

Specification Drainage

SD0917 Customer Guide – CANADA



ZURN.COM US 1.855.ONE.ZURN CANADA 1.877.892.5216



Effective September 1, 2017
Replaces All Previous Price Lists

INTRODUCTION

TABLE OF CONTENTS - BY SECTION	2
🕒 STABILIZER SOLUTIONS	7
🕒 THE RACE FOR TIME - Z1231-EZ	8
ZS880 STAINLESS STEEL LINEAR SHOWER DRAIN	9
🕒 ZURN TOP-SET® DECK PLATE	10
🕒 Z130 SIPHONIC ROOF DRAIN WITH DECK PLATE	11
GREEN ROOFING DRAINAGE SOLUTIONS	13
🕒 Z1072 - ZSHIELD™ FLOOR DRAIN BARRIER TRAP SEAL	14
🕒 A PERFECT FIT: Z1322XL-EZ AND Z1332XL-EZ ECOLOTROL™ WALL HYDRANTS	15
🕒 EZ HYDRANTS: Z1327-EZ, Z1350-EZ, Z1320XL-EZ	16
ZURN BARIATRIC PROVIDES SUPERIOR PERFORMANCE	17
🕒 Z1222-CB CARRIER BANK	19
CUSTOMER GUIDE INSTRUCTIONS	20
TYPICAL PRODUCT PAGE NAVIGATION	20
ABBREVIATIONS USED IN THIS CUSTOMER GUIDE	21

TABLE OF CONTENTS - BY SECTION

PRODUCT HIGHLIGHT

☉ STABILIZER SOLUTIONS	7
☉ THE RACE FOR TIME - Z1231-EZ	8
ZS880 STAINLESS STEEL LINEAR SHOWER DRAIN	9
☉ ZURN TOP-SET® DECK PLATE	10
☉ Z130 SIPHONIC ROOF DRAIN WITH DECK PLATE	11
GREEN ROOFING DRAINAGE SOLUTIONS	13
☉ Z1072 - ZSHIELD™ FLOOR DRAIN BARRIER TRAP SEAL	14
☉ A PERFECT FIT: Z1322XL-EZ AND Z1332XL-EZ ECOLOTROL™ WALL HYDRANTS	15
☉ EZ HYDRANTS: Z1327-EZ, Z1350-EZ, Z1320XL-EZ	16
ZURN BARIATRIC PROVIDES SUPERIOR PERFORMANCE	17
☉ Z1222-CB CARRIER BANK	19
CUSTOMER GUIDE INSTRUCTIONS	20
TYPICAL PRODUCT PAGE NAVIGATION	20
ABBREVIATIONS USED IN THIS CUSTOMER GUIDE	21

ROOF DRAINS

ROOF DRAIN - PRODUCT COMPLIANCE	24
ROOF DRAIN - GENERAL INFORMATION	24
ROOF DRAIN - APPLICATION INDEX	24
Z100 15" [381 MM] DIAMETER MAIN ROOF DRAIN WITH HIGH PROFILE DOME	25
Z101 HIGH CAPACITY 20" [508 MM] DIAMETER MAIN ROOF DRAIN WITH LOW SILHOUETTE DOME	26
☉ Z103 15" [381 MM] DIAMETER DEEP SUMP DUAL OUTLET ROOF DRAIN WITH LOW SILHOUETTE DOME	26
☉ Z103-45 45° 15" [381 MM] DIAMETER DEEP SUMP DUAL OUTLET ROOF DRAIN WITH LOW SILHOUETTE DOME	27
Z104 15" [381 MM] DIAMETER DEEP SUMP ROOF DRAIN WITH LOW SILHOUETTE DOME	28
Z105 CONTROL-FLO™ ROOF DRAIN WITH PARABOLIC WEIR	29
Z107 20" [508 MM] WIDE DECK FLANGE ROOF DRAIN	30
Z108 15" [381 MM] DIAMETER DECK RECEPTOR DRAIN	31
Z110 15" [381 MM] GREEN ROOF DRAIN WITH PERFORATED SCREEN ASSEMBLY, AND REMOVABLE COVER WITH LIFT HANDLE	32
Z110-AI GREEN ROOF DRAIN WITH PERFORATED SCREEN ASSEMBLY, REMOVABLE COVER WITH LIFT HANDLE, AND AUXILIARY INLET	33
Z111 12" [305 MM] DIAMETER FLAT DECK ROOF DRAIN FOR METAL DECKS	34
Z121 12" [305 MM] DIAMETER ROOF DRAIN LOW SILHOUETTE DOME	35
ZCF121 12" [305 MM] DIAMETER ROOF DRAIN	36
Z122 12" [305 MM] DIAMETER DECK RECEPTOR DRAIN	37

Z125 8-3/8" [203 MM] DIAMETER ROOF DRAIN LOW SILHOUETTE DOME	38
Z127 8-1/2" [216 MM] DIAMETER DECK RECEPTOR DRAIN	39
Z129 8" [203 MM] MAIN ROOF DRAIN	40
ZCF129 8" [203 MM] CONTROL ROOF DRAIN	40
☉ Z130 14-9/32" [203 MM] DIAMETER SIPHONIC MAIN ROOF DRAIN	41
☉ Z131 14-9/32" [363 MM] DIAMETER SIPHONIC OVERFLOW ROOF DRAIN	41
Z135-6 8" [203 MM] MAIN ROOF DRAIN FOR CONVENTIONAL INVERTED PROMENADE DECK ROOF	42
Z150 14" [356 MM] SQUARE TOP PROM-DECK DRAIN WITH HEEL-PROOF GRATE AND ROTATABLE FRAME	43
Z154 12" [305 MM] SQUARE TOP PROM-DECK DRAIN WITH HEEL-PROOF GRATE AND ROTATABLE FRAME	44
Z158 10" [254 MM] SQUARE TOP PROM-DECK DRAIN WITH HEEL-PROOF GRATE AND ROTATABLE FRAME	45
Z160 135° SCUPPER DRAIN	46
Z161 3" X 10" [76 MM X 254 MM] OBLIQUE SCUPPER DRAIN	46
☉ Z163 15" [381 MM] DIAMETER COMBINATION MAIN ROOF AND OVERFLOW DRAIN WITH LOW SILHOUETTE DOMES AND DOUBLE TOP-SET® DECK PLATE	47
☉ Z164 12" [305 MM] DIAMETER COMBINATION MAIN ROOF AND OVERFLOW DRAIN WITH LOW SILHOUETTE DOMES AND DOUBLE TOP-SET® DECK PLATE	48
☉ Z165 8-3/8" [213 MM] DIAMETER COMBINATION MAIN ROOF AND OVERFLOW DRAIN WITH LOW SILHOUETTE DOMES AND DOUBLE TOP-SET® DECK PLATE	49
Z180 4-1/2" [114 MM] DIAMETER CORNICE DRAIN WITH BOTTOM OUTLET	49
Z181 6" [152 MM] DIAMETER CORNICE DRAIN WITH BOTTOM OUTLET	50
Z182 4-1/2" [114 MM] DIAMETER CORNICE DRAIN WITH 90° OUTLET	50
Z185 6" [152 MM] DIAMETER CORNICE DRAIN WITH 90° OUTLET	51
Z187 6" X 7" [152 MM X 178 MM] OR 8" X 12" [203 MM X 305 MM] OBLIQUE SCUPPER DRAIN	51
Z189 5" X 6" X 11" [127 MM X 152 MM X 279 MM] SCUPPER DRAIN	52
Z190 VERTICAL EXPANSION JOINT	52
Z191 5" X 4" X 24" [127 MM X 102 MM X 610 MM] DOWNSPOUT BOOT	53
Z191-RD 4" X 18" [127 MM X 457 MM] DOWNSPOUT BOOT	53
Z192 4" X 3" [102 MM X 76 MM] DOWNSPOUT BOOT	54
Z193 VANDAL-PROOF HOODED VENT CAP	54
Z195 VENT STACK FLASHING SLEEVE	55
Z196 VENT STACK FLASHING SLEEVE	55
Z197 RISER SLEEVE	56
Z198 PARAPET SCUPPER SLEEVE	56
Z199 DOWNSPOUT NOZZLE	57
Z199-DC DOWNSPOUT COVER	58

FLOOR DRAINS

FLOOR DRAINS - GENERAL INFORMATION	61
FLOOR DRAINS - APPLICATION INDEX	61
Z211 FLOOR DRAIN BODY ONLY	62
Z211-A FLOOR DRAIN WITH ROUND STRAINER	62
ZN211-B FLOOR AND SHOWER DRAIN WITH ROUND NICKEL BRONZE STRAINER	63
ZN211-BE ROUND FUNNEL NICKEL BRONZE FLOOR DRAIN	63
ZN211-BF OVAL OPEN THROAT FUNNEL NICKEL BRONZE FLOOR DRAIN	64
ZXN211-H FLOOR DRAIN WITH HEAVY DUTY SQUARE STRAINER	64
Z211-Y FLOOR DRAIN WITH SQUARE HEAVY-DUTY STRAINER	65
Z300 THOROFUSH DRAIN	65
Z310 THOROFUSH DRAIN	66
Z315 VANDAL-PROOF ACCESS DRAIN	66
Z319 THOROFUSH DRAIN - LARGE CAPACITY	67
Z320 REFRIGERATOR DRAIN	67
Z325 INDIRECT WASTE FUNNEL WITH INTEGRAL BACKWATER VALVE	68
Z326 INDIRECT WASTE FUNNEL	68
Z349 TERRACE PLANTING AREA DRAIN	69
Z350 PLANTING AREA DRAIN	69
Z355 PRISON CELL FLOOR DRAIN	70
ZXN400 "TYPE A" HEAVY-DUTY NICKEL BRONZE ROUND STRAINER	70
ZX400 "TYPE A" HEAVY-DUTY CAST IRON STRAINER	71
ZN400 "TYPE B" ROUND STRAINER WITH HEEL-PROOF SQUARE OPENINGS	71
ZS400 "TYPE B" ROUND STAINLESS STEEL STRAINER	72
ZS400 "TYPE BS" ROUND STRAINER WITH SLOTTED OPENINGS	72
ZN400 "TYPE BF" ROUND NICKEL BRONZE STRAINER WITH OVAL FUNNEL - OPEN THROAT	73
Z400 "TYPE BL" ROUND STRAINER WITH DEX-O-TEX FLANGE	73
☉ Z400 "TYPE BZ" ROUND LEVELING STRAINER WITH SQUARE OPENINGS	74
Z400 "TYPE C" ROUND HINGED STRAINER	74
Z400 "TYPE D" ROUND STRAINER WITH SOLID HINGED COVER	75
Z400 "TYPE E" ROUND STRAINER WITH INTEGRAL FUNNEL	75
Z400 "TYPE G" ROUND STRAINER WITH DOME	76
ZXN400 "TYPE H" HEAVY-DUTY SQUARE ADJUSTABLE STRAINER	76
Z400 "TYPE I" ROUND STRAINER WITH RAISED LIP	77
Z400 "TYPE J" RECTANGULAR STRAINER WITH HEEL-PROOF SLOTTED OPENINGS	78

TABLE OF CONTENTS - BY SECTION

Z400 "TYPE K" ANGULAR STRAINER	79	Z415 BODY ASSEMBLY WITH "TYPE K" STRAINER	104	Z534 12-1/4" [311 MM] DIAMETER HEAVY-DUTY PARKING DECK DRAIN WITH SUPPORT FLANGE	137
Z400 "TYPE M" ROUND STRAINER WITH SLOTTED OPENINGS AND SUR-SET BUCKET	79	Z415 BODY ASSEMBLY WITH "TYPE M" STRAINER AND SUR-SET BUCKET	105	Z535 HEAVY-DUTY PARKING STRUCTURE DRAIN	137
Z400 "TYPE N" ROUND STRAINER WITH DEEP FLANGED GRATE	80	Z415 BODY ASSEMBLY WITH "TYPE N" STRAINER	106	Z536-8 8" [203 MM] DIAMETER HEAVY-DUTY ADJUSTABLE FLOOR DRAIN	138
ZN400 "TYPE R" CIRCULAR ADJUSTABLE STRAINER WITH SURFACE CLAMP RING AND GRATE	80	ZN415-R FLOOR DRAIN WITH CIRCULAR ADJUSTABLE STRAINER WITH SURFACE CLAMP RING AND GRATE	107	Z536 15-3/8" [391 MM] DIAMETER HEAVY-DUTY PARKING DECK DRAIN WITH SUPPORT FLANGE	138
Z400 "TYPE S" SQUARE STRAINER	81	Z415 BODY ASSEMBLY WITH "TYPE S" STRAINER	108	Z537 15-7/8" [403 MM] SQUARE TOP HEAVY-DUTY PARKING DECK DRAIN WITH SUPPORT FLANGE	139
ZS400 "TYPE SS" SQUARE STRAINER	81	Z415 BODY ASSEMBLY WITH "TYPE SC" STRAINER	110	Z539 12-1/4" [311 MM] HEAVY-DUTY DRAIN WITH DEEP SUMP	140
Z400 "TYPE SC" SQUARE STRAINER WITH SOLID HINGED COVER	82	Z415 BODY ASSEMBLY WITH "TYPE SH" STRAINER	111	Z540 12-1/4" [311 MM] MEDIUM-DUTY DRAIN WITH SUR-SET BUCKET	141
Z400 "TYPE SH" SQUARE HINGED STRAINER	82	Z415 BODY ASSEMBLY WITH "TYPE SL" STRAINER	112	Z541 12-1/4" [311 MM] DIAMETER HEAVY-DUTY DRAIN	142
Z400 "TYPE SL" SQUARE STRAINER WITH DEX-O-TEX FLANGE	83	⌚ Z415 BODY ASSEMBLY WITH "TYPE SZ" LEVELING STRAINER	113	Z545 16" DIAMETER HEAVY-DUTY DRAIN	143
⌚ Z400 "TYPE SZ" SQUARE LEVELING STRAINER WITH SLOTTED OPENINGS	83	Z415-U BODY ASSEMBLY WITH "TYPE U" HUB FUNNEL	114	Z546 21-1/2" [546 MM] DIAMETER EXTRA HEAVY-DUTY DRAIN	144
⌚ Z400-SR FLOOR DRAIN STABILIZER RING	84	ZN415-Y FLOOR DRAIN WITH NICKEL BRONZE SQUARE STRAINER	115	Z547 21" [533 MM] DIAMETER EXTRA HEAVY-DUTY HEEL-PROOF PARKING DECK DRAIN WITH SUPPORT FLANGE	144
Z400-U ADJUSTABLE STRAINER EXTENSION	84	ZX(N)415-Y8 FLOOR DRAIN WITH HEAVY-DUTY SQUARE ADJUSTABLE CAST IRON STRAINER	116	Z550 9" [229 MM] DIAMETER MEDIUM-DUTY DRAIN	145
⌚ Z400-18 LEVELING RING	84	Z420 DEEP SHANK FLOOR AND SHOWER DRAIN FOR MARBLE AND GRANITE APPLICATIONS	117	Z551 9" [229 MM] DIAMETER MEDIUM-DUTY DRAIN	146
Z400 "TYPE Y" SQUARE STRAINER	85	Z450 DRUM TRAP DRAIN WITH "TYPE B" STRAINER	118	Z554 9" [229 MM] MEDIUM-DUTY DRAIN WITH SUR-SET BUCKET	146
ZSS400 "TYPE Y" SQUARE STAINLESS STEEL STRAINER	85	Z451 SHALLOW TRAP DRAIN WITH "TYPE B" STRAINER	119	Z555 8" [203 MM] HEAVY-DUTY FLOOR DRAIN WITH DEEP ANTI-TILT GRATE	147
ZXN400 "TYPE Y" HEAVY-DUTY SQUARE ADJUSTABLE STRAINER	85	Z453 DEEP SEAL TRAP DRAIN WITH "TYPE B" STRAINER	120	Z556 8" [203 MM] ADJUSTABLE HEAVY-DUTY DRAIN	148
⌚ ZC400B-DC ROUND FLOOR DRAIN DEBRIS COVER	86	Z455 TRAP DRAIN WITH FLOOR CLEANOUT WITH "TYPE B" STRAINER	121	Z566 12" [305 MM] SQUARE OPEN TOP DRAIN	149
⌚ ZC400S-DC SQUARE FLOOR DRAIN DEBRIS COVER	86	Z456 DEEP SEAL TRAP DRAIN WITH FLOOR CLEANOUT AND CLAMP COLLAR WITH "TYPE B" STRAINER	122	Z575 6" X 12" [152 MM X 305 MM] MEDIUM-DUTY GUTTER DRAIN	149
Z414 4" [102 MM] ROUND FUNNEL	87	Z460B SHALLOW BODY FLOOR DRAIN WITH SIDE OUTLET AND "TYPE B" STRAINER	123	Z587 12-1/4" X 9-1/2" [311 MM X 241 MM] MEDIUM-DUTY DRAIN	150
Z414-1 3-1/2" X 9" [89 MM X 229 MM] OVAL FUNNEL	87	Z461 6" [152 MM] SQUARE MODULAR NON-ADJUSTABLE FLOOR DRAIN WITH CLAMPING FRAME	124	Z609 9" [229 MM] SQUARE HEAVY-DUTY DRAIN	151
Z415 FLOOR DRAIN BODY WITH CLAMPING COLLAR	88	Z503 15" [381 MM] HEAVY-DUTY AREA DRAIN	124	Z610 12-1/2" [318 MM] HEAVY-DUTY DRAIN	152
ZX415-A FLOOR DRAIN WITH HEAVY-DUTY ROUND STRAINER	89	Z505 12" [305 MM] HEAVY-DUTY DRAIN	125	Z610-ADJ 12" [305 MM] SQUARE HEAVY-DUTY ADJUSTABLE DRAIN	153
ZXN415-A FLOOR DRAIN WITH HEAVY-DUTY ROUND STRAINER	90	Z507 7" [178 MM] MEDIUM-DUTY DRAIN	126	Z611 9" [229 MM] MEDIUM-DUTY DRAIN	154
ZN415-B FLOOR AND SHOWER DRAIN WITH ROUND STRAINER	91	Z508 9" [229 MM] EXTRA-HEAVY-DUTY DRAIN	127	Z624 ISOLATION DECK DRAIN	155
ZN415-BE FUNNEL FLOOR DRAIN	92	Z509 12" [305 MM] HEAVY-DUTY DRAIN	128	Z625 ADJUSTABLE ISOLATION DECK DRAIN	155
ZN415-BF OVAL FUNNEL FLOOR DRAIN	93	Z511 9" [229 MM] HEAVY-DUTY DRAIN	129	Z627 HEAVY-DUTY ADJUSTABLE ISOLATION DECK DRAIN	156
ZS415 BODY ASSEMBLY WITH "TYPE BS" STRAINER	94	Z512 12-1/4" [311 MM] HEAVY-DUTY DRAIN	130	Z629 VERTICAL WALL DRAIN WITH BACKWATER VALVE	157
Z415 BODY ASSEMBLY WITH "TYPE BL" STRAINER	95	Z513 9" [229 MM] SQUARE HINGED HEAVY-DUTY DRAIN	131	Z662 16" [406 MM] HEAVY-DUTY DRAIN	158
⌚ Z415 BODY ASSEMBLY WITH "TYPE BZ" LEVELING STRAINER	96	Z520 9" [229 MM] ADJUSTABLE HEAVY-DUTY DRAIN	132	Z662-HF 16" [406 MM] HEAVY-DUTY DRAIN WITH HIGH FLOW DUCTILE IRON GRATE	159
Z415 BODY ASSEMBLY WITH "TYPE C" STRAINER	97	Z521 12" [305 MM] DIAMETER ADJUSTABLE HEAVY-DUTY DRAIN	133	Z664 6" [152 MM] WIDE HEAVY-DUTY MODULAR TRENCH DRAIN	160
Z415 BODY ASSEMBLY WITH "TYPE D" STRAINER	98	Z526 12" [305 MM] ADJUSTABLE HEAVY-DUTY DRAIN	134	Z665 12" [305 MM] WIDE HEAVY-DUTY MODULAR TRENCH DRAIN	161
Z415 BODY ASSEMBLY WITH "TYPE E" STRAINER	99	Z530 9" [229 MM] MEDIUM-DUTY WIDE FLANGE DECK DRAIN	135	Z667 6" [152 MM] WIDE MEDIUM-DUTY MODULAR TRENCH DRAIN	162
Z415 BODY ASSEMBLY WITH "TYPE G" STRAINER	100	Z531 9" [229 MM] ADJUSTABLE FRAME WIDE FLANGE MEDIUM-DUTY DECK DRAIN	135	Z668 11-1/4" X 19-1/4" [279 MM X 483 MM] HEAVY-DUTY DRAIN	162
ZXN415-H FLOOR DRAIN WITH HEAVY-DUTY SQUARE GRATE	101	Z532 12-1/4" [311 MM] DIAMETER WIDE FLANGE HEAVY-DUTY FLOOR DRAIN	136		
Z415 BODY ASSEMBLY WITH "TYPE I" STRAINER	102	Z533 9" [229 MM] DIAMETER HEAVY-DUTY PARKING DECK DRAIN WITH SUPPORT FLANGE	136		
Z415 BODY ASSEMBLY WITH "TYPE J" HEEL-PROOF STRAINER	103				

TABLE OF CONTENTS - BY SECTION

Z673 29" X 30" [737 MM X 762 MM] EXTRA HEAVY-DUTY DRAIN	163
Z675 13-1/2" [343 MM] EXTRA HEAVY-DUTY DRAIN	163
Z676 13-1/2" [343 MM] EXTRA HEAVY-DUTY DRAIN	164
Z730 9" [229 MM] TOP MEDIUM-DUTY DRAIN	165
Z742 LIGHT-DUTY TRAP DRAIN	166
Z761 12-1/2" X 12-1/2" [318 MM X 318 MM] HEAVY-DUTY DRAIN	167
ZF799 HEAVY-DUTY CATCH BASIN DRAIN	168
VP-DRIVER VANDAL-PROOF DRIVER	168

TRAPS, PRIMERS, AND BACKWATER VALVES

TRAPS, PRIMERS, AND BACKWATER VALVES – APPLICATION INDEX	170
TRAPS, PRIMERS, AND BACKWATER VALVES – OPTIONS AND VARIATIONS	170
Z1072 ZSHIELD™ BARRIER TRAP SEAL DEVICE FOR FLOOR DRAINS	171
Z1000 DEEP SEAL TRAP	172
Z1005 DEEP SEAL TRAP WITH ADJUSTABLE COVER	172
Z1012 DEEP SEAL TRAP WITH FLOOR CLEANOUT	173
Z1019 FUNNEL DRAIN WITH "P" TRAP	173
Z1020-XL ELECTRONIC TRAP PRIMER	174
Z1021 WATER SAVER TRAP PRIMER WITH 1-1/2" [38 MM] COPPER SWEAT WALL CONNECTION	174
Z1022-XL LEAD-FREE SANI-GARD AUTOMATIC TRAP PRIMER	175
Z1023 TRAP PRIMER CONNECTION ADAPTER	175
Z1024 FIXED AIR GAP	176
Z1025 FIXED AIR GAP	176
Z1030 HUB ADAPTER	177
Z1032 INSIDE CAULK REDUCER	177
Z1033 FEMALE PIPE THREAD REDUCER	178
Z1034 FEMALE PIPE ECCENTRIC REDUCER	178
⌚ Z1035 FLOOR DRAIN INSTALLATION STABILIZER	179
⌚ Z1035-Q STRUCTURAL DECK DRAIN STABILIZER	179
⌚ Z1036 FLOOR DRAIN INSTALLATION STABILIZER	180
Z1040 NO-HUB ADAPTER	180
Z1042 ELBOW ADAPTER	181
Z1088 BACKWATER VALVE GATE TYPE	181
Z1090 BACKWATER VALVE FLAPPER TYPE	182
Z1091 BACKWATER VALVE FLAPPER TYPE	182
Z1095 BACKWATER VALVE FLAPPER TYPE	183
Z1095-15 BACKWATER VALVE WITH FLOOR LEVEL CLEANOUT	183
Z1099 BACKWATER VALVE BALL FLOAT TYPE	184

INTERCEPTORS

INTERCEPTORS – GENERAL INFORMATION	186
INTERCEPTORS – APPLICATION INDEX	186
GREASE INTERCEPTORS – PURPOSE	186
GREASE INTERCEPTORS – OPERATION	187
Z1165 100 PPM GREASE INTERCEPTOR SYSTEM WITH SOLIDS INTERCEPTOR	188
Z1170 GREASE INTERCEPTOR	189
Z1170-UN GREASE INTERCEPTOR WITH USER NOTIFICATION SYSTEM	190
Z1171 LOW PROFILE GREASE INTERCEPTOR	191
Z1171-TD LOW PROFILE GREASE INTERCEPTOR WITH ACCUMULATING CONE AND FLOW CONTROL TEE	192
Z1172 LARGE CAPACITY GREASE INTERCEPTOR	193
Z1172-UN LARGE CAPACITY GREASE INTERCEPTOR WITH USER NOTIFICATION SYSTEM	194
Z1173 EJECTO-MATIC GREASE INTERCEPTOR	195
Z1173-TD EJECTO-MATIC GREASE INTERCEPTOR WITH GREASE ACCUMULATING CONE AND IN-LINE SHUTOFF VALVE	196
Z1174 GREASE EATING BACTERIA DOSING UNIT AND SOLIDS INTERCEPTOR COMBINATION	197
SOLIDS INTERCEPTORS – GENERAL PRODUCT INFORMATION	198
SOLIDS INTERCEPTORS – APPLICATION INDEX	198
SOLIDS INTERCEPTORS – SIZING	198
Z1175 HAIR INTERCEPTOR	199
Z1176 HAIR INTERCEPTOR	199
Z1180 SOLIDS INTERCEPTOR	200
Z1181 SOLIDS INTERCEPTOR	200
Z1182 SIDE ACCESS SOLIDS INTERCEPTOR	201
Z1183 SOLIDS INTERCEPTOR	201
Z1183-DF SOLIDS INTERCEPTOR WITH DISPOSABLE FILTER BAGS	202
Z1183-FC SOLIDS INTERCEPTOR WITH FLUSH COVER	203
Z1184 BOTTOM ACCESS SOLIDS INTERCEPTOR	204
Z1185 LINT INTERCEPTOR	205
OIL INTERCEPTORS – GENERAL PRODUCT INFORMATION	206
OIL INTERCEPTORS – APPLICATION INDEX	206
Z1186 OIL INTERCEPTOR	207
Z1186-ST OIL INTERCEPTOR WITH INTEGRAL STORAGE TANK	208
Z1187 SAND AND SEDIMENT INTERCEPTOR	209
Z1187-SI SAND INTERCEPTOR	210
Z1188 LARGE CAPACITY OIL INTERCEPTOR	211
Z1188-ST LARGE CAPACITY OIL INTERCEPTOR WITH INTEGRAL STORAGE TANK	212
Z1189 OIL/SEDIMENT INTERCEPTOR WITH HEAVY-DUTY GRATE	213

Z1194 OIL LEVEL SENSOR RETROFIT KIT	214
Z1196 OIL INTERCEPTOR WITH OIL LEVEL SENSOR	215
Z1198 LARGE CAPACITY OIL INTERCEPTOR WITH OIL LEVEL SENSOR	216
Z1198-ST LARGE CAPACITY OIL INTERCEPTOR WITH INTEGRAL STORAGE TANK AND OIL LEVEL FLOAT SENSOR	217

CARRIER SYSTEMS

CARRIER – APPLICATION INDEX	220
CARRIER – PRODUCT COMPLIANCE	220
CARRIER – TECHNICAL DATA	220
CARRIER – HOW TO SPECIFY	220
Z1200 CARRIER TOOLS AND ACCESSORIES	222
⌚ Z1201-N EZCARRY® ADJUSTABLE HORIZONTAL HIGH PERFORMANCE SIPHON JET – NO-HUB SERIES	224
⌚ Z1201-H EZCARRY® ADJUSTABLE HORIZONTAL HIGH PERFORMANCE SIPHON JET – HUB AND SPIGOT SERIES	226
Z1201-N-XB EZCARRY® BARIATRIC CARRIER – 1000 LB ADJUSTABLE HORIZONTAL SIPHON JET – NO-HUB SERIES	228
Z1201-N-XH EZCARRY® EXTRA HEAVY-DUTY 750 LB ADJUSTABLE HORIZONTAL SIPHON JET – NO-HUB SERIES	229
⌚ ZE1201-N EZCARRY® ADJUSTABLE HORIZONTAL SIPHON JET WITH ELONGATED FITTING – NO-HUB SERIES	230
⌚ ZE1201-H EZCARRY® ADJUSTABLE HORIZONTAL SIPHON JET WITH ELONGATED FITTING – HUB AND SPIGOT SERIES	232
⌚ ZF1201-N EZCARRY® HORIZONTAL SIPHON JET ONE-PIECE CARRIER – NO-HUB SERIES	234
⌚ ZN1201-N EZCARRY® ADJUSTABLE HORIZONTAL SIPHON JET – NO-HUB NARROW WALL SYSTEM (9-3/8" DEPTH FRONT TO BACK)	235
⌚ Z1202-N EZCARRY® ADJUSTABLE VERTICAL HIGH PERFORMANCE SIPHON JET – NO-HUB SERIES	236
⌚ Z1202-H EZCARRY® ADJUSTABLE VERTICAL HIGH PERFORMANCE SIPHON JET – HUB AND SPIGOT SERIES	238
Z1202-N-XB EZCARRY® BARIATRIC CARRIER – 1000 LB ADJUSTABLE VERTICAL SIPHON JET – NO-HUB SERIES	240
Z1202-N-XH EZCARRY® EXTRA HEAVY-DUTY 750 LB ADJUSTABLE VERTICAL SIPHON JET – NO-HUB SERIES	241
⌚ ZF1202-N EZCARRY® VERTICAL SIPHON JET ONE-PIECE CARRIER – NO-HUB SERIES	242
⌚ ZN1202-N EZCARRY® ADJUSTABLE VERTICAL SIPHON JET – NO-HUB NARROW WALL SYSTEM	243
Z1203-N ADJUSTABLE HORIZONTAL SIPHON JET – NO-HUB SERIES	244
Z1203-H ADJUSTABLE HORIZONTAL SIPHON JET – HUB AND SPIGOT SERIES	246
⌚ ZE1203-N ADJUSTABLE HORIZONTAL SIPHON JET WITH ELONGATED FITTING – NO-HUB SERIES	248
⌚ ZE1203-H ADJUSTABLE HORIZONTAL SIPHON JET WITH ELONGATED FITTING – HUB AND SPIGOT SERIES	250

TABLE OF CONTENTS - BY SECTION

Z1204-H ADJUSTABLE VERTICAL SIPHON JET – HUB AND SPIGOT SERIES	252	Z1284 CONCRETE FLOOR SUPPORTED WATER CLOSET CARRIER	278	Z1388XL ROOF HYDRANT – EXPOSED HEAD, NON-FREEZE	296
Z1204-N ADJUSTABLE VERTICAL SIPHON JET – NO-HUB SERIES	254	Z1285 WOOD STUD SUPPORTED WATER CLOSET CARRIER	279	Z1390 POST HYDRANT – EXPOSED HEAD, NON-FREEZE	296
Z1207-N ADJUSTABLE HORIZONTAL HIGH ROUGH-IN SIPHON JET – NO-HUB	256	Z1290 EASTERN STYLE WATER CLOSET	280	Z1395XL YARD HYDRANT – EXPOSED HEAD, NON-FREEZE	297
Z1208-N VERTICAL SIPHON JET WATER CLOSET SUPPORT SYSTEM – NO-HUB	257	HYDRANTS		Z1397XL FLO-TROL YARD HYDRANT – EXPOSED HEAD, NON-FREEZE	298
Z1208-H VERTICAL SIPHON JET WATER CLOSET SUPPORT SYSTEM – HUB AND SPIGOT	258	HYDRANTS – APPLICATION INDEX			282
Z1209-N VERTICAL OFFSET SIPHON JET WATER CLOSET SUPPORT SYSTEM – NO-HUB	259	Z1300 ECOLOTROL WALL HYDRANT – ENCASED, NON-FREEZE, ANTI-SIPHON, AUTOMATIC DRAINING	283	CLEANOUTS	
Z1209-N VERTICAL OFFSET SIPHON JET – NO-HUB NARROW WALL SYSTEM	260	Z1305 WALL HYDRANT – ENCASED, NON-FREEZE	283	CLEANOUTS – APPLICATION INDEX	
Z1212 WALL CLOSET SUPPORT SYSTEM	261	Z1310 ECOLOTROL WALL HYDRANT- EXPOSED, NON-FREEZE, ANTI-SIPHON, AUTOMATIC DRAINING	284	Z1400 EXTRA HEAVY-DUTY "LEVEL-TROL" ADJUSTABLE FLOOR CLEANOUT	301
Z1213-N 4" VERTICAL SIPHON JET WATER CLOSET SUPPORT SYSTEM – 2" OR 4" TOP VENT CLOSET FITTING ONLY (NO SUPPORT)	262	Z1315 WALL HYDRANT – EXPOSED, NON-FREEZE	284	☉ Z1400-BZ "LEVEL-TROL" ADJUSTABLE LEVELING FLOOR CLEANOUT	302
Z1216 90° DOUBLE NO-HUB SYSTEM FOR FLOOR MOUNTED BACK OUTLET WATER CLOSETS	263	Z1320XL ECOLOTROL CERAMIC DISC WALL HYDRANT – ENCASED, NON-FREEZE, ANTI-SIPHON, AUTOMATIC DRAINING	285	☉ Z1400-SZ "LEVEL-TROL" SQUARE ADJUSTABLE LEVELING FLOOR CLEANOUT	303
Z1217 COUPLING TYPE SYSTEM – WALL URINAL/SERVICE SINK	264	☉ Z1320XL-EZ ECOLOTROL CERAMIC DISC WALL HYDRANT – ENCASED, NON-FREEZE, ANTI-SIPHON, AUTOMATIC DRAINING	285	Z1400-K HEAVY-DUTY "LEVEL-TROL" ADJUSTABLE FLOOR CLEANOUT WITH ANCHOR FLANGE	304
Z1218 COUPLING TYPE SYSTEM – WALL URINAL/SERVICE SINK	265	Z1321XL ECOLOTROL CERAMIC DISC WALL HYDRANT – EXPOSED, NON-FREEZE, ANTI-SIPHON, AUTOMATIC DRAINING	286	Z1402 HEAVY-DUTY NON-ADJUSTABLE FLOOR CLEANOUT	305
Z1221 PLATE TYPE SYSTEM – WALL URINALS	266	☉ Z1322XL-EZ ECOLOTROL CERAMIC DISC WALL HYDRANT – EXPOSED, NON-FREEZE, ANTI-SIPHON, AUTOMATIC DRAINING	287	Z1404 HEAVY-DUTY FLOOR ACCESS HOUSING	306
Z1222 PLATE TYPE SYSTEM – WITH BEARING PLATE	266	Z1325 WALL HYDRANT – ENCASED, VARI-TEMP, NON-FREEZE	288	Z1406 HEAVY-DUTY ADJUSTABLE SPIGOT CLEANOUT	307
Z1223 PLATE TYPE SYSTEM – TROUGH URINALS	267	☉ Z1327-EZ NARROW WALL HOT/COLD HYDRANT WITH MOUNTING BRACKETS – ENCASED, MODERATE CLIMATE	288	Z1440 CLEANOUT FERRULE WITH PLUG	308
Z1224 PLATE TYPE SYSTEM – LAVATORY WITH BACK	267	Z1330XL ECOLOTROL CERAMIC DISC WALL HYDRANT – ENCASED, ANTI-SIPHON, AUTOMATIC DRAINING, MODERATE CLIMATE	289	Z1445 CLEANOUT TEE	308
Z1225 PLATE TYPE SYSTEM – WATER COOLERS	268	☉ Z1332XL-EZ ECOLOTROL CERAMIC DISC WALL HYDRANT – ENCASED, ANTI-SIPHON, AUTOMATIC DRAINING, MODERATE CLIMATE	289	Z1449 CLEANOUT FERRULE WITH PLUG	309
Z1229 PLATE AND EXPOSED ARM – HEAVY SINKS	268	Z1333XL ECOLOTROL CERAMIC DISC WALL HYDRANT – EXPOSED, ANTI-SIPHON, AUTOMATIC DRAINING, MODERATE CLIMATE	290	Z1454 ADJUSTABLE FLOOR CLEANOUT WITH FLASHING FLANGE	309
Z1231 CONCEALED ARM SYSTEM – WALL LAVATORIES	269	Z1335 WALL HYDRANT – ENCASED, MODERATE CLIMATE	290	Z1456 DECK CLEANOUT	310
☉ Z1231-EZ CONCEALED ARM SYSTEM – WALL LAVATORIES	269	Z1350 NARROW WALL HYDRANT – ENCASED, MODERATE CLIMATE	291	Z1457 FLOOR ACCESS COVER	310
☉ Z1231-EZR CONCEALED ARM SYSTEM – FOR WALL LAVATORIES WITH ADJUSTABLE UPRIGHTS AND HEADER PLATES	270	☉ Z1350-EZ NARROW WALL HYDRANT WITH MOUNTING BRACKETS – ENCASED, MODERATE CLIMATE	291	Z1460 SQUARE WALL ACCESS PANEL	311
Z1236 EXPOSED ARM SYSTEM – WALL LAVATORIES/SINKS	271	Z1360XL GROUND HYDRANT – ENCASED, FLUSH TYPE, NON-FREEZE	292	Z1461 SQUARE HINGED ACCESS PANEL	311
Z1251 CONCEALED ARM SYSTEM – WALL SUPPORTED	272	Z1365 GROUND HYDRANT – ENCASED, FLUSH TYPE, NON-FREEZE	293	Z1462 SECURED WALL ACCESS PANEL	312
Z1253 ADJUSTABLE CONCEALED ARM SYSTEM – WALL SUPPORTED	272	Z1370 GROUND HYDRANT – ENCASED, HOSE STORAGE, NON-FREEZE	294	Z1463 ROUND SCORIATED ACCESS COVER	312
Z1255 EXPOSED ARM SYSTEM – WALL SUPPORTED	273	Z1375 GROUND HYDRANT – ENCASED, MODERATE CLIMATE, INTERIOR USE	295	Z1464 WATER SUPPLY CONTROL BOX ASSEMBLY	313
Z1256 EXPOSED ARM SYSTEM – WALL SUPPORTED	274	Z1385 POST HYDRANT – EXPOSED HEAD, NON-FREEZE	295	Z1468 ACCESS COVER AND PLUG	313
Z1257 EXPOSED ARM SYSTEM – WALL SUPPORTED	274			Z1469 ROUND ACCESS COVER	314
Z1258 EXPOSED ARM SYSTEM – WALL SUPPORTED	275			Z1470 BRONZE CLEANOUT PLUG	314
Z1259 PLATE SYSTEM – WALL SUPPORTED	276			Z1471 AIR INLET	315
Z1280 WOOD STUD SUPPORTED WATER CLOSET CARRIER – NO-HUB	277			Z1474 HEAVY-DUTY CLEANOUT HOUSING	315
Z1282 WOOD STUD SUPPORTED WATER CLOSET CARRIER – HUB AND SPIGOT	277			Z1602 ADJUSTABLE ROUND MEDIUM-DUTY NICKEL BRONZE CLEANOUT	316
Z1283 WOOD STUD SUPPORTED WATER CLOSET CARRIER – PLASTIC PIPE	278			Z1612 ADJUSTABLE ROUND HEAVY-DUTY NICKEL BRONZE CLEANOUT	316
				Z1615 CAST IRON LINE OR FLOOR CLEANOUT - NON-ADJUSTABLE	317
				Z1616 CAST IRON LINE OR FLOOR CLEANOUT - NON-ADJUSTABLE	317
				Z1666 SEAL OR TEST PLUG	318
				Z1666-1 URINAL CLEANOUT	318

TABLE OF CONTENTS - BY SECTION

WATER HAMMER ARRESTORS

Z1700 SHOKTROLS	320
Z1712 ACCUMUTROL	320

STAINLESS STEEL DRAINS

STAINLESS STEEL DRAINS – APPLICATION INDEX	322
STAINLESS STEEL DRAINS – BUTT-WELD ENGINEERING DATA	322
Z1715 15" [381 MM] DIAMETER ROOF DRAIN	323
Z1717 SCUPPER DRAIN	323
Z1720 4" X 8" [102 MM X 203 MM] OPEN SIGHT DRIP DRAIN	324
Z1721 6" X 12" [152 MM X 305 MM] OPEN SIGHT DRIP DRAIN	324
Z1724 ROUND FUNNEL	325
Z1725 OVAL FUNNEL	325
Z1726 ADJUSTABLE MEDIUM DUTY FLOOR DRAIN WITH ROUND TOP	326
Z1727 ADJUSTABLE MEDIUM DUTY FLOOR DRAIN WITH SQUARE TOP	327
Z1730 9" [229 MM] DIAMETER HEAVY-DUTY SHALLOW TYPE FLOOR DRAIN	328
Z1731 9" [229 MM] DIAMETER HEAVY-DUTY MEDIUM DEPTH FLOOR DRAIN	328
Z1732 9-5/8" [244 MM] DIAMETER HEAVY-DUTY ADJUSTABLE FLOOR DRAIN	329
Z1735 12" [305 MM] DIAMETER HEAVY-DUTY FLOOR DRAIN	329
Z1736 12" [305 MM] DIAMETER EXTRA HEAVY-DUTY FLOOR DRAIN	330
Z1737 15" [381 MM] DIAMETER EXTRA HEAVY-DUTY FLOOR DRAIN	330
Z1739 PIT DRAIN	331
Z1740 BACKWATER VALVE	331
Z1745 FLOOR CLEANOUT WITH O-RING SEAL PLUG	332
Z1749 12" X 12" [305 MM X 305 MM] SANI-FLOOR RECEPTOR WITH 4" [102 MM] SUMP DEPTH	333
Z1750 12" X 12" [305 MM X 305 MM] SANI-FLOOR RECEPTOR WITH 6" [152 MM] SUMP DEPTH	334
Z1751 12" X 12" [305 MM X 305 MM] SANI-FLOOR RECEPTOR WITH 8" [203 MM] SUMP DEPTH	335
Z1752 12" X 12" [305 MM X 305 MM] SANI-FLOOR RECEPTOR WITH 10" [254 MM] SUMP DEPTH	336
Z1755 13-3/8" [340 MM] SQUARE SANI-FLOOR RECEPTOR 6" [152 MM] SUMP WITH ADJUSTABLE CLAMP FRAME	337
Z1761 24-5/16" [618 MM] SQUARE KETTLE DRAIN WITH 8" [203 MM] SUMP DEPTH	337
Z1762 28" X 15-1/2" [711 MM X 394 MM] KETTLE DRAIN	338
Z1763 40-7/16" X 25-3/4" [1027 MM X 654 MM] KETTLE DRAIN	339

FABRICATED STAINLESS STEEL DRAINS

ZS880 STAINLESS STEEL LINEAR SHOWER DRAIN	342
Z1800-6B 6" [152 MM] DIAMETER INDUSTRIAL FLOOR DRAIN 4-19/32" [117 MM] SUMP DEPTH	343
Z1800-8B 8" [203 MM] DIAMETER INDUSTRIAL FLOOR DRAIN 6" [152 MM] SUMP DEPTH	344
Z1800-8S 8" X 8" [203 MM X 203 MM] INDUSTRIAL FLOOR DRAIN 6" [152 MM] SUMP DEPTH	344
Z1800-12B 12" [305 MM] DIAMETER INDUSTRIAL FLOOR DRAIN 6" [152 MM] SUMP DEPTH	345
Z1800-12S 12" X 12" [305 MM X 305 MM] INDUSTRIAL FLOOR DRAIN 6" [152 MM] SUMP DEPTH	345
Z1810-6B 6" [152 MM] DIAMETER ADJUSTABLE INDUSTRIAL FLOOR DRAIN	346
Z1810-8B 8" [203 MM] DIAMETER ADJUSTABLE INDUSTRIAL FLOOR DRAIN	346
Z1810-8S 8" X 8" [203 MM X 203 MM] ADJUSTABLE INDUSTRIAL FLOOR DRAIN	347
Z1810-12B 12" [305 MM] DIAMETER ADJUSTABLE INDUSTRIAL FLOOR DRAIN	347
Z1810-12S 12" X 12" [305 MM X 305 MM] ADJUSTABLE INDUSTRIAL FLOOR DRAIN	348
Z1820-8B 8" [203 MM] DIAMETER INDUSTRIAL FLOOR DRAIN WITH SIDE OUTLET	348
Z1820-8S 8" X 8" [203 MM X 203 MM] INDUSTRIAL FLOOR DRAIN WITH SIDE OUTLET	349
Z1820-12B 12" [305 MM] DIAMETER INDUSTRIAL FLOOR DRAIN WITH SIDE OUTLET	349
Z1820-12S 12" X 12" [305 MM X 305 MM] INDUSTRIAL FLOOR DRAIN WITH SIDE OUTLET	350
Z1830-8B 8" [203 MM] DIAMETER INDUSTRIAL FLOOR DRAIN 8" [203 MM] SUMP DEPTH	350
Z1830-8S 8" X 8" [203 MM X 203 MM] DIAMETER INDUSTRIAL FLOOR DRAIN 8" [203 MM] SUMP DEPTH	351
Z1830-12B 12" [305 MM] DIAMETER INDUSTRIAL FLOOR DRAIN 8" [203 MM] SUMP DEPTH	351
Z1830-12S 12" X 12" [305 MM X 305 MM] INDUSTRIAL FLOOR DRAIN 8" [203 MM] SUMP DEPTH	352
Z1840-6B 6" [152 MM] DIAMETER INDUSTRIAL FLOOR CLEANOUT	352
Z1840-6S 6" X 6" [152 MM X 152 MM] INDUSTRIAL FLOOR CLEANOUT	353
Z1840-8B 8" [203 MM] DIAMETER INDUSTRIAL FLOOR CLEANOUT	353
Z1840-8S 8" X 8" [203 MM X 203 MM] INDUSTRIAL FLOOR CLEANOUT	354

SANI-FLOOR RECEPTORS

SANI-FLOOR RECEPTORS – MATERIAL SELECTION	356
SANI-FLOOR RECEPTORS – OPTIONS AND VARIATIONS	356
Z1900 12" X 12" [305 MM X 305 MM] A.R.E. SANI-FLOOR RECEPTOR WITH 6" [152 MM] SUMP DEPTH	357
⌚ Z1900-RL 12" X 12" X 6" [305 MM X 305 MM X 152 MM] REPLACEMENT FLOOR SINK LINER	358
Z1901 12" X 12" [305 MM X 305 MM] A.R.E. SANI-FLOOR RECEPTOR WITH 8" [203 MM] SUMP DEPTH	359
⌚ Z1901-RL 12" X 12" X 8" [305 MM X 305 MM X 203 MM] REPLACEMENT FLOOR SINK LINER	360
Z1902 12" X 12" [305 MM X 305 MM] A.R.E. SANI-FLOOR RECEPTOR WITH 10" SUMP DEPTH	361
⌚ Z1902-RL 12" X 12" X 10" [305 MM X 305 MM X 254 MM] REPLACEMENT FLOOR SINK LINER	362
⌚ Z1903 SANI-FLOOR RECEPTOR INSTALLATION STABILIZER	362
Z1910 8" X 8" [203 MM X 203 MM] A.R.E. SANI-FLOOR RECEPTOR WITH 6" [152 MM] SUMP DEPTH	363
⌚ Z1910-RL 8" X 8" X 6" [203 MM X 203 MM X 152 MM] REPLACEMENT FLOOR SINK LINER	364
Z1920 16" X 16" [406 MM X 406 MM] A.R.C. SANI-FLOOR RECEPTOR WITH 7" [178 MM] SUMP DEPTH	365
Z1926 16" X 16" [406 MM X 406 MM] A.R.C. SANI-FLOOR RECEPTOR WITH 12" [305 MM] SUMP DEPTH	366
Z1930 8" X 4" [203 MM X 102 MM] A.R.C. SANI-FLOOR RECEPTOR WITH 4" [102 MM] SUMP DEPTH	367
Z1940 12" X 6" [305 MM X 152 MM] A.R.C. SANI-FLOOR RECEPTOR WITH 8" [203 MM] SUMP DEPTH	368
Z1950 12" [305 MM] DIAMETER A.R.E. SANI-FLOOR RECEPTOR WITH 8" [203 MM] SUMP DEPTH	369
Z1960 8" DIAMETER [203 MM] A.R.E. SANI-FLOOR RECEPTOR WITH 6" [152 MM] SUMP DEPTH	370
Z1970 9" [229 MM] DIAMETER SHALLOW A.R.C. SANI-FLOOR RECEPTOR WITH 3" [76 MM] SUMP DEPTH	371
Z1982 12" X 12" [305 MM X 305 MM] STAINLESS STEEL SANI-FLOOR CAN WASH DRAIN WITH 8" [203 MM] SUMP DEPTH	372
Z1995 24" X 16" [610 MM X 406 MM] A.R.C. SANI-FLOOR RECEPTOR WITH 17" [432 MM] SUMP DEPTH	372

TECHNICAL INFORMATION

TECHNICAL INFO – ZURN OUTLET PIPE CONNECTIONS	374
TECHNICAL INFO – TOP LOADING CLASSIFICATION	375
TECHNICAL INFO – ZURN MATERIALS AND FINISHES	376
GENERAL TERMS AND CONDITIONS	384

PRODUCT HIGHLIGHT

ZURN[®]

Patented

Ⓢ STABILIZER SOLUTIONS

Stabilization Achieved with Zurn's Patented Solutions for Common Installation Concerns

Labor Savings

- System secures drain to stub-out pipe, sub floor or structural deck to prevent movement during installation process
- Pre-assembly to rough-in height allows for quick and easy job site placement
- Stabilizing system keeps drain secured in concrete, eliminating the need for fire stop, drypack, and grout to hold the drain in place

Versatility

- Z400-SR Stabilizing Ring for 8-3/8" floor drain for stub out installation
- Z1035 Stabilizer Plate for 8-3/8" floor drain and Z1400-K cleanout for sub floor installation
- Z1035-Q Stabilizer Plate for 8-3/8" floor drain and Z1400-K cleanout for structural deck installation
- Z1036 Stabilizer Plate for 12" and 15" sub floor installation
- Z1903 Stabilizer Plate for Z1900 A.R.E floor sink and Z1750 stainless floor sinks for sub floor installation



Patented

⌚ **THE RACE FOR TIME - Z1231-EZ**



Zurn Labor-Saving Products Help New York Healthcare Facility to Build Quickly and Affordably

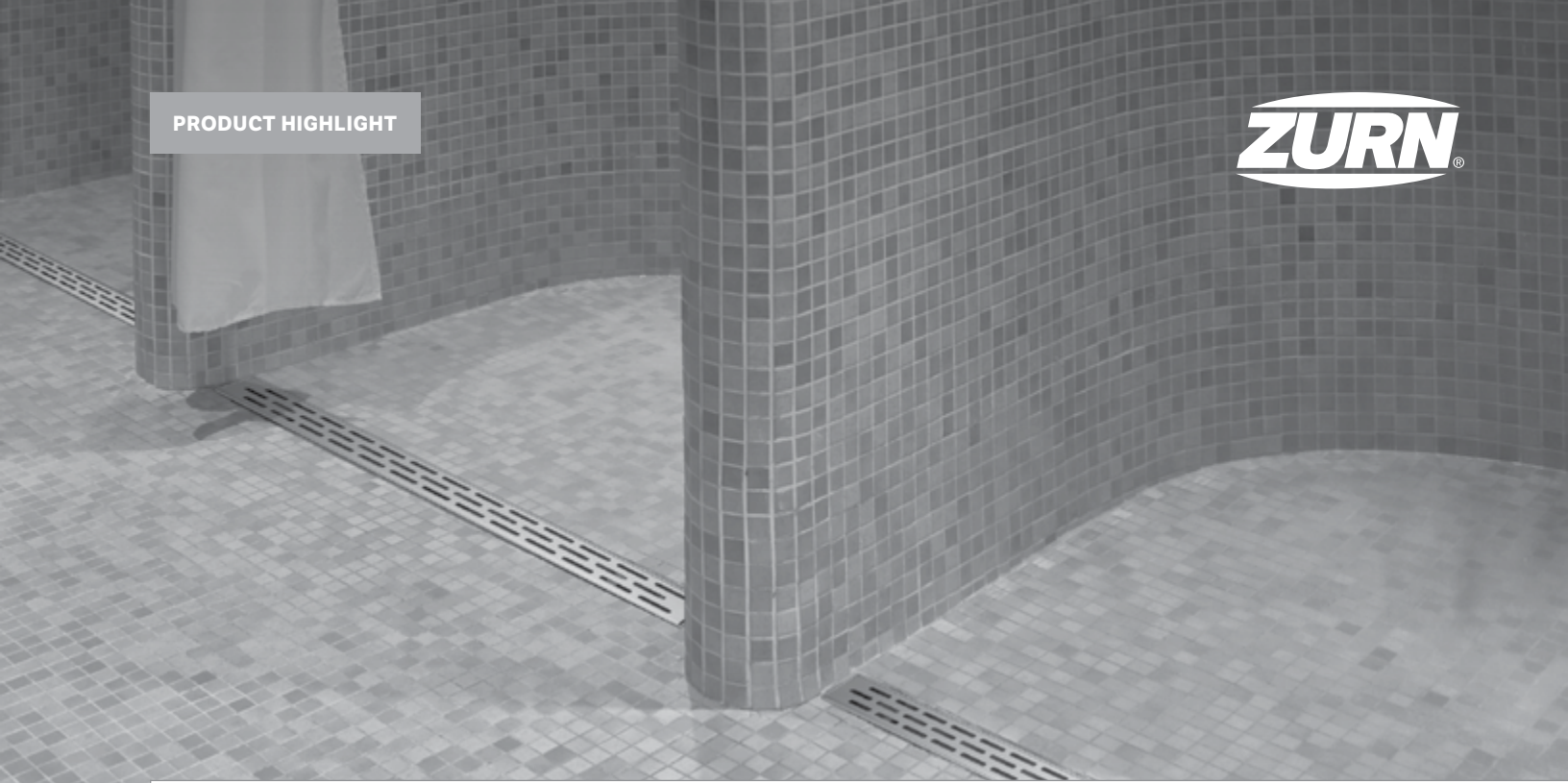
The Erie County Medical Center (ECMC) in Buffalo, New York needed to replace the 80-year-old Erie County Nursing Home, formerly of Alden, New York, as the home was quickly running out of space to provide effective, long-term patient care. The original two-year construction plan was revised with an accelerated project completion of 15 months. ECMC needed a plumbing contractor who could provide a labor-saving solution to meet their aggressive deadline.

The Lavatory EZ Carriers (Z1231-EZ) were key labor-saving products installed at ECMC. These concealed arm lavatory carriers are assembled and pre-packaged at the factory. Once on site, the scale on the adjusting bars lets you quickly set centerline dimensions. This allows for less work at the site, and a reduction in overall installation time.

"My workers in the field prefer to use Zurn products," says Chad Krajewski. "They're well made, reliable, sturdy, and are easy to assemble. It's also comforting to know that Zurn provides a variety of customizations which will help a product or installation meet specific site requirements." Krajewski added that these carriers were significant time savers that fit well into his construction plans.

"I chose Zurn products because I was looking to save time...Many construction projects now are 'hurry-up,' and clients want them to be completed in record time while still significantly cutting labor costs. Today, with tighter schedules and less room to spend on construction projects, Zurn solutions are a great option for contractors."

CHAD KRAJEWSKI
Plumbing Foreman, MLP Plumbing.

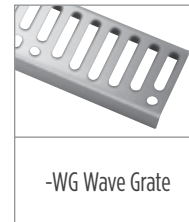


ZS880 STAINLESS STEEL LINEAR SHOWER DRAIN

Beauty Meets Function and Performance - Ideal for Residential, Health Care, and Hospitality Applications



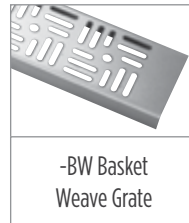
-LS Linear Slotted Grate



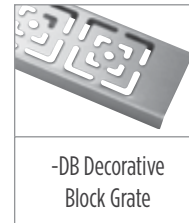
-WG Wave Grate



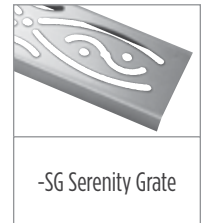
-TG Tile Inlay Grate



-BW Basket Weave Grate



-DB Decorative Block Grate



-SG Serenity Grate

Discover how easy it can be to create a barrier-free shower enclosure that delivers reliable performance and architectural design. The ZS880 eliminates the need to slope the finished flooring in multiple directions, allowing drainage of a substantially larger floor surface area than traditional shower drains. Instead, pitch the floor in one direction towards the linear shower drain, and finish the job in record time. A beautiful installation has never been so simple.

Innovative

- Patent pending frame and grate features allow effortless height and level adjustment, reducing pooling
- Barrier-free installation creates accessibility and freedom in applications requiring ADA compliance
- Performance engineered channel promotes superior water evacuation

Labor Saving

- Integral tiling edge reduces installation time while protecting flooring from damage
- Adjustable anchoring feet provide stability before and during the concrete pour
- Integral flange allows hassle-free membrane attachment
- Type 304 stainless steel construction provides corrosion resistance, durability, and low maintenance

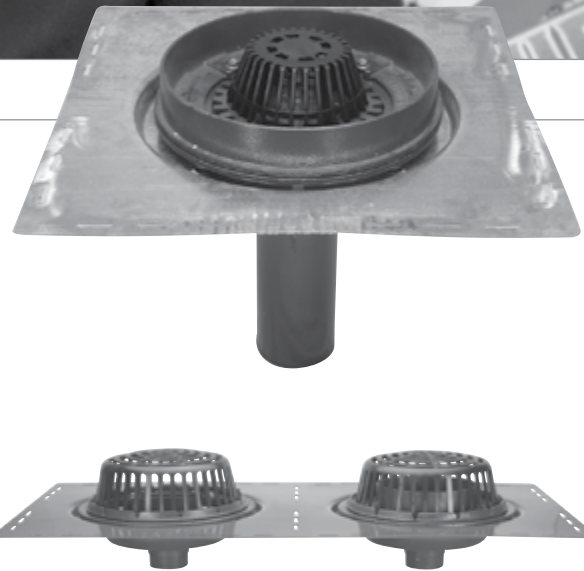
Versatile

- Extensive grating design and decorative finish options enhance aesthetic appeal
- Low-profile design allows installation in 2" over pour
- Customization available to suit an array of project needs

Patented

⌚ **ZURN TOP-SET® DECK PLATE**

The -DP Option is Top of Class, with a Proven Feature Set That Will Save Time and Money

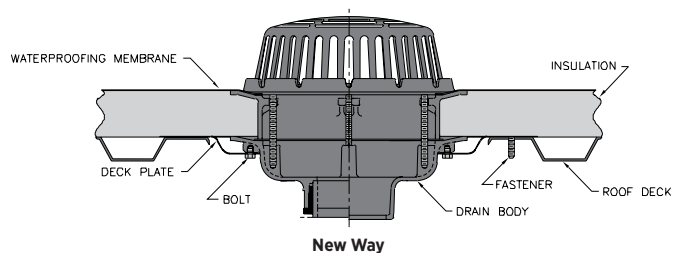
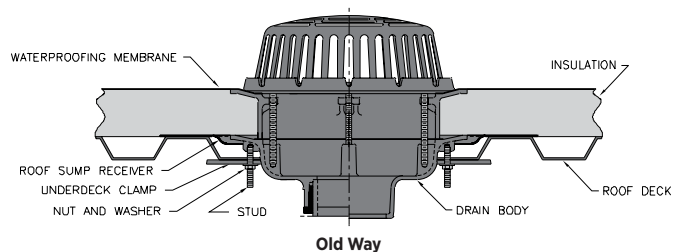


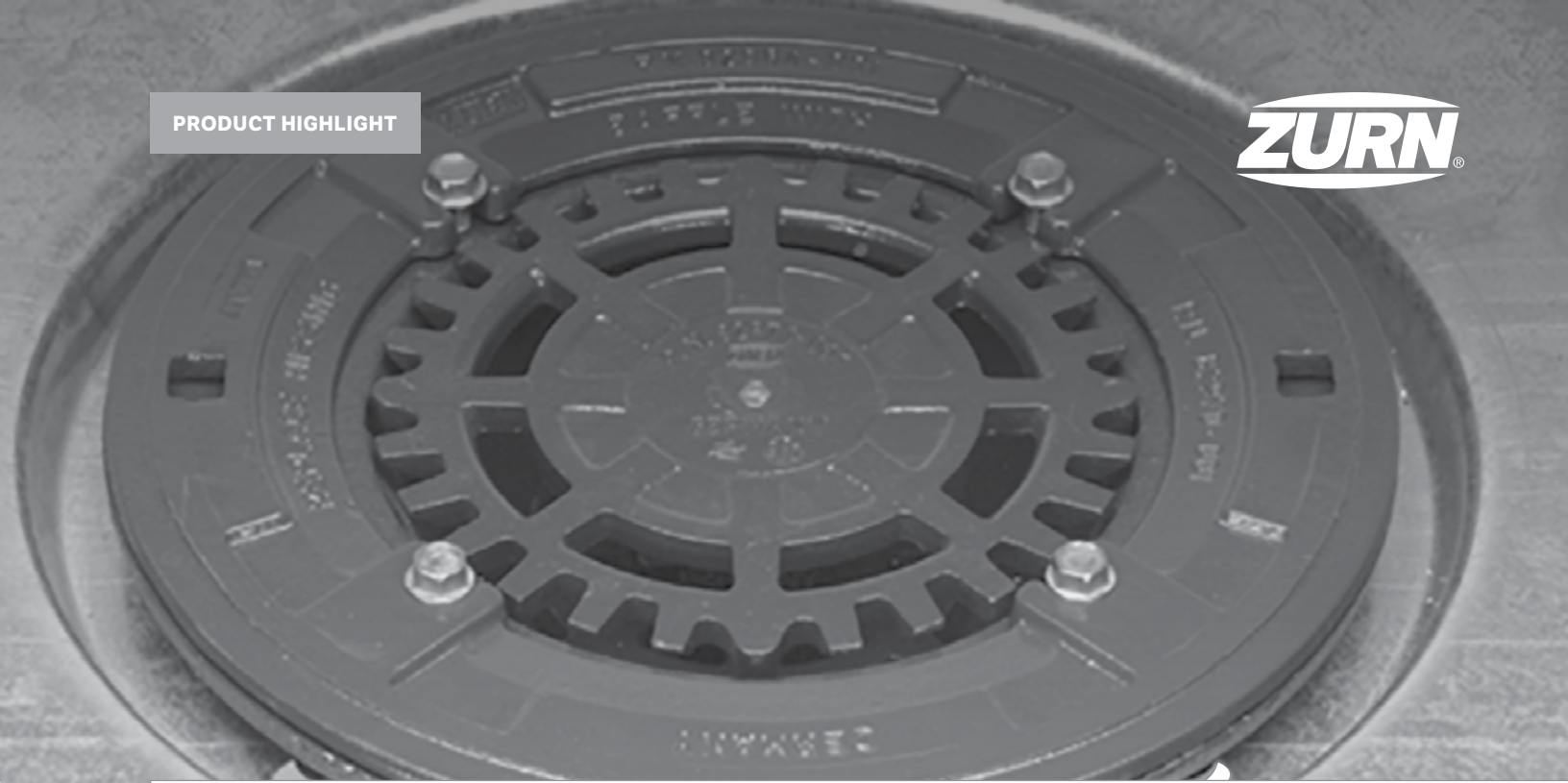
Labor Saving

- -DP option features ease of installation for quick job completion
- Entire roof drain assembly installed from topside of roof requiring only pipe connection installation underside roof
- Deck plate replaces the need for separate under deck clams and roof-sump receivers
- Pipe connection is completed

Versatility

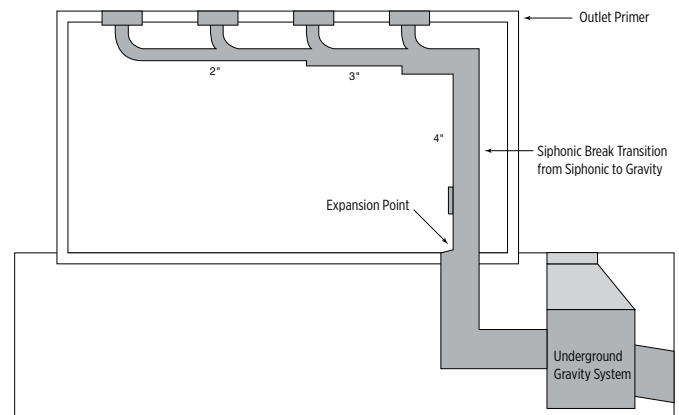
- Three size (-DP) for trouble-free fit 8", 12", and 15" diameter drains
- Multiple slot arrangements to accommodate a variety of roof decks
- Constructed of 14-gauge steel with a corrosive-resistant finish





⌚ **Z130 SIPHONIC ROOF DRAIN WITH DECK PLATE**

Full-Bore Flow Achieved
Siphonic Technology
Provides a Higher Velocity
and Flow Volume



Siphonic Roof Drain System

How It Works

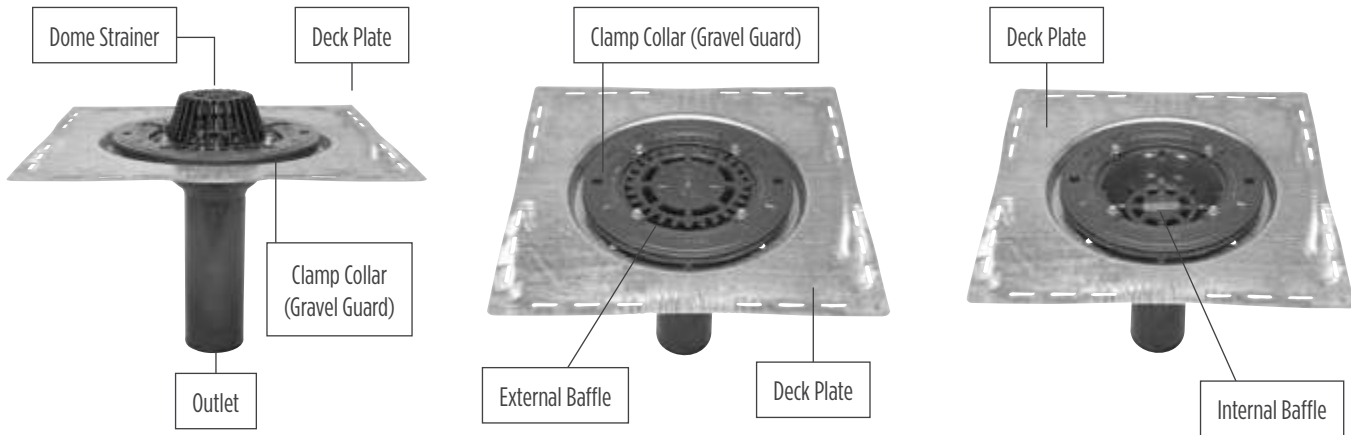
- Siphonic drainage can be achieved by adding/securing a highly engineered air baffle to the sump of a standard conventional drain
- This air baffle prevents vortex flow while restricting air from entering the vertical tailpipe and horizontal collector piping
- As water forces air out, a negative head pressure is created in the collector pipe and the water is sucked off the roof
- In a Zurn Siphonic Drain, full-bore flow occurs with 2" of water above the air baffle
- Multiple drains can flow into a common horizontal collector pipe. This pipe eventually turns downward into a vertical downspout and transfers to conventional gravity drainage when below grade.
- When not operating under full flow, the system drains like a gravity system

Benefit Summary of a Zurn Siphonic System

- No pitch requirement in piping to induce flow
- Smaller pipe diameters get equal flow rates
- Flow Rates of Zurn Siphonic:
2" - 149 gpm, 3" - 380 gpm, 4" - 704 gpm
- Vertical stack placement is flexible
- No cleanouts necessary in system. Higher flow velocities help to clean pipes
- More efficient than conventional drainage
- Use of recycled materials

🕒 Z130 SIPHONIC ROOF DRAIN WITH DECK PLATE

Components of a Siphonic System



Plan a Custom Siphonic System

To determine the number of drains:

1. Select location of the drains on the roof.
2. Select the location of the down pipe.
3. Horizontal collector pipe length should not exceed 20 times the building height.
4. Maximum distance between SDS drains with a common collector pipe is 65 feet.
5. Use the chart below to select the number of drains based on square feet and rainfall data.

Note: This tool can be used for a quick estimate for number of drains - must have system designed by Zurn for complete piping layout.

Siphonic Design Questions

Please fill out the questions below along with building plans including roof layout and building sections as a DWG file.

1. What kind of roof construction is it? (details, surface)
2. What are the measurements of the sections of the roof?
3. Is there a specific location the roofer would like the drains to be placed?
4. Will a rainwater harvesting system be used on this project?
5. What is the rainfall data for the area?
6. Do you have ground plans for the building sections?
7. Where do you want the down pipe located?
8. What material of piping are you using? (PVC, cast iron)
9. What is the minimum height of the horizontal drainage pipe?
10. Are there any specific areas where drains cannot be located?
11. Are overflow drains required?

SDS with Air Baffle, Machined Collar Clamp, and Zurn Dome

ROOF DRAIN VERTICAL REQUIREMENT FOR HORIZONTAL ROOF AREAS AT VARIOUS RAINFALL RATES											
LEADER SIZE		HOURLY RAINFALL IN INCHES									
PIPE SIZE (IN.)	OPEN AREA (SQ. IN.)	1	1.5	2	2.5	3	4	5	6	7	8
		TOTAL SQUARE FOOTAGE COVERED PER DRAIN*									
2	2.66	14,188	9,458	7,094	5,675	4,729	3,547	2,837	2,364	2,026	1,773
3	6.33	36,614	24,409	18,307	14,645	12,204	9,153	7,322	6,102	5,230	4,576
4	12.17	67,736	45,157	33,868	27,094	22,578	16,934	13,547	11,289	9,676	8,467

*Theoretical value based on ideal condition of our tests in the University of Munich (without safety factor).



GREEN ROOFING DRAINAGE SOLUTIONS

It's Easy Being Green

Having proper drainage on a green roof is a critical aspect of the system. If the system is not able to drain properly, it can negatively impact the vegetation due to over-saturation of the soil. As the soil takes on excessive amounts of water, it continues to add weight to the roofing structure. This added load has the potential to compromise the structural integrity of the roof. In order to prevent these situations from occurring, the roof drain must allow adequate flow through the drain at all times.

Performance

Stainless steel perforated extension allows for optimal flow into the roof drain while simultaneously keeping debris out.

Ease of Maintenance

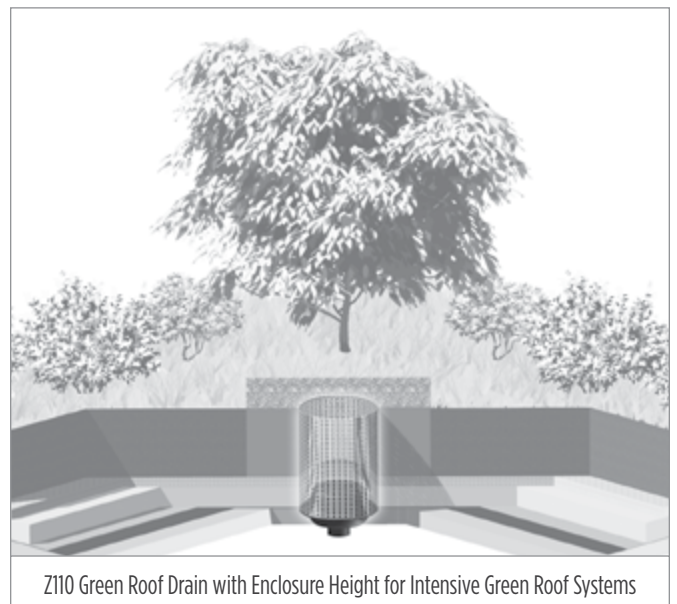
Removable lid allows for easy routine maintenance.

Versatility

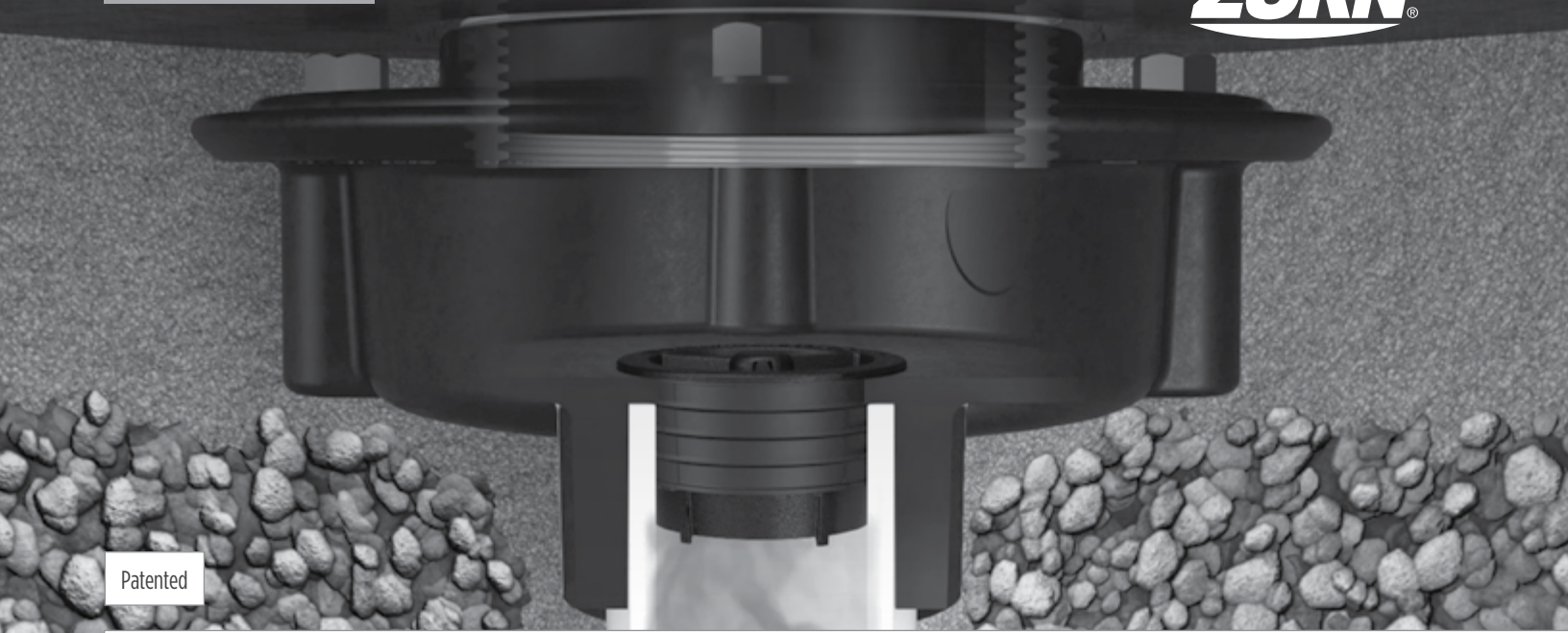
Customizable enclosures guarantee the roof drain aligns with the green roof surface and offer an aesthetically appealing finish to the roof environment.

Flexibility

Simplify the installation process by customizing the order to ship the perforated extension after the drain has been installed



Z110 Green Roof Drain with Enclosure Height for Intensive Green Roof Systems



Patented

Ⓢ **Z1072 - ZSHIELD™ FLOOR DRAIN BARRIER TRAP SEAL**

Discover the paired performance of the ZShield and EZ1™ Technology

The leading drain manufacturer now offers the easiest to install barrier trap, the ZShield minimizes evaporation, preventing odors, gases, and insects from entering up through the drain.

Features and Benefits

- Universally designed to easily be installed in almost any floor drain
- Designed for new construction and retrofit applications
- ASSE, ICC and IAPMO Approved

Engineering Specification

ZURN Z1072 Barrier trap seal device for use with floor drains to minimize trap evaporation. Product is comprised of an ABS rigid structure, silicone gasket and seal for 2" [51 mm], 3" [76 mm], 3-1/2" [89 mm], and 4" [102 mm] sizes. Device is engineered to comply with the performance requirements of ASSE 1072 standard and is third party listed with IAPMO (cUPC) and ICC (ICC cES PMG).

ZShield Approvals

ASSE® Listed 1072-2007, ICC, and IAPMO® Listed



Z1072 ZShield Barrier Trap Seal
Available in 2", 3", 3-1/2", 4"

Complete System Saving Time and Money

Zurn Commercial Drainage takes pride in our effort to always bring the contractor new products that save time and allow for job site flexibility. Pairing the new ZShield for either new construction or retrofit application, allows for easy installation utilizing the neoprene gasket for a secure fit.

A Name You Can Trust

From the contractor to the building owner, Zurn has always provided products that provide a safe and effective solution. Pair your drain with a ZShield Barrier Trap for that extra security and aesthetics your building requires.



Z415



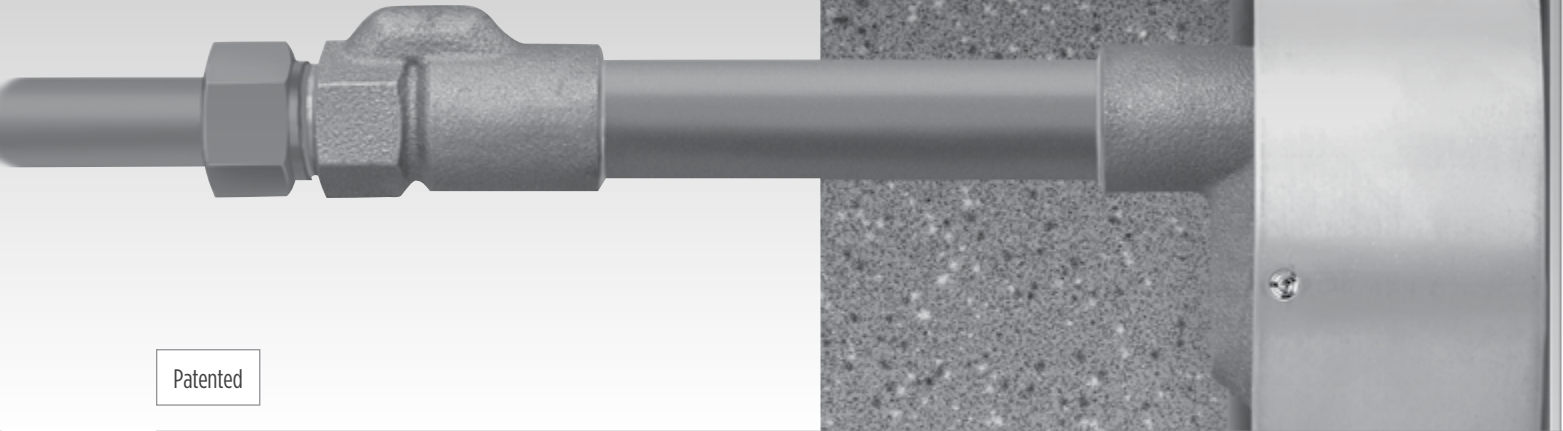
Z508



Z505



Z610



Patented

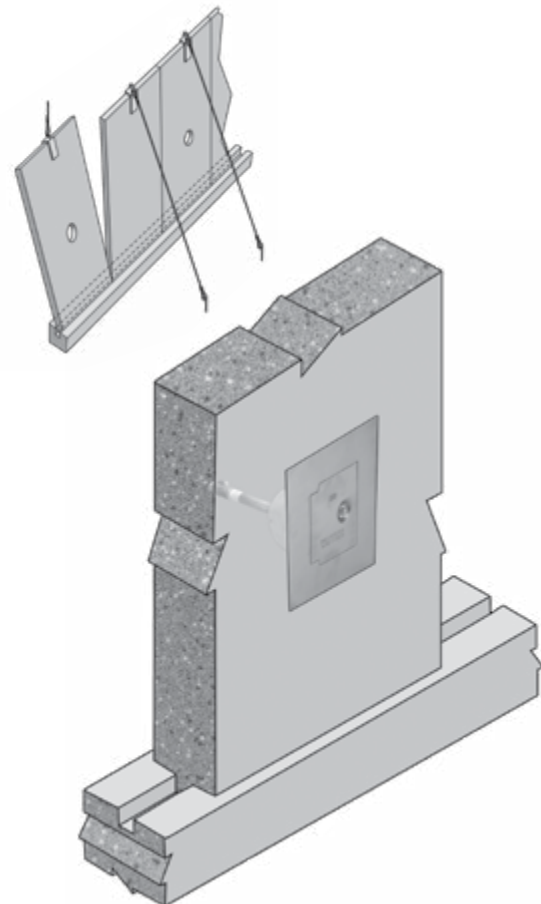
Ⓢ **A PERFECT FIT: Z1322XL-EZ AND Z1332XL-EZ ECOLOTROL™ WALL HYDRANTS**

For Installation in Tilt-Up Construction

The 7-7/8" diameter sleeve of the Zurn Z1322-EZ and Z1332-EZ Ecolotrol wall hydrants is designed exclusively for tilt-up installations. They have many benefits over square or rectangular hole type installations, including:

- Coring a 6" diameter hole in the wall results in time and labor savings over trying to hammer drill a square or rectangular hole
- Coring makes a smooth and clean cut opening without damaging the wall or chipping the interior wall surface, whereas a square or rectangular hole can crack or damage the precast wall during hammer drilling
- Smooth interior wall surface is easy to insulate (if required)
- No materials or labor are required to repair the interior wall surface
- Round sleeves have holes that allow the installer to secure them to the wall with hardware
- Wide box face fit flush with the wall surface and covers the 6" diameter hole
- Square box face flanges provide surface areas that seal and waterproof (if required)
- Tight, secure fit delivers vermin-proof installation

Z1322XL-EZ and Z1332XL-EZ Ecolotrol lead-free wall hydrants offer a safe, reliable solution that exceeds federal requirements.





Patented

Ⓢ **EZ HYDRANTS: Z1327-EZ, Z1350-EZ, Z1320XL-EZ**

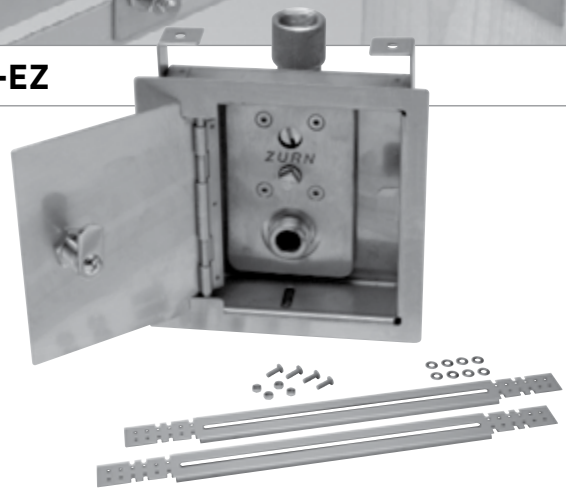
Ease of Installation Paired with Excellent Durability

Z1327-EZ and Z1350-EZ

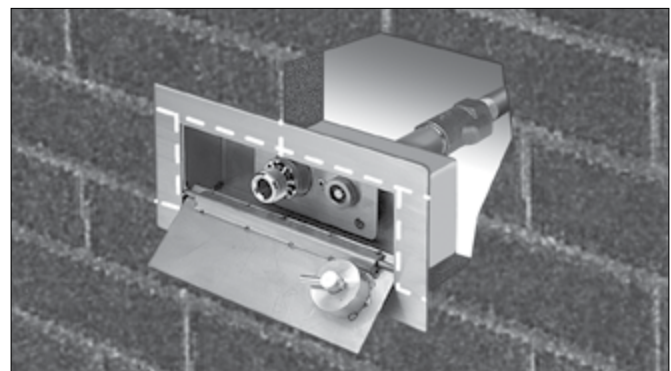
- All fabricated stainless steel constructed boxes provide a long-lasting finish
- Mounting braces provide fast, rigid installation of the hydrant box assembly
- Hydrant box and braces are designed to fit inside a standard 2" x 4" stud wall on 16" or 24" centers
- Mounting braces allow hydrant box assembly to be easily adjusted left or right to a desired location, and locked in place prior to finished wall placement
- Mounting braces eliminate the use of additional material on a job site to form and adjust the braces to fit within the wall and accommodate the hydrant

Z1320XL-EZ

- All fabricated stainless steel constructed box provides a long-lasting finish
- Hydrant box is designed to fit in one standard modular brick course
- Wide flange surface hides the wall rough-in opening after installation
- Hydrant cover opens downward with a full 180° rotation
- Optional wall clamp assembly provides rigidity and helps secure hydrant box to the wall
- Lead-free hydrant provides a safe, reliable solution that exceeds federal requirements



Z1350-EZ encased, moderate climate wall hydrant for narrow wall installation with mounting bracket hardware



Z1320XL-EZ encased Ecolotrol™ lead-free "anti-siphon," automatic draining wall hydrant installed in one standard masonry course

Ⓢ This symbol denotes a product that is engineered to reduce installation and rework time. For additional product information, please visit zurn.com/laborsavings



ZURN BARIATRIC PROVIDES SUPERIOR PERFORMANCE

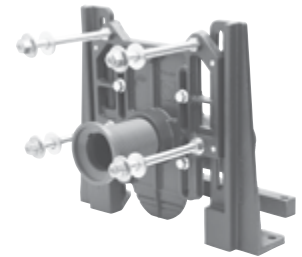
Zurn Meets Health Care Challenges

Million of adults in the United States that are classified as overweight, with over half of that number being considered obese. Nine million are considered to be extremely obese or bariatric patients. Due to the increasing number of bariatric patients, there has been a spike in gastric bypasses, stomach reductions, and banding operations which has led to an increase in the amount of bariatric patients in hospitals.

In order to help meet the needs of special bariatric care, Zurn has developed both bariatric designed toilets and support carriers for hospital restrooms. With paired performance options available up to 1,000 pounds Zurn knows how support this growing concern.



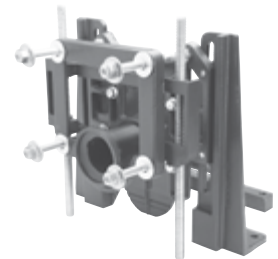
Z5681
750 - 1,000 lb Elongated
Wall Hung Water Closet



Z1201-XH and Z1202-XH
Extra Heavy Carrier Systems
Support up to 750 lb



Z5691
1,000 lb Rating Bariatric
Wall Hung Water Closet



Z1201-XB and Z1202-XB
Bariatric Carrier Systems
Support up to 1000 lb

ZURN BARIATRIC PROVIDES SUPERIOR PERFORMANCE

Z5681

750 - 1,000 lb Elongated Wall Hung Water Closet



- Installation of the paired carrier and closet guarantee performance and safeguard against catastrophic failure from using different manufacturer's carrier and closet
- 3-year Zurn One System warranty
- 1.6 gpf, siphon jet type flush
- Full compliance with ASME/ANSI A112.19.2 flush performance testing
- 1,000 lb load rating in accordance with ASME/ANSI A112.19.2
- Manufactured of type 304 stainless steel (optional brushed stainless steel finish) seamless construction with antimicrobial powder-coated exterior surface
- 1-1/2" top inlet spud connection
- Antimicrobial polypropylene elongated, self-centering, non-shift seat design with integral molded bumpers

Z5691

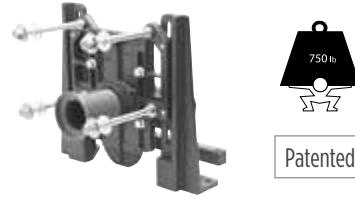
1,000 lb Rating Bariatric Wall Hung Water Closet



- Installation of the paired carrier and closet guarantee performance and safeguard against catastrophic failure from using different manufacturer's carrier and closet
- 3-year Zurn One System warranty
- Full compliance with ASME/ANSI A112.19.2 flush performance testing
- 1,000 lb load rating in accordance with ASME/ANSI A112.19.2
- 1.6 gpf, siphon jet type flush
- Extra large bariatric-sized seating area for enhanced patient comfort
- Manufactured of type 304 stainless steel (optional brushed stainless steel finish) seamless construction with antimicrobial powder-coated exterior surface
- 1-1/2" top inlet spud connection
- Antimicrobial polypropylene elongated, self-centering, non-shift seat design with integral molded bumpers

Z1201-XH and Z1202-XH

Extra Heavy Carrier Systems Support up to 750 lb



- Provides paired performance up to 750 lb behind the wall and 500 lb at the closet fixture
- Maintains additional support and a degree of safety, regardless of the restroom location
- Wall hung closet fixture provides a sanitary environment by keeping the toilet fixture off the floor
- Designed for both new and retrofit applications and maintains the use of 5/8" studs that are standard for all wall hung fixture installations
- Specify the Z1201-XH for horizontal extra heavy-duty carrier needs and the Z1202-XH for vertical extra heavy-duty carrier requirements

Z1201-XB and Z1202-XB

Bariatric Carrier Systems Support up to 1,000 lb

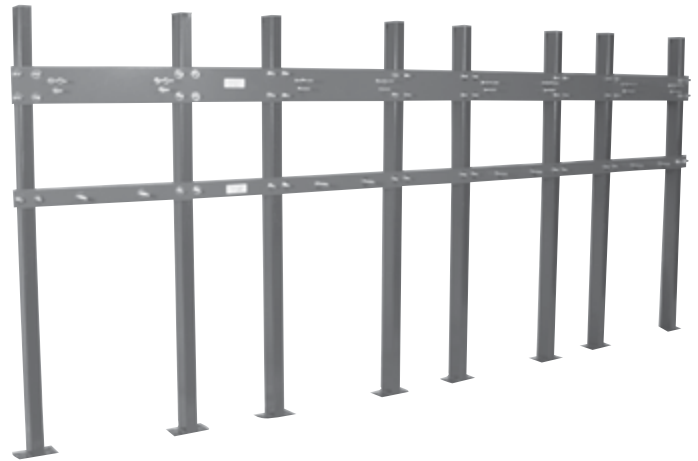


- The Bariatric Room Design Advisory Board (BRDAB), created by The Hill-Rom Company, has targeted bariatric room maximum design for 1,000 lb for chairs, beds, and toilet fixtures
- Wall hung closet fixture provides a sanitary environment by keeping the toilet fixture off the floor
- Designed for new and retrofit applications and maintain the use of 5/8" studs that are standard for all wall hung fixture installations
- Integral finishing frame provided to square up the finished wall, reduce installation time, and add support
- Specify the Z1201-XB for horizontal and the Z1202-XB for vertical Bariatric Carrier requirements



⌚ **Z1222-CB CARRIER BANK**

Designed to Speed Up Your Installation



Multiple station plate system provides an extended length plate fabricated with exact center-to-center locations to accommodate a bank of multiple urinals. Custom-length plates are specific to job requirements and are provided with loose uprights and boxed mounting hardware and studs. Ideally suited for prefabricated applications.

The following information is necessary when specifying the carrier bank:

- Fixture manufacturer, model number, and quantity of fixtures
- Center-to-center spacing of urinals
- Handicap fixture quantity and location (if applicable)
- Wall thickness

Note: Custom carrier banks are available for all Zurn plate type systems.

CUSTOMER GUIDE INSTRUCTIONS

Each product section in this catalog is introduced by a cover page showing a representation of products. Additional information varies by product section, but generally consists of the following:

APPLICATION INDEX General guide to the characteristics of the products and their design.

PRODUCT COMPLIANCE List of standards and approvals that apply.

PRODUCT DESCRIPTIONS Each product page contains a product photograph, engineering dimensional drawing, engineering specification, pricing chart, available outlet types and sizes, and the appropriate prefix and suffix options.

TECHNICAL DATA General overview of product characteristics, assemblies, and installation data.

TYPICAL PRODUCT PAGE NAVIGATION

Product Heading

Z415 BODY ASSEMBLY WITH HEEL-PROOF "TYPE B" STRAINER

Product Photo

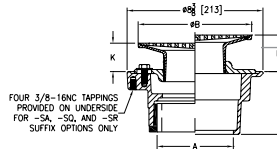


ENGINEERING SPECIFICATION

ZURN ZN415B floor and shower drain. Dura-Coated cast iron body with bottom outlet, combination invertible membrane clamp and adjustable collar with seepage holes, and "TYPE B" polished nickel bronze, light-duty strainer.

NOTES

For other available strainer variations see Z400 Strainer Series. Add price for required strainer to "BODY ONLY" price in chart. Specify type and size required.



FOUR 3/8"-16NC TAPPINGS PROVIDED ON UNDERSIDE FOR -SA, -SQ, AND -SR SUFFIX OPTIONS ONLY

Engineering Line Drawing

Section Marker Tab

Dimensional Chart

Strainer Designation	Dimensions in Inches [mm]							Str. Open Area (Sq. In. [cm ²])	App. Wt. Lbs. [Kg]
	A Pipe Size	B Str. Dia.	K		K'				
			Min.	Max.	Min.	Max.			
-5B	2 [51], 3 [76]	5 [127]		1-1/2 [38]	1-3/32 [27]	2-1/4 [57]	6-1/4 [40]	11 [5]	
-6B	2 [51], 3 [76], 4 [102]	6 [152]	1 [25]	1-25/32 [45]	1-13/32 [36]	2-17/32 [64]	9 [58]	13 [6]	
-7B		7 [178]			1-23/32 [44]		12 [77]	14 [6]	
-8B	3 [76], 4 [102]	8 [203]	1-5/32 [29]	2-1/8 [54]	1-3/4 [44]	2-7/8 [73]	19 [122]	16 [7]	
-10B	6 [152]	10 [254]	1-7/16 [37]	2-1/2 [64]	2 [51]	3-1/4 [85]	23 [148]	18 [8]	
								22 [10]	

Prefix/Model # - Material/Finish/Body Type

PREFIXES	DESCRIPTION	STRAINER DESIG.	PIPE SIZE	LIST PRICE	SUFFIXES	ADD.
ZN415*	D.C.C.I. Body Assembly with Polished Nickel Bronze Top	-5B	2", 3"	363.00	-AA	All Acid Resisting Epoxy 196.00
		-6B	2", 3", 4"	444.00	-AR	Acid Resisting Epoxy Coated Cast Iron 127.00
		-7B	2", 3", 4"	511.00	-C	Clamp Collar for -90 Side Outlet 112.00
		-8B	3", 4"	640.00	-CP	Chrome-Plated Bronze Top 19.00
		-10B	6"	1,050.00	-DP	Decorative Polished Top 127.00
					-EF	3/8" Extension Frame 223.00
ZB415	D.C.C.I. Body Assembly with Polished Bronze Top	-5B	2", 3"	345.00	-G	Galvanized Cast Iron 148.00
		-6B	2", 3", 4"	401.00	-HD	Heavy-Duty Slotted Grate (ZN 5" and 6" sizes only) 154.00
		-7B	2", 3", 4"	485.00	-OF	Oval Funnel - 6" thru 10" Strainers Only (See ZB 2329-7) 273.00
		-8B	3", 4"	606.00		ZN 316.00
		-10B	6"	1,016.00		
					-P	Trap Primer Connection (Specify 1/2" or 3/4") N/C
Z415	D.C.C.I. Body Assembly ONLY (add "-L/Top" to product sku)	No Strainer	2", 3", 4"	145.00	-PC	Protective Cover 47.00
			6"	555.00	-SA	Stabilizer Assembly (See Z1035) -
					-SQ	Stabilizer Q-deck (See Z1035-Q) -
					-SR	Stabilizer Ring (See Z400-SR) -
					-TC	Neo-Loc Test Cap Gasket (2" thru 4" N. Bottom Outlet Only) 17.00

Suffix - Option List

Strainer Designation - Size/Type

OUTLETS (SPECIFY PIPE SIZE IN INCHES AND TYPE OF OUTLET)			
OUTLET TYPE	PIPE SIZE/OUTLET TYPE	B BODY HT. INH.	ADD.
JC	Inside Caulk 2IC, 3IC, 4IC	4-13/16"	N/C
JG	Inside Gasket 2IG, 3IG, 4IG	4-13/16"	N/C
IP	Threaded 2IP	2-7/16"	59.00
	3IP	2-3/4"	59.00
	4IP	2-13/16"	59.00
	6IP	2-7/8"	59.00
NH	No-Hub 2NH, 3NH, 4NH	3-13/16"	N/C
NL	Neo-Loc 2NL, 3NL, 4NL	3-7/8"	N/C

Outlet - Size/Type

*Regularly furnished unless otherwise specified.

Ⓞ This symbol denotes a product that is engineered to reduce installation and rework time.

For Additional Product Information, Please Visit www.zurn.com

ABBREVIATIONS USED IN THIS CUSTOMER GUIDE

A.B.S.	Acronitrile Butadiene Styrene
APP.	Approximate
APPROX.	Approximate
A.R.C.	Acid Resisting Epoxy
A.R.E.	Acid Resisting Enamel
AUX.	Auxiliary
BRZ.	Bronze
C.I.	Cast Iron
C.O.	Cleanout
CONN.	Connection
D.C.	Dura-Coated
DIA.	Diameter
DIM.	Dimension
DT	Decorative Top
D.C.C.I.	Dura-Coated Cast Iron

EXT.	Extension
GALV.	Galvanized
GSKT.	Gasket
G.P.M.	Gallons Per Minute
HT.	Height
IN.	Inch
LB	Pounds
LG.	Long
MED.	Medium
N.A.	Not Applicable
N.B.	Nickel Bronze
N/C	No Charge
P.B.	Polished Bronze
PLN.	Plain
POA	Price on Application

POL.	Polished
P.V.C.	Polyvinylchloride
RAD.	Radius
SGL.	Single
SQ. IN.	Square Inches
S.S.	Stainless Steel
STL. ST.	Stainless Steel
STR.	Strainer
THD.	Threaded
V.P.	Vandal-Proof
W/	With
WT.	Weight
XH	Extra Heavy

INTRO

ROOF DRAINS

FLOOR DRAINS

T, P, BW VALVES

INTERCEPTORS

CARRIERS

HYDRANTS

CLEANOUTS

WHA

SS DRAINS

FAB SS DRAINS

SANI-FLOOR

TECH INFO

NOTES

INTRO

ROOF DRAINS

FLOOR DRAINS

T, P, BW VALVES

INTERCEPTORS

CARRIERS

HYDRANTS

CLEANOUTS

WHA

SS DRAINS

FAB SS DRAINS

SANI-FLOR

TECH INFO

ROOF DRAINS

ROOF DRAIN - PRODUCT COMPLIANCE	24	Z150 14" [356 MM] SQUARE TOP PROM-DECK DRAIN WITH HEEL-PROOF GRATE AND ROTATABLE FRAME	43
ROOF DRAIN - GENERAL INFORMATION	24	Z154 12" [305 MM] SQUARE TOP PROM-DECK DRAIN WITH HEEL-PROOF GRATE AND ROTATABLE FRAME	44
ROOF DRAIN - APPLICATION INDEX	24	Z158 10" [254 MM] SQUARE TOP PROM-DECK DRAIN WITH HEEL-PROOF GRATE AND ROTATABLE FRAME	45
Z100 15" [381 MM] DIAMETER MAIN ROOF DRAIN WITH HIGH PROFILE DOME	25	Z160 135° SCUPPER DRAIN	46
Z101 HIGH CAPACITY 20" [508 MM] DIAMETER MAIN ROOF DRAIN WITH LOW SILHOUETTE DOME	26	Z161 3" X 10" [76 MM X 254 MM] OBLIQUE SCUPPER DRAIN	46
🕒 Z103 15" [381 MM] DIAMETER DEEP SUMP DUAL OUTLET ROOF DRAIN WITH LOW SILHOUETTE DOME	26	🕒 Z163 15" [381 MM] DIAMETER COMBINATION MAIN ROOF AND OVERFLOW DRAIN WITH LOW SILHOUETTE DOMES AND DOUBLE TOP-SET® DECK PLATE	47
🕒 Z103-45 45° 15" [381 MM] DIAMETER DEEP SUMP DUAL OUTLET ROOF DRAIN WITH LOW SILHOUETTE DOME	27	🕒 Z164 12" [305 MM] DIAMETER COMBINATION MAIN ROOF AND OVERFLOW DRAIN WITH LOW SILHOUETTE DOMES AND DOUBLE TOP-SET® DECK PLATE	48
Z104 15" [381 MM] DIAMETER DEEP SUMP ROOF DRAIN WITH LOW SILHOUETTE DOME	28	🕒 Z165 8-3/8" [213 MM] DIAMETER COMBINATION MAIN ROOF AND OVERFLOW DRAIN WITH LOW SILHOUETTE DOMES AND DOUBLE TOP-SET® DECK PLATE	49
Z105 CONTROL-FLO™ ROOF DRAIN WITH PARABOLIC WEIR	29	Z180 4-1/2" [114 MM] DIAMETER CORNICE DRAIN WITH BOTTOM OUTLET	49
Z107 20" [508 MM] WIDE DECK FLANGE ROOF DRAIN	30	Z181 6" [152 MM] DIAMETER CORNICE DRAIN WITH BOTTOM OUTLET	50
Z108 15" [381 MM] DIAMETER DECK RECEPTOR DRAIN	31	Z182 4-1/2" [114 MM] DIAMETER CORNICE DRAIN WITH 90° OUTLET	50
Z110 15" [381 MM] GREEN ROOF DRAIN WITH PERFORATED SCREEN ASSEMBLY, AND REMOVABLE COVER WITH LIFT HANDLE	32	Z185 6" [152 MM] DIAMETER CORNICE DRAIN WITH 90° OUTLET	51
Z110-AI GREEN ROOF DRAIN WITH PERFORATED SCREEN ASSEMBLY, REMOVABLE COVER WITH LIFT HANDLE, AND AUXILIARY INLET	33	Z187 6" X 7" [152 MM X 178 MM] OR 8" X 12" [203 MM X 305 MM] OBLIQUE SCUPPER DRAIN	51
Z111 12" [305 MM] DIAMETER FLAT DECK ROOF DRAIN FOR METAL DECKS	34	Z189 5" X 6" X 11" [127 MM X 152 MM X 279 MM] SCUPPER DRAIN	52
Z121 12" [305 MM] DIAMETER ROOF DRAIN LOW SILHOUETTE DOME	35	Z190 VERTICAL EXPANSION JOINT	52
ZCF121 12" [305 MM] DIAMETER ROOF DRAIN	36	Z191 5" X 4" X 24" [127 MM X 102 MM X 610 MM] DOWNSPOUT BOOT	53
Z122 12" [305 MM] DIAMETER DECK RECEPTOR DRAIN	37	Z191-RD 4" X 18" [127 MM X 457 MM] DOWNSPOUT BOOT	53
Z125 8-3/8" [203 MM] DIAMETER ROOF DRAIN LOW SILHOUETTE DOME	38	Z192 4" X 3" [102 MM X 76 MM] DOWNSPOUT BOOT	54
Z127 8-1/2" [216 MM] DIAMETER DECK RECEPTOR DRAIN	39	Z193 VANDAL-PROOF HOODED VENT CAP	54
Z129 8" [203 MM] MAIN ROOF DRAIN	40	Z195 VENT STACK FLASHING SLEEVE	55
ZCF129 8" [203 MM] CONTROL ROOF DRAIN	40	Z196 VENT STACK FLASHING SLEEVE	55
🕒 Z130 14-9/32" [203 MM] DIAMETER SIPHONIC MAIN ROOF DRAIN	41	Z197 RISER SLEEVE	56
🕒 Z131 14-9/32" [363 MM] DIAMETER SIPHONIC OVERFLOW ROOF DRAIN	41	Z198 PARAPET SCUPPER SLEEVE	56
Z135-6 8" [203 MM] MAIN ROOF DRAIN FOR CONVENTIONAL INVERTED PROMENADE DECK ROOF	42	Z199 DOWNSPOUT NOZZLE	57
		Z199-DC DOWNSPOUT COVER	58

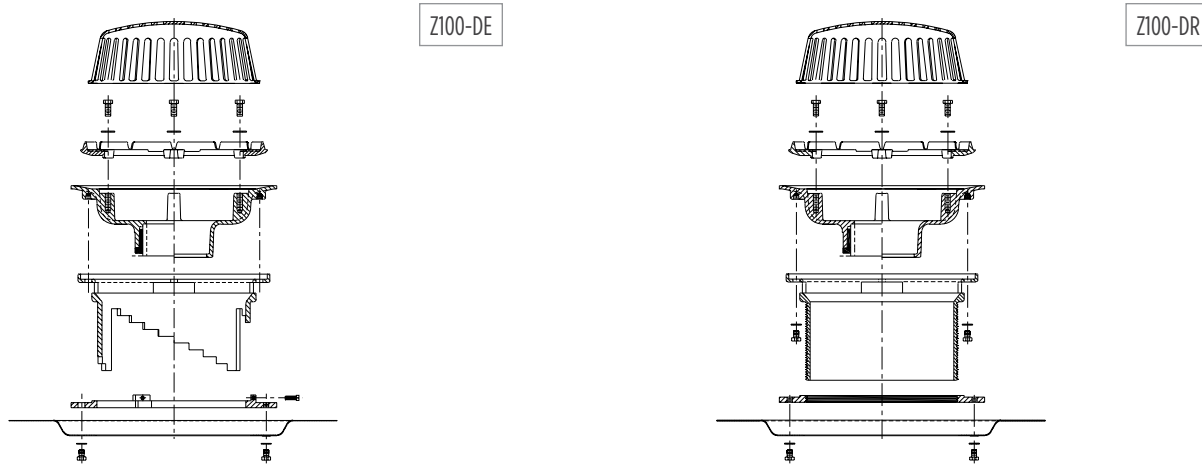
ROOF DRAIN - PRODUCT COMPLIANCE

Zurn roof drains are constructed of high quality materials and, in general, are designed to meet the requirements of ASME Standard A112.6.4 (revision and redesignation of ANSI A112.21.2M).

For verification of a selected roof drain, contact your local Zurn Sales Representative.

ROOF DRAIN - GENERAL INFORMATION

Zurn roof drains are comprised of three basic components: a body (sump), a combination membrane flashing clamp/gravel guard, and a dome strainer. Two of Zurn's roof drains are the Z100-DE and Z100-DR, shown below. These illustrate the basic components and options: the adjustable extension -DE (Deck Extension), -DR (Drain Riser), and Top-Set Roof Deck Plate (-DP).



Note: Neo-Loc outlets are not recommended for roof drain applications due to the watertight integrity of the Neo-Loc connection to the leader pipe being dependent upon adequate leader pipe support and accurate perpendicularity of leader pipe into Neo-Loc gasket.

ROOF DRAIN - APPLICATION INDEX

Roof drain selection should be made with a specific type of roof construction in mind. The many types and sizes of drains offered by Zurn, coupled with a wide array of available options, provide you with a roof drain for all applications.

APPLICATION	RECOMMENDED ROOF DRAIN
Main Roof	Z100, Z100-90, Z104, Z105, Z107, Z108
High Capacity	Z101
Water Insulated Main Roof	Z100-AW, Z100-W, Z100-89
Combination Main/Overflow Drain	Z103, Z103-45
Green Roof	Z110, Z110-AI
Medium Area	Z111, Z121, Z121-90, Z122
Inverted Membrane Roof Deck	Z100-85, Z121-85, Z125-85
Overflow	Z108, Z122, Z127, Z163, Z164, Z165
Penthouse and Small Area	Z125, Z125-90, Z127
Promenade and Patio	Z150, Z154, Z158
Parapet Scupper	Z160, Z161, Z187, Z189
Canopy and Terrace	Z180, Z181, Z182, Z185
Expansion Joints	Z190
Downspout Boot	Z191, Z191-RD, Z192
Vent Cap	Z193
Flashing Sleeves and Scupper Sleeves	Z195, Z196, Z197, Z198
Downspout Nozzle	Z199, Z199-DC

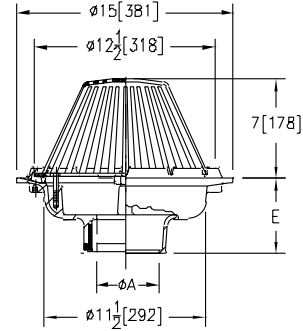
For additional product information, please visit www.zurn.com.

Z100 15" [381 MM] DIAMETER MAIN ROOF DRAIN WITH HIGH PROFILE DOME



ENGINEERING SPECIFICATION

Zurn Z100 15" [381mm] diameter roof drain features Dura-Coated cast iron body with combination membrane flashing clamp/gravel guard and Poly-Dome.



A Pipe Size inches [mm]	Dome Open Area sq in [cm ²]	Approximate Weight lb [kg]
2 [51], 3 [76], 4 [102]	148 [955]	26 [12]
6 [152]		27 [12]
8 [203]		28 [13]

PREFIXES	DESCRIPTION	PIPE SIZE	LIST PRICE
Z100*	D.C.C.I. Body with Polydome	2", 3", 4"	334.00
		6"	474.00
		8"	474.00
ZA100	D.C.C.I. Body with Aluminum Dome	2", 3", 4"	404.00
		6"	545.00
		8"	545.00
ZC100	D.C.C.I. Body with Cast Iron Dome	2", 3", 4"	404.00
		6"	545.00
		8"	545.00
ZRB100	D.C.C.I. Body with Plain Bronze Dome	2", 3", 4"	1,023.00
		6"	1,197.00
		8"	1,197.00

OUTLETS (SPECIFY PIPE SIZE IN INCHES AND TYPE OF OUTLET)			
OUTLET TYPE	OUTLET DESIGNATION (PIPE SIZE/OUTLET TYPE)	E BODY HT. DIM.	ADD
IC	Inside Caulk 3IC, 4IC, 6IC	5-1/4" [133mm]	72.00
IP	Threaded 2IP, 3IP, 4IP, 6IP, 8IP	3-3/4" [95mm]	72.00
NH	No-Hub 2NH, 3NH, 4NH, 6NH, 8NH	5-1/4" [133mm]	N/C
NL	Neo-Loc (not recommended for roof drains) 2NL, 3NL, 4NL	4-9/16" [116mm]	34.00
	6NL	5-7/16" [138mm]	34.00

SUFFIXES		ADD
-A	Waterproof Flange	86.00
-AC	Angular Underdeck Clamp	259.00
-AR	Acid Resistant Epoxy Coated Finish	349.00
-AW	3/4" [19mm] to 4" [102mm] Adjustable Water Level Regulator (Specify Height) (ZC Only)	406.00
	For Each Additional 1" [25mm] above 4" [102mm]	139.00
-C	Underdeck Clamp	128.00
Ⓢ -DE	Deck Extension (Includes Deck Plate -DP)	D.C.C.I. 504.00 Galv. 712.00
Ⓢ -DP	Top-Set® Roof Deck Plate (Replaces both -C and -R)	167.00
Ⓢ -DR	Top-Set Adjustable Drain Riser Extension Assembly	D.C.C.I. 786.00 Galv. 987.00
-E	Static Extension 1" [25mm] thru 4" [102mm] (Specify Height)	D.C.C.I. 218.00 Galv. 325.00
-EA	Adjustable Extension Assembly 2-1/8" [54mm] thru 3-1/2" [89mm]	D.C.C.I. 390.00 Galv. 519.00
	For E and EA Extensions Greater than 4" [102mm] - Per Inch (Specify Height)	D.C.C.I. 111.00 Galv. 155.00
Ⓢ -EB	Top-Set Adjustable Extension Assembly	303.00
-FG	Flush Grate (Replaces Dome Strainer)	431.00
-G	Galvanized Cast Iron	Z100 223.00 ZC100 445.00
-R	Roof Sump Receiver	128.00
-SC	Secondary Clamp Collar	111.00
-SS	Stainless Steel Mesh Screen Over Dome	492.00
Ⓢ -TC	Neo-Loc Test Cap Gasket (2", 3", 4" [51mm-102mm] NL Bottom Outlet Only)	86.00
-VP	Vandal-Proof Secured Top	90.00
-W2	2" [51mm] Internal Water Dam	318.00
-W3	3" [76mm] Internal Water Dam	318.00
-W4	4" [102mm] Internal Water Dam	318.00
-84	Stainless Steel Perforated Gravel Guard 1" [25mm] thru 6" [152mm]	361.00
	For Each Additional 1" [25mm] above 6" [102mm] - Per Inch (Specify Height)	56.00
-85	Stainless Steel Perforated Extension 1" [25mm] thru 6" [152mm]	458.00
	For Each Additional 1" [25mm] above 6" [102mm] - Per Inch (Specify Height)	56.00
-89	2" [51mm] High External Water Dam	104.00
-90	90° Threaded Side Outlet Body (2", 3", 4", 6") [51mm-152mm]	174.00

*Regularly furnished unless otherwise specified.

Ⓢ This symbol denotes a product that is engineered to reduce installation and rework time.

For additional product information, please visit www.zurn.com.

INTRO ROOF DRAINS FLOOR DRAINS T, P, BW VALVES INTERCEPTORS CARRIERS HYDRANTS CLEANOUTS W/HA SS DRAINS FAB SS DRAINS SAN-FLOOR TECH INFO

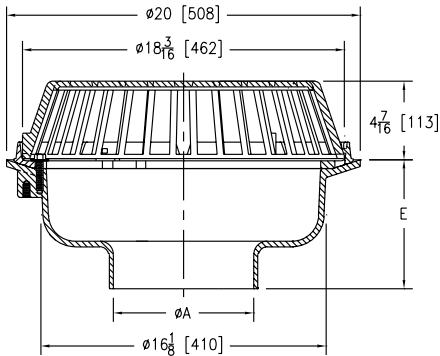
Z101 HIGH CAPACITY 20" [508 MM] DIAMETER MAIN ROOF DRAIN WITH LOW SILHOUETTE DOME



ENGINEERING SPECIFICATION

Zurn Z101 20" [508mm] diameter roof drain features Dura-Coated cast iron body with combination membrane flashing clamp/gravel guard and low silhouette cast iron dome.

A Pipe Size inches [mm]	Dome Open Area sq in [cm ²]	Approximate Weight lb [kg]
8 [203]	216 [1394]	77 [35]
10 [254]		78 [35]
12 [305]		79 [36]



PREFIXES	DESCRIPTION	PIPE SIZE	LIST PRICE
Z101*	D.C.C.I. Body with Cast Iron Dome	8"	1,855.00
		10"	2,043.00
		12"	2,190.00

OUTLETS (SPECIFY PIPE SIZE IN INCHES AND TYPE OF OUTLET)				
OUTLET TYPE	OUTLET DESIGNATION (PIPE SIZE/OUTLET TYPE)	E BODY HT. DIM.	ADD	
NH	No-Hub	8NH, 10NH, 12NH	7-5/16" [185mm]	N/C
SUFFIXES				
			ADD	
-AR	Acid Resistant Epoxy Coated Finish		1,842.00	
-C	Under Deck Clamp		128.00	
Ⓢ -DP	Top Set® Roof Deck Plate (Replaces both -C and -R)		759.00	
-E	Static Extension 1" [25mm] thru 4" [102mm] (Specify Height)	D.C.C.I.	973.00	
		Galv.	1,473.00	
Ⓢ -EB	Top-Set Adjustable Extension Assembly		303.00	
-G	Galvanized Cast Iron		1,359.00	
-R	Roof Sump Reciever		128.00	
-W2	2" [51mm] Internal Water Dam		1,053.00	
-W3	3" [76mm] Internal Water Dam		1,053.00	
-W4	4" [102mm] Internal Water Dam		1,053.00	
-89	2" [51mm] High External Water Dam		670.00	

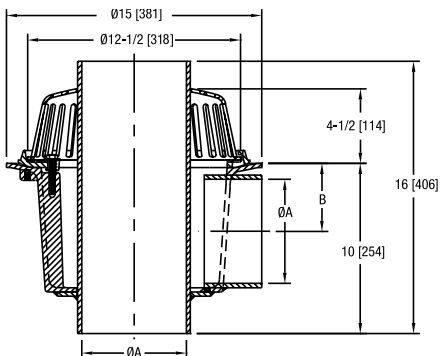
Ⓢ Z103 15" [381 MM] DIAMETER DEEP SUMP DUAL OUTLET ROOF DRAIN WITH LOW SILHOUETTE DOME



ENGINEERING SPECIFICATION

Zurn Z103 15" [381mm] diameter dual outlet roof drain with 90° primary outlet connection features Dura-Coated cast iron deep sump body with combination membrane flashing clamp/gravel guard, overflow pipe (3" [76mm], 4" [102mm], and 6" [152mm]), and low silhouette cast iron dome.

A Pipe Size inches [mm]	B inches [mm]	Dome Open Area sq in [cm ²]	Approximate Weight lb [kg]
3 [76]	5-9/16 [141]	103 [665]	60 [27]
4 [102]	5-1/16 [129]		
6 [152]	4 [102]		



PREFIXES	DESCRIPTION	PIPE SIZE	LIST PRICE
Z103*	D.C.C.I. Body with Cast Iron Dome	3"	2,284.00
		4"	2,624.00
		6"	2,757.00

OUTLETS (SPECIFY PIPE SIZE IN INCHES AND TYPE OF OUTLET)			
OUTLET TYPE	OUTLET DESIGNATION (PIPE SIZE/OUTLET TYPE)	ADD	
NH	No-Hub	3NH, 4NH, 6NH	N/C
SUFFIXES			
			ADD
-AR	Acid Resistant Epoxy Coated Finish		1,066.00
-C	Underdeck Clamp		189.00
Ⓢ -DP	Top-Set® Roof Deck Plate (Replaces -C)		327.00
-DU	Cast Iron Dome on Overflow Pipe	3" [76mm] and 4" [120mm]	944.00
		6" [152mm]	1,443.00
		Static Extension 1" [25] through 4" [102] (Specify Height)	518.00
-E	Galvanized Cast Iron		753.00
-MS	Perforated Screen on Overflow Pipe		293.00
-SS	Stainless Steel Mesh Screen Over Dome		395.00
-VP	Vandal-Proof Secured Top		98.00
-20F	2" [51mm] High Overflow Pipe		N/C
-45	45° Primary Outlet Connection (3" [76mm] and 4" [120mm] Pipe Size Only)		N/C
-84	Stainless Steel Perforated Gravel Guard		617.00

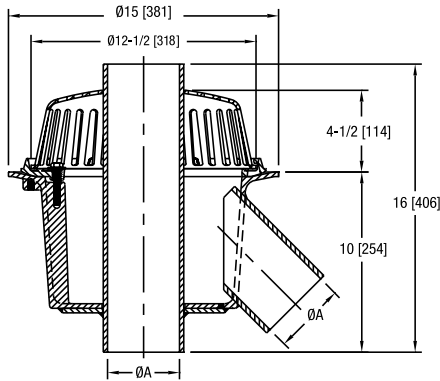
Z103-45 45° 15" [381 MM] DIAMETER DEEP SUMP DUAL OUTLET ROOF DRAIN WITH LOW SILHOUETTE DOME



ENGINEERING SPECIFICATION

Zurn Z103-45 15" [381mm] diameter dual outlet roof drain with 45° primary outlet connection features Dura-Coated cast iron deep sump body with combination membrane flashing clamp/ gravel guard, overflow pipe (3" [76mm], 4" [102mm], and 6" [152mm]), and low silhouette cast iron dome.

A Pipe Size inches [mm]	B inches [mm]	Dome Open Area sq in [cm ²]	Approximate Weight lb [kg]
3 [76]	9-7/16 [240]	103 [665]	60 [27]
4 [102]	10-1/4 [260]		
6 [152]	10-15/16 [278]		



PREFIXES	DESCRIPTION	PIPE SIZE	LIST PRICE
Z103-45*	D.C.C.I. Body with Cast Iron Dome	3"	2,284.00
		4"	2,624.00
		6"	2,757.00

OUTLETS (SPECIFY PIPE SIZE IN INCHES AND TYPE OF OUTLET)

OUTLET TYPE	OUTLET DESIGNATION (PIPE SIZE/OUTLET TYPE)	ADD
NH	No-Hub 3NH, 4NH, 6NH	N/C

SUFFIXES

SUFFIXES	DESCRIPTION	ADD	
-AR	Acid Resistant Epoxy Coated Finish	1,066.00	
-C	Underdeck Clamp	189.00	
⌚ -DP	Top-Set® Roof Deck Plate (Replaces -C)	327.00	
-DU	Cast Iron Dome on Overflow Pipe	3" [76mm] and 4" [120mm]	944.00
		6" [152mm]	1,443.00
-E	Static Extension 1" [25mm] thru 4" [102mm] (Specify Height)	518.00	
-G	Galvanized Cast Iron	753.00	
-MS	Perforated Screen on Overflow Pipe	293.00	
-SS	Stainless Steel Mesh Screen Over Dome	395.00	
-VP	Vandal-Proof Secured Top	98.00	
-20F	2" [51mm] High Overflow Pipe	N/C	
-84	Stainless Steel Perforated Gravel Guard	617.00	

*Regularly furnished unless otherwise specified.

⌚ This symbol denotes a product that is engineered to reduce installation and rework time.

For additional product information, please visit www.zurn.com.

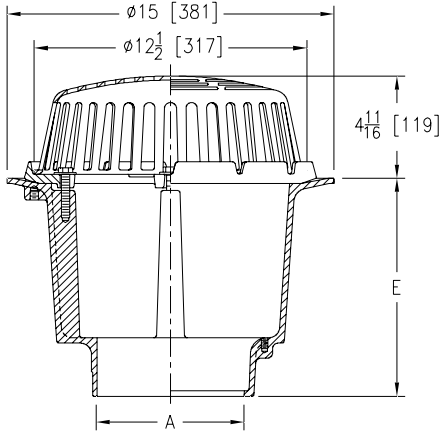
Z104 15" [381 MM] DIAMETER DEEP SUMP ROOF DRAIN WITH LOW SILHOUETTE DOME



ENGINEERING SPECIFICATION

Zurn Z104 15" [381mm] diameter roof drain features Dura-Coated cast iron deep sump body with combination membrane flashing clamp/ gravel guard and low silhouette polydome.

A Pipe Size inches [mm]	Dome Open Area sq in [cm ²]	Approximate Weight lb [kg]
3 [76], 4 [102]	103 [665]	46 [21]
6 [152], 8 [203]		



PREFIXES	DESCRIPTION	PIPE SIZE	LIST PRICE
Z104*	D.C.C.I. Body with Polydome	3", 4"	1,242.00
		6", 8"	1,762.00
ZA104	D.C.C.I. Body with Aluminum Dome	3", 4"	1,380.00
		6", 8"	1,902.00
ZC104	D.C.C.I. Body with Cast Iron Dome	3", 4"	1,380.00
		6", 8"	1,902.00

OUTLETS (SPECIFY PIPE SIZE IN INCHES AND TYPE OF OUTLET)			
OUTLET TYPE	OUTLET DESIGNATION (PIPE SIZE/OUTLET TYPE)	E BODY HT. DIM.	ADD
NH	No-Hub	3NH, 4NH, 6NH, 8NH	10" [254mm] N/C
NL	Neo-Loc (not recommended for roof drains)	3NL, 4NL	9-5/16" [237mm] 72.00

SUFFIXES			ADD
-AC	Angular Underdeck Clamp		259.00
-AR	Acid Resistant Epoxy Coated Finish		349.00
-AW	Adjustable Water Level Regulator 3/4" [19mm] thru 4" [102mm] (ZC Only)		406.00
	For Each Additional 1" [25mm] above 4" [102mm] - Per Inch (Specify Height)		139.00
-C	Underdeck Clamp		128.00
-DX	Dex-O-Tex Flange		753.00
-E	Static Extension 1" [25mm] thru 4" [102mm] (Specify Height)	D.C.C.I.	218.00
		Galv.	325.00
-EA	Adjustable Extension Assembly 2-1/8" [54mm] thru 3-1/2" [89mm] (Specify Height)	D.C.C.I.	390.00
		Galv.	519.00
	For E and EA Extensions Greater than 4" [102mm] - Per Inch (Specify Height)	D.C.C.I.	111.00
		Galv.	155.00
-FG	Flush Grate (Replaces Dome Strainer)		431.00
-G	Galvanized Cast Iron	Z	223.00
		ZC	445.00
-HD	6-3/4" [171mm] High Aluminum Dome Strainer, Open Area 148 Sq. In. [955cm ²] (ZA Only)		137.00
-R	Roof Sump Receiver		128.00
-SC	Secondary Clamping Collar		111.00
-SS	Stainless Steel Mesh Screen Over Dome		492.00
-VP	Vandal-Proof Secured Top		90.00
-W2	2" [51mm] Internal Water Dam		318.00
-W3	3" [76mm] Internal Water Dam		318.00
-W4	4" [102mm] Internal Water Dam		318.00
-84	Stainless Steel Perforated Gravel Guard 1" [25mm] thru 4" [152mm] (Specify Height)		361.00
		For Each Additional 1" [25mm] above 4" [102mm] - Per Inch (Specify Height)	56.00
-85	Stainless Steel Perforated Extension 1" [25mm] thru 4" [152mm] (Specify Height)		458.00
		For Each Additional 1" [25mm] above 4" [102mm] - Per Inch (Specify Height)	56.00
-89	2" [51mm] High External Water Dam		104.00

For additional product information, please visit www.zurn.com.

*Regularly furnished unless otherwise specified.

Ⓞ This symbol denotes a product that is engineered to reduce installation and rework time.

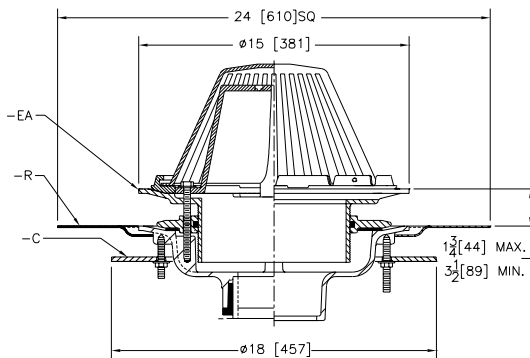
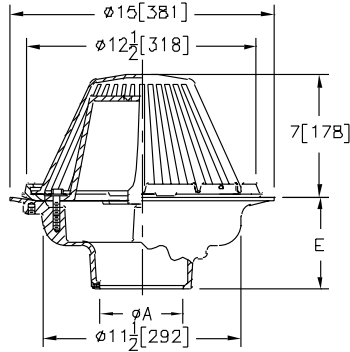
Z105 CONTROL-FLO™ ROOF DRAIN WITH PARABOLIC WEIR



ENGINEERING SPECIFICATION

Zurn Z105 15" [381mm] diameter Control-Flo roof drain for dead-level roof construction features Dura-Coated cast iron body. Control-Flo weir shall be linear functioning with integral membrane flashing clamp/gravel guard and polydome. All data shall be verified proportional to flow rates. Each notch will allow 10 GPM flow per inch of rain water buildup above the drain.

A Pipe Size inches [mm]	Dome Open Area sq in [cm ²]	Approximate Weight lb [kg]
2 [51], 3 [76], 4 [102]	148 [955]	34 [15]



Shown with -C-EA-R Options

ZURN Z105-C-EA-R Control-Flo Roof Drain for dead-level roof construction. Drain is as specified above, with Dura-Coated steel roof sump receiver (-R), Dura-Coated cast iron underdeck clamp (-C), and Dura-Coated cast iron adjustable extension and clamp ring with neoprene O-Ring seal (-EA).

PREFIXES	DESCRIPTION	PIPE SIZE	LIST PRICE
Z105*	D.C.C.I. Body with Polydome	2", 3", 4"	496.00
		6"	636.00
ZA105	D.C.C.I. Body with Aluminum Dome	2", 3", 4"	635.00
		6"	775.00

OUTLETS (SPECIFY PIPE SIZE IN INCHES AND TYPE OF OUTLET)			
OUTLET TYPE	OUTLET DESIGNATION (PIPE SIZE/OUTLET TYPE)	E BODY HT. DIM.	ADD
IC	Inside Caulk	3IC, 4IC	5-1/4" [133mm] 72.00
NH	No-Hub	2NH, 3NH, 4NH	5-1/4" [133mm] N/C
NL	Neo-Loc (not recommended for roof drains)	2NL, 3NL, 4NL	4-9/16" [116mm] 34.00

SUFFIXES	ADD
-A	Waterproof Flange 86.00
-AR	Acid-Resistant Epoxy Coated 349.00
-C	Underdeck Clamp 128.00
Ⓢ -DP	Top-Set® Roof Deck Plate (Replaces both -C and -R) 167.00
-E	Static Extension 1" [25mm] thru 4" [102mm] D.C.C.I. 218.00
	(Specify Height) Galv. 325.00
-EA	Adjustable Extension Assembly 2-1/8" [54mm] thru 3-1/2" [89mm] D.C.C.I. 390.00
	Galv. 519.00
	For E and EA Extensions Greater than 4" [102mm] - Per Inch (Specify Height) D.C.C.I. 111.00
	Galv. 155.00
-EB	Top-Set® Adjustable Extension Assembly (-DP with -EXT 6" [152mm]) Extension Hardware 303.00
-G	Galvanized Cast Iron 223.00
-R	Roof Sump Receiver 128.00
Ⓢ -TC	Neo-Loc Test Cap Gasket (2" [51mm] thru 4" [102mm] NL Bottom Outlet Only) 86.00
-VP	Vandal-Proof Secured Top 90.00

*Regularly furnished unless otherwise specified.

Ⓢ This symbol denotes a product that is engineered to reduce installation and rework time.

For additional product information, please visit www.zurn.com.

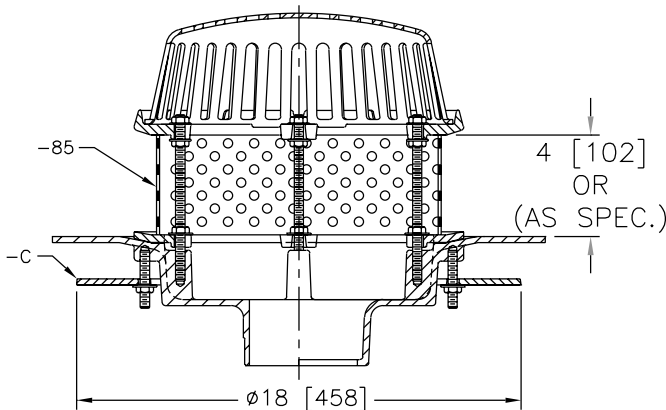
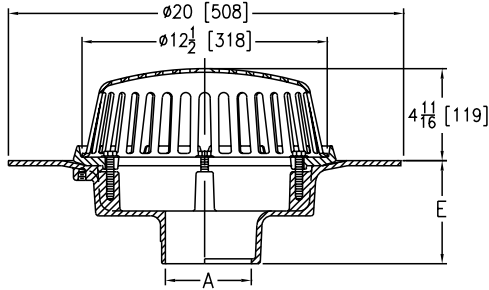
Z107 20" [508 MM] WIDE DECK FLANGE ROOF DRAIN



ENGINEERING SPECIFICATION

Zurn Z107 20" [508mm] diameter wide deck flange roof drain features Dura-Coated cast iron body with combination membrane flashing clamp/gravel guard and low silhouette polydome.

A Pipe Size inches [mm]	Dome Open Area sq in [cm ²]	Approximate Weight lb [kg]
3 [76], 4 [102]	103 [665]	39 [18]
6 [152], 8 [203]		



Shown with -C-85 Options

ZURN Z107-C-85 20" diameter Wide Deck Flange Roof Drain, as specified above, with perforated extension with flat clamp collar (-85), and Dura-Coated cast iron underdeck clamp (-C).

PREFIXES	DESCRIPTION	PIPE SIZE	LIST PRICE
Z107*	D.C.C.I. Body with Polydome	3", 4"	1,087.00
		6", 8"	1,204.00
ZA107	D.C.C.I. Body with Aluminum Dome	3", 4"	1,157.00
		6", 8"	1,297.00
ZC107	D.C.C.I. Body with Cast Iron Dome	3", 4"	1,157.00
		6", 8"	1,297.00

OUTLETS (SPECIFY PIPE SIZE IN INCHES AND TYPE OF OUTLET)				
OUTLET TYPE		OUTLET DESIGNATION (PIPE SIZE/OUTLET TYPE)	E BODY HT. DIM.	ADD
IC	Inside Caulk	3IC, 4IC, 6IC	5-1/4" [133mm]	69.00
IP	Threaded	3IP, 4IP	5-1/4" [133mm]	69.00
NH	No-Hub	3NH, 4NH, 6NH, 8NH	5-1/4" [133mm]	N/C

SUFFIXES			ADD
-AC	Angular Underdeck Clamp		259.00
-AR	Acid Resistant Epoxy Coated Finish		349.00
-AW	Adjustable Water Level Regulator 3/4" [19mm] thru 4" [102mm] (ZC Only)		406.00
		For Each Additional 1" [25mm] above 4" [102mm] - Per Inch (Specify Height)	139.00
-C	Underdeck Clamp		128.00
-E	Static Extension 1" [25mm] thru 4" [102mm] (Specify Height)	D.C.C.I.	218.00
		Galv.	325.00
-EA	Adjustable Extension Assembly 2-1/8" [54mm] thru 3-1/2" [89mm]	D.C.C.I.	390.00
		Galv.	519.00
		For E and EA Extensions Greater than 4" [102mm] - Per Inch (Specify Height)	D.C.C.I.
		Galv.	155.00
-FG	Flush Grate (Replaces Dome Strainer)		431.00
-G	Galvanized Cast Iron		223.00
-SS	Stainless Steel Mesh Screen Over Dome		492.00
-VP	Vandal-Proof Secured Top		90.00
-W2	2" [51mm] Internal Water Dam		318.00
-W3	3" [76mm] Internal Water Dam		318.00
-W4	4" [102mm] Internal Water Dam		318.00
-84	Stainless Steel Perforated Gravel Guard 1" [25mm] thru 4" [152mm]		361.00
		For Each Additional 1" [25mm] above 4" [102mm] - Per Inch (Specify Height)	56.00
-85	Stainless Steel Perforated Extension 1" [25mm] thru 4" [152mm]		458.00
		For Each Additional 1" [25mm] above 4" [102mm] - Per Inch (Specify Height)	56.00
-89	2" [51mm] High External Water Dam		104.00

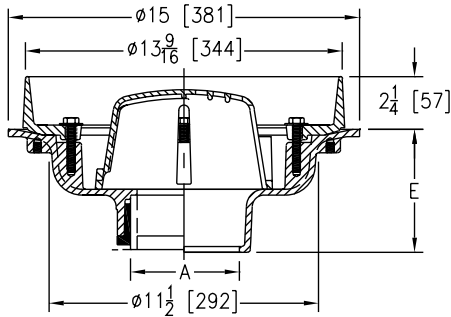
Z108 15" [381 MM] DIAMETER DECK RECEPTOR DRAIN



ENGINEERING SPECIFICATION

Zurn Z108 15" [381mm] diameter roof drain features Dura-Coated cast iron body with combination membrane flashing clamp, deck receptor frame, and internal bottom dome strainer.

A Pipe Size inches [mm]	Dome Open Area sq in [cm ²]	Approximate Weight lb [kg]
2 [51], 3 [76], 4 [102]	53 [342]	41 [19]
6 [152]		39 [18]
8 [203]		42 [19]



PREFIXES	DESCRIPTION	PIPE SIZE	LIST PRICE
Z108*	D.C.C.I. Body with Collar	2", 3", 4"	699.00
		6"	839.00
		8"	839.00

OUTLETS (SPECIFY PIPE SIZE IN INCHES AND TYPE OF OUTLET)				
OUTLET TYPE		OUTLET DESIGNATION (PIPE SIZE/OUTLET TYPE)	E BODY HT. DIM.	ADD
IC	Inside Caulk	3IC, 4IC, 6IC	5-1/4" [133mm]	72.00
IP	Threaded	2IP, 3IP, 4IP, 6IP, 8IP	3-3/4" [95mm]	72.00
NH	No-Hub	2NH, 3NH, 4NH, 6NH, 8NH	5-1/4" [133mm]	N/C
NL	Neo-Loc (not recommended for roof drains)	2NL, 3NL, 4NL	4-9/16" [116mm]	34.00

SUFFIXES		ADD
-AR	Acid Resistant Epoxy Coated Finish	349.00
-C	Underdeck Clamp	128.00
Ⓢ -DE	Deck Extension	D.C.C.I. 504.00 Galv. 712.00
Ⓢ -DP	Top-Set® Roof Deck Plate (Replaces Both -C and -R)	167.00
-E	Static Extension 1" [25mm] thru 4" [102mm] (Specify Height)	D.C.C.I. 218.00 Galv. 325.00
-EA	Adjustable Extension Assembly 2-1/8" [54mm] thru 3-1/2" [89mm]	D.C.C.I. 390.00 Galv. 519.00
	For E and EA Extensions Greater than 4" [102mm] - Per Inch (Specify Height)	D.C.C.I. 111.00 Galv. 155.00
-FG	Flush Grate (Replaces Dome Strainer)	431.00
-G	Galvanized Cast Iron	223.00
-HD	6-3/4" [171mm] High Aluminum Dome Strainer (61 Sq. In. Open Area)	69.00
-R	Roof Sump Receiver	128.00
Ⓢ -TC	Neo-Loc Test Cap Gasket (2" [51mm] thru 4" [102mm] NL Bottom Outlet Only)	86.00

*Regularly furnished unless otherwise specified.

Ⓢ This symbol denotes a product that is engineered to reduce installation and rework time.

For additional product information, please visit www.zurn.com.

INTRO ROOF DRAINS FLOOR DRAINS T, P, BW VALVES INTERCEPTORS CARRIERS HYDRANTS CLEANOUTS W/HA SS DRAINS FAB SS DRAINS SANI-FLOOR TECH INFO

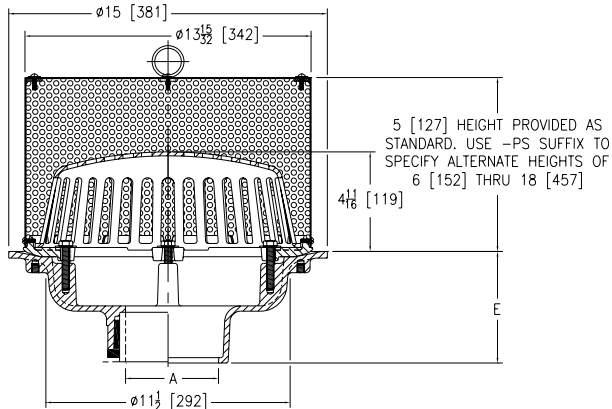
Z110 15" [381 MM] GREEN ROOF DRAIN WITH PERFORATED SCREEN ASSEMBLY, AND REMOVABLE COVER WITH LIFT HANDLE



ENGINEERING SPECIFICATION

Zurn Z110 15" green roof drain features Dura-Coated cast iron body with combination membrane flashing clamp/gravel guard and low silhouette polydome. Complete with secured Type 304 (CF8) stainless steel, perforated screen assembly with secured, removable access cover with lift handle.

A Pipe Size inches [mm]	Dome Open Area sq in [cm ²]	Approximate Weight lb [kg]
2 [51], 3 [76], 4 [102]	103 [665]	30 [14]
6 [152]		32 [15]
8 [203]		33 [15]



PREFIXES	DESCRIPTION	PIPE SIZE	LIST PRICE
Z110*	D.C.C.I. Body with Polydome	2", 3", 4", 6", 8"	POA
ZA110	D.C.C.I. Body with Aluminum Dome	2", 3", 4", 6", 8"	POA
ZC110	D.C.C.I. Body with Cast Iron Dome	2", 3", 4", 6", 8"	POA

OUTLETS (SPECIFY PIPE SIZE IN INCHES AND TYPE OF OUTLET)				
OUTLET TYPE		OUTLET DESIGNATION (PIPE SIZE/OUTLET TYPE)	E BODY HT. DIM.	ADD
IC	Inside Caulk	3IC, 4IC, 6IC	5-1/4" [133mm]	72.00
IP	Threaded	3IP, 4IP, 6IP, 8IP	3-3/4" [95mm]	72.00
NH	No-Hub	2NH, 3NH, 4NH, 6NH, 8NH	5-1/4" [133mm]	N/C
NL	Neo-Loc (not recommended for roof drains)	2NL, 3NL, 4NL	4-9/16" [116mm]	34.00
		6NL	5-7/16" [138mm]	34.00

SUFFIXES				ADD
-AC	Angular Underdeck Clamp			259.00
-AR	Acid Resistant Epoxy Coated Finish			349.00
-C	Underdeck Clamp			128.00
Ⓢ -DE	Deck Extension (Includes Deck Plate -DP)	D.C.C.I.		504.00
		Galv.		712.00
Ⓢ -DP	Top-Set® Roof Deck Plate (Replaces Both the -C and -R)			167.00
-E	Static Extension 1" [25mm] thru 4" [102mm] (Specify Height)	D.C.C.I.		218.00
		Galv.		325.00
-EA	Adjustable Extension Assembly 2-1/8" [54mm] thru 3-1/2" [89mm]	D.C.C.I.		390.00
		Galv.		519.00
	For E and EA Extensions Greater than 4" [102mm] - Per Inch (Specify Height)	D.C.C.I.		111.00
		Galv.		155.00
Ⓢ -EB	Top-Set Adjustable Extension Assembly			303.00
-G	Galvanized Cast Iron	Z110		223.00
		ZC110		445.00
-PS	Perforated Screen 6" [152mm] thru 18" [457mm] (Specify Height)			POA
-R	Roof Sump Receiver			128.00
-ST	Dome with Solid Top (ZA and ZC Only)			395.00
Ⓢ -TC	Neo-Loc Test Cap Gasket (2" [51mm] thru 4" [102mm] NL Bottom Outlet Only)			86.00
-VP	Vandal-Proof Secured Screen Cover			90.00
-W2	2" [51mm] Internal Water Dam			318.00
-W3	3" [76mm] Internal Water Dam			318.00
-W4	4" [102mm] Internal Water Dam			318.00
-85	Stainless Steel Perforated Extension 1" [25mm] thru 4" [152mm]			458.00
	For Each Additional 1" [25mm] above 4" [102mm] - Per Inch (Specify Height)			56.00

Z110-AI GREEN ROOF DRAIN WITH PERFORATED SCREEN ASSEMBLY, REMOVABLE COVER WITH LIFT HANDLE, AND AUXILIARY INLET



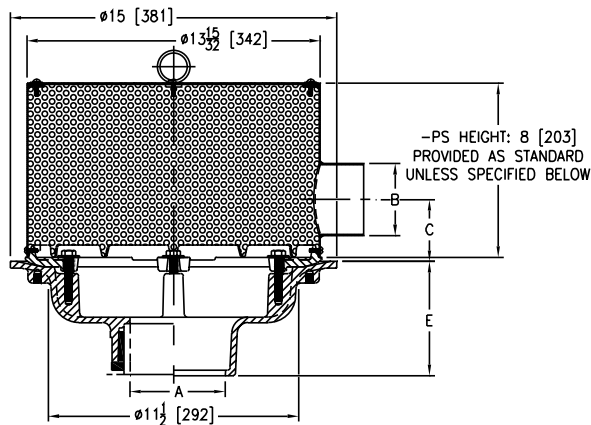
ENGINEERING SPECIFICATION

Zurn Z110-AI green roof drain features Dura-Coated cast iron body with combination membrane flashing and clamp/gravel guard. Complete with secured Type 304 (CF8) stainless steel, perforated screen assembly with secured, removable access cover with lift handle and auxiliary no-hub inlet connection.

NOTES

Auxiliary inlet sizes are only available as configured below. Auxiliary inlet size 'B' cannot exceed pipe size 'A'.

Dimensions in inches [mm]			Approximate Weight lb [kg]
A	B	C	
2 [51]	2 [51]	2-11/32 [60]	32 [15]
3 [76]	2 [51]	2-11/32 [60]	33 [15]
	3 [76]	2-27/32 [72]	
4 [102], 6 [152], 7 [178], 8 [203]	2 [51]	2-11/32 [60]	34 [15]
	3 [76]	2-27/32 [72]	
	4 [102]	3-3/8 [86]	



PREFIXES	DESCRIPTION	A PIPE SIZE	B AUX. INLET	LIST PRICE
Z110	D.C.C.I. with Type 304 Perforated Stainless Steel Screen Assembly	2"	2"	Combine with Product Designation for Pricing
		3"	2", 3"	
		4", 6", 7", 8"	2", 3", 4"	

PRODUCT DESIGNATION	B AUX. INLET	C DIM.	LIST PRICE	
-2AI	2" Auxiliary Inlet	2"	2-11/32"	POA
-3AI	3" Auxiliary Inlet	2"	2-11/32"	POA
		3"	2-27/32"	POA
-4AI	4" Auxiliary Inlet	2"	2-11/32"	POA
		3"	2-27/32"	POA
		4"	3-3/8"	POA

OUTLETS (SPECIFY PIPE SIZE IN INCHES AND TYPE OF OUTLET)				
OUTLET TYPE		OUTLET DESIGNATION (PIPE SIZE/OUTLET TYPE)	E BODY HT. DIM.	ADD
IC	Inside Caulk	3IC, 4IC, 6IC	5-1/4" [133mm]	72.00
IP	Threaded	2IP, 3IP, 4IP, 6IP, 8IP	3-3/4" [95mm]	72.00
NH	No-Hub	2NH, 3NH, 4NH, 6NH, 8NH	5-1/4" [133mm]	N/C
NL	Neo-Loc (not recommended for roof drains)	2NL, 3NL, 4NL	4-9/16" [116mm]	34.00
		6NL	5-7/16" [138mm]	34.00

SUFFIXES		ADD
-AC	Angular Underdeck Clamp	259.00
-AR	Acid Resistant Epoxy Coated Finish	349.00
-C	Underdeck Clamp	128.00
ⓐ -DE	Deck Extension (Includes Deck Plate -DP)	D.C.C.I. 504.00 Galv. 712.00
ⓐ -DP	Top-Set® Roof Deck Plate (Replaces both the -C and -R)	167.00
ⓐ -DR	Top-Set Drain Riser	D.C.C.I. 786.00
		Galv. 987.00
-E	Static Extension 1" [25mm] thru 4" [102mm] (Specify Height)	D.C.C.I. 218.00
		Galv. 325.00
-EA	Adjustable Extension Assembly 2-1/8" [54mm] thru 3-1/2" [89mm]	D.C.C.I. 390.00
		Galv. 519.00
	For E and EA Extensions Greater than 4" [102mm] - Per Inch (Specify Height)	D.C.C.I. 111.00 Galv. 155.00
ⓐ -EB	Top-Set Adjustable Extension Assembly	303.00
-G	Galvanized Cast Iron	223.00
-PS	Perforated Screen 9" [229mm] thru 18" [457mm] (Specify Height)	POA
-R	Roof Sump Receiver	128.00
ⓐ -TC	Neo-Loc Test Cap Gasket (2", 3", 4" [51mm-102mm] NL Bottom Outlet Only)	86.00
-VP	Vandal-Proof Secured Screen Cover	90.00

*Regularly furnished unless otherwise specified.

ⓐ This symbol denotes a product that is engineered to reduce installation and rework time.

For additional product information, please visit www.zurn.com.

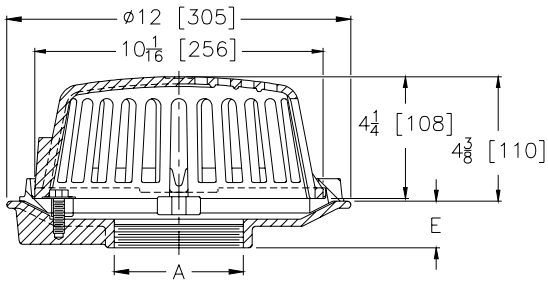
Z111 12" [305 MM] DIAMETER FLAT DECK ROOF DRAIN FOR METAL DECKS



ENGINEERING SPECIFICATION

Zurn Z111 12" [305mm] diameter flat deck roof drain for metal decks features Dura-Coated cast iron body with combination membrane flashing clamp/gravel guard and low silhouette cast iron dome.

A Pipe Size inches [mm]	Dome Open Area sq in [cm ²]	Approximate Weight lb [kg]
3 [76], 4 [102]	78 [503]	22 [10]
6 [152]		24 [11]



PREFIXES	DESCRIPTION	PIPE SIZE	LIST PRICE
Z111*	D.C.C.I. Body with 4-1/4" Dome	3", 4"	490.00
		6"	849.00

OUTLETS (SPECIFY PIPE SIZE IN INCHES AND TYPE OF OUTLET)				
OUTLET TYPE		OUTLET DESIGNATION (PIPE SIZE/OUTLET TYPE)	E BODY HT. DIM.	ADD
IP	Threaded	3IP, 4IP	1-5/8" [41mm]	N/C
		6IP	1-7/8" [48mm]	N/C

SUFFIXES		ADD
-C	Underdeck Clamp	128.00
-FG	Flush Grate (Z only)	431.00
-G	Galvanized Cast Iron	223.00
-R	Roof Sump Receiver	128.00
-SS	Stainless Mesh Screen Over Dome	492.00
-VP	Vandal-Proof Secured Top	90.00

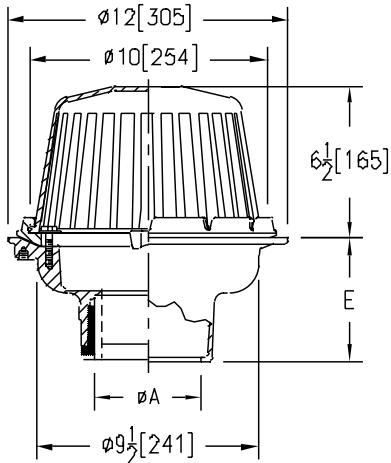
Z121 12" [305 MM] DIAMETER ROOF DRAIN LOW SILHOUETTE DOME



ENGINEERING SPECIFICATION

Zurn Z121 12" [305mm] diameter roof drain features Dura-Coated Cast Iron body with combination membrane flashing clamp/gravel guard and polydome.

A Pipe Size inches [mm]	Dome Open Area sq in [cm ²]	Approximate Weight lb [kg]
2 [51], 3 [76], 4 [102], 6 [152]	78 [503]	22 [10]



PREFIXES	DESCRIPTION	PIPE SIZE	LIST PRICE
Z121*	D.C.C.I. Body with 4-1/4" [108mm] Polydome	2", 3", 4", 6"	281.00
ZA121	D.C.C.I. Body with 6-9/16" [167mm] Aluminum Dome	2", 3", 4", 6"	356.00
ZC121	D.C.C.I. Body with Low-Silhouette Cast Iron Dome	2", 3", 4", 6"	356.00

OUTLETS (SPECIFY PIPE SIZE IN INCHES AND TYPE OF OUTLET)				
OUTLET TYPE		OUTLET DESIGNATION (PIPE SIZE/OUTLET TYPE)	E BODY HT. DIM.	ADD
IC	Inside Caulk	2IC, 3IC, 4IC, 6IC	5-1/4" [133mm]	72.00
IP	Threaded	2IP, 3IP, 4IP, 6IP	3-3/4" [95mm]	72.00
NH	No-Hub	2NH, 3NH, 4NH, 6NH	5-1/4" [133mm]	N/C
NL	Neo-Loc (not recommended for roof drains)	2NL, 3NL, 4NL	4-5/8" [117mm]	34.00

SUFFIXES		ADD
-A	Waterproof Flange	86.00
-AR	Acid Resistant Epoxy Coated Finish	336.00
-C	Underdeck Clamp	128.00
Ⓢ -DP	Top-Set® Roof Deck Plate (Replaces both -C and -R)	222.00
-E	2" [51mm] High Static Extension	D.C.C.I. 218.00 Galv. 325.00
	For Each Additional 1" [25mm] above 2" [51mm] - Per Inch (Specify Height)	D.C.C.I. 111.00 Galv. 155.00
Ⓢ -EB	Top-Set Adjustable Extension Assembly	303.00
-FG	Flush Grate	431.00
-G	Galvanized Cast Iron	223.00
-R	Roof Sump Receiver	128.00
-SC	Secondary Clamping Collar	111.00
-SS	Stainless Steel Mesh Screen Over Dome	492.00
Ⓢ -TC	Neo-Loc Test Cap Gasket (2", 3", 4" [51mm-102mm] NL Bottom Outlet Only)	86.00
-VP	Vandal-Proof Secured Top	90.00
-84	Stainless Steel Perforated Gravel Guard 1" [25mm] thru 4" [152mm]	336.00
	For Each Additional 1" [25mm] above 4" [102mm] - Per Inch (Specify Height)	56.00
-85	Stainless Steel Perforated Extension 1" [25mm] thru 4" [152mm]	422.00
	For Each Additional 1" [25mm] above 4" [102mm] - Per Inch (Specify Height)	56.00
-89	2" [51mm] High External Water Dam	95.00
-90	90° Threaded Side Outlet Body (2" [51mm] thru 4" [102mm])	164.00

*Regularly furnished unless otherwise specified.

Ⓢ This symbol denotes a product that is engineered to reduce installation and rework time.

For additional product information, please visit www.zurn.com.

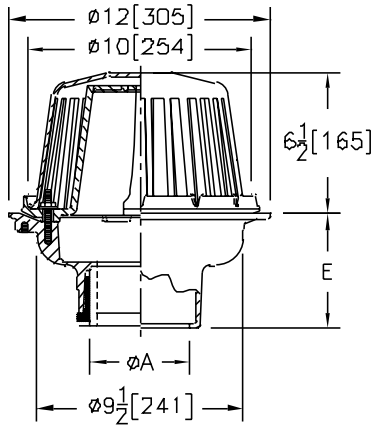
ZCF121 12" [305 MM] DIAMETER ROOF DRAIN



ENGINEERING SPECIFICATION

Zurn ZCF121 12" [305mm] diameter Control-Flo roof drain for dead-level roof construction, Dura-Coated cast iron body. Control-Flo weir shall be linear functioning with integral membrane flashing clamp/gravel guard and Poly-Dome. All data shall be verified proportional to flow rates."

A Pipe Size inches [mm]	Dome Open Area sq in [cm ²]	Approximate Weight lb [kg]
2 [51], 3 [76], 4 [102], 6 [152]	78 [503]	22 [10]



PREFIXES	DESCRIPTION	PIPE SIZE	LIST PRICE
ZCF121*	D.C.C.I. Body with 4-1/4" [108mm] Polydome	2", 3", 4", 6"	455.00
ZCFA121	D.C.C.I. Body with 6-9/16" [167mm] Aluminum Dome	2", 3", 4", 6"	525.00

OUTLETS (SPECIFY PIPE SIZE IN INCHES AND TYPE OF OUTLET)				
OUTLET TYPE		OUTLET DESIGNATION (PIPE SIZE/OUTLET TYPE)	E BODY HT. DIM.	ADD
IC	Inside Caulk	2IC, 3IC, 4IC, 6IC	5-1/4" [133mm]	72.00
IP	Threaded	2IP, 3IP, 4IP, 6IP	3-3/4" [95mm]	72.00
NH	No-Hub	2NH, 3NH, 4NH, 6NH	5-1/4" [133mm]	N/C
NL	Neo-Loc (not recommended for roof drains)	2NL, 3NL, 4NL	4-5/8" [117mm]	34.00

SUFFIXES			ADD
-A	Waterproof Flange		86.00
-AR	Acid Resistant Epoxy Coated Finish		336.00
-C	Underdeck Clamp		128.00
Ⓢ -DP	Top-Set® Roof Deck Plate (Replaces both -C and -R)		167.00
-DR	Top-Set® Drain Riser	D.C.C.I.	786.00
		Galv.	987.00
-E	2" [51mm] High Static Extension	D.C.C.I.	218.00
		Galv.	325.00
		For Each Additional 1" [25mm] above 2" [51mm] - Per Inch (Specify Height)	D.C.C.I. Galv.
Ⓢ -EB	Top-Set Adjustable Extension Assembly		303.00
-G	Galvanized Cast Iron		223.00
-R	Roof Sump Receiver		128.00
-SC	Secondary Clamping Collar		111.00
Ⓢ -TC	Neo-Loc Test Cap Gasket (2", 3", 4" [51mm-102mm] NL Bottom Outlet Only)		86.00
-VP	Vandal-Proof Secured Top		90.00
-90	90° Threaded Side Outlet Body (2" [51mm] thru 4" [102mm])		164.00

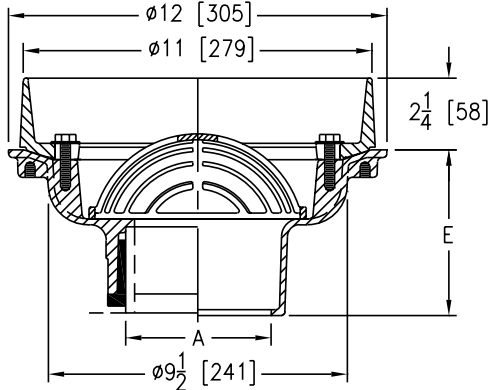
Z122 12" [305 MM] DIAMETER DECK RECEPTOR DRAIN



ENGINEERING SPECIFICATION

Zurn Z122 12" [305mm] diameter deck receptor drain features Dura-Coated cast iron body with combination membrane flashing clamp/deck receptor frame and internal dome strainer.

A Pipe Size inches [mm]	Approximate Weight lb [kg]
2 [51], 3 [76], 4 [102], 6 [152]	29 [13]



PREFIXES	DESCRIPTION	PIPE SIZE	LIST PRICE
Z122*	D.C.C.I. Body with Collar	2", 3", 4", 6"	500.00

OUTLETS (SPECIFY PIPE SIZE IN INCHES AND TYPE OF OUTLET)

OUTLET TYPE	OUTLET DESIGNATION (PIPE SIZE/OUTLET TYPE)	E BODY HT. DIM.	ADD
NH	No-Hub	2NH, 3NH, 4NH, 6NH	5-1/4" [133mm] N/C
NL	Neo-Loc (not recommended for roof drains)	2NL, 3NL, 4NL	4-5/8" [117mm] 34.00

SUFFIXES

SUFFIXES	DESCRIPTION	ADD
-AR	Acid Resistant Epoxy Coated Finish	336.00
-C	Underdeck Clamp	128.00
⌚ -DP	Top-Set® Roof Deck Plate (Replaces both -C and -R)	167.00
-E	2" [51mm] High Static Extension	D.C.C.I. 218.00 Galv. 325.00
	For Each Additional 1" [25mm] above 2" [51mm] - Per Inch (Specify Height)	D.C.C.I. 111.00 Galv. 155.00
⌚ -EB	Top-Set Adjustable Extension Assembly	303.00
-G	Galvanized Cast Iron	223.00
-HD	High Dome	69.00
-R	Roof Sump Receiver	128.00
⌚ -TC	"Neo-Loc Test Cap Gasket (2" [51mm] thru 4" [102mm] NL Bottom Outlet Only)"	86.00

*Regularly furnished unless otherwise specified.

⌚ This symbol denotes a product that is engineered to reduce installation and rework time.

For additional product information, please visit www.zurn.com.

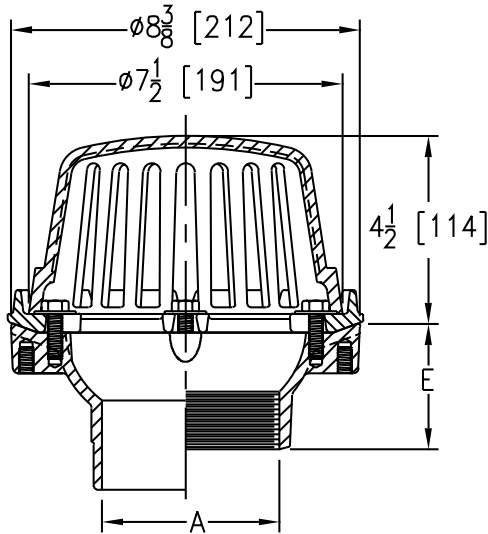
Z125 8-3/8" [203 MM] DIAMETER ROOF DRAIN LOW SILHOUETTE DOME



ENGINEERING SPECIFICATION

Zurn Z125 8-3/8" [203mm] diameter roof drain features Dura-Coated cast iron body with combination flashing clamp/gravel guard and low silhouette polydome.

A Pipe Size inches [mm]	Dome Open Area sq in [cm ²]	Approximate Weight lb [kg]
2 [51], 3 [76], 4 [102]	43 [277]	14 [6]



PREFIXES	DESCRIPTION	PIPE SIZE	LIST PRICE
Z125*	D.C.C.I. Body with 4-1/4" [108mm] Poly Dome	2", 3", 4"	227.00
ZA125	D.C.C.I. Body with 4-1/4" [108mm] Aluminum Dome	2", 3", 4"	378.00
ZC125	D.C.C.I. Body with Low Silhouette Cast Iron Dome	2", 3", 4"	378.00

OUTLETS (SPECIFY PIPE SIZE IN INCHES AND TYPE OF OUTLET)			
OUTLET TYPE	OUTLET DESIGNATION (PIPE SIZE/OUTLET TYPE)	E BODY HT. DIM.	ADD
IC	Inside Caulk	2IC, 3IC, 4IC	3-7/8" [98mm] N/C
IP	Threaded	2IP	2-7/16" [62mm] 61.00
		3IP	2-3/4" [70mm] 61.00
		4IP	3" [76mm] 61.00
NH	No-Hub	2NH, 3NH, 4NH	4" [102mm] N/C
NL	Neo-Loc (not recommended for roof drains)	2NL, 3NL, 4NL	3-13/16" [97mm] N/C
SUFFIXES			ADD
-AR	Acid Resistant Epoxy Coated Finish		290.00
-C	Underdeck Clamp		128.00
⊖ -DP	Top-Set® Roof Deck Plate (Replaces -C and -R)		222.00
-E	2" [51mm] High Static Extension		D.C.C.I. 218.00
			Galv. 325.00
	For Each Additional 1" [25mm] above 2" [51mm] - Per Inch (Specify Height)		D.C.C.I. 129.00
			Galv. 155.00
⊖ -EB	Top-Set Adjustable Extension Assembly		303.00
-FG	Flush Grate (Replaces Dome Strainer)		431.00
-G	Galvanized Cast Iron		223.00
-R	Roof Sump Receiver		128.00
-SC	Secondary Clamping Collar		111.00
-SS	Stainless Steel Mesh Screen Over Dome		402.00
⊖ -TC	Neo-Loc Test Cap Gasket (2", 3", 4" [51mm-102mm] NL Bottom Outlet Only)		86.00
-VP	Vandal-Proof Secured Top		90.00
-XJ	Vertical Expansion Joint (See Z190)		-
-84	Stainless Steel Perforated Gravel Guard 1" [25mm] thru 4" [152mm]		314.00
	For Each Additional 1" [25mm] above 4" [102mm] - Per Inch (Specify Height)		56.00
-85	Stainless Steel Perforated Extension 1" [25mm] thru 4" [152mm]		398.00
	For Each Additional 1" [25mm] above 4" [102mm] - Per Inch (Specify Height)		56.00
-89	2" [51mm] High External Water Dam		87.00
-90	90° Threaded Side Outlet Body (2" [51mm] thru 4" [102mm])		144.00

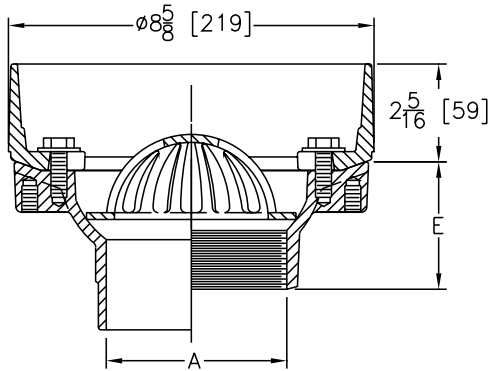
Z127 8-1/2" [216 MM] DIAMETER DECK RECEPTOR DRAIN



ENGINEERING SPECIFICATION

Zurn Z127 8-1/2" [216mm] diameter deck receptor drain features Dura-Coated cast iron body with combination membrane flashing clamp/deck receptor frame and internal dome strainer.

A Pipe Size inches [mm]	Approximate Weight lb [kg]
2 [51], 3 [76], 4 [102]	19 [9]



PREFIXES	DESCRIPTION	PIPE SIZE	LIST PRICE
Z127*	D.C.C.I. Body with Collar	2", 3", 4"	418.00

OUTLETS (SPECIFY PIPE SIZE IN INCHES AND TYPE OF OUTLET)

OUTLET TYPE	OUTLET DESIGNATION (PIPE SIZE/OUTLET TYPE)	E BODY HT. DIM.	ADD
IC	Inside Caulk	2IC, 3IC, 4IC	3-7/8" [98mm] 72.00
IP	Threaded	2IP	2-7/16" [62mm] 72.00
		3IP	2-3/4" [70mm] 72.00
		4IP	3" [76mm] 72.00
NH	No-Hub	2NH, 3NH, 4NH	3-31/32" [101mm] N/C
NL	Neo-Loc (not recommended for roof drains)	2NL, 3NL, 4NL	3-27/32" [98mm] 34.00

SUFFIXES

SUFFIXES	DESCRIPTION	ADD
-AR	Acid Resistant Epoxy Coated Finish	336.00
-C	Underdeck Clamp	128.00
ⓐ -DP	Top-Set® Roof Deck Plate (Replaces -C and -R)	167.00
-E	2" [51mm] High Static Extension	D.C.C.I. 218.00
		Galv. 325.00
	For Each Additional 1" [25mm] above 2" [51mm] - Per Inch (Specify Height)	D.C.C.I. 111.00
		Galv. 155.00
ⓐ -EB	Top-Set Adjustable Extension Assembly	303.00
-G	Galvanized Cast Iron	223.00
-HD	High Dome	69.00
-R	Roof Sump Receiver	128.00
ⓐ -TC	Neo-Loc Test Cap Gasket (2", 3", 4" [51mm-102mm] NL Bottom Outlet Only)	86.00

*Regularly furnished unless otherwise specified.

ⓐ This symbol denotes a product that is engineered to reduce installation and rework time.

For additional product information, please visit www.zurn.com.

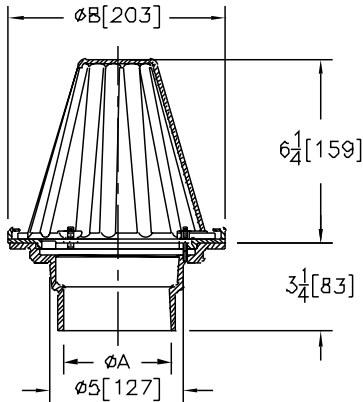
Z129 8" [203 MM] MAIN ROOF DRAIN



ENGINEERING SPECIFICATION

ZURN Z129 8" [203mm] diameter roof drain, Dura-Coated cast iron body with combination membrane flashing clamp/gravel guard and Poly-Dome.

A Pipe Size inches [mm]	Dome Open Area sq in [cm ²]	Approximate Weight lb [kg]
2 [51], 3 [76], 4 [102]	15 [97]	11 [5]



PREFIXES	DESCRIPTION	PIPE SIZE	LIST PRICE
Z129*	D.C.C.I. Body with polydome	2", 3", 4"	163.00
ZA129	D.C.C.I. Body with Aluminum Dome	2", 3", 4"	245.00
OUTLETS (SPECIFY PIPE SIZE IN INCHES AND TYPE OF OUTLET)			
OUTLET TYPE	OUTLET DESIGNATION (PIPE SIZE/OUTLET TYPE)		ADD
NH	No-Hub	2NH, 3NH, 4NH	N/C
SUFFIXES			ADD
-A	Waterproof Flange		44.00
-C	Underdeck Clamp		50.00
Ⓢ -EB	Elevating Body Plate		73.00
-G	Galvanized Cast Iron		223.00
-R	Roof Sump Receiver		72.00
-SS	Stainless Mesh Screen Over Dome		234.00
-VP	Vandal-Proof Secured Top		90.00
-84	Stainless Steel Perforated Gravel Guard		146.00
-85	Stainless Steel Perforated Extension		203.00
	For Each Additional 1" [25mm] above 4" [102mm] - Per Inch (Specify Height)		33.00

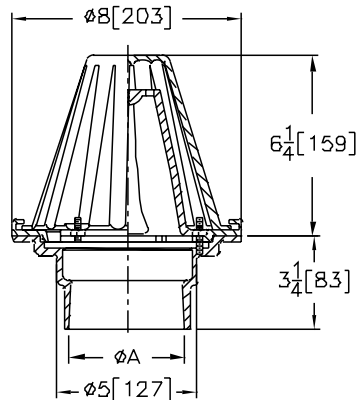
ZCF129 8" [203 MM] CONTROL ROOF DRAIN



ENGINEERING SPECIFICATION

Zurn ZCF129 8" [203mm] diameter Control-Flo roof drain for dead-level roof construction, Dura-Coated cast iron body. Control-Flo weir shall be linear functioning with combination membrane flashing clamp/gravel guard and Poly-Dome. All data shall be verified proportional to flow rates.

A Pipe Size inches [mm]	Grate Open Area sq in [cm ²]	Approximate Weight lb [kg]
2 [51], 3 [76], 4 [102]	15 [97]	11 [5]



PREFIXES	DESCRIPTION	PIPE SIZE	LIST PRICE
ZCF129*	D.C.C.I. Body with polydome	2", 3", 4"	255.00
ZCFA129	D.C.C.I. Body with Aluminum Dome	2", 3", 4"	338.00
OUTLETS (SPECIFY PIPE SIZE IN INCHES AND TYPE OF OUTLET)			
OUTLET TYPE	OUTLET DESIGNATION (PIPE SIZE/OUTLET TYPE)		ADD
NH	No-Hub	2NH, 3NH, 4NH	N/C
SUFFIXES			ADD
-A	Waterproof Flange		44.00
-C	Underdeck Clamp		50.00
Ⓢ -EB	Elevating Body Plate		73.00
-G	Galvanized Cast Iron		223.00
-R	Roof Sump Receiver		72.00
-SS	Stainless Mesh Screen Over Dome		234.00
-VP	Vandal-Proof Secured Top		90.00
-84	Stainless Steel Perforated Gravel Guard		146.00

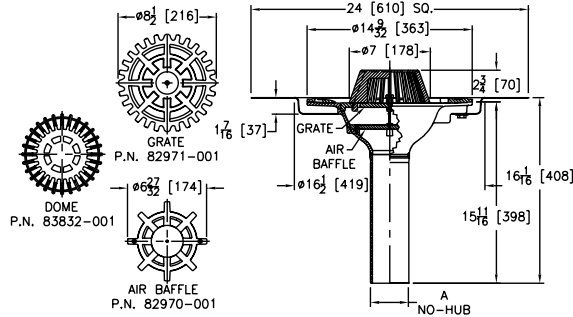
🕒 Z130 14-9/32" [203 MM] DIAMETER SIPHONIC MAIN ROOF DRAIN



ENGINEERING SPECIFICATION

Zurn Z130 14-9/32" [363mm] diameter siphonic roof drain features Dura-Coated ductile iron drain body, membrane flashing clamp, and low silhouette polydome. Complete with vandal-proof secured, Dura-Coated cast iron, air-restricting baffle and grate, and Top-Set® deck plate.

A Pipe Size inches [mm]	Grate Open Area sq in [cm ²]	Approximate Weight lb [kg]
2 [51], 3 [76], 4 [102]	28 [181]	44 [20]



PREFIXES	DESCRIPTION	PIPE SIZE	LIST PRICE
Z130*	Dura-Coated Ductile Iron Body with Polydome	2", 3", 4"	POA

OUTLETS (SPECIFY PIPE SIZE IN INCHES AND TYPE OF OUTLET)			
OUTLET TYPE	OUTLET DESIGNATION (PIPE SIZE/OUTLET TYPE)		ADD
NH	No-Hub	2NH, 3NH, 4NH	N/C

SUFFIXES			
① -DR	Top-Set® Drain Riser	D.C.C.I.	POA
		Galv.	POA
① -EB	Elevating Body Plate		POA
-LD	Less Dome		POA
-LG	Less Dome and Grate		POA
-VP	Vandal-Proof Secured Top		POA

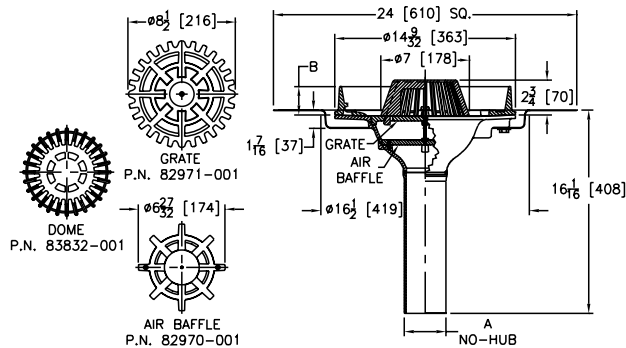
🕒 Z131 14-9/32" [363 MM] DIAMETER SIPHONIC OVERFLOW ROOF DRAIN



ENGINEERING SPECIFICATION

Zurn Z131 14-9/32" [363mm] diameter siphonic overflow roof drain features Dura-Coated ductile iron drain body, 'B' high external combination membrane flashing clamp/ overflow gravel guard, and low silhouette polydome. Complete with vandal-proof secured, Dura-Coated cast iron, air-restricting baffle and grate, and Top-Set® deck plate.

A Pipe Size inches [mm]	Grate Open Area sq in [cm ²]	Approximate Weight lb [kg]
2 [51], 3 [76], 4 [102]	28 [181]	48 [22]



PREFIXES	DESCRIPTION	PIPE SIZE	LIST PRICE
Z131*	Dura-Coated Ductile Iron Body with Polydome	2", 3", 4"	POA

OUTLETS (SPECIFY PIPE SIZE IN INCHES AND TYPE OF OUTLET)			
OUTLET TYPE	OUTLET DESIGNATION (PIPE SIZE/OUTLET TYPE)	"B" DIMENSION	ADD
NH	No-Hub	2NH	2-1/4" [57]
		3NH, 4NH	3-5/16" [84]

SUFFIXES			
① -DR	Top-Set® Drain Riser	D.C.C.I.	POA
		Galv.	POA
① -EB	Top-Set Adjustable Extension Assembly		POA
-VP	Vandal-Proof Secured Top		POA

*Regularly furnished unless otherwise specified.

🕒 This symbol denotes a product that is engineered to reduce installation and rework time.

For additional product information, please visit www.zurn.com.

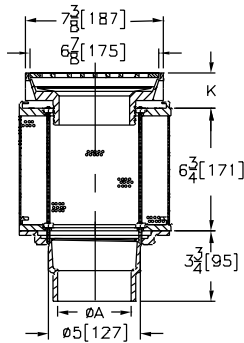
Z135-6 8" [203 MM] MAIN ROOF DRAIN FOR CONVENTIONAL INVERTED PROMENADE DECK ROOF



ENGINEERING SPECIFICATION

Zurn Z135-6 8" [203mm] diameter drain for conventional inverted promenade deck roof. Dura-Coated cast iron body, adjustable head, round grate, cast iron strainer collar and flashing clamp collar. Stainless steel drainage extension and hardware

A Pipe Size inches [mm]	Grate Open Area sq in [cm ²]	Approximate Weight lb [kg]
2 [51], 3 [76], 4 [102]	12 [77]	15 [7]



PREFIXES	DESCRIPTION	PIPE SIZE	LIST PRICE
Z135-6*	D.C.C.I. Body with Cast-Iron Strainer	2", 3", 4"	585.00
ZN135-6	D.C.C.I. Body with Polished Nickel Bronze Grate	2", 3", 4"	826.00
OUTLETS (SPECIFY PIPE SIZE IN INCHES AND TYPE OF OUTLET)			
OUTLET TYPE	OUTLET DESIGNATION (PIPE SIZE/OUTLET TYPE)		ADD
NH	No-Hub	2NH, 3NH, 4NH	N/C
SUFFIXES			ADD
-A	Waterproof Flange		44.00
-C	Underdeck Clamp		50.00
-G	Galvanized Cast Iron		223.00
-R	Roof Sump Receiver		72.00
-Y	Sediment Bucket		38.00

Z150 14" [356 MM] SQUARE TOP PROM-DECK DRAIN WITH HEEL-PROOF GRATE AND ROTATABLE FRAME



PATENTED

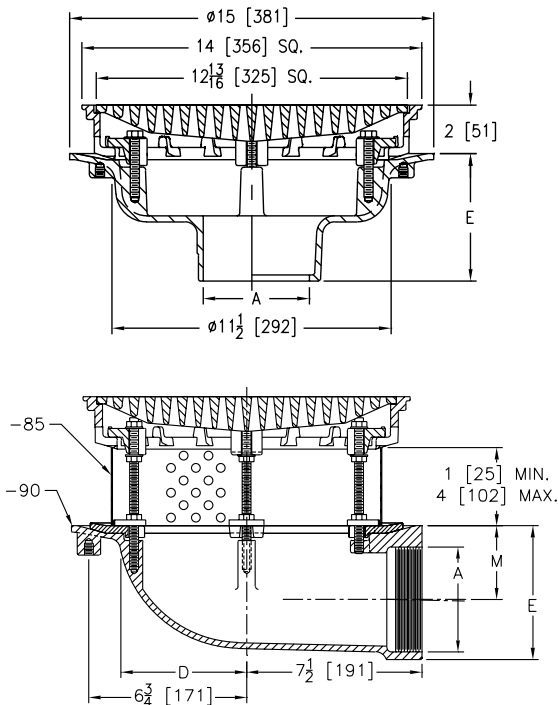
ENGINEERING SPECIFICATION

Zurn Z150 14" [356mm] square top prom-deck drain features Dura-Coated cast iron body with rotatable, square promenade frame with seepage openings, frame clamps and heavy-duty, heel-proof grate.

NOTES

†Add 3/16" [5mm] to 2" [51mm] dimension and 3/8" [10mm] to 14" [356mm] dimension

A Pipe Size inches [mm]	Grate Open Area sq in [cm ²]	Approximate Weight lb [kg]
2 [51], 3 [76], 4 [102]	44 [284]	53 [24]
6 [152]		54 [24]
8 [203]		



Shown with -85-90 Options

ZURN Z150-85-90 14" Square Top Lateral Prom-Deck Drain. Dura-Coated cast iron body with side outlet, rotatable square promenade frame with seepage openings, frame clamps, perforated stainless steel extension with secondary clamp collar, and heavy-duty heel-proof grate.

PREFIXES	DESCRIPTION	PIPE SIZE	LIST PRICE
Z150*	D.C.C.I. Body with Top	2", 3", 4"	1,026.00
		6"	1,227.00
		8"	1,227.00
ZB150†	D.C.C.I. Body with Polished Bronze Top	2", 3", 4"	1,694.00
		6"	1,805.00
		8"	1,805.00
ZN150†	D.C.C.I. Body with Polished Nickel Bronze Top	2", 3", 4"	1,862.00
		6"	1,974.00
		8"	1,974.00

OUTLETS (SPECIFY PIPE SIZE IN INCHES AND TYPE OF OUTLET)				
OUTLET TYPE		OUTLET DESIGNATION (PIPE SIZE/OUTLET TYPE)	E BODY HT. DIM.	ADD
IC	Inside Caulk	3IC, 4IC, 6IC	5-1/4" [133mm]	72.00
IP	Threaded	2IP, 3IP, 4IP, 6IP, 8IP	3-3/4" [95mm]	72.00
NH	No-Hub	2NH, 3NH, 4NH, 6NH, 8NH	5-1/4" [133mm]	N/C
NL	Neo-Loc (not recommended for roof drains)	2NL, 3NL, 4NL	4-9/16" [116mm]	34.00

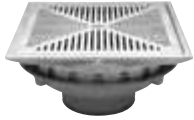
SUFFIXES			ADD
-AR	Acid Resistant Epoxy Coated Finish		349.00
-C	Underdeck Clamp		128.00
Ⓢ -DE	Deck Extension	D.C.C.I. Galv.	504.00 712.00
-DG	Duresist Grate		432.00
Ⓢ -DP	Top-Set® Roof Deck Plate (Replaces -C and -R)		167.00
Ⓢ -DR	Top-Set Drain Riser (Adjustment from 3-5/8" [92mm] thru 7-1/4" [184mm])	D.C.C.I. Galv.	786.00 987.00
-DT	Decorative Polished Top (ZB and ZN Only)		315.00
-E	Static Extension 1" [25mm] thru 4" [102mm] (Specify Height)	D.C.C.I. Galv.	218.00 325.00
-EA	Adjustable Extension Assembly 2-1/8" [54mm] thru 3-1/2" [89mm]	D.C.C.I. Galv.	390.00 519.00
	For E and EA Extensions Greater than 4" [102mm] - Per Inch (Specify Height)	D.C.C.I. Galv.	111.00 155.00
Ⓢ -EB	Top-Set Adjustable Extension Assembly		303.00
-G	Galvanized Cast Iron		223.00
-R	Roof Sump Receiver		128.00
-S	Secondary Strainer		86.00
-SC	Secondary Clamp Collar		111.00
Ⓢ -TC	Neo-Loc Test Cap Gasket (2", 3", 4" [51mm-102mm] NL Bottom Outlet Only)		86.00
-TS	Top Secured with Slotted Screws		90.00
-VP	Vandal-Proof Secured Top		90.00
-XJ	Vertical Expansion Joint (See Z190)		-
-Y	Sediment Bucket		163.00
-85	Stainless Steel Perforated Extension 1" [25mm] thru 4" [152mm]		458.00
	For Each Additional 1" [25mm] above 4" [102mm] - Per Inch (Specify Height)		56.00
-90	90° Threaded Side Outlet Body (2" [51mm] thru 6" [152mm])		174.00

*Regularly furnished unless otherwise specified.

Ⓢ This symbol denotes a product that is engineered to reduce installation and rework time.

For additional product information, please visit www.zurn.com.

Z154 12" [305 MM] SQUARE TOP PROM-DECK DRAIN WITH HEEL-PROOF GRATE AND ROTATABLE FRAME



PATENTED

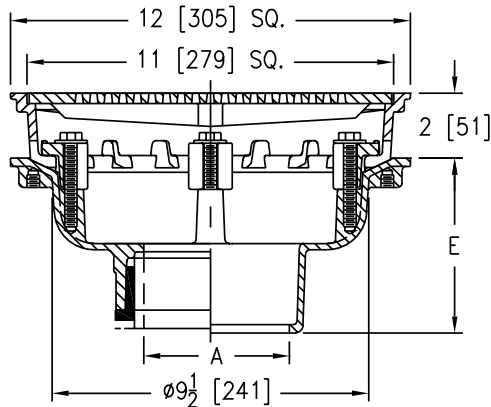
ENGINEERING SPECIFICATION

Zurn Z154 12" [305mm] square top prom-deck drain features Dura-Coated cast iron body with rotatable, light-duty, square promenade frame with seepage openings, frame clamps and light-duty, heel-proof grate.

NOTES

†Add 3/16" [5mm] to 2" [51mm] dimension and 5/8" [16mm] to 12" [305mm] dimension

A Pipe Size inches [mm]	Grate Open Area sq in [cm ²]	Approximate Weight lb [kg]
2 [51], 3 [76], 4 [102], 6 [152]	34 [219]	29 [13]



PREFIXES	DESCRIPTION	PIPE SIZE	LIST PRICE
Z154*	D.C.C.I. Body with Top	2", 3", 4", 6"	725.00
ZB154†	D.C.C.I. Body with Polished Bronze Top	2", 3", 4", 6"	1,133.00
ZN154†	D.C.C.I. Body with Polished Nickel Bronze Top	2", 3", 4", 6"	1,298.00

OUTLETS (SPECIFY PIPE SIZE IN INCHES AND TYPE OF OUTLET)			
OUTLET TYPE		OUTLET DESIGNATION (PIPE SIZE/OUTLET TYPE)	E BODY HT. DIM. ADD
IC	Inside Caulk	2IC, 3IC, 4IC, 6IC	5-1/4" [133mm] 72.00
IP	Threaded	2IP, 3IP, 4IP, 6IP	3-3/4" [95mm] 72.00
NH	No-Hub	2NH, 3NH, 4NH, 6NH	5-1/4" [133mm] N/C
NL	Neo-Loc (not recommended for roof drains)	2NL, 3NL, 4NL	4-9/16" [116mm] 34.00

SUFFIXES		ADD
-AR	Acid Resistant Epoxy Coated Finish	349.00
-C	Underdeck Clamp	128.00
-DG	Duresist Grate (Z Only)	385.00
⊕ -DP	Top-Set® Roof Deck Plate	167.00
-DT	Decorative Polished Top (ZB and ZN Only)	315.00
-E	2" [51mm] High Static Extension	D.C.C.I. 218.00 Galv. 325.00
	For Each Additional 1" [25mm] above 2" [51mm] - Per Inch (Specify Height)	D.C.C.I. 111.00 Galv. 155.00
⊕ -EB	Top-Set Adjustable Extension Assembly	303.00
-G	Galvanized Cast Iron	223.00
-S	Secondary Strainer	86.00
-SC	Secondary Clamp Collar	111.00
⊕ -TC	Neo-Loc Test Cap Gasket (2", 3", 4" [51mm-102mm] NL Bottom Outlet Only)	86.00
-TS	Top Secured with Slotted Screws	90.00
-VP	Vandal-Proof Secured Top	90.00
-Y	Sediment Bucket	163.00
-85	Stainless Steel Perforated Extension 1" [25mm] thru 4" [152mm]	419.00
	For Each Additional 1" [25mm] above 4" [102mm] - Per Inch (Specify Height)	56.00
-90	90° Threaded Side Outlet Body (2" [51mm] thru 4" [102mm])	164.00

Z158 10" [254 MM] SQUARE TOP PROM-DECK DRAIN WITH HEEL-PROOF GRATE AND ROTABLE FRAME



PATENTED

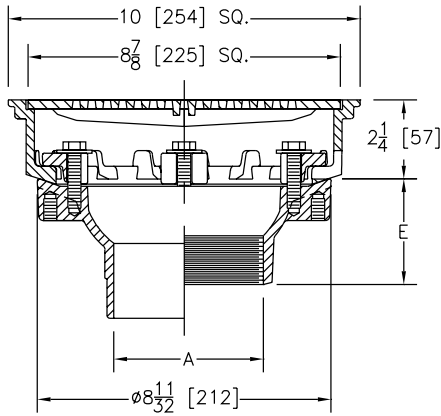
ENGINEERING SPECIFICATION

Zurn Z158 10" [254mm] square top prom-deck drain features Dura-Coated cast iron body with rotatable, square promenade frame with seepage openings, frame clamps and light-duty, heel-proof grate.

NOTES

+Add 3/16" [5mm] to 2-1/4" [57mm] dimension and 5/8" [16mm] to 10" [254mm] dimension

A Pipe Size inches [mm]	Grate Open Area sq in [cm ²]	Approximate Weight lb [kg]
2 [51], 3 [76], 4 [102]	21 [136]	20 [9]



PREFIXES	DESCRIPTION	PIPE SIZE	LIST PRICE
Z158*	D.C.C.I. Body with Top	2", 3", 4"	558.00
ZB158†	D.C.C.I. Body with Decorative Polished Bronze Top	2", 3", 4"	840.00
ZN158†	D.C.C.I. Body with Decorative Polished Nickel Bronze Top	2", 3", 4"	1,007.00

OUTLETS (SPECIFY PIPE SIZE IN INCHES AND TYPE OF OUTLET)				
OUTLET TYPE		OUTLET DESIGNATION (PIPE SIZE/OUTLET TYPE)	E BODY HT. DIM.	ADD
IC	Inside Caulk	3IC, 4IC	3-7/8" [98mm]	72.00
IP	Threaded	2IP	2-7/16" [62mm]	72.00
		3IP	2-3/4" [70mm]	72.00
		4IP	3" [76mm]	72.00
NH	No-Hub	2NH, 3NH, 4NH	4" [102mm]	N/C
NL	Neo-Loc (not recommended for roof drains)	2NL, 3NL, 4NL	3-13/16" [97mm]	34.00

SUFFIXES		ADD	
-AR	Acid Resistant Epoxy Coated Finish	339.00	
-C	Underdeck Clamp	128.00	
-DG	Duresist Grate	385.00	
Ⓢ -DP	Top-Set® Roof Deck Plate	167.00	
-DT	Decorative Polished Top (ZB and ZN Only)	315.00	
-E	2" [51mm] High Static Extension	D.C.C.I.	218.00
		Galv.	325.00
	For Each Additional 1" [25mm] above 2" [51mm] - Per Inch (Specify Height)	D.C.C.I.	111.00
		Galv.	155.00
Ⓢ -EB	Top-Set Adjustable Extension Assembly	303.00	
-G	Galvanized Cast Iron	223.00	
-SC	Secondary Clamp Collar	111.00	
Ⓢ -TC	Neo-Loc Test Cap Gasket (2", 3", 4" [51mm-102mm] NL Bottom Outlet Only)	86.00	
-TS	Top Secured with Slotted Screws	90.00	
-VP	Vandal-Proof Secured Top	90.00	
-Y	Sediment Bucket	163.00	
-85	Stainless Steel Perforated Extension 1" [25mm] thru 4" [152mm]	D.C.C.I.	314.00
		Galv.	56.00
	For Each Additional 1" [25mm] above 4" [102mm] - Per Inch (Specify Height)		
-90	90° Threaded Side Outlet Body (2", 3", 4" [51mm - 152mm])	152.00	

*Regularly furnished unless otherwise specified.

Ⓢ This symbol denotes a product that is engineered to reduce installation and rework time.

For additional product information, please visit www.zurn.com.

INTRO ROOF DRAINS FLOOR DRAINS T, P, BW VALVES INTERCEPTORS CARRIERS HYDRANTS CLEANOUTS W/HA SS DRAINS FAB SS DRAINS SAN-FLOOR TECH INFO

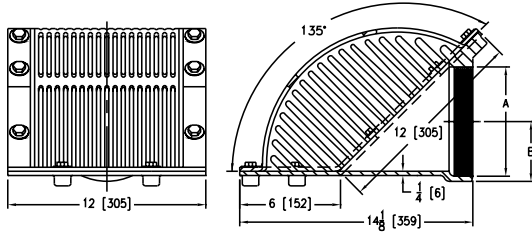
Z160 135° SCUPPER DRAIN



ENGINEERING SPECIFICATION

Zurn ZRB160 135° scupper drain features Dura-Coated cast iron body and plain bronze grate with integral membrane clamp.

Dimensions in inches [mm]			Grate Open Area sq in [cm ²]	Approximate Weight lb [kg]
A	B			
4 [102]	2-9/16 [65]	12 [305]	114 [735]	52 [24]
6 [152]	3-5/8 [92]			



PREFIXES	DESCRIPTION	PIPE SIZE	LIST PRICE
ZRB160*	D.C.C.I. Body with Plain Bronze Grate	4"	2,532.00
		6"	2,814.00
ZB160	D.C.C.I. Body with Polished Bronze Grate	4"	2,754.00
		6"	3,061.00
ZN160	D.C.C.I. Body with Polished Nickel Bronze Grate	6"	3,206.00
			3,515.00

OUTLETS (SPECIFY PIPE SIZE IN INCHES AND TYPE OF OUTLET)			
OUTLET TYPE	OUTLET DESIGNATION (PIPE SIZE/OUTLET TYPE)	ADD	
IP	Threaded	4IP, 6IP	N/C
SUFFIXES			
			ADD
-G	Galvanized Cast Iron		296.00

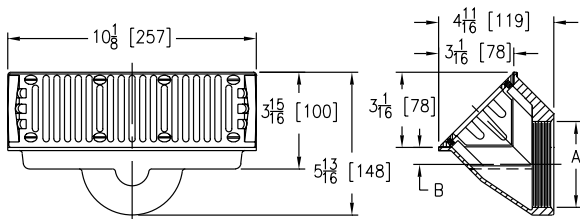
Z161 3" X 10" [76 MM X 254 MM] OBLIQUE SCUPPER DRAIN



ENGINEERING SPECIFICATION

Zurn ZARB161 3" x 10" [76mm x 254mm] oblique scupper drain features plain bronze body with gasket and plain bronze grate with integral membrane clamp.

Dimensions in inches [mm]		Grate Open Area sq in [cm ²]	Approximate Weight lb [kg]
A	B		
2 [51]	1-1/4 [32]	19 [123]	23 [10]
3 [76]	1-1/16 [27]		21 [10]



PREFIXES	DESCRIPTION	PIPE SIZE	LIST PRICE
ZARB161*	All Bronze Body with Plain Bronze Grate	2", 3"	816.00
ZAB161	All Bronze Body with Polished Bronze Grate	2", 3"	1,043.00
ZANB161	All Bronze Body with Polished Nickel Bronze Grate	2", 3"	1,290.00

OUTLETS (SPECIFY PIPE SIZE IN INCHES AND TYPE OF OUTLET)			
OUTLET TYPE	OUTLET DESIGNATION (PIPE SIZE/OUTLET TYPE)	ADD	
IP	Threaded	2IP, 3IP	N/C

Z163 15" [381 MM] DIAMETER COMBINATION MAIN ROOF AND OVERFLOW DRAIN WITH LOW SILHOUETTE DOMES AND DOUBLE TOP-SET® DECK PLATE

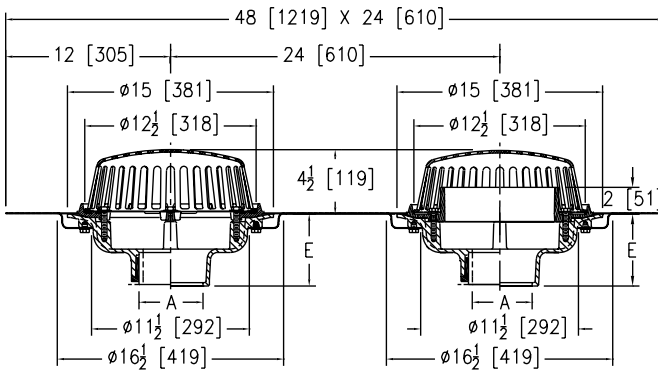


PATENTED

ENGINEERING SPECIFICATION

Zurn Z163 15" [381mm] diameter roof drain and overflow drain feature Dura-Coated cast iron bodies with combination membrane flashing clamp/gravel guards, double Top-Set® deck plate and low silhouette polydomes.

A Pipe Size inches [mm]	Dome Open Area sq in [cm ²]	Approximate Weight lb [kg]
2 [51], 3 [76], 4 [102]	103 [665]	73 [33]
6 [152]		74 [34]
8 [203]		75 [34]



PREFIXES	DESCRIPTION	PIPE SIZE	LIST PRICE
Z163*	D.C.C.I. Body with Polydome	2", 3", 4"	815.00
		6"	1,043.00
		8"	1,043.00
ZA163	D.C.C.I. Body with Aluminum Dome	2", 3", 4"	930.00
		6"	1,159.00
		8"	1,159.00
ZC163	D.C.C.I. Body with Cast Iron Dome	2", 3", 4"	930.00
		6"	1,159.00
		8"	1,159.00

OUTLETS (SPECIFY PIPE SIZE IN INCHES AND TYPE OF OUTLET)				
OUTLET TYPE		OUTLET DESIGNATION (PIPE SIZE/OUTLET TYPE)	E BODY HT. DIM.	ADD
IC	Inside Caulk	3IC, 4IC, 6IC	5-1/4" [133mm]	N/C
IP	Threaded	2IP, 3IP, 4IP, 6IP, 8IP	3-3/4" [95mm]	118.00
NH	No-Hub	2NH, 3NH, 4NH, 6NH, 8NH	5-1/4" [133mm]	N/C
NL	Neo-Loc (not recommended for roof drains)	2NL, 3NL, 4NL	4-5/8" [117mm]	N/C

SUFFIXES			ADD
-AR	Acid Resistant Epoxy Coated Finish		336.00
ⓐ -DE	Deck Extension	D.C.C.I.	880.00
		Galv.	1,306.00
ⓐ -DR	Top-Set® Drain Riser		786.00
-E	Static Extension 1" [25mm] thru 4" [102mm] (Specify Height)	D.C.C.I.	266.00
		Galv.	505.00
-EA	Adjustable Extension Assembly 2-1/8" [54mm] thru 3-1/2" [89mm]	D.C.C.I.	132.00
		Galv.	196.00
		For E and EA Extensions Greater than 4" [102mm] - Per Inch (Specify Height)	D.C.C.I.
-G	Galvanized Cast Iron (ZC Only)	Z	319.00
		ZC	431.00
-HD	6-3/4" [171mm] High Aluminum Dome Strainer, Open Area 148 Sq. In. [955cm ²] (ZA Only)		137.00
-SC	Secondary Clamping Collar		109.00
-SS	Stainless Mesh Screen Over Dome		492.00
ⓐ -TC	Neo-Loc Test Cap Gasket (2", 3", 4" [51mm-102mm] NL Bottom Outlet Only)		86.00
-VP	Vandal-Proof Secured Top		91.00
-W3	3" [76mm] Internal Water Dam		135.00
-W4	4" [102mm] Internal Water Dam		147.00
-XJ	Vertical Expansion Joint (See Z190)		-
-84	Stainless Steel Perforated Gravel Guard 1" [25mm] thru 4" [102mm]		228.00
		For Each Additional 1" [25mm] above 4" [102mm] - Per Inch (Specify Height)	57.00
-85	Stainless Steel Perforated Extension		228.00
		For Each Additional 1" [25mm] above 4" [102mm] - Per Inch (Specify Height)	57.00
-89	2" [51mm] High External Water Dam (Replaces Internal Dam)		N/C

*Regularly furnished unless otherwise specified.

ⓐ This symbol denotes a product that is engineered to reduce installation and rework time.

For additional product information, please visit www.zurn.com.

INTRO ROOF DRAINS FLOOR DRAINS T, P, BW VALVES INTERCEPTORS CARRIERS HYDRANTS CLEANOUTS W/HA SS DRAINS FAB SS DRAINS SAN-FLOOR TECH INFO

Z164 12" [305 MM] DIAMETER COMBINATION MAIN ROOF AND OVERFLOW DRAIN WITH LOW SILHOUETTE DOMES AND DOUBLE TOP-SET® DECK PLATE

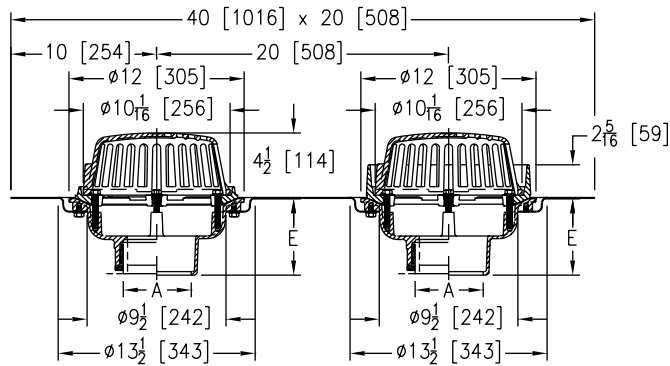


PATENTED

ENGINEERING SPECIFICATION

Zurn Z164 12" [305mm] diameter roof drain and overflow drain feature Dura-Coated cast iron bodies with combination membrane flashing clamp/gravel guards, double Top-Set® deck plate and low silhouette cast iron domes.

A Pipe Size inches [mm]	Dome Open Area sq in [cm ²]	Approximate Weight lb [kg]
2 [51], 3 [76], 4 [102], 6 [152]	78 [503]	66 [30]



PREFIXES	DESCRIPTION	PIPE SIZE	LIST PRICE
Z164*	D.C.C.I. Body with 4-1/4" [108mm] Dome	2", 3", 4" 6"	979.00 1,542.00
ZA164	D.C.C.I. Body with 6-9/16" [167mm] Aluminum Dome	2", 3", 4" 6"	1,374.00 1,712.00

OUTLETS (SPECIFY PIPE SIZE IN INCHES AND TYPE OF OUTLET)				
OUTLET TYPE		OUTLET DESIGNATION (PIPE SIZE/OUTLET TYPE)	E BODY HT. DIM.	ADD
IC	Inside Caulk	2IC, 3IC, 4IC, 6IC	5-1/4" [133mm]	N/C
IP	Threaded	2IP, 3IP, 4IP, 6IP	3-3/4" [95mm]	118.00
NH	No-Hub	2NH, 3NH, 4NH, 6NH	5-1/4" [133mm]	N/C
NL	Neo-Loc (not recommended for roof drains)	2NL, 3NL, 4NL	4-5/8" [117mm]	N/C

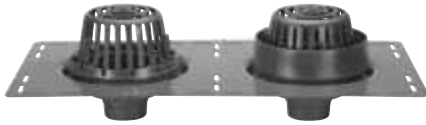
SUFFIXES			ADD
-AR	Acid Resistant Epoxy Coated Finish		336.00
-E	Static Extension 1" [25mm] thru 4" [102mm]	D.C.C.I.	266.00
		Galv.	505.00
	For Each Additional 1" [25mm] above 4" [102mm] - Per Inch (Specify Height)	D.C.C.I.	133.00
		Galv.	252.00
-G	Galvanized Cast Iron		431.00
-SC	Secondary Clamping Collar		109.00
-SS	Stainless Steel Mesh Screen Over Dome		492.00
-TC	Neo-Loc Test Cap Gasket (2", 3", 4" [51mm-102mm] NL Bottom Outlet Only)		86.00
-VP	Vandal-Proof Secured Top		91.00
-XJ	Vertical Expansion Joint (See Z190)		-
-84	Stainless Steel Perforated Gravel Guard		57.00
-85	Stainless Steel Perforated Extension		93.00

For additional product information, please visit www.zurn.com.

*Regularly furnished unless otherwise specified.

Ⓢ This symbol denotes a product that is engineered to reduce installation and rework time.

Z165 8-3/8" [213 MM] DIAMETER COMBINATION MAIN ROOF AND OVERFLOW DRAIN WITH LOW SILHOUETTE DOMES AND DOUBLE TOP-SET® DECK PLATE

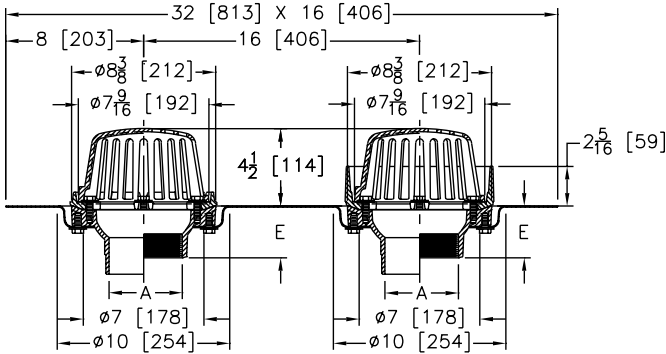


PATENTED

ENGINEERING SPECIFICATION

Zurn Z165 8-3/8" [213mm] diameter roof drain and overflow drain feature Dura-Coated cast iron bodies with combination membrane flashing clamp/ gravel guards, double Top-Set® deck plate, and low silhouette cast iron domes.

A Pipe Size inches [mm]	Dome Open Area sq in [cm ²]	Approximate Weight lb [kg]
2 [51], 3 [76], 4 [102]	43 [277]	36 [16]



PREFIXES	DESCRIPTION	PIPE SIZE	LIST PRICE
Z165*	D.C.C.I. Body with 4-1/4" [108mm] Dome	2", 3", 4"	930.00
ZA165	D.C.C.I. Body with 4-1/4" [108mm] Aluminum Dome	2", 3", 4"	1,305.00

OUTLETS (SPECIFY PIPE SIZE IN INCHES AND TYPE OF OUTLET)			
OUTLET TYPE	OUTLET DESIGNATION (PIPE SIZE/OUTLET TYPE)	E BODY HT. DIM.	ADD
IC	Inside Caulk	2IC, 3IC, 4IC	3-7/8" [98mm] 121.00
IP	Threaded	2IP	2-7/16" [62mm] 121.00
		3IP	2-3/4" [70mm] 121.00
		4IP	3" [76mm] 121.00
NH	No-Hub	2NH, 3NH, 4NH	4" [102mm] N/C
NL	Neo-Loc (not recommended for roof drains)	2NL, 3NL, 4NL	3-13/16" [97mm] N/C

SUFFIXES	ADD
-AR	Acid Resistant Epoxy Coated Finish 336.00
-E	Static Extension 1" [25mm] thru 4" [102mm] D.C.C.I. 266.00
	Galv. 505.00
	For Each Additional 1" [25mm] above 4" [102mm] - Per Inch (Specify Height) D.C.C.I. 133.00
	Galv. 252.00
-G	Galvanized Cast Iron 431.00
-SC	Secondary Clamping Collar 109.00
-SS	Stainless Steel Mesh Screen Over Dome 492.00
-TC	Neo-Loc Test Cap Gasket (2", 3", 4" [51mm-102mm] NL Bottom Outlet Only) 86.00
-VP	Vandal-Proof Secured Top 91.00
-XJ	Vertical Expansion Joint (See Z190) -
-84	Stainless Steel Perforated Gravel Guard 57.00
-85	Stainless Steel Perforated Extension 93.00

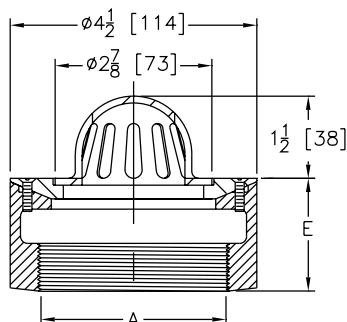
Z180 4-1/2" [114 MM] DIAMETER CORNICE DRAIN WITH BOTTOM OUTLET



ENGINEERING SPECIFICATION

Zurn ZRB180 4-1/2" [114mm] diameter by 2" [51mm] high cornice drain features Dura-Coated cast iron body, plain bronze dome, and membrane flashing clamp.

A Pipe Size inches [mm]	Dome Open Area sq in [cm ²]	Approximate Weight lb [kg]
2 [51], 3 [76]	4.5 [29]	5 [2]



PREFIXES	DESCRIPTION	PIPE SIZE	LIST PRICE
ZRB180*	D.C.C.I. Body with Plain Bronze Dome	2", 3"	305.00
ZN180	D.C.C.I. Body with Polished Nickel Bronze Dome	2", 3"	457.00

OUTLETS (SPECIFY PIPE SIZE IN INCHES AND TYPE OF OUTLET)			
OUTLET TYPE	OUTLET DESIGNATION (PIPE SIZE/OUTLET TYPE)	E BODY HT. DIM.	ADD
IP	Threaded	2IP, 3IP	2" [51mm] N/C
NH	No-Hub (IP w/Z1040)	2NH, 3NH	4-1/2" [114mm] N/C

SUFFIXES	ADD
-FS	Flat Strainer (ZN) N/C
-G	Galvanized Cast Iron 143.00
-VP	Vandal-Proof Secured Top 86.00

*Regularly furnished unless otherwise specified.

This symbol denotes a product that is engineered to reduce installation and rework time.

For additional product information, please visit www.zurn.com.

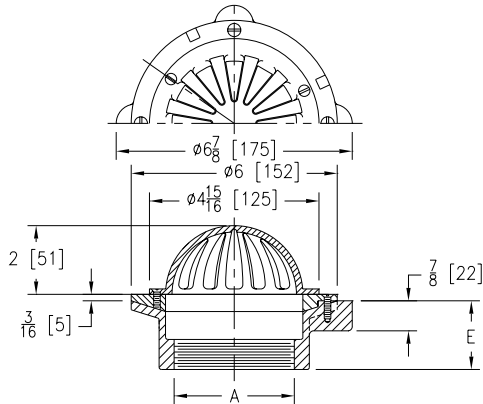
Z181 6" [152 MM] DIAMETER CORNICE DRAIN WITH BOTTOM OUTLET



ENGINEERING SPECIFICATION

Zurn ZRB181 6" [152mm] diameter by 4" [102mm] high cornice drain features Dura-Coated cast iron body, plain bronze dome, and membrane flashing clamp.

A Pipe Size inches [mm]	Dome Open Area sq in [cm ²]	Approximate Weight lb [kg]
3 [76]	11 [71]	6 [3]
4 [102]		7 [3]



PREFIXES	DESCRIPTION	PIPE SIZE	LIST PRICE
ZRB181*	D.C.C.I. Body with Plain Bronze Dome	3"	266.00
		4"	567.00
ZN181	D.C.C.I. Body with Polished Nickel Bronze Dome	3"	418.00
		4"	680.00

OUTLETS (SPECIFY PIPE SIZE IN INCHES AND TYPE OF OUTLET)			
OUTLET TYPE	OUTLET DESIGNATION (PIPE SIZE/OUTLET TYPE)	E BODY HT. DIM.	ADD
IP	Threaded	3IP, 4IP	2" [51mm] N/C
NH	No-Hub (IP w/Z1040)	3NH, 4NH	4-1/2" [114mm] N/C
SUFFIXES			ADD
-BS	Bronze Mesh Screen Over Dome		317.00
-C	Underdeck Clamp		80.00
-FS	Flat Strainer (ZN)		N/C
-G	Galvanized Cast Iron		143.00
-HD	5-3/4" [146mm] High Dome	ZRB	51.00
		ZN	71.00
-R	Roof Sump Receiver		110.00
-SS	Stainless Steel Mesh Screen Over Dome		POA
-VP	Vandal-Proof Secured Top		86.00

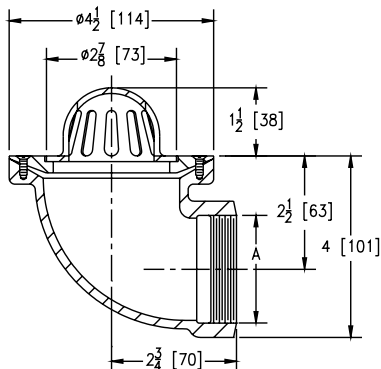
Z182 4-1/2" [114 MM] DIAMETER CORNICE DRAIN WITH 90° OUTLET



ENGINEERING SPECIFICATION

Zurn ZRB182 4-1/2" [114mm] diameter cornice drain features Dura-Coated cast iron 90° side outlet body, plain bronze dome, and membrane flashing clamp.

A Pipe Size inches [mm]	Dome Open Area sq in [cm ²]	Approximate Weight lb [kg]
2 [51]	4.5 [29]	5 [2]



PREFIXES	DESCRIPTION	PIPE SIZE	LIST PRICE
ZRB182*	D.C.C.I. Body with Plain Bronze Dome	2"	492.00
ZN182	D.C.C.I. Body with Polished Nickel Bronze Dome	2"	587.00

OUTLETS (SPECIFY PIPE SIZE IN INCHES AND TYPE OF OUTLET)			
OUTLET TYPE	OUTLET DESIGNATION (PIPE SIZE/OUTLET TYPE)	E BODY HT. DIM.	ADD
IP	Threaded	2IP	4" [102mm] N/C
SUFFIXES			ADD
-FS	Flat Strainer (ZN)		N/C
-G	Galvanized Cast Iron		143.00
-VP	Vandal-Proof Secured Top		86.00

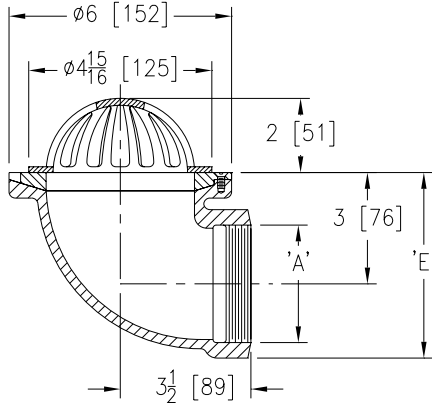
Z185 6" [152 MM] DIAMETER CORNICE DRAIN WITH 90° OUTLET



ENGINEERING SPECIFICATION

Zurn ZRB185 6" [152mm] diameter cornice drain features Dura-Coated cast iron 90° side outlet body, plain bronze dome, and membrane flashing clamp.

A Pipe Size inches [mm]	Dome Open Area sq in [cm ²]	Approximate Weight lb [kg]
3 [76]	11 [71]	8 [4]
4 [102]		10 [5]



PREFIXES	DESCRIPTION	PIPE SIZE	LIST PRICE
ZRB185*	D.C.C.I. Body with Plain Bronze Dome	3", 4"	512.00
ZN185	D.C.C.I. Body with Polished Nickel Bronze Dome	3", 4"	618.00

OUTLETS (SPECIFY PIPE SIZE IN INCHES AND TYPE OF OUTLET)				
OUTLET TYPE		OUTLET DESIGNATION (PIPE SIZE/OUTLET TYPE)	E BODY HT. DIM.	ADD
IP	Threaded	3IP	5-1/8" [130mm]	N/C
		4IP	5-5/8" [143mm]	N/C

SUFFIXES			ADD
-FS	Flat Strainer (ZN)		N/C
-G	Galvanized Cast Iron		143.00
-HD	5-3/4" [146mm] High Dome	ZRB	51.00
		ZN	71.00
-VP	Vandal-Proof Secured Top		86.00
-45	45° Side Outlet Body		N/C

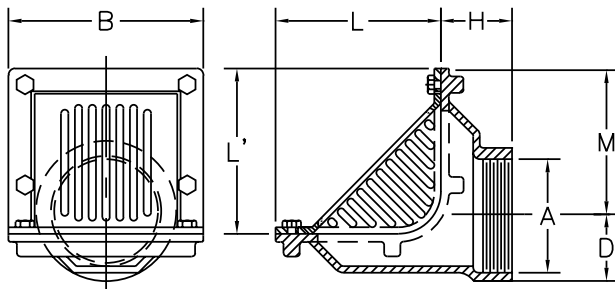
Z187 6" X 7" [152 MM X 178 MM] OR 8" X 12" [203 MM X 305 MM] OBLIQUE SCUPPER DRAIN



ENGINEERING SPECIFICATION

Zurn Z187 6" x 7" [152mm x 178mm] or 8" x 12" [203mm x 305mm] scupper drain features Dura-Coated cast iron body with reversible back or bottom outlet, oblique aluminum grate with 90° combination frame, and membrane flashing clamp.

Dimensions in inches [mm]					Grate Open Area sq in [cm ²]	Approximate Weight lb [kg]
A	B	H	L	M		
2 [51]	7-1/2 [191]	2-3/4 [70]	6-3/8 [162]	6-11/16 [170]	57 [368]	22 [10]
3 [76]				6-5/32 [156]		20 [9]
4 [102]	12-1/2 [318]	3-1/2 [89]	8-3/8 [213]	5-5/8 [143]		20 [9]
6 [152]				7-3/8 [187]		32 [15]
8 [203]				6-3/8 [162]		33 [15]



PREFIXES	DESCRIPTION	PIPE SIZE	LIST PRICE
Z187*	D.C.C.I. Body with Grate	2", 3", 4"	497.00
		6", 8"	857.00
ZN187	D.C.C.I. Body with Polished Nickel Bronze Grate	2", 3", 4"	771.00
		6", 8"	1,256.00

OUTLETS (SPECIFY PIPE SIZE IN INCHES AND TYPE OF OUTLET)				
OUTLET TYPE		OUTLET DESIGNATION (PIPE SIZE/OUTLET TYPE)	E BODY HT. DIM.	ADD
IP	Threaded	2IP, 3IP, 4IP	8-3/16" [208mm]	N/C
		6IP, 8IP	11" [280mm]	N/C

SUFFIXES			ADD
-BS	Bronze Mesh Screen Over Grate		317.00
-FG	Flush Grate	2" [51mm], 3" [76mm], 4" [102mm]	Z 23.00 ZN 29.00
		6" [152mm], 8" [203mm]	Z 33.00 ZN 69.00
			ZN 159.00
-G	Galvanized Cast Iron	2" [51mm], 3" [76mm], 4" [102mm], 6" [152mm], 8" [203mm]	257.00
-VP	Vandal-Proof Secured Top		86.00

*Regularly furnished unless otherwise specified.

⌚ This symbol denotes a product that is engineered to reduce installation and rework time.

For additional product information, please visit www.zurn.com.

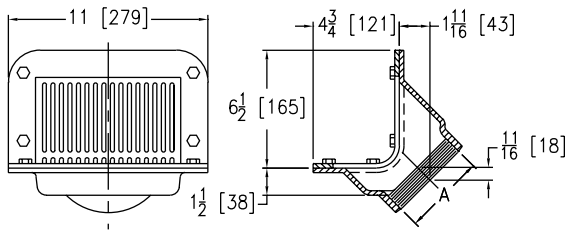
Z189 5" X 6" X 11" [127 MM X 152 MM X 279 MM] SCUPPER DRAIN



ENGINEERING SPECIFICATION

Zurn Z189 5" x 6" x 11" [127mm x 152mm x 279mm] scupper drain features Dura-Coated cast iron body with 45° outlet and flush type aluminum strainer with combination aluminum frame and membrane flashing clamp.

A Pipe Size inches [mm]	Grate Open Area sq in [cm ²]	Approximate Weight lb [kg]
2 [51]	20 [129]	18 [8]
3 [76]		
4 [102]		



PREFIXES	DESCRIPTION	PIPE SIZE	LIST PRICE
Z189*	D.C.C.I. Body with Aluminum Grate	2", 3", 4"	469.00
ZB189	D.C.C.I. Body with Polished Bronze Grate	2", 3", 4"	647.00
ZN189	D.C.C.I. Body with Polished Nickel Bronze Grate	2", 3", 4"	773.00

OUTLETS (SPECIFY PIPE SIZE IN INCHES AND TYPE OF OUTLET)			
OUTLET TYPE		OUTLET DESIGNATION (PIPE SIZE/OUTLET TYPE)	ADD
IP	Threaded	2IP, 3IP, 4IP	N/C
NH	No-Hub (IP w/Z1040)	2NH, 3NH, 4NH	N/C
SUFFIXES			
			ADD
-G	Galvanized Cast Iron		159.00
-TS	Secured Top		86.00
-VP	Vandal-Proof Secured Top		86.00
-90	Threaded Side Outlet Body		N/C

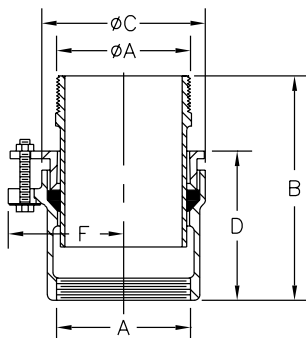
Z190 VERTICAL EXPANSION JOINT



ENGINEERING SPECIFICATION

Zurn ZRB190 vertical expansion joint features Dura-Coated cast iron body, packing gland, and silicided bronze sleeve with preformed neoprene packing gasket.

Dimensions in inches [mm]						Approximate Weight lb [kg]
A	B		C	D	F	
	Min.	Max.				
2 [51]			3-5/8 [92]	5 [127]	2-3/4 [70]	8 [4]
3 [76]	6-1/2 [165]	8-1/2 [216]	4-5/8 [117]		3-1/4 [83]	11 [5]
4 [102]			5-1/2 [140]	4-3/4 [121]	3-3/4 [95]	13 [6]
6 [152]	6-7/8 [175]	8-5/8 [219]	7-7/8 [200]	5 [127]	5 [127]	25 [11]
8 [203]	7-7/8 [200]	10-7/8 [276]	9-7/8 [251]		6 [152]	35 [16]
10 [254]			11-3/4 [298]	6 [152]	6-7/8 [175]	45 [20]



PREFIXES	DESCRIPTION	PIPE SIZE	LIST PRICE
ZRB190*	D.C.C.I. Body with Polished Bronze Sleeve	2"	617.00
		3"	659.00
		4"	748.00
		6"	1,267.00
		8"	2,189.00
		10"	4,559.00

OUTLETS (SPECIFY PIPE SIZE IN INCHES AND TYPE OF OUTLET)				
OUTLET TYPE		OUTLET DESIGNATION (PIPE SIZE/OUTLET TYPE)	'D' BODY HT. DIM.	ADD
IP	Threaded	2IP, 3IP, 4IP, 6IP, 8IP, 10IP	(See Chart)	N/C
NH	No-Hub	2NH, 3NH, 4NH, 6NH, 8NH, 10NH	(See Chart)	N/C
SUFFIXES				ADD
-G	Galvanized Cast Iron			217.00

Z191 5" X 4" X 24" [127 MM X 102 MM X 610 MM] DOWNSPOUT BOOT

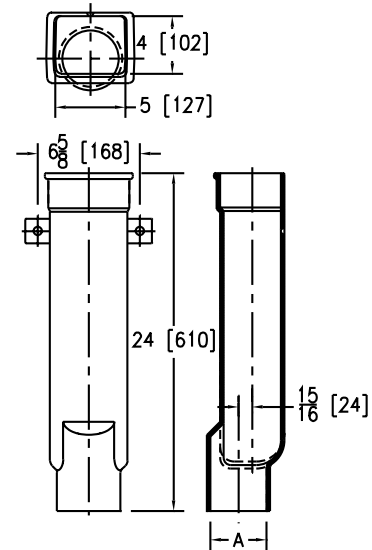


ENGINEERING SPECIFICATION

Zurn Z191 5" x 4" x 24" [127mm x 102mm x 610mm] downspout boot features Dura-Coated cast iron body and strap with 1/4" [6mm] diameter cast holes for flat-head bolts.

Product Designation	Dimensions in inches [mm]		Approximate Weight lb [kg]
	Size	A	
-24	5 [127] x 4 [102] x 24 [610]	4 [102]	30 [14]

PREFIXES	DESCRIPTION	A PIPE SIZE	LIST PRICE
Z191*	D.C.C.I. Body	4"	1,176.00
OUTLETS (SPECIFY PIPE SIZE IN INCHES AND TYPE OF OUTLET)			
OUTLET TYPE	OUTLET DESIGNATION (PIPE SIZE/OUTLET TYPE)		ADD
NH	No-Hub	4NH	N/C
SUFFIXES			ADD
-CA	Cleanout Access with Plug		539.00
-G	Galvanized Cast Iron		507.00



Z191-RD 4" X 18" [127 MM X 457 MM] DOWNSPOUT BOOT

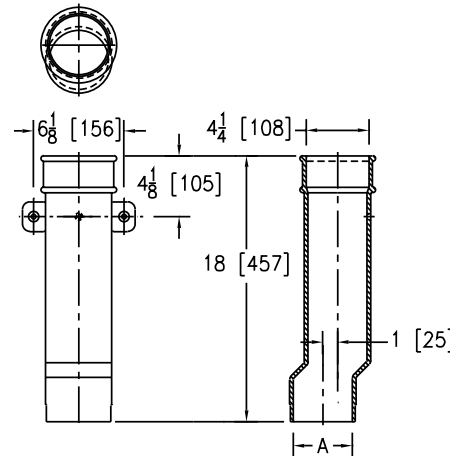


ENGINEERING SPECIFICATION

Zurn Z191-RD 4" x 18" [127mm x 457mm] downspout boot features Dura-Coated cast iron body, round inlet and outlet, and strap with 1/4" [6mm] diameter cast holes for flat-head bolts.

Product Designation	Dimensions in inches [mm]		Approximate Weight lb [kg]
	Size	A	
-18	4 [102] x 18 [457]	4 [102]	20 [9]

PREFIXES	DESCRIPTION	A PIPE SIZE	LIST PRICE
Z191-RD*	D.C.C.I. Body	4"	1,176.00
OUTLETS (SPECIFY PIPE SIZE IN INCHES AND TYPE OF OUTLET)			
OUTLET TYPE	OUTLET DESIGNATION (PIPE SIZE/OUTLET TYPE)		ADD
NH	No-Hub	4NH	N/C
SUFFIXES			ADD
-CA	Cleanout Access with Plug		539.00
-G	Galvanized Cast Iron		507.00



*Regularly furnished unless otherwise specified.

⌚ This symbol denotes a product that is engineered to reduce installation and rework time.

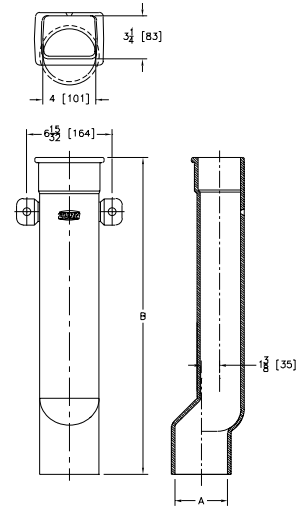
For additional product information, please visit www.zurn.com.

Z192 4" X 3" [102 MM X 76 MM] DOWNSPOUT BOOT



ENGINEERING SPECIFICATION

Zurn Z192 4" x 3" [102mm x 76mm] downspout boot features Dura-Coated cast iron body and strap with 1/4" [6mm] diameter cast holes for flat head bolts.



Product Designation	Dimensions in inches [mm]			Approximate Weight lb [kg]
	Size	A	B	
-12	4 [102] x 3 [76] x 12 [305]	4 [102]	12 [305]	14 [6]
-18	4 [102] x 3 [76] x 18 [457]		18 [457]	20 [9]
-24	4 [102] x 3 [76] x 24 [610]		24 [610]	27 [12]

PREFIXES	DESCRIPTION	PRODUCT DESIGNATION	LIST PRICE
Z192*	D.C.C.I. Body	-12	536.00
		-18	703.00
		-24	1,255.00

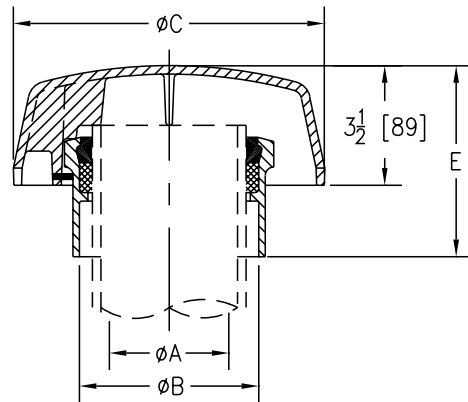
OUTLETS (SPECIFY PIPE SIZE IN INCHES AND TYPE OF OUTLET)			
OUTLET TYPE		OUTLET DESIGNATION (PIPE SIZE/OUTLET TYPE)	ADD
NH	No Hub	4NH	N/C
SUFFIXES			
			ADD
-CA	Cleanout Access with Plug		539.00
-G	Galvanized Cast Iron		507.00

Z193 VANDAL-PROOF HOODED VENT CAP



ENGINEERING SPECIFICATION

Zurn Z193 vandal-proof vent cap features Dura-Coated cast iron body and hooded dome cap, vandal-proof securing device.



Dimensions in inches [mm]			Open Area Sq.	Approximate Weight lb [kg]
A	B	C		
1-1/2 [38], 2 [51]	3-1/8 [79]	6-3/8 [162]	2 : 1	9 [4]
3 [76]	4-3/16 [106]	7-5/8 [194]		12 [5]
4 [102]	5-1/4 [133]	9-1/8 [232]		14 [6]
5 [127]	6-3/16 [157]	10-1/8 [257]		16 [7]
6 [152]	7-3/16 [183]	11-5/8 [295]		18 [8]

PREFIXES	DESCRIPTION	PIPE SIZE	LIST PRICE
Z193*	D.C.C.I. Body and Dome Cap	1-1/2", 2"	561.00
		3"	561.00
		4"	561.00
		5"	665.00
		6"	712.00

OUTLETS (SPECIFY PIPE SIZE IN INCHES AND TYPE OF OUTLET)				
OUTLET TYPE		OUTLET DESIGNATION (PIPE SIZE/OUTLET TYPE)	E BODY HT. DIM.	ADD
IC	Inside Caulk	1.5IC, 2IC	5-11/16" [144mm]	N/C
		3IC, 4IC, 5IC, 6IC	5-9/16" [141mm]	N/C
SUFFIXES				ADD
-G	Galvanized Cast Iron			159.00

For additional product information, please visit www.zurn.com.

*Regularly furnished unless otherwise specified.

Ⓢ This symbol denotes a product that is engineered to reduce installation and rework time.

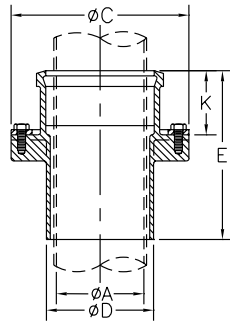
Z195 VENT STACK FLASHING SLEEVE



ENGINEERING SPECIFICATION

Zurn Z195 vent stack flashing sleeve features Dura-Coated cast iron body with fixed position combination membrane flashing flange and clamp.

Dimensions in inches [mm]				Approximate Weight lb [kg]
A	C	D	K	
2 [51]	6-1/2 [165]	3-1/8 [79]	3 [76]	11 [5]
3 [76]		4-1/4 [108]	3-1/8 [79]	13 [6]
4 [102]	8-1/2 [216]	5-1/4 [133]		18 [8]
5 [127]	9-1/2 [241]	6-1/2 [165]	2-1/2 [64]	20 [9]
6 [152]	10-1/2 [267]	7-1/2 [191]	3-1/8 [79]	26 [12]
8 [203]	14-1/2 [368]	9-3/4 [248]	2-3/4 [70]	52 [24]



PREFIXES	DESCRIPTION	PIPE SIZE	LIST PRICE
Z195*	D.C.C.I. Body	2"	281.00
		3", 4"	453.00
		5", 6"	826.00
		8"	966.00

OUTLETS (SPECIFY PIPE SIZE IN INCHES AND TYPE OF OUTLET)			
OUTLET TYPE	OUTLET DESIGNATION (PIPE SIZE/OUTLET TYPE)	E BODY HT. DIM.	ADD
IC	Inside Caulk	2IC	8" [203mm]
		3IC, 4IC, 6IC	8-1/8" [206mm]
	5IC	8-1/2" [216mm]	
	8IC	8-3/4" [222mm]	

SUFFIXES			
			ADD
-CF	Bottom Clamping Flange	D.C.	2" [51mm] thru 6" [152mm]
			8" [203mm]
		Galv.	2" [51mm] thru 6" [152mm]
			8" [203mm]
-G	Galvanized Cast Iron		293.00
			304.00

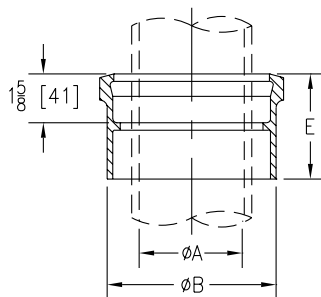
Z196 VENT STACK FLASHING SLEEVE



ENGINEERING SPECIFICATION

Zurn Z196 vent stack flashing sleeve features Dura-Coated cast iron body, inside caulk type.

Dimensions in inches [mm]		Approximate Weight lb [kg]
A	B	
1-1/2 [38]	3 [76]	2 [10]
2 [51]	3-1/2 [89]	3 [1]
3 [76]	4-3/4 [121]	4 [2]
4 [102]	5-5/8 [143]	
6 [152]	7-3/4 [197]	7 [3]



PREFIXES	DESCRIPTION	PIPE SIZE	LIST PRICE
Z196*	D.C.C.I. Body	1-1/2", 2"	72.00
		3"	125.00
		4"	140.00
		6"	357.00

OUTLETS (SPECIFY PIPE SIZE IN INCHES AND TYPE OF OUTLET)			
OUTLET TYPE	OUTLET DESIGNATION (PIPE SIZE/OUTLET TYPE)	E BODY HT. DIM.	ADD
IC	Inside Caulk	1.5C, 2IC, 3IC, 4IC, 6IC	3-1/2" [89mm]
			N/C

SUFFIXES			
			ADD
-G	Galvanized Cast Iron		175.00

*Regularly furnished unless otherwise specified.

⌚ This symbol denotes a product that is engineered to reduce installation and rework time.

For additional product information, please visit www.zurn.com.

Z197 RISER SLEEVE



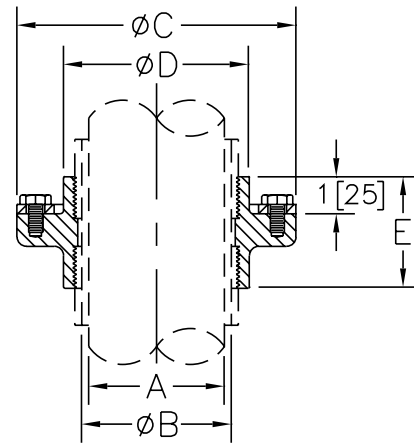
ENGINEERING SPECIFICATION

Zurn Z197 riser sleeve features Dura-Coated cast iron body, double threaded pipe connector with combination membrane flashing flange. (Pipe sleeve furnished by others.)

Dimensions in inches [mm]					Approximate Weight lb [kg]
A	B	C	D	E	
1-1/2 [38]	2-1/2 [64]	6-1/2 [165]	4 [102]	2-3/4 [70]	6 [3]
2 [51]	3 [76]				7 [3]
3 [76]	4 [102]				9 [4]
4 [102]	5 [127]	8-1/2 [216]	6 [152]	3-1/4 [83]	10 [5]
5 [127]	6 [152]	9-1/2 [241]	7-1/8 [181]	3-3/8 [86]	13 [6]
6 [152]	8 [203]	11-7/8 [302]	9-3/8 [238]	3-5/8 [92]	19 [9]

PREFIXES	DESCRIPTION	PIPE SIZE	LIST PRICE
Z197*	D.C.C.I. Body	1-1/2"	455.00
		2", 3"	503.00
		4"	700.00
		5"	725.00
		6"	1,011.00

OUTLETS (SPECIFY PIPE SIZE IN INCHES AND TYPE OF OUTLET)			
OUTLET TYPE		OUTLET DESIGNATION (PIPE SIZE/OUTLET TYPE)	ADD
IP	Threaded	1.5IP, 2IP, 3IP, 4IP, 5IP, 6IP	N/C
SUFFIXES			
-G Galvanized Cast Iron			304.00



Z198 PARAPET SCUPPER SLEEVE



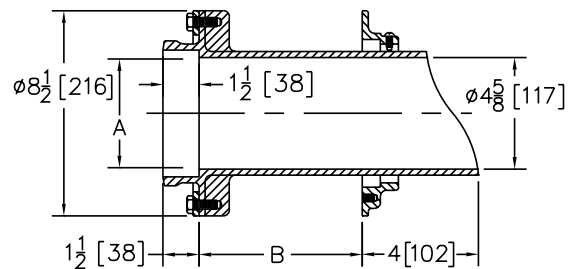
ENGINEERING SPECIFICATION

Zurn Z198 parapet scupper sleeve features Dura-Coated cast iron body with fixed position combination membrane flashing flange and clamp and parapet wall face closing.

Product Designation	Dimensions in inches [mm]		Approximate Weight lb [kg]
	A Pipe Size	B Wall Thickness	
-8	4 [102]	8-1/2 [216]	26 [12]
-11		11 [279]	29 [13]
-13		13-1/2 [343]	31 [14]
-17		17-1/2 [445]	35 [16]
-22		22-1/2 [572]	40 [18]

PREFIXES	DESCRIPTION	PRODUCT DESIGNATION	LIST PRICE	
Z198*	D.C.C.I. Body	-8,	754.00	
		-11		
		-13		1,029.00
		-17		1,101.00
		-22		1,128.00

OUTLETS (SPECIFY PIPE SIZE IN INCHES AND TYPE OF OUTLET)			
OUTLET TYPE		OUTLET DESIGNATION (PIPE SIZE/OUTLET TYPE)	ADD
HB	Hub	4HB	N/C
SUFFIXES			
-G Galvanized Cast Iron			507.00

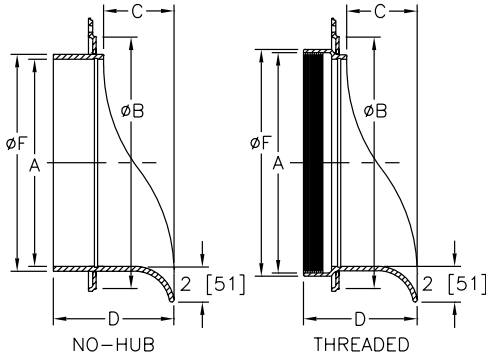


Z199 DOWNSPOUT NOZZLE



ENGINEERING SPECIFICATION

Zurn ZANB199 downspout nozzle features all nickel bronze body, optional threaded or no-hub inlet and decorative face of wall flange and outlet nozzle.



PREFIXES	DESCRIPTION	PIPE SIZE	LIST PRICE
ZANB199*	All Nickel Bronze Body	2", 3", 4"	508.00
		5", 6"	981.00
		8"	1,070.00
		10"	1,574.00
		12"	2,075.00
ZAB199	All Polished Bronze Body	2", 3", 4"	508.00
		5", 6"	981.00
		8"	1,070.00
		10"	1,574.00
		12"	2,075.00
ZARB199	All Plain Bronze Body	2", 3", 4"	508.00
		5", 6"	981.00
		8"	1,070.00
		10"	1,574.00
		12"	2,075.00
OUTLETS (SPECIFY PIPE SIZE IN INCHES AND TYPE OF OUTLET)			
OUTLET TYPE	OUTLET DESIGNATION (PIPE SIZE/OUTLET TYPE)		ADD
IP	Threaded	2IP, 3IP, 4IP, 5IP, 6IP, 8IP, 10IP, 12IP	N/C
NH	No-Hub	2NH, 3NH, 4NH, 5NH, 6NH, 8NH, 10NH, 12NH	N/C
SUFFIXES			ADD
⌚ -PVC	PVC Connection		N/C
-SS	Removable Stainless Screen		298.00

Dimensions in inches [mm]							Approximate Weight lb [kg]
A	B	C	D		F		
			IP	NH	IP	NH	
2 [51]	4-1/2 [114]	2-5/8 [67]	4-1/2 [114]	4-1/2 [114]	2-13/16 [71]	2-3/8 [60]	5 [2]
3 [76]	5-1/2 [140]	2-5/8 [67]			3-15/16 [100]	3-3/8 [86]	6 [3]
4 [102]	6-5/8 [168]	2-43/64 [68]			4-15/16 [125]	4-3/8 [111]	7 [3]
5 [127]	7-5/8 [194]	3-1/16 [78]	4-59/64 [125]	5-15/32 [139]	6-1/16 [154]	5-5/16 [135]	12 [5]
6 [152]	8-5/8 [219]	3-3/32 [79]			7-1/8 [181]	6-5/16 [160]	13 [6]
8 [203]	10-5/8 [270]	2-31/32 [75]			9-1/8 [232]	8-3/8 [213]	14 [6]
10 [254]	12-5/8 [321]	3-1/2 [89]	5-53/64 [148]	6-5/16 [160]	11-5/32 [283]	10-9/16 [268]	15 [7]
12 [305]	14-5/8 [371]	4-5/64 [104]	6-13/32 [163]	6-57/64 [175]	13-5/32 [334]	12-1/2 [318]	18 [8]

*Regularly furnished unless otherwise specified.

⌚ This symbol denotes a product that is engineered to reduce installation and rework time.

For additional product information, please visit www.zurn.com.

INTRO
ROOF DRAINS
FLOOR DRAINS
T, P, BW VALVES
INTERCEPTORS
CARRIERS
HYDRANTS
CLEANOUTS
WHA
SS DRAINS
FAB SS DRAINS
SANI-FLOOR
TECH INFO

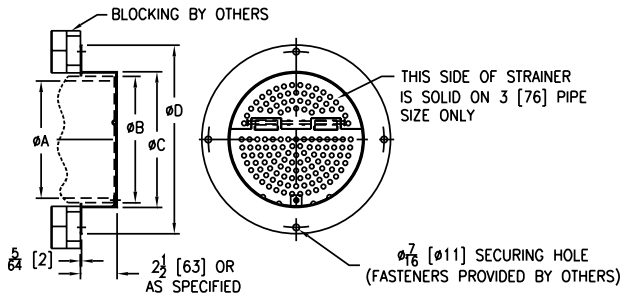
Z199-DC DOWNSPOUT COVER



ENGINEERING SPECIFICATION

Zurn ZS199-DC downspout cover features round fabricated stainless steel frame with fabricated, secured, perforated, stainless steel hinged strainer.

PREFIXES	DESCRIPTION	PIPE SIZE	LIST PRICE
ZS199-DC*	Type 304	3"	1,823.00
	Stainless	4"	1,823.00
	Steel	6"	1,925.00
		8"	2,019.00
		10"	2,136.00
		12"	2,264.00
		15"	2,393.00
SUFFIXES			ADD
-CP	Chrome Plated		392.00
-VP	Vandal Proof Secured Top		89.00
-5	5" Long Downspout Frame		N/C



Dimensions in inches [mm]				Strainer Open Area sq in [cm ²]
A	B	C	D	
3 [76]	3-1/2 [89]	4-1/4 [108]	7-7/8 [200]	1-1/2 [9.7]
4 [102]	4-1/2 [114]	5-5/32 [131]	8-3/4 [222]	3-5/16 [21]
6 [152]	6-5/8 [168]	7-1/4 [184]	10-7/8 [276]	5-1/2 [35]
8 [203]	8-5/8 [219]	9-1/4 [235]	12-7/8 [327]	10-5/16 [67]
10 [254]	10-3/4 [273]	11-3/8 [289]	15 [381]	17-13/16 [50]
12 [305]	12-3/4 [324]	13-3/8 [340]	17 [432]	27 [174]
15 [381]	15 [381]	16-1/2 [419]	20-1/8 [511]	43-5/16 [279]

FLOOR DRAINS

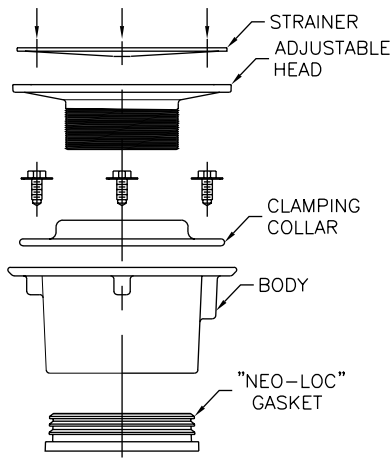
FLOOR DRAINS - GENERAL INFORMATION	61	ZN400 "TYPE R" CIRCULAR ADJUSTABLE STRAINER WITH SURFACE CLAMP RING AND GRATE	80
FLOOR DRAINS - APPLICATION INDEX	61	Z400 "TYPE S" SQUARE STRAINER	81
Z211 FLOOR DRAIN BODY ONLY	62	ZS400 "TYPE SS" SQUARE STRAINER	81
Z211-A FLOOR DRAIN WITH ROUND STRAINER	62	Z400 "TYPE SC" SQUARE STRAINER WITH SOLID HINGED COVER	82
ZN211-B FLOOR AND SHOWER DRAIN WITH ROUND NICKEL BRONZE STRAINER	63	Z400 "TYPE SH" SQUARE HINGED STRAINER	82
ZN211-BE ROUND FUNNEL NICKEL BRONZE FLOOR DRAIN	63	Z400 "TYPE SL" SQUARE STRAINER WITH DEX-O-TEX FLANGE	83
ZN211-BF OVAL OPEN THROAT FUNNEL NICKEL BRONZE FLOOR DRAIN	64	⌚ Z400 "TYPE SZ" SQUARE LEVELING STRAINER WITH SLOTTED OPENINGS	83
ZXN211-H FLOOR DRAIN WITH HEAVY DUTY SQUARE STRAINER	64	⌚ Z400-SR FLOOR DRAIN STABILIZER RING	84
Z211-Y FLOOR DRAIN WITH SQUARE HEAVY-DUTY STRAINER	65	Z400-U ADJUSTABLE STRAINER EXTENSION	84
Z300 THOROFLUSH DRAIN	65	⌚ Z400-18 LEVELING RING	84
Z310 THOROFLUSH DRAIN	66	Z400 "TYPE Y" SQUARE STRAINER	85
Z315 VANDAL-PROOF ACCESS DRAIN	66	ZSS400 "TYPE Y" SQUARE STAINLESS STEEL STRAINER	85
Z319 THOROFLUSH DRAIN - LARGE CAPACITY	67	ZXN400 "TYPE Y" HEAVY-DUTY SQUARE ADJUSTABLE STRAINER	85
Z320 REFRIGERATOR DRAIN	67	⌚ ZC400B-DC ROUND FLOOR DRAIN DEBRIS COVER	86
Z325 INDIRECT WASTE FUNNEL WITH INTEGRAL BACKWATER VALVE	68	⌚ ZC400S-DC SQUARE FLOOR DRAIN DEBRIS COVER	86
Z326 INDIRECT WASTE FUNNEL	68	Z414 4" [102 MM] ROUND FUNNEL	87
Z349 TERRACE PLANTING AREA DRAIN	69	Z414-1 3-1/2" X 9" [89 MM X 229 MM] OVAL FUNNEL	87
Z350 PLANTING AREA DRAIN	69	Z415 FLOOR DRAIN BODY WITH CLAMPING COLLAR	88
Z355 PRISON CELL FLOOR DRAIN	70	ZX415-A FLOOR DRAIN WITH HEAVY-DUTY ROUND STRAINER	89
ZXN400 "TYPE A" HEAVY-DUTY NICKEL BRONZE ROUND STRAINER	70	ZXN415-A FLOOR DRAIN WITH HEAVY-DUTY ROUND STRAINER	90
ZX400 "TYPE A" HEAVY-DUTY CAST IRON STRAINER	71	ZN415-B FLOOR AND SHOWER DRAIN WITH ROUND STRAINER	91
ZN400 "TYPE B" ROUND STRAINER WITH HEEL-PROOF SQUARE OPENINGS	71	ZN415-BE FUNNEL FLOOR DRAIN	92
ZS400 "TYPE B" ROUND STAINLESS STEEL STRAINER	72	ZN415-BF OVAL FUNNEL FLOOR DRAIN	93
ZS400 "TYPE BS" ROUND STRAINER WITH SLOTTED OPENINGS	72	ZS415 BODY ASSEMBLY WITH "TYPE BS" STRAINER	94
ZN400 "TYPE BF" ROUND NICKEL BRONZE STRAINER WITH OVAL FUNNEL - OPEN THROAT	73	Z415 BODY ASSEMBLY WITH "TYPE BL" STRAINER	95
Z400 "TYPE BL" ROUND STRAINER WITH DEX-O-TEX FLANGE	73	⌚ Z415 BODY ASSEMBLY WITH "TYPE BZ" LEVELING STRAINER	96
⌚ Z400 "TYPE BZ" ROUND LEVELING STRAINER WITH SQUARE OPENINGS	74	Z415 BODY ASSEMBLY WITH "TYPE C" STRAINER	97
Z400 "TYPE C" ROUND HINGED STRAINER	74	Z415 BODY ASSEMBLY WITH "TYPE D" STRAINER	98
Z400 "TYPE D" ROUND STRAINER WITH SOLID HINGED COVER	75	Z415 BODY ASSEMBLY WITH "TYPE E" STRAINER	99
Z400 "TYPE E" ROUND STRAINER WITH INTEGRAL FUNNEL	75	Z415 BODY ASSEMBLY WITH "TYPE G" STRAINER	100
Z400 "TYPE G" ROUND STRAINER WITH DOME	76	ZXN415-H FLOOR DRAIN WITH HEAVY-DUTY SQUARE GRATE	101
ZXN400 "TYPE H" HEAVY-DUTY SQUARE ADJUSTABLE STRAINER	76	Z415 BODY ASSEMBLY WITH "TYPE I" STRAINER	102
Z400 "TYPE I" ROUND STRAINER WITH RAISED LIP	77	Z415 BODY ASSEMBLY WITH "TYPE J" HEEL-PROOF STRAINER	103
Z400 "TYPE J" RECTANGULAR STRAINER WITH HEEL-PROOF SLOTTED OPENINGS	78	Z415 BODY ASSEMBLY WITH "TYPE K" STRAINER	104
Z400 "TYPE K" ANGULAR STRAINER	79	Z415 BODY ASSEMBLY WITH "TYPE M" STRAINER AND SUR-SET BUCKET	105
Z400 "TYPE M" ROUND STRAINER WITH SLOTTED OPENINGS AND SUR-SET BUCKET	79	Z415 BODY ASSEMBLY WITH "TYPE N" STRAINER	106
Z400 "TYPE N" ROUND STRAINER WITH DEEP FLANGED GRATE	80	ZN415-R FLOOR DRAIN WITH CIRCULAR ADJUSTABLE STRAINER WITH SURFACE CLAMP RING AND GRATE	107
		Z415 BODY ASSEMBLY WITH "TYPE S" STRAINER	108

ZS415 BODY ASSEMBLY WITH "TYPE SS" STRAINER	109	Z540 12-1/4" [311 MM] MEDIUM-DUTY DRAIN WITH SUR-SET BUCKET	141
Z415 BODY ASSEMBLY WITH "TYPE SC" STRAINER	110	Z541 12-1/4" [311 MM] DIAMETER HEAVY-DUTY DRAIN	142
Z415 BODY ASSEMBLY WITH "TYPE SH" STRAINER	111	Z545 16" DIAMETER HEAVY-DUTY DRAIN	143
Z415 BODY ASSEMBLY WITH "TYPE SL" STRAINER	112	Z546 21-1/2" [546 MM] DIAMETER EXTRA HEAVY-DUTY DRAIN	144
🕒 Z415 BODY ASSEMBLY WITH "TYPE SZ" LEVELING STRAINER	113	Z547 21" [533 MM] DIAMETER EXTRA HEAVY-DUTY HEEL-PROOF PARKING DECK DRAIN WITH SUPPORT FLANGE	144
Z415-U BODY ASSEMBLY WITH "TYPE U" HUB FUNNEL	114	Z550 9" [229 MM] DIAMETER MEDIUM-DUTY DRAIN	145
ZN415-Y FLOOR DRAIN WITH NICKEL BRONZE SQUARE STRAINER	115	Z551 9" [229 MM] DIAMETER MEDIUM-DUTY DRAIN	146
ZX(N)415-Y8 FLOOR DRAIN WITH HEAVY-DUTY SQUARE ADJUSTABLE CAST IRON STRAINER	116	Z554 9" [229 MM] MEDIUM-DUTY DRAIN WITH SUR-SET BUCKET	146
Z420 DEEP SHANK FLOOR AND SHOWER DRAIN FOR MARBLE AND GRANITE APPLICATIONS	117	Z555 8" [203 MM] HEAVY-DUTY FLOOR DRAIN WITH DEEP ANTI-TILT GRATE	147
Z450 DRUM TRAP DRAIN WITH "TYPE B" STRAINER	118	Z556 8" [203 MM] ADJUSTABLE HEAVY-DUTY DRAIN	148
Z451 SHALLOW TRAP DRAIN WITH "TYPE B" STRAINER	119	Z566 12" [305 MM] SQUARE OPEN TOP DRAIN	149
Z453 DEEP SEAL TRAP DRAIN WITH "TYPE B" STRAINER	120	Z575 6" X 12" [152 MM X 305 MM] MEDIUM-DUTY GUTTER DRAIN	149
Z455 TRAP DRAIN WITH FLOOR CLEANOUT WITH "TYPE B" STRAINER	121	Z587 12-1/4" X 9-1/2" [311 MM X 241 MM] MEDIUM-DUTY DRAIN	150
Z456 DEEP SEAL TRAP DRAIN WITH FLOOR CLEANOUT AND CLAMP COLLAR WITH "TYPE B" STRAINER	122	Z609 9" [229 MM] SQUARE HEAVY-DUTY DRAIN	151
Z460B SHALLOW BODY FLOOR DRAIN WITH SIDE OUTLET AND "TYPE B" STRAINER	123	Z610 12-1/2" [318 MM] HEAVY-DUTY DRAIN	152
Z461 6" [152 MM] SQUARE MODULAR NON-ADJUSTABLE FLOOR DRAIN WITH CLAMPING FRAME	124	Z610-ADJ 12" [305 MM] SQUARE HEAVY-DUTY ADJUSTABLE DRAIN	153
Z503 15" [381 MM] HEAVY-DUTY AREA DRAIN	124	Z611 9" [229 MM] MEDIUM-DUTY DRAIN	154
Z505 12" [305 MM] HEAVY-DUTY DRAIN	125	Z624 ISOLATION DECK DRAIN	155
Z507 7" [178 MM] MEDIUM-DUTY DRAIN	126	Z625 ADJUSTABLE ISOLATION DECK DRAIN	155
Z508 9" [229 MM] EXTRA-HEAVY-DUTY DRAIN	127	Z627 HEAVY-DUTY ADJUSTABLE ISOLATION DECK DRAIN	156
Z509 12" [305 MM] HEAVY-DUTY DRAIN	128	Z629 VERTICAL WALL DRAIN WITH BACKWATER VALVE	157
Z511 9" [229 MM] HEAVY-DUTY DRAIN	129	Z662 16" [406 MM] HEAVY-DUTY DRAIN	158
Z512 12-1/4" [311 MM] HEAVY-DUTY DRAIN	130	Z662-HF 16" [406 MM] HEAVY-DUTY DRAIN WITH HIGH FLOW DUCTILE IRON GRATE	159
Z513 9" [229 MM] SQUARE HINGED HEAVY-DUTY DRAIN	131	Z664 6" [152 MM] WIDE HEAVY-DUTY MODULAR TRENCH DRAIN	160
Z520 9" [229 MM] ADJUSTABLE HEAVY-DUTY DRAIN	132	Z665 12" [305 MM] WIDE HEAVY-DUTY MODULAR TRENCH DRAIN	161
Z521 12" [305 MM] DIAMETER ADJUSTABLE HEAVY-DUTY DRAIN	133	Z667 6" [152 MM] WIDE MEDIUM-DUTY MODULAR TRENCH DRAIN	162
Z526 12" [305 MM] ADJUSTABLE HEAVY-DUTY DRAIN	134	Z668 11-1/4" X 19-1/4" [279 MM X 483 MM] HEAVY-DUTY DRAIN	162
Z530 9" [229 MM] MEDIUM-DUTY WIDE FLANGE DECK DRAIN	135	Z673 29" X 30" [737 MM X 762 MM] EXTRA HEAVY-DUTY DRAIN	163
Z531 9" [229 MM] ADJUSTABLE FRAME WIDE FLANGE MEDIUM-DUTY DECK DRAIN	135	Z675 13-1/2" [343 MM] EXTRA HEAVY-DUTY DRAIN	163
Z532 12-1/4" [311 MM] DIAMETER WIDE FLANGE HEAVY-DUTY FLOOR DRAIN	136	Z676 13-1/2" [343 MM] EXTRA HEAVY-DUTY DRAIN	164
Z533 9" [229 MM] DIAMETER HEAVY-DUTY PARKING DECK DRAIN WITH SUPPORT FLANGE	136	Z730 9" [229 MM] TOP MEDIUM-DUTY DRAIN	165
Z534 12-1/4" [311 MM] DIAMETER HEAVY-DUTY PARKING DECK DRAIN WITH SUPPORT FLANGE	137	Z742 LIGHT-DUTY TRAP DRAIN	166
Z535 HEAVY-DUTY PARKING STRUCTURE DRAIN	137	Z761 12-1/2" X 12-1/2" [318 MM X 318 MM] HEAVY-DUTY DRAIN	167
Z536-8 8" [203 MM] DIAMETER HEAVY-DUTY ADJUSTABLE FLOOR DRAIN	138	ZF799 HEAVY-DUTY CATCH BASIN DRAIN	168
Z536 15-3/8" [391 MM] DIAMETER HEAVY-DUTY PARKING DECK DRAIN WITH SUPPORT FLANGE	138	VP-DRIVER VANDAL-PROOF DRIVER	168
Z537 15-7/8" [403 MM] SQUARE TOP HEAVY-DUTY PARKING DECK DRAIN WITH SUPPORT FLANGE	139		
Z539 12-1/4" [311 MM] HEAVY-DUTY DRAIN WITH DEEP SUMP	140		

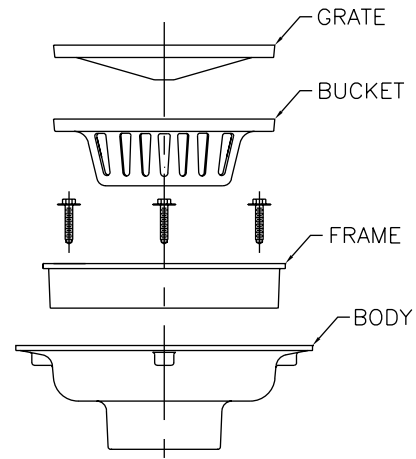
FLOOR DRAINS - GENERAL INFORMATION

Zurn floor drains are generally made up of a body, combination frame/clamp collar and top grate. The assemblies shown below illustrate the more common components utilized in floor drains.

Zurn floor drains are available in 2" through 10" outlet sizes (and 12" for specific drains and outlet type) with Inside Caulk, Threaded, No-Hub and Neo-Loc connections.



Z415 "Type B" Illustrated



Z541 Illustrated

FLOOR DRAINS - APPLICATION INDEX

The Zurn floor drains below are recommended for the applications listed. Most Zurn floor drains can be readily adapted for use in finished areas by using bronze or nickel bronze grates and strainers. (Use Prefix "ZB" or "ZN" preceding the product number in place of the usual "Z" Prefix.)

APPLICATION	RECOMMENDED FLOOR DRAIN
Automobile Parking Area	Z533, Z534, Z535, Z536, Z537, Z541, Z546, Z547, Z662, Z662-HF, Z761
Basement and Subterranean Areas	Z566, Z730
Boiler House and Maintenance Areas	Z541-90, Z546, Z645, Z761
Clinical, Surgical, Detention Areas	Z300, Z310, Z315, Z319, Z461
Entrances and Concourses	Z587, Z664, Z665, Z667
Finished Area/Gutter	Z460B, Z575
Finished Interior Floor Areas Adjustable	ZN415, ZS415, ZN450, Z451B, ZN453, ZN455, ZN456, Z460B, Z461
Food Preparation Areas	Z320, ZN610-SS (Also See Sani-Flor Receptors - Z1900 Series)
Garage, Hangar and Service Areas	Z546, Z664, Z665, Z667, Z673, Z675, Z676
Indirect Waste Area (Condensate and Drip)	Z325, Z326, Z328, Z329, Z566
Industrial Areas - Vertical Adjustment	Z520, Z521, Z526
Medium Duty	Z550, Z551, Z609, Z611, Z667, Z730
Heavy Duty	Z508, Z509, Z511, Z512, Z520, Z521, Z532, Z539, Z541, Z545, Z575
Extra Heavy Duty	Z546, Z503, Z512, Z541, Z610, Z645, Z662, Z664, Z668, Z673, Z675, Z676
Traps and Backwater Valves	Z730, Z761
Planting Area	Z349, Z350
Prison Cell (Multi-Purpose)	Z355
Roadways	Z546, Z610, Z668, Z673

*Regularly furnished unless otherwise specified.

⌚ This symbol denotes a product that is engineered to reduce installation and rework time.

For additional product information, please visit www.zurn.com

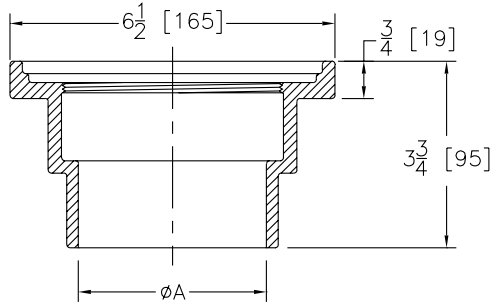
Z211 FLOOR DRAIN BODY ONLY



ENGINEERING SPECIFICATION

Zurn Z211 Floor and Shower Drain, Dura-Coated cast iron body with bottom outlet.

Dimensions in inches [mm]		Approximate Weight lb [kg]
A Pipe Size	Body Height	
2 - 3 - 4 [51-76-102]	3-3/4 [95]	4 [2]



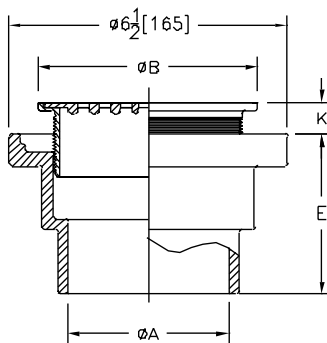
PREFIXES	DESCRIPTION	STRAINER DESIGNATION	LIST PRICE
Z211	Dura-Coated Cast Iron Body	No Strainer	53.00
OUTLETS (SPECIFY PIPE SIZE IN INCHES AND TYPE OF OUTLET)			
OUTLET TYPE	PIPE SIZE/OUTLET TYPE		ADD
NH	No-Hub	2NH, 3NH, 4NH	N/C
SUFFIXES			
SUFFIXES			ADD
-GB	Galvanized Cast Iron Body Only		75.00
-P	1/2" [13mm] Trap Primer Connection		16.00

Z211-A FLOOR DRAIN WITH ROUND STRAINER



ENGINEERING SPECIFICATION

Zurn ZXN211-A Floor and Shower Drain, Dura-Coated cast iron body with bottom outlet, adjustable "Type A" heavy-duty polished nickel bronze round strainer.



PREFIXES	DESCRIPTION	STRAINER DESIGNATION	LIST PRICE
ZX211-A	Dura-Coated Cast Iron Body with heavy-duty cast iron round strainer	-5A	151.00
ZXN211-A	Dura-Coated Cast Iron Body with heavy-duty polished nickel bronze round strainer	-5A -6A	256.00 338.00
OUTLETS (SPECIFY PIPE SIZE IN INCHES AND TYPE OF OUTLET)			
OUTLET TYPE	PIPE SIZE/OUTLET TYPE		ADD
NH	No-Hub	2NH, 3NH, 4NH	N/C
SUFFIXES			
SUFFIXES			ADD
-G	Galvanized Cast Iron Complete (ZX211 Only)		128.00
-GB	Galvanized Cast Iron Body Only		75.00
-P	1/2" [13mm] Trap Primer Connection		16.00
-VP	Vandal-Proof Secured Top		30.00
-X	Squeezin Backwater Valve		66.00
-Y	Sediment Bucket		38.00

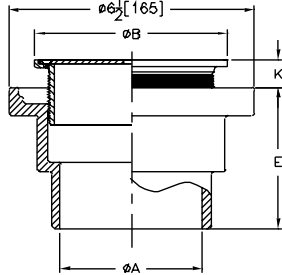
Strainer Designation	A Pipe Size	Size B Strainer Dia.	K		Open Area sq in [cm ²]	Approximate Weight lb [kg]
			Min.	Max.		
-5A	2 - 3 - 4 [51-76-102]	5 [127]	1/4 [6]	1-1/4 [32]	7 [45]	8 [4]
-6A	2 - 3 - 4 [51-76-102]	6 [152]	3/4 [19]	1-5/8 [41]	11 [71]	9 [4]

ZN211-B FLOOR AND SHOWER DRAIN WITH ROUND NICKEL BRONZE STRAINER



ENGINEERING SPECIFICATION

Zurn ZN211-B Floor and Shower Drain features a Dura-Coated cast iron body with bottom outlet, adjustable "Type B" polished nickel bronze round strainer.



PREFIXES	DESCRIPTION	STRAINER DESIGNATION	LIST PRICE
ZN211-B*	Dura-Coated cast iron body with polished nickel bronze round strainer	-5B	191.00
		-6B	264.00
		-7B	365.00
		-8B	518.00

OUTLETS (SPECIFY PIPE SIZE IN INCHES AND TYPE OF OUTLET)			
OUTLET TYPE	PIPE SIZE/OUTLET TYPE	ADD	
NH	No-Hub	2NH, 3NH, 4NH	N/C
SUFFIXES			
ADD			
-GB	Galvanized Cast Iron Body Only		75.00
-P	1/2" [13mm] Trap Primer Connection		16.00
-VP	Vandal-Proof Secured Top		30.00
-X	Squeezin Backwater Valve		66.00
-Y	Sediment Bucket		38.00
-210	8" [203mm] Wide Flange Body (Formerly Z210)		28.00
-210-WD	8" [203mm] Wood Deck Drain (Note: Add to price of ZN211-5B only)		279.00

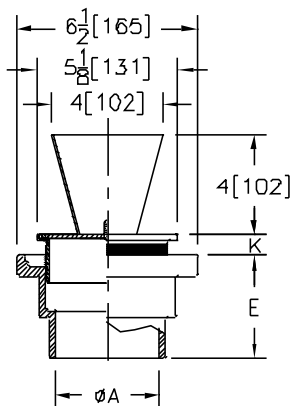
Strainer Designation	Dimensions in inches [mm]				Open Area sq in [cm ²]	Approximate Weight lb [kg]
	A Pipe Size	Size B Strainer Dia.	K			
			Min.	Max.		
-5B	2 - 3 - 4 [51-76-102]	5 [127]	1/4 [6]	1-1/4 [32]	8 [52]	7 [3]
-6B	2 - 3 - 4 [51-76-102]	6 [152]	1/4 [6]	1-1/4 [32]	9 [58]	7 [3]
-7B	2 - 3 - 4 [51-76-102]	7 [178]	1/4 [6]	1-1/4 [32]	12 [77]	8 [4]
-8B	2 - 3 - 4 [51-76-102]	8 [203]	1/4 [6]	1-1/4 [32]	18 [116]	9 [4]

ZN211-BE ROUND FUNNEL NICKEL BRONZE FLOOR DRAIN



ENGINEERING SPECIFICATION

Zurn ZN211-BE Funnel Floor Drain features a Dura-Coated cast iron body with bottom outlet, adjustable "Type BE" polished nickel bronze round strainer with 4" [102mm] round funnel.



PREFIXES	DESCRIPTION	STRAINER DESIGNATION	LIST PRICE
ZN211-BE*	Dura-Coated Cast Iron Body with polished nickel bronze round strainer with 4" [102mm] round funnel	-5BE	370.00

OUTLETS (SPECIFY PIPE SIZE IN INCHES AND TYPE OF OUTLET)			
OUTLET TYPE	PIPE SIZE/OUTLET TYPE	ADD	
NH	No-Hub	2NH, 3NH, 4NH	N/C
SUFFIXES			
ADD			
-GB	Galvanized Cast Iron Body Only		75.00
-P	1/2" [13mm] Trap Primer Connection		16.00
-VP	Vandal-Proof Secured Top		30.00
-X	Squeezin Backwater Valve		66.00
-Y	Sediment Bucket		38.00

Strainer Designation	Dimensions in inches [mm]				Open Area sq in [cm ²]	Approximate Weight lb [kg]
	A Pipe Size	Funnel Diameter	K			
			Min.	Max.		
-5BE	2 - 3 - 4 [51-76-102]	4 [102]	1/4 [6]	1-1/4 [32]	5 [32]	8 [4]

*Regularly furnished unless otherwise specified.

⌚ This symbol denotes a product that is engineered to reduce installation and rework time.

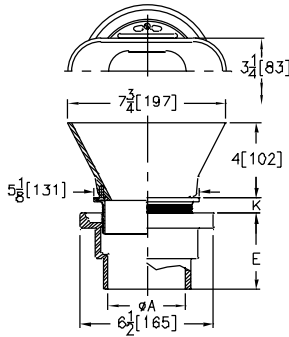
For additional product information, please visit www.zurn.com

ZN211-BF OVAL OPEN THROAT FUNNEL NICKEL BRONZE FLOOR DRAIN



ENGINEERING SPECIFICATION

Zurn ZN211-BF Funnel Floor Drain features a Dura-Coated cast iron body with bottom outlet, adjustable "Type BF" polished nickel bronze round strainer with secured open throat oval funnel.



PREFIXES	DESCRIPTION	STRAINER DESIGNATION	LIST PRICE
ZN211-BF*	Dura-Coated Cast Iron Body with polished nickel bronze round strainer with secured open throat oval funnel	-5BF	448.00
Z211-BF	Dura-Coated Cast Iron Body with round strainer with secured open throat oval funnel	-5BF	251.00
OUTLETS (SPECIFY PIPE SIZE IN INCHES AND TYPE OF OUTLET)			
OUTLET TYPE	PIPE SIZE/OUTLET TYPE	ADD	
NH	No-Hub	2NH, 3NH, 4NH	N/C
SUFFIXES			
			ADD
-G	Galvanized Cast Iron Complete		128.00
-GB	Galvanized Cast Iron Body Only		75.00
-P	1/2" [13mm] Trap Primer Connection		16.00
-VP	Vandal-Proof Secured Top		30.00
-X	Squeezin Backwater Valve		66.00
-Y	Sediment Bucket		38.00

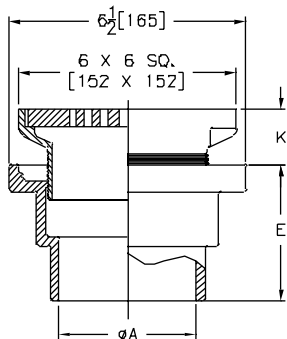
Strainer Designation	Dimensions in inches [mm]				Open Area sq in [cm ²]	Approximate Weight lb [kg]
	A Pipe Size	Funnel Size	K			
			Min.	Max.		
-BF	2 - 3 - 4 [51-76-102]	3-1/4 x 8 [83 x 203]	1/4 [6]	1-1/4 [32]	3 [19]	9 [4]

ZXN211-H FLOOR DRAIN WITH HEAVY DUTY SQUARE STRAINER



ENGINEERING SPECIFICATION

Zurn ZXN211-H Floor and Shower Drain features a Dura-Coated cast iron body with bottom outlet, adjustable "Type H" heavy-duty polished nickel bronze square strainer.



PREFIXES	DESCRIPTION	STRAINER DESIGNATION	LIST PRICE
ZXN211-H*	Dura-Coated Cast Iron Body with heavy-duty polished nickel bronze square strainer	-6H	380.00
OUTLETS (SPECIFY PIPE SIZE IN INCHES AND TYPE OF OUTLET)			
OUTLET TYPE	PIPE SIZE/OUTLET TYPE	ADD	
NH	No-Hub	2NH, 3NH, 4NH	N/C
SUFFIXES			
			ADD
-GB	Galvanized Cast Iron Body Only		75.00
-P	1/2" [13mm] Trap Primer Connection		16.00
-VP	Vandal-Proof Secured Top		30.00
-X	Squeezin Backwater Valve		66.00
-Y	Sediment Bucket		38.00

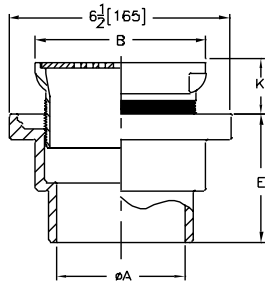
Strainer Designation	Dimensions in inches [mm]				Open Area sq in [cm ²]	Approximate Weight lb [kg]
	A Pipe Size	Funnel Size	K			
			Min.	Max.		
-H6	2 - 3 - 4 [51-76-102]	6 x 6 [152 x 152]	3/4 [19]	1-5/8 [41]	12 [77]	10 [5]

Z211-Y FLOOR DRAIN WITH SQUARE HEAVY-DUTY STRAINER



ENGINEERING SPECIFICATION

Zurn Z211-Y Floor and Shower Drain features a Dura-Coated cast iron body with bottom outlet, adjustable "Type Y" square strainer.



PREFIXES	DESCRIPTION	STRAINER DESIGNATION	LIST PRICE
ZN211-Y*	Dura-Coated Cast Iron Body with polished nickel bronze square strainer	-5Y -6Y	345.00 380.00
ZX211-Y*	Dura-Coated Cast Iron Body with heavy-duty square strainer	-8Y	264.00
ZXN211-Y*	Dura-Coated Cast Iron Body with heavy-duty square strainer	-8Y	636.00

OUTLETS (SPECIFY PIPE SIZE IN INCHES AND TYPE OF OUTLET)			
OUTLET TYPE	PIPE SIZE/OUTLET TYPE	ADD	
NH	No-Hub	2NH, 3NH, 4NH	N/C
SUFFIXES		ADD	
-G	Galvanized Complete (ZX211 and ZXN211 Only)	128.00	
-GB	Galvanized Cast Iron Body Only	75.00	
-P	1/2" [13mm] Trap Primer Connection	16.00	
-VP	Vandal-Proof Secured Top	30.00	
-X	Squeezein Backwater Valve	66.00	
-Y	Sediment Bucket	38.00	
-210	8" [203mm] Wide Flange Body (Formerly Z210)	28.00	

Strainer Designation	Dimensions in inches [mm]				Open Area sq in [cm ²]	Approximate Weight lb [kg]
	A Pipe Size	B Strainer Size	K			
			Min.	Max.		
-5Y	2 - 3 - 4 [51-76-102]	5 x 5 [127 x 127]	1 [25]	2 [51]	9 [58]	8 [4]
-6Y	2 - 3 - 4 [51-76-102]	6 x 6 [152 x 152]	1 [25]	2 [51]	12 [77]	10 [5]
-8Y	2 - 3 - 4 [51-76-102]	8 x 8 [203 x 203]	1 [25]	2 [51]	26 [168]	15 [7]

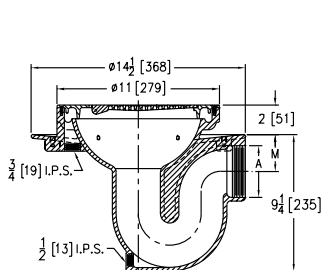
Z300 THOROFUSH DRAIN



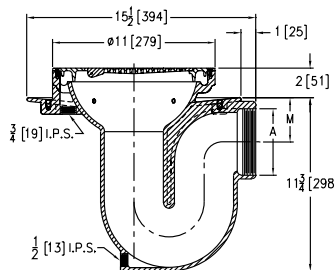
ENGINEERING SPECIFICATION

Zurn ZN300 11" [279mm] top thoroflush drain with integral double wall trap features cast iron body with white acid resistant epoxy coated exterior and interior, side outlet with seepage pan, nickel bronze flushing rim top, and slotted hinged grate.

Dimensions in inches [mm]		Grate Open Area sq in [cm ²]	Approximate Weight lb [kg]
A Pipe Size	M		
2 [51]	3 [76]	18 [116]	50 [23]
3 [76]	2-1/2 [64]		
4 [102]	3 [76]		



2" and 3" Pipe Sizes



4" Pipe Size

PREFIXES	DESCRIPTION	A PIPE SIZE	LIST PRICE
ZN300*	Cast Iron Body with A.R.C. Interior and Exterior with Polished Nickel Bronze Top	2" 3", 4"	3,604.00 3,713.00
ZB300	Cast Iron Body with A.R.C. Interior and Exterior with Polished Bronze Top	2" 3", 4"	3,425.00 3,528.00

OUTLETS (SPECIFY PIPE SIZE IN INCHES AND TYPE OF OUTLET)			
OUTLET TYPE	PIPE SIZE/OUTLET TYPE	ADD	
IP	Threaded	2IP, 3IP, 4IP	N/C
SUFFIXES		ADD	
-C	Clamping Collar	218.00	
-FG	Free Set Grate	213.00	
-IG	Integral Grate	227.00	
-SC	Solid Cover	428.00	
-ST	Solid Hinged Top	437.00	
-VP	Vandal-Proof Screws in Frame	30.00	
-WB	Water Supply Control Box (See Z1464)	2,640.00	

*Regularly furnished unless otherwise specified.

⌚ This symbol denotes a product that is engineered to reduce installation and rework time.

For additional product information, please visit www.zurn.com

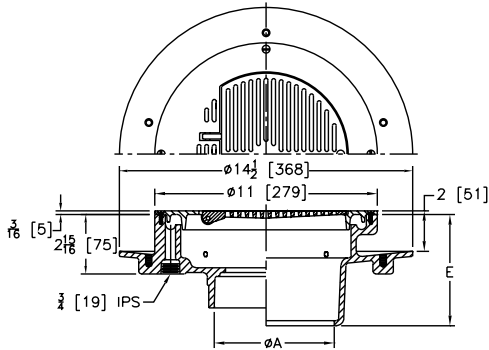
Z310 THOROFLUSH DRAIN



ENGINEERING SPECIFICATION

Zurn ZN310 11" [279mm] top thoroflush drain features cast iron body with white acid resistant epoxy coated exterior and interior, bottom outlet with seepage pan, nickel bronze flushing rim top, and slotted hinged grate.

A Pipe Size inch [mm]	Grate Open Area sq in [cm ²]	Approximate Weight lb [kg]
2 [51], 3 [76], 4 [102]	18 [116]	20 [9]



PREFIXES	DESCRIPTION	A PIPE SIZE	LIST PRICE
ZN310*	Cast Iron Body with A.R.C. Interior and Exterior with Polished Nickel Bronze Top	2", 3", 4"	2,766.00
ZB310	Cast Iron Body with A.R.C. Interior and Exterior with Polished Bronze Top	2", 3", 4"	2,634.00

OUTLETS (SPECIFY PIPE SIZE IN INCHES AND TYPE OF OUTLET)			
OUTLET TYPE	PIPE SIZE/OUTLET TYPE	E BODY HT. DIM.	ADD
IP	Threaded	2IP, 3IP, 4IP	5-1/2" [140mm] 72.00
NL	Neo-Loc	2NL, 3NL, 4NL	4-5/8" [117mm] 72.00

SUFFIXES			ADD
-C	Clamping Collar		218.00
-FG	Free Set Grate		213.00
-IG	Integral Grate		227.00
-ST	Solid Hinged Top		437.00
Ⓢ -TC	Neo-Loc Test Cap Gasket (2", 3", 4" NL Bottom Outlet Only)		86.00
-VP	Vandal-Proof Screws in Frame		30.00
-WB	Water Supply Control Box (See Z1464)		2,640.00

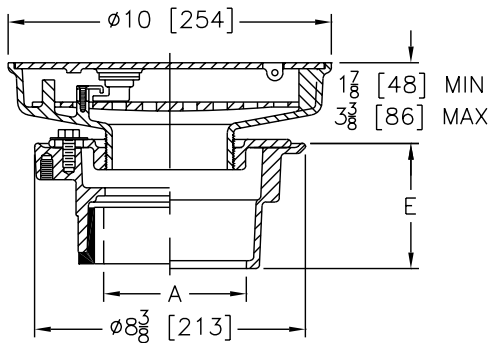
Z315 VANDAL-PROOF ACCESS DRAIN



ENGINEERING SPECIFICATION

Zurn ZN315 10" [254mm] top vandal-proof drain features Dura-Coated cast iron body bottom outlet, invertible membrane clamp, vertically adjustable nickel bronze top with secondary strainer, and hinged solid locking cover.

A Pipe Size inch [mm]	Approximate Weight lb [kg]
2 [51]	23 [10]
3 [76]	24 [11]
4 [102]	25 [11]



PREFIXES	DESCRIPTION	A PIPE SIZE	LIST PRICE
ZN315*	D.C.C.I Body with Polished Nickel Bronze Top	2", 3", 4"	1,894.00

OUTLETS (SPECIFY PIPE SIZE IN INCHES AND TYPE OF OUTLET)			
OUTLET TYPE	PIPE SIZE/OUTLET TYPE	E BODY HT. DIM.	ADD
NH	No-Hub	2NH, 3NH, 4NH	3-7/8" [98mm] N/C
NL	Neo-Loc	2NL, 3NL, 4NL	3-3/4" [95mm] 30.00

SUFFIXES			ADD
-G	Galvanized Cast Iron		66.00
-HL	Hinged Locking Grate		24.00
-P	Trap Primer Connection		16.00
Ⓢ -TC	Neo-Loc Test Cap Gasket (2", 3", 4" NL Bottom Outlet Only)		86.00

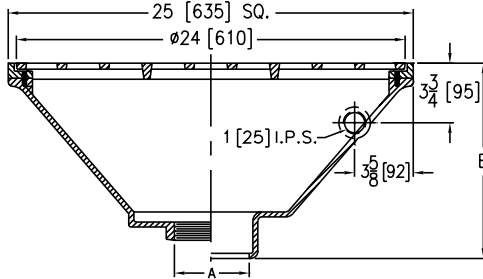
Z319 THOROFLUSH DRAIN – LARGE CAPACITY



ENGINEERING SPECIFICATION

Zurn ZN319 25" [635mm] large capacity thoroflush drain features cast iron body with white acid resistant coating, bottom outlet, and nickel bronze top frame and grate with flushing connection body.

A Pipe Size inch [mm]	Grate Open Area sq in [cm ²]	Approximate Weight lb [kg]
3 [76], 4 [102], 6 [152], 8 [203]	232 [1496]	118 [54]



PREFIXES	DESCRIPTION	A PIPE SIZE	LIST PRICE
ZN319*	Cast Iron Body with A.R.C. Interior and Polished Nickel Bronze Top	3", 4", 6", 8"	16,015.00

OUTLETS (SPECIFY PIPE SIZE IN INCHES AND TYPE OF OUTLET)			
OUTLET TYPE	PIPE SIZE/OUTLET TYPE	E BODY HT. DIM.	ADD
IC	Inside Caulk	3IC, 4IC	12-1/8" [308mm] 116.00
IG	Inside Gasket	3IG, 4IG	12-1/8" [308mm] 30.00
IP	Threaded	3IP, 4IP, 6IP, 8IP	11" [279mm] 72.00

SUFFIXES		ADD
-G	Galvanized Cast Iron	801.00
-P	Trap Primer Connection	16.00
-VP	Vandal-Proof Secured Top	86.00

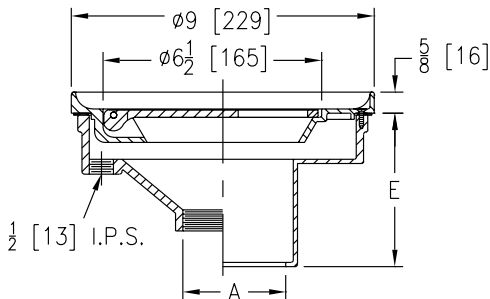
Z320 REFRIGERATOR DRAIN



ENGINEERING SPECIFICATION

Zurn ZN320 9" [229mm] refrigerator drain features cast iron body with white acid resistant epoxy coated interior, nickel bronze flushing rim top, and recessed hinged grate.

A Pipe Size inch [mm]	Grate Open Area sq in [cm ²]	Approximate Weight lb [kg]
2 [51], 3 [76], 4 [102]	7-1/2 [48]	15 [7]



PREFIXES	DESCRIPTION	A PIPE SIZE	LIST PRICE
ZN320*	Cast Iron Body with A.R.C. Interior and Polished Nickel Bronze Top	2", 3", 4"	1,134.00

OUTLETS (SPECIFY PIPE SIZE IN INCHES AND TYPE OF OUTLET)			
OUTLET TYPE	PIPE SIZE/OUTLET TYPE	E BODY HT. DIM.	ADD
IC	Inside Caulk	2IC, 3IC, 4IC	4-1/2" [114mm] N/C
IG	Inside Gasket	2IG, 3IG, 4IG	4-1/2" [114mm] 30.00
IP	Threaded	2IP, 3IP, 4IP	3-7/16" [87mm] 72.00

SUFFIXES		ADD
-G	Galvanized Cast Iron	66.00
-VP	Vandal-Proof Secured Top	30.00

*Regularly furnished unless otherwise specified.

⌚ This symbol denotes a product that is engineered to reduce installation and rework time.

For additional product information, please visit www.zurn.com

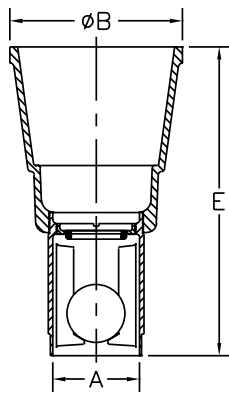
Z325 INDIRECT WASTE FUNNEL WITH INTEGRAL BACKWATER VALVE



ENGINEERING SPECIFICATION

Zurn Z325 7" [178mm] or 9" [229mm] diameter indirect waste funnel features Dura-Coated cast iron body, plastic ball float, bronze backwater valve bushing and replaceable neoprene seat.

Dimensions in inches [mm]		Approximate Weight lb [kg]
A Pipe Size	B	
2 [51]	6-3/4 [171]	13 [6]
3 [76]		16 [7]
4 [102]		20 [9]
6 [152]	8-5/8 [219]	37 [17]



PREFIXES	DESCRIPTION	A PIPE SIZE	LIST PRICE
Z325*	D.C.C.I. Body	2"	766.00
		3"	804.00
		4"	853.00
		6"	1,346.00

OUTLETS (SPECIFY PIPE SIZE IN INCHES AND TYPE OF OUTLET)			
OUTLET TYPE	PIPE SIZE/OUTLET TYPE	E BODY HT. DIM.	ADD
NH	No-Hub 2NH, 3NH	12-3/4" [324mm]	N/C
		15-1/4" [387mm]	N/C

SUFFIXES		ADD
-DB	Bottom Dome Strainer	30.00
-G	Galvanized Cast Iron	183.00
-S	Secondary Strainer	30.00

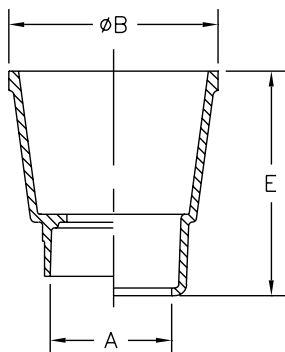
Z326 INDIRECT WASTE FUNNEL



ENGINEERING SPECIFICATION

Zurn Z326 7" [178mm] or 9" [229mm] diameter indirect waste funnel features Dura-Coated cast iron body and bottom outlet.

Dimensions in inch [mm]		Approximate Weight lb [kg]
A Pipe Size	B	
2 [51]	6-3/4 [171]	8 [4]
3 [76]		8 [4]
4 [102]		31 [14]
6 [152]	8-5/8 [219]	26 [12]



PREFIXES	DESCRIPTION	A PIPE SIZE	LIST PRICE
Z326*	D.C.C.I. Body	2"	144.00
		3"	217.00
		4"	643.00
		6"	749.00
ZARB326	Plain Bronze Body	2"	398.00
		3"	593.00
		4"	1,762.00
		6"	2,057.00

OUTLETS (SPECIFY PIPE SIZE IN INCHES AND TYPE OF OUTLET)			
OUTLET TYPE	PIPE SIZE/OUTLET TYPE	E BODY HT. DIM.	ADD
IP	Threaded 2IP, 3IP	7-1/4" [184mm]	72.00
		9-7/8" [251mm]	72.00
NL	Neo-Loc 2NL, 3NL	6-5/8" [168mm]	30.00
		4NL 9" [229mm]	30.00

SUFFIXES		ADD
-AR	Acid Resisting Epoxy Coated Cast Iron	248.00
-DB	Bottom Dome Strainer	Z 67.00
-G	Galvanized Cast Iron	ZARB 135.00
		128.00

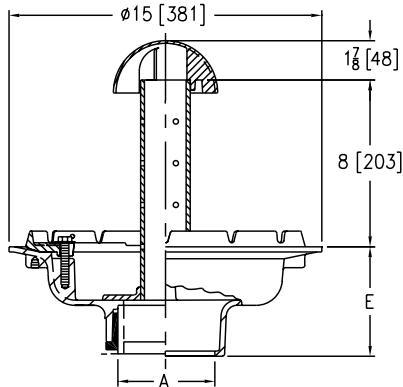
Z349 TERRACE PLANTING AREA DRAIN



ENGINEERING SPECIFICATION

Zurn Z349 terrace planting area drain features Dura-Coated cast iron body, 8" [203mm] high perforated overflow standpipe with dome, and combination membrane flashing clamp/gravel guard.

A Pipe Size inch [mm]	Approximate Weight lb [kg]
2 [51], 3 [76], 4 [102]	40 [18]
5 [127], 6 [152]	42 [19]



PREFIXES	DESCRIPTION	A PIPE SIZE	LIST PRICE
Z349*	D.C.C.I. Body with Standpipe and Dome	2", 3", 4"	648.00
		5", 6"	787.00
ZN349	D.C.C.I. Body, Clamp with Polished Nickel Bronze Standpipe and Dome	2", 3", 4"	1,216.00
		5", 6"	1,488.00

OUTLETS (SPECIFY PIPE SIZE IN INCHES AND TYPE OF OUTLET)			
OUTLET TYPE	PIPE SIZE/OUTLET TYPE	E BODY HT. DIM.	ADD
NH	No-Hub	2NH, 3NH, 4NH, 6NH	5-1/4" [133mm] N/C
NL	Neo-Loc	2NL, 3NL, 4NL	4-9/16" [116mm] 30.00
		6NL	5-7/16" [138mm] 30.00

SUFFIXES		ADD
-C	Underdeck Clamp	128.00
-G	Galvanized Cast Iron	223.00
Ⓢ-SA	Stabilizer Assembly (See Z1036)	-
-SD	Longer Standpipe For Each Additional 1" over 8" (Specify Height)	Z 111.00 ZN 176.00
-SS	Stainless Steel Mesh Screen over Standpipe	POA

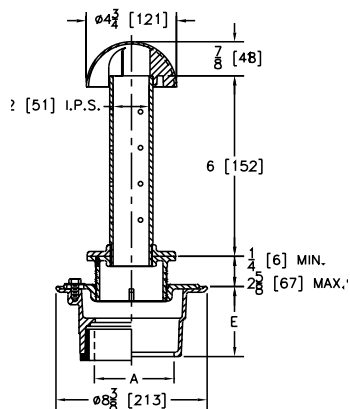
Z350 PLANTING AREA DRAIN



ENGINEERING SPECIFICATION

Zurn Z350 planting area drain features Dura-Coated cast iron body with bottom outlet and combination invertible membrane clamp, vertically adjustable nickel bronze head, floor flange, and 2" [51mm] diameter perforated standpipe and dome.

A Pipe Size inches [mm]	Approximate Weight lb [kg]
2 [51], 3 [76], 4 [102]	22 [10]



PREFIXES	DESCRIPTION	A PIPE SIZE	LIST PRICE
ZN350*	D.C.C.I. Body with Polished Stainless Steel Standpipe	2", 3", 4"	1,108.00
ZB350	D.C.C.I. Body with Polished Brass Standpipe	2", 3", 4"	1,075.00

OUTLETS (SPECIFY PIPE SIZE IN INCHES AND TYPE OF OUTLET)			
OUTLET TYPE	PIPE SIZE/OUTLET TYPE	E BODY HT. DIM.	ADD
IC	Inside Caulk	2IC, 3IC, 4IC	3-7/8" [98mm] N/C
IG	Inside Gasket	2IG, 3IG, 4IG	3-7/8" [98mm] 30.00
IP	Threaded	2IP	2-3/8" [60mm] 72.00
		3IP	2-5/8" [67mm] 72.00
		4IP	2-7/8" [73mm] 72.00
NH	No-Hub	2NH, 3NH, 4NH	3-7/8" [98mm] N/C
NL	Neo-Loc	2NL, 3NL, 4NL	3-3/4" [95mm] 30.00

SUFFIXES		ADD
-C	Underdeck Clamp	N/C
-G	Galvanized Cast Iron	128.00
-P	Trap Primer Connection (Specify 1/2" [13mm] or 3/4" [19mm])	16.00
-SD	Longer Standpipe For Each Additional 1" over 6" (Specify Height)	ZB, ZN 116.00
-PS	Solid Standpipe	N/C
-SS	Stainless Steel Mesh Screen over Dome	POA

*Regularly furnished unless otherwise specified.

Ⓢ This symbol denotes a product that is engineered to reduce installation and rework time.

For additional product information, please visit www.zurn.com

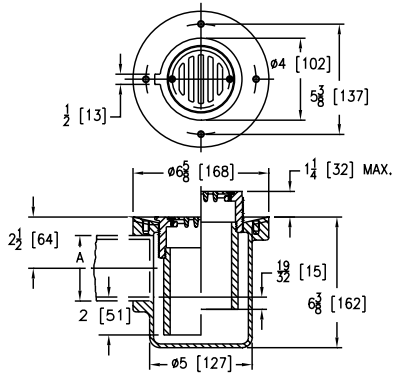
Z355 PRISON CELL FLOOR DRAIN



ENGINEERING SPECIFICATION

Zurn ZN355 prison cell floor drain features Dura-Coated cast iron body with side outlet, integral trap, anchor flange, and adjustable nickel bronze slotted strainer secured with spanner type vandal-proof screws.

A Pipe Size inches [mm]	Grate Open Area sq in [cm ²]	Approximate Weight lb [kg]
2 [51]	3-1/2 [23]	13 [6]
3 [76]		15 [7]



PREFIXES	DESCRIPTION	A PIPE SIZE	LIST PRICE
ZN355*	D.C.C.I. Body with Polished Nickel Bronze Top	2"	751.00
		3"	836.00
OUTLETS (SPECIFY PIPE SIZE IN INCHES AND TYPE OF OUTLET)			
OUTLET TYPE	PIPE SIZE/OUTLET TYPE		ADD
IP	Threaded	2IP, 3IP	N/C
SUFFIXES			ADD
-G	Galvanized Cast Iron		246.00

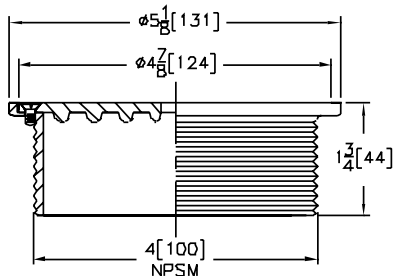
ZXN400 "TYPE A" HEAVY-DUTY NICKEL BRONZE ROUND STRAINER



ENGINEERING SPECIFICATION

Zurn ZXN400 "Type A" heavy-duty round adjustable polished nickel bronze strainer top.

Strainer Designation	Dimensions in inches [mm]		Open Area sq in [cm ²]	Approximate Weight lb [kg]
	Top Size inch [mm]	Height		
-5A	5 [127]	1-3/4 [44]	7 [45]	2 [1]
-6A	6 [152]		11 [71]	3 [1]



PREFIXES	DESCRIPTION	STRAINER DESIGNATION	LIST PRICE
ZXN400*	Heavy-duty round adjustable polished nickel bronze top	-5A	203.00
		-6A	284.00
SUFFIXES			ADD
-VP	Vandal-Proof Secured Top		30.00
-X	Squeezin Backwater Valve		66.00
-Y	Sediment Bucket (Not Available with -V)		38.00

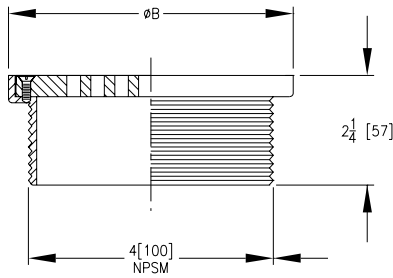
ZX400 "TYPE A" HEAVY-DUTY CAST IRON STRAINER



ENGINEERING SPECIFICATION

Zurn ZX400 "Type A" heavy-duty round adjustable Dura-Coated cast iron strainer top.

Strainer Designation	Dimensions in inches [mm]		Open Area sq in [cm ²]	Approximate Weight lb [kg]
	Top Size inch [mm]	Height		
-5A	5 [127]	2-1/4 [57]	7 [45]	3 [1]



PREFIXES	DESCRIPTION	STRAINER DESIGNATION	LIST PRICE
ZX400*	Heavy-duty round adjustable Dura-Coated cast iron strainer top	-5A	98.00

SUFFIXES	ADD	
-G	Galvanized Cast Iron Top Assembly	73.00
-VP	Vandal-Proof Secured Top	30.00
-X	Squeezin Backwater Valve	66.00
-Y	Sediment Bucket (Not Available with -V)	38.00

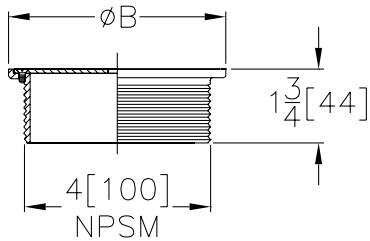
ZN400 "TYPE B" ROUND STRAINER WITH HEEL-PROOF SQUARE OPENINGS



ENGINEERING SPECIFICATION

Zurn ZN400 "Type B" round adjustable polished nickel bronze strainer top.

Strainer Designation	Dimensions in inches [mm]		Approximate Weight lb [kg]
	Size B	Height F	
-5B	5 [127]	1-3/4 [44]	1 [0.5]
-6B	6 [152]		
-7B	7 [178]		
-8B	8 [203]		



PREFIXES	DESCRIPTION	STRAINER DESIGNATION	LIST PRICE
ZN400*	Round adjustable polished nickel bronze top	-5B	138.00
		-6B	210.00
		-7B	313.00
		-8B	465.00

SUFFIXES	ADD	
-VP	Vandal-Proof Secured Top	30.00
-X	Squeezin Backwater Valve	66.00
-Y	Sediment Bucket (Not Available with -V)	38.00

*Regularly furnished unless otherwise specified.

⌚ This symbol denotes a product that is engineered to reduce installation and rework time.

For additional product information, please visit www.zurn.com

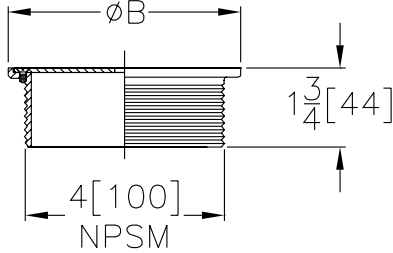
ZS400 "TYPE B" ROUND STAINLESS STEEL STRAINER



ENGINEERING SPECIFICATION

Zurn ZS400 "Type B" round adjustable polished stainless steel strainer top.

Strainer Designation	Dimensions in inches [mm]		Approximate Weight lb [kg]
	Size B	Height F	
-5B	5 [127]	1-3/4 [44]	1 [0.5]



PREFIXES	DESCRIPTION	STRAINER DESIGNATION	LIST PRICE
ZS400*	Round adjustable stainless steel top	-5B	181.00
SUFFIXES			ADD
-VP	Vandal-Proof Secured Top		30.00
-X	Squeezin Backwater Valve		66.00
-Y	Sediment Bucket (Not Available with -V)		38.00

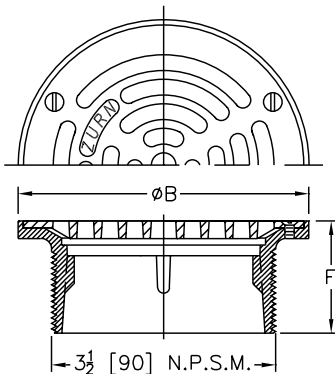
ZS400 "TYPE BS" ROUND STRAINER WITH SLOTTED OPENINGS



ENGINEERING SPECIFICATION

Zurn ZS400BS "Type BS" round adjustable medium-duty strainer top includes heel-proof slotted, secured grate.

Strainer Designation	Dimensions in inches [mm]		Open Area sq in [cm ²]	Approximate Weight lb [kg]
	Size B	Height F		
-5BS	5 [127]	2 [51]	7 [45]	1-1/2 [1/2]
-6BS	6 [152]	2-1/4 [57]	11 [71]	2-1/2 [1]
-7BS	7 [178]	2-5/8 [67]	15 [97]	3 [1]
-8BS	8 [203]		20 [129]	4-1/2 [2]
-10BS	10 [254]	3 [76]	26-1/2 [171]	8 [4]



PREFIXES	DESCRIPTION	STRAINER DESIGNATION	LIST PRICE
ZS400*	Type 304 (CF8) Stainless Steel Top	-5BS	607.00
		-6BS	792.00
		-7BS	1,065.00
		-8BS	1,119.00
		-10BS	1,363.00
ZM400	Type 316 (CF8M) Stainless Steel Top	-5BS	POA
		-6BS	POA
		-7BS	POA
		-8BS	POA
		-10BS	POA
SUFFIXES			ADD
-VP	Vandal-Proof Secured Top		30.00
-Y	Stainless Steel Sediment Bucket		41.00

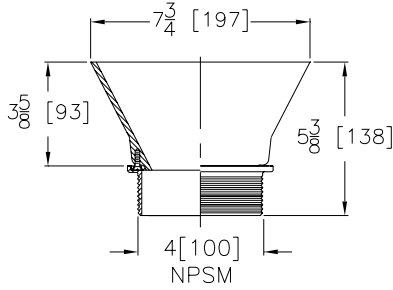
ZN400 "TYPE BF" ROUND NICKEL BRONZE STRAINER WITH OVAL FUNNEL - OPEN THROAT



ENGINEERING SPECIFICATION

Zurn ZN400 "Type BF" round adjustable polished nickel bronze strainer with nickel bronze open throat oval funnel.

Strainer Designation	Approximate Weight lb [kg]
-BF	4 [2]



PREFIXES	DESCRIPTION	STRAINER DESIGNATION	LIST PRICE
ZN400*	Round polished nickel bronze strainer with nickel bronze open throat oval funnel	-BF	395.00
Z400	Round cast iron strainer with open throat funnel	-BF	198.00
SUFFIXES		ADD	
-G	Galvanized Cast Iron Top Assembly		138.00
-VP	Vandal-Proof Secured Top		30.00
-X	Squeezin Backwater Valve		66.00
-Y	Sediment Bucket (Not Available with -V)		38.00

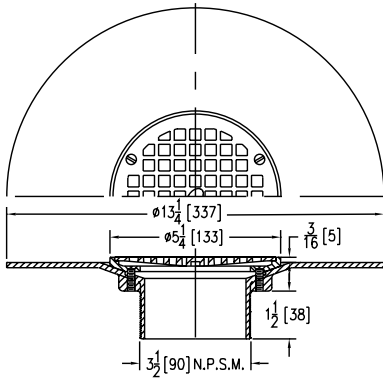
Z400 "TYPE BL" ROUND STRAINER WITH DEX-O-TEX FLANGE



ENGINEERING SPECIFICATION

Zurn Z()400BL "Type BL" round adjustable light-duty strainer features Dura-Coated cast iron 13" [330mm] diameter latex membrane flange, nickel bronze or polished bronze frame, and secured grate. (Specify ZB or ZN finish.)

Strainer Designation	Top Size inch [mm]	Open Area sq in [cm ²]	Approximate Weight lb [kg]
-5BL	5 [127]	7 [45]	5 [2]



PREFIXES	DESCRIPTION	STRAINER DESIGNATION	LIST PRICE
ZN400*	Polished Nickel Bronze Top	-5BL	650.00
ZB400	Polished Bronze Top	-5BL	634.00
SUFFIXES		ADD	
-CP	Chrome-Plated Bronze Top		42.00
-PC	Protective Cover		40.00
-VP	Vandal-Proof Secured Top		30.00
-Y	Sediment Bucket		38.00

*Regularly furnished unless otherwise specified.

⌚ This symbol denotes a product that is engineered to reduce installation and rework time.

For additional product information, please visit www.zurn.com

⌚ Z400 "TYPE BZ" ROUND LEVELING STRAINER WITH SQUARE OPENINGS

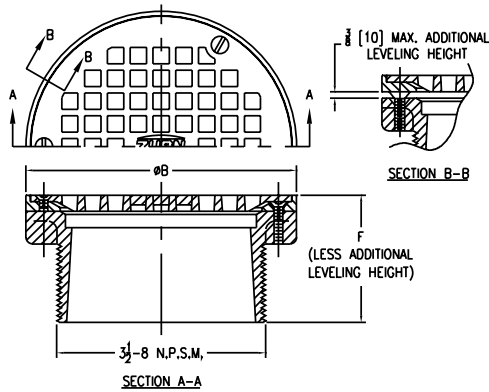


Patented

ENGINEERING SPECIFICATION

Zurn Z()400BZ "Type BZ" round adjustable light-duty leveling strainer top includes stainless steel leveling screws, square heel-proof openings, secured grate, and cast iron threaded head. (Specify ZB or ZN finish) 360° leveling frame design shall provide a maximum flat adjustment height of 3/8" [10mm] and a maximum slope adjustment of 7/8" [22mm] per foot.

Strainer Designation	Dimensions in inches [mm]		Open Area sq in [cm ²]	Approximate Weight lb [kg]
	Size B	Height F		
-5BZ	5-3/16 [132]	2-7/16 [62]	8 [52]	2 [1]
-6BZ	6-1/4 [159]	2-19/32 [66]	9 [58]	3 [1]



PREFIXES	DESCRIPTION	STRAINER DESIGNATION	LIST PRICE
ZN400*	Polished Nickel Bronze Top	-5BZ	292.00
		-6BZ	324.00
ZB400	Polished Bronze Top	-5BZ	313.00
		-6BZ	393.00
SUFFIXES			ADD
-CP	Chrome-Plated Bronze Top		20.00
-DP	Decorative Polished Top		132.00
⌚ -PC	Protective Cover		40.00
-V	Backwater Valve (Not Available with -Y)		266.00
-VP	Vandal-Proof Secured Top		30.00
-Y	Sediment Bucket (Not Available with -Y)		38.00

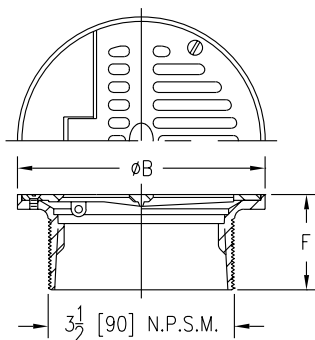
Z400 "TYPE C" ROUND HINGED STRAINER



ENGINEERING SPECIFICATION

Zurn Z()400C "Type C" round adjustable light-duty strainer top includes slotted heel-proof openings and hinged grate. (Specify ZB or ZN finish.)

Strainer Designation	Dimensions in inches [mm]		Open Area sq in [cm ²]	Approximate Weight lb [kg]
	Size B	Height F		
-5C	5 [127]	2 [51]	8 [52]	2 [1]
-6C	6 [152]	2-1/4 [57]	9 [58]	3 [1]
-7C	7 [178]	2-5/8 [67]	13 [84]	4 [2]
-8C	8 [203]		18 [116]	5 [2]



PREFIXES	DESCRIPTION	STRAINER DESIGNATION	LIST PRICE
ZN400*	Polished Nickel Bronze Top	-5C	444.00
		-6C	496.00
		-7C	614.00
		-8C	674.00
ZB400	Polished Bronze Top	-5C	419.00
		-6C	470.00
		-7C	582.00
		-8C	639.00
SUFFIXES			ADD
-CP	Chrome-Plated Bronze Top		42.00
⌚ -PC	Protective Cover		40.00
-V	Backwater Valve (Not Available with -Y)		334.00
-VP	Vandal-Proof Secured Top		30.00
-Y	Sediment Bucket (Not Available with -Y)		38.00

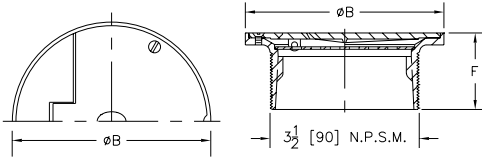
Z400 "TYPE D" ROUND STRAINER WITH SOLID HINGED COVER



ENGINEERING SPECIFICATION

Zurn Z()400D "Type D" round adjustable light-duty strainer top includes solid hinged cover and secondary strainer. (Specify ZB or ZN finish.)

Strainer Designation	Dimensions in inches [mm]		Open Area sq in [cm ²]	Approximate Weight lb [kg]
	Size B	Height F		
-5D	5 [127]	2 [51]	8 [52]	3 [1]
-6D	6 [152]	2-1/4 [57]	9 [58]	4 [2]
-7D	7 [178]	2-5/8 [67]	13 [84]	5 [2]
-8D	8 [203]		18 [116]	6 [3]



PREFIXES	DESCRIPTION	STRAINER DESIGNATION	LIST PRICE
ZN400*	Polished Nickel Bronze Top	-5D	415.00
		-6D	713.00
		-7D	1,077.00
		-8D	1,095.00
ZB400	Polished Bronze Top	-5D	395.00
		-6D	676.00
		-7D	1,023.00
		-8D	1,038.00
SUFFIXES			ADD
⌚	-PC	Protective Cover	40.00
	-V	Backwater Valve (Not Available with -Y)	334.00
	-VP	Vandal-Proof Secured Top	30.00
	-Y	Sediment Bucket (Not Available with -Y)	38.00

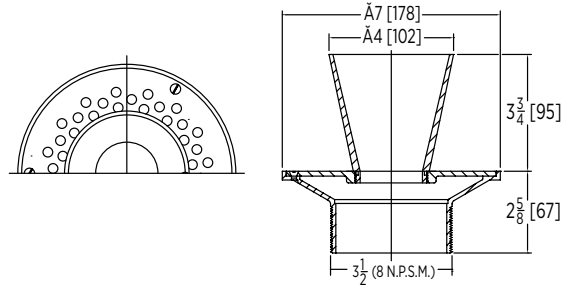
Z400 "TYPE E" ROUND STRAINER WITH INTEGRAL FUNNEL



ENGINEERING SPECIFICATION

Zurn Z()400E "Type E" round adjustable strainer top includes combination funnel/grate with perimeter openings. (Specify ZB or ZN finish.)

Strainer Designation	Top Size inch [mm]	Open Area sq in [cm ²]	Approximate Weight lb [kg]
-7E	7 [178]	5 [32]	10 [5]



PREFIXES	DESCRIPTION	STRAINER DESIGNATION	LIST PRICE
ZN400*	Polished Nickel Bronze Top	-7E	747.00
ZB400	Polished Bronze Top	-7E	690.00

SUFFIXES	ADD	
-V	Backwater Valve (Not Available with -Y)	298.00
-VP	Vandal-Proof Secured Top	42.00
-Y	Sediment Bucket (Not Available with -Y)	86.00

*Regularly furnished unless otherwise specified.

⌚ This symbol denotes a product that is engineered to reduce installation and rework time.

For additional product information, please visit www.zurn.com

Z400 "TYPE G" ROUND STRAINER WITH DOME

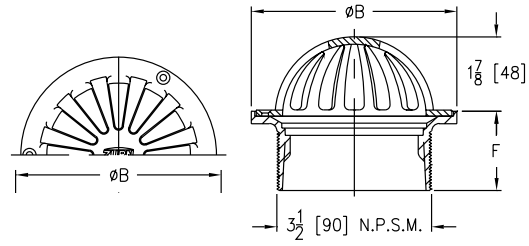


ENGINEERING SPECIFICATION

Zurn Z()400G "Type G" round adjustable strainer top includes secured slotted dome strainer. (Specify ZB or ZN finish.)

Strainer Designation	Dimensions in inches [mm]		Open Area sq in [cm ²]	Approximate Weight lb [kg]
	Size B	Height F		
-5G	5 [127]	2 [51]	15 [97]	2 [1]
-6G	6 [152]	2-1/4 [57]		4 [2]

PREFIXES	DESCRIPTION	STRAINER DESIGNATION	LIST PRICE
ZN400*	Polished Nickel Bronze Top	-5G	219.00
		-6G	268.00
ZB400	Polished Bronze Top	-5G	173.00
		-6G	213.00



SUFFIXES	ADD
-SS	Stainless Mesh Screen Over Dome 224.00
-V	Backwater Valve (Not Available with -Y) 334.00
-VP	Vandal-Proof Secured Top 30.00
-Y	Sediment Bucket (Not Available with -V) 38.00

ZXN400 "TYPE H" HEAVY-DUTY SQUARE ADJUSTABLE STRAINER



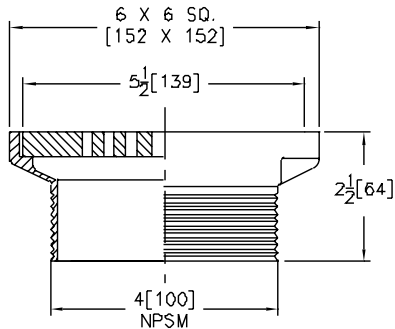
ENGINEERING SPECIFICATION

Zurn ZXN400 "Type H" heavy-duty square polished nickel bronze adjustable strainer top.

Strainer Designation	B Top Size Inches [mm]	Open Area sq in [cm ²]	Approximate Weight lb [kg]
-6H	6 x 6 [152 x 152]	12 [77]	4 [2]

PREFIXES	DESCRIPTION	STRAINER DESIGNATION	LIST PRICE
ZXN400*	Heavy-Duty Square Polished Nickel Bronze Top	-6H	325.00

SUFFIXES	ADD
-VP	Vandal-Proof Secured Top 30.00
-X	Squeezin Backwater Valve 66.00
-Y	Sediment Bucket 38.00



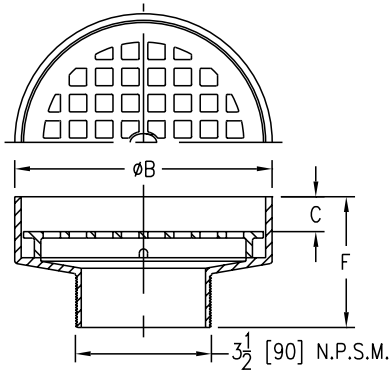
Z400 "TYPE I" ROUND STRAINER WITH RAISED LIP



ENGINEERING SPECIFICATION

Zurn Z()400I "Type I" round adjustable strainer top includes loose set recessed grate. (Specify ZB or ZN finish.)

Strainer Designation	Dimensions in inches [mm]			Open Area sq in [cm ²]	Approximate Weight lb [kg]
	Size B	C	Height F		
-5I	5-7/16 [138]	7/8 [22]	3 [76]	8 [52]	5 [2]
-7I	7-3/8 [187]	1 [25]	3-3/4 [95]	13 [84]	10 [5]
-9I	9 [229]	1/2 [13]	3-1/2 [89]	23 [148]	14 [6]



PREFIXES	DESCRIPTION	STRAINER DESIGNATION	LIST PRICE
ZN400*	Polished Nickel Bronze Top	-5I	469.00
		-7I	582.00
		-9I	790.00
ZB400	Polished Bronze Top	-5I	445.00
		-7I	555.00
		-9I	751.00
SUFFIXES			ADD
-TS	Top Secured with Slotted Screws		42.00
-V	Backwater Valve (Not Available with -Y)		334.00
-VP	Vandal-Proof Secured Top		30.00
-Y	Sediment Bucket (Not Available with -V)		38.00

*Regularly furnished unless otherwise specified.

⌚ This symbol denotes a product that is engineered to reduce installation and rework time.

For additional product information, please visit www.zurn.com

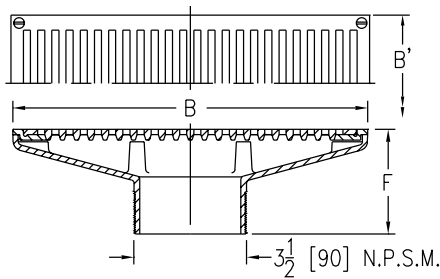
Z400 "TYPE J" RECTANGULAR STRAINER WITH HEEL-PROOF SLOTTED OPENINGS



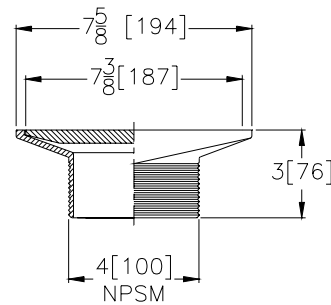
ENGINEERING SPECIFICATION

Zurn Z()400J "TYPE J" rectangular adjustable light-duty heel-proof strainer top with Dura-Coated cast iron head, polished frame and secured slotted grate. (Specify ZB or ZN finish.)

Strainer Designation	Dimensions in inches [mm]			Open Area sq in [cm ²]	Approximate Weight lb [kg]
	Size A	Size B x B	Height F		
-8J	3-1/2 [90]	4-1/2 [114] x 8 [203]	3 [76]	12 [77]	4 [2]
-8JC	4 [102]	4-1/2 [114] x 8 [203]			
-9J	3-1/2 [90]	5 [127] x 9 [229]	4-7/8 [124]	20 [129]	9 [4]
-13J		5-1/2 [140] x 13 [330]			
-17J		5 [127] x 17 [432]	3-1/2 [89]	29 [187]	14 [6]
-21J		5 [127] x 21 [533]	3-5/8 [92]	32 [206]	18 [8]
-20J		10 [254] x 20 [508]		66 [426]	34 [15]



PREFIXES	DESCRIPTION	STRAINER DESIGNATION	LIST PRICE
ZN400*	Polished Nickel Bronze Top	-8J	414.00
		-8JC	414.00
		-9J	414.00
		-13J	450.00
		-17J	973.00
		-21J	1,506.00
		-20J	3,044.00
ZB400	Polished Bronze Top	-8J	395.00
		-8JC	N/A
		-9J	395.00
		-13J	430.00
		-17J	923.00
		-21J	1,433.00
		-20J	2,892.00
SUFFIXES			ADD
-VP	Vandal-Proof Secured Top		30.00
-X	Squeezin Backwater Valve		66.00
-Y	Sediment Bucket (Not Available with -V)		38.00



-8JC Strainer Designation

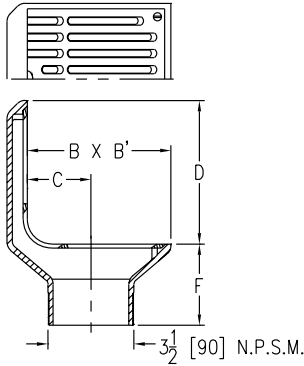
Z400 "TYPE K" ANGULAR STRAINER



ENGINEERING SPECIFICATION

Zurn Z()400K "Type K" angular adjustable light-duty strainer top includes secured flush type angle grate. (Specify ZB or ZN finish.)

Strainer Designation	Dimensions in inches [mm]				Open Area sq in [cm ²]	Approximate Weight lb [kg]
	Size B' x B	C	D	Height F		
-5K	3-3/4 [95] x 5 [127]	1-7/32 [31]	3-3/4 [95]	2-3/8 [60]	11 [71]	9 [4]
-7K	6-5/8 [168] x 7 [178]	2-15/46 [59]	6-5/8 [168]	3-3/4 [95]	29 [187]	16 [7]



PREFIXES	DESCRIPTION	STRAINER DESIGNATION	LIST PRICE
ZN400*	Polished Nickel Bronze Top	-5K	512.00
		-7K	804.00
ZB400	Polished Bronze Top	-5K	483.00
		-7K	764.00
SUFFIXES			ADD
-V	Backwater Valve (Not Available with -Y)		334.00
-VP	Vandal-Proof Secured Top		30.00
-Y	Sediment Bucket (Not Available with -V)		86.00

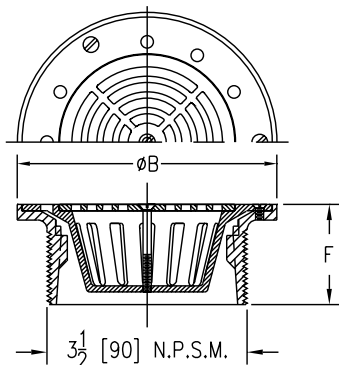
Z400 "TYPE M" ROUND STRAINER WITH SLOTTED OPENINGS AND SUR-SET BUCKET



ENGINEERING SPECIFICATION

Zurn Z()400M "Type M" round adjustable light-duty strainer top includes slotted heel-proof openings, secured grate, and Sur-Set bucket. (Specify ZB or ZN finish.)

Strainer Designation	Dimensions in inches [mm]		Open Area sq in [cm ²]	Approximate Weight lb [kg]
	Size B	Height F		
-5M	5 [127]	2 [51]	4-1/2 [29]	2 [1]



PREFIXES	DESCRIPTION	STRAINER DESIGNATION	LIST PRICE
ZN400*	Polished Nickel Bronze Top	-5M	866.00
		ZB400	Polished Bronze Top
SUFFIXES			ADD
⌚ -PC	Protective Cover		40.00
⌚ -VP	Vandal-Proof Secured Top		30.00

*Regularly furnished unless otherwise specified.

⌚ This symbol denotes a product that is engineered to reduce installation and rework time.

For additional product information, please visit www.zurn.com

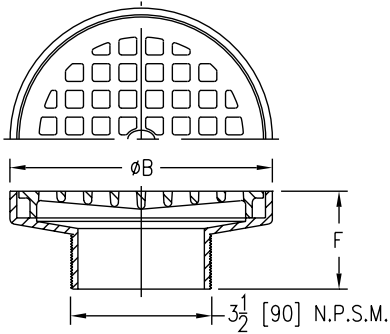
Z400 "TYPE N" ROUND STRAINER WITH DEEP FLANGED GRATE



ENGINEERING SPECIFICATION

Zurn Z()400N "Type N" round adjustable light-duty strainer top includes loose set deep flanged grate. (Specify Z, ZB or ZN finish.)

Strainer Designation	Dimensions in inches [mm]		Open Area sq in [cm ²]	Approximate Weight lb [kg]
	Size B	Height F		
-7N	7 [178]	2-3/4 [70]	12 [77]	8 [4]
-9N	9 [229]	3 [76]	23 [148]	12 [5]



PREFIXES	DESCRIPTION	STRAINER DESIGNATION	LIST PRICE
ZN400*	Polished Nickel Bronze Top	-7N	519.00
		-9N	777.00
Z400	Dura-Coated Cast Iron Top	-7N	129.00
		-9N	191.00
ZB400	Polished Bronze Top	-7N	492.00
		-9N	737.00
SUFFIXES			ADD
-DG	Ductile Grate	7" [178mm]	98.00
		9" [229mm]	124.00
-G	Galvanized Cast Iron Top		185.00
-TS	Top Secured with Slotted Screws		30.00
-V	Backwater Valve (Not Available with -Y)		334.00
-VP	Vandal-Proof Secured Top		30.00
-Y	Sediment Bucket (Not Available with -V)		38.00

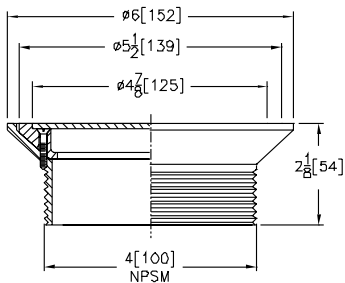
ZN400 "TYPE R" CIRCULAR ADJUSTABLE STRAINER WITH SURFACE CLAMP RING AND GRATE



ENGINEERING SPECIFICATION

Zurn ZN400 "Type R" nickel bronze circular adjustable strainer with surface clamp ring and grate.

Strainer Designation	Dimensions in inches [mm]		Open Area sq in [cm ²]	Approximate Weight lb [kg]
	Size B	Height F		
-6R	6 [152]	2-1/8 [54]	8 [52]	3 [1]



PREFIXES	DESCRIPTION	STRAINER DESIGNATION	LIST PRICE
ZN400*	Polished Nickel Bronze Top	-6R	381.00
SUFFIXES			ADD
-ST	Solid Top (6" [152mm] Only)		131.00
-VP	Vandal-Proof Secured Top		30.00
-Y	Sediment Bucket		38.00

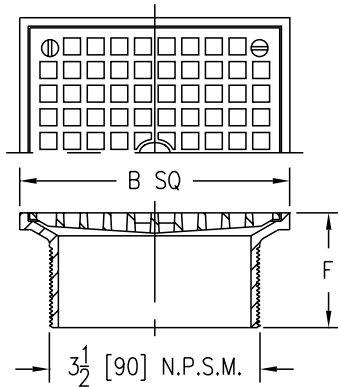
Z400 "TYPE S" SQUARE STRAINER



ENGINEERING SPECIFICATION

Zurn Z()400S "Type S" square adjustable light-duty strainer top includes secured heel-proof grate. (Specify ZB or ZN finish.)

Strainer Designation	Dimensions in inches [mm]		Open Area sq in [cm ²]	Approximate Weight lb [kg]
	Size B	Height F		
-5S	5 x 5 [127]	2 [51]	9 [58]	3 [1]
-6S	6 x 6 [152]	2-1/4 [57]	13 [84]	4 [2]
-7S	7 x 7 [178]		21 [135]	5 [2]
-8S	8 x 8 [203]		6 [3]	
-10S	10 x 10 [254]	3 [76]	28 [181]	12 [5]



PREFIXES	DESCRIPTION	STRAINER DESIGNATION	LIST PRICE
ZN400*	Polished Nickel Bronze Top	-5S	354.00
		-6S	413.00
		-7S	528.00
		-8S	668.00
		-10S	1,150.00
ZB400	Polished Bronze Top	-5S	313.00
		-6S	384.00
		-7S	482.00
		-8S	592.00
		-10S	1,063.00
SUFFIXES			ADD
-CP	Chrome-Plated Bronze Top		20.00
⌚ -HD	Heavy-Duty Slotted Grate (ZN 6" x 6" [152mm x 152mm] only with 4" [102mm] shank)		160.00
⌚ -PC	Protective Cover		40.00
-V	Backwater Valve (Not Available with -Y)		266.00
-VP	Vandal-Proof Secured Top		30.00
-Y	Sediment Bucket (Not Available with -V)		38.00

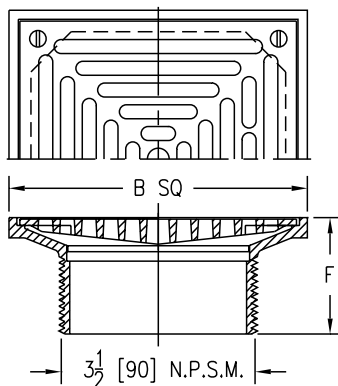
ZS400 "TYPE SS" SQUARE STRAINER



ENGINEERING SPECIFICATION

Zurn ZS400SS "Type SS" square adjustable strainer top includes heel-proof, medium-duty grate.

Strainer Designation	Dimensions in inches [mm]		Open Area sq in [cm ²]	Approximate Weight lb [kg]
	Size B	Height F		
-5SS	5 x 5 [127]	2 [51]	8-1/2 [55]	2-1/2 [1]
-6SS	6 x 6 [152]	2-1/4 [57]	13 [84]	3-1/2 [2]
-8SS	8 x 8 [203]		24-1/2 [158]	6-1/2 [3]



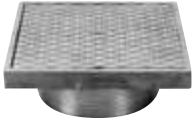
PREFIXES	DESCRIPTION	STRAINER DESIGNATION	LIST PRICE
ZS400*	Type 304 (CF8) Stainless Steel Top	-5SS	299.00
		-6SS	311.00
		-8SS	711.00
ZM400	Type 316 (CF8M) Stainless Steel Top	-5SS	POA
		-6SS	POA
		-8SS	POA
SUFFIXES			ADD
-VP	Vandal-Proof Secured Top		30.00
-Y	Stainless Steel Sediment Bucket		38.00

*Regularly furnished unless otherwise specified.

⌚ This symbol denotes a product that is engineered to reduce installation and rework time.

For additional product information, please visit www.zurn.com

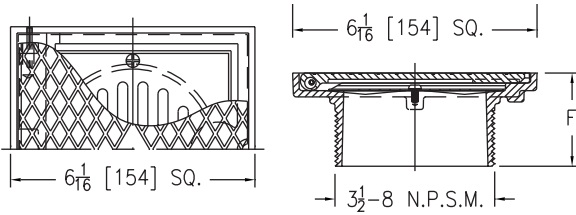
Z400 "TYPE SC" SQUARE STRAINER WITH SOLID HINGED COVER



ENGINEERING SPECIFICATION

Zurn Z()400SC "Type SC" square adjustable strainer top includes secondary strainer and solid, scoriated, hinged, light-duty cover. (Specify ZB or ZN finish).

Strainer Designation	Dimensions in inches [mm]		Approximate Weight lb [kg]
	Size B	Height F	
-6SC	6 [152]	2-15/16 [75]	7 [3]



PREFIXES	DESCRIPTION	STRAINER DESIGNATION	LIST PRICE
ZN400*	Polished Nickel Bronze Top	-6SC	825.00
ZB400	Polished Bronze Top	-6SC	702.00
SUFFIXES			ADD
-CP	Chrome-Plated		233.00
-GC	Gasketed Cover		52.00
-LR	Lift Ring		174.00
-TS	Top Secured with Slotted Screw		42.00
-VP	Vandal-Proof Secured Top		42.00
-Y	Sediment Bucket		86.00

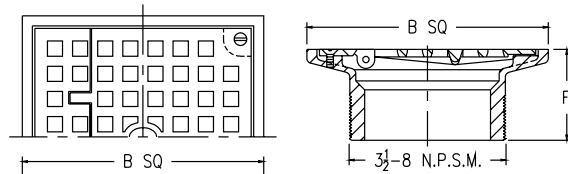
Z400 "TYPE SH" SQUARE HINGED STRAINER



ENGINEERING SPECIFICATION

Zurn Z()400SH "Type SH" square adjustable strainer top includes light-duty hinged grate. (Specify ZB or ZN finish.)

Strainer Designation	Dimensions in inches [mm]		Open Area sq in [cm ²]	Approximate Weight lb [kg]
	Size B	Height F		
-6SH	6 x 6 [152]	2-1/4 [57]	12 [77]	4 [2]
-8SH	8 x 8 [203]	3 [76]	21 [135]	8 [4]



PREFIXES	DESCRIPTION	STRAINER DESIGNATION	LIST PRICE
ZN400*	Polished Nickel Bronze Top	-6SH	628.00
		-8SH	879.00
ZB400	Polished Bronze Top	-6SH	600.00
		-8SH	805.00
SUFFIXES			ADD
-V	Backwater Valve (Not Available with -Y)		266.00
-VP	Vandal-Proof Secured Top		30.00
-Y	Sediment Bucket (Not Available with -V)		38.00

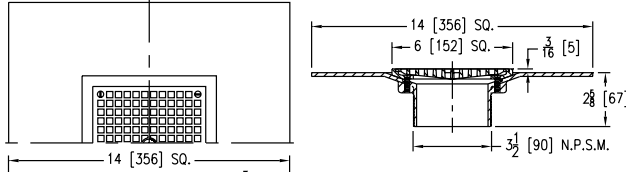
Z400 "TYPE SL" SQUARE STRAINER WITH DEX-O-TEX FLANGE



ENGINEERING SPECIFICATION

Zurn Z()400SL "Type SL" square adjustable strainer top features Dura-Coated cast iron head with 14" square latex membrane flange, complete with polished bronze frame and secured, light-duty, heel-proof grate. (Specify ZB or ZN finish.)

Strainer Designation	Top Size inch [mm]	Open Area sq in [cm ²]	Approximate Weight lb [kg]
-6SL	6 x 6 [152]	14 [90]	12 [5]



PREFIXES	DESCRIPTION	STRAINER DESIGNATION	LIST PRICE
ZN400*	Polished Nickel Bronze Top	-6SL	892.00
ZB400	Polished Bronze Top	-6SL	864.00
SUFFIXES			ADD
-CP	Chrome-Plated Bronze Top		20.00
-PC	Protective Cover		40.00
-VP	Vandal-Proof Secured Top		30.00
-Y	Sediment Bucket		38.00

Z400 "TYPE SZ" SQUARE LEVELING STRAINER WITH SLOTTED OPENINGS



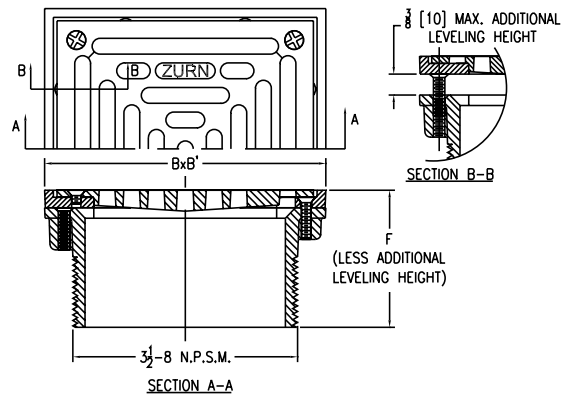
Patented

ENGINEERING SPECIFICATION

Zurn Z()400SZ "Type SZ" square adjustable light-duty leveling strainer top includes stainless steel leveling screws, slotted heel-proof openings, secured grate, and cast iron threaded head. (Specify ZB, ZN or ZS finish.) Leveling frame design shall provide a maximum flat adjustment height of 3/8" [10mm] and a maximum slope adjustment of 7/8" [22mm] per foot across flat sides of the frame.

Strainer Designation	Dimensions in inches [mm]		Open Area sq in [cm ²]	Approximate Weight lb [kg]
	Size B x B	Height F		
-5SZ	5 x 5 [127]	2-7/16 [62]	8 [52]	3 [1]
-6SZ	6 x 6 [152]		12 [77]	4 [2]

PREFIXES	DESCRIPTION	STRAINER DESIGNATION	LIST PRICE
ZN400*	Polished Nickel Bronze Top	-5SZ	417.00
		-6SZ	450.00
ZB400	Polished Bronze Top	-5SZ	439.00
		-6SZ	511.00
ZS400	Polished Type 304 (CF8) Stainless Steel Top	-5SZ	POA
		-6SZ	POA
SUFFIXES			ADD
-CP	Chrome-Plated Bronze Top		20.00
-DP	Decorative Polished Top		134.00
-PC	Protective Cover		40.00
-V	Backwater Valve (Not Available with -Y)		266.00
-VP	Vandal-Proof Secured Top		30.00
-Y	Sediment Bucket (Not Available with -V)		38.00



*Regularly furnished unless otherwise specified.

⌚ This symbol denotes a product that is engineered to reduce installation and rework time.

For additional product information, please visit www.zurn.com

🕒 Z400-SR FLOOR DRAIN STABILIZER RING



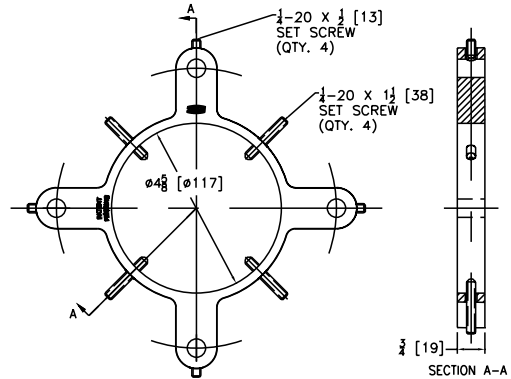
Patented

ENGINEERING SPECIFICATION

Zurn Z400-SR floor drain stabilizer ring features Dura-Coated cast iron ring with four 1/4"-20 x 1-1/2" [38mm] securing screws, four 1/4"-20 x 1-1/2" [38mm] securing screws, and four 3/8"-16 x 7" [178mm] long threaded rods. Stabilizer ring is designed to accommodate 2" [51mm], 3" [76mm], and 4" [102mm] pipe and used with 8-3/8" [213mm] diameter (Z415) drain body.

A Pipe Size inches [mm]	Approximate Weight lb [kg]
2 [51], 3 [76], 4 [102]	3 [1]

PREFIXES	DESCRIPTION	A PIPE SIZE	LIST PRICE
Z400-SR*	Stabilizer Ring	2", 3", 4"	50.00



Z400-U ADJUSTABLE STRAINER EXTENSION

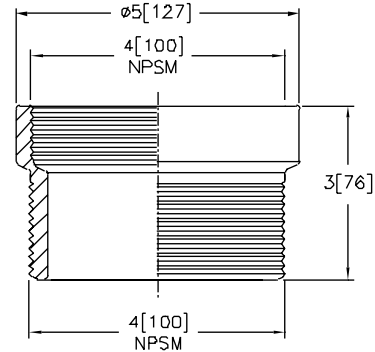


ENGINEERING SPECIFICATION

Zurn Z400-U "Type U" adjustable strainer extension is used as a drain extension, but also as a hub drain.

Product Designation	Size inch [mm]	Approximate Weight lb [kg]
-U	4 [102]	2 [1]

PREFIXES	DESCRIPTION	A PIPE SIZE	LIST PRICE
Z400-U*	D.C.C.I.	3-1/2"	73.00
ZN400-U	Cast Nickel Bronze Body	3-1/2"	406.00
SUFFIXES			ADD
-G	Galvanized Cast Iron		75.00



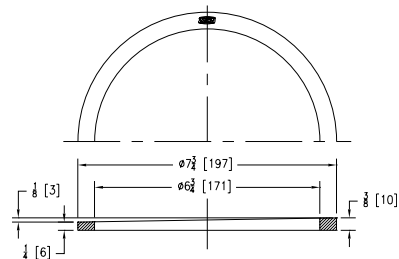
🕒 Z400-18 LEVELING RING



ENGINEERING SPECIFICATION

Zurn Z400-18 with Dura-Coated cast iron tapered ring can level Z415 clamp collar for 1/8" [3mm] out-of-level conditions.

PREFIXES	DESCRIPTION	LIST PRICE
Z400-18*	Leveling Ring	27.00



Z400 "TYPE Y" SQUARE STRAINER

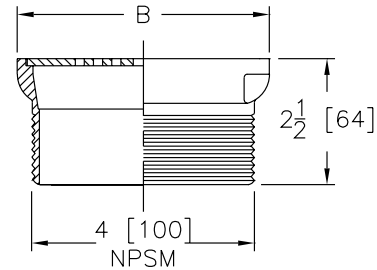


ENGINEERING SPECIFICATION

Zurn Z400 "Type Y" square adjustable strainer top.

Strainer Designation	Dimensions in inches [mm]		Open Area sq in [cm ²]	Approximate Weight lb [kg]
	Size B	Height F		
-5Y	5 x 5 [127 x 127]	2-1/2 [64mm]	9 [58]	2 [1]
-6Y	6 x 6 [152 x 152]		12 [77]	

PREFIXES	DESCRIPTION	STRAINER DESIGNATION	LIST PRICE
ZN400	Polished Nickel Bronze Top	-5Y	288.00
		-6Y	325.00
SUFFIXES			ADD
-VP	Vandal-Proof Secured Top		30.00
-Y	Sediment Bucket		38.00



ZSS400 "TYPE Y" SQUARE STAINLESS STEEL STRAINER

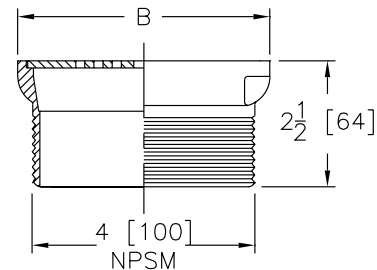


ENGINEERING SPECIFICATION

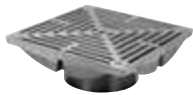
Zurn ZSS400 "Type Y" square adjustable stainless steel strainer top.

Strainer Designation	Dimensions in inches [mm]		Open Area sq in [cm ²]	Approximate Weight lb [kg]
	Size B	Height F		
-5Y	5 x 5 [127 x 127]	2-1/2 [64mm]	9 [58]	2 [1]

PREFIXES	DESCRIPTION	STRAINER DESIGNATION	LIST PRICE
ZSS400*	Stainless Steel Top	-5Y	333.00
SUFFIXES			ADD
-VP	Vandal-Proof Secured Top		30.00
-Y	Sediment Bucket		38.00



ZXN400 "TYPE Y" HEAVY-DUTY SQUARE ADJUSTABLE STRAINER

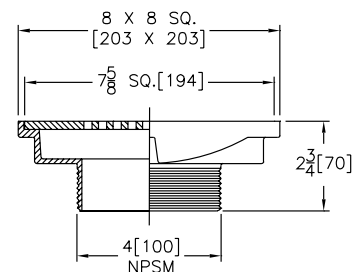


ENGINEERING SPECIFICATION

Zurn ZXN400 "Type Y" heavy-duty square 8" x 8" [203mm x 203mm] adjustable polished nickel bronze strainer top.

Strainer Designation	Dimensions in inches [mm]		Open Area sq in [cm ²]	Approximate Weight lb [kg]
	Size B	Height F		
-8Y	8 x 8 [203 x 203]	2-3/4 [70]	26 [168]	6 [3]

PREFIXES	DESCRIPTION	STRAINER DESIGNATION	LIST PRICE
ZX400	Cast Iron Top	-8Y	210.00
ZXN400	Polished Nickel Bronze Top	-8Y	599.00
SUFFIXES			ADD
-G	Galvanized (ZX Only)		73.00
-VP	Vandal-Proof Secured Top		30.00
-Y	Sediment Bucket		38.00



*Regularly furnished unless otherwise specified.

⌚ This symbol denotes a product that is engineered to reduce installation and rework time.

For additional product information, please visit www.zurn.com

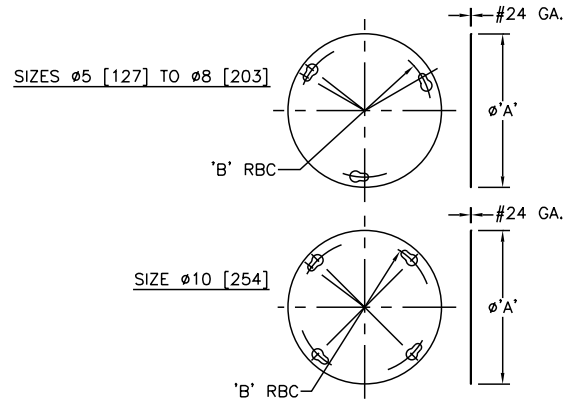
🕒 ZC400B-DC ROUND FLOOR DRAIN DEBRIS COVER

ENGINEERING SPECIFICATION

Zurn ZC400B-DC Floor Drain Debris Cover. Galvanized carbon steel plate with slotted screw holes to allow rotational assembly and removal without disengaging the strainer screws. Designed for use with standard ZB and ZN400 'Type B' strainer assemblies.

Product Designation	No. of Screw Slots	Diameter A inch [mm]	B RBC inch [mm]
-5	3	5-3/16 [132]	2-1/4 [57]
-6		6-3/16 [157]	2-3/4 [70]
-7		7 [178]	3-1/8 [79]
-8		8 [203]	3-5/8 [92]
-10	4	9-5/8 [244]	4-1/8 [104]

PREFIXES	DESCRIPTION	PRODUCT DESIGNATION	LIST PRICE
ZC400B-DC	Floor Drain Protective Cover	-5, -6, -7, -8, -10	40.00



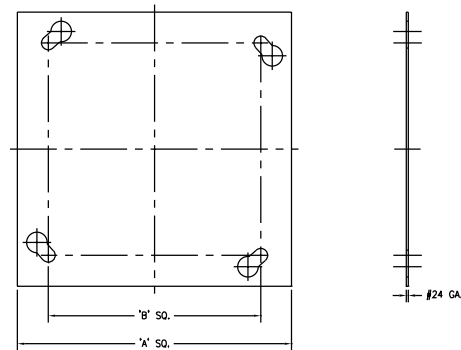
🕒 ZC400S-DC SQUARE FLOOR DRAIN DEBRIS COVER

ENGINEERING SPECIFICATION

Zurn ZC400S-DC Floor Drain Debris Cover. Galvanized carbon steel plate with slotted screw holes to allow rotational assembly and removal without disengaging the strainer screws. Designed for use with standard ZB and ZN400 'Type S' strainer assemblies.

Product Designation	No. of Screw Slots	Diameter A inch [mm]	B RBC inch [mm]
-5	4	5 [127]	3-7/8 [98]
-6		6 [152]	4-7/8 [124]
-7		7 [178]	6 [152]
-8		8 [203]	7-1/8 [181]
-9		9 [229]	
-10		10 [254]	

PREFIXES	DESCRIPTION	PRODUCT DESIGNATION	LIST PRICE
ZC400S-DC	Floor Drain Protective Cover	-5, -6, -7, -8, -10	40.00



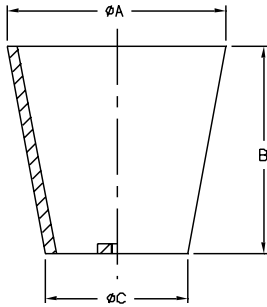
Z414 4" [102 MM] ROUND FUNNEL



ENGINEERING SPECIFICATION

Zurn Z414 4" [102mm] Round Funnel. 4" [102mm] or 6" [152mm] (specify) diameter funnel converting assembly, Dura-Coated cast iron (or nickel bronze), with necessary fasteners to secure funnel to strainer. Note: For Stainless Steel, see Z1724

Size	Open Area Inches [mm]
-4	4 [102]
-6	6 [152]



PREFIXES	DESCRIPTION	PRODUCT DESIGNATION	LIST PRICE
Z414*	D.C.C.I. Funnel	-4	87.00
		-6	87.00
ZN414	Polished Nickel Bronze Funnel	-4	179.00
		-6	179.00
SUFFIXES			ADD
-G	Galvanized		75.00

Z414-1 3-1/2" X 9" [89 MM X 229 MM] OVAL FUNNEL



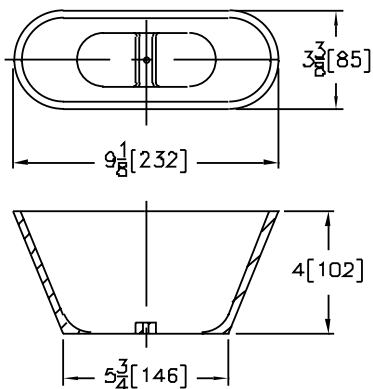
ENGINEERING SPECIFICATION

Zurn Z414-1 3-1/2" [89mm] x 9" [229mm] Oval Funnel. 3-1/2" x 9" [89mm x 229mm] diameter funnel converting assembly, Dura-Coated cast iron (or nickel bronze), with necessary fasteners to secure funnel to strainer. (Available on 6" [152mm] diameter or larger size drain tops only.)

NOTES

For stainless steel, see Z1725.

Approximate Weight lb [kg]	Open Area Inches [mm]
3 [1]	3-1/2 x 9 [89 x 229]



PREFIXES	DESCRIPTION	LIST PRICE
Z414-1*	D.C.C.I. Funnel	117.00
ZN414-1	Polished Nickel Bronze Funnel	244.00
SUFFIXES		ADD
-G	Galvanized	75.00

*Regularly furnished unless otherwise specified.

⌚ This symbol denotes a product that is engineered to reduce installation and rework time.

For additional product information, please visit www.zurn.com

Z415 FLOOR DRAIN BODY WITH CLAMPING COLLAR

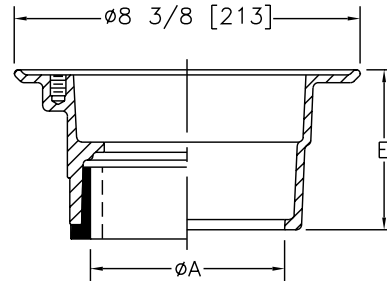


ENGINEERING SPECIFICATION

Zurn Z415 cast iron body with bottom outlet, combination invertible membrane clamp and adjustable collar with seepage holes. For use with Z400 Strainer Series.

A Pipe Size	Approximate Weight lb [kg]
2 [51], 3 [76], 4 [102]	8 [4]
6 [152]	10 [5]

PREFIXES	DESCRIPTION	STRAINER DESIG.	PIPE SIZE	LIST PRICE
Z415	D.C.C.I. Body Assembly ONLY (add "-L/Top" to product sku)	No Strainer	2", 3", 4" 6"	117.00 334.00
OUTLETS (SPECIFY PIPE SIZE IN INCHES AND TYPE OF OUTLET)				
OUTLET TYPE	PIPE SIZE/OUTLET TYPE	E BODY HT. DIM.	ADD	
IC	Inside Caulk	2IC, 3IC, 4IC	3-7/8" [98mm]	N/C
IG	Inside Gasket	2IG	3-7/8" [98mm]	30.00
IP	Threaded	2IP, 3IP, 4IP, 6IP	2-5/8" [67mm]	72.00
NH	No-Hub	2NH, 3NH, 4NH	3-7/8" [98mm]	N/C
		6NH (6IP with Z1040)	5-1/2" [140mm]	263.00
NL	Neo-Loc	2NL, 3NL, 4NL	4-5/8" [117mm]	30.00



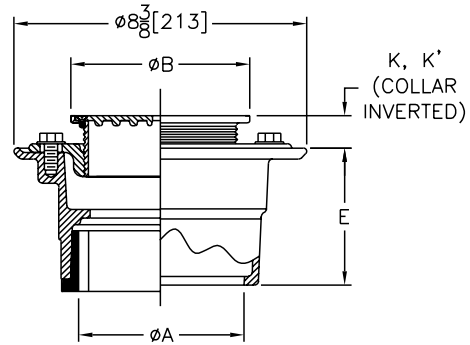
SUFFIXES	ADD
-AR	Acid Resisting Epoxy Coated Cast Iron 248.00
-G	Galvanized Cast Iron 128.00
-P	Trap Primer Connection (Specify 1/2" [13mm] or 3/4" [19mm]) 16.00
Ⓢ -SR	Stabilizer Ring (See Z400-SR) 50.00
-U	1"-3" [25mm-76mm] High Extension Adapter (See Z400-U) 73.00
	For each additional 1" [25mm] above 3" [76mm] 73.00
-90	90° Threaded Side Outlet Body (2" [51mm] and 3" [76mm] Only) 144.00
	For Side Outlet Body Assembly Only 263.00

ZX415-A FLOOR DRAIN WITH HEAVY-DUTY ROUND STRAINER



ENGINEERING SPECIFICATION

Zurn ZX415-A Floor and Shower Drain, Dura-Coated cast iron body with bottom outlet, combination invertible membrane clamp and adjustable collar with seepage holes, and "Type A" heavy-duty Dura-Coated cast iron strainer.



Strainer Designation	Dimensions in inches [mm]						Str. Open Area sq in [cm ²]	Approximate Weight lb [kg]
	A Pipe Size	B Diameter	K		K			
			Min.	Max.	Min.	Max.		
-5A	2 [51], 3 [76], 4 [102]	5 [127]	1/2 [13]	1-5/8 [41]	1-3/8 [35]	2-3/8 [60]	7 [45]	11 [5]
-5A	6 [152]							13 [6]

PREFIXES	DESCRIPTION	STRAINER DESIG.	PIPE SIZE	LIST PRICE
ZX415*	D.C.C.I. Body Assembly with heavy-duty dura-coated cast iron strainer	-5A	2", 3", 4"	212.00
		-5A	6"	431.00
Z415	D.C.C.I. Body Assembly ONLY (add "-L/Top" to product sku)	No Strainer	2", 3", 4"	117.00
			6"	334.00

OUTLETS (SPECIFY PIPE SIZE IN INCHES AND TYPE OF OUTLET)				
OUTLET TYPE		PIPE SIZE/OUTLET TYPE	E BODY HT. DIM.	ADD
IC	Inside Caulk	2IC, 3IC, 4IC	3-7/8" [98mm]	N/C
IP	Threaded	2IP, 3IP, 4IP, 6IP	2-5/8" [67mm]	72.00
NH	No-Hub	2NH, 3NH, 4NH	3-7/8" [98mm]	N/C
		6NH (6IP with Z1040)	5-1/2" [140mm]	263.00
NL	Neo-Loc	2NL, 3NL, 4NL	4-5/8" [117mm]	30.00

SUFFIXES		ADD
-AR	Acid Resisting Epoxy Coated Cast Iron	248.00
-FS	Floating Slab	341.00
-G	Galvanized Cast Iron	128.00
-P	Trap Primer Connection (Specify 1/2" [13mm] or 3/4" [19mm])	16.00
⌚ -PC	Protective Cover	40.00
⌚ -SA	Stabilizer Assembly (See Z1035)	-
⌚ -SQ	Stabilizer Q-deck (See Z1035-Q)	-
⌚ -SR	Stabilizer Ring (See Z400-SR)	50.00
⌚ -TC	Neo-Loc Test Cap Gasket (2", 3", 4" NL Bottom Outlet Only)	18.00
-U	1"-3" [25mm-76mm] High Extension Adapter (See Z400-U)	73.00
	For each additional 1" [25mm] above 3" [76mm]	73.00
-V	Backwater Valve (Not Available with -Y)	266.00
-VP	Vandal-Proof Secured Top	30.00
-X	Squeezin Backwater Valve	66.00
-Y	Sediment Bucket (Not Available with -Y)	38.00
-414	4" [102mm] Diameter Nickel Bronze Funnel	179.00
-90	90° Threaded Side Outlet Body (2" [51mm] and 3" [76mm] Only)	144.00
	For Side Outlet Body Assembly Only	263.00

*Regularly furnished unless otherwise specified.

⌚ This symbol denotes a product that is engineered to reduce installation and rework time.

For additional product information, please visit www.zurn.com

ZXN415-A FLOOR DRAIN WITH HEAVY-DUTY ROUND STRAINER

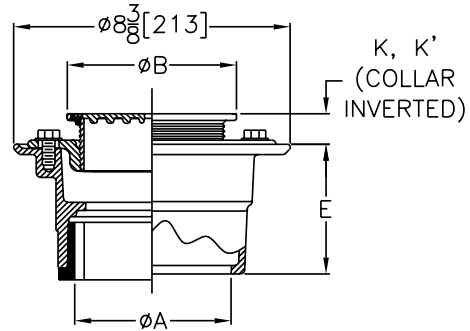


ENGINEERING SPECIFICATION

Zurn ZXN415-A Floor and Shower Drain, Dura-Coated cast iron body with bottom outlet, combination invertible membrane clamp and adjustable collar with seepage holes, and "Type A" heavy-duty strainer.

NOTES

For other available strainer variations see Z400 Strainer Series. Add price for required strainer to "BODY ONLY" price in chart. Specify type and size required.



Strainer Designation	Dimensions in inches [mm]						Str. Open Area sq in [cm ²]	Approximate Weight lb [kg]
	A Pipe Size	B Diameter	K		K			
			Min.	Max.	Min.	Max.		
-5A	2 [51], 3 [76], 4 [102]	5 [127]	1/2 [13]	1-5/8 [41]	1-3/8 [35]	2-3/8 [60]	7 [45]	10 [5]
-5A	6 [152]							12 [5]
-6A	2 [51], 3 [76], 4 [102]	6 [152]	3/4 [19]	1-3/4 [44]	1-5/8 [41]	2-3/4 [70]	11 [71]	11 [5]
-6A	6 [152]							14 [6]

PREFIXES	DESCRIPTION	STRAINER DESIG.	PIPE SIZE	LIST PRICE
ZXN415*	D.C.C.I. Body Assembly with heavy-duty polished nickel bronze strainer	-5A	2", 3", 4"	321.00
		-5A	6"	538.00
		-6A	2", 3", 4"	403.00
		-6A	6"	620.00
Z415	D.C.C.I. Body Assembly ONLY (add "-L/Top" to product sku)	No Strainer	2", 3", 4"	117.00
			6"	334.00

OUTLETS (SPECIFY PIPE SIZE IN INCHES AND TYPE OF OUTLET)				
OUTLET TYPE	PIPE SIZE/OUTLET TYPE	E BODY HT. DIM.	ADD	
IC	Inside Caulk	2IC, 3IC, 4IC	3-7/8" [98mm]	N/C
IG	Inside Gasket	2IG	3-7/8" [98mm]	30.00
IP	Threaded	2IP, 3IP, 4IP, 6IP	2-5/8" [67mm]	72.00
NH	No-Hub	2NH, 3NH, 4NH	3-7/8" [98mm]	N/C
		6NH (6IP with Z1040)	5-1/2" [140mm]	263.00
NL	Neo-Loc	2NL, 3NL, 4NL	4-5/8" [117mm]	30.00

SUFFIXES	ADD
-AR	Acid Resisting Epoxy Coated Cast Iron 248.00
-EF	3/8" [10mm] Extension Frame 168.00
-FS	Floating Slab 341.00
-G	Galvanized Cast Iron 128.00
-P	Trap Primer Connection (Specify 1/2" [13mm] or 3/4" [19mm]) 16.00
Ⓢ -PC	Protective Cover 40.00
Ⓢ -SA	Stabilizer Assembly (See Z1035) -
Ⓢ -SQ	Stabilizer Q-deck (See Z1035-Q) -
Ⓢ -SR	Stabilizer Ring (See Z400-SR) 50.00
Ⓢ -TC	Neo-Loc Test Cap Gasket (2", 3", 4" NL Bottom Outlet Only) 18.00
-U	1"-3" [25mm-76mm] High Extension Adapter (See Z400-U) 73.00
	For each additional 1" [25mm] above 3" [76mm] 73.00
-V	Backwater Valve (Not Available with -Y) 266.00
-VP	Vandal-Proof Secured Top 30.00
-X	Squeezin Backwater Valve 66.00
-Y	Sediment Bucket (Not Available with -V) 38.00
-414	4" [102mm] Diameter Nickel Bronze Funnel 179.00
-90	90° Threaded Side Outlet Body (2" [51mm] and 3" [76mm] Only) 144.00
	For Side Outlet Body Assembly Only 263.00

ZN415-B FLOOR AND SHOWER DRAIN WITH ROUND STRAINER

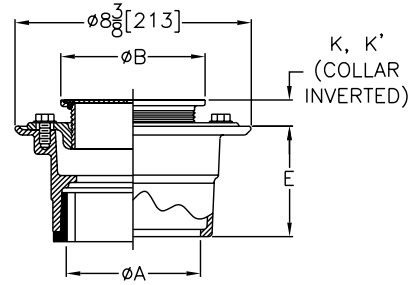


ENGINEERING SPECIFICATION

Zurn ZN415-B Floor and Shower Drain, Dura-Coated cast iron body with bottom outlet, combination invertible membrane clamp and adjustable collar with seepage holes, and "Type B" polished nickel bronze strainer.

NOTES

For other available strainer variations see Z400 Strainer Series. Add price for required strainer to "BODY ONLY" price in chart. Specify type and size required.



Strainer Designation	Dimensions in inches [mm]						Str. Open Area sq in [cm ²]	Approximate Weight lb [kg]
	A Pipe Size	B Diameter	K		K			
			Min.	Max.	Min.	Max.		
-5B	2 [51], 3 [76], 4 [102]	5 [127]	1/2 [13]	1-5/8 [41]	1-3/8 [35]	2-3/8 [60]	8 [52]	11 [5]
-5B	6 [152]							
-6B	2 [51], 3 [76], 4 [102]	6 [152]	3/4 [19]	1-3/4 [44]	1-5/8 [41]	2-3/4 [70]	9 [58]	13 [6]
-6B	6 [152]							
-7B	2 [51], 3 [76], 4 [102]	7 [178]	1 [25]	2-1/4 [57]	2 [51]	3-1/8 [79]	12 [77]	14 [6]
-7B	6 [152]							
-8B	3 [76], 4 [102]	8 [203]	1-1/8 [29]				18 [116]	16 [7]
	6 [152]							

PREFIXES	DESCRIPTION	STRAINER DESIG.	PIPE SIZE	LIST PRICE
ZN415*	D.C.C.I. Body Assembly with Polished Nickel Bronze Top	-5B	2", 3", 4"	255.00
		-5B	6"	471.00
		-6B	2", 3", 4"	327.00
		-6B	6"	545.00
		-7B	2", 3", 4"	430.00
		-7B	6"	-
		-8B	3", 4"	581.00
		-8B	6"	-
Z415	D.C.C.I. Body Assembly ONLY (add "-L/Top" to product sku)	No Strainer	2", 3", 4"	117.00
			6"	334.00

OUTLETS (SPECIFY PIPE SIZE IN INCHES AND TYPE OF OUTLET)				
OUTLET TYPE		PIPE SIZE/OUTLET TYPE	E BODY HT. DIM.	ADD
IC	Inside Caulk	2IC, 3IC, 4IC	3-7/8" [98mm]	N/C
IP	Threaded	2IP, 3IP, 4IP, 6IP	2-5/8" [67mm]	72.00
NH	No-Hub	2NH, 3NH, 4NH	3-7/8" [98mm]	N/C
		6NH (6IP with Z1040)	5-1/2" [140mm]	263.00
NL	Neo-Loc	2NL, 3NL, 4NL	4-5/8" [117mm]	30.00

SUFFIXES		ADD
-AR	Acid Resisting Epoxy Coated Cast Iron	248.00
-FS	Floating Slab	341.00
-G	Galvanized Cast Iron	128.00
-P	Trap Primer Connection (Specify 1/2" [13mm] or 3/4" [19mm])	16.00
⌚ -PC	Protective Cover	40.00
⌚ -SA	Stabilizer Assembly (See Z1035)	-
⌚ -SQ	Stabilizer Q-deck (See Z1035-Q)	-
⌚ -SR	Stabilizer Ring (See Z400-SR)	50.00
⌚ -TC	Neo-Loc Test Cap Gasket (2", 3", 4" NL Bottom Outlet Only)	18.00
-U	1"-3" [25mm-76mm] High Extension Adapter (See Z400-U)	73.00
	For each additional 1" [25mm] above 3" [76mm]	73.00
-V	Backwater Valve (Not Available with -Y)	266.00
-VP	Vandal-Proof Secured Top	30.00
-X	Squeezein Backwater Valve	66.00
-Y	Sediment Bucket (Not Available with -V)	38.00
-414	4" [102mm] Diameter Nickel Bronze Funnel	179.00
-90	90° Threaded Side Outlet Body (2" [51mm] and 3" [76mm] Only)	144.00
	For Side Outlet Body Assembly Only	263.00

*Regularly furnished unless otherwise specified.

⌚ This symbol denotes a product that is engineered to reduce installation and rework time.

For additional product information, please visit www.zurn.com

INTRO ROOF DRAINS FLOOR DRAINS T, P, BW VALVES INTERCEPTORS CARRIERS HYDRANTS CLEANOUTS W/HA SS DRAINS FAB SS DRAINS SAN-FLOOR TECH INFO

ZN415-BE FUNNEL FLOOR DRAIN

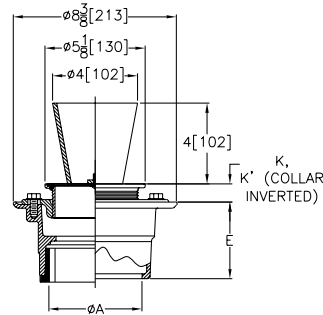


ENGINEERING SPECIFICATION

Zurn ZN415-BE Funnel Floor Drain features a Dura-Coated cast iron body with bottom outlet, combination invertible membrane clamp and adjustable collar with seepage holes, and "Type BE" polished nickel bronze round funnel grate.

NOTES

For other available strainer variations see Z400 Strainer Series. Add price for required strainer to "BODY ONLY" price in chart. Specify type and size required.



Strainer Designation	Dimensions in inches [mm]						Str. Open Area sq in [cm ²]	Approximate Weight lb [kg]
	A Pipe Size	B Diameter	K		K			
			Min.	Max.	Min.	Max.		
-5BE	2 [51], 3 [76], 4 [102]	5 [127]	1/2 [13]	1-5/8 [41]	1-3/8 [35]	2-3/8 [60]	5 [32]	8 [4]
-5BE	6 [152]							

PREFIXES	DESCRIPTION	STRAINER DESIG.	PIPE SIZE	LIST PRICE
ZN415*	D.C.C.I. Body Assembly with Polished Nickel Bronze Round Funnel Grate	-5BE	2", 3", 4"	432.00
		-5BE	6"	647.00
Z415	D.C.C.I. Body Assembly ONLY (add "-L/Top" to product sku)	No Strainer	2", 3", 4"	117.00
			6"	334.00
OUTLETS (SPECIFY PIPE SIZE IN INCHES AND TYPE OF OUTLET)				
OUTLET TYPE		PIPE SIZE/ OUTLET TYPE	E BODY HT. DIM.	ADD
IC	Inside Caulk	2IC, 3IC, 4IC	3-7/8" [98mm]	N/C
IG	Inside Gasket	2IG	3-7/8" [98mm]	30.00
IP	Threaded	2IP, 3IP, 4IP, 6IP	2-5/8" [67mm]	72.00
NH	No-Hub	2NH, 3NH, 4NH	3-7/8" [98mm]	N/C
		6NH (6IP with Z1040)	5-1/2" [140mm]	263.00
NL	Neo-Loc	2NL, 3NL, 4NL	4-5/8" [117mm]	30.00

SUFFIXES	ADD
-AR	Acid Resisting Epoxy Coated Cast Iron 248.00
-EF	3/8" [10mm] Extension Frame 168.00
-FS	Floating Slab 341.00
-G	Galvanized Cast Iron Body and C/C 128.00
	Galvanized Complete 199.00
-P	Trap Primer Connection (Specify 1/2" [13mm] or 3/4" [19mm]) 16.00
Ⓢ -SA	Stabilizer Assembly (See Z1035) -
Ⓢ -SQ	Stabilizer Q-deck (See Z1035-Q) -
Ⓢ -SR	Stabilizer Ring (See Z400-SR) 50.00
Ⓢ -TC	Neo-Loc Test Cap Gasket (2", 3", 4" NL Bottom Outlet Only) 18.00
-U	1"-3" [25mm-76mm] High Extension Adapter (See Z400-U) 73.00
	For each additional 1" [25mm] above 3" [76mm] 73.00
-V	Backwater Valve (Not Available with -Y) 266.00
-VP	Vandal-Proof Secured Top 30.00
-X	Squeezin Backwater Valve 66.00
-Y	Sediment Bucket (Not Available with -V) 38.00
-90	90° Threaded Side Outlet Body (2" [51mm] and 3" [76mm] Only) 144.00
	For Side Outlet Body Assembly Only 263.00

ZN415-BF OVAL FUNNEL FLOOR DRAIN

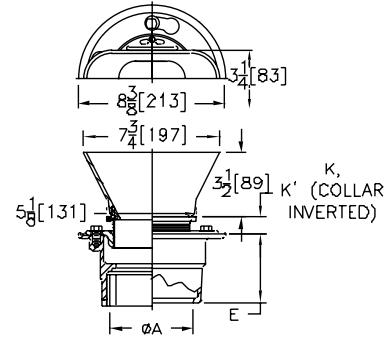


ENGINEERING SPECIFICATION

Zurn ZN415-BF Oval Funnel Floor Drain features a Dura-Coated cast iron body with bottom outlet, combination invertible membrane clamp and adjustable collar with seepage holes, and Type BF polished nickel bronze open throat oval funnel grate.

NOTES

For other available strainer variations see Z400 Strainer Series. Add price for required strainer to "BODY ONLY" price in chart. Specify type and size required.



Strainer Designation	Dimensions in inches [mm]						Str. Open Area sq in [cm ²]	Approximate Weight lb [kg]
	A Pipe Size	Strainer Size	K		K			
			Min.	Max.	Min.	Max.		
-BF	2 [51], 3 [76], 4 [102]	3-1/4 x 8 [83 x 203]	1/2 [13]	1-5/8 [41]	1-3/8 [35]	2-3/8 [60]	3 [19]	12 [5]
-BF	6 [152]							

PREFIXES	DESCRIPTION	STRAINER DESIG.	PIPE SIZE	LIST PRICE
ZN415*	D.C.C.I. Body Assembly with Polished Nickel Bronze Oval Funnel Grate	-BF	2", 3", 4"	512.00
		-BF	6"	728.00
Z415	D.C.C.I. Body Assembly ONLY (add "-L/Top" to product sku)	No Strainer	2", 3", 4"	117.00
			6"	334.00

OUTLETS (SPECIFY PIPE SIZE IN INCHES AND TYPE OF OUTLET)				
OUTLET TYPE		PIPE SIZE/ OUTLET TYPE	E BODY HT. DIM.	ADD
IC	Inside Caulk	2IC, 3IC, 4IC	3-7/8" [98mm]	N/C
IG	Inside Gasket	2IG	3-7/8" [98mm]	30.00
IP	Threaded	2IP, 3IP, 4IP, 6IP	2-5/8" [67mm]	72.00
NH	No-Hub	2NH, 3NH, 4NH	3-7/8" [98mm]	N/C
		6NH (6IP with Z1040)	5-1/2" [140mm]	263.00
NL	Neo-Loc	2NL, 3NL, 4NL	4-5/8" [117mm]	30.00

SUFFIXES		ADD
-AR	Acid Resisting Epoxy Coated Cast Iron	248.00
-EF	3/8" [10mm] Extension Frame	168.00
-FS	Floating Slab	341.00
-G	Galvanized Cast Iron Body and C/C	128.00
	Galvanized Complete	199.00
-P	Trap Primer Connection (Specify 1/2" [13mm] or 3/4" [19mm])	16.00
⌚ -SA	Stabilizer Assembly (See Z1035)	-
⌚ -SQ	Stabilizer Q-deck (See Z1035-Q)	-
⌚ -SR	Stabilizer Ring (See Z400-SR)	50.00
⌚ -TC	Neo-Loc Test Cap Gasket (2", 3", 4" NL Bottom Outlet Only)	18.00
-U	1"-3" [25mm-76mm] High Extension Adapter (See Z400-U) For each additional 1" [25mm] above 3" [76mm]	73.00
-V	Backwater Valve (Not Available with -Y)	266.00
-VP	Vandal-Proof Secured Top	30.00
-X	Squeezin Backwater Valve	66.00
-Y	Sediment Bucket (Not Available with -V)	38.00
-90	90° Threaded Side Outlet Body (2" [51mm] and 3" [76mm] Only)	144.00
	For Side Outlet Body Assembly Only	263.00

*Regularly furnished unless otherwise specified.

⌚ This symbol denotes a product that is engineered to reduce installation and rework time.

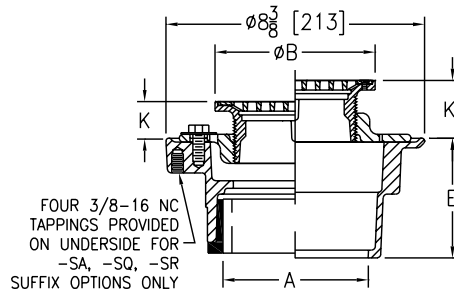
For additional product information, please visit www.zurn.com

ZS415 BODY ASSEMBLY WITH "TYPE BS" STRAINER



ENGINEERING SPECIFICATION

Zurn ZS415BS floor and shower drain features Dura-Coated cast iron body with bottom outlet, combination invertible membrane clamp and adjustable collar with seepage slots, and "Type BS" stainless steel heel-proof, medium-duty strainer assembly.



Strainer Designation	Dimensions in inches [mm]						Str. Open Area sq in [cm ²]	Approximate Weight lb [kg]
	A Pipe Size	B Diameter	K		K'			
			Min.	Max.	Min.	Max.		
-5BS	2 [51], 3 [76]	5 [127]	1 [25]	1-1/2 [38]	1-3/32 [27]	2-1/4 [57]	6-3/4 [44]	10 [5]
-6BS	2 [51], 3 [76], 4 [102]	6 [152]		1-25/32 [45]	1-13/32 [36]	2-17/32 [64]	10-1/2 [68]	11 [5]
-7BS		7 [178]		2-1/8 [54]	1-23/32 [44]	2-7/8 [73]	15 [97]	12 [5]
-8BS	3 [76], 4 [102]	8 [203]	1-5/32 [29]		1-3/4 [44]		20 [129]	13 [6]
-10BS	6 [152]	10 [254]	1-7/16 [37]	2-1/2 [64]	2 [51]	3-1/4 [83]		26-1/2 [171]

PREFIXES	DESCRIPTION	STRAINER DESIG.	PIPE SIZE	LIST PRICE
ZS415*	D.C.C.I. Body Assembly with Type 304 Stainless Steel Top	-5BS	2", 3"	723.00
		-6BS	2", 3", 4"	908.00
		-7BS	2", 3", 4"	1,180.00
		-8BS	3", 4"	1,234.00
		-10BS	6"	1,453.00
ZM415	D.C.C.I. Body Assembly with Type 316 (CF8M) Stainless Steel Top	-5BS	2", 3"	POA
		-6BS	2", 3", 4"	POA
		-7BS	2", 3", 4"	POA
		-8BS	3", 4"	POA
		-10BS	6"	POA
Z415	D.C.C.I. Body Assembly ONLY (add "-L/Top" to product sku)	No Strainer	2", 3", 4"	117.00
			6"	334.00

SUFFIXES	ADD
-AR	Acid Resisting Epoxy Coated Cast Iron 248.00
-G	Galvanized Cast Iron 128.00
-P	Trap Primer Connection (Specify 1/2" [13mm] or 3/4" [19mm]) 16.00
-TC	Neo-Loc Test Cap Gasket (2", 3", 4" NL Bottom Outlet Only) 18.00
-TSP	Trap Seal Protection Device (Size Matches Drain Outlet Selected, See Z1072) POA
-U	1"-3" [25mm-76mm] High Extension Adapter (See Z400-U) D.C. 73.00
	Galv. 205.00
	For each additional 1" [25mm] above 3" [76mm] 73.00
-V	Backwater Valve (Not Available with -Y) 266.00
-VP	Vandal-Proof Secured Top 30.00
-Y	Sediment Bucket (Not Available with -V) 38.00

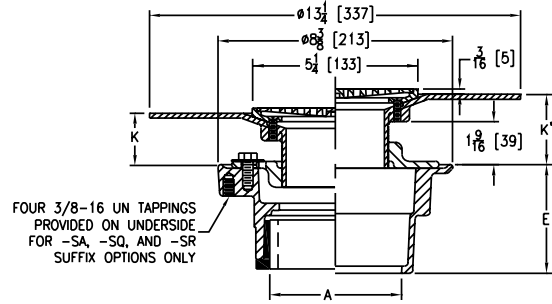
OUTLETS (SPECIFY PIPE SIZE IN INCHES AND TYPE OF OUTLET)			
OUTLET TYPE	PIPE SIZE/ OUTLET TYPE	E BODY HT. DIM.	ADD
IC	Inside Caulk	2IC, 3IC, 4IC	4-13/16" [122mm] N/C
IP	Threaded	2IP	2-7/16" [62mm] 72.00
		3IP	2-3/4" [70mm] 72.00
		4IP	2-13/16" [71mm] 72.00
		6IP	2-7/8" [73mm] 72.00
NH	No-Hub	2NH, 3NH, 4NH	3-13/16" [97mm] N/C
NL	Neo-Loc	2NL, 3NL, 4NL	3-7/8" [98mm] 30.00

Z415 BODY ASSEMBLY WITH "TYPE BL" STRAINER



ENGINEERING SPECIFICATION

Zurn ZN415BL floor and shower drain features Dura-Coated cast iron body with bottom outlet, combination invertible membrane clamp and adjustable collar with seepage slots, and "Type BL" D.C.C.I. wide flanged head and polished nickel bronze, light-duty strainer.



Strainer Designation	Dimensions in inches [mm]					Str. Open Area sq in [cm ²]	Approximate Weight lb [kg]
	A Pipe Size	K		K'			
		Min.	Max.	Min.	Max.		
-5BL	2 [51], 3 [76], 4 [102], 5 [127], 6 [152]	7/8 [22]	2-1/4 [57]	1-11/16 [43]	3 [76]	6-1/4 [40]	14 [6]

PREFIXES	DESCRIPTION	STRAINER DESIG.	PIPE SIZE	LIST PRICE
ZN415*	D.C.C.I. Body Assembly with Polished Nickel Bronze Top	-5BL	2", 3", 4" 6"	768.00 986.00
ZB415	D.C.C.I. Body Assembly with Polished Bronze Top	-5BL	2", 3", 4" 6"	753.00 971.00
Z415	D.C.C.I. Body Assembly ONLY (add "-L/Top" to product sku)	No Strainer	2", 3", 4", 6"	117.00 334.00

OUTLETS (SPECIFY PIPE SIZE IN INCHES AND TYPE OF OUTLET)			
OUTLET TYPE	PIPE SIZE/ OUTLET TYPE	E BODY HT. DIM.	ADD
IC	Inside Caulk	2IC, 3IC, 4IC	4-13/16" [122mm] N/C
IP	Threaded	2IP	2-7/16" [62mm] 72.00
		3IP	2-3/4" [70mm] 72.00
		4IP	2-13/16" [71mm] 72.00
		6IP	2-7/8" [73mm] 72.00
NH	No-Hub	2NH, 3NH, 4NH	3-13/16" [97mm] N/C
NL	Neo-Loc	2NL, 3NL, 4NL	3-7/8" [98mm] 30.00

SUFFIXES	ADD
-AR	Acid Resisting Epoxy Coated Cast Iron 248.00
-CP	Chrome-Plated Bronze Top 42.00
-G	Galvanized Cast Iron 128.00
-P	Trap Primer Connection (Specify 1/2" [13mm] or 3/4" [19mm]) 16.00
Ⓢ -PC	Protective Cover 40.00
Ⓢ -SA	Stabilizer Assembly (See Z1035) -
Ⓢ -TC	Neo-Loc Test Cap Gasket (2", 3", 4" NL Bottom Outlet Only) 18.00
-U	1"-3" [25mm-76mm] High Extension Adapter (See Z400-U) 73.00
	For each additional 1" [25mm] above 3" [76mm] 73.00
-vp	Vandal-Proof Secured Top 30.00
-Y	Sediment Bucket 38.00
-90	90° Threaded Side Outlet Body Assembly (2" [51mm] and 3" [76mm] Only) 144.00

*Regularly furnished unless otherwise specified.

Ⓢ This symbol denotes a product that is engineered to reduce installation and rework time.

For additional product information, please visit www.zurn.com

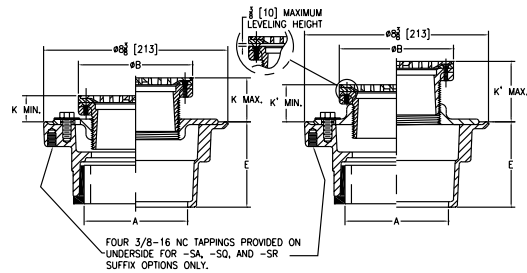
⌚ Z415 BODY ASSEMBLY WITH "TYPE BZ" LEVELING STRAINER



Patented

ENGINEERING SPECIFICATION

Zurn ZN415BZ floor and shower drain features Dura-Coated cast iron body with bottom outlet, combination invertible membrane clamp and adjustable collar with seepage slots, and "Type BZ" polished nickel bronze, light-duty, leveling strainer.



Strainer Designation	Dimensions in inches [mm]						Str. Open Area sq in [cm ²]	Approximate Weight lb [kg]
	A Pipe Size	B Strainer Diameter	K		K'			
			Min.	Max.	Min.	Max.		
-5BZ	2 [51], 3 [76]	5-3/16 [132]	1-1/16 [27]	2-1/16 [52]	1-9/16 [40]	2-13/16 [71]	6-1/4 [40]	11 [5]
-6BZ	2 [51], 3 [76], 4 [102]	6-1/4 [159]	1-3/8 [35]	2-7/32 [56]	1-3/4 [44]	2-15/16 [75]	9 [58]	13 [6]

PREFIXES	DESCRIPTION	STRAINER DESIG.	PIPE SIZE	LIST PRICE
ZN415*	D.C.C.I. Body Assembly with Polished Nickel Bronze Top	-5BZ	2", 3"	315.00
		-6BZ	2", 3", 4"	389.00
ZB415	D.C.C.I. Body Assembly with Polished Bronze Top	-5BZ	2", 3"	340.00
		-6BZ	2", 3", 4"	410.00
Z415	D.C.C.I. Body Assembly ONLY (add "-L/Top" to product sku)	No Strainer	2", 3", 4"	117.00
			6"	334.00

OUTLETS (SPECIFY PIPE SIZE IN INCHES AND TYPE OF OUTLET)				
OUTLET TYPE		PIPE SIZE/ OUTLET TYPE	E BODY HT. DIM.	ADD
IC	Inside Caulk	2IC, 3IC, 4IC	4-13/16" [122mm]	N/C
IG	Inside Gasket	2IG, 3IG, 4IG	4-13/16" [122mm]	30.00
IP	Threaded	2IP	2-7/16" [62mm]	72.00
		3IP	2-3/4" [70mm]	72.00
		4IP	2-13/16" [71mm]	72.00
NH	No-Hub	2NH, 3NH, 4NH	3-13/16" [97mm]	N/C
NL	Neo-Loc	2NL, 3NL, 4NL	3-7/8" [98mm]	30.00

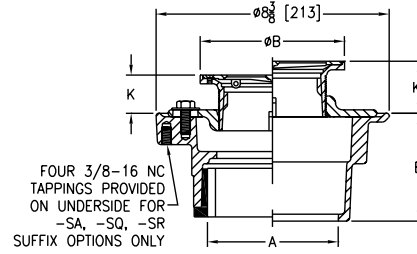
SUFFIXES		ADD	
-AA	All Acid Resisting Epoxy	204.00	
-AR	Acid Resisting Epoxy Coated Cast Iron	248.00	
-CP	Chrome-Plated Bronze Top	20.00	
-DP	Decorative Polished Top	132.00	
-G	Galvanized Cast Iron	132.00	
-OF	Oval Funnel - 6" [152mm] Strainer Only (See Z329-7)	ZB	178.00
		ZN	178.00
-P	Trap Primer Connection (Specify 1/2" [13mm] or 3/4" [19mm])	128.00	
-PC	Protective Cover	40.00	
-SA	Stabilizer Assembly (See Z1035)	-	
-SQ	Stabilizer Q-deck (See Z1035-Q)	-	
-SR	Stabilizer Ring (See Z400-SR)	-	
-TC	Neo-Loc Test Cap Gasket (2", 3", 4" NL Bottom Outlet Only)	18.00	
-U	1"-3" [25mm-76mm] High Extension Adapter (See Z400-U)	D.C.	73.00
		Galv.	205.00
	For each additional 1" [25mm] above 3" [76mm]	73.00	
-V	Backwater Valve (Not Available with -Y)	266.00	
-VP	Vandal-Proof Secured Top	30.00	
-Y	Sediment Bucket (Not Available with -V)	41.00	
-4	4" [102mm] Diameter Funnel (Z328)	ZB	171.00
		ZN	179.00
-90	90° Threaded Side Outlet Body Assembly (2" [51mm] and 3" [76mm] Only)	144.00	

Z415 BODY ASSEMBLY WITH "TYPE C" STRAINER



ENGINEERING SPECIFICATION

Zurn ZN415C floor and shower drain features Dura-Coated cast iron body with bottom outlet, combination invertible membrane clamp and adjustable collar with seepage slots, and "Type C" polished, hinged nickel bronze, light-duty strainer.



Strainer Designation	Dimensions in inches [mm]						Str. Open Area sq in [cm ²]	Approximate Weight lb [kg]
	A Pipe Size	B Diameter	K		K'			
			Min.	Max.	Min.	Max.		
-5C	2 [51], 3 [76]	5 [127]	1 [25]	1-1/2 [38]	1-3/32 [27]	2-1/4 [57]	8 [52]	11 [5]
-6C	2 [51], 3 [76], 4 [102]	6 [152]		1-25/32 [45]	1-13/32 [36]	2-17/32 [64]	9 [58]	13 [6]
-7C		7 [178]		2-1/8 [54]	1-23/32 [44]	2-7/8 [73]	13 [84]	14 [6]
-8C	3 [76], 4 [102] 6 [152]	8 [203]	1-5/32 [29]		1-3/4 [44]		18 [116]	16 [7] 18 [8]

PREFIXES	DESCRIPTION	STRAINER DESIG.	PIPE SIZE	LIST PRICE
ZN415*	D.C.C.I. Body Assembly with Polished Nickel Bronze Top	-5C	2", 3"	561.00
		-6C	2", 3", 4"	614.00
		-7C	2", 3", 4"	732.00
		-8C	3", 4"	790.00
			6"	1,129.00
ZB415	D.C.C.I. Body Assembly with Polished Bronze Top	-5C	2", 3"	538.00
		-6C	2", 3", 4"	587.00
		-7C	2", 3", 4"	700.00
		-8C	3", 4"	758.00
			6"	1,073.00
Z415	D.C.C.I. Body Assembly ONLY (add "-L/Top" to product sku)	No Strainer	2", 3", 4"	117.00
			6"	334.00

OUTLETS (SPECIFY PIPE SIZE IN INCHES AND TYPE OF OUTLET)				
OUTLET TYPE		PIPE SIZE/ OUTLET TYPE	E BODY HT. DIM.	ADD
IC	Inside Caulk	2IC, 3IC, 4IC	4-13/16" [122mm]	N/C
IP	Threaded	2IP	2-7/16" [62mm]	72.00
		3IP	2-3/4" [70mm]	72.00
		4IP	2-13/16" [71mm]	72.00
		6IP	2-7/8" [73mm]	72.00
NH	No-Hub	2NH, 3NH, 4NH	3-13/16" [97mm]	N/C
NL	Neo-Loc	2NL, 3NL, 4NL	3-7/8" [98mm]	30.00

SUFFIXES	ADD
-AR	Acid Resisting Epoxy Coated Cast Iron 248.00
-CP	Chrome-Plated Bronze Top 20.00
-G	Galvanized Cast Iron 128.00
-P	Trap Primer Connection (Specify 1/2" [13mm] or 3/4" [19mm]) 16.00
Ⓢ -PC	Protective Cover 40.00
Ⓢ -SA	Stabilizer Assembly (See Z1035) -
Ⓢ -SQ	Stabilizer Q-Deck (See Z1035-Q) -
Ⓢ -SR	Stabilizer Ring (See Z400-SR) -
Ⓢ -TC	Neo-Loc Test Cap Gasket (2", 3", 4" NL Bottom Outlet Only) 18.00
-U	1"-3" [25mm-76mm] High Extension Adapter (See Z400-U) 73.00
	For each additional 1" [25mm] above 3" [76mm] 76.00
-V	Backwater Valve (Not Available with -Y) 266.00
-VP	Vandal-Proof Secured Top 30.00
-Y	Sediment Bucket (Not Available with -V) 38.00
-90	90° Threaded Side Outlet Body Assembly (2" [51mm] and 3" [76mm] Only) 263.00

*Regularly furnished unless otherwise specified.

Ⓢ This symbol denotes a product that is engineered to reduce installation and rework time.

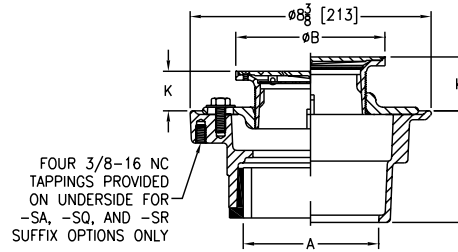
For additional product information, please visit www.zurn.com

Z415 BODY ASSEMBLY WITH "TYPE D" STRAINER



ENGINEERING SPECIFICATION

Zurn ZN415D floor and shower drain features Dura-Coated cast iron body with bottom outlet, combination invertible membrane clamp and adjustable collar with seepage slots, and "Type D" polished, hinged solid, nickel bronze light-duty strainer.



Strainer Designation	Dimensions in inches [mm]						Approximate Weight lb [kg]
	A Pipe Size	B Diameter	K		K'		
			Min.	Max.	Min.	Max.	
-5D	2 [51], 3 [76]	5 [127]	1 [25]	1-1/2 [38]	1-3/32 [27]	2-1/4 [57]	12 [5]
-6D	2 [51], 3 [76], 4 [102]	6 [152]		1-25/32 [45]	1-13/32 [36]	2-17/32 [64]	14 [6]
-7D		7 [178]		1-23/32 [44]	2-17/32 [64]	15 [7]	
-8D	3 [76], 4 [102]	8 [203]	1-5/32 [29]	2-1/8 [54]	1-3/4 [44]	2-7/8 [73]	17 [8]
	6 [152]						19 [9]

PREFIXES	DESCRIPTION	STRAINER DESIG.	PIPE SIZE	LIST PRICE
ZN415*	D.C.C.I. Body Assembly with Polished Nickel Bronze Top	-5D	2", 3"	533.00
		-6D	2", 3", 4"	832.00
		-7D	2", 3", 4"	1,193.00
		-8D	3", 4"	1,213.00
			6"	1,407.00
ZB415	D.C.C.I. Body Assembly with Polished Bronze Top	-5D	2", 3"	512.00
		-6D	2", 3", 4"	793.00
		-7D	2", 3", 4"	1,140.00
		-8D	3", 4"	1,155.00
			6"	1,321.00
Z415	D.C.C.I. Body Assembly ONLY (add "-L/Top" to product sku)	No Strainer	2", 3", 4"	117.00
			6"	334.00

OUTLETS (SPECIFY PIPE SIZE IN INCHES AND TYPE OF OUTLET)				
OUTLET TYPE		PIPE SIZE/ OUTLET TYPE	E BODY HT. DIM.	ADD
IC	Inside Caulk	2IC, 3IC, 4IC	4-13/16" [122mm]	N/C
IP	Threaded	2IP	2-7/16" [62mm]	72.00
		3IP	2-3/4" [70mm]	72.00
		4IP	2-13/16" [71mm]	72.00
		6IP	2-7/8" [73mm]	72.00
NH	No-Hub	2NH, 3NH, 4NH	3-13/16" [97mm]	N/C
NL	Neo-Loc	2NL, 3NL, 4NL	3-7/8" [98mm]	30.00

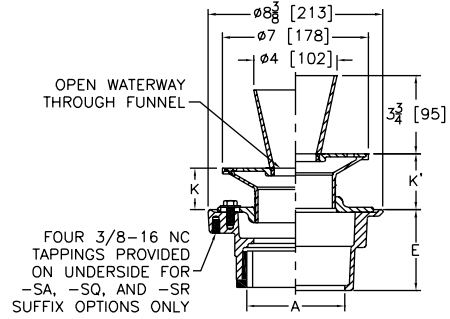
SUFFIXES		ADD
-AR	Acid Resisting Epoxy Coated Cast Iron	248.00
-G	Galvanized Cast Iron	128.00
-P	Trap Primer Connection (Specify 1/2" [13mm] or 3/4" [19mm])	16.00
Ⓢ -PC	Protective Cover	40.00
Ⓢ -SA	Stabilizer Assembly (See Z1035)	-
Ⓢ -SQ	Stabilizer Q-deck (See Z1035-Q)	-
Ⓢ -SR	Stabilizer Ring (See Z400-SR)	-
Ⓢ -TC	Neo-Loc Test Cap Gasket (2", 3", 4" NL Bottom Outlet Only)	18.00
-U	1"-3" [25mm-76mm] High Extension Adapter (See Z400-U)	D.C. 73.00 Galv. 205.00
	For each additional 1" [25mm] above 3" [76mm]	76.00
-V	Backwater Valve (Not Available with -Y)	266.00
-VP	Vandal-Proof Secured Top	30.00
-Y	Sediment Bucket (Not Available with -V)	38.00
-90	90° Threaded Side Outlet Body Assembly (2" [51mm] and 3" [76mm] Only)	144.00

Z415 BODY ASSEMBLY WITH "TYPE E" STRAINER



ENGINEERING SPECIFICATION

Zurn ZN415E floor and shower drain features Dura-Coated cast iron body with bottom outlet, combination invertible membrane clamp and adjustable collar with seepage slots, and "Type E" polished, nickel bronze strainer with 4" diameter funnel.



Strainer Designation	Dimensions in inches [mm]					Str. Open Area sq in [cm ²]	Approximate Weight lb [kg]
	A Pipe Size	K		K'			
		Min.	Max.	Min.	Max.		
-7E	2 [51], 3 [76], 4 [102]	1 [25]	2-1/8 [54]	1-5/8 [41]	2-15/16 [75]	5 [32]	19 [9]

PREFIXES	DESCRIPTION	STRAINER DESIG.	PIPE SIZE	LIST PRICE
ZN415*	D.C.C.I. Body Assembly with Polished Nickel Bronze Top	-7E	2", 3", 4"	864.00
ZB415	D.C.C.I. Body Assembly with Polished Bronze Top	-7E	2", 3", 4"	807.00
Z415	D.C.C.I. Body Assembly ONLY (add "-L/Top" to product sku)	No Strainer	2", 3", 4"	117.00

OUTLETS (SPECIFY PIPE SIZE IN INCHES AND TYPE OF OUTLET)				
OUTLET TYPE		PIPE SIZE/ OUTLET TYPE	E BODY HT. DIM.	ADD
IC	Inside Caulk	2IC, 3IC, 4IC	4-13/16" [122mm]	N/C
IP	Threaded	2IP	2-7/16" [62mm]	72.00
		3IP	2-3/4" [70mm]	72.00
		4IP	2-13/16" [71mm]	72.00
NH	No-Hub	2NH, 3NH, 4NH	3-13/16" [97mm]	N/C
NL	Neo-Loc	2NL, 3NL, 4NL	3-7/8" [98mm]	30.00

SUFFIXES		ADD
-AR	Acid Resisting Epoxy Coated Cast Iron	248.00
-G	Galvanized Cast Iron	128.00
-P	Trap Primer Connection (Specify 1/2" [13mm] or 3/4" [19mm])	16.00
Ⓢ -SA	Stabilizer Assembly (See Z1035)	-
-SC	Solid Cover	125.00
Ⓢ -SQ	Stabilizer Q-Deck (See Z1035-Q)	-
Ⓢ -SR	Stabilizer Ring (See Z400-SR)	-
Ⓢ -TC	Neo-Loc Test Cap Gasket (2", 3", 4" NL Bottom Outlet Only)	18.00
Ⓢ -U	1"-3" [25mm-76mm] High Extension Adapter (See Z400-U)	D.C. 73.00
		Galv. 205.00
	For each additional 1" [25mm] above 3" [76mm]	76.00
-V	Backwater Valve (Not Available with -Y)	298.00
-vp	Vandal-Proof Secured Top	42.00
-Y	Sediment Bucket (Not Available with -V)	86.00
-90	90° Threaded Side Outlet Body Assembly (2" [51mm] and 3" [76mm] Only)	144.00

*Regularly furnished unless otherwise specified.

Ⓢ This symbol denotes a product that is engineered to reduce installation and rework time.

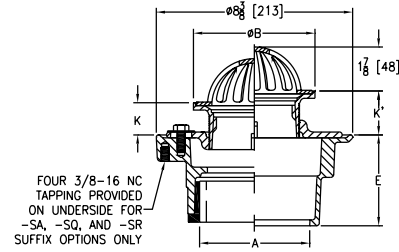
For additional product information, please visit www.zurn.com

Z415 BODY ASSEMBLY WITH "TYPE G" STRAINER



ENGINEERING SPECIFICATION

Zurn ZN415G floor and shower drain features Dura-Coated cast iron body with bottom outlet, combination invertible membrane clamp and adjustable collar with seepage slots, and Type G polished, nickel bronze strainer with dome grate.



Strainer Designation	Dimensions in inches [mm]						Str. Open Area sq in [cm ²]	Approximate Weight lb [kg]
	A Pipe Size	B Diameter	K		K'			
			Min.	Max.	Min.	Max.		
-5G	2 [51], 3 [76]	5 [127]	1 [25]	1-1/2 [38]	1-3/32 [27]	2-1/4 [57]	10 [65]	11 [5]
-6G	2 [51], 3 [76], 4 [102]	6 [152]		1-25/32 [45]	1-13/32 [36]	2-17/32 [64]	12 [77]	13 [6]

PREFIXES	DESCRIPTION	STRAINER DESIG.	PIPE SIZE	LIST PRICE
ZN415*	D.C.C.I. Body Assembly with Polished Nickel Bronze Top	-5G	2", 3"	301.00
		-6G	2", 3", 4"	341.00
ZB415	D.C.C.I. Body Assembly with Polished Bronze Top	-5G	2", 3"	290.00
		-6G	2", 3", 4"	328.00
Z415	D.C.C.I. Body Assembly ONLY (add "-L/Top" to product sku)	No Strainer	2", 3", 4"	117.00

OUTLETS (SPECIFY PIPE SIZE IN INCHES AND TYPE OF OUTLET)				
OUTLET TYPE		PIPE SIZE/ OUTLET TYPE	E BODY HT. DIM.	ADD
IC	Inside Caulk	2IC, 3IC, 4IC	4-13/16" [122mm]	N/C
IP	Threaded	2IP	2-7/16" [62mm]	72.00
		3IP	2-3/4" [70mm]	72.00
		4IP	2-13/16" [71mm]	72.00
NH	No-Hub	2NH, 3NH, 4NH	3-13/16" [97mm]	N/C
NL	Neo-Loc	2NL, 3NL, 4NL	3-7/8" [98mm]	30.00

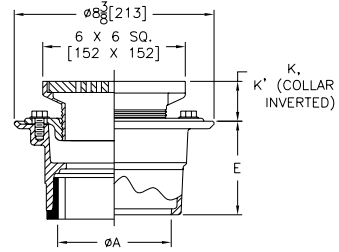
SUFFIXES	ADD
-AR	Acid Resisting Epoxy Coated Cast Iron 248.00
-G	Galvanized Cast Iron 128.00
-P	Trap Primer Connection (Specify 1/2" [13mm] or 3/4" [19mm]) 16.00
Ⓢ -SA	Stabilizer Assembly (See Z1035) -
Ⓢ -SQ	Stabilizer Q-Deck (See Z1035-Q) -
Ⓢ -SR	Stabilizer Ring (See Z400-SR) 50.00
-SS	Stainless Steel Mesh Screen Over Dome 224.00
Ⓢ -TC	Neo-Loc Test Cap Gasket (2", 3", 4" NL Bottom Outlet Only) 18.00
-U	1"-3" [25mm-76mm] High Extension Adapter (See Z400-U) 73.00
	For each additional 1" [25mm] above 3" [76mm] 76.00
-V	Backwater Valve (Not Available with -Y) 266.00
-VP	Vandal-Proof Secured Top 30.00
-Y	Sediment Bucket (Not Available with -V) 38.00
-90	90° Threaded Side Outlet Body Assembly (2" [51mm] and 3" [76mm] Only) 144.00

ZXN415-H FLOOR DRAIN WITH HEAVY-DUTY SQUARE GRATE



ENGINEERING SPECIFICATION

Zurn ZXN-415-H Floor and Shower Drain features a Dura-Coated cast iron body with bottom outlet, combination invertible membrane clamp and adjustable collar with seepage holes, and "Type H" polished nickel bronze strainer with flashing clamp device.



Strainer Designation	Dimensions in inches [mm]						Str. Open Area sq in [cm ²]	Approximate Weight lb [kg]
	A Pipe Size	Strainer Size	K		K'			
			Min.	Max.	Min.	Max.		
-6H	2 [51], 3 [76], 4 [102]	6 x 6 [152 x 152]	1 [25]	1-25/32 [45]	1-13/32 [36]	2-17/32 [64]	12 [77]	13 [6]

PREFIXES	DESCRIPTION	STRAINER DESIG.	PIPE SIZE	LIST PRICE
ZXN415*	D.C.C.I. Body Assembly with Polished Nickel Bronze Top	-6H	2", 3", 4"	441.00
Z415	D.C.C.I. Body Assembly ONLY (add "-L/Top" to product sku)	No Strainer	2", 3", 4"	117.00
OUTLETS (SPECIFY PIPE SIZE IN INCHES AND TYPE OF OUTLET)				
OUTLET TYPE	PIPE SIZE/ OUTLET TYPE	E BODY HT. DIM.	ADD	
IG	Inside Gasket	2IG, 3IG, 4IG	3-7/8" [98mm]	30.00
IP	Threaded	2IP, 3IP, 4IP, 6IP	2-5/8" [67mm]	72.00
NH	No-Hub	2NH, 3NH, 4NH	3-7/8" [98mm]	N/C
		6NH (6IP with Z1040)	5-1/2" [140mm]	263.00
NL	Neo-Loc	2NL, 3NL, 4NL	4-5/8" [117mm]	30.00

SUFFIXES	ADD
-AR	Acid Resisting Epoxy Coated Cast Iron 248.00
-G	Galvanized Cast Iron 128.00
-P	Trap Primer Connection (Specify 1/2" [13mm] or 3/4" [19mm]) 16.00
Ⓢ -SA	Stabilizer Assembly (See Z1035) -
Ⓢ -SQ	Stabilizer Q-Deck (See Z1035-Q) -
Ⓢ -SR	Stabilizer Ring (See Z400-SR) 50.00
Ⓢ -TC	Neo-Loc Test Cap Gasket (2", 3", 4" NL Bottom Outlet Only) 18.00
-U	1"-3" [25mm-76mm] High Extension Adapter (See Z400-U) 73.00
	For each additional 1" [25mm] above 3" [76mm] 73.00
-V	Backwater Valve (Not Available with -Y) 266.00
-X	Squeezin Backwater Valve 66.00
-VP	Vandal-Proof Secured Top 30.00
-Y	Sediment Bucket (Not Available with -V) 38.00

*Regularly furnished unless otherwise specified.

Ⓢ This symbol denotes a product that is engineered to reduce installation and rework time.

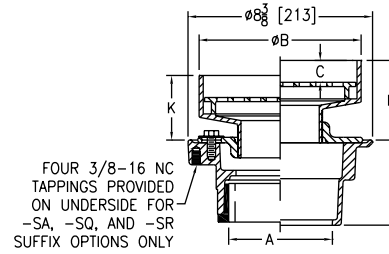
For additional product information, please visit www.zurn.com

Z415 BODY ASSEMBLY WITH "TYPE I" STRAINER



ENGINEERING SPECIFICATION

Zurn ZN415I floor and shower drain features Dura-Coated cast iron body with bottom outlet, combination invertible membrane clamp and adjustable collar with seepage slots, and "Type I" polished, nickel bronze strainer with raised flange.



Strainer Designation	Dimensions in inches [mm]							Str. Open Area sq in [cm ²]	Approximate Weight lb [kg]
	A Pipe Size	B Diameter	C	K		K'			
				Min.	Max.	Min.	Max.		
-5I	2 [51], 3 [76]	5-7/16 [138]	7/8 [22]	1-9/16 [40]	2-5/8 [67]	2-1/8 [54]	3-3/8 [86]	8 [52]	14 [6]
-7I	2 [51], 3 [76], 4 [102]	7-3/8 [187]	1 [25]	2-9/16 [65]	3-3/8 [86]	2-7/8 [73]	4-1/8 [104]	13 [84]	19 [9]
-9I	3 [76], 4 [102]	9 [229]	1/2 [13]	2-3/16 [56]	3-1/8 [79]	2-5/8 [67]	3-7/8 [98]	23 [148]	23 [10]
	6 [152]								

PREFIXES	DESCRIPTION	STRAINER DESIG.	PIPE SIZE	LIST PRICE
ZN415*	D.C.C.I. Body Assembly with Polished Nickel Bronze Top	-5I	2", 3"	586.00
		-7I	2", 3", 4"	700.00
		-9I	3", 4"	908.00
			6"	1,556.00
ZB415	D.C.C.I. Body Assembly with Polished Bronze Top	-5I	2", 3"	559.00
		-7I	2", 3", 4"	672.00
		-9I	3", 4"	867.00
			6"	1,451.00
Z415	D.C.C.I. Body Assembly ONLY (add "-L/Top" to product sku)	No Strainer	2", 3"	117.00
			2", 3", 4"	117.00
			3", 4"	117.00
			6"	334.00

OUTLETS (SPECIFY PIPE SIZE IN INCHES AND TYPE OF OUTLET)				
OUTLET TYPE		PIPE SIZE/ OUTLET TYPE	E BODY HT. DIM.	ADD
IC	Inside Caulk	2IC, 3IC, 4IC	4-13/16" [122mm]	N/C
IP	Threaded	2IP	2-7/16" [62mm]	72.00
		3IP	2-3/4" [70mm]	72.00
		4IP	2-13/16" [71mm]	72.00
		6IP	2-7/8" [73mm]	72.00
NH	No-Hub	2NH, 3NH, 4NH	3-13/16" [97mm]	N/C
NL	Neo-Loc	2NL, 3NL, 4NL	3-7/8" [98mm]	30.00

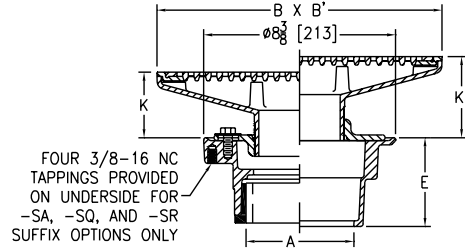
SUFFIXES		ADD
-AR	Acid Resisting Epoxy Coated Cast Iron	248.00
-G	Galvanized Cast Iron	128.00
-P	Trap Primer Connection (Specify 1/2" [13mm] or 3/4" [19mm])	16.00
Ⓢ -SA	Stabilizer Assembly (See Z1035)	-
Ⓢ -SQ	Stabilizer Q-deck (See Z1035-Q)	-
Ⓢ -SR	Stabilizer Ring (See Z400-SR)	50.00
Ⓢ -TC	Neo-Loc Test Cap Gasket (2", 3", 4" NL Bottom Outlet Only)	18.00
-TS	Top Secured with Slotted Screws	42.00
-U	1"-3" [25mm-76mm] High Extension Adapter (See Z400-U)	D.C. 76.00
	For each additional 1" [25mm] above 3" [76mm]	Galv. 205.00
-V	Backwater Valve (Not Available with -Y)	266.00
-VP	Vandal-Proof Secured Top	30.00
-Y	Sediment Bucket (Not Available with -V)	38.00
-90	90° Threaded Side Outlet Body Assembly (2" [51mm] and 3" [76mm] Only)	144.00

Z415 BODY ASSEMBLY WITH "TYPE J" HEEL-PROOF STRAINER



ENGINEERING SPECIFICATION

Zurn ZN415J floor and shower drain features Dura-Coated cast iron body with bottom outlet, combination invertible membrane clamp and adjustable collar with seepage slots, and "Type J" polished, nickel bronze rectangular light-duty, heel-proof strainer.



Strainer Designation	Dimensions in inches [mm]						Str. Open Area sq in [cm ²]	Approximate Weight lb [kg]
	A Pipe Size	B Diameter	K		K'			
			Min.	Max.	Min.	Max.		
-8J	2 [51], 3 [76], 4 [102]	4-1/2 [114] x 8 [203]	1-3/8 [35]	2-5/8 [67]	2-3/8 [60]	3-1/2 [89]	12 [77]	13 [6]
-9J		5 [127] x 9 [229]	1-1/2 [38]	2-3/4 [70]	2-1/2 [64]	3-5/8 [92]	15 [97]	14 [6]
-13J	3 [76], 4 [102]	5-1/2 [140] x 13 [330]	2 [51]	3-5/16 [84]	2-7/8 [73]	4 [102]	20 [129]	18 [8]
-17J		5 [127] x 17 [432]	2-1/4 [57]				29 [187]	23 [10]
-21J		5 [127] x 21 [533]	2-3/8 [60]	32 [206]	27 [12]			

PREFIXES	DESCRIPTION	STRAINER DESIG.	PIPE SIZE	LIST PRICE
ZN415*	D.C.C.I. Body Assembly with Polished Nickel Bronze Top	-8J	2", 3", 4"	531.00
		-8JC	2", 3", 4"	531.00
		-9J	2", 3", 4"	531.00
		-13J	3", 4"	570.00
		-17J	3", 4"	1,089.00
		-21J	3", 4"	1,625.00
ZB415	D.C.C.I. Body Assembly with Polished Bronze Top	-8J	2", 3", 4"	512.00
		-9J	2", 3", 4"	512.00
		-13J	3", 4"	548.00
		-17J	3", 4"	1,040.00
		-21J	3", 4"	1,549.00
Z415	D.C.C.I. Body Assembly ONLY (add "-L/Top" to product sku)	No Strainer	2", 3", 4"	117.00
			6"	334.00

OUTLETS (SPECIFY PIPE SIZE IN INCHES AND TYPE OF OUTLET)				
OUTLET TYPE		PIPE SIZE/ OUTLET TYPE	E BODY HT. DIM.	ADD
IC	Inside Caulk	2IC, 3IC, 4IC	3-7/8" [98mm]	N/C
IP	Threaded	2IP, 3IP, 4IP, 6IP	2-5/8" [67mm]	72.00
NH	No-Hub	2NH, 3NH, 4NH	3-7/8" [98mm]	N/C
		6NH (6IP with Z1040)	5-1/2" [140mm]	263.00
NL	Neo-Loc	2NL, 3NL, 4NL	4-5/8" [117mm]	30.00

SUFFIXES		ADD
-AR	Acid Resisting Epoxy Coated Cast Iron	248.00
-FS	Floating Slab	341.00
-G	Galvanized Cast Iron	128.00
-P	Trap Primer Connection (Specify 1/2" [13mm] or 3/4" [19mm])	16.00
Ⓢ -SA	Stabilizer Assembly (See Z1035)	-
Ⓢ -SQ	Stabilizer Q-deck (See Z1035-Q)	-
Ⓢ -SR	Stabilizer Ring (See Z400-SR)	50.00
Ⓢ -TC	Neo-Loc Test Cap Gasket (2", 3", 4" NL Bottom Outlet Only)	18.00
-U	1"-3" [25mm-76mm] High Extension Adapter (See Z400-U)	D.C. 73.00 Galv. 205.00
	For each additional 1" [25mm] above 3" [76mm]	73.00
-VP	Vandal-Proof Secured Top	30.00
-Y	Sediment Bucket (Not Available with -V)	38.00
-90	90° Threaded Side Outlet Body (2" [51mm] and 3" [76mm] Only)	144.00
	For Side Outlet Body Assembly Only	263.00

*Regularly furnished unless otherwise specified.

Ⓢ This symbol denotes a product that is engineered to reduce installation and rework time.

For additional product information, please visit www.zurn.com

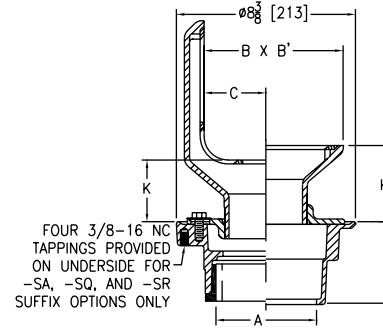
INTRO ROOF DRAINS FLOOR DRAINS T, P, BW VALVES INTERCEPTORS CARRIERS HYDRANTS CLEANOUTS W/HA SS DRAINS FAB SS DRAINS SANI-FLOOR TECH INFO

Z415 BODY ASSEMBLY WITH "TYPE K" STRAINER



ENGINEERING SPECIFICATION

Zurn ZN415K floor and shower drain features Dura-Coated cast iron body with bottom outlet, combination invertible membrane clamp and adjustable collar with seepage slots, and "Type K" polished, nickel bronze, angular, light-duty strainer.



Strainer Designation	Dimensions in inches [mm]							Str. Open Area sq in [cm ²]	Approximate Weight lb [kg]
	A Pipe Size	B x B'	C	K		K'			
				Min.	Max.	Min.	Max.		
-5K	2 [51], 3 [76], 4 [102]	3-3/4 [95] x 5 [127]	1-7/32 [31]	1 [25]	2 [51]	1-3/4 [44]	2-3/4 [70]	11 [71]	18 [8]
-7K		6-5/8 [143] x 7 [178]	2-15/16 [75]	2-3/16 [56]	3-3/8 [86]	2-7/8 [73]	4-1/8 [105]	29 [187]	25 [11]

PREFIXES	DESCRIPTION	STRAINER DESIG.	PIPE SIZE	LIST PRICE
ZN415*	D.C.C.I. Body Assembly with Polished Nickel Bronze Top	-5K	2", 3", 4"	921.00
		-7K	2", 3", 4"	973.00
ZB415	D.C.C.I. Body Assembly with Polished Bronze Top	-5K	2", 3", 4"	600.00
		-7K	2", 3", 4"	881.00
Z415	D.C.C.I. Body Assembly ONLY (add "-L/Top" to product sku)	No Strainer	2", 3", 4"	117.00

OUTLETS (SPECIFY PIPE SIZE IN INCHES AND TYPE OF OUTLET)				
OUTLET TYPE		PIPE SIZE/ OUTLET TYPE	E BODY HT. DIM.	ADD
IP	Threaded	2IP	2-7/16" [62mm]	72.00
		3IP	2-3/4" [70mm]	72.00
		4IP	2-13/16" [71mm]	72.00
NH	No-Hub	2NH, 3NH, 4NH	3-13/16" [97mm]	N/C
NL	Neo-Loc	2NL, 3NL, 4NL	3-7/8" [98mm]	30.00

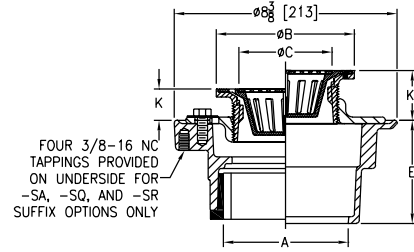
SUFFIXES		ADD	
-AR	Acid Resisting Epoxy Coated Cast Iron	248.00	
-G	Galvanized Cast Iron	128.00	
-P	Trap Primer Connection (Specify 1/2" [13mm] or 3/4" [19mm])	16.00	
Ⓞ -SA	Stabilizer Assembly (See Z1035)	-	
Ⓞ -SQ	Stabilizer Q-Deck (See Z1035-Q)	-	
Ⓞ -SR	Stabilizer Ring (See Z400-SR)	50.00	
Ⓞ -TC	Neo-Loc Test Cap Gasket (2", 3", 4" NL Bottom Outlet Only)	18.00	
-U	1"-3" [25mm-76mm] High Extension Adapter (See Z400-U)	D.C.	73.00
		Galv.	205.00
	For each additional 1" [25mm] above 3" [76mm]	73.00	
-V	Backwater Valve (Not Available with -Y)	266.00	
-VP	Vandal-Proof Secured Top	30.00	
-Y	Sediment Bucket (Not Available with -V)	38.00	
-90	90° Threaded Side Outlet Body Assembly (2" [51mm] and 3" [76mm] Only)	144.00	

Z415 BODY ASSEMBLY WITH "TYPE M" STRAINER AND SUR-SET BUCKET



ENGINEERING SPECIFICATION

Zurn ZN415M floor and shower drain features Dura-Coated cast iron body with bottom outlet, combination invertible membrane clamp and adjustable collar with seepage slots, and "Type M" polished nickel bronze strainer and Sur-Set bucket.



Strainer Designation	Dimensions in inches [mm]							Str. Open Area sq in [cm ²]	Approximate Weight lb [kg]
	A Pipe Size	B Diameter	C	K		K'			
				Min.	Max.	Min.	Max.		
-5M	2 [51], 3 [76], 4 [102]	5 [127]	3-1/2 [89]	7/8 [22]	1-5/8 [41]	1-3/16 [30]	2-3/8 [60]	4-1/2 [29]	11 [5]

PREFIXES	DESCRIPTION	STRAINER DESIG.	PIPE SIZE	LIST PRICE
ZN415*	D.C.C.I. Body Assembly with Polished Nickel Bronze Top	-5M	2", 3", 4"	761.00
ZB415	D.C.C.I. Body Assembly with Polished Bronze Top	-5M	2", 3", 4"	722.00
Z415	D.C.C.I. Body Assembly ONLY (add "-L/Top" to product sku)	No Strainer	2", 3", 4"	117.00

OUTLETS (SPECIFY PIPE SIZE IN INCHES AND TYPE OF OUTLET)				
OUTLET TYPE		PIPE SIZE/ OUTLET TYPE	E BODY HT. DIM.	ADD
IP	Threaded	2IP	2-7/16" [62mm]	72.00
		3IP	2-3/4" [70mm]	72.00
		4IP	2-13/16" [71mm]	72.00
NH	No-Hub	2NH, 3NH, 4NH	3-13/16" [97mm]	N/C
NL	Neo-Loc	2NL, 3NL, 4NL	3-7/8" [98mm]	30.00

SUFFIXES		ADD	
-G	Galvanized Cast Iron	128.00	
-P	Trap Primer Connection (Specify 1/2" [13mm] or 3/4" [19mm])	16.00	
Ⓢ -PC	Protective Cover	40.00	
Ⓢ -SA	Stabilizer Assembly (See Z1035)	-	
Ⓢ -SQ	Stabilizer Q-Deck (See Z1035-Q)	-	
Ⓢ -SR	Stabilizer Ring (See Z400-SR)	50.00	
Ⓢ -TC	Neo-Loc Test Cap Gasket (2", 3", 4" NL Bottom Outlet Only)	18.00	
-U	1"-3" [25mm-76mm] High Extension Adapter (See Z400-U)	D.C.	73.00
		Galv.	205.00
	For each additional 1" [25mm] above 3" [76mm]	73.00	
-VP	Vandal-Proof Secured Top	30.00	

*Regularly furnished unless otherwise specified.

Ⓢ This symbol denotes a product that is engineered to reduce installation and rework time.

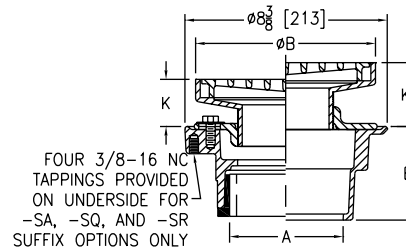
For additional product information, please visit www.zurn.com

Z415 BODY ASSEMBLY WITH "TYPE N" STRAINER



ENGINEERING SPECIFICATION

Zurn Z415N floor and shower drain features Dura-Coated cast iron body with bottom outlet, combination invertible membrane clamp and adjustable collar with seepage slots, and "Type N" D.C.C.I. light-duty strainer with deep flanged grate.



Strainer Designation	Dimensions in inches [mm]						Str. Open Area sq in [cm ²]	Approximate Weight lb [kg]
	A Pipe Size	B Diameter	K		K'			
			Min.	Max.	Min.	Max.		
-7N	2 [51], 3 [76], 4 [102]	7 [178]	1-9/16 [40]	2-3/8 [60]	1-7/8 [48]	3-1/8 [79]	12 [77]	17 [8]
-9N	6 [152]	9 [229]	1-11/16 [43]	2-5/8 [67]	2-3/16 [56]	3-3/8 [86]	23 [148]	21 [10]
								23 [10]

PREFIXES	DESCRIPTION	STRAINER DESIG.	PIPE SIZE	LIST PRICE
Z415*	D.C.C.I. Body Assembly with Dura-Coated Top	-7N	2", 3", 4"	425.00
		-9N	2", 3", 4"	521.00
			6"	950.00
ZB415	D.C.C.I. Body Assembly with Polished Bronze Top	-7N	2", 3", 4"	804.00
		-9N	2", 3", 4"	1,126.00
			6"	1,554.00
ZN415	D.C.C.I. Body Assembly with Polished Nickel Bronze Top	-7N	2", 3", 4"	878.00
		-9N	2", 3", 4"	1,217.00
			6"	1,646.00
Z415	D.C.C.I. Body Assembly ONLY (add "-L/Top" to product sku)	No Strainer	2", 3", 4"	117.00
			2", 3", 4"	117.00
			6"	334.00

OUTLETS (SPECIFY PIPE SIZE IN INCHES AND TYPE OF OUTLET)			
OUTLET TYPE	PIPE SIZE/ OUTLET TYPE	E BODY HT. DIM.	ADD
IP	Threaded	2IP	2-7/16" [62mm]
		3IP	2-3/4" [70mm]
		4IP	2-13/16" [71mm]
		6IP	2-7/8" [73mm]
			3-13/16" [97mm]
NH	No-Hub	2NH, 3NH, 4NH	N/C
NL	Neo-Loc	2NL, 3NL, 4NL	30.00

SUFFIXES	ADD
-AR	Acid Resisting Epoxy Coated Cast Iron 248.00
-DG	Duresist Grate 98.00
	7" [178mm]
	9" [229mm]
-G	Galvanized Cast Iron 128.00
-P	Trap Primer Connection (Specify 1/2" [13mm] or 3/4" [19mm]) 16.00
Ⓞ -SA	Stabilizer Assembly (See Z1035) -
Ⓞ -SQ	Stabilizer Q-Deck (See Z1035-Q) -
Ⓞ -SR	Stabilizer Ring (See Z400-SR) 50.00
Ⓞ -TC	Neo-Loc Test Cap Gasket (2", 3", 4" NL Bottom Outlet Only) 18.00
-TS	Top Secured with Slotted Screws 42.00
-U	1"-3" [25mm-76mm] High Extension Adapter (See Z400-U) 76.00
	D.C. Galv. 205.00
	For each additional 1" [25mm] above 3" [76mm] 76.00
-V	Backwater Valve (Not Available with -Y) 266.00
-VP	Vandal-Proof Secured Top 30.00
-Y	Sediment Bucket (Not Available with -V) 38.00
-90	90° Threaded Side Outlet Body Assembly (2" [51mm] and 3" [76mm] Only) 144.00

ZN415-R FLOOR DRAIN WITH CIRCULAR ADJUSTABLE STRAINER WITH SURFACE CLAMP RING AND GRATE

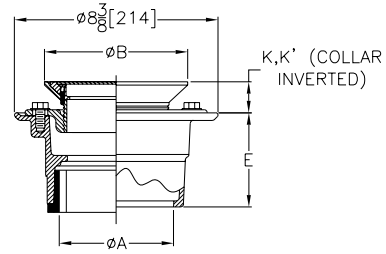


ENGINEERING SPECIFICATION

Zurn ZN415-R Floor and Shower Drain features a Dura-Coated cast iron body with bottom outlet, combination invertible membrane clamp and adjustable collar with seepage holes, and "Type R" polished nickel bronze strainer (surface clamp ring and grate).

NOTES

For other available strainer variations see Z400 Strainer Series. Add price for required strainer to "BODY ONLY" price in chart. Specify type and size required.



Strainer Designation	Dimensions in inches [mm]						Str. Open Area sq in [cm ²]	Approximate Weight lb [kg]
	A Pipe Size	B Diameter	K		K'			
			Min.	Max.	Min.	Max.		
-6R	2 [51], 3 [76], 4 [102]	6 [152]	1-1/8 [29]	2-3/8 [60]	1-3/4 [44]	2-7/8 [73]	8 [52]	11 [5]
-9R	2 [51], 3 [76], 4 [102]	9 [229]					17 [110]	13 [6]

PREFIXES	DESCRIPTION	STRAINER DESIG.	PIPE SIZE	LIST PRICE
ZN415	D.C.C.I. Body Assembly with Polished Nickel Bronze Top	-6R	2", 3", 4"	500.00
		-9R	2", 3", 4"	824.00

OUTLETS (SPECIFY PIPE SIZE IN INCHES AND TYPE OF OUTLET)				
OUTLET TYPE		PIPE SIZE/OUTLET TYPE	E BODY HT. DIM.	ADD
IC	Inside Caulk	2IC, 3IC, 4IC	3-7/8" [98mm]	N/C
IG	Inside Gasket	2IG, 3IG, 4IG	3-7/8" [98mm]	30.00
IP	Threaded	2IP, 3IP, 4IP, 6IP	2-5/8" [67mm]	72.00
NH	No-Hub	2NH, 3NH, 4NH	3-7/8" [98mm]	N/C
		6NH (6IP with Z1040)	5-1/2" [140mm]	263.00
NL	Neo-Loc	2NL, 3NL, 4NL	4-5/8" [117mm]	30.00

SUFFIXES		ADD
-AR	Acid Resisting Epoxy Coated Cast Iron	248.00
-EF	3/8" [10mm] Extension Frame	168.00
-FS	Floating Slab	341.00
-G	Galvanized Cast Iron	128.00
-P	Trap Primer Connection (Specify 1/2" [13mm] or 3/4" [19mm])	16.00
Ⓢ -SA	Stabilizer Assembly (See Z1035)	-
Ⓢ -SQ	Stabilizer Q-Deck (See Z1035-Q)	-
Ⓢ -SR	Stabilizer Ring (See Z400-SR)	50.00
Ⓢ -ST	Solid Top (6" [152mm] Only)	131.00
Ⓢ -TC	Neo-Loc Test Cap Gasket (2", 3", 4" NL Bottom Outlet Only)	18.00
-U	1"-3" [25mm-76mm] High Extension Adapter	D.C. 76.00
	(See Z400-U)	Galv. 205.00
	For each additional 1" [25mm] above 3" [76mm]	76.00
-VP	Vandal-Proof Secured Top	30.00
-Y	Sediment Bucket (Not Available with -V)	38.00
-414	4" [102mm] Diameter Nickel Bronze Funnel	179.00
-90	90° Threaded Side Outlet Body (2" [51mm] and 3" [76mm] Only)	144.00
	For Side Outlet Body Assembly Only	263.00

*Regularly furnished unless otherwise specified.

Ⓢ This symbol denotes a product that is engineered to reduce installation and rework time.

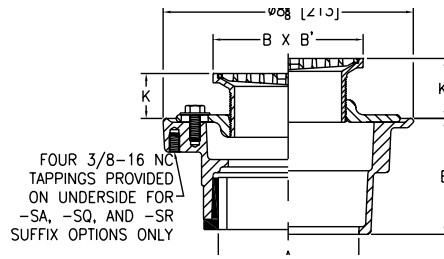
For additional product information, please visit www.zurn.com

Z415 BODY ASSEMBLY WITH "TYPE S" STRAINER



ENGINEERING SPECIFICATION

Zurn ZN415S floor and shower drain features Dura-Coated cast iron body with bottom outlet, combination invertible membrane clamp and adjustable collar with seepage slots, and "Type S" polished, nickel bronze, square heel-proof, light-duty strainer.



Strainer Designation	Dimensions in inches [mm]						Str. Open Area sq in [cm ²]	Approximate Weight lb [kg]
	A Pipe Size	B x B' Strainer Top Size	K		K'			
			Min.	Max.	Min.	Max.		
-5S	2 [51], 3 [76]	5 x 5 [127]	1 [25]	1-19/32 [40]	1-1/4 [32]	2-3/8 [60]	9 [58]	12 [5]
-6S	2 [51], 3 [76], 4 [102]	6 x 6 [152]		1-27/32 [47]	1-13/32 [36]	2-19/32 [66]	13 [84]	13 [6]
-7S		7 x 7 [178]	1-7/8 [48]	1-3/8 [35]	2-5/8 [67]	21 [135]	14 [6]	
-8S	3 [76], 4 [102]	8 x 8 [203]		1-3/4 [44]		28 [181]	15 [7]	
-10S	6 [152]	10 x 10 [254]				21 [10]		

PREFIXES	DESCRIPTION	STRAINER DESIG.	PIPE SIZE	LIST PRICE
ZN415*	D.C.C.I. Body Assembly with Polished Nickel Bronze Top	-5S	2", 3"	507.00
		-6S	2", 3", 4"	565.00
		-7S	2", 3", 4"	678.00
		-8S	3", 4"	819.00
		-10S	6"	1,731.00
ZB415	D.C.C.I. Body Assembly with Polished Bronze Top	-5S	2", 3"	465.00
		-6S	2", 3", 4"	534.00
		-7S	2", 3", 4"	635.00
		-8S	3", 4"	743.00
		-10S	6"	1,215.00
Z415	D.C.C.I. Body Assembly ONLY (add "-L/Top" to product sku)	No Strainer	2", 3", 4"	117.00
			6"	334.00

OUTLETS (SPECIFY PIPE SIZE IN INCHES AND TYPE OF OUTLET)				
OUTLET TYPE		PIPE SIZE/ OUTLET TYPE	E BODY HT. DIM.	ADD
IC	Inside Caulk	2IC, 3IC, 4IC	3-7/8" [98mm]	N/C
IG	Inside Gasket	2IG, 3IG, 4IG	3-7/8" [98mm]	30.00
IP	Threaded	2IP	2-3/8" [60mm]	72.00
		3IP	2-5/8" [67mm]	72.00
		4IP	2-7/8" [73mm]	72.00
		6IP	2-3/4" [70mm]	72.00
NH	No-Hub	2NH, 3NH, 4NH	3-7/8" [98mm]	N/C
		6NH (6IP with Z1040)	5-1/2" [140mm]	263.00
NL	Neo-Loc	2NL, 3NL, 4NL	3-3/4" [95mm]	30.00

SUFFIXES		ADD	
-AR	Acid Resisting Epoxy Coated Cast Iron	248.00	
-CP	Chrome-Plated Bronze Top	20.00	
-G	Galvanized Cast Iron	128.00	
-HD	Heavy-Duty Grate (ZN 6" x 6" [152mm x 152mm] only)	160.00	
-P	Trap Primer Connection (Specify 1/2" [13mm] or 3/4" [19mm])	16.00	
Ⓢ -PC	Protective Cover	40.00	
Ⓢ -SA	Stabilizer Assembly (See Z1035)	-	
Ⓢ -SQ	Stabilizer Q-Deck (See Z1035-Q)	-	
Ⓢ -TC	Neo-Loc Test Cap Gasket (2", 3", 4" NL Bottom Outlet Only)	18.00	
-U	1"-3" [25mm-76mm] High Extension Adapter (See Z400-U)	D.C.	76.00
		Galv.	205.00
	For each additional 1" [25mm] above 3" [76mm]	76.00	
-V	Backwater Valve (Not Available with -Y)	266.00	
-VP	Vandal-Proof Secured Top	30.00	
-Y	Sediment Bucket (Not Available with -V)	38.00	
-90	90° Threaded Side Outlet Body (2" [51mm] and 3" [76mm] Only)	144.00	
	For Side Outlet Body Assembly Only	263.00	

For additional product information, please visit www.zurn.com

*Regularly furnished unless otherwise specified.

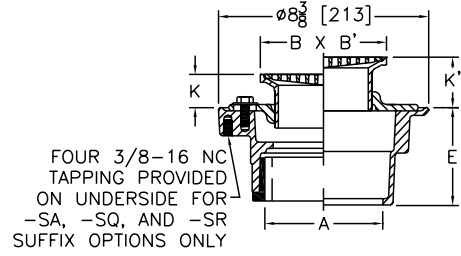
Ⓢ This symbol denotes a product that is engineered to reduce installation and rework time.

ZS415 BODY ASSEMBLY WITH "TYPE SS" STRAINER



ENGINEERING SPECIFICATION

Zurn ZS415SS floor and shower drain features Dura-Coated cast iron body with bottom outlet, combination invertible membrane clamp and adjustable collar with seepage slots, and "Type SS" heel-proof, stainless steel, medium-duty square strainer.



Strainer Designation	Dimensions in inches [mm]						Str. Open Area sq in [cm ²]	Approximate Weight lb [kg]
	A Pipe Size	B x B' Strainer Top Size	K		K'			
			Min.	Max.	Min.	Max.		
-5SS	2 [51], 3 [76]	5 x 5 [127]	1 [25]	1-19/32 [40]	1-1/4 [32]	2-3/8 [60]	8-1/2 [55]	11 [5]
-6SS	2 [51], 3 [76], 4 [102]	6 x 6 [152]		1-27/32 [47]	1-13/32 [36]	2-19/32 [66]	13 [84]	12 [5]
-8SS	3 [76], 4 [102]	8 x 8 [203]	1-3/32 [27]	1-7/8 [48]	1-3/4 [44]	2-5/8 [67]	24-1/2 [158]	15 [7]

PREFIXES	DESCRIPTION	STRAINER DESIG.	PIPE SIZE	LIST PRICE
ZS415*	D.C.C.I. Body Assembly with Square Type 304 (CF8) Stainless Steel Top	-5SS	2", 3"	416.00
		-6SS	2", 3", 4"	428.00
		-8SS	3", 4"	828.00
ZM415	D.C.C.I. Body Assembly with Square Type 316 (CF8M) Stainless Steel Top	-5SS	2", 3"	POA
		-6SS	2", 3", 4"	POA
		-8SS	3", 4"	POA
Z415	D.C.C.I. Body Assembly ONLY (add "-L/Top" to product sku)	No Strainer	2", 3", 4"	117.00

OUTLETS (SPECIFY PIPE SIZE IN INCHES AND TYPE OF OUTLET)				
OUTLET TYPE		PIPE SIZE/ OUTLET TYPE	E BODY HT. DIM.	ADD
IP	Threaded	2IP	2-7/16" [62mm]	72.00
		3IP	2-3/4" [70mm]	72.00
		4IP	2-13/16" [71mm]	72.00
NH	No-Hub	2NH, 3NH, 4NH	3-13/16" [97mm]	N/C
NL	Neo-Loc	2NL, 3NL, 4NL	3-7/8" [98mm]	30.00

SUFFIXES		ADD
-AR	Acid Resisting Epoxy Coated Cast Iron	248.00
-G	Galvanized Cast Iron	128.00
-P	Trap Primer Connection (Specify 1/2" [13mm] or 3/4" [19mm])	16.00
-TC	Neo-Loc Test Cap Gasket (2", 3", 4" NL Bottom Outlet Only)	18.00
-U	1"-3" [25mm-76mm] High Extension Adapter (See Z400-U)	D.C. 76.00
		Galv. 205.00
	For each additional 1" [25mm] above 3" [76mm]	76.00
-V	Backwater Valve (Not Available with -Y)	266.00
-VP	Vandal-Proof Secured Top	30.00
-Y	Sediment Bucket (Not Available with -V)	38.00

*Regularly furnished unless otherwise specified.

⌚ This symbol denotes a product that is engineered to reduce installation and rework time.

For additional product information, please visit www.zurn.com

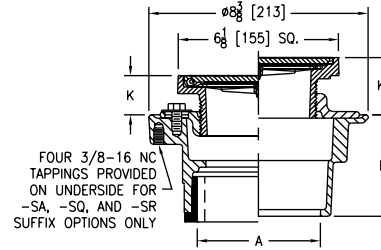
INTRO ROOF DRAINS FLOOR DRAINS T, P, BW VALVES INTERCEPTORS CARRIERS HYDRANTS CLEANOUTS W/HA SS DRAINS FAB SS DRAINS SAN-FLOOR TECH INFO

Z415 BODY ASSEMBLY WITH "TYPE SC" STRAINER



ENGINEERING SPECIFICATION

Zurn ZN415SC floor and shower drain features Dura-Coated cast iron body with bottom outlet, combination invertible membrane clamp, adjustable collar with seepage slots, and "Type SC" polished, nickel bronze strainer with flashing clamp device and adjustable strainer top with scoriated, hinged, light-duty cover.



Strainer Designation	Dimensions in inches [mm]					Approximate Weight lb [kg]
	A Pipe Size	K		K'		
		Min.	Max.	Min.	Max.	
-6SC	2 [51], 3 [76], 4 [102]	1-3/16 [30]	1-15/16 [152]	1-3/4 [44]	2-7/8 [73]	16 [7]

PREFIXES	DESCRIPTION	STRAINER DESIG.	PIPE SIZE	LIST PRICE
ZN415*	D.C.C.I. Body Assembly with Polished Nickel Bronze Top	-6SC	2", 3", 4"	905.00
ZB415	D.C.C.I. Body Assembly with Polished Bronze Top	-6SC	2", 3", 4"	781.00
Z415	D.C.C.I. Body Assembly ONLY (add "-L/Top" to product sku)	No Strainer	2", 3", 4"	117.00

OUTLETS (SPECIFY PIPE SIZE IN INCHES AND TYPE OF OUTLET)				
OUTLET TYPE		PIPE SIZE/ OUTLET TYPE	E BODY HT. DIM.	ADD
NH	No-Hub	2NH, 3NH, 4NH	3-13/16" [97mm]	N/C
NL	Neo-Loc	2NL, 3NL, 4NL	3-7/8" [98mm]	30.00

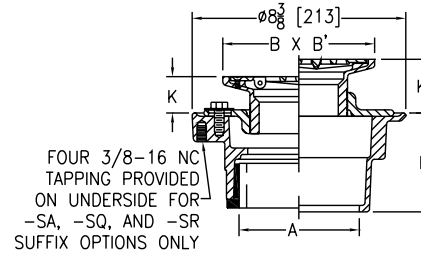
SUFFIXES		ADD
-AR	Acid Resisting Epoxy Coated Cast Iron	248.00
-CP	Chome-Plated Bronze Top	20.00
-G	Galvanized Cast Iron	128.00
-GC	Gasketed Cover	52.00
-LR	Lift Ring	174.00
-P	Trap Primer Connection (Specify 1/2" [13mm] or 3/4" [19mm])	16.00
Ⓞ -SA	Stabilizer Assembly (See Z1035)	-
Ⓞ -SQ	Stabilizer Q-deck (See Z1035-Q)	-
Ⓞ -SR	Stabilizer Ring (See Z400-SR)	50.00
Ⓞ -TC	Neo-Loc Test Cap Gasket (2", 3", 4" NL Bottom Outlet Only)	18.00
-TS	Top Secured with Slotted Screw	30.00
-U	1"-3" [25mm-76mm] High Extension Adapter (See Z400-U)	D.C. 76.00 Galv. 205.00
	For each additional 1" [25mm] above 3" [76mm]	76.00
-VP	Vandal-Proof Secured Top	30.00
-Y	Sediment Bucket (Not Available with -V)	144.00

Z415 BODY ASSEMBLY WITH "TYPE SH" STRAINER



ENGINEERING SPECIFICATION

Zurn ZN415SH floor and shower drain features Dura-Coated cast iron body with bottom outlet, combination invertible membrane clamp and adjustable collar with seepage slots, and "Type SH" polished, nickel bronze, square, hinged, light-duty strainer.



Strainer Designation	Dimensions in inches [mm]						Str. Open Area sq in [cm ²]	Approximate Weight lb [kg]
	A Pipe Size	B x B' Strainer Top Size	K		K'			
			Min.	Max.	Min.	Max.		
-6SH	2 [51], 3 [76], 4 [102]	6 x 6 [152]	1 [25]	1-7/8 [48]	1-3/4 [44]	2-5/8 [67]	12 [77]	13 [6]
-8SH			1-5/32 [29]	2 [51]	2 [51]	3-3/4 [95]	21 [135]	17 [8] 19 [9]

PREFIXES	DESCRIPTION	STRAINER DESIG.	PIPE SIZE	LIST PRICE
ZN415*	D.C.C.I. Body Assembly with Polished Nickel Bronze Top	-6SH	2", 3", 4"	688.00
		-8SH	2", 3", 4"	940.00
			6"	1,369.00
ZB415	D.C.C.I. Body Assembly with Polished Bronze Top	-6SH	2", 3", 4"	661.00
		-8SH	2", 3", 4"	866.00
			6"	1,294.00
Z415	D.C.C.I. Body Assembly ONLY (add "-L/Top" to product sku)	No Strainer	2", 3", 4"	117.00
			6"	334.00

OUTLETS (SPECIFY PIPE SIZE IN INCHES AND TYPE OF OUTLET)				
OUTLET TYPE		PIPE SIZE/ OUTLET TYPE	E BODY HT. DIM.	ADD
IP	Threaded	2IP	2-7/16" [62mm]	72.00
		3IP	2-3/4" [70mm]	72.00
		4IP	2-13/16" [71mm]	72.00
		6IP	2-7/8" [73mm]	72.00
NH	No-Hub	2NH, 3NH, 4NH	3-13/16" [97mm]	N/C
NL	Neo-Loc	2NL, 3NL, 4NL	3-7/8" [98mm]	30.00

SUFFIXES		ADD
-AR	Acid Resisting Epoxy Coated Cast Iron	248.00
-G	Galvanized Cast Iron	128.00
-P	Trap Primer Connection (Specify 1/2" [13mm] or 3/4" [19mm])	16.00
⌚ -SA	Stabilizer Assembly (See Z1035)	-
⌚ -SQ	Stabilizer Q-deck (See Z1035-Q)	-
⌚ -SR	Stabilizer Ring (See Z400-SR)	50.00
⌚ -TC	Neo-Loc Test Cap Gasket (2", 3", 4" NL Bottom Outlet Only)	18.00
-U	1"-3" [25mm-76mm] High Extension Adapter (See Z400-U)	D.C. 76.00 Galv. 205.00
	For each additional 1" [25mm] above 3" [76mm]	76.00
-V	Backwater Valve (Not Available with -Y)	395.00
-VP	Vandal-Proof Secured Top	44.00
-Y	Sediment Bucket (Not Available with -V)	51.00
-90	90° Threaded Side Outlet Body Assembly (2" [51mm] and 3" [76mm] Only)	144.00

*Regularly furnished unless otherwise specified.

⌚ This symbol denotes a product that is engineered to reduce installation and rework time.

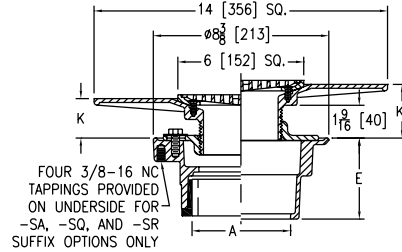
For additional product information, please visit www.zurn.com

Z415 BODY ASSEMBLY WITH "TYPE SL" STRAINER



ENGINEERING SPECIFICATION

Zurn ZN415SL floor and shower drain features Dura-Coated cast iron body with bottom outlet, combination invertible membrane clamp and adjustable collar with seepage slots, and "Type SL" polished, nickel bronze square, wide flanged, light-duty strainer.



Strainer Designation	Dimensions in inches [mm]					Str. Open Area sq in [cm ²]	Approximate Weight lb [kg]
	A Pipe Size	K		K'			
		Min.	Max.	Min.	Max.		
-6SL	2 [51], 3 [76], 4 [102]	1-1/4 [32]	2-15/16 [75]	1-3/4 [44]	3-1/6 [80]	14 [90]	21 [10]

PREFIXES	DESCRIPTION	STRAINER DESIG.	PIPE SIZE	LIST PRICE
ZN415*	D.C.C.I. Body Assembly with Polished Nickel Bronze Top	-6SL	2", 3", 4"	1,096.00
ZB415	D.C.C.I. Body Assembly with Polished Bronze Top	-6SL	2", 3", 4"	1,050.00
Z415	D.C.C.I. Body Assembly ONLY (add "-L/Top" to product sku)	No Strainer	2", 3", 4"	117.00

OUTLETS (SPECIFY PIPE SIZE IN INCHES AND TYPE OF OUTLET)				
OUTLET TYPE		PIPE SIZE/ OUTLET TYPE	E BODY HT. DIM.	ADD
IC	Inside Caulk	2IC, 3IC, 4IC	4-13/16" [122mm]	N/C
IP	Threaded	2IP	2-7/16" [62mm]	72.00
		3IP	2-3/4" [70mm]	72.00
		4IP	2-13/16" [71mm]	72.00
NH	No-Hub	2NH, 3NH, 4NH	3-13/16" [97mm]	N/C
NL	Neo-Loc	2NL, 3NL, 4NL	3-7/8" [98mm]	30.00

SUFFIXES		ADD
-AR	Acid Resisting Epoxy Coated Cast Iron	248.00
-CP	Chrome-Plated Bronze Top	20.00
-G	Galvanized Cast Iron	116.00
-P	Trap Primer Connection (Specify 1/2" [13mm] or 3/4" [19mm])	16.00
Ⓢ -PC	Protective Cover	40.00
Ⓢ -TC	Neo-Loc Test Cap Gasket (2", 3", 4" NL Bottom Outlet Only)	18.00
-U	1"-3" [25mm-76mm] High Extension Adapter (See Z400-U)	D.C. 76.00
		Galv. 205.00
	For each additional 1" [25mm] above 3" [76mm]	76.00
-V	Backwater Valve (Not Available with -Y)	266.00
-VP	Vandal-Proof Secured Top	30.00
-Y	Sediment Bucket (Not Available with -V)	38.00
-90	90° Threaded Side Outlet Body Assembly (2" [51mm] and 3" [76mm] Only)	144.00

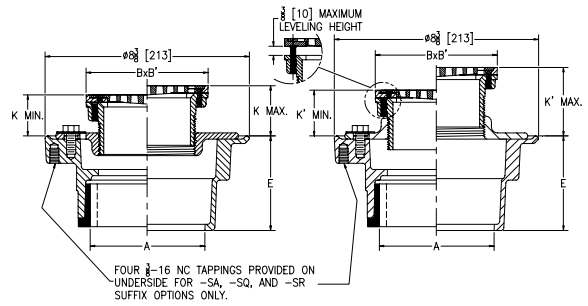
🕒 Z415 BODY ASSEMBLY WITH "TYPE SZ" LEVELING STRAINER



Patented

ENGINEERING SPECIFICATION

Zurn ZN415SZ Floor and shower drain features Dura-Coated cast iron body with bottom outlet, combination invertible membrane clamp, and adjustable collar with seepage slots and "Type SZ" polished nickel bronze, light-duty, square leveling strainer.



Strainer Designation	Dimensions in inches [mm]						Str. Open Area sq in [cm ²]	Approximate Weight lb [kg]
	A Pipe Size	B x B' Strainer Top Size	K		K'			
			Min.	Max.	Min.	Max.		
-5SZ	2 [51], 3 [76]	5 x 5 [127]	1-11/16 [43]	2-1/16 [52]	1-13/16 [46]	2-13/16 [71]	8 [52]	11 [5]
-6SZ	2 [51], 3 [76], 4 [102]	6 x 6 [152]					13 [84]	13 [6]

PREFIXES	DESCRIPTION	STRAINER DESIG.	PIPE SIZE	LIST PRICE
ZN415*	D.C.C.I. Body Assembly with Polished Nickel Bronze Top	-5SZ	2", 3"	534.00
		-6SZ	2", 3", 4"	567.00
ZB415	D.C.C.I. Body Assembly with Polished Bronze Top	-5SZ	2", 3"	556.00
		-6SZ	2", 3", 4"	628.00
ZS415	D.C.C.I. Body Assembly with Polished Type 304 (CF8) Stainless Steel Top	-5SZ	2", 3"	POA
		-6SZ	2", 3", 4"	POA
Z415	D.C.C.I. Body Assembly ONLY (add "-L/Top" to product sku)	No Strainer	2", 3", 4"	117.00
			6"	334.00
OUTLETS (SPECIFY PIPE SIZE IN INCHES AND TYPE OF OUTLET)				
OUTLET TYPE		PIPE SIZE/ OUTLET TYPE	E BODY HT. DIM.	ADD
IC	Inside Caulk	2IC, 3IC, 4IC	4-13/16" [122mm]	N/C
IG	Inside Gasket	2IG, 3IG, 4IG	4-13/16" [122mm]	30.00
IP	Threaded	2IP	2-7/16" [62mm]	72.00
		3IP	2-3/4" [70mm]	72.00
		4IP	2-13/16" [71mm]	72.00
NH	No-Hub	2NH, 3NH, 4NH	3-13/16" [97mm]	N/C
NL	Neo-Loc	2NL, 3NL, 4NL	3-7/8" [98mm]	30.00

SUFFIXES		ADD
-AA	All Acid Resisting Epoxy	258.00
-AR	Acid Resisting Epoxy Coated Cast Iron	248.00
-CP	Chrome-Plated Bronze Top	20.00
-DP	Decorative Polished Top	134.00
-G	Galvanized Cast Iron	156.00
-P	Trap Primer Connection (Specify 1/2" [13mm] or 3/4" [19mm])	N/C
🕒 -PC	Protective Cover	50.00
🕒 -SA	Stabilizer Assembly (See Z1035)	-
🕒 -SQ	Stabilizer Q-deck (See Z1035-Q)	-
🕒 -SR	Stabilizer Ring (See Z400-SR)	50.00
🕒 -TC	Neo-Loc Test Cap Gasket (2", 3", 4" NL Bottom Outlet Only)	18.00
-U	1"-3" [25mm-76mm] High Extension Adapter (See Z400-U)	D.C. 76.00
		Galv. 205.00
	For each additional 1" [25mm] above 3" [76mm]	76.00
-V	Backwater Valve (Not Available with -Y)	266.00
-VP	Vandal-Proof Secured Top	30.00
-Y	Sediment Bucket (Not Available with -V)	38.00
-90	90° Threaded Side Outlet Body Assembly (2" [51mm] and 3" [76mm] Only)	144.00

*Regularly furnished unless otherwise specified.

🕒 This symbol denotes a product that is engineered to reduce installation and rework time.

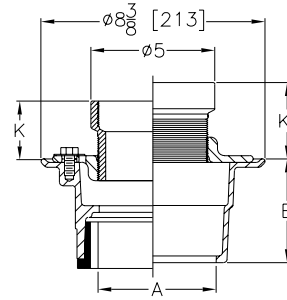
For additional product information, please visit www.zurn.com

Z415-U BODY ASSEMBLY WITH "TYPE U" HUB FUNNEL



ENGINEERING SPECIFICATION

Zurn ZN415-U Hub Floor Drain, Dura-Coated cast iron body with bottom outlet, combination invertible membrane clamp and adjustable collar with seepage holes, and "Type U" circular adjustable hub funnel (specify Dura-Coat or nickel bronze).



Strainer Designation	Dimensions in inches [mm]					Approximate Weight lb [kg]
	A Pipe Size	K		K'		
		Min.	Max.	Min.	Max.	
-5U	2 [51], 3 [76], 4 [102] 6 [152]	1-3/8 [35]	2-1/2 [64]	2-1/4 [57]	3-3/8 [86]	10 [5]

PREFIXES	DESCRIPTION	PIPE SIZE	LIST PRICE
ZN415-U*	D.C.C.I. Body Assembly with Polished Nickel Bronze Top	2", 3", 4" 6"	522.00 536.00
Z415-U	D.C.C.I. Body Assembly	2", 3", 4" 6"	189.00 405.00

OUTLETS (SPECIFY PIPE SIZE IN INCHES AND TYPE OF OUTLET)				
OUTLET TYPE		PIPE SIZE/ OUTLET TYPE	E BODY HT. DIM.	ADD
IC	Inside Caulk	2IC, 3IC, 4IC	3-7/8" [98mm]	N/C
IG	Inside Gasket	2IG, 3IG, 4IG	3-7/8" [98mm]	N/C
IP	Threaded	2IP, 3IP, 4IP, 6IP	2-5/8" [67mm]	72.00
NH	No-Hub	2NH, 3NH, 4NH	3-7/8" [98mm]	N/C
		6NH (6IP with Z1040)	5-1/2" [140mm]	N/C
NL	Neo-Loc	2NL, 3NL, 4NL	4-5/8" [117mm]	30.00

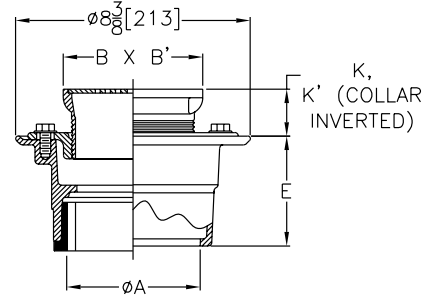
SUFFIXES		ADD
-AR	Acid Resisting Epoxy Coated Cast Iron	249.00
-FS	Floating Slab	341.00
-G	Galvanized Cast Iron	128.00
-P	1/2" [13mm] Trap Primer Connection	16.00
-SR	Stabilizer Ring (See Z400-SR)	50.00
-U	1"-3" [25mm-76mm] High Extension Adapter (See Z400-U)	D.C. 76.00 Galv. 205.00
	For each additional 1" [25mm] above 3" [76mm]	76.00
-VP	Vandal-Proof Secured Top	30.00
-Y	Sediment Bucket (Not Available with -V)	38.00
-90	90° Threaded Side Outlet Body Assembly (2" [51mm] and 3" [76mm] Only)	144.00

ZN415-Y FLOOR DRAIN WITH NICKEL BRONZE SQUARE STRAINER



ENGINEERING SPECIFICATION

Zurn ZN415-Y Floor and Shower Drain features a Dura-Coated cast iron body with bottom outlet, combination invertible membrane clamp and adjustable collar with seepage holes, and "Type Y" polished nickel bronze square strainer.



Strainer Designation	Dimensions in inches [mm]						Str. Open Area sq in [cm ²]	Approximate Weight lb [kg]
	A Pipe Size	B x B' Strainer Top Size	K		K'			
			Min.	Max.	Min.	Max.		
-5Y	2 [51], 3 [76], 4 [102]	5 x 5 [127]	1-1/4 [32]	2-1/8 [54]	2 [51]	2-7/8 [73]	9 [58]	10 [5]
-6Y	2 [51], 3 [76], 4 [102]	6 x 6 [152]					12 [77]	

PREFIXES	DESCRIPTION	STRAINER DESIG.	PIPE SIZE	LIST PRICE
ZN415*	D.C.C.I. Body Assembly with Polished Nickel Bronze Top	-5Y	2", 3", 4"	351.00
		-6Y	2", 3", 4"	520.00

OUTLETS (SPECIFY PIPE SIZE IN INCHES AND TYPE OF OUTLET)				
OUTLET TYPE		PIPE SIZE/OUTLET TYPE	E BODY HT. DIM.	ADD
IC	Inside Caulk	2IC, 3IC, 4IC	3-7/8" [98mm]	N/C
IG	Inside Gasket	2IG, 3IG, 4IG	3-7/8" [98mm]	30.00
IP	Threaded	2IP, 3IP, 4IP	2-3/8" [60mm]	72.00
NH	No-Hub	2NH, 3NH, 4NH	3-7/8" [98mm]	N/C
NL	Neo-Loc	2NL, 3NL, 4NL	3-3/4" [95mm]	30.00

SUFFIXES		ADD
-AR	Acid Resisting Epoxy Coated Cast Iron	249.00
-FS	Floating Slab	341.00
-G	Galvanized Cast Iron	128.00
-P	1/2" [13mm] Trap Primer Connection	16.00
Ⓢ -SA	Stabilizer Assembly (See Z1035)	-
Ⓢ -SQ	Stabilizer Q-Deck (See Z1035-Q)	-
Ⓢ -SR	Stabilizer Ring (See Z400-SR)	50.00
Ⓢ -TC	Neo-Loc Test Cap Gasket (2", 3", 4" NL Bottom Outlet Only)	18.00
-U	1"-3" [25mm-76mm] High Extension Adapter	D.C. 76.00
	(See Z400-U)	Galv. 205.00
	For each additional 1" [25mm] above 3" [76mm]	76.00
-VP	Vandal-Proof Secured Top	30.00
-Y	Sediment Bucket (Not Available with -V)	38.00
-414	4" [102mm] Diameter Nickel Bronze Funnel	179.00
-90	90° Threaded Side Outlet Body (2" [51mm] and 3" [76mm] Only)	144.00
	For Side Outlet Body Assembly Only	263.00

*Regularly furnished unless otherwise specified.

Ⓢ This symbol denotes a product that is engineered to reduce installation and rework time.

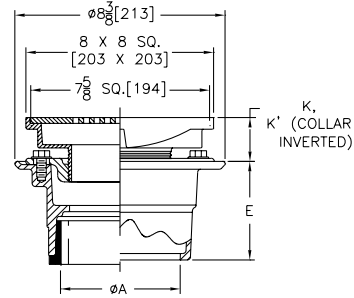
For additional product information, please visit www.zurn.com

ZX(N)415-Y8 FLOOR DRAIN WITH HEAVY-DUTY SQUARE ADJUSTABLE CAST IRON STRAINER



ENGINEERING SPECIFICATION

Zurn ZN415-Y8 Floor and Shower Drain features a Dura-Coated cast iron body with bottom outlet, combination invertible membrane clamp and adjustable collar with seepage holes, and "Type Y8" heavy-duty Dura-Coated cast iron strainer.



Strainer Designation	Dimensions in inches [mm]				Str. Open Area sq in [cm ²]	Approximate Weight lb [kg]
	A Pipe Size	B x B' Strainer Top Size	K			
			Min.	Max.		
-Y8	2 [51], 3 [76], 4 [102]	8 x 8 [204]	2-3/8 [60]	3-1/2 [89]	26 [168]	14 [6]

PREFIXES	DESCRIPTION	STRAINER DESIG.	PIPE SIZE	LIST PRICE
ZX415*	D.C.C.I. Body Assembly with Heavy-Duty Dura-Coated Cast Iron Top	-Y8	2", 3", 4"	327.00
ZXN415*	D.C.C.I. Body Assembly with Polished Nickel Bronze Top	-Y8	2", 3", 4"	650.00
Z415	D.C.C.I. Body Assembly ONLY (add "-L/Top" to product sku)	No Strainer	2", 3", 4" 6"	117.00 334.00

OUTLETS (SPECIFY PIPE SIZE IN INCHES AND TYPE OF OUTLET)				
OUTLET TYPE		PIPE SIZE/OUTLET TYPE	E BODY HT. DIM.	ADD
IC	Inside Caulk	2IC, 3IC, 4IC	3-7/8" [98mm]	N/C
IG	Inside Gasket	2IG, 3IG, 4IG	3-7/8" [98mm]	30.00
IP	Threaded	2IP, 3IP, 4IP, 6IP	2-5/8" [67mm]	72.00
NH	No-Hub	2NH, 3NH, 4NH	3-7/8" [98mm]	N/C
		6NH (6IP with Z1040)	5-1/2" [140mm]	263.00
NL	Neo-Loc	2NL, 3NL, 4NL	4-5/8" [117mm]	30.00

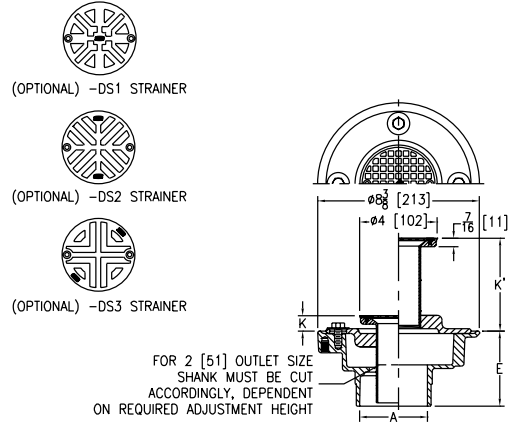
SUFFIXES		ADD
-AR	Acid Resisting Epoxy Coated Cast Iron	249.00
-FS	Floating Slab	341.00
-G	Galvanized Cast Iron	128.00
-P	1/2" [13mm] Trap Primer Connection	16.00
⊖ -SA	Stabilizer Assembly (See Z1035)	-
⊖ -SQ	Stabilizer Q-Deck (See Z1035-Q)	-
⊖ -SR	Stabilizer Ring (See Z400-SR)	50.00
⊖ -TC	Neo-Loc Test Cap Gasket (2", 3", 4" NL Bottom Outlet Only)	18.00
-U	1"-3" [25mm-76mm] High Extension Adapter (See Z400-U)	D.C. 76.00 Galv. 205.00
	For each additional 1" [25mm] above 3" [76mm]	76.00
-VP	Vandal-Proof Secured Top	30.00
-Y	Sediment Bucket (Not Available with -V)	38.00
-414	4" [102mm] Diameter Nickel Bronze Funnel	179.00
-90	90° Threaded Side Outlet Body (2" [51mm] and 3" [76mm] Only)	144.00
	For Side Outlet Body Assembly Only	263.00

Z420 DEEP SHANK FLOOR AND SHOWER DRAIN FOR MARBLE AND GRANITE APPLICATIONS



ENGINEERING SPECIFICATION

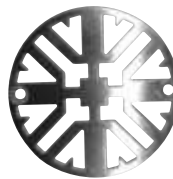
Zurn ZN420 deep shank floor and shower drain features white acid resisting coated cast iron body and invertible membrane clamp with seepage slots, polished nickel bronze adjustable head with 2" [51mm] N.P.S.M. shank, and 4" [102mm] diameter round, secured strainer.



Dimensions in inches [mm]					Str. Open Area sq in [cm ²]	Approximate Weight lb [kg]
A Pipe Size	K		K'			
	Min.	Max.	Min.	Max.		
2 [51], 3 [76], 4 [102]	13/16 [21]	3-3/4 [95]	1-1/4 [32]	4-13/16 [122]	5 [32]	15 [7]
6 [152]						13 [6]

PREFIXES	DESCRIPTION	PIPE SIZE	LIST PRICE	
ZN420*	White A.R.C. Cast Iron Body and Collar with Polished Nickel Bronze Top	2", 3", 4"	525.00	
		6"	1,469.00	
ZB420	White A.R.C. Cast Iron Body and Collar with Polished Bronze Top	2", 3", 4"	499.00	
		6"	1,298.00	
OUTLETS (SPECIFY PIPE SIZE IN INCHES AND TYPE OF OUTLET)				
OUTLET TYPE		PIPE SIZE/ OUTLET TYPE	E BODY HT. DIM.	ADD
IC	Inside Caulk	2IC, 3IC, 4IC	4-13/16" [122mm]	N/C
IP	Threaded	2IP	2-7/16" [62mm]	72.00
		3IP	2-3/4" [70mm]	72.00
		4IP	2-13/16" [71mm]	72.00
		6IP	2-7/8" [73mm]	72.00
NH	No-Hub	2NH, 3NH, 4NH	3-13/16" [97mm]	N/C
NL	Neo-Loc	2NL, 3NL, 4NL	3-7/8" [98mm]	30.00

SUFFIXES		ADD
-DS1	Decorative Strainer	N/C
-DS2	Decorative Strainer	N/C
-DS3	Decorative Strainer	N/C
-G	Galvanized Cast Iron	128.00
-P	Trap Primer Connection (Specify 1/2" [13mm] or 3/4" [19mm])	16.00
Ⓛ -SA	Stabilizer Assembly (See Z1035)	-
Ⓛ -SQ	Stabilizer Q-deck (See Z1035-Q)	-
Ⓛ -SR	Stabilizer Ring (See Z400-SR)	50.00
Ⓛ -TC	Neo-Loc Test Cap Gasket (2", 3", 4" NL Bottom Outlet Only)	18.00
-VP	Vandal-Proof Secured Top	30.00



-DS1 Option



-DS2 Option



-DS3 Option

*Regularly furnished unless otherwise specified.

Ⓛ This symbol denotes a product that is engineered to reduce installation and rework time.

For additional product information, please visit www.zurn.com

Z450 DRUM TRAP DRAIN WITH "TYPE B" STRAINER

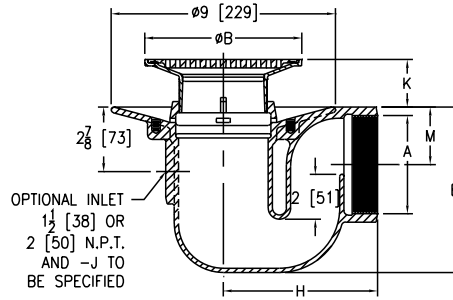


ENGINEERING SPECIFICATION

Zurn ZN450B drum trap floor and shower drain features Dura-Coated cast iron body with integral trap, side outlet, seepage pan, and adjustable "Type B" polished, nickel bronze strainer.

NOTES

For other available strainer variations, see our Z400 Strainer Series. Add price for required strainer to "BODY ONLY" price in chart. Specify strainer designation required.



Strainer Designation	Dimensions in inches [mm]								Str. Open Area sq in [cm ²]	Approximate Weight lb [kg]
	A Pipe Size	B Diameter	H		K		M			
			IP	NH	Min.	Max.	IP	NH		
-5B	2 [51]	5 [127]	6-1/16 [154]	11 [279]	7/8 [22]	2 [51]	1-15/32 [37]	2 [51]	8 [52]	18 [8]
	3 [76]		6-7/16 [164]				2-3/32 [53]	2-9/16 [65]		
	4 [102]		6-7/8 [175]				2-19/32 [66]	2-19/32 [66]		
-6B	2 [51]	6 [152]	6-1/16 [154]	11 [279]	1-1/8 [29]	2-1/4 [57]	1-15/32 [37]	2 [51]	9 [58]	19 [9]
	3 [76]		6-7/16 [164]				2-3/32 [53]	2-9/16 [65]		
	4 [102]		6-7/8 [175]				2-19/32 [66]	2-19/32 [66]		
-8B	2 [51]	8 [203]	6-1/16 [154]	11 [279]	1-1/2 [38]	2-5/8 [67]	1-15/32 [37]	2 [51]	18 [116]	33 [15]
	3 [76]		6-7/16 [164]				2-3/32 [53]	2-9/16 [65]		
	4 [102]		6-7/8 [175]				2-19/32 [66]	2-19/32 [66]		

PREFIXES	DESCRIPTION	STRAINER DESIG.	PIPE SIZE	LIST PRICE
ZN450B*	D.C.C.I. Body Assembly with Polished Nickel Bronze Top	-5B	2", 3"	765.00
			4"	1,007.00
		-6B	2", 3"	837.00
			4"	1,081.00
		-8B	2", 3"	1,128.00
			4"	1,335.00
ZB450B	D.C.C.I. Body Assembly with Polished Bronze Top	-5B	2", 3"	765.00
			4"	1,007.00
		-6B	2", 3"	837.00
			4"	1,081.00
		-8B	2", 3"	1,128.00
			4"	1,334.00
Z450	D.C.C.I. Body Assembly ONLY (add "-L/Top" to product sku)	No Strainer	2", 3"	629.00
			4"	871.00

SUFFIXES	ADD
-C	Clamp Collar N/C
-G	Galvanized Cast Iron 202.00
-P	Trap Primer Connection (Specify 1/2" [13mm] or 3/4" [19mm]) 16.00
-PC	Protective Cover 40.00
-U	1"-3" [25mm-76mm] High Extension Adapter (See Z400-U) D.C. 76.00
	Galv. 205.00
	For each additional 1" [25mm] above 3" [76mm] 76.00
-V	Backwater Valve (Not Available with -Y) (Ball Float Type) 597.00
-VP	Vandal-Proof Secured Top 30.00
-Y	Sediment Bucket (Not Available with -V) 38.00

OUTLETS (SPECIFY PIPE SIZE IN INCHES AND TYPE OF OUTLET)			
OUTLET TYPE		PIPE SIZE/ OUTLET TYPE	E BODY HT. DIM. ADD
IP	Threaded	2IP, 3IP	6-17/32" [166mm] N/C
		4IP	7-7/16" [189mm] N/C
NH	No-Hub	2NH, 3NH	7-7/16" [189mm] N/C
		4NH	7-7/16" [189mm] N/C

For additional product information, please visit www.zurn.com

*Regularly furnished unless otherwise specified.

Ⓢ This symbol denotes a product that is engineered to reduce installation and rework time.

Z451 SHALLOW TRAP DRAIN WITH "TYPE B" STRAINER

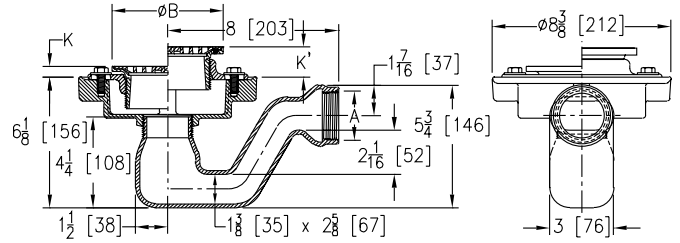


ENGINEERING SPECIFICATION

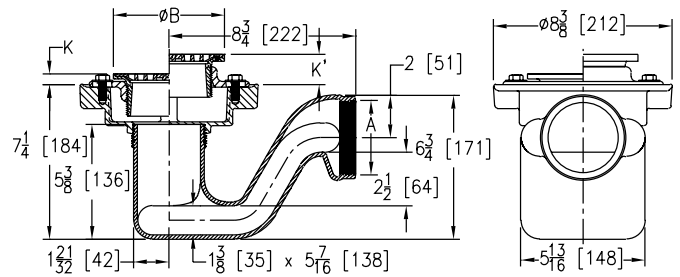
Zurn ZN451B Shallow trap floor and shower drain features Dura-Coated cast iron body with bottom outlet, combination invertible membrane clamp and adjustable collar with seepage slots, adjustable "Type B" polished, nickel bronze, heel-proof strainer, and cast iron shallow trap body with 2" [51mm] or 3" [76mm] waterway and threaded side outlet.

NOTES

For other available strainer variations, see our Z400 Strainer Series. Add price for required strainer to "BODY ONLY" price in chart. Specify strainer designation required.



-2IP Option Shown



-3IP Option Shown

Strainer Designation	Dimensions in inches [mm]						Str. Open Area sq in [cm ²]	Approximate Weight lb [kg]
	A Pipe Size	B Diameter	K		K'			
			Min.	Max.	Min.	Max.		
-5B	2 [51], 3 [76]	5 [127]	1 [25]	1-1/2 [38]	1-3/32 [27]	2-1/4 [57]	8 [52]	15 [7]
-6B		6 [152]		1-25/32 [45]	1-13/32 [36]	2-17/32 [64]	9 [58]	18 [8]
-7B		7 [178]		2-1/8 [54]	1-23/32 [44]	2-7/8 [73]	12 [77]	20 [9]
-8B	8 [203]	1-5/32 [29]	1-3/4 [44]		18 [116]		21 [10]	

PREFIXES	DESCRIPTION	STRAINER DESIG.	PIPE SIZE	LIST PRICE
ZN451B*	D.C.C.I. Body Assembly with Polished Nickel Bronze Top	-5B	2", 3"	617.00
		-6B	2", 3"	700.00
		-7B	2", 3"	771.00
		-8B	3"	905.00
ZB451B	D.C.C.I. Body Assembly with Polished Bronze Top	-5B	2", 3"	597.00
		-6B	2", 3"	656.00
		-7B	2", 3"	743.00
		-8B	3"	870.00
Z451	D.C.C.I. Body Assembly ONLY (add "-L/Top" to product sku)	No Strainer	2", 3"	387.00

OUTLETS (SPECIFY PIPE SIZE IN INCHES AND TYPE OF OUTLET)				
OUTLET TYPE	PIPE SIZE/OUTLET TYPE	E BODY HT. DIM.	ADD	
IP	Threaded	2IP, 3IP	6-17/32" [166mm]	N/C

SUFFIXES	ADD	
-CP	Chrome-Plated Bronze Top	20.00
-G	Galvanized Cast Iron	128.00
-P	Trap Primer Connection (Specify 1/2" [13mm] or 3/4" [19mm])	16.00
⊙ -PC	Protective Cover	40.00
-U	1"-3" [25mm-76mm] High Extension Adapter (See Z400-U)	D.C. 76.00 Galv. 205.00
	For each additional 1" [25mm] above 3" [76mm]	76.00
-V	Backwater Valve (Not Available with -Y)	266.00
-VP	Vandal-Proof Secured Top	30.00
-Y	Sediment Bucket (Not Available with -V)	38.00

*Regularly furnished unless otherwise specified.

⊙ This symbol denotes a product that is engineered to reduce installation and rework time.

For additional product information, please visit www.zurn.com

INTRO
ROOF DRAINS
FLOOR DRAINS
T, P, BW VALVES
INTERCEPTORS
CARRIERS
HYDRANTS
CLEANOUTS
WHA
SS DRAINS
FAB SS DRAINS
SAN-FLOOR
TECH INFO

Z453 DEEP SEAL TRAP DRAIN WITH "TYPE B" STRAINER

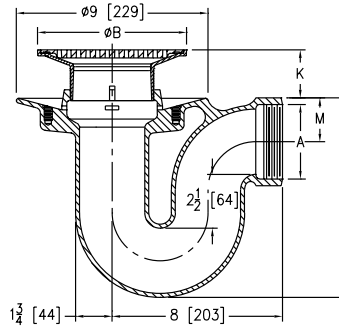


ENGINEERING SPECIFICATION

Zurn ZN453B deep seal trap floor and shower drain features Dura-Coated cast iron body with uniform diameter integral trap, side outlet, seepage pan, and adjustable "Type B" polished, nickel bronze light-duty strainer.

NOTES

For other available strainer variations, see our Z400 Strainer Series. Add price for required strainer to "BODY ONLY" price in chart. Specify strainer designation required.



Strainer Designation	Dimensions in inches [mm]				Str. Open Area sq in [cm ²]	Approximate Weight lb [kg]	
	A Pipe Size	B Diameter	K				M
			Min.	Max.			
-5B	2 [51], 3 [76]	5 [127]	3/4 [19]	1-7/8 [48]	2-1/8 [54]	8 [52]	30 [14]
	4 [102]					9 [58]	31 [14]
-6B	2 [51], 3 [76]	6 [152]	1-1/8 [29]	2-1/8 [54]		12 [77]	33 [15]
	4 [102]					18 [116]	32 [15]
-7B	2 [51], 3 [76]	7 [178]	1-3/8 [35]	2-1/2 [64]			
	4 [102]						
-8B	4 [102]	8 [203]					

PREFIXES	DESCRIPTION	STRAINER DESIG.	PIPE SIZE	LIST PRICE
ZN453B*	D.C.C.I. Body Assembly with Polished Nickel Bronze Top	-5B	2"	824.00
			3", 4"	1,101.00
		-6B	2", 3"	896.00
			4"	1,172.00
		-7B	2", 3"	999.00
			4"	1,273.00
		-8B	4"	1,424.00
ZB453B	D.C.C.I. Body Assembly with Polished Bronze Top	-5B	2", 3"	824.00
			4"	1,101.00
		-6B	2", 3"	896.00
			4"	1,172.00
		-7B	2", 3"	999.00
			4"	1,273.00
-8B	4"	1,424.00		
Z453	D.C.C.I. Body Assembly ONLY (add "-L/Top" to product sku)	No Strainer	2", 3"	686.00
			4"	962.00

SUFFIXES	ADD
-C	Clamp Collar N/C
-P	Trap Primer Connection (Specify 1/2" [13mm] or 3/4" [19mm]) 16.00
Ⓢ -PC	Protective Cover 40.00
-U	1"-3" [25mm-76mm] High Extension Adapter (See Z400-U) 76.00
	Galv. 205.00
	For each additional 1" [25mm] above 3" [76mm] 76.00
-VP	Vandal-Proof Secured Top 30.00
-Y	Sediment Bucket 38.00

OUTLETS (SPECIFY PIPE SIZE IN INCHES AND TYPE OF OUTLET)				
OUTLET TYPE		PIPE SIZE/ OUTLET TYPE	E BODY HT. DIM.	ADD
IP	Threaded	2IP, 3IP, 4IP	9-3/8" [238mm]	N/C
NH	No-Hub	2NH, 3NH, 4NH	9-3/8" [238mm]	N/C

Z455 TRAP DRAIN WITH FLOOR CLEANOUT WITH "TYPE B" STRAINER

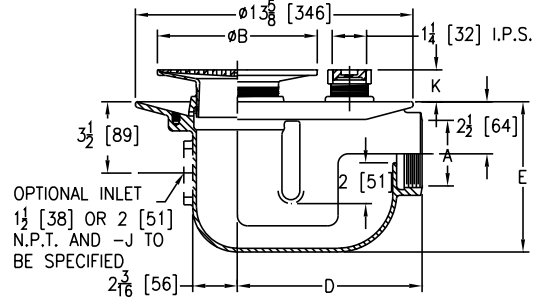


ENGINEERING SPECIFICATION

Zurn ZN455B floor and shower trap drain features Dura-Coated cast iron body with integral trap, side outlet, seepage pan, floor level cleanout, and adjustable "Type B" polished, nickel bronze, light-duty strainer.

NOTES

For other available strainer variations, see our Z400 Strainer Series. Add price for required strainer to "BODY ONLY" price in chart. Specify strainer designation required.



Strainer Designation	Dimensions in inches [mm]				Str. Open Area sq in [cm ²]	Approximate Weight lb [kg]
	A Pipe Size	B Diameter	K			
			Min.	Max.		
-5B	2 [51], 3 [76], 4 [102]	5 [127]	7/8 [22]	2 [51]	8 [52]	37 [17]
-6B		6 [152]	1-1/8 [29]	2-1/4 [57]	9 [58]	39 [18]
-7B		7 [178]	1-1/2 [38]	2-5/8 [67]	12 [77]	41 [19]
-8B		8 [203]			18 [116]	43 [20]

PREFIXES	DESCRIPTION	STRAINER DESIG.	PIPE SIZE	LIST PRICE
ZN455B*	D.C.C.I. Body Assembly with Polished Nickel Bronze Top	-5B	2", 3", 4"	2,169.00
		-6B	2", 3", 4"	2,239.00
		-7B	2", 3", 4"	2,342.00
		-8B	2", 3", 4"	2,495.00
Z455	D.C.C.I. Body Assembly ONLY (add "-L/Top" to product sku)	No Strainer	2", 3", 4"	2,030.00
OUTLETS (SPECIFY PIPE SIZE IN INCHES AND TYPE OF OUTLET)				
OUTLET TYPE		PIPE SIZE/ OUTLET TYPE	E BODY HT. DIM.	ADD
IP	Threaded	2IP, 3IP	9-1/6" [233mm]	N/C
		4IP	9-15/16" [252mm]	N/C
NH	No-Hub	2NH, 3NH, 4NH	11-3/4" [298mm]	N/C

SUFFIXES		ADD
-C	Clamping Collar	N/C
-FC	Flush Cover for Plug	135.00
-P	Trap Primer Connection (Specify 1/2" [13mm] or 3/4" [19mm])	16.00
-PC	Protective Cover	40.00
-V	Backwater Valve-Ball Float Type (Not Available with -Y)	597.00
-VP	Vandal-Proof Secured Top	30.00
-Y	Sediment Bucket (Not Available with -V)	38.00

*Regularly furnished unless otherwise specified.

⌚ This symbol denotes a product that is engineered to reduce installation and rework time.

For additional product information, please visit www.zurn.com

INTRO ROOF DRAINS FLOOR DRAINS T, P, BW VALVES INTERCEPTORS CARRIERS HYDRANTS CLEANOUTS W/HA SS DRAINS FAB SS DRAINS SAN-FLOOR TECH INFO

Z456 DEEP SEAL TRAP DRAIN WITH FLOOR CLEANOUT AND CLAMP COLLAR WITH "TYPE B" STRAINER

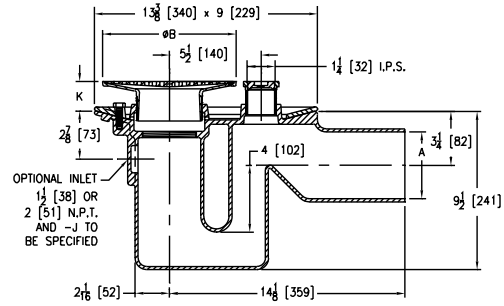


ENGINEERING SPECIFICATION

Zurn ZN456B floor and shower drain features Dura-Coated cast iron body, deep seal integral trap with clamp collar, seepage pan, floor level cleanout, and adjustable "Type B" polished, nickel bronze strainer.

NOTES

For other available strainer variations, see our Z400 Strainer Series. Add price for required strainer to "BODY ONLY" price in chart. Specify strainer designation required.



Strainer Designation	Dimensions in inches [mm]				Str. Open Area sq in [cm ²]	Approximate Weight lb [kg]
	A Pipe Size	B Diameter	K			
			Min.	Max.		
-5B	2 [51], 3 [76], 4 [102]	5 [127]	1-1/4 [32]	2 [51]	8 [52]	41 [19]
-6B		6 [152]	1-1/8 [29]	2-1/4 [57]	9 [58]	43 [20]
-7B		7 [178]	1-1/2 [38]	2-5/8 [67]	12 [77]	45 [20]
-8B		8 [203]			18 [116]	47 [21]

PREFIXES	DESCRIPTION	STRAINER DESIG.	PIPE SIZE	LIST PRICE
ZN456B*	D.C.C.I. Body Assembly with Polished Nickel Bronze Top	-5B	2", 3", 4"	2,130.00
		-6B	2", 3", 4"	2,199.00
		-7B	2", 3", 4"	2,300.00
		-8B	2", 3", 4"	2,450.00
Z456	D.C.C.I. Body Assembly ONLY (add "-L/Top" to product sku)	No Strainer	2", 3", 4"	1,994.00
OUTLETS (SPECIFY PIPE SIZE IN INCHES AND TYPE OF OUTLET)				
OUTLET TYPE		PIPE SIZE/OUTLET TYPE		ADD
NH	No-Hub	2NH, 3NH, 4NH		N/C

SUFFIXES		ADD
-AR	Acid Resisting Epoxy Coated Cast Iron	POA
-G	Galvanized Cast Iron	383.00
-P	Trap Primer Connection (Specify 1/2" [13mm] or 3/4" [19mm])	16.00
Ⓢ -PC	Protective Cover	40.00
-V	Backwater Valve-Ball Float Type (Not Available with -Y)	597.00
-VP	Vandal-Proof Secured Top	30.00
-Y	Sediment Bucket (Not Available with -V)	38.00

Z460B SHALLOW BODY FLOOR DRAIN WITH SIDE OUTLET AND "TYPE B" STRAINER

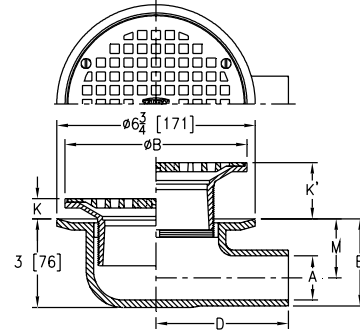


ENGINEERING SPECIFICATION

Zurn ZN460B shallow body floor and shower drain features Dura-Coated cast iron body with side outlet, seepage slots, and integral threaded connection for Type B polished nickel bronze light-duty strainer.

NOTES

For other available strainer variations, see our Z400 Strainer Series. Add price for required strainer to "BODY ONLY" price in chart. Specify strainer designation required.



Strainer Designation	Dimensions in inches [mm]					Str. Open Area sq in [cm ²]	Approximate Weight lb [kg]
	A Pipe Size	B Diameter	K Min.	K Max.	M		
-5B	1-1/2 [38]	5 [127]	15/32 [12]	1-5/8 [41]	2 [51]	8 [52]	8 [4]
	2 [51]						
-6B	1-1/2 [38]	6 [152]	11/16 [17]	1-29/32 [48]	2 [51]	9 [58]	9 [4]
	2 [51]						
-7B	1-1/2 [38]	7 [178]	1 [25]	2-1/4 [57]	2 [51]	12 [77]	10 [5]
	2 [51]						

PREFIXES	DESCRIPTION	STRAINER DESIG.	PIPE SIZE	LIST PRICE
ZN460B*	D.C.C.I. Body Assembly with Polished Nickel Bronze Top	-5B	1-1/2", 2"	383.00
		-6B	1-1/2", 2"	383.00
		-7B	1-1/2", 2"	383.00
ZB460B	D.C.C.I. Body Assembly with Polished Bronze Top	-5B	1-1/2", 2"	386.00
		-6B	1-1/2", 2"	386.00
		-7B	1-1/2", 2"	386.00
Z460	D.C.C.I. Body Assembly ONLY (add "-L/Top" to product sku)	No Strainer	1-1/2", 2"	240.00

SUFFIXES	ADD
-C Clamp Collar	N/C
-CP Chrome-Plated Bronze Top	20.00
-G Galvanized Cast Iron	128.00
-PC Protective Cover	40.00
-VP Vandal-Proof Secured Top	30.00
-Y Sediment Bucket	38.00

OUTLETS (SPECIFY PIPE SIZE IN INCHES AND TYPE OF OUTLET)				
OUTLET TYPE		PIPE SIZE/ OUTLET TYPE	E BODY HT. DIM.	ADD
IP	Threaded	1-1/2IP	3-5/32" [80mm]	72.00
		2IP	3-7/32" [82mm]	72.00
NH	No-Hub	1-1/2NH, 2NH	2-31/32" [75mm]	N/C

*Regularly furnished unless otherwise specified.

⌚ This symbol denotes a product that is engineered to reduce installation and rework time.

For additional product information, please visit www.zurn.com

INTRO ROOF DRAINS FLOOR DRAINS T, P, BW VALVES INTERCEPTORS CARRIERS HYDRANTS CLEANOUTS W/HA SS DRAINS FAB SS DRAINS SANI-FLOOR TECH INFO

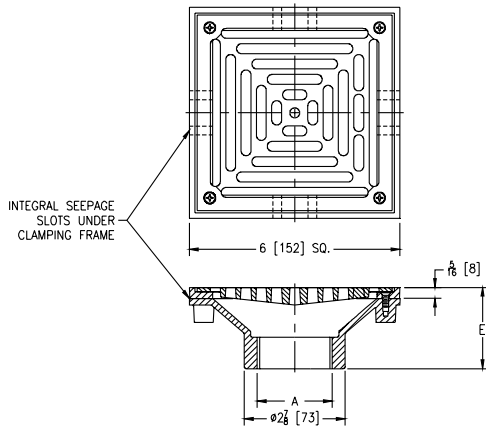
Z461 6" [152 MM] SQUARE MODULAR NON-ADJUSTABLE FLOOR DRAIN WITH CLAMPING FRAME



ENGINEERING SPECIFICATION

Zurn Z461 floor and shower drain features Dura-Coated cast iron, low profile body with 2" [51mm] bottom outlet, combination nickel bronze membrane clamp and frame with seepage slots, and square heel-proof, slotted, light-duty, secured strainer.

A Pipe Size inch [mm]	Grate Open Area sq in [cm ²]	Approximate Weight lb [kg]
2 [51]	13 [84]	5 [2]



PREFIXES	DESCRIPTION	PIPE SIZE	LIST PRICE
ZN461*	D.C.C.I. Body Assembly with Polished Bronze Top	2"	775.00

OUTLETS (SPECIFY PIPE SIZE IN INCHES AND TYPE OF OUTLET)				
OUTLET TYPE		PIPE SIZE/ OUTLET TYPE	E BODY HT. DIM.	ADD
IP	Threaded	2IP	2-5/16" [59mm]	N/C

SUFFIXES			ADD
-AR	Acid Resisting Epoxy Coated Cast Iron		174.00
-CP	Chrome-Plated Top		26.00
-DP	Decorative Polished Top		174.00
-G	Galvanized Cast Iron		203.00
-PC	Protective Cover		65.00
-VP	Vandal-Proof Secured Top		59.00

Z503 15" [381 MM] HEAVY-DUTY AREA DRAIN



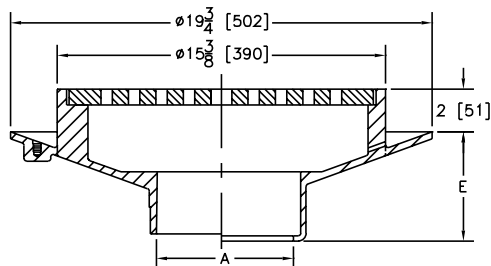
ENGINEERING SPECIFICATION

Zurn Z503 15" [381mm] diameter top drain features Dura-Coated cast iron body with bottom outlet, seepage pan, and heavy-duty, anti-tilt, slotted grate.

NOTES

*Add 3/16" [5mm] to 2" [51mm] dimension for ZB and ZN

A Pipe Size inch [mm]	Grate Open Area sq in [cm ²]	Approximate Weight lb [kg]
3 [76], 4 [102], 5 [127], 6 [152], 8 [203]	45 [290]	90 [41]



PREFIXES	DESCRIPTION	PIPE SIZE	LIST PRICE
Z503*	D.C.C.I. Body and Top	3", 4", 5", 6", 8"	2,029.00
ZB503	D.C.C.I. Body Assembly with Polished Bronze Top	3", 4", 5", 6", 8"	3,140.00
ZN503	D.C.C.I. Body Assembly with Polished Nickel Bronze Top	3", 4", 5", 6", 8"	3,302.00

OUTLETS (SPECIFY PIPE SIZE IN INCHES AND TYPE OF OUTLET)				
OUTLET TYPE		PIPE SIZE/ OUTLET TYPE	E BODY HT. DIM.	ADD
IC	Inside Caulk	3IC, 4IC, 5IC, 6IC	5-1/8" [130mm]	N/C
		8IC	5-5/8" [143mm]	N/C
IG	Inside Gasket	3IG, 4IG, 6IG	5-1/8" [130mm]	30.00
IP	Threaded	3IP, 4IP, 5IP, 6IP, 8IP	3" [76mm]	72.00
NL	Neo-Loc	4NL	3-7/8" [98mm]	30.00

SUFFIXES			ADD
-AR	Acid Resisting Epoxy Coated Cast Iron		271.00
-C	Clamp Collar		N/C
-DG	Duresist Grate		491.00
-G	Galvanized Cast Iron		529.00
-S	Secondary Strainer		73.00
-TC	Neo-Loc Test Cap Gasket (2", 3", 4" NL Bottom Outlet Only)		18.00
-TS	Top Secured with Slotted Screws		99.00
-V	Backwater Valve-Ball Float Type		-
-VP	Vandal-Proof Secured Top		99.00
-Y	Sediment Bucket		233.00

For additional product information, please visit www.zurn.com

*Regularly furnished unless otherwise specified.

Ⓢ This symbol denotes a product that is engineered to reduce installation and rework time.

Z505 12" [305 MM] HEAVY-DUTY DRAIN



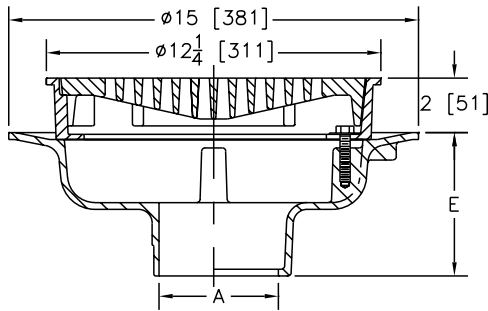
ENGINEERING SPECIFICATION

Zurn Z505 12" [305mm] diameter top drain features Dura-Coated cast iron body with bottom outlet, seepage pan and combination membrane flashing clamp and frame for heavy-duty, deep flange, slotted grate.

NOTES

†Add 3/16" [5mm] to 2" [51mm] dimension and 3/4" [19mm] to 12-1/4" [311mm] dimension for ZB and ZN

A Pipe Size inch [mm]	Grate Open Area sq in [cm ²]	Approximate Weight lb [kg]
2 [51], 3 [76], 4 [102], 6 [152]	30 [194]	38 [17]
8 [203], 10 [254]		40 [18]



PREFIXES	DESCRIPTION	PIPE SIZE	LIST PRICE
Z505*	D.C.C.I. Body and Top	2", 3", 4", 6"	790.00
		8", 10"	941.00
ZB505	D.C.C.I. Body Assembly with Polished Bronze Top	2", 3", 4", 6" 8", 10"	1,301.00 1,452.00
ZN505	D.C.C.I. Body Assembly with Polished Nickel Bronze Top	2", 3", 4", 6" 8", 10"	1,286.00 1,424.00

OUTLETS (SPECIFY PIPE SIZE IN INCHES AND TYPE OF OUTLET)				
OUTLET TYPE		PIPE SIZE/OUTLET TYPE	E BODY HT. DIM.	ADD
IC	Inside Caulk	3IC, 4IC, 6IC	5-1/4" [133mm]	N/C
IG	Inside Gasket	3IG, 4IG, 6IG	5-1/4" [133mm]	N/C
IP	Threaded	2IP, 3IP, 4IP, 6IP, 8IP	3-3/4" [95mm]	72.00
NH	No-Hub	2NH, 3NH, 4NH, 6NH, 8NH	5-1/4" [133mm]	N/C
NL	Neo-Loc	2NL, 3NL, 4NL	4-5/8" [117mm]	N/C

SUFFIXES		ADD	
-AR	Acid Resisting Epoxy Coated Cast Iron	248.00	
-D	Dome Grate	Z	98.00
		ZB	266.00
		ZN	313.00
-DG	Duresist Grate	441.00	
-F	Extension Frame - Per Inch (Specify Height)	98.00	
-G	Galvanized Cast Iron	248.00	
-HP	Heel-Proof Grate	N/C	
-HT	Square Hinged Grate	191.00	
-P	Trap Primer Connection	16.00	
-S	Secondary Strainer	73.00	
Ⓢ -SA	Stabilizer Assembly (See Z1036)	-	
-SC	Solid Cover	139.00	
-SS	Stainless Mesh Liner for Bucket	327.00	
-T	Square Top	453.00	
Ⓢ -TC	Neo-Loc Test Cap Gasket (2", 3", 4" NL Bottom Outlet Only)	18.00	
-TS	Top Secured with Slotted Screws	99.00	
-TSP	Trap Seal Protection Device (Size Matches Drain Outlet Selected, See Z1072)	POA	
-V	Backwater Valve-Ball Float Type (see Z1099)	-	
-VP	Vandal-Proof Secured Top	99.00	
-Y	Sediment Bucket	251.00	
-90	90° Threaded Side Outlet Body Assembly (2", 3", 4", 6" [51mm-152mm] Only)	271.00	

*Regularly furnished unless otherwise specified.

Ⓢ This symbol denotes a product that is engineered to reduce installation and rework time.

For additional product information, please visit www.zurn.com

INTRO ROOF DRAINS FLOOR DRAINS T, P, BW VALVES INTERCEPTORS CARRIERS HYDRANTS CLEANOUTS W/HA SS DRAINS FAB SS DRAINS SAN-FLOOR TECH INFO

Z507 7" [178 MM] MEDIUM-DUTY DRAIN



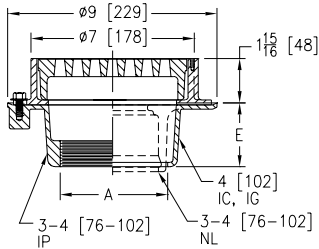
ENGINEERING SPECIFICATION

Zurn Z507 7" [178mm] diameter top drain features Dura-Coated cast iron body with bottom outlet, seepage pan, and combination membrane flashing clamp and frame for medium-duty, cast iron, deep flange, slotted grate.

NOTES

†Add 3/16" [5mm] to 1-1/2" [38mm] or 1-15/16" [49mm] dimension for ZN

A Pipe Size inch [mm]	Grate Open Area sq in [cm ²]	Approximate Weight lb [kg]
3 [76], 4 [102]	9 [58]	15 [7]



PREFIXES	DESCRIPTION	PIPE SIZE	LIST PRICE
Z507*	D.C.C.I. Body and Top	3", 4"	321.00
ZN507	D.C.C.I. Body Assembly with Polished Nickel Bronze Top	3", 4"	559.00
OUTLETS (SPECIFY PIPE SIZE IN INCHES AND TYPE OF OUTLET)			
OUTLET TYPE	PIPE SIZE/ OUTLET TYPE	E BODY HT. DIM.	ADD
IC	Inside Caulk	4IC	2-3/4" [70mm] N/C
IG	Inside Gasket	4IG	2-3/4" [70mm] 30.00
IP	Threaded	3IP, 4IP	2-3/4" [70mm] 72.00
NL	Neo-Loc	3NL, 4NL	3" [76mm] 30.00
SUFFIXES			ADD
-AR	Acid Resisting Epoxy Coated Cast Iron		199.00
-F	2" [51mm] Extension Frame		104.00
-G	Galvanized Cast Iron		139.00
-P	Trap Primer Connection		21.00
-S	Secondary Strainer		60.00
Ⓢ -TC	Neo-Loc Test Cap Gasket (3", 4" NL Bottom Outlet Only)		18.00
-TS	Top Secured with Slotted Screws		99.00
-VP	Vandal-Proof Secured Top		99.00
-Y	Sediment Bucket		47.00

Z508 9" [229 MM] EXTRA-HEAVY-DUTY DRAIN



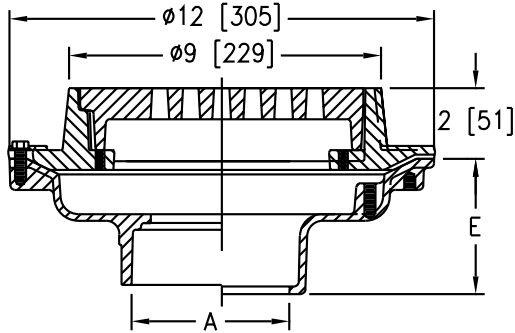
ENGINEERING SPECIFICATION

Zurn Z508 9" [229mm] diameter top drain features Dura-Coated cast iron body with bottom outlet, seepage pan, and combination membrane flashing clamp and frame for extra heavy-duty, cast iron, deep flange, slotted grate.

NOTES

†Add 3/16" [5mm] to 2" [51mm] dimension and 3/4" [19mm] to 9" [229mm] dimension for ZB and ZN

A Pipe Size inch [mm]	Grate Open Area sq in [cm ²]	Approximate Weight lb [kg]
2 [51], 3 [76], 4 [102]	18 [116]	21 [10]
6 [152]		25 [11]



PREFIXES	DESCRIPTION	PIPE SIZE	LIST PRICE
Z508*	D.C.C.I. Body and Top	2", 3", 4"	525.00
		6"	628.00
ZB508	D.C.C.I. Body Assembly with Polished Bronze Top	2", 3", 4"	879.00
		6"	986.00
ZN508	D.C.C.I. Body Assembly with Polished Nickel Bronze Top	2", 3", 4"	957.00
		6"	1,069.00

OUTLETS (SPECIFY PIPE SIZE IN INCHES AND TYPE OF OUTLET)				
OUTLET TYPE		PIPE SIZE/ OUTLET TYPE	E BODY HT. DIM.	ADD
IC	Inside Caulk	4IC	3-3/4" [95mm]	N/C
IG	Inside Gasket	4IG	3-3/4" [95mm]	30.00
IP	Threaded	4IP	2-3/4" [70mm]	72.00
NH	No-Hub	2NH, 3NH, 4NH	4-3/4" [121mm]	N/C
		6NH	5-1/4" [133mm]	N/C
NL	Neo-Loc	2NL, 3NL, 4NL	3-9/16" [90mm]	30.00

SUFFIXES		ADD
-AR	Acid Resisting Epoxy Coated Cast Iron	393.00
-DG	Duresist Grate	152.00
-G	Galvanized Cast Iron	308.00
-HP	Heel-Proof Grate	N/C
-P	Trap Primer Connection	129.00
-S	Secondary Strainer	37.00
-SC	Solid Cover with Lift Handle	380.00
-SG	Solid Gasketed Cover with Handle	457.00
⌚ -TC	Neo-Loc Test Cap Gasket (2", 3", 4" NL Bottom Outlet Only)	18.00
-TS	Top Secured with Slotted Screws	100.00
-TSP	Trap Seal Protection Device (Size Matches Drain Outlet Selected, See Z1072)	POA
-VP	Vandal-Proof Secured Top	116.00
-Y	Sediment Bucket	109.00
-90	90° Threaded Side Outlet Body Assembly (2", 3", 4" [51mm-102mm])	271.00

*Regularly furnished unless otherwise specified.

⌚ This symbol denotes a product that is engineered to reduce installation and rework time.

For additional product information, please visit www.zurn.com

Z509 12" [305 MM] HEAVY-DUTY DRAIN



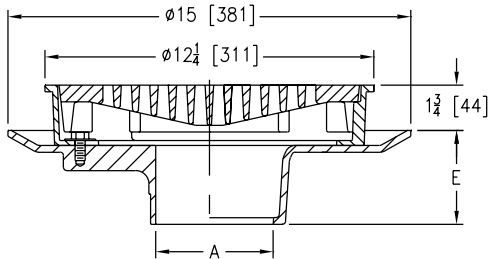
ENGINEERING SPECIFICATION

Zurn Z509 12" [305mm] diameter top drain features Dura-Coated cast iron body with bottom outlet, seepage pan, and combination membrane flashing clamp and frame for heavy-duty tractor grate.

NOTES

†Add 3/16" [5mm] to 1-3/4" [44mm] dimension and 3/4" [19mm] to 12-1/4" [311mm] dimension for ZB and ZN

A Pipe Size inch [mm]	Grate Open Area sq in [cm ²]	Approximate Weight lb [kg]
3 [76], 4 [102], 6 [152]	30 [194]	38 [17]



PREFIXES	DESCRIPTION	PIPE SIZE	LIST PRICE
Z509*	D.C.C.I. Body and Top	3", 4", 6"	558.00
ZB509	D.C.C.I. Body Assembly with Polished Bronze Top	3", 4", 6"	1,108.00
ZN509	D.C.C.I. Body Assembly with Polished Nickel Bronze Top	3", 4", 6"	1,143.00

OUTLETS (SPECIFY PIPE SIZE IN INCHES AND TYPE OF OUTLET)				
OUTLET TYPE		PIPE SIZE/OUTLET TYPE	E BODY HT. DIM.	ADD
IC	Inside Caulk	3IC, 4IC, 6IC	3-1/2" [89mm]	N/C
IG	Inside Gasket	3IG, 4IG, 6IG	3-1/2" [89mm]	N/C
IP	Threaded	3IP, 4IP, 6IP	3-1/2" [89mm]	57.00
NH	No-Hub	3NH, 4NH	3-1/2" [89mm]	N/C
		6NH (IP w/Z1040)	6" [152mm]	N/C
NL	Neo-Loc	3NL, 4NL	2-5/8" [67mm]	N/C

SUFFIXES		ADD	
-AR	Acid Resisting Epoxy Coated Cast Iron	248.00	
-DG	Duresist Grate	441.00	
-DX	Dex-O-Tex Flange	503.00	
-G	Galvanized Cast Iron	248.00	
-HP	Heel-Proof Grate	N/C	
-P	Trap Primer Connection	21.00	
-PH	Grate with 3/8" [10mm] Dia. Openings (Z only)	385.00	
-S	Secondary Strainer	73.00	
-T	Square Top	Z	320.00
		ZB	396.00
		ZN	453.00
Ⓢ -TC	Neo-Loc Test Cap Gasket (2", 3", 4" NL Bottom Outlet Only)	86.00	
-TS	Top Secured with Slotted Screws	99.00	
-TSP	Trap Seal Protection Device (Size Matches Drain Outlet Selected, See Z1072)	POA	
-V	Backwater Valve-Ball Float Type (See Z1099)	-	
-VP	Vandal-Proof Secured Top	99.00	
-Y	Sediment Bucket	186.00	

Z511 9" [229 MM] HEAVY-DUTY DRAIN



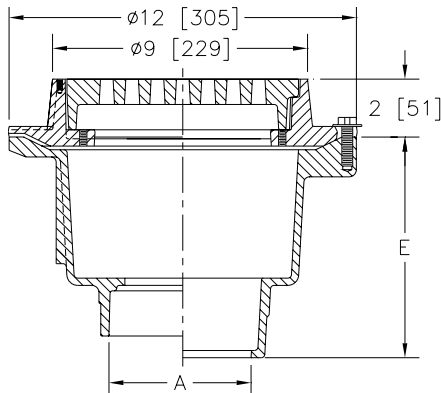
ENGINEERING SPECIFICATION

Zurn Z511 9" [229mm] diameter top drain features Dura-Coated cast iron, deep sump body with bottom outlet, seepage pan, and combination membrane flashing clamp and frame for heavy-duty, cast iron, deep flange grate.

NOTES

†Add 3/16" [5mm] to 2" [51mm] dimension and 3/4" [19mm] to 9" [229mm] dimension for ZB and ZN

A Pipe Size inch [mm]	Grate Open Area sq in [cm ²]	Approximate Weight lb [kg]
2 [51], 3 [76], 4 [102]	18 [116]	40 [18]



PREFIXES	DESCRIPTION	PIPE SIZE	LIST PRICE
Z511*	D.C.C.I. Body and Top	2", 3", 4"	539.00
ZB511	D.C.C.I. Body Assembly with Polished Bronze Top	2", 3", 4"	713.00
ZN511	D.C.C.I. Body Assembly with Polished Nickel Bronze Top	2", 3", 4"	743.00

OUTLETS (SPECIFY PIPE SIZE IN INCHES AND TYPE OF OUTLET)				
OUTLET TYPE		PIPE SIZE/ OUTLET TYPE	E BODY HT. DIM.	ADD
IC	Inside Caulk	3IC, 4IC	7-5/8" [194mm]	N/C
IG	Inside Gasket	3IG, 4IG	7-5/8" [194mm]	N/C
NL	Neo-Loc	2NL, 3NL, 4NL	6-7/8" [175mm]	N/C
IP	Threaded	3IP, 4IP	7-5/8" [194mm]	N/C

SUFFIXES		ADD
-AR	Acid Resisting Epoxy Coated Finish	326.00
-BT	Bell Trap	POA
-DG	Duresist Grate	399.00
-F	Extension Frame - Per Inch (Specify Height)	89.00
-G	Galvanized Cast Iron	236.00
-HP	Heel-Proof Grate	N/C
-J	Auxiliary Inlet Connection (Specify 1-1/2" [38mm] or 2" [51mm] IP, Number and Location)	321.00
-P	Trap Primer Connection	16.00
-S	Secondary Strainer	73.00
-SC	Solid Cover w/ Lift Handle	445.00
-SG	Solid Gasketed Cover	539.00
-TC	Neo-Loc Test Cap Gasket (2", 3", 4" NL Bottom Outlet Only)	86.00
-TS	Top Secured with Slotted Screws	101.00
-TSP	Trap Seal Protection Device (Size Matches Drain Outlet Selected, See Z1072)	POA
-V	Backwater Valve-Ball Float Type (Not Available with -Y)	430.00
-VP	Vandal-Proof Secured Top	131.00
-W	Winter Closure Plug (3IC, 4IC, 3IP, 4IP & 3IG Connections Only)	569.00
-Y	Sediment Bucket (Not Available with -V)	159.00

*Regularly furnished unless otherwise specified.

⌚ This symbol denotes a product that is engineered to reduce installation and rework time.

For additional product information, please visit www.zurn.com

INTRO ROOF DRAINS FLOOR DRAINS T, P, BW VALVES INTERCEPTORS CARRIERS HYDRANTS CLEANOUTS W/HA SS DRAINS FAB SS DRAINS SAN-FLOOR TECH INFO

Z512 12-1/4" [311 MM] HEAVY-DUTY DRAIN



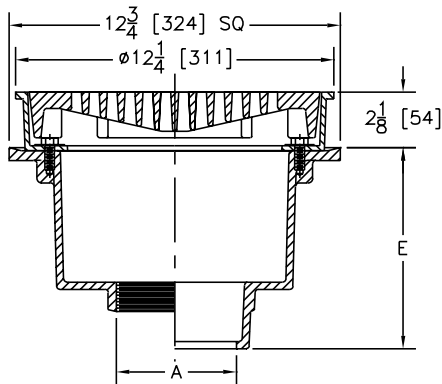
ENGINEERING SPECIFICATION

Zurn Z512 12-1/4" [311mm] diameter top drain features Dura-Coated cast iron deep sump body with bottom outlet, seepage pan, and combination flashing clamp and frame for heavy-duty tractor grate.

NOTES

*Add 3/16" [5mm] to 2-1/8" [54mm] dimension and 3/4" [19mm] to 12-1/4" [311mm] dimension for ZB and ZN

A Pipe Size inch [mm]	Grate Open Area sq in [cm ²]	Approximate Weight lb [kg]
3 [76], 4 [102], 6 [152]	30 [194]	44 [20]



PREFIXES	DESCRIPTION	PIPE SIZE	LIST PRICE
Z512*	D.C.C.I. Body and Top	3", 4"	570.00
		6"	717.00
ZB512	D.C.C.I. Body Assembly with Polished Bronze Top	3", 4"	781.00
		6"	940.00
ZN512	D.C.C.I. Body Assembly with Polished Nickel Bronze Top	3", 4"	804.00
		6"	968.00

OUTLETS (SPECIFY PIPE SIZE IN INCHES AND TYPE OF OUTLET)				
OUTLET TYPE		PIPE SIZE/ OUTLET TYPE	E BODY HT. DIM.	ADD
IC	Inside Caulk	4IC, 6IC	7-3/4" [197mm]	N/C
IG	Inside Gasket	4IG, 6IG	7-3/4" [197mm]	N/C
IP	Threaded	4IP, 6IP	6-5/16" [160mm]	72.00
NL	Neo-Loc	3NL, 4NL	7-1/4" [184mm]	N/C
NH	No-Hub	3NH, 4NH, 6NH	7-13/16" [198mm]	N/C

SUFFIXES			ADD
-AR	Acid Resistant Epoxy Coated Cast Iron		645.00
-DG	Duresist Grate		399.00
-G	Galvanized Cast Iron		236.00
-S	Secondary Strainer		73.00
-SS	Stainless Mesh Liner for Bucket		386.00
-T	Square Top	Z	320.00
		ZB	396.00
		ZN	453.00
⊖ -TC	Neo-Loc Test Cap Gasket (3", 4" NL Bottom Outlet Only)		86.00
-TS	Top Secured with Slotted Screws		101.00
-VP	Vandal-Proof Secured Top		131.00
-Y	Sediment Bucket		159.00

Z513 9" [229 MM] SQUARE HINGED HEAVY-DUTY DRAIN



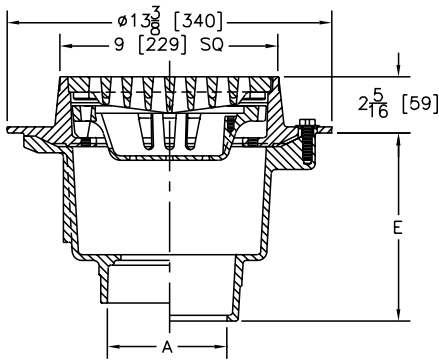
ENGINEERING SPECIFICATION

Zurn Z513 9" [229mm] square top drain features Dura-Coated cast iron deep sump body with bottom outlet, seepage pan and combination membrane flashing clamp and frame for hinged, heavy-duty, slotted grate with suspended sediment bucket.

NOTES

*Add 3/16" [5mm] to 2-5/16" [59mm] dimension and 3/4" [19mm] to 9" [229mm] dimension for ZB and ZN

A Pipe Size inch [mm]	Grate Open Area sq in [cm ²]	Approximate Weight lb [kg]
3 [76], 4 [102]	20 [129]	57 [26]



PREFIXES	DESCRIPTION	PIPE SIZE	LIST PRICE
Z513*	D.C.C.I. Body and Top	3", 4"	762.00
ZB513	D.C.C.I. Body Assembly with Polished Bronze Top	3", 4"	1,109.00
ZN513	D.C.C.I. Body Assembly with Polished Nickel Bronze Top	3", 4"	1,195.00

OUTLETS (SPECIFY PIPE SIZE IN INCHES AND TYPE OF OUTLET)				
OUTLET TYPE		PIPE SIZE/ OUTLET TYPE	E BODY HT. DIM.	ADD
NL	Neo-Loc	3NL, 4NL	6-5/8" [168mm]	N/C

SUFFIXES			ADD
-AR	Acid Resisting Epoxy Coated Cast Iron		292.00
-G	Galvanized Cast Iron		236.00
-HL	Hinged Locking Grate		290.00
-P	Trap Primer Connection		16.00
-SS	Stainless Steel Mesh Liner for Bucket		386.00
⌚ -TC	Neo-Loc Test Cap Gasket (3", 4" NL Bottom Outlet Only)		86.00
-VP	Vandal-Proof Secured Top		131.00

*Regularly furnished unless otherwise specified.

⌚ This symbol denotes a product that is engineered to reduce installation and rework time.

For additional product information, please visit www.zurn.com

Z520 9" [229 MM] ADJUSTABLE HEAVY-DUTY DRAIN



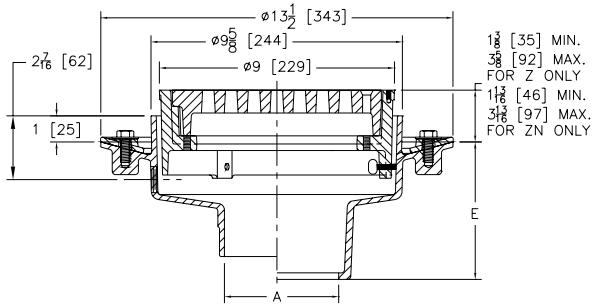
ENGINEERING SPECIFICATION

Zurn Z520 9" [229mm] diameter top drain features Dura-Coated cast iron body with bottom outlet, seepage pan with clamping collar, and adjustable extension frame with heavy-duty, cast iron, deep flange, slotted grate.

NOTES

†Add 5/8" [16mm] to 9" [229mm] dimension for ZN

A Pipe Size inch [mm]	Grate Open Area sq in [cm ²]	Approximate Weight lb [kg]
2 [51], 3 [76], 4 [102]	18 [116]	39 [18]
6 [152]		44 [20]



PREFIXES	DESCRIPTION	PIPE SIZE	LIST PRICE
Z520*	D.C.C.I. Body and Top	2", 3", 4"	496.00
		6"	548.00
ZN520	D.C.C.I. Body with Polished Nickel Bronze Top	2", 3", 4"	1,021.00
		6"	1,122.00

OUTLETS (SPECIFY PIPE SIZE IN INCHES AND TYPE OF OUTLET)				
OUTLET TYPE		PIPE SIZE/OUTLET TYPE	E BODY HT. DIM.	ADD
IP	Threaded	2IP, 3IP, 4IP	3-1/2" [89mm]	60.00
NH	No-Hub	2NH, 3NH, 4NH, 6NH	4-1/4" [108mm]	N/C
NL	Neo-Loc	2NL, 3NL, 4NL	4-3/8" [111mm]	N/C
SUFFIXES				ADD
-DG	Duresist Grate			399.00
-F	Extension Frame - Per Inch (Specify Height)			89.00
-G	Galvanized Cast Iron			236.00
-HP	Heel-Proof Grate			N/C
-S	Secondary Strainer			73.00
-SS	Stainless Mesh Liner for Bucket			386.00
-T	Square Top		Z ZN	320.00 453.00
Ⓢ -TC	Neo-Loc Test Cap Gasket (2", 3", 4" NL Bottom Outlet Only)			86.00
-TS	Top Secured with Slotted Screws			101.00
-TSP	Trap Seal Protection Device (Size Matches Drain Outlet Selected, See Z1072)			POA
-V	Backwater Valve (See Z1099)			-
-VP	Vandal-Proof Secured Top			131.00
-Y	Sediment Bucket			159.00
-90	90° Side Outlet Body Assembly (See Z1042)			-

Z521 12" [305 MM] DIAMETER ADJUSTABLE HEAVY-DUTY DRAIN



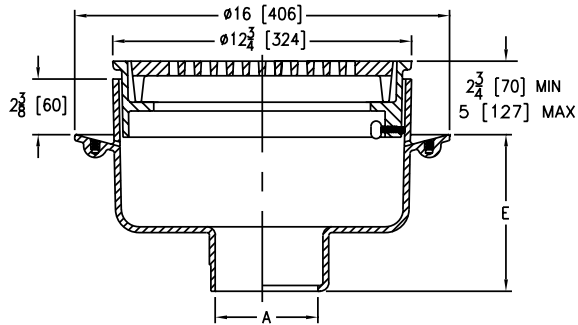
ENGINEERING SPECIFICATION

Zurn Z521 12" [305mm] diameter top drain features Dura-Coated cast iron body with bottom outlet, seepage pan, and adjustable extension frame with heavy-duty tractor grate.

NOTES

†Add 3/16" [5mm] to 2-3/4" [70mm] through 5" [127mm] dimension for ZN

A Pipe Size inch [mm]	Grate Open Area sq in [cm ²]	Approximate Weight lb [kg]
3 [76], 4 [102], 5 [127], 6 [152]	30 [194]	60 [27]



PREFIXES	DESCRIPTION	PIPE SIZE	LIST PRICE
Z521*	D.C.C.I. Body and Top	2", 3", 4"	786.00
		6"	1,013.00
ZN521	D.C.C.I. Body with Polished Nickel Bronze Top	2", 3", 4"	1,315.00
		6"	1,579.00

OUTLETS (SPECIFY PIPE SIZE IN INCHES AND TYPE OF OUTLET)				
OUTLET TYPE		PIPE SIZE/OUTLET TYPE	E BODY HT. DIM.	ADD
IC	Inside Caulk	3IC, 4IC, 5IC, 6IC	6-5/8" [168mm]	N/C
IG	Inside Gasket	3IG, 4IG, 6IG	6-5/8" [168mm]	N/C
IP	Threaded	4IP, 5IP, 6IP	5-1/4" [133mm]	60.00
NL	Neo-Loc	4NL	5-7/8" [149mm]	N/C

SUFFIXES		ADD
-DG	Duresist Grate	399.00
-G	Galvanized Cast Iron	236.00
-S	Secondary Strainer	73.00
-T	Square Top	Z 320.00 ZN 453.00
⌚ -TC	Neo-Loc Test Cap Gasket (2", 3", 4" NL Bottom Outlet Only)	86.00
-TS	Top Secured with Slotted Screws	101.00
-V	Backwater Valve (Not Available with -Y) (See Z1099)	-
-VP	Vandal-Proof Secured Top	131.00
-Y	Sediment Bucket (Not Available with -V)	159.00

*Regularly furnished unless otherwise specified.

⌚ This symbol denotes a product that is engineered to reduce installation and rework time.

For additional product information, please visit www.zurn.com

Z526 12" [305 MM] ADJUSTABLE HEAVY-DUTY DRAIN



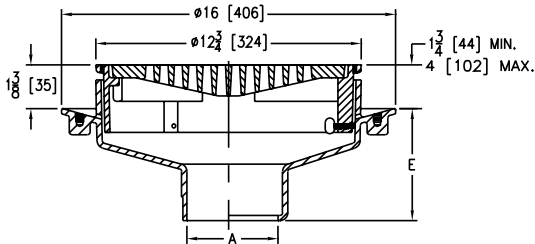
ENGINEERING SPECIFICATION

Zurn Z526 12" [305mm] diameter top drain features Dura-Coated cast iron body with bottom outlet, seepage pan, adjustable extension frame, and heavy-duty slotted grate.

NOTES

†Add 3/16" [5mm] to 1-3/4" [44mm] through 4" [102mm] dimension for ZN

A Pipe Size inch [mm]	Grate Open Area sq in [cm ²]	Approximate Weight lb [kg]
3 [76], 4 [102], 6 [152]	30 [194]	52 [24]



PREFIXES	DESCRIPTION	PIPE SIZE	LIST PRICE
Z526*	D.C.C.I. Body and Top	3", 4"	678.00
		6"	792.00
ZN526	D.C.C.I. Body with Polished Nickel Bronze Top	3", 4"	1,347.00
		6"	1,461.00

OUTLETS (SPECIFY PIPE SIZE IN INCHES AND TYPE OF OUTLET)				
OUTLET TYPE		PIPE SIZE/OUTLET TYPE	E BODY HT. DIM.	ADD
IC	Inside Caulk	3IC, 4IC, 6IC	5-3/8" [137mm]	N/C
IG	Inside Gasket	3IG, 4IG, 6IG	5-3/8" [137mm]	N/C
IP	Threaded	4IP, 6IP	3-3/4" [95mm]	60.00
NL	Neo-Loc	4NL	4-5/8" [117mm]	N/C

SUFFIXES		ADD	
-C	Clamp Collar	N/C	
-DG	Duresist Grate	441.00	
-G	Galvanized Cast Iron	246.00	
-HP	Heel-Proof Grate	N/C	
-S	Secondary Strainer	73.00	
-T	Square Top	Z	320.00
		ZN	453.00
⊖ -TC	Neo-Loc Test Cap Gasket (2", 3", 4" NL Bottom Outlet Only)	86.00	
-TS	Top Secured with Slotted Screws	99.00	
-V	Backwater Valve (See Z1099)	-	
-VP	Vandal-Proof Secured Top	99.00	
-90	90° Side Outlet Body Assembly (See Z1042)	-	

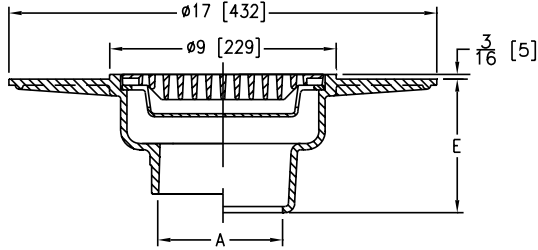
Z530 9" [229 MM] MEDIUM-DUTY WIDE FLANGE DECK DRAIN



ENGINEERING SPECIFICATION

Zurn Z530 9" [229mm] diameter wide flange deck drain for latex decks features Dura-Coated cast iron body with latex troweling flange, flat heel-proof, medium-duty grate, and suspended sediment bucket.

A Pipe Size inch [mm]	Grate Open Area sq in [cm ²]	Approximate Weight lb [kg]
2 [51], 3 [76], 4 [102]	18 [116]	49 [22]



PREFIXES	DESCRIPTION	PIPE SIZE	LIST PRICE
Z530*	D.C.C.I. Body and Top	2", 3", 4"	667.00
OUTLETS (SPECIFY PIPE SIZE IN INCHES AND TYPE OF OUTLET)			
OUTLET TYPE	PIPE SIZE/OUTLET TYPE	E BODY HT. DIM.	ADD
IC	Inside Caulk	2IC, 3IC, 4IC	5-1/2" [140mm] N/C
IP	Threaded	2IP, 3IP, 4IP	4" [102mm] 60.00
NL	Neo-Loc	2NL, 3NL, 4NL	4-3/4" [121mm] N/C
SUFFIXES			ADD
-AR	Acid Resisting Epoxy Coated Cast Iron		326.00
-C	Underdeck Clamp		176.00
-DG	Duresist Grate		399.00
-G	Galvanized Cast Iron		236.00
-TC	Neo-Loc Test Cap Gasket (2", 3", 4" NL Bottom Outlet Only)		86.00
-TS	Top Secured with Slotted Screws		101.00
-VP	Vandal-Proof Secured Top		131.00
-XJ	Expansion Joint (Use with IP Type Outlet) (See Z190)		POA

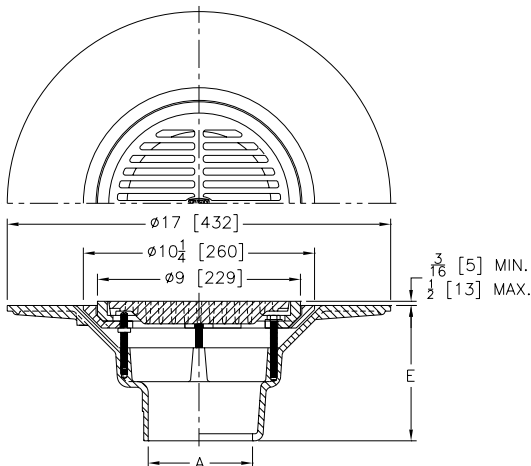
Z531 9" [229 MM] ADJUSTABLE FRAME WIDE FLANGE MEDIUM-DUTY DECK DRAIN



ENGINEERING SPECIFICATION

Zurn Z531 9" [229mm] diameter adjustable frame wide flange deck drain features Dura-Coated cast iron body with 10-1/4" [260mm] diameter latex troweling flange and combination adjustable latex troweling-edge-form and membrane flashing clamp with flat medium-duty grate.

A Pipe Size inch [mm]	Grate Open Area sq in [cm ²]	Approximate Weight lb [kg]
2 [51], 3 [76], 4 [102]	18 [116]	54 [24]



PREFIXES	DESCRIPTION	PIPE SIZE	LIST PRICE
Z531*	D.C.C.I. Body and Top	2", 3", 4"	1,078.00
ZN531	D.C.C.I. Body with Polished Nickel Bronze Top	2", 3", 4"	1,464.00
OUTLETS (SPECIFY PIPE SIZE IN INCHES AND TYPE OF OUTLET)			
OUTLET TYPE	PIPE SIZE/OUTLET TYPE	E BODY HT. DIM.	ADD
IC	Inside Caulk	2IC, 3IC, 4IC	6" [152mm] N/C
IP	Threaded	2IP, 3IP, 4IP	4-1/2" [114mm] 60.00
NH	No-Hub	2NH, 3NH, 4NH	6" [152mm] N/C
NL	Neo-Loc	2NL, 3NL, 4NL	5-3/8" [137mm] N/C
SUFFIXES			ADD
-C	Underdeck Clamp		176.00
-DG	Duresist Grate		399.00
-G	Galvanized Cast Iron		236.00
-S	Secondary Strainer		73.00
-TC	Neo-Loc Test Cap Gasket (2", 3", 4" NL Bottom Outlet Only)		86.00
-TS	Top Secured with Slotted Screws		90.00
-VP	Vandal-Proof Secured Top		131.00
-Y	Sediment Bucket		159.00

*Regularly furnished unless otherwise specified.

⌚ This symbol denotes a product that is engineered to reduce installation and rework time.

For additional product information, please visit www.zurn.com

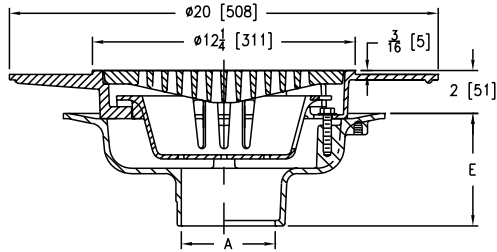
Z532 12-1/4" [311 MM] DIAMETER WIDE FLANGE HEAVY-DUTY FLOOR DRAIN



ENGINEERING SPECIFICATION

Zurn Z532 12-1/4" [311mm] diameter wide flange floor drain features Dura-Coated cast iron body with bottom outlet, seepage pan, combination membrane flashing clamp, and frame with latex troweling flange, heavy-duty slotted grate, and suspended sediment bucket.

A Pipe Size inch [mm]	Grate Open Area sq in [cm ²]	Approximate Weight lb [kg]
2 [51], 3 [76], 4 [102], 5 [127], 6 [152], 8 [203]	30 [194]	54 [24]



PREFIXES	DESCRIPTION	PIPE SIZE	LIST PRICE
Z532*	D.C.C.I. Body and Top	2", 3", 4", 5", 6"	896.00
ZN532	D.C.C.I. Body with Polished Nickel Bronze Top	2", 3", 4", 5", 6"	1,710.00

OUTLETS (SPECIFY PIPE SIZE IN INCHES AND TYPE OF OUTLET)				
OUTLET TYPE		PIPE SIZE/OUTLET TYPE	E BODY HT. DIM.	ADD
IC	Inside Caulk	3IC, 4IC, 6IC	5-1/4" [133mm]	N/C
IG	Inside Gasket	3IG, 4IG, 6IG	5-1/4" [133mm]	N/C
NH	No-Hub	2NH, 3NH, 4NH, 5NH, 6NH	5-1/4" [133mm]	N/C
NL	Neo-Loc	2NL, 3NL, 4NL	4-1/2" [114mm]	N/C

SUFFIXES			ADD
-AR	Acid Resistant Epoxy Coating		272.00
-DG	Duresist Grate		399.00
-G	Galvanized Cast Iron		236.00
-HP	Heel-Proof Grate		N/C
-TC	Neo-Loc Test Cap Gasket (2", 3", 4" NL Bottom Outlet Only)		86.00
-TS	Top Secured with Slotted Screws		101.00
-VP	Vandal-Proof Secured Top		131.00

Z533 9" [229 MM] DIAMETER HEAVY-DUTY PARKING DECK DRAIN WITH SUPPORT FLANGE



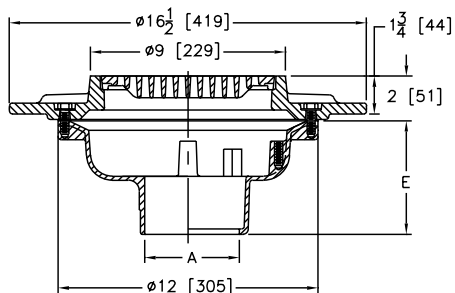
ENGINEERING SPECIFICATION

Zurn Z533 9" [229mm] diameter parking deck drain features Dura-Coated cast iron body with bottom outlet, heavy-duty, gasketed drain support flange with heavy-duty Duresist, slotted grate.

NOTES

†Add 3/16" [5mm] to 2" [51mm] dimension for ZB and ZN

A Pipe Size inch [mm]	Grate Open Area sq in [cm ²]	Approximate Weight lb [kg]
3 [76], 4 [102]	16 [103]	48 [22]



PREFIXES	DESCRIPTION	PIPE SIZE	LIST PRICE
Z533*	D.C.C.I. Body and Top	3", 4"	950.00
ZB533	D.C.C.I. Body with Polished Bronze Top	3", 4"	1,284.00
ZN533	D.C.C.I. Body with Polished Nickel Bronze Top	3", 4"	1,353.00

OUTLETS (SPECIFY PIPE SIZE IN INCHES AND TYPE OF OUTLET)				
OUTLET TYPE		PIPE SIZE/OUTLET TYPE	E BODY HT. DIM.	ADD
NH	No-Hub	3NH, 4NH	5-1/4" [133mm]	N/C
NL	Neo-Loc	3NL, 4NL	4-9/16" [116mm]	N/C

SUFFIXES			ADD
-C	Underdeck Clamp		186.00
-G	Galvanized Cast Iron		236.00
-TS	Top Secured with Slotted Screws		101.00
-VP	Vandal-Proof Secured Top		131.00
-Y	Sediment Bucket		159.00

Z534 12-1/4" [311 MM] DIAMETER HEAVY-DUTY PARKING DECK DRAIN WITH SUPPORT FLANGE



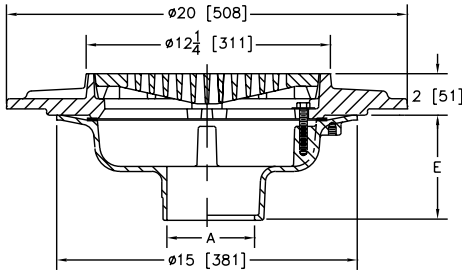
ENGINEERING SPECIFICATION

Zurn Z534 12-1/4" [311mm] diameter parking deck drain features Dura-Coated cast iron body with bottom outlet, heavy-duty, gasketed drain support flange with heavy-duty, slotted grate.

NOTES

*Add 3/16" [5mm] to 2" [51mm] dimension and 3/4" [19mm] to 12-1/4" [311mm] dimension for ZB and ZN

A Pipe Size inch [mm]	Grate Open Area sq in [cm ²]	Approximate Weight lb [kg]
2 [51], 3 [76], 4 [102], 6 [152]	30 [194]	78 [35]
8 [203], 10 [254]		80 [36]



PREFIXES	DESCRIPTION	PIPE SIZE	LIST PRICE
Z534*	D.C.C.I. Body and Top	2", 3", 4", 6" 8"	807.00 1,097.00
ZB534	D.C.C.I. Body with Polished Bronze Top	2", 3", 4", 6" 8"	1,153.00 1,567.00
ZN534	D.C.C.I. Body with Polished Nickel Bronze Top	2", 3", 4", 6" 8"	1,350.00 1,650.00

OUTLETS (SPECIFY PIPE SIZE IN INCHES AND TYPE OF OUTLET)			
OUTLET TYPE	PIPE SIZE/OUTLET TYPE	E BODY HT. DIM.	ADD
IC	Inside Caulk 3IC, 4IC, 6IC	5-1/4" [133mm]	N/C
IG	Inside Gasket 3IG, 4IG, 6IG	5-1/4" [133mm]	N/C
IP	Threaded 2IP, 3IP, 4IP, 6IP, 8IP	3-3/4" [95mm]	30.00
NH	No-Hub 2NH, 3NH, 4NH, 6NH, 8NH	5-1/4" [133mm]	N/C
NL	Neo-Loc 2NL, 3NL, 4NL	4-5/8" [117mm]	N/C

SUFFIXES	ADD
-C	Underdeck Clamp 86.00
-G	Galvanized Cast Iron 246.00
-HP	Heel-Proof Grate N/C
Ⓢ -SA	Stabilizer Assembly (See Z1036) -
Ⓢ -TC	Neo-Loc Test Cap Gasket (2", 3", 4" NL Bottom Outlet Only) 86.00
-TS	Top Secured with Slotted Screws 42.00
-VP	Vandal-Proof Secured Top 130.00
-XJ	Expansion Joint (Use with IP Type Outlet) (See Z190) -
-Y	Sediment Bucket 160.00

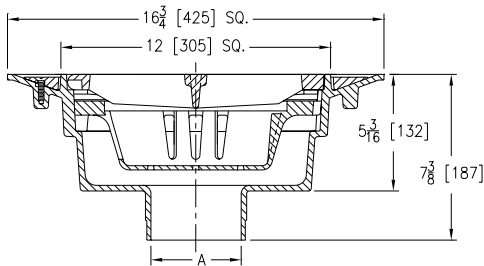
Z535 HEAVY-DUTY PARKING STRUCTURE DRAIN



ENGINEERING SPECIFICATION

Zurn Z535 square top, heavy-duty drain features oven-cured acid resistant epoxy-coated aluminum or cast iron body with bottom outlet, top membrane clamping collar, anti-ponding slots, sediment bucket and heavy-duty, anti-tilt, hinged, slotted grate with stainless steel hinge pins.

A Pipe Size inch [mm]	Grate Open Area sq in [cm ²]	Approximate Weight lb [kg]
3 [76], 4 [102], 6 [152], 8 [203]	56 [361]	29 [13] for aluminum, 75 [34] for cast iron



PREFIXES	DESCRIPTION	PIPE SIZE	LIST PRICE
Z535*	A.R.C. Aluminum Body and Top	3", 4", 6", 8"	1,800.00
ZC535	D.C.C.I. Body and Top	3", 4", 6", 8"	1,650.00

OUTLETS (SPECIFY PIPE SIZE IN INCHES AND TYPE OF OUTLET)		
OUTLET TYPE	PIPE SIZE/OUTLET TYPE	ADD
NH	No-Hub 3NH, 4NH, 6NH, 8NH	N/C

SUFFIXES	ADD
-CI	Cast Iron Grate 331.00
-L	Locking Device 97.00

*Regularly furnished unless otherwise specified.

Ⓢ This symbol denotes a product that is engineered to reduce installation and rework time.

For additional product information, please visit www.zurn.com

Z536-8 8" [203 MM] DIAMETER HEAVY-DUTY ADJUSTABLE FLOOR DRAIN



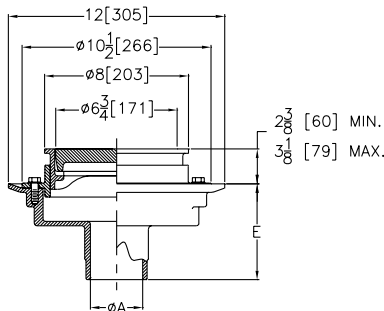
ENGINEERING SPECIFICATION

Zurn Z536 8" [203mm] diameter heavy-duty adjustable floor drain features a Dura-Coated cast iron bottom outlet body, invertible clamping collar, adjustable leveling frame, and deep grate.

NOTES

†Add 3/16" [5mm] to 2" [51mm] dimension for ZN

A Pipe Size inch [mm]	Grate Open Area sq in [cm ²]	Approximate Weight lb [kg]
3 [76], 4 [102], 6 [152]	17 [112]	29 [13]



PREFIXES	DESCRIPTION	PIPE SIZE	LIST PRICE
Z536*	D.C.C.I. Body and Top	3", 4", 6"	448.00
ZN536	D.C.C.I. Body with Polished Nickel Bronze Top	3", 4", 6"	752.00
OUTLETS (SPECIFY PIPE SIZE IN INCHES AND TYPE OF OUTLET)			
OUTLET TYPE	PIPE SIZE/OUTLET TYPE	E BODY HT. DIM.	ADD
IC	Inside Caulk	3IC, 4IC, 6IC	5-1/4" [133mm] N/C
IP	Threaded	3IP, 4IP, 6IP	3-3/4" [95mm] 72.00
NH	No-Hub	3NH, 4NH, 6NH	5-1/4" [133mm] N/C
NL	Neo-Loc	3NL, 4NL	4-5/8" [117mm] N/C
SUFFIXES			ADD
-FO	3-1/2" x 9" [89mm x 229mm] Funnel (See Z414-1)	Z	117.00
		ZN	244.00
-G	Galvanized Complete		341.00
-P	1/2" [13mm] Trap Primer Connection		16.00
-VP	Vandal-Proof Secured Top		101.00
-Y	Sediment Bucket		42.00

Z536 15-3/8" [391 MM] DIAMETER HEAVY-DUTY PARKING DECK DRAIN WITH SUPPORT FLANGE



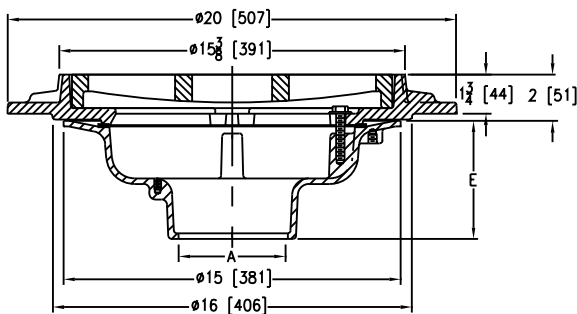
ENGINEERING SPECIFICATION

Zurn Z536 15-3/8" [391mm] diameter parking deck drain features Dura-Coated cast iron body with bottom outlet, heavy-duty, gasketed drain support flange with heavy-duty, slotted grate.

NOTES

†Add 3/16" [5mm] to 2" [51mm] dimension for ZN

A Pipe Size inch [mm]	Grate Open Area sq in [cm ²]	Approximate Weight lb [kg]
3 [76], 4 [102], 6 [152]	56 [361]	95 [43]
8 [203]		97 [44]



PREFIXES	DESCRIPTION	PIPE SIZE	LIST PRICE
Z536*	D.C.C.I. Body and Top	3", 4", 6" 8"	2,478.00 2,776.00
ZN536	D.C.C.I. Body with Polished Nickel Bronze Top	3", 4", 6" 8"	3,185.00 3,483.00
OUTLETS (SPECIFY PIPE SIZE IN INCHES AND TYPE OF OUTLET)			
OUTLET TYPE	PIPE SIZE/OUTLET TYPE	E BODY HT. DIM.	ADD
IP	Threaded	4IP	3-3/4" [95mm] 61.00
NH	No-Hub	3NH, 4NH, 6NH, 8NH	5-1/4" [133mm] N/C
NL	Neo-Loc	3NL, 4NL	4-5/8" [117mm] N/C
SUFFIXES			ADD
-C	Underdeck Clamp		189.00
-DG	Duresist Grate		944.00
-G	Galvanized Cast Iron		859.00
-VP	Vandal-Proof Secured Top		116.00
-Y	Sediment Bucket		246.00

Z537 15-7/8" [403 MM] SQUARE TOP HEAVY-DUTY PARKING DECK DRAIN WITH SUPPORT FLANGE



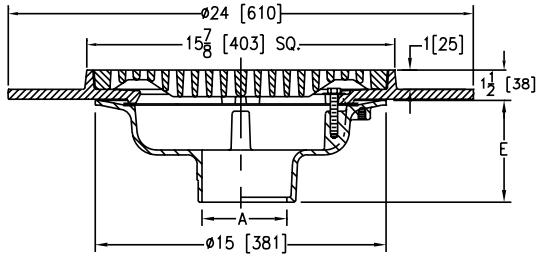
ENGINEERING SPECIFICATION

Zurn Z537 15-7/8" [403mm] square top parking deck drain features Dura-Coated cast iron body with bottom outlet, heavy-duty, gasketed drain support flange with heavy-duty, slotted ductile iron grate.

NOTES

+Add 3/16" [5mm] to 1-1/2" [38mm] dimension for ZN

A Pipe Size inch [mm]	Grate Open Area sq in [cm ²]	Approximate Weight lb [kg]
2 [51], 3 [76], 4 [102], 6 [152]	79 [510]	122 [55]
8 [203]		124 [56]



PREFIXES	DESCRIPTION	PIPE SIZE	LIST PRICE
Z537*	D.C.C.I. Body and Top	2", 3", 4", 5", 6"	2,510.00
		8"	2,625.00
ZN537	D.C.C.I. Body with Polished Nickel Bronze Top	2", 3", 4", 5", 6"	3,851.00
		8"	3,963.00

OUTLETS (SPECIFY PIPE SIZE IN INCHES AND TYPE OF OUTLET)				
OUTLET TYPE		PIPE SIZE/OUTLET TYPE	E BODY HT. DIM.	ADD
IP	Threaded	3IP, 4IP, 6IP, 8IP	3-3/4" [95mm]	60.00
NH	No-Hub	3NH, 4NH, 6NH, 8NH	5-1/4" [133mm]	N/C
NL	Neo-Loc	2NL, 3NL, 4NL	4-5/8" [117mm]	N/C

SUFFIXES		ADD
-C	Underdeck Clamp	186.00
-G	Galvanized Cast Iron	490.00
-VP	Vandal-Proof Secured Top	131.00
-Y	Sediment Bucket	242.00

*Regularly furnished unless otherwise specified.

⌚ This symbol denotes a product that is engineered to reduce installation and rework time.

For additional product information, please visit www.zurn.com

Z539 12-1/4" [311 MM] HEAVY-DUTY DRAIN WITH DEEP SUMP



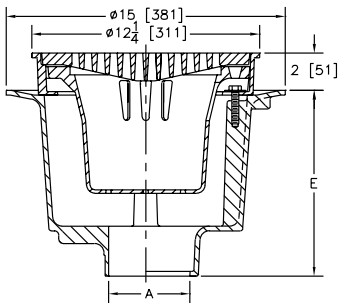
ENGINEERING SPECIFICATION

Zurn Z539 12-1/4" [311mm] diameter top drain features Dura-Coated cast iron deep sump body with bottom outlet, seepage pan, and combination membrane flashing clamp and frame for sediment bucket and heavy-duty, slotted grate.

NOTES

†Add 3/16" [5mm] to 2" [51mm] dimension and 3/4" [19mm] to 12-1/4" [311mm] dimension for ZN

A Pipe Size inch [mm]	Grate Open Area sq in [cm ²]	Approximate Weight lb [kg]
3 [76], 4 [102], 6 [152]	30 [194]	68 [31]
8 [203]		



PREFIXES	DESCRIPTION	PIPE SIZE	LIST PRICE
Z539*	D.C.C.I. Body and Top	3", 4", 6"	1,060.00
		8"	1,101.00
ZN539	D.C.C.I. Body with Polished Nickel Bronze Top	3", 4", 6"	1,563.00
		8"	1,754.00
OUTLETS (SPECIFY PIPE SIZE IN INCHES AND TYPE OF OUTLET)			
OUTLET TYPE	PIPE SIZE/OUTLET TYPE	E BODY HT. DIM.	ADD
NH	No-Hub	3NH, 4NH, 6NH, 8NH	10" [254mm] N/C
NL	Neo-Loc	3NL, 4NL	9-5/16" [237mm] N/C
SUFFIXES			ADD
-G	Galvanized Cast Iron		536.00
-HP	Heel-Proof Grate		N/C
-SS	Stainless Steel Mesh Liner for Bucket		POA
-T	Square Top	Z	320.00
		ZN	453.00
-TC	Neo-Loc Test Cap Gasket (3", 4" NL Bottom Outlet Only)		86.00
-TS	Top Secured with Slotted Screws		101.00
-VP	Vandal-Proof Secured Top		131.00
-YF	Free Standing Bucket		N/C

Z540 12-1/4" [311 MM] MEDIUM-DUTY DRAIN WITH SUR-SET BUCKET



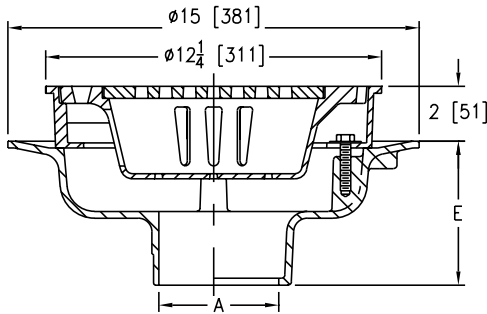
ENGINEERING SPECIFICATION

Zurn Z540 12-1/4" [311mm] diameter top drain features Dura-Coated cast iron body with bottom outlet, seepage pan, and combination membrane flashing clamp and frame for Sur-Set bucket and medium-duty, slotted grate.

NOTES

†Add 3/16" [5mm] to 2" [51mm] dimension and 3/4" [19mm] to 12-1/4" [311mm] dimension for ZN

A Pipe Size inch [mm]	Grate Open Area sq in [cm ²]	Approximate Weight lb [kg]
2 [51], 3 [76], 4 [102]	18 [116]	44 [20]
6 [152]		45 [20]
8 [203]		46 [21]



PREFIXES	DESCRIPTION	PIPE SIZE	LIST PRICE
Z540*	D.C.C.I. Body and Top	2", 3", 4", 6"	942.00
		8"	1,134.00
ZN540	D.C.C.I. Body with Polished Nickel Bronze Top	2", 3", 4", 6"	1,393.00
		8"	1,582.00

OUTLETS (SPECIFY PIPE SIZE IN INCHES AND TYPE OF OUTLET)			
OUTLET TYPE		PIPE SIZE/OUTLET TYPE	E BODY HT. DIM. ADD
IC	Inside Caulk	3IC, 4IC, 6IC	5-1/4" [133mm] N/C
IG	Inside Gasket	3IG, 4IG, 6IG	5-1/4" [133mm] N/C
NH	No-Hub	2NH, 3NH, 4NH, 6NH, 8NH	5-1/4" [133mm] N/C
NL	Neo-Loc	2NL, 3NL, 4NL	4-5/8" [117mm] N/C

SUFFIXES		ADD
-DG	Duresist Grate	441.00
-G	Galvanized Cast Iron	246.00
-P	Trap Primer Connection	16.00
Ⓢ -SA	Stabilizer Assembly (See Z1036)	-
Ⓢ -TC	Neo-Loc Test Cap Gasket (2", 3", 4" NL Bottom Outlet Only)	86.00
-TS	Top Secured with Slotted Screws	101.00
-VP	Vandal-Proof Secured Top	131.00
-90	90° Threaded Side Outlet Body Assembly	403.00

*Regularly furnished unless otherwise specified.

Ⓢ This symbol denotes a product that is engineered to reduce installation and rework time.

For additional product information, please visit www.zurn.com

Z541 12-1/4" [311 MM] DIAMETER HEAVY-DUTY DRAIN



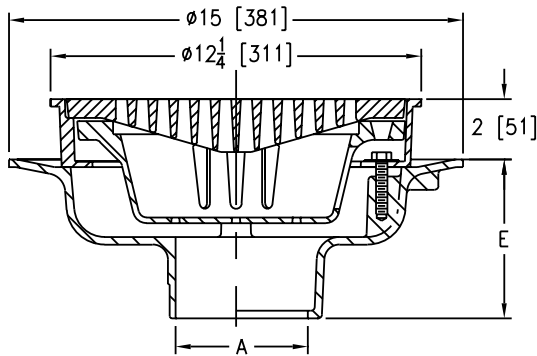
ENGINEERING SPECIFICATION

Zurn Z541 12-1/4" [311mm] diameter top drain features Dura-Coated cast iron body with bottom outlet, seepage pan, and combination membrane flashing clamp and frame for anti-tilt, heavy-duty, slotted grate with suspended polypropylene sediment bucket.

NOTES

*Add 3/16" [5mm] to 2" [51mm] dimension and 3/4" [19mm] to 12-1/4" [311mm] dimension for ZB and ZN

A Pipe Size inch [mm]	Grate Open Area sq in [cm ²]	Approximate Weight lb [kg]
2 [51], 3 [76], 4 [102]	30 [194]	51 [23]
6 [152]		52 [24]
8 [203]		53 [24]



PREFIXES	DESCRIPTION	PIPE SIZE	LIST PRICE
Z541*	D.C.C.I. Body and Top	2", 3", 4", 6" 8"	619.00 802.00
ZB541	D.C.C.I. Body with Polished Bronze Top	2", 3", 4", 6" 8"	876.00 1,075.00
ZN541	D.C.C.I. Body with Polished Nickel Bronze Top	2", 3", 4", 6" 8"	905.00 1,107.00

OUTLETS (SPECIFY PIPE SIZE IN INCHES AND TYPE OF OUTLET)			
OUTLET TYPE	PIPE SIZE/OUTLET TYPE	E BODY HT. DIM.	ADD
IC	Inside Caulk	3IC, 4IC, 6IC	5-1/4" [133mm] N/C
IG	Inside Gasket	3IG, 4IG, 6IG	5-1/4" [133mm] N/C
IP	Threaded	2IP, 3IP, 4IP, 6IP, 8IP	3-3/4" [95mm] 60.00
NH	No-Hub	2NH, 3NH, 4NH, 6NH, 8NH	5-1/4" [133mm] N/C
NL	Neo-Loc	2NL, 3NL, 4NL	4-5/8" [117mm] N/C

SUFFIXES	ADD
-AR	Acid Resisting Epoxy Coated Cast Iron 342.00
-DG	Duresist Grate 443.00
-DX	Dex-O-Tex Flange 503.00
-G	Galvanized Cast Iron 246.00
-H	Hinged Grate 186.00
-HP	Heel-Proof Grate N/C
-P	Trap Primer Connection 16.00
-S	Secondary Strainer 73.00
Ⓢ -SA	Stabilizer Assembly (See Z1036) -
-SS	Stainless Steel Mesh Liner for Bucket 386.00
Ⓢ -TC	Neo-Loc Test Cap Gasket (2", 3", 4" NL Bottom Outlet Only) 86.00
-TG	Tractor Grate 188.00
-TS	Top Secured with Slotted Screws 101.00
-TSP	Trap Seal Protection Device (Size Matches Drain Outlet Selected, See Z1072) POA
-V	Backwater Valve (See Z1099) -
-VP	Vandal-Proof Secured Top 131.00
-WS	Wide Slotted Grate (50 sq. in. [323 cm ² open) N/C
-YC	Cast Iron Sediment Bucket 159.00
-90	90° Threaded Side Outlet Body Assembly (2" thru 6" [51mm -152mm]) POA
DEDUCT	
-LY	Less Sediment Bucket 47.00

Z545 16" DIAMETER HEAVY-DUTY DRAIN



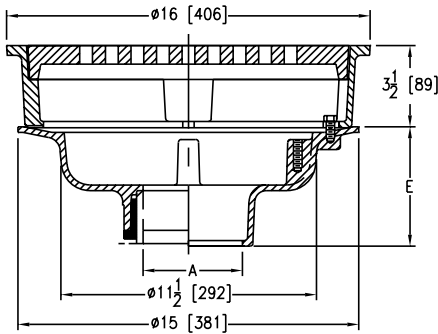
ENGINEERING SPECIFICATION

Zurn Z545 16" [152mm] diameter top drain features Dura-Coated cast iron body with bottom outlet, seepage pan, and combination membrane flashing clamp and frame for heavy-duty cast iron, slotted grate.

NOTES

*Add 3/16" [5mm] to 3-1/2" [89mm] dimension for ZB and ZN

A Pipe Size inch [mm]	Grate Open Area sq in [cm ²]	Approximate Weight lb [kg]
2 [51], 3 [76], 4 [102], 6 [152]	45 [290]	69 [31]
8 [203]		71 [32]
10 [254]		70 [32]



PREFIXES	DESCRIPTION	PIPE SIZE	LIST PRICE
Z545*	D.C.C.I. Body and Top	2", 3", 4", 6", 8" 10"	2,028.00 2,142.00
ZB545	D.C.C.I. Body with Polished Bronze Top	2", 3", 4", 6", 8" 10"	4,226.00 4,339.00
ZN545	D.C.C.I. Body with Polished Nickel Bronze Top	2", 3", 4", 6", 8" 10"	4,331.00 4,446.00

OUTLETS (SPECIFY PIPE SIZE IN INCHES AND TYPE OF OUTLET)				
OUTLET TYPE		PIPE SIZE/OUTLET TYPE	E BODY HT. DIM.	ADD
IC	Inside Caulk	3IC, 4IC	5-1/4" [133mm]	N/C
IG	Inside Gasket	3IG, 4IG	5-1/4" [133mm]	N/C
IP	Threaded	2IP, 3IP, 4IP, 6IP, 8IP, 10IP	3-3/4" [95mm]	POA
NH	No-Hub	2NH, 3NH, 4NH, 6NH, 8NH	5-1/4" [133mm]	N/C
NL	Neo-Loc	2NL, 3NL, 4NL	4-5/8" [117mm]	N/C

SUFFIXES		ADD
-DG	Duresist Grate	489.00
-G	Galvanized Cast Iron	341.00
-P	Trap Primer Connection	16.00
-TC	Neo-Loc Test Cap Gasket (2", 3", 4" NL Bottom Outlet Only)	86.00
-VP	Vandal-Proof Secured Top	131.00

*Regularly furnished unless otherwise specified.

⌚ This symbol denotes a product that is engineered to reduce installation and rework time.

For additional product information, please visit www.zurn.com

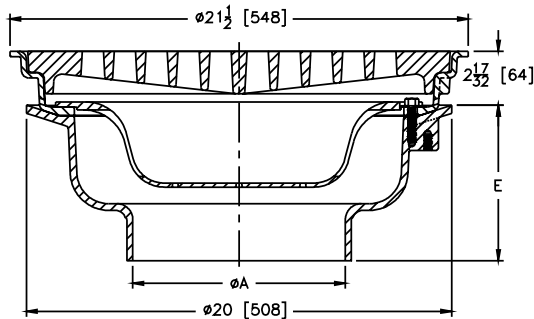
Z546 21-1/2" [546 MM] DIAMETER EXTRA HEAVY-DUTY DRAIN



ENGINEERING SPECIFICATION

Zurn Z546 21-1/2" [546mm] diameter top drain features Dura-Coated cast iron body with bottom outlet, seepage pan, and combination membrane flashing clamp and frame with seepage holes, extra heavy-duty, cast iron, slotted grate with suspended sediment bucket.

A Pipe Size inch [mm]	Grate Open Area sq in [cm ²]	Approximate Weight lb [kg]
8 [203]	110 [710]	163 [74]
10 [254]		
12 [305]		



PREFIXES	DESCRIPTION	PIPE SIZE	LIST PRICE
Z546*	D.C.C.I. Body and Top	8"	1,889.00
		10"	1,959.00
		12"	2,051.00

OUTLETS (SPECIFY PIPE SIZE IN INCHES AND TYPE OF OUTLET)			
OUTLET TYPE	PIPE SIZE/OUTLET TYPE	E BODY HT. DIM.	ADD
NH	No-Hub	8NH, 10NH, 12NH	7-5/16" [186mm] N/C
SUFFIXES			
ADD			
-F	Extension Frame - 1"-4" [25mm-102mm] (Specify Height)	D.C.	742.00
		Galv.	1,124.00
-G	Galvanized Cast Iron		996.00
-TS	Top Secured with Slotted Screws		157.00
-VP	Vandal-Proof Secured Top		180.00

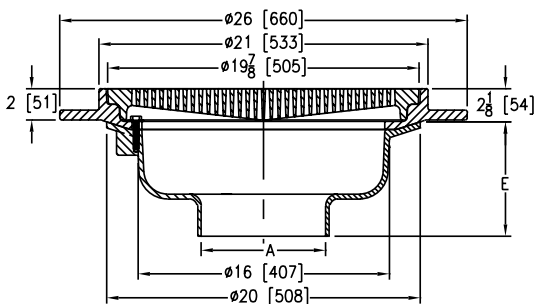
Z547 21" [533 MM] DIAMETER EXTRA HEAVY-DUTY HEEL-PROOF PARKING DECK DRAIN WITH SUPPORT FLANGE



ENGINEERING SPECIFICATION

Zurn Z547 21" [533mm] diameter parking deck drain features Dura-Coated cast iron body with bottom outlet, combination membrane flashing clamp with support flange, and extra heavy-duty, heel-proof, slotted grate.

A Pipe Size inch [mm]	Grate Open Area sq in [cm ²]	Approximate Weight lb [kg]
8 [203]	112 [723]	163 [74]
10 [254]		
12 [305]		



PREFIXES	DESCRIPTION	PIPE SIZE	LIST PRICE
Z547*	D.C.C.I. Body and Flange (with Duresist Grate)	8"	2,097.00
		10"	2,201.00
		12"	2,261.00

OUTLETS (SPECIFY PIPE SIZE IN INCHES AND TYPE OF OUTLET)			
OUTLET TYPE	PIPE SIZE/OUTLET TYPE	E BODY HT. DIM.	ADD
NH	No-Hub	8NH, 10NH, 12NH	7-5/16" [186mm] N/C
SUFFIXES			
ADD			
-G	Galvanized Cast Iron		751.00
-TS	Top Secured with Slotted Screws		101.00
-VP	Vandal-Proof Secured top		101.00

Z550 9" [229 MM] DIAMETER MEDIUM-DUTY DRAIN



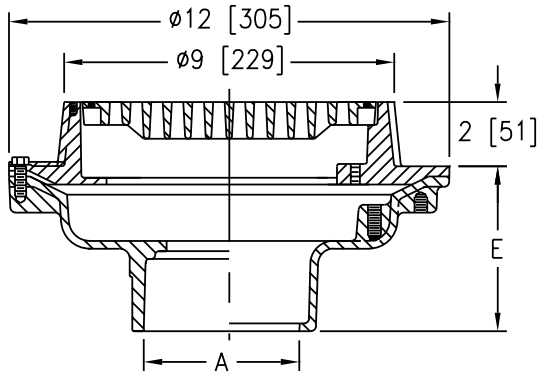
ENGINEERING SPECIFICATION

Zurn Z550 9" [229mm] diameter top drain features Dura-Coated cast iron body with bottom outlet, seepage pan, and combination membrane flashing clamp and frame for medium-duty cast iron, heel-proof, slotted grate.

NOTES

†Add 3/16" [5mm] to 2" [51mm] dimension and 3/4" [19mm] to 9" [229mm] dimension for ZB and ZN

A Pipe Size inch [mm]	Grate Open Area sq in [cm ²]	Approximate Weight lb [kg]
2 [51], 3 [76], 4 [102]	18 [116]	28 [13]
6 [152]		30 [14]



PREFIXES	DESCRIPTION	PIPE SIZE	LIST PRICE
Z550*	D.C.C.I. Body and Top	2", 3", 4"	448.00
		6"	534.00
ZB550	D.C.C.I. Body with Polished Bronze Top	2", 3", 4"	786.00
		6"	872.00
ZN550	D.C.C.I. Body with Polished Nickel Bronze Top	2", 3", 4"	826.00
		6"	914.00

OUTLETS (SPECIFY PIPE SIZE IN INCHES AND TYPE OF OUTLET)				
OUTLET TYPE		PIPE SIZE/OUTLET TYPE	E BODY HT. DIM.	ADD
IC	Inside Caulk	3IC, 4IC	3-3/4" [95mm]	N/C
IG	Inside Gasket	3IG, 4IG	3-3/4" [95mm]	N/C
IP	Threaded	3IP, 4IP	2-3/4" [70mm]	60.00
NH	No-Hub	2NH, 3NH, 4NH	4-3/4" [121mm]	N/C
		6NH	5-1/4" [133mm]	N/C
NL	Neo-Loc	2NL, 3NL, 4NL	3-1/2" [89mm]	N/C

SUFFIXES			ADD
-AR	Acid Resisting Epoxy Coated Cast Iron		326.00
-D	Dome Grate	Z	98.00
		ZB	223.00
		ZN	277.00
-DG	Duresist Grate		399.00
-G	Galvanized Cast Iron		236.00
-P	Trap Primer Connection		16.00
-S	Secondary Strainer		73.00
-SS	Stainless Mesh Liner for Bucket		386.00
Ⓢ -TC	Neo-Loc Test Cap Gasket (2", 3", 4" NL Bottom Outlet Only)		86.00
-TG	Tractor Grate		104.00
-TS	Top Secured with Slotted Screws		101.00
-TSP	Trap Seal Protection Device (Size Matches Drain Outlet Selected, See Z1072)		POA
-VP	Vandal-Proof Secured Top		131.00
-Y	Sediment Bucket		POA
-90	90° Threaded Side Outlet Body Assembly (3" [76mm], 4" [102mm])		403.00

*Regularly furnished unless otherwise specified.

Ⓢ This symbol denotes a product that is engineered to reduce installation and rework time.

For additional product information, please visit www.zurn.com

Z551 9" [229 MM] DIAMETER MEDIUM-DUTY DRAIN



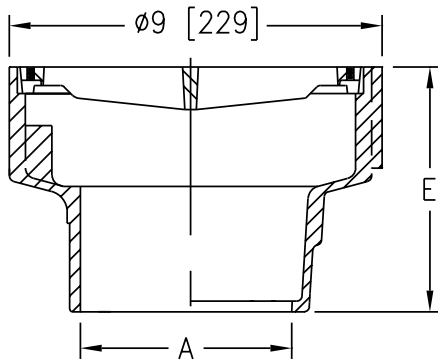
ENGINEERING SPECIFICATION

Zurn Z551 9" [229mm] diameter top drain features Dura-Coated cast iron body with bottom outlet and medium-duty, slotted grate.

NOTES

†Add 3/16" [5mm] to 'E' dimension and 3/4" [19mm] to 9" [229mm] dimension for ZN

A Pipe Size inch [mm]	Grate Open Area sq in [cm ²]	Approximate Weight lb [kg]
2 [51], 3 [76], 4 [102]	18 [116]	19 [9]



PREFIXES	DESCRIPTION	PIPE SIZE	LIST PRICE
Z551*	D.C.C.I. Body and Top	2", 3", 4"	381.00
ZN551	D.C.C.I. Body with Polished Nickel Bronze Top	2", 3", 4"	784.00
OUTLETS (SPECIFY PIPE SIZE IN INCHES AND TYPE OF OUTLET)			
OUTLET TYPE	PIPE SIZE/OUTLET TYPE	E BODY HT. DIM.	ADD
IP	Threaded	4IP 4" [102mm]	60.00
NH	No-Hub	2NH, 3NH, 4NH 5-3/4" [146mm]	N/C
NL	Neo-Loc	2NL, 3NL, 4NL 5-1/8" [130mm]	N/C
SUFFIXES			ADD
-D	Dome Grate	Z ZN	98.00 284.00
-DG	Duresist Grate		399.00
-G	Galvanized Cast Iron		236.00
-P	Trap Primer Connection		16.00
-SS	Stainless Mesh Liner for Bucket		386.00
Ⓢ -TC	Neo-Loc Test Cap Gasket (2", 3", 4" NL Bottom Outlet Only)		86.00
-TG	Tractor Grate		104.00
-TS	Top Secured with Slotted Screws		101.00
-VP	Vandal-Proof Secured Top		131.00
-Y	Sediment Bucket		159.00

Z554 9" [229 MM] MEDIUM-DUTY DRAIN WITH SUR-SET BUCKET



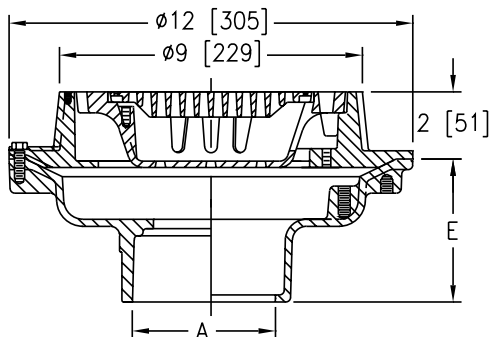
ENGINEERING SPECIFICATION

Zurn Z554 9" [229mm] diameter top drain features Dura-Coated cast iron body with bottom outlet, seepage pan, combination membrane flashing clamp and frame, and medium-duty cast iron grate with Sur-Set bucket.

NOTES

†Add 3/16" [5mm] to 2" [51mm] dimension and 3/4" [19mm] to 9" [229mm] for ZB and ZN

A Pipe Size inch [mm]	Grate Open Area sq in [cm ²]	Approximate Weight lb [kg]
2 [51], 3 [76], 4 [102]	9 [58]	21 [10]



PREFIXES	DESCRIPTION	PIPE SIZE	LIST PRICE
Z554*	D.C.C.I. Body and Top	2", 3", 4"	448.00
ZB554	D.C.C.I. Body with Polished Bronze Top	2", 3", 4"	758.00
ZN554	D.C.C.I. Body with Polished Nickel Bronze Top	2", 3", 4"	825.00
OUTLETS (SPECIFY PIPE SIZE IN INCHES AND TYPE OF OUTLET)			
OUTLET TYPE	PIPE SIZE/OUTLET TYPE	E BODY HT. DIM.	ADD
IP	Threaded	4IP 2-3/4" [70mm]	60.00
NH	No-Hub	2NH, 3NH, 4NH 4-3/4" [121mm]	N/C
NL	Neo-Loc	2NL, 3NL, 4NL 3-1/2" [89mm]	N/C
SUFFIXES			ADD
-AR	Acid Resisting Epoxy Coated Cast Iron		381.00
-G	Galvanized Cast Iron		356.00
-P	Trap Primer Connection		16.00
Ⓢ -TC	Neo-Loc Test Cap Gasket (2", 3", 4" NL Bottom Outlet Only)		86.00
-TS	Top Secured with Slotted Screws		101.00
-VP	Vandal-Proof Secured Top		131.00

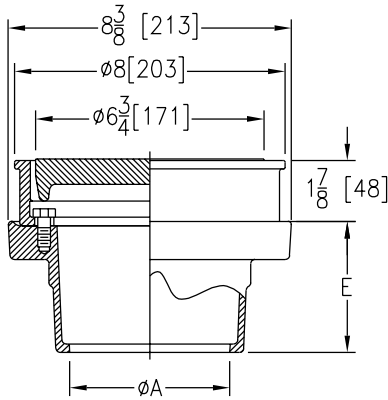
Z555 8" [203 MM] HEAVY-DUTY FLOOR DRAIN WITH DEEP ANTI-TILT GRATE



ENGINEERING SPECIFICATION

Zurn Z555 8" [203mm] diameter heavy-duty floor drain, Dura-Coated cast iron bottom outlet body, seepage pan and combination membrane flashing clamp and frame for heavy-duty deep anti-tilt cast iron grate.

A Pipe Size inch [mm]	Grate Open Area sq in [cm ²]	Approximate Weight lb [kg]
2 [51], 3 [76], 4 [102]	11 [71]	19 [9]
6 [152]		



PREFIXES	DESCRIPTION	PIPE SIZE	LIST PRICE
Z555*	D.C.C.I. Body and Top	2", 3", 4"	248.00
		6"	467.00
ZN555	D.C.C.I. Body with Polished Nickel Bronze Top	2", 3", 4"	542.00
		6"	761.00
OUTLETS (SPECIFY PIPE SIZE IN INCHES AND TYPE OF OUTLET)			
OUTLET TYPE	PIPE SIZE/OUTLET TYPE	E BODY HT. DIM.	ADD
IC	Inside Caulk	2IC, 3IC, 4IC	3-7/8" [98mm] N/C
IG	Inside Gasket	2IG, 3IG, 4IG	3-7/8" [98mm] 30.00
IP	Threaded	2IP, 3IP, 4IP, 6IP	2-5/8" [67mm] 72.00
NH	No-Hub	2NH, 3NH, 4NH	3-7/8" [98mm] N/C
		6NH (IP with Z1040)	5-1/2" [140mm] 263.00
NL	Neo-Loc	2NL, 3NL, 4NL	4-5/8" [117mm] 30.00
SUFFIXES			ADD
-AR	Acid-Resisting Epoxy Coated Cast Iron		248.00
-FO	3-1/2" x 9" [89mm x 229mm] Funnel		119.00
-FS	Floating Slab		341.00
-G	Galvanized Cast Iron		341.00
-P	Trap Primer Connection		16.00
-TC	Neo-Loc Test Cap Gasket (2"-4" [51mm-102mm] NL Bottom Outlet Only)		86.00
-TS	Top Secured with Slotted Screws		143.00
-V	Backwater Valve (See Z1099)		-
-VP	Vandal-Proof Secured Top		101.00
-Y	Sediment Bucket		38.00
-90	90° Threaded Side Outlet Body Assembly (3" [76mm], 4" [102mm])		144.00

*Regularly furnished unless otherwise specified.

⌚ This symbol denotes a product that is engineered to reduce installation and rework time.

For additional product information, please visit www.zurn.com

Z556 8" [203 MM] ADJUSTABLE HEAVY-DUTY DRAIN



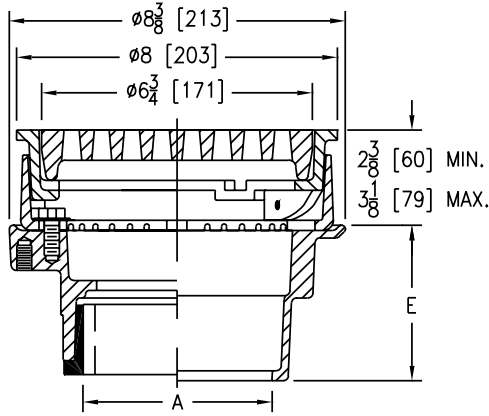
ENGINEERING SPECIFICATION

Zurn Z556 8" [203mm] diameter top drain features Dura-Coated cast iron body with bottom outlet, seepage pan, and combination membrane flashing clamp and frame for adjustable extension with heavy-duty, slotted, cast iron grate.

NOTES

†Add 3/16" [5mm] to 2-3/8" [60mm] through 3-1/8" [79mm] dimension for ZB and ZN

A Pipe Size inch [mm]	Grate Open Area sq in [cm ²]	Approximate Weight lb [kg]
2 [51], 3 [76], 4 [102]	11 [71]	19 [9]



PREFIXES	DESCRIPTION	PIPE SIZE	LIST PRICE
Z556*	D.C.C.I. Body and Top	2", 3", 4"	299.00
ZN556	D.C.C.I. Body with Polished Nickel Bronze Top	2", 3", 4"	598.00
OUTLETS (SPECIFY PIPE SIZE IN INCHES AND TYPE OF OUTLET)			
OUTLET TYPE	PIPE SIZE/OUTLET TYPE	E BODY HT. DIM.	ADD
IP	Threaded	2IP, 3IP, 4IP	2-5/8" [67mm] 72.00
NH	No-Hub	2NH, 3NH, 4NH	3-7/8" [98mm] N/C
NL	Neo-Loc	2NL, 3NL, 4NL	3-3/4" [95mm] N/C
SUFFIXES			ADD
-G	Galvanized Cast Iron		341.00
-P	Trap Primer Connection		16.00
-TS	Top Secured with Slotted Screws		143.00
-VP	Vandal-Proof Secured Top		101.00
-Y	Sediment Bucket		38.00

Z566 12" [305 MM] SQUARE OPEN TOP DRAIN



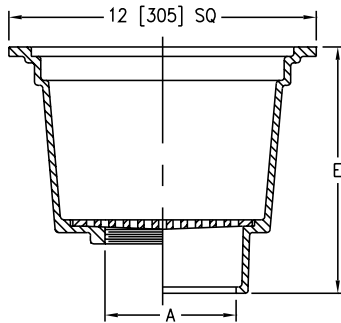
ENGINEERING SPECIFICATION

Zurn Z566 12" [305mm] square open top drain features Dura-Coated cast iron body with bottom outlet and loose set cast iron secondary strainer.

NOTES

†Add 3/16" [5mm] to 'E' dimension for ZN

A Pipe Size inch [mm]	Approximate Weight lb [kg]
2 [51], 3 [76], 4 [102]	42 [19]



PREFIXES	DESCRIPTION	PIPE SIZE	LIST PRICE
Z566*	D.C.C.I. Body and Top	2", 3", 4"	672.00
ZN566	D.C.C.I. Body with Polished Nickel Bronze Top	2", 3", 4"	1,228.00
OUTLETS (SPECIFY PIPE SIZE IN INCHES AND TYPE OF OUTLET)			
OUTLET TYPE	PIPE SIZE/OUTLET TYPE	E BODY HT. DIM.	ADD
IP	Threaded	3IP, 4IP	7-5/8" [194mm] 60.00
NL	Neo-Loc	2NL, 3NL, 4NL	9" [229mm] N/C
SUFFIXES			ADD
-AR	Acid Resisting Epoxy Coated Cast Iron		575.00
-G	Galvanized Cast Iron		439.00
-GT	Top Grate	Z	147.00
		ZN	451.00
Ⓢ -TC	Neo-Loc Test Cap Gasket (2", 3", 4" NL Bottom Outlet Only)		26.00
-Y	Sediment Bucket		185.00

Z575 6" X 12" [152 MM X 305 MM] MEDIUM-DUTY GUTTER DRAIN



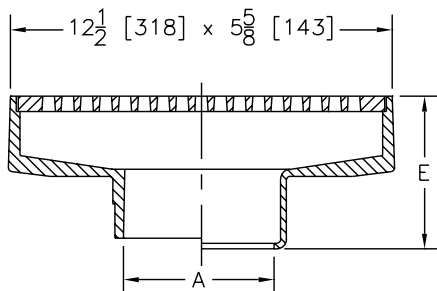
ENGINEERING SPECIFICATION

Zurn Z575 6" x 12" [152mm x 305mm] top gutter drain features Dura-Coated cast iron body with bottom outlet and medium-duty, cast iron, anti-tilt, slotted grate.

NOTES

†Add 3/16" [5mm] to 'E' dimension for ZB and ZN

A Pipe Size inch [mm]	Grate Open Area sq in [cm ²]	Approximate Weight lb [kg]
2 [51], 3 [76], 4 [102]	24 [155]	18 [8]



PREFIXES	DESCRIPTION	PIPE SIZE	LIST PRICE
Z575*	D.C.C.I. Body and Top	2", 3", 4"	586.00
ZB575	D.C.C.I. Body with Polished Bronze Top	2", 3", 4"	1,130.00
ZN575	D.C.C.I. Body with Polished Nickel Bronze Top	2", 3", 4"	1,166.00
OUTLETS (SPECIFY PIPE SIZE IN INCHES AND TYPE OF OUTLET)			
OUTLET TYPE	PIPE SIZE/OUTLET TYPE	E BODY HT. DIM.	ADD
IC	Inside Caulk	2IC, 3IC, 4IC	5" [127mm] N/C
IG	Inside Gasket	2IG, 3IG, 4IG	5" [127mm] 30.00
IP	Threaded	2IP, 3IP, 4IP	3-5/8" [92mm] 72.00
NH	No-Hub (IP w/Z1040)	2NH, 3NH, 4NH	- N/C
NL	Neo-Loc	2NL, 3NL, 4NL	4-1/2" [114mm] 30.00
SUFFIXES			ADD
-DG	Duresist Grate		233.00
-G	Galvanized Cast Iron		128.00
-K	Seepage Pan		432.00
-KC	Seepage Pan with Clamp Collar		500.00
Ⓢ -TC	Neo-Loc Test Cap Gasket (2", 3", 4" NL Bottom Outlet Only)		86.00
-TS	Top Secured with Slotted Screws		42.00
-V	Backwater Valve (See Z1099)		-
-VP	Vandal-Proof Secured Top		115.00

*Regularly furnished unless otherwise specified.

Ⓢ This symbol denotes a product that is engineered to reduce installation and rework time.

For additional product information, please visit www.zurn.com

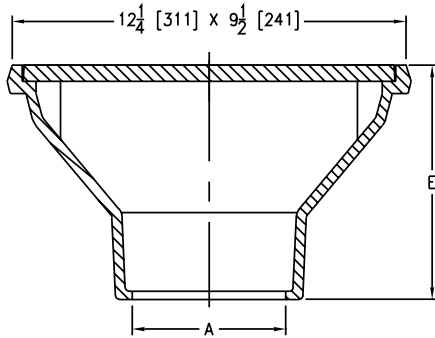
Z587 12-1/4" X 9-1/2" [311 MM X 241 MM] MEDIUM-DUTY DRAIN



ENGINEERING SPECIFICATION

Zurn Z587 12-1/4" x 9-1/2" [311mm x 241mm] top drain features Dura-Coated cast iron body with bottom outlet and medium-duty, cast iron, slotted grate.

A Pipe Size inch [mm]	Grate Open Area sq in [cm ²]	Approximate Weight lb [kg]
2 [51], 3 [76], 4 [102]	24 [155]	31 [14]



PREFIXES	DESCRIPTION	PIPE SIZE	LIST PRICE	
Z587*	D.C.C.I. Body and Top	2", 3", 4"	1,079.00	
OUTLETS (SPECIFY PIPE SIZE IN INCHES AND TYPE OF OUTLET)				
OUTLET TYPE	PIPE SIZE/OUTLET TYPE	E BODY HT. DIM.	ADD	
NH	No-Hub	2NH, 3NH, 4NH	7-3/16" [183mm]	N/C
SUFFIXES			ADD	
-G	Galvanized Cast Iron		439.00	
-TS	Top Secured with Slotted Screws		102.00	
-VP	Vandal-Proof Secured Top		131.00	

Z609 9" [229 MM] SQUARE HEAVY-DUTY DRAIN



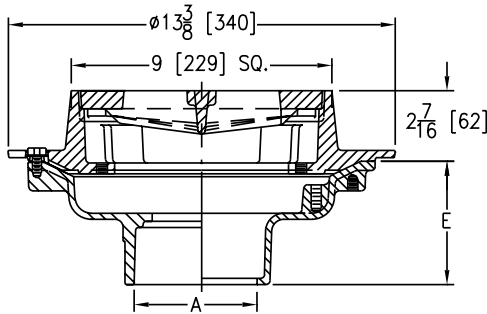
ENGINEERING SPECIFICATION

Zurn Z609 9" [229mm] square top drain features Dura-Coated cast iron body with bottom outlet, seepage pan, heavy-duty, cast iron, anti-tilt, slotted grate, and combination membrane flashing clamp and frame.

NOTES

[†]Add 3/16" [5mm] to 2-7/16" [62mm] dimension and 3/4" [19mm] to 9" [229mm] dimension for ZB and ZN

A Pipe Size inch [mm]	Grate Open Area sq in [cm ²]	Approximate Weight lb [kg]
2 [51], 3 [76], 4 [102]	14 [90]	32 [15]



PREFIXES	DESCRIPTION	PIPE SIZE	LIST PRICE
Z609*	D.C.C.I. Body and Top	2", 3", 4"	622.00
ZB609	D.C.C.I. Body with Polished Bronze Top	2", 3", 4"	1,272.00
ZN609	D.C.C.I. Body with Polished Nickel Bronze Top	2", 3", 4"	1,297.00

OUTLETS (SPECIFY PIPE SIZE IN INCHES AND TYPE OF OUTLET)			
OUTLET TYPE	PIPE SIZE/ OUTLET TYPE	E BODY HT. DIM.	ADD
IC	Inside Caulk	2IC, 3IC, 4IC	3-3/4" [95mm] N/C
IG	Inside Gasket	2IG, 3IG, 4IG	3-3/4" [95mm] N/C
IP	Threaded	2IP, 3IP, 4IP	2-3/4" [70mm] 60.00
NH	No-Hub (IP w/Z1040)	2NH, 3NH, 4NH	4-3/4" [121mm] N/C
NL	Neo-Loc	2NL, 3NL, 4NL	3-1/2" [89mm] N/C

SUFFIXES	ADD
-AR	Acid Resisting Epoxy Coated Cast Iron 342.00
-DG	Duresist Grate 455.00
-F	2" [51mm] High Extension (Per Inch) 218.00
-G	Galvanized Cast Iron 223.00
-GG	Galvanized Grate 151.00
-H	Hinged Grate N/C
-HL	Hinged Locking Grate 412.00
-P	Trap Primer Connection (Specify 1/2" [13mm] or 3/4" [19mm]) 16.00
-S	Secondary Strainer 75.00
-SC	Solid Cover 445.00
-SS	Stainless Steel Mesh Liner for Bucket 281.00
Ⓢ -TC	Neo-Loc Test Cap Gasket (2", 3", 4" NL Bottom Outlet Only) 86.00
-TS	Top Secured with Slotted Screws 101.00
-V	Backwater Valve (See Z1099) -
-VP	Vandal-Proof Secured Top 131.00
-Y	Sediment Bucket 159.00
-90	90° Threaded Side Outlet Body Assembly (2" thru 4" [51mm-102mm] Only) 403.00

*Regularly furnished unless otherwise specified.

Ⓢ This symbol denotes a product that is engineered to reduce installation and rework time.

For additional product information, please visit www.zurn.com

Z610 12-1/2" [318 MM] HEAVY-DUTY DRAIN



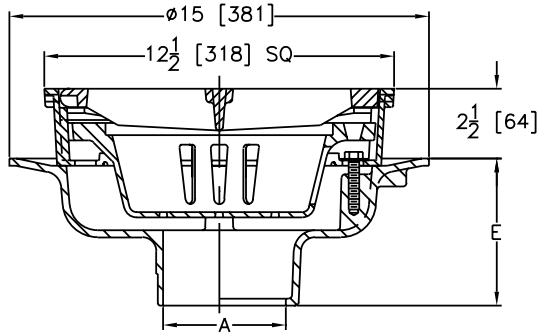
ENGINEERING SPECIFICATION

Zurn Z610 12-1/2" [318mm] square top drain features Dura-Coated cast iron body with bottom outlet, seepage pan, and combination membrane flashing clamp and frame for heavy-duty, cast iron, loose, slotted grate with suspended polypropylene sediment bucket.

NOTES

†Add 3/16" [5mm] to 2-1/2" [64mm] dimension and 3/4" [19mm] to 12-1/2" [318mm] dimension for ZB and ZN

A Pipe Size inch [mm]	Grate Open Area sq in [cm ²]	Approximate Weight lb [kg]
2 [51], 3 [76], 4 [102], 6 [152]	42 [271]	54 [24]
8 [203]		56 [25]



PREFIXES	DESCRIPTION	PIPE SIZE	LIST PRICE
Z610*	D.C.C.I. Body and Top	2", 3", 4"	689.00
		6"	866.00
		8"	1,061.00
ZB610	D.C.C.I. Body with Polished Bronze Top	2", 3", 4"	1,398.00
		6"	1,584.00
		8"	1,699.00
ZN610	D.C.C.I. Body with Polished Nickel Bronze Top	2", 3", 4"	1,441.00
		6"	1,633.00
		8"	1,736.00

OUTLETS (SPECIFY PIPE SIZE IN INCHES AND TYPE OF OUTLET)			
OUTLET TYPE		PIPE SIZE/OUTLET TYPE	E BODY HT. DIM. ADD
IC	Inside Caulk	3IC, 4IC, 6IC	5-1/4" [133mm] N/C
IG	Inside Gasket	3IG, 4IG, 6IG	5-1/4" [133mm] 30.00
IP	Threaded	2IP, 3IP, 4IP, 6IP	3-3/4" [95mm] 72.00
NH	No-Hub (IP w/ Z1040)	2NH, 3NH, 4NH, 6NH, 8NH	5-1/4" [133mm] N/C
NL	Neo-Loc	2NL, 3NL, 4NL	4-5/8" [117mm] 30.00

SUFFIXES		ADD
-AR	Acid Resisting Epoxy Coated Cast Iron	342.00
-DG	Duresist Grate	455.00
-DS	Ductile Iron Solid Cover	595.00
-DX	Dex-O-Tex Flange (ZB, ZN only)	ZB 768.00
		ZN 928.00
-F	2" [51mm] High Extension	218.00
-G	Galvanized Cast Iron	606.00
-H	Hinged Grate	188.00
-HC	Hinged Solid Cover	418.00
-HL	Hinged Locking Grate	413.00
-HLC	Hinged Locking Cover	453.00
-P	Trap Primer Connection	16.00
-S	Secondary Strainer	75.00
Ⓢ -SA	Stabilizer Assembly (See Z1036)	-
-SC	Solid Cover	380.00
-SS	Stainless Mesh Liner for Bucket	386.00
Ⓢ -TC	Neo-Loc Test Cap Gasket (2", 3", 4" NL Bottom Outlet Only)	86.00
-TS	Top Secured with Slotted Screws	100.00
-TSP	Trap Seal Protection Device (Size Matches Drain Outlet Selected, See Z1072)	POA
-V	Backwater Valve (See Z1099)	-
-VP	Vandal-Proof Secured Top	131.00
-YA	Aluminum Sediment Bucket	298.00
-YC	Cast Iron Sediment Bucket	159.00
-90	90° Threaded Side Outlet Body Assembly	POA
DEDUCT		
-LY	Less Sediment Bucket	47.00

Z610-ADJ 12" [305 MM] SQUARE HEAVY-DUTY ADJUSTABLE DRAIN



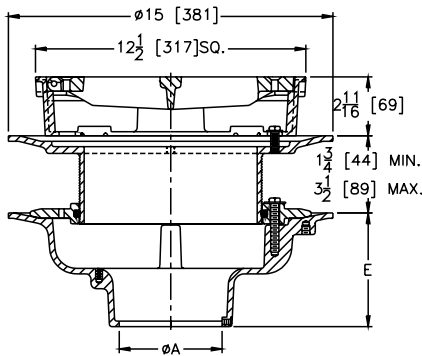
ENGINEERING SPECIFICATION

Zurn Z610-ADJ 12" [305mm] square top adjustable floor drain, Dura-Coated cast iron bottom outlet body, clamping collar, adjustable leveling frame, and heavy-duty grate.

NOTES

*Add 3/16" [5mm] to 2-11/16" [69mm] dimension and 3/4" [19mm] to 12-1/2" [318mm] dimension for ZB and ZN

A Pipe Size inch [mm]	Grate Open Area sq in [cm ²]	Approximate Weight lb [kg]
2 [51], 3 [76], 4 [102], 6 [152], 8 [203], 10 [254]	42 [271]	72 [33]



PREFIXES	DESCRIPTION	PIPE SIZE	LIST PRICE
Z610*	D.C.C.I. Body and Top	2", 3", 4"	1,109.00
		6"	1,284.00
		8"	1,349.00
		10"	1,349.00
ZN610	D.C.C.I. Body with Polished Nickel Bronze Top	2", 3", 4"	1,902.00
		6"	2,094.00
		8"	2,158.00
		10"	2,158.00

OUTLETS (SPECIFY PIPE SIZE IN INCHES AND TYPE OF OUTLET)				
OUTLET TYPE		PIPE SIZE/OUTLET TYPE	E BODY HT. DIM.	ADD
IC	Inside Caulk	3IC, 4IC, 6IC	5-1/4" [133mm]	N/C
IG	Inside Gasket	3IG, 4IG, 6IG	5-1/4" [133mm]	30.00
IP	Threaded	2IP, 3IP, 4IP, 6IP	3-3/4" [95mm]	72.00
NH	No-Hub (IP w/ Z1040)	2NH, 3NH, 4NH, 6NH, 8NH	5-1/4" [133mm]	N/C
NL	Neo-Loc	2NL, 3NL, 4NL	4-5/8" [117mm]	30.00

SUFFIXES		ADD	
-AR	Acid Resisting Epoxy Coated Cast Iron	559.00	
-DG	Duresist Grate	455.00	
-DS	Ductile Iron Solid Cover	595.00	
-DX	Dex-O-Tex Flange (ZB, ZN only)	ZB	768.00
		ZN	928.00
-G	Galvanized Cast Iron	606.00	
-H	Hinged Grate	188.00	
-HC	Hinged Solid Cover	418.00	
-HL	Hinged Locking Grate	413.00	
-HLC	Hinged Locking Cover	453.00	
-P	Trap Primer Connection	16.00	
-S	Secondary Strainer	75.00	
Ⓢ -SA	Stabilizer Assembly (See Z1036)	-	
-SC	Solid Cover	380.00	
-SS	Stainless Mesh Liner for Bucket	386.00	
Ⓢ -TC	Neo-Loc Test Cap Gasket (2", 3", 4" NL Bottom Outlet Only)	86.00	
-TS	Top Secured with Slotted Screws	100.00	
-V	Backwater Valve (See Z1099)	-	
-VP	Vandal-Proof Secured Top	131.00	
-Y	Suspended Polypropylene Sediment Bucket	47.00	
-YA	Aluminum Sediment Bucket	298.00	
-YC	Cast Iron Sediment Bucket	159.00	
-90	90° Threaded Side Outlet Body Assembly	POA	

*Regularly furnished unless otherwise specified.

Ⓢ This symbol denotes a product that is engineered to reduce installation and rework time.

For additional product information, please visit www.zurn.com

Z611 9" [229 MM] MEDIUM-DUTY DRAIN



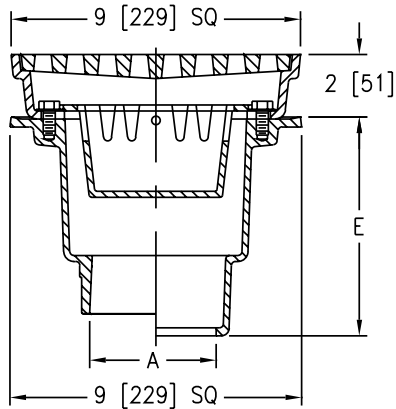
ENGINEERING SPECIFICATION

Zurn Z611 9" [229mm] square top drain features Dura-Coated cast iron body with bottom outlet, seepage pan, and combination membrane flashing clamp and frame for cast iron, medium-duty, slotted grate with suspended sediment bucket.

NOTES

†Add 3/16" [5mm] to 2" [51mm] and 9" [229mm] dimension for ZB and ZN

A Pipe Size inch [mm]	Grate Open Area sq in [cm ²]	Approximate Weight lb [kg]
2 [51], 3 [76], 4 [102]	26 [168]	29 [13]



PREFIXES	DESCRIPTION	PIPE SIZE	LIST PRICE
Z611*	D.C.C.I. Body and Top	2", 3", 4"	740.00
ZB611	D.C.C.I. Body with Polished Bronze Top	2", 3", 4"	1,089.00
ZN611	D.C.C.I. Body with Polished Nickel Bronze Top	2", 3", 4"	1,218.00

OUTLETS (SPECIFY PIPE SIZE IN INCHES AND TYPE OF OUTLET)			
OUTLET TYPE		PIPE SIZE/OUTLET TYPE	E BODY HT. DIM. ADD
IP	Threaded	2IP, 3IP, 4IP	5" [127mm] 60.00
NH	No-Hub (IP w/Z1040)	2NH, 3NH, 4NH	7-1/2" [191mm] N/C
NL	Neo-Loc	2NL, 3NL, 4NL	6-1/8" [156mm] N/C

SUFFIXES		ADD
-AR	Acid Resisting Epoxy Coated Cast Iron	342.00
-DG	Duresist Grate	455.00
-G	Galvanized Cast Iron	242.00
-P	Trap Primer Connection	16.00
-S	Secondary Strainer	75.00
Ⓢ -TC	Neo-Loc Test Cap Gasket (2", 3", 4" NL Bottom Outlet Only)	86.00
-V	Backwater Valve (See Z1099)	-
-VP	Vandal-Proof Secured Top	131.00
-90	90° Side Outlet Body Assembly (2" [51mm], 3" [76mm] Threaded Only)	403.00
		DEDUCT
-LY	Less Sediment Bucket	-10.00

Z624 ISOLATION DECK DRAIN



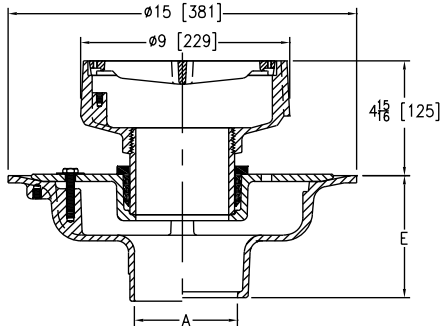
ENGINEERING SPECIFICATION

Zurn Z624 floating slab drain features Dura-Coated cast iron upper and lower bodies, clamp collar with weep holes, neoprene flex gasket, isolation nipple, and slotted grate.

NOTES

*Add 3/16" [5mm] to 4-15/16" [125mm] dimension for ZN

A Pipe Size inch [mm]	Grate Open Area sq in [cm ²]	Approximate Weight lb [kg]
2 [51], 3 [76], 4 [102]	18 [116]	42 [19]
6 [152]		



PREFIXES	DESCRIPTION	PIPE SIZE	LIST PRICE
Z624*	D.C.C.I. Body and Top	2", 3", 4"	792.00
		6"	906.00
ZN624	D.C.C.I. Body with Polished Nickel Bronze Top	2", 3", 4"	1,277.00
		6"	1,392.00

OUTLETS (SPECIFY PIPE SIZE IN INCHES AND TYPE OF OUTLET)			
OUTLET TYPE	PIPE SIZE/OUTLET TYPE	E BODY HT. DIM.	ADD
NH	No-Hub 2NH, 3NH, 4NH, 6NH	5-1/4" [133mm]	N/C
NL	Neo-Loc 2NL, 3NL, 4NL	4-5/8" [117mm]	N/C

SUFFIXES		ADD
-C	Underdeck Clamp (Lower Body)	126.00
-G	Galvanized Cast Iron	415.00
-R	Sump Receiver (Lower Body)	116.00
-TS	Top Secured with Slotted Screws	101.00
-VP	Vandal-Proof Secured Top	30.00
-Y	Sediment Bucket (Upper Body)	77.00

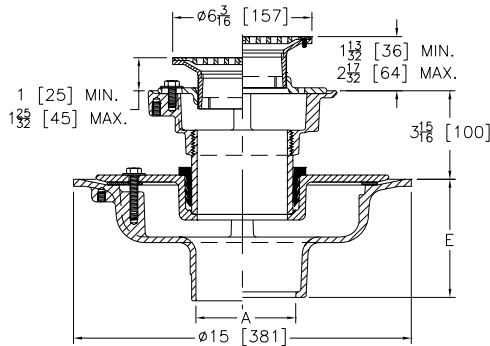
Z625 ADJUSTABLE ISOLATION DECK DRAIN



ENGINEERING SPECIFICATION

Zurn ZN625 adjustable isolation deck drain features Dura-Coated cast iron upper and lower bodies, upper and lower clamp collars, neoprene flex gasket, isolation nipple, and adjustable 6" [152mm] diameter nickel bronze strainer.

A Pipe Size inch [mm]	Grate Open Area sq in [cm ²]	Approximate Weight lb [kg]
2 [51], 3 [76], 4 [102]	9 [58]	42 [19]
6 [152]		



PREFIXES	DESCRIPTION	PIPE SIZE	LIST PRICE
ZN625*	D.C.C.I. Body with Polished Nickel Bronze Top	2", 3", 4"	894.00
		6"	1,008.00
ZB625	D.C.C.I. Body with Polished Bronze Top	2", 3", 4"	874.00
		6"	987.00

OUTLETS (SPECIFY PIPE SIZE IN INCHES AND TYPE OF OUTLET)			
OUTLET TYPE	PIPE SIZE/OUTLET TYPE	E BODY HT. DIM.	ADD
NH	No-Hub 2NH, 3NH, 4NH, 6NH	5-1/4" [133mm]	N/C
NL	Neo-Loc 2NL, 3NL, 4NL	4-5/8" [117mm]	N/C

SUFFIXES		ADD
-C	Underdeck Clamp (Lower Body)	126.00
-G	Galvanized Cast Iron	224.00
Ⓢ -PC	Protective Cover	37.00
-R	Sump Receiver (Lower Body)	116.00
-U	3" [76mm] High Extension Adapter (Upper Body)	73.00
-VP	Vandal-Proof Secured Top	30.00
-Y	Sediment Bucket (Upper Body)	38.00

*Regularly furnished unless otherwise specified.

Ⓢ This symbol denotes a product that is engineered to reduce installation and rework time.

For additional product information, please visit www.zurn.com

Z627 HEAVY-DUTY ADJUSTABLE ISOLATION DECK DRAIN



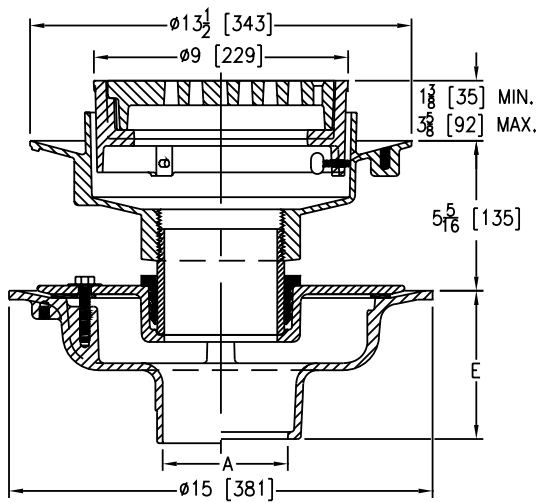
ENGINEERING SPECIFICATION

Zurn Z627 adjustable isolation deck drain features Dura-Coated cast iron upper and lower bodies, clamp collar, neoprene flex gasket, isolation nipple, and 8" [203mm] diameter round, heavy-duty grate.

NOTES

†Add 3/16" [5mm] to 1-3/8" [35mm] through 3-5/8" [92mm] dimension and 3/4" [19mm] to 9" [229mm] dimension for ZN

A Pipe Size inch [mm]	Grate Open Area sq in [cm ²]	Approximate Weight lb [kg]
2 [51], 3 [76], 4 [102]	18 [116]	65 [29]
6 [152]		



PREFIXES	DESCRIPTION	PIPE SIZE	LIST PRICE
Z627*	D.C.C.I. Body and Top	2", 3", 4"	866.00
		6"	1,014.00
ZN627	D.C.C.I. Body with Polished Nickel Bronze Top	2", 3", 4"	1,385.00
		6"	1,500.00

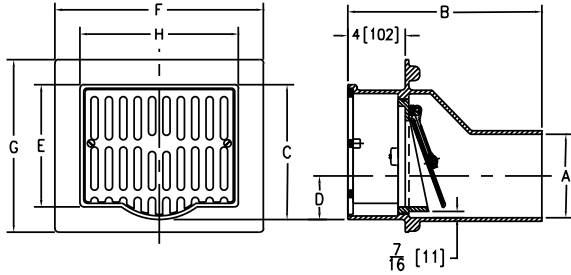
OUTLETS (SPECIFY PIPE SIZE IN INCHES AND TYPE OF OUTLET)				
OUTLET TYPE	PIPE SIZE/OUTLET TYPE	E BODY HT. DIM.	ADD	
NH	No-Hub	2NH, 3NH, 4NH, 6NH	5-1/4" [133mm]	N/C
NL	Neo-Loc	2NL, 3NL, 4NL	4-5/8" [117mm]	N/C
SUFFIXES			ADD	
-C	Underdeck Clamp (Lower Body)		126.00	
-CC	Clamp Collar (Upper Body)		N/C	
-DG	Duresist Grate		399.00	
-G	Galvanized Cast Iron		606.00	
-R	Sump Receiver (Lower Body)		116.00	
-TS	Top Secured with Slotted Screws		101.00	
-VP	Vandal-Proof Secured Top		30.00	
-Y	Sediment Bucket		159.00	

Z629 VERTICAL WALL DRAIN WITH BACKWATER VALVE



ENGINEERING SPECIFICATION

Zurn Z629 vertical wall drain features Dura-Coated cast iron body, bronze valve assembly, and secured slotted grate.



PREFIXES	DESCRIPTION	PIPE SIZE	LIST PRICE
Z629*	D.C.C.I. Body with Cast Iron Grate	3", 4"	2,895.00
		6"	4,287.00
ZN629	D.C.C.I. Body with Polished Nickel Bronze Grate	3", 4"	4,121.00
		6"	5,654.00
OUTLETS (SPECIFY PIPE SIZE IN INCHES AND TYPE OF OUTLET)			
OUTLET TYPE	PIPE SIZE/OUTLET TYPE		ADD
NH	No-Hub	3NH, 4NH, 6NH	N/C
SUFFIXES			
			ADD
-C	Clamping Collar		223.00
-G	Galvanized Cast Iron		790.00
-VP	Vandal-Proof Secured Top		163.00
DEDUCT			
-LV	Less Backwater Valve	3" [76mm], 4" [102mm] 6" [152mm]	-300.00 -700.00

Dimensions in inches [mm]								Grate Open Area sq in [cm ²]	Approximate Weight lb [kg]
A Pipe Size	B	C	D	E	F	G	H		
3 [76]	13 [330]	7-5/8 [178]	1-1/2 [38]	6-7/8 [175]	12-3/4 [324]	11 [279]	9-1/4 [235]	20 [129]	47 [21]
4 [102]			2 [51]						
6 [152]	13-1/2 [343]	9-3/8 [238]	3-1/8 [79]	8-1/2 [216]	14-1/2 [368]	12 [305]	11 [279]	33 [213]	58 [26]

*Regularly furnished unless otherwise specified.

⌚ This symbol denotes a product that is engineered to reduce installation and rework time.

For additional product information, please visit www.zurn.com

Z662 16" [406 MM] HEAVY-DUTY DRAIN



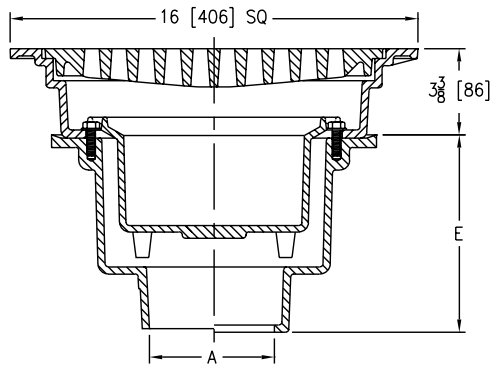
ENGINEERING SPECIFICATION

Zurn Z662 16" [406mm] square top drain features Dura-Coated cast iron body with bottom outlet, seepage pan, and combination membrane flashing clamp and frame for heavy-duty, slotted, loose grate with suspended sediment bucket.

NOTES

†Add 3/16" [5mm] to 3-3/8" [86mm] through 3-5/8" [92mm] dimension and 11/16" [17mm] to 16" [406mm] dimension for ZB and ZN

A Pipe Size inch [mm]	Grate Open Area sq in [cm ²]	Approximate Weight lb [kg]
3 [76], 4 [102]	53 [342]	95 [43]
6 [152]		98 [44]



PREFIXES	DESCRIPTION	PIPE SIZE	LIST PRICE
Z662*	D.C.C.I. Body and Top	3", 4"	1,604.00
		6"	1,751.00
ZB662	D.C.C.I. Body with Polished Bronze Top	3", 4"	2,730.00
		6"	2,880.00
ZN662	D.C.C.I. Body with Polished Nickel Bronze Top	3", 4"	2,812.00
		6"	2,960.00

OUTLETS (SPECIFY PIPE SIZE IN INCHES AND TYPE OF OUTLET)				
OUTLET TYPE		PIPE SIZE/OUTLET TYPE	E BODY HT. DIM.	ADD
IC	Inside Caulk	4IC, 6IC	7-3/4" [197mm]	N/C
IG	Inside Caulk w/ Sealrol Gasket	4IG, 6IG	7-3/4" [197mm]	N/C
IP	Threaded	4IP, 6IP	6-5/16" [160mm]	61.00
NH	No-Hub	3NH, 4NH, 6NH	7-13/16" [198mm]	N/C
NL	Neo-Loc	3NL, 4NL	7-3/16" [183mm]	N/C

SUFFIXES		ADD
-DG	Duresist Grate	540.00
-G	Galvanized Cast Iron	580.00
-HP	Heel-Proof Grate	413.00
Ⓢ -PK	Precast Kit	350.00
-SS	Stainless Steel Mesh Liner for Bucket	386.00
Ⓢ -TC	Neo-Loc Test Cap Gasket (3", 4" Bottom Outlet Only)	86.00
-TS	Top Secured with Slotted Screws	101.00
-TSP	Trap Seal Protection Device (Size Matches Drain Outlet Selected, See Z1072)	POA
-VP	Vandal-Proof Secured Top	131.00
-YA	Aluminum Sediment Bucket	296.00
		DEDUCT
-LY	Less Sediment Bucket	-50.00

Z662-HF 16" [406 MM] HEAVY-DUTY DRAIN WITH HIGH FLOW DUCTILE IRON GRATE



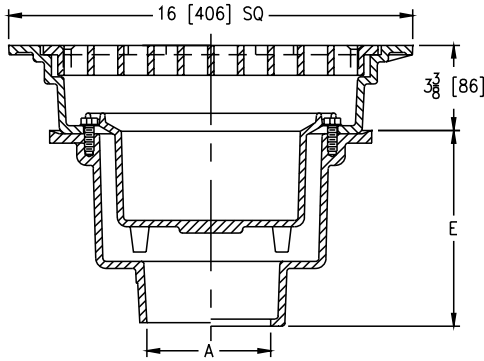
ENGINEERING SPECIFICATION

Zurn Z662-HF 16" [406mm] square top drain features Dura-Coated cast iron body with bottom outlet, seepage pan, and combination membrane flashing clamp and frame for heavy-duty, high flow ductile iron grate with suspended sediment bucket.

NOTES

†Add 3/16" [5mm] to 3-3/8" [86mm] through 3-5/8" [92mm] dimension and 11/16" [17mm] to 16" [406mm] dimension for ZB and ZN

A Pipe Size inch [mm]	Grate Open Area sq in [cm ²]	Approximate Weight lb [kg]
3 [76], 4 [102]	103 [665]	86 [39]
6 [152]		89 [40]



PREFIXES	DESCRIPTION	PIPE SIZE	LIST PRICE
Z662-HF*	D.C.C.I. Body and Top	3", 4", 6"	2,589.00
ZB662-HF	D.C.C.I. Body with Polished Bronze Top	3", 4", 6"	3,638.00
ZN662-HF	D.C.C.I. Body with Polished Nickel Bronze Top	3", 4", 6"	3,912.00

OUTLETS (SPECIFY PIPE SIZE IN INCHES AND TYPE OF OUTLET)				
OUTLET TYPE		PIPE SIZE/OUTLET TYPE	E BODY HT. DIM.	ADD
IC	Inside Caulk	4IC, 6IC	7-3/4" [197mm]	N/C
IG	Inside Caulk w/ Sealrol Gasket	4IG, 6IG	7-3/4" [197mm]	N/C
IP	Threaded	4IP, 6IP	6-5/16" [160mm]	61.00
NH	No-Hub	3NH, 4NH, 6NH	7-13/16" [198mm]	N/C
NL	Neo-Loc	3NL, 4NL	7-3/16" [183mm]	N/C

SUFFIXES		ADD
-SS	Stainless Steel Mesh Liner for Bucket	327.00
Ⓢ -TC	Neo-Loc Test Cap Gasket (3", 4" Bottom Outlet Only)	17.00
-TS	Top Secured with Slotted Screws	100.00
-VP	Vandal-Proof Secured Top	116.00
-YA	Aluminum Sediment Bucket	298.00
		DEDUCT
-LY	Less Sediment Bucket	(50.00)

*Regularly furnished unless otherwise specified.

Ⓢ This symbol denotes a product that is engineered to reduce installation and rework time.

For additional product information, please visit www.zurn.com

INTRO ROOF DRAINS FLOOR DRAINS T, P, BW VALVES INTERCEPTORS CARRIERS HYDRANTS CLEANOUTS W/H SAN-FLOOR TECH INFO

Z664 6" [152 MM] WIDE HEAVY-DUTY MODULAR TRENCH DRAIN



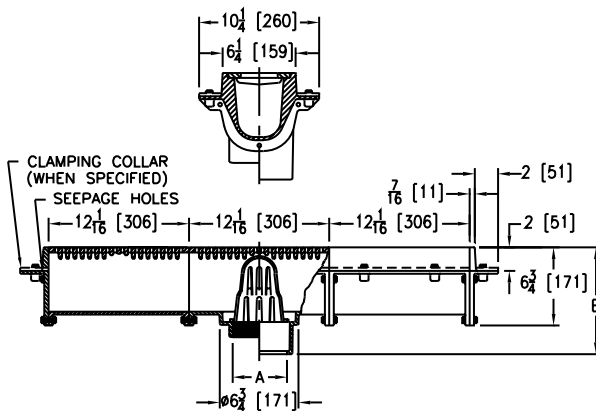
ENGINEERING SPECIFICATION

Zurn Z664 6" [152mm] wide top modular trench drain features Dura-Coated cast iron drain section with bottom outlet and secondary dome strainer. Both 12" [305mm] long outlet module and extension modules are complete with integral seepage pan and loose heavy-duty, slotted, heel-proof grate.

NOTES

†Add 1/8" [3mm] to 'E' and 2" [51mm] dimension for ZB and ZN

A Pipe Size inch [mm]	Grate Open Area sq in [cm ²]	Approximate Weight lb [kg]
2 [51], 3 [76], 4 [102]	14 [90]	35 [16]



PREFIXES	DESCRIPTION	PIPE SIZE	LIST PRICE
Z664*	D.C.C.I. Body and Top	2", 3", 4"	1,141.00
ZB664	D.C.C.I. Body with Polished Bronze Top	2", 3", 4"	1,704.00
ZN664	D.C.C.I. Body with Polished Nickel Bronze Top	2", 3", 4"	1,797.00

OUTLETS (SPECIFY PIPE SIZE IN INCHES AND TYPE OF OUTLET)			
OUTLET TYPE	PIPE SIZE/OUTLET TYPE	E BODY HT. DIM.	ADD
IC	Inside Caulk	2IC, 3IC, 4IC 9-1/8" [232mm]	N/C
IP	Threaded	2IP, 3IP, 4IP 9-1/8" [232mm]	61.00
NH	No-Hub (IP w/Z1040)	2NH, 3NH, 4NH	N/C
NL	Neo-Loc	2NL, 3NL, 4NL 8-3/8" [213mm]	N/C

SUFFIXES	ADD
-AR	Acid Resisting Epoxy Coated Cast Iron (Per Section) 401.00
-C	Clamp Collar (Per Section) 120.00
-DG	Duresist Grate (Per Section) 249.00
-ES	12" [305mm] Extension Section (Specify Number of Sections Required)
	Z 1,141.00
	ZB 1,704.00
	ZN 1,797.00
-G	Galvanized Cast Iron (Per Section) 246.00
-M	Side Outlet Adapter Via End Plate 223.00
Ⓢ -SQ	Square Hole Grate 605.00
-TS	Top Secured with Slotted Screws (Per Section) 139.00
-V	Backwater Valve (See Z1099) -
-VP	Vandal-Proof Secured Top (Per Section) 185.00
-Y	Sediment Bucket (Per Outlet Section) 224.00

Z665 12" [305 MM] WIDE HEAVY-DUTY MODULAR TRENCH DRAIN



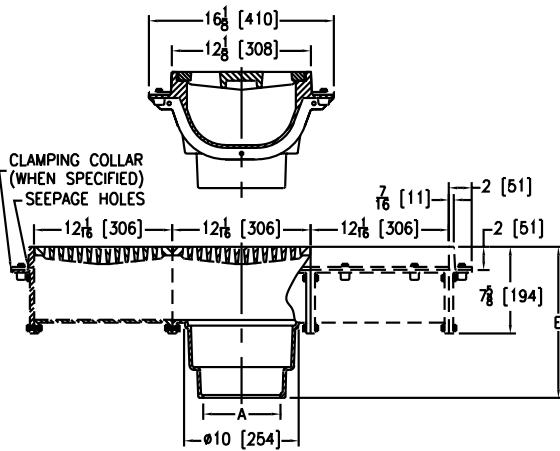
ENGINEERING SPECIFICATION

Zurn Z665 12" [305mm] wide top modular trench drain features Dura-Coated cast iron deep sump body with bottom outlet. Both 12" [305mm] long outlet module and extension modules are complete with integral seepage pan and heavy-duty, loose, slotted grate.

NOTES

†Add 1/8" [3mm] to 'E' and 2" [51mm] dimension for ZB and ZN

A Pipe Size inch [mm]	Grate Open Area sq in [cm ²]	Approximate Weight lb [kg]
2 [51], 3 [76], 4 [102]	35 [226]	100 [45]
5 [127], 6 [152]		110 [50]



PREFIXES	DESCRIPTION	PIPE SIZE	LIST PRICE
Z665*	D.C.C.I. Body and Top	2", 3", 4"	1,504.00
		5", 6"	1,592.00
ZB665	D.C.C.I. Body with Polished Bronze Top	2", 3", 4"	2,245.00
		5", 6"	2,331.00
ZN665	D.C.C.I. Body with Polished Nickel Bronze Top	2", 3", 4"	2,359.00
		5", 6"	2,445.00

OUTLETS (SPECIFY PIPE SIZE IN INCHES AND TYPE OF OUTLET)				
OUTLET TYPE		PIPE SIZE/OUTLET TYPE	E BODY HT. DIM.	ADD
IC	Inside Caulk	2IC, 3IC, 4IC, 5IC, 6IC	13-3/16" [335mm]	N/C
IG	Inside Caulk w/ Sealtrol Gasket	2IG, 3IG, 4IG, 6IG	13-3/16" [335mm]	N/C
NL	Neo-Loc	2NL, 3NL, 4NL	12-1/2" [318mm]	N/C

SUFFIXES		ADD	
-AR	Acid Resisting Epoxy Coated Cast Iron (Per Section)	591.00	
-C	Clamp Collar (Per Section)	120.00	
-DB	Bottom Dome Strainer (Per Outlet Section)	218.00	
-DG	Duresist Grate (Per Section)	549.00	
-ES	12" [305mm] Extension Section (Specify Number of Sections Required)	Z	1,504.00
		ZB	2,245.00
		ZN	2,359.00
-G	Galvanized Cast Iron (Per Section)	493.00	
-HP	Heel-Proof Grate (Per Section) (ZB and ZN only)	496.00	
-M	Side Outlet Adapter Via End Plate	294.00	
-SB	Shallow Body (Bucket not available with this option.)	N/C	
-SQ	Square Slotted Medium-Duty Grate	N/C	
Ⓢ -TC	Neo-Loc Test Cap Gasket (2", 3", 4" NL Bottom Outlet Only)	605.00	
-TS	Top Secured with Slotted Screws (Per Section)	139.00	
-VP	Vandal-Proof Secured Top (Per Section)	185.00	
-Y	Sediment Bucket (Per Outlet Section)	224.00	

*Regularly furnished unless otherwise specified.

Ⓢ This symbol denotes a product that is engineered to reduce installation and rework time.

For additional product information, please visit www.zurn.com

Z667 6" [152 MM] WIDE MEDIUM-DUTY MODULAR TRENCH DRAIN



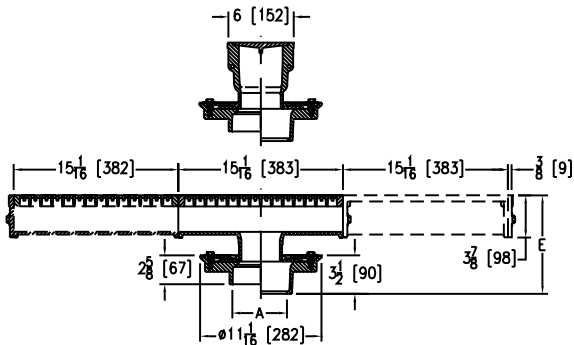
ENGINEERING SPECIFICATION

Zurn Z667 6" [152mm] wide top sectional trench drain features Dura-Coated cast iron bottom outlet section, vertically and horizontally adjustable in cast iron drain section, with seepage pan and membrane clamp. Both 15" [381mm] long outlet module section and extension modules are complete with loose, medium-duty, slotted grate.

NOTES

†Add 1/8" [3mm] to 'E' dimension for ZN

A Pipe Size inch [mm]	Grate Open Area sq in [cm ²]	Approximate Weight lb [kg]
3 [76], 4 [102]	27 [174]	40 [18]



PREFIXES	DESCRIPTION	PIPE SIZE	LIST PRICE
Z667*	D.C.C.I. Body and Top	3", 4"	777.00
ZN667	D.C.C.I. Body with Polished Nickel Bronze Top	3", 4"	1,745.00

OUTLETS (SPECIFY PIPE SIZE IN INCHES AND TYPE OF OUTLET)			
OUTLET TYPE	PIPE SIZE/ OUTLET TYPE	E BODY HT. DIM.	ADD
NL	Neo-Loc	3NL, 4NL 7-15/16" [202mm] min.; 8-11/16" [221mm] max.	N/C

SUFFIXES			ADD
-AR	Acid Resisting Epoxy Coated Cast Iron (Per Section)		591.00
-DG	Duresist Grate (Per Section) (Z Only)		490.00
-ES	15" [381mm] Extension Section (Specify Number of Sections Required)	Z ZN	777.00 1,745.00
-G	Galvanized Cast Iron (Per Section)		237.00
⊕ -TC	Neo-Loc Test Cap Gasket (3" [76mm], 4" [102mm] NL Bottom Outlet Only)		21.00
-TS	Top Secured with Slotted Screws		139.00
-V	Backwater Valve (See Z1099)		-
-VP	Vandal-Proof Secured Top (Per Section)		185.00

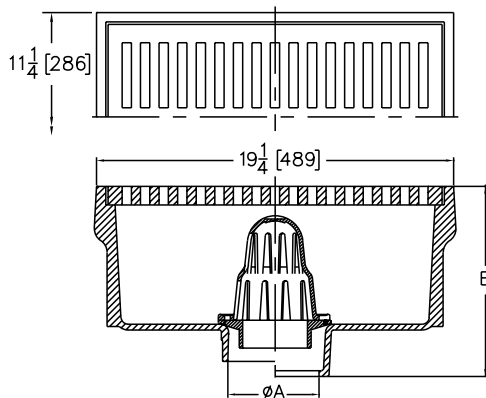
Z668 11-1/4" X 19-1/4" [279 MM X 483 MM] HEAVY-DUTY DRAIN



ENGINEERING SPECIFICATION

Zurn Z668 11-1/4" x 19-1/4" [279mm x 483mm] top drain features Dura-Coated cast iron body with bottom outlet, less seepage pan, secondary strainer, and loose, heavy-duty, slotted grate.

A Pipe Size inch [mm]	Grate Open Area sq in [cm ²]	Approximate Weight lb [kg]
4 [102], 6 [152]	60 [387]	115 [52]



PREFIXES	DESCRIPTION	PIPE SIZE	LIST PRICE
Z668*	D.C.C.I. Body and Top	4", 6"	4,853.00

OUTLETS (SPECIFY PIPE SIZE IN INCHES AND TYPE OF OUTLET)			
OUTLET TYPE	PIPE SIZE/ OUTLET TYPE	E BODY HT. DIM.	ADD
IC	Inside Caulk	4IC, 6IC 10-1/4" [260mm]	N/C
IG	Inside Caulk w/ Sealrol Gasket	4IG, 6IG 10-1/4" [260mm]	N/C
IP	Threaded	4IP, 6IP 8-5/8" [219mm]	60.00
NH	No-Hub (IP w/Z1040)	4NH, 6NH 11-1/8" [283mm]	N/C
NL	Neo-Loc	4NL 9-1/2" [241mm]	N/C

SUFFIXES			ADD
-AR	Acid Resisting Epoxy Coated Cast Iron		2,928.00
-DG	Duresist Grate		1,493.00
-G	Galvanized Cast Iron		2,540.00
⊕ -TC	Neo-Loc Test Cap Gasket (4" [102mm] NL Bottom Outlet Only)		21.00
-TS	Top Secured with Slotted Screws		139.00
-V	Backwater Valve (See Z1099)		-
-VP	Vandal-Proof Secured Top		224.00

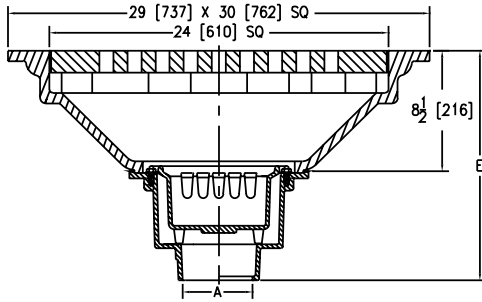
Z673 29" X 30" [737 MM X 762 MM] EXTRA HEAVY-DUTY DRAIN



ENGINEERING SPECIFICATION

Zurn Z673 29" x 30" [737mm x 762mm] top drain features Dura-Coated cast iron body with bottom outlet, seepage pan, and combination membrane flashing clamp and frame for cast iron, extra heavy-duty, loose, slotted grate with suspended sediment bucket.

A Pipe Size inch [mm]	Grate Open Area sq in [cm ²]	No. of Grates	Approximate Weight lb [kg]
4 [102]	166 [1071]	2	294 [133]
6 [152]			314 [142]



PREFIXES	DESCRIPTION	PIPE SIZE	LIST PRICE
Z673*	D.C.C.I. Body and Top	4", 6"	11,553.00

OUTLETS (SPECIFY PIPE SIZE IN INCHES AND TYPE OF OUTLET)			
OUTLET TYPE		PIPE SIZE/OUTLET TYPE	E BODY HT. DIM. ADD
IP	Threaded	4IP	14-5/8" [117mm] 60.00
NH	No-Hub	4NH, 6NH	16-1/4" [413mm] N/C

SUFFIXES		ADD
-DG	Duresist Grate	399.00
-G	Galvanized Cast Iron	1,333.00
-SS	Stainless Steel Mesh Liner for Bucket	386.00
-TS	Top Secured with Slotted Screws	101.00
-VP	Vandal-Proof Secured Top	131.00

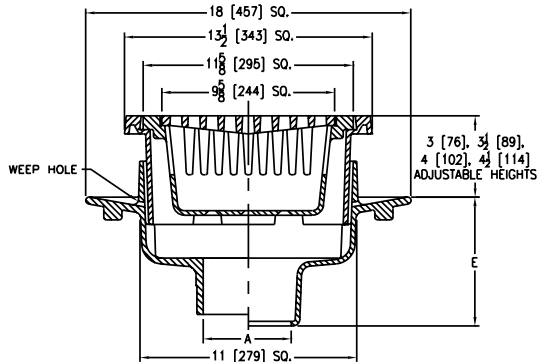
Z675 13-1/2" [343 MM] EXTRA HEAVY-DUTY DRAIN



ENGINEERING SPECIFICATION

Zurn Z675 13-1/2" [343mm] square top drain features Dura-Coated cast iron body with bottom outlet, seepage pan, and vertically adjustable, four-position frame for Duresist extra heavy-duty, loose, slotted grate with suspended sediment bucket.

A Pipe Size inch [mm]	Grate Open Area sq in [cm ²]	Approximate Weight lb [kg]
3 [76], 4 [102], 6 [152]	72 [465]	110 [50]



PREFIXES	DESCRIPTION	PIPE SIZE	LIST PRICE
Z675*	D.C.C.I. Body and Duresist Top	3", 4", 6"	1,889.00

OUTLETS (SPECIFY PIPE SIZE IN INCHES AND TYPE OF OUTLET)			
OUTLET TYPE		PIPE SIZE/OUTLET TYPE	E BODY HT. DIM. ADD
IC	Inside Caulk	4IC	7-1/8" [181mm] N/C
IG	Inside Gasket	4IG	7-1/8" [181mm] N/C
IP	Threaded	3IP, 4IP, 6IP	7-1/8" [181mm] 60.00
NH	No-Hub (IP w/ Z1040)	3NH, 4NH, 6NH	9-5/8" [244mm] N/C
NL	Neo-Loc	3NL, 4NL	7-5/8" [194mm] N/C

SUFFIXES		ADD
-AR	Acid Resisting Epoxy Coated Cast Iron	412.00
-C	Clamp Collar	117.00
-G	Galvanized Cast Iron	325.00
-TS	Top Secured with Slotted Screws	101.00
-VP	Vandal-Proof Secured Top	131.00

*Regularly furnished unless otherwise specified.

⌚ This symbol denotes a product that is engineered to reduce installation and rework time.

For additional product information, please visit www.zurn.com

Z676 13-1/2" [343 MM] EXTRA HEAVY-DUTY DRAIN



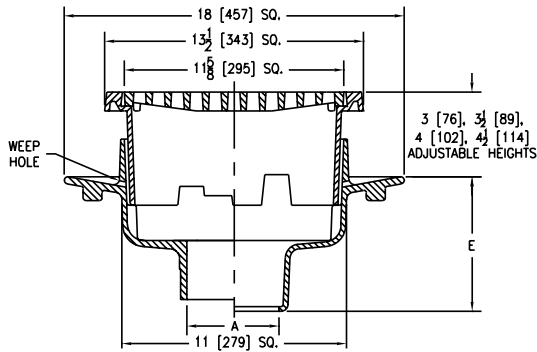
ENGINEERING SPECIFICATION

Zurn Z676 13-1/2" [343mm] square top drain features Dura-Coated cast iron body with bottom outlet, seepage pan, and vertically adjustable, four-position frame for Duresist extra heavy-duty, loose, slotted grate.

NOTES

†Add 3/4" [19mm] to 13-1/2" [343mm] dimension and 3/16" [5mm] to 'E' dimension for ZN

A Pipe Size inch [mm]	Grate Open Area sq in [cm ²]	Approximate Weight lb [kg]
3 [76], 4 [102], 6 [152]	72 [465]	95 [43]



PREFIXES	DESCRIPTION	PIPE SIZE	LIST PRICE
Z676*	D.C.C.I. Body and Top	3", 4", 6"	2,471.00
ZN676	D.C.C.I. Body with Polished Nickel Bronze Top	3", 4", 6"	4,237.00

OUTLETS (SPECIFY PIPE SIZE IN INCHES AND TYPE OF OUTLET)				
OUTLET TYPE		PIPE SIZE/OUTLET TYPE	E BODY HT. DIM.	ADD
IC	Inside Caulk	4IC	7-1/8" [181mm]	N/C
IG	Inside Gasket	4IG	7-1/8" [181mm]	N/C
IP	Threaded	3IP, 4IP, 6IP	7-1/8" [181mm]	60.00
NH	No-Hub (IP w/Z1040)	3NH, 4NH, 6NH	9-5/8" [244mm]	N/C
NL	Neo-Loc	3NL, 4NL	7-5/8" [194mm]	34.00

SUFFIXES		ADD
-AR	Acid Resisting Epoxy Coated Cast Iron	409.00
-C	Clamp Collar	117.00
-G	Galvanized Cast Iron	325.00
-TS	Top Secured with Slotted Screws	101.00
-VP	Vandal-Proof Secured Top	131.00
-Y	Sediment Bucket	159.00

Z730 9" [229 MM] TOP MEDIUM-DUTY DRAIN

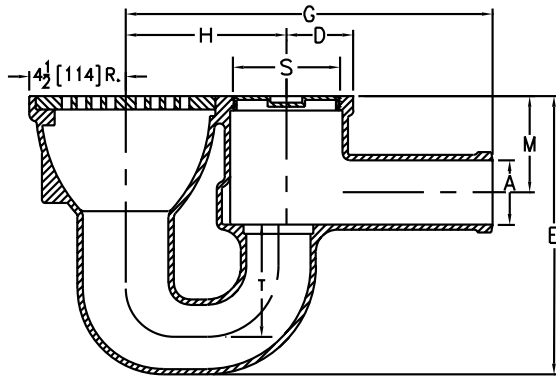


ENGINEERING SPECIFICATION

Zurn Z730 9" [229mm] diameter top drain features Dura-Coated cast iron body with integral double wall trap and side outlet, bronze floor level cleanout plug, and medium-duty, loose, slotted grate.

NOTES

†Add 3/16" [5mm] to M and E dimensions for ZN



PREFIXES	DESCRIPTION	PIPE SIZE	LIST PRICE
Z730*	D.C.C.I. Body and Top	3"	1,754.00
		4"	1,855.00
ZN730	D.C.C.I. Body with Polished Nickel Bronze Top	3"	2,693.00
		4"	2,810.00
OUTLETS (SPECIFY PIPE SIZE IN INCHES AND TYPE OF OUTLET)			
OUTLET TYPE	PIPE SIZE/OUTLET TYPE	E BODY HT. DIM.	LIST PRICE
SP	Spigot	3SP	13" [330mm] N/C
		4SP	16" [406mm] N/C
SUFFIXES			ADD
-DG	Duresist Grate		441.00
-G	Galvanized Cast Iron		356.00
-J	Auxiliary Inlet Connection		90.00
-K	Anchor Flange		320.00
-P	Trap Primer Connection		16.00
-V	Backwater Valve (See Z1099)	3" [76mm]	384.00
		4" [102mm]	434.00
-VP	Vandal-Proof Secured Top		99.00
-Y	Sediment Bucket		186.00

Dimensions in inches [mm]							Grate Open Area sq in [cm ²]	Approximate Weight lb [kg]
A Pipe Size	Cleanout Plug Size S	Rad. D	G	H	M	T		
3 [76]	4-1/2 [114] NPT	3-1/8 [79]	17-1/8 [203]	7-1/2 [191]	4-1/4 [108]	4 [102]	23 [148]	54 [24]
4 [102]	5-1/2 [140] NPT	3-5/8 [92]	19-3/8 [238]		4-3/4 [121]	5 [127]		79 [36]

*Regularly furnished unless otherwise specified.

⌚ This symbol denotes a product that is engineered to reduce installation and rework time.

For additional product information, please visit www.zurn.com

INTRO
ROOF DRAINS
FLOOR DRAINS
T, P, BW VALVES
INTERCEPTORS
CARRIERS
HYDRANTS
CLEANOUTS
WHA
SS DRAINS
FAB SS DRAINS
SANI-FLOOR
TECH INFO

Z742 LIGHT-DUTY TRAP DRAIN

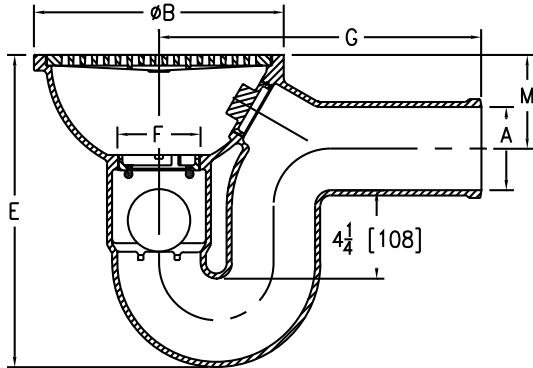


ENGINEERING SPECIFICATION

Zurn Z742 8" [203mm], 10" [254mm] or 12" [305mm] diameter top drain features Dura-Coated cast iron body with integral double wall trap and side outlet, ball float type backwater valve, internal bronze cleanout, and light-duty, loose, slotted grate.

NOTES

†Add 3/16" [5mm] to 'E' dimension for ZB and ZN



PREFIXES	DESCRIPTION	PIPE SIZE	LIST PRICE
Z742*	D.C.C.I. Body and Top	2"	624.00
		3"	866.00
		4"	1,215.00
ZB742	D.C.C.I. Body with Polished Bronze Top	2"	998.00
		3"	1,252.00
		4"	2,066.00
ZN742	D.C.C.I. Body with Polished Nickel Bronze Top	2"	1,027.00
		3"	1,290.00
		4"	2,130.00

OUTLETS (SPECIFY PIPE SIZE IN INCHES AND TYPE OF OUTLET)			
OUTLET TYPE		PIPE SIZE/OUTLET TYPE	E BODY HT. DIM. LIST PRICE
SP	Spigot	2SP	10-3/4" [273mm] N/C
		3SP	12-3/4" [324mm] N/C
		4SP	15" [381mm] N/C
SUFFIXES			ADD
-G	Galvanized Cast Iron		356.00
-TS	Top Secured with Slotted Screws		86.00
-VP	Vandal-Proof Secured Top		99.00
			DEDUCT
-LV	Less Backwater Valve	2" [51mm]	-50.00
		3" [76mm], 4" [102mm]	-100.00

Dimensions in inches [mm]					Grate Open Area sq in [cm ²]	Approximate Weight lb [kg]
A Pipe Size	F	B	G	M		
2 [51]	2 [51]	8-1/4 [210]	10-1/8 [203]	3-1/2 [89]	13 [84]	17 [8]
3 [76]	3-1/2 [89]	10-1/2 [267]	12-1/2 [318]	4 [102]	19 [122]	36 [16]
4 [102]		12 [305]	15-1/2 [140]	4-1/2 [114]	40 [258]	54 [24]

Z761 12-1/2" X 12-1/2" [318 MM X 318 MM] HEAVY-DUTY DRAIN

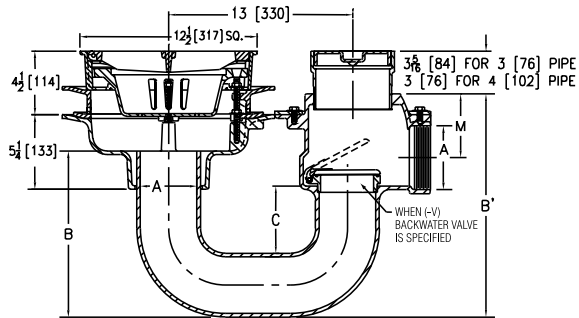


ENGINEERING SPECIFICATION

Zurn Z761 12-1/2" x 12-1/2" [318mm x 318mm] square top drain features Dura-Coated cast iron body with bottom outlet, seepage pan, and combination membrane flashing clamp and frame for heavy-duty cast iron hinged slotted grate with suspended sediment bucket, complete with threaded side outlet deep seal trap with seepage pan and adjustable cleanout with bronze plug.

NOTES

†Add 3/16" [5mm] to 4-1/2" [114mm] dimension and 3/16" [5mm] to 12-1/2" [318mm] dimension for ZN



PREFIXES	DESCRIPTION	PIPE SIZE	LIST PRICE
Z761*	D.C.C.I. Body and Grate	3"	3,767.00
		4"	4,153.00
ZN761	D.C.C.I. Body with Polished Nickel Bronze Grate	3"	4,900.00
		4"	5,282.00
OUTLETS (SPECIFY PIPE SIZE IN INCHES AND TYPE OF OUTLET)			
OUTLET TYPE	PIPE SIZE/OUTLET TYPE		LIST PRICE
IP	Threaded	3IP, 4IP	N/C
SUFFIXES			ADD
-C	Clamp Collar		91.00
-DG	Duresist Grate		474.00
-G	Galvanized Cast Iron		1,470.00
-P	Trap Primer Connection		116.00
-TS	Top Secured with Slotted Screws		100.00
-V	Backwater Valve	3" [76mm]	551.00
		4" [102mm]	551.00
-VP	Vandal-Proof Secured Top		99.00

Dimensions in inches [mm]					Grate Open Area sq in [cm ²]	Approximate Weight lb [kg]
A Pipe Size	B	B'	C	M		
3 [76]	12-1/2 [318]	13-1/2 [343]	4-3/4 [121]	4 [102]	43 [277]	140 [64]
4 [102]	9-1/4 [235]	15-3/4 [400]	5 [127]	4-1/2 [114]		145 [66]

*Regularly furnished unless otherwise specified.

⌚ This symbol denotes a product that is engineered to reduce installation and rework time.

For additional product information, please visit www.zurn.com

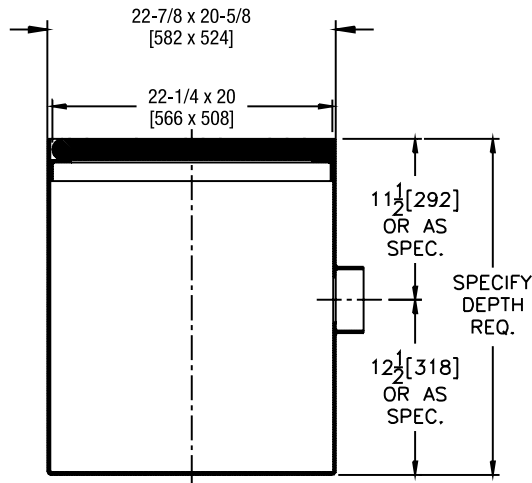
ZF799 HEAVY-DUTY CATCH BASIN DRAIN



ENGINEERING SPECIFICATION

Zurn ZF-799-76 20" x 22" [508mm x 559mm] heavy-duty single outlet or double outlet/inlet catch basin drain, Dura-Coated body, and heavy-duty cast iron grate.

A Pipe Size inch [mm]	Grate Open Area sq in [cm ²]	Approximate Weight lb [kg]
3 [76], 4 [102], 6 [152]	143 [922]	184 [83]



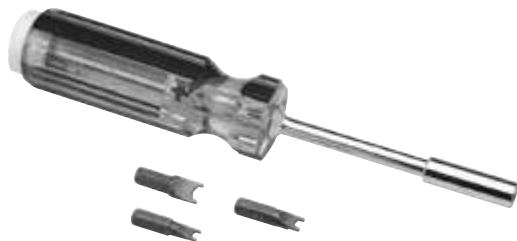
PREFIXES	DESCRIPTION	OUTLET TYPE	LIST PRICE
ZF-799	D.C.C.I. Body and Grate	Single Outlet	-75 7,111.00
		Outlet and Inlet	-76 7,275.00

OUTLETS (SPECIFY PIPE SIZE IN INCHES AND TYPE OF OUTLET)			
OUTLET TYPE	PIPE SIZE/OUTLET TYPE	LIST PRICE	
NH	No-Hub	3NH, 4NH, 6NH	N/C
SUFFIXES			ADD
-AF	Anchor Flange		277.00
-E	Each Additional 12" [305mm] Height		607.00
-G	Galvanized Cast Iron		POA
-H	Hinged Grate		188.00
-TSC	Trap Seal Cleanout with Plug		303.00
-VP	Vandal-Proof Secured Top		147.00

VP-DRIVER VANDAL-PROOF DRIVER

ENGINEERING SPECIFICATION

Zurn vandal proof screwdriver



PREFIXES	DESCRIPTION	LIST PRICE
VP-Driver	Vandal-Proof Driver	89.00
SUFFIXES		ADD
-RB	Replacement Bits (#8, #10, and #14)	34.00

TRAPS, PRIMERS, AND BACKWATER VALVES

TRAPS, PRIMERS, AND BACKWATER VALVES – APPLICATION INDEX	170
TRAPS, PRIMERS, AND BACKWATER VALVES – OPTIONS AND VARIATIONS	170
Z1072 ZSHIELD™ BARRIER TRAP SEAL DEVICE FOR FLOOR DRAINS	171
Z1000 DEEP SEAL TRAP	172
Z1005 DEEP SEAL TRAP WITH ADJUSTABLE COVER	172
Z1012 DEEP SEAL TRAP WITH FLOOR CLEANOUT	173
Z1019 FUNNEL DRAIN WITH "P" TRAP	173
Z1020-XL ELECTRONIC TRAP PRIMER	174
Z1021 WATER SAVER TRAP PRIMER WITH 1-1/2" [38 MM] COPPER SWEAT WALL CONNECTION	174
Z1022-XL LEAD-FREE SANI-GARD AUTOMATIC TRAP PRIMER	175
Z1023 TRAP PRIMER CONNECTION ADAPTER	175
Z1024 FIXED AIR GAP	176
Z1025 FIXED AIR GAP	176
Z1030 HUB ADAPTER	177
Z1032 INSIDE CAULK REDUCER	177
Z1033 FEMALE PIPE THREAD REDUCER	178
Z1034 FEMALE PIPE ECCENTRIC REDUCER	178
🕒 Z1035 FLOOR DRAIN INSTALLATION STABILIZER	179
🕒 Z1035-Q STRUCTURAL DECK DRAIN STABILIZER	179
🕒 Z1036 FLOOR DRAIN INSTALLATION STABILIZER	180
Z1040 NO-HUB ADAPTER	180
Z1042 ELBOW ADAPTER	181
Z1088 BACKWATER VALVE GATE TYPE	181
Z1090 BACKWATER VALVE FLAPPER TYPE	182
Z1091 BACKWATER VALVE FLAPPER TYPE	182
Z1095 BACKWATER VALVE FLAPPER TYPE	183
Z1095-15 BACKWATER VALVE WITH FLOOR LEVEL CLEANOUT	183
Z1099 BACKWATER VALVE BALL FLOAT TYPE	184

TRAPS, PRIMERS, AND BACKWATER VALVES – APPLICATION INDEX

APPLICATION	RECOMMENDED DRAINAGE PRODUCT
Deep Seal Trap	Z1000, Z1005, Z1012, Z1019, Z1021
Trap Primer	Z1020, Z1021, Z1022
Trap Primer Connection Adapter	Z1023
Fixed Air Gap	Z1024, Z1025
Pipe Thread to Hub Adapter	Z1030
Inside Caulk Reducing Ring	Z1032
Iron Pipe Flush Bushing	Z1033
Eccentric Iron Pipe Threaded Bushing	Z1034
Floor Drain Stabilizer Plate	Z1035, Z1035-Q, Z1036
Pipe Thread to 90° No-Hub Adapter	Z1040
Pipe Thread to 90° No-Hub Elbow Adapter	Z1042
Gate Type Sanitary Sewer Backwater Valve	Z1088
Storm Sewer Backwater Valve	Z1088, Z1090, Z1091, Z1095
Bottom Outlet Floor Drain Backwater Valve	Z1099

TRAPS, PRIMERS, AND BACKWATER VALVES – OPTIONS AND VARIATIONS

All Zurn backwater valve and trap optional variations are specified as a prefix and/or suffix letter or number added to the series designation. Below are the available options.

PREFIXES	DESCRIPTION	SUFFIXES	DESCRIPTION
Z	Standard Assembly or D.C.C.I. Body	-DU3	3-Outlet Distribution Unit
ZAB	Bronze Body with Polished Bronze Top	-DU4	4-Outlet Distribution Unit
ZABN	Bronze Body with Polished Nickel Bronze Top	-FC	Adjustable Floor Cleanout (See Z1400)
ZARB	All Plain Bronze Body	-FL	Flushing Connection
ZB	D.C.C.I. Body with Polished Bronze Top	-F6	6" Diameter Funnel
ZN	D.C.C.I. Body with Polished Nickel Bronze Top	-G	Galvanized Cast Iron
		-LC	Less Cleanout and Plug
SUFFIXES	DESCRIPTION	-P	Trap Primer Connection (1/2" or 3/4")
-AR	Acid Resisting Epoxy Coated Finish	-V	Backwater Valve
-BP	Bronze Threaded Plug Cover	-WH	Wheel Handle
-BC	Bolted Cover	-WL	One-Piece Waste Elbow
-BV	Bronze Flapper Valve	-3	3/4" Connection
-C	Clamping Collar	-7	7" Long Adapter
-CP	Chrome-Plated Finish	-12	12" Extension
-DS	Dome Strainer	-24	24" Extension
-DU	Additional Distribution Units		
-DU2	2-Outlet Distribution Unit		

Z1072 ZSHIELD™ BARRIER TRAP SEAL DEVICE FOR FLOOR DRAINS

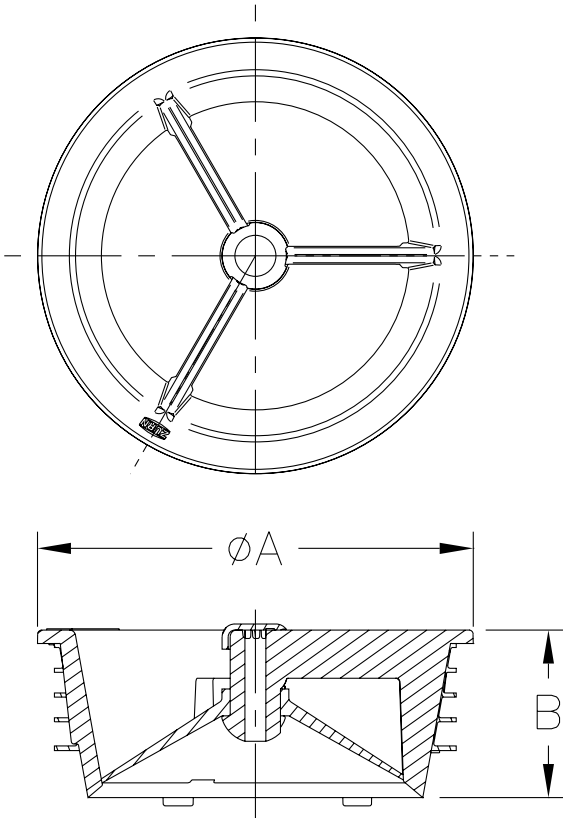


ENGINEERING SPECIFICATION

Zurn Z1072 ZShield Barrier trap seal device for use with floor drains to minimize trap evaporation. Product is comprised of an ABS rigid structure, silicone gasket and seal for 2" [51mm], 3" [76mm], 3-1/2" [89mm], and 4" [102mm] sizes. Device is engineered to comply with the performance requirements of ASSE 1072 standard and is third party listed with IAPMO (UPC), ICC (ICC cES PMG) and ASSE.

NOTE

-TSP Suffix Option listed on select drains



Product Designation	Dimensions in inches [mm]		ASSE 1072 Required Flow Rate G.P.M [L.P.M]
	A Pipe Size	B	
-2	3.20 [81]	1.22 [31]	12 [45.4]
-3	3.25 [83]	1.25 [32]	34 [128.7]
-3.5	3.53 [90]	1.30 [33]	52 [196.8]
-4	4.13 [105]	1.30 [33]	73 [276.4]

PREFIXES	DESCRIPTION	PRODUCT DESIG.	PIPE SIZE	LIST PRICE
Z1072	ABS Rigid Body with Silicone Gasket and Seal	-2	2"	POA
		-3	3"	POA
		-3.5	3-1/2"	POA
		-4	4"	POA
SUFFIXES				ADD
-TSP	Trap Seal Protection			POA

*Regularly furnished unless otherwise specified.

⌚ This symbol denotes a product that is engineered to reduce installation and rework time.

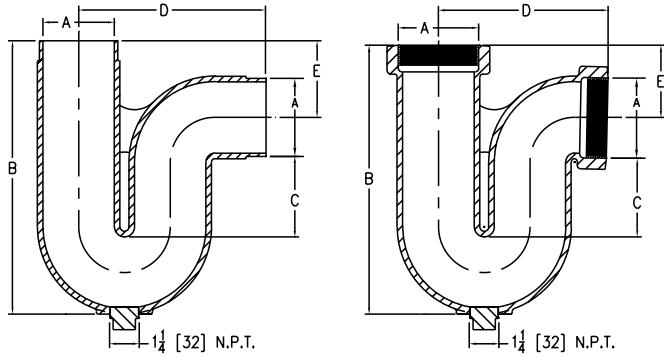
For additional product information, please visit www.zurn.com

Z1000 DEEP SEAL TRAP



ENGINEERING SPECIFICATION

Zurn Z1000 deep seal trap features Dura-Coated cast iron body with bottom bronze cleanout plug.



A Pipe Size/ Outlet Type	Dimensions in inches [mm]				Approximate Weight lb [kg]
	B	C	D	E	
Threaded (IP)					
2IP	9-1/2 [241]	4 [102]	5-7/8 [149]	1-3/4 [44]	8 [4]
3IP	13 [330]	5 [127]	7-1/2 [191]	3 [76]	17 [8]
4IP	15 [381]		9-1/2 [241]	4 [102]	32 [15]
No-Hub (NH)					
2NH	10-1/2 [267]	4 [102]	6-1/2 [165]	2-3/4 [70]	8 [4]
3NH	13-1/2 [343]	5 [127]	8 [203]	3-1/2 [89]	17 [8]
4NH	15-1/4 [387]		9-1/2 [241]	4-1/4 [108]	32 [15]

PREFIXES	DESCRIPTION	A PIPE SIZE	LIST PRICE
Z1000*	D.C.C.I. Body	2"	481.00
		3"	698.00
		4"	994.00

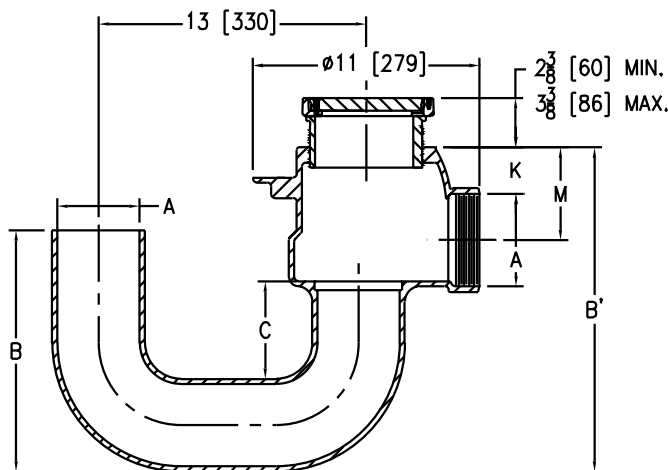
CONNECTION DESIGNATION (SPECIFY PIPE SIZE IN INCHES AND TYPE OF CONNECTION)			
CONNECTION TYPE		PIPE SIZE/OUTLET TYPE	ADD
IP	Threaded	2IP, 3IP, 4IP	71.00
NH	No-Hub	2NL, 3NL, 4NL	N/C
SUFFIXES		PIPE SIZE	ADD
-FL	Flushing Connection		91.00
-G	Galvanized Cast Iron	2" [51mm]	131.00
		3" [76mm]	131.00
		4" [102mm]	183.00
-P	Trap Primer Connection (Specify 1/2" [13mm] or 3/4" [19mm])		27.00

Z1005 DEEP SEAL TRAP WITH ADJUSTABLE COVER



ENGINEERING SPECIFICATION

Zurn Z1005 deep seal trap features Dura-Coated cast iron body with no-hub inlet for use with bottom outlet drain, female threaded outlet connection with anchoring flange, and adjustable, floor level, gasketed, secured cast iron cover.



A Pipe Size/ Outlet Type	Dimensions in inches [mm]					Approximate Weight lb [kg]
	B	B'	C	K	M	
Threaded (IP)						
3IP	12-1/2 [318]	13-1/2 [343]	4-3/4 [121]	1-1/4 [32]	4 [102]	75 [34]
4IP	9-1/4 [235]	15-3/4 [400]	5 [127]	1-3/4 [44]	4-1/2 [114]	85 [39]

PREFIXES	DESCRIPTION	A PIPE SIZE	LIST PRICE
Z1005*	D.C.C.I. Body and Top	3"	1,133.00
		4"	1,330.00
ZB1005	D.C.C.I. Body with Polished Scoriated Bronze Top	3"	1,330.00
		4"	1,506.00
ZN1005	D.C.C.I. Body with Polished Scoriated Nickel Bronze Top	3"	1,310.00
		4"	1,554.00

CONNECTION DESIGNATION (SPECIFY PIPE SIZE IN INCHES AND TYPE OF CONNECTION)			
CONNECTION TYPE		PIPE SIZE/OUTLET TYPE	ADD
IP	Threaded	3IP, 4IP	N/C
SUFFIXES		PIPE SIZE	ADD
-C	Clamping Collar		78.00
-G	Galvanized Cast Iron Body		582.00
-V	Backwater Valve	3" [76mm]	452.00
		4" [102mm]	452.00

For additional product information, please visit www.zurn.com

*Regularly furnished unless otherwise specified.

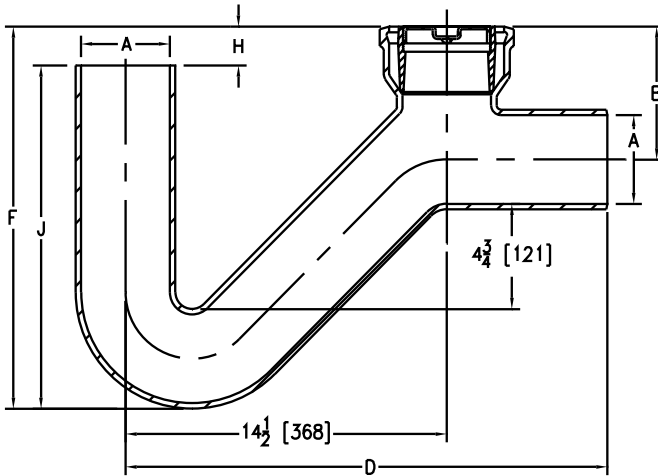
Ⓢ This symbol denotes a product that is engineered to reduce installation and rework time.

Z1012 DEEP SEAL TRAP WITH FLOOR CLEANOUT



ENGINEERING SPECIFICATION

Zurn Z1012 deep seal trap features Dura-Coated cast iron body for use with bottom outlet drain, cast iron floor cleanout, and plug for caulking into top hub cleanout opening.



A Pipe Size/ Outlet Type	Dimensions in inches [mm]					Approximate Weight lb [kg]
	B	D	F	H	J	
No-Hub (NH)						
2NH	4-3/4 [121]	16-1/2 [419]	12-3/4 [324]	1/4 [6]	12-1/2 [318]	43 [20]
3NH	5-1/2 [140]	21-1/2 [546]	15 [381]	1-1/4 [32]	12-3/4 [324]	45 [20]
4NH	6 [152]	21-3/4 [552]	17 [432]	1-3/4 [44]	15-1/2 [394]	47 [21]

PREFIXES	DESCRIPTION	A PIPE SIZE	LIST PRICE
Z1012*	D.C.C.I. Body	2"	709.00
		3"	852.00
		4"	1,038.00

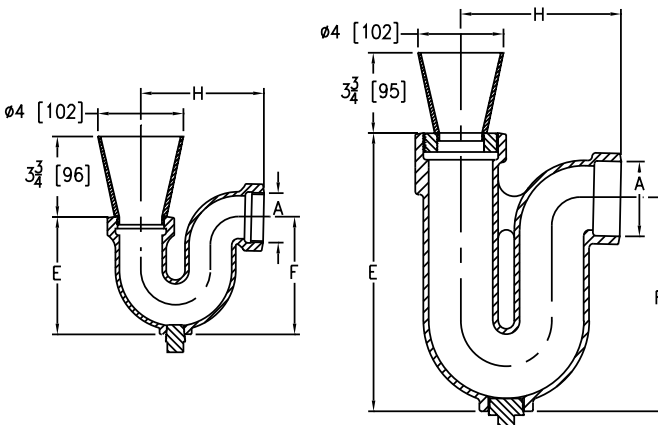
CONNECTION DESIGNATION (SPECIFY PIPE SIZE IN INCHES AND TYPE OF CONNECTION)			
CONNECTION TYPE	PIPE SIZE/OUTLET TYPE	ADD	
NH	No-Hub	2NH, 3NH, 4NH	N/C
SUFFIXES		ADD	
-FC	Adjustable Floor Cleanout (See Z1406)	-	
-G	Galvanized Cast Iron Body	314.00	

Z1019 FUNNEL DRAIN WITH "P" TRAP



ENGINEERING SPECIFICATION

Zurn Z1019 Dura-Coated cast iron combination funnel and trap drain comes complete with bronze bottom cleanout plug.



A Pipe Size/ Outlet Type	Dimensions in inches [mm]			Approximate Weight lb [kg]
	E	F	H	
Threaded (IP)				
2IP	4-1/4 [108]	5-1/2 [140]	5-3/4 [146]	10 [5]
3IP	13 [330]	10 [254]	7-1/2 [191]	19 [9]

PREFIXES	DESCRIPTION	A PIPE SIZE	LIST PRICE
Z1019*	D.C.C.I. Body and Top	2"	496.00
		3"	573.00
ZAB1019	Bronze Body with Polished Bronze Top	2"	849.00
		3"	1,405.00
ZABN1019	Bronze Body with Polished Nickel Bronze Top	2"	926.00
		3"	1,478.00

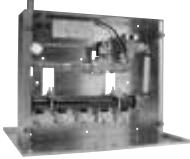
CONNECTION DESIGNATION (SPECIFY PIPE SIZE IN INCHES AND TYPE OF CONNECTION)			
CONNECTION TYPE	PIPE SIZE/OUTLET TYPE	ADD	
IP	Threaded	2IP, 3IP	N/C
SUFFIXES		PIPE SIZE	ADD
-AR	Acid Resisting Epoxy Coated Finish		180.00
-DS	Dome Strainer		44.00
-F6	6" [152mm] High x 6" [152mm] Diameter Funnel	Z	75.00
		ZAB, ZABN	143.00
-G	Galvanized Cast Iron Body		215.00

*Regularly furnished unless otherwise specified.

⌚ This symbol denotes a product that is engineered to reduce installation and rework time.

For additional product information, please visit www.zurn.com

Z1020-XL ELECTRONIC TRAP PRIMER



ENGINEERING SPECIFICATION

Zurn Z1020-XL factory programmed, 5-port, lead-free electronic trap primer provides a six second water injection to traps every twenty-four hours.† Trap primer features a galvanized steel combination surface or recessed housing and cover, 1/2" [13mm] solder copper inlet connection, brass ball-type stop valve, slow-closing 24 VAC solenoid valve with integral strainer, 120-24 VAC transformer, brass atmospheric vacuum breaker, PEX waterway, and anti-scaling multi-port manifold with five 1/2" [13mm] male PEX outlet connections.

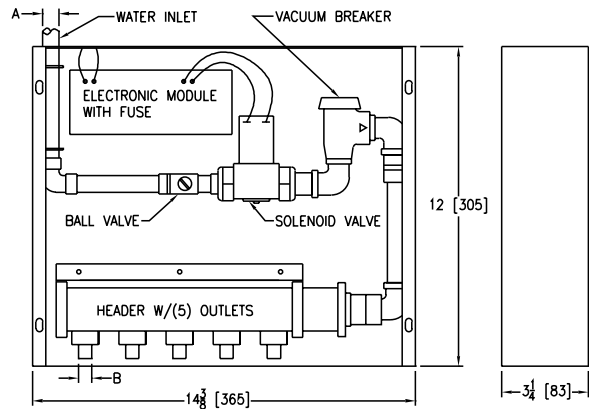
Min. Pressure: 3 psi
 Working Pressure: 20 to 100 psig
 Default Settings:
 -Frequency: 24 hours
 -Injection Time: 6 seconds
 -Volume: 2 oz. min. per port

NOTE

†Regularly furnished unless otherwise specified. Alternative flow settings are available upon request.

Dimensions in inches [mm]		Approximate Weight lb [kg]
A Inlet Pipe Size	B Outlet Pipe Size	
1/2 [13] Solder	1/2 [13] PEX Connection	12 [5]

PREFIXES	DESCRIPTION	LIST PRICE
Z1020-XL*	PEX Waterway	5,009.00
SUFFIXES		ADD
-CW	Copper Waterway (with 1/2" [13mm] Female IPS Connection)	1,077.00
-DU4	Additional Distribution Units with Copper Waterway (Specify quantity. Contact Zurn for sizing specifications)	361.00
-VP	Vandal-Proof Secured Cover with Vandal-Proof Driver	42.00
-10	Ten Outlets	712.00



Z1021 WATER SAVER TRAP PRIMER WITH 1-1/2" [38 MM] COPPER SWEAT WALL CONNECTION

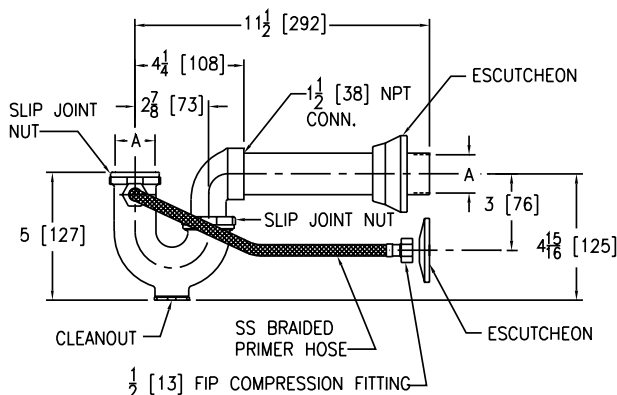


ENGINEERING SPECIFICATION

Zurn 1021 water saver trap primer features chrome-plated, polished cast brass body with cleanout, ground joint elbow with 1-1/2" [38mm] NPT outlet, 1-1/2" [38mm] slip nuts and washers, and reducing washer for 1-1/4" [32mm] sink tail piece hookup, escutcheons, and stainless steel braided primer hose with 1/2" [13mm] FIP compression fittings.

Dimensions in inches [mm]		Approximate Weight lb [kg]
A Pipe Size		
1-1/2 [38]		2 [1]

PREFIXES	DESCRIPTION	LIST PRICE
Z1021*	Polished Chrome Plated	294.00
SUFFIXES		ADD
-WL	One-piece Waste Elbow (For Slip Joint Wall Connection)	77.00



For additional product information, please visit www.zurn.com

*Regularly furnished unless otherwise specified.

Ⓢ This symbol denotes a product that is engineered to reduce installation and rework time.

Z1022-XL LEAD-FREE SANI-GARD AUTOMATIC TRAP PRIMER

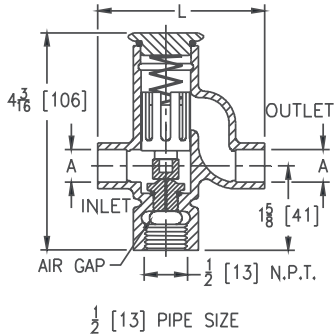


Patented



ENGINEERING SPECIFICATION

Zurn Z1022-XL lead-free sani-gard automatic trap primer features an all bronze body with integral vacuum breaker, non-liming internal operating piston, stainless steel spring, removable bronze seat with metering orifice, and sealed bronze cover.



Dimensions in inches [mm]		Approximate Weight lb [kg]
A Pipe Size/Connection	L	
1/2 [13] Solder Female 1/2 [13] IP Female	3-7/32 [82]	1 [0.5]
1/2 [13] Solder Female Union	5-21/32 [144]	1.5 [0.7]
1/2 [13] IP Female Union	5-11/32 [136]	

PREFIXES	DESCRIPTION	LIST PRICE
Z1022-XL*	All Plain Bronze Body	Combine with connection type for pricing

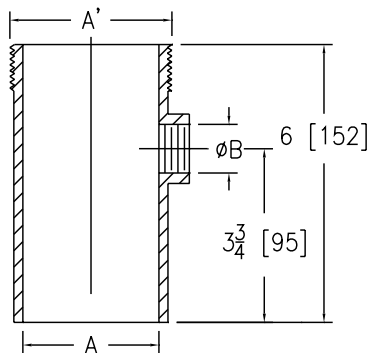
CONNECTION DESIGNATION (SPECIFY PIPE SIZE IN INCHES AND TYPE OF CONNECTION)		
CONNECTION TYPE	PIPE SIZE/OUTLET TYPE	ADD
SF	1/2" [13mm] Solder Female	154.00
IP	1/2" [13mm] IP Female	154.00
SFU	1/2" [13mm] Solder Female Union	237.00
IPU	1/2" [13mm] IP Female Union	237.00
SUFFIXES		ADD
-CP	Chrome-Plated Finish	60.00
-DU2	2-Outlet Distribution Unit	227.00
-DU3	3-Outlet Distribution Unit	259.00
-DU4	4-Outlet Distribution Unit	361.00
-RK	Repair Kit	104.00

Z1023 TRAP PRIMER CONNECTION ADAPTER



ENGINEERING SPECIFICATION

Zurn Z1023 trap primer connection adapter features Dura-Coated cast iron body with 1/2" [13mm] female threaded side inlet trap primer connection.



Dimensions in inches [mm]		Approximate Weight lb [kg]
A x A'	B	
No-Hub x No-Hub		
2NH x 2NH	1/2 [13]	2 [1]
3NH x 3NH		4 [2]
4NH x 4NH		6 [3]
Threaded x No-Hub		
2IP x NH	1/2 [13]	2 [1]
3IP x NH		4 [2]
4IP x NH		6 [3]

PREFIXES	DESCRIPTION	PIPE SIZE	LIST PRICE
Z1023*	D.C.C.I. Body	2", 3", 4"	Combine with connection type for pricing

CONNECTION DESIGNATION (SPECIFY PIPE SIZE IN INCHES AND TYPE OF CONNECTION)		
CONNECTION TYPE	PIPE SIZE/OUTLET TYPE	ADD
NH x NH	No-Hub x No-Hub 2NH x 2NH, 3NH x 3NH, 4NH x 4NH	87.00
IP x NH	Threaded x No-Hub 2IP x 2NH, 3IP x 3NH, 4IP x 4NH	87.00
SUFFIXES		ADD
-G	Galvanized Cast Iron Body	117.00

*Regularly furnished unless otherwise specified.

⌚ This symbol denotes a product that is engineered to reduce installation and rework time.

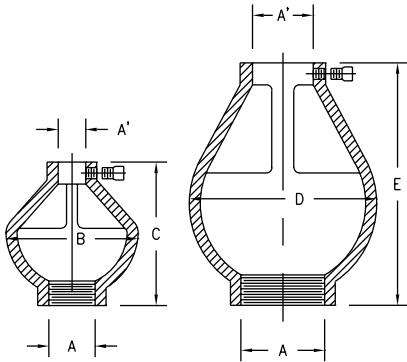
For additional product information, please visit www.zurn.com

Z1024 FIXED AIR GAP



ENGINEERING SPECIFICATION

Zurn Z1024 fixed air gap features Dura-Coated cast iron body with slip joint inlet and NPT outlet.



Product Designation	Dimensions in inches [mm]					Approximate Weight lb [kg]
	A' x A SJ x N.P.T.	B	C	D	E	
-1	1/4 [6] x 3/4 [19]	3 [76]	3-1/4 [83]	-	-	1 [0.5]
-2	1/2 [13] x 3/4 [19]	-	-	4-1/4 [108]	5-1/2 [140]	3 [1]
-3	1/2 [13] x 1 [25]	-	-			
-4	3/4 [19] x 1-1/2 [38]	-	-			
-5	1 [25] x 1-1/2 [38]	-	-	-	-	-

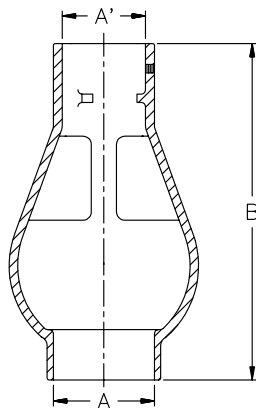
PREFIXES	DESCRIPTION	PRODUCT DESIG.	PIPE SIZE/OUTLET TYPE	LIST PRICE
Z1024*	D.C.C.I. Body	-1	1/4SJ x 3/4N.P.T.	215.00
		-2	1/2SJ x 3/4N.P.T.	215.00
		-3	1/2SJ x 1N.P.T.	233.00
		-4	3/4SJ x 1-1/2N.P.T.	299.00
		-5	1SJ x 1-1/2N.P.T.	299.00
SUFFIXES				ADD
-G	Galvanized Cast Iron			117.00

Z1025 FIXED AIR GAP



ENGINEERING SPECIFICATION

Zurn Z1025 fixed air gap features Dura-Coated cast iron body with slip joint inlet and no-hub outlet.



Product Designation	Dimensions in inches [mm]		Approximate Weight lb [kg]
	A' x A SJ x N.P.T.	B	
-2	1-1/2 [38] x 2 [51]	10 [254]	4 [2]
-3	2 [51] x 3 [76]		8 [4]
-4	3 [76] x 4 [102]		20 [9]
-6	4 [102] x 6 [152]		32 [15]

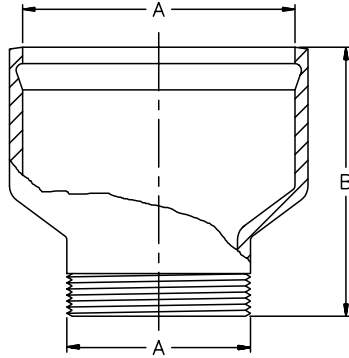
PREFIXES	DESCRIPTION	PRODUCT DESIG.	PIPE SIZE/OUTLET TYPE	LIST PRICE
Z1025*	D.C.C.I. Body	-2	1-1/2SJ x 2NH	205.00
		-3	2SJ x 3NH	245.00
		-4	3SJ x 4NH	361.00
		-6	4SJ x 6NH	843.00
ZARB1025	All Plain Bronze Body	-2	1-1/2SJ x 2NH	507.00
		-3	2SJ x 3NH	612.00
		-4	3SJ x 4NH	900.00
		-6	4SJ x 6NH	2,109.00
SUFFIXES				ADD
-G	Galvanized Cast Iron			117.00

Z1030 HUB ADAPTER



ENGINEERING SPECIFICATION

Zurn Z1030 hub adapter features Dura-Coated cast iron with male NPT threaded and hub connections.



Product Designation	Dimensions in inches [mm]		Approximate Weight lb [kg]
	Pipe Size		
	A	B	
-2	2 [51]	4-1/4 [108]	3 [1]
-3	3 [76]	4-3/8 [111]	5 [2]
-4	4 [102]	4-3/4 [121]	6 [3]
-6	6 [152]	5 [127]	9 [4]

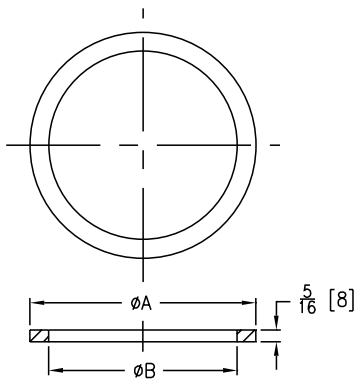
PREFIXES	DESCRIPTION	PRODUCT DESIG.	PIPE SIZE/OUTLET TYPE	LIST PRICE
Z1030*	D.C.C.I. Body with Threaded x Hub Connection Type	-2	2IP x 2HB	107.00
		-3	3IP x 3HB	198.00
		-4	4IP x 4HB	271.00
		-6	6IP x 6HB	517.00
SUFFIXES		PIPE SIZE	ADD	
-G	Galvanized Cast Iron	2" [51mm], 3" [76mm], 4" [102mm]	67.00	
		6" [152mm]	92.00	

Z1032 INSIDE CAULK REDUCER



ENGINEERING SPECIFICATION

Zurn Z1032 inside caulk features Dura-Coated cast iron reducing ring.



Product Designation	Dimensions in inches [mm]		Approximate Weight lb [kg]
	Pipe Size		
	A	B	
-3 x 2	3 [76]	2 [51]	1 [0.5]
-4 x 2	4 [102]		
-4 x 3		3 [76]	
-6 x 4	6 [152]	4 [102]	1.5 [0.7]
-6 x 5		5 [127]	

PREFIXES	DESCRIPTION	PRODUCT DESIG.	LIST PRICE
Z1032*	Dura-Coated Cast Iron Reducing Ring	-3 x 2	51.00
		-4 x 2	61.00
		-4 x 3	86.00
		-6 x 4	135.00
		-6 x 5	154.00

*Regularly furnished unless otherwise specified.

⌚ This symbol denotes a product that is engineered to reduce installation and rework time.

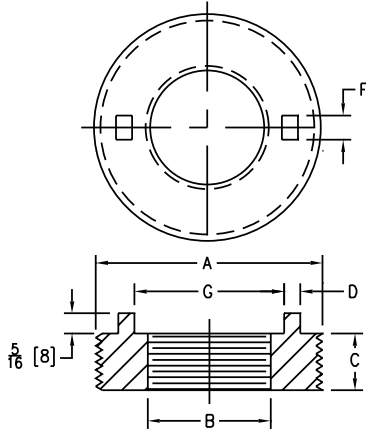
For additional product information, please visit www.zurn.com

Z1033 FEMALE PIPE THREAD REDUCER



ENGINEERING SPECIFICATION

Zurn Z1033 female pipe thread reducer features cast iron construction and is available in ranging sizes.



PREFIXES	DESCRIPTION	PRODUCT DESIG.	LIST PRICE
Z1033*	Male Thread x Female Thread Cast Iron Reducer	-1 x .75	93.00
		-1.5 x 1.25	93.00
		-2 x 1.25	93.00
		-2 x 1.5	93.00
		-3 x 1.5	112.00
		-3 x 2	112.00
		-4 x 2	119.00
		-4 x 3	119.00
		-6 x 4	155.00
		-6 x 5	155.00

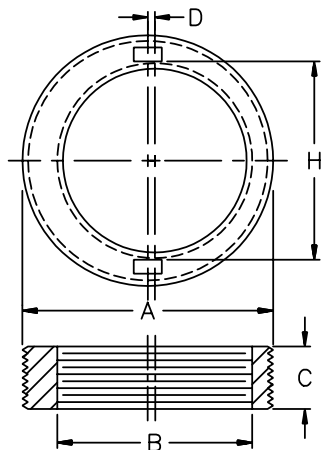
Product Designation	Dimensions in inches [mm]						Approximate Weight lb [kg]
	A	B	C	D	F	G	
-1 x .75	1 [25]	3/4 [19]	7/16 [11]	-	-	-	.5 [.25]
-1.5 x 1.25	1-1/2 [38]	1-1/4 [32]	1/2 [13]	-	-	-	
-2 x 1.25	2 [51]		1-1/2 [38]	9/16 [14]	1/8 [3]	3/8 [9]	1-29/32 [48]
-2 x 1.5		7/8 [22]		1/4 [6]	2-5/16 [59]		
-3 x 1.5	3 [76]	2 [51]	1-1/8 [29]		1/4 [6]	1/2 [13]	2-35/64 [65]
-3 x 2				3-1/16 [78]			3 [1]
-4 x 2	4 [102]	3 [76]	1-1/8 [29]	1/4 [6]	1/2 [13]	3-37/64 [91]	2 [1]
-4 x 3						5-1/8 [130]	6 [3]
-6 x 4	6 [152]	4 [102]	1-1/8 [29]	5/16 [8]	1/2 [13]	5-21/32 [144]	3.75 [2]
-6 x 5						5 [127]	

Z1034 FEMALE PIPE ECCENTRIC REDUCER



ENGINEERING SPECIFICATION

Zurn Z1034 female pipe thread eccentric reducer features cast iron.



Product Designation	Dimensions in inches [mm]					Approximate Weight lb [kg]
	A	B	C	D	H	
-3 x 2	3 [76]	2 [51]	7/8 [22]	3/16 [5]	2-5/8 [67]	1 [0.5]
-4 x 2	4 [102]			11/16 [17]	3 [76]	3 [1]
-4 x 3		3 [76]	1-1/8 [29]	1/8 [3]	3-9/16 [90]	1.5 [0.7]

PREFIXES	DESCRIPTION	PRODUCT DESIG.	LIST PRICE
Z1034*	Female Pipe Thread Cast Iron Reducer	-3 x 2	93.00
		-4 x 2	155.00
		-4 x 3	155.00

🕒 Z1035 FLOOR DRAIN INSTALLATION STABILIZER



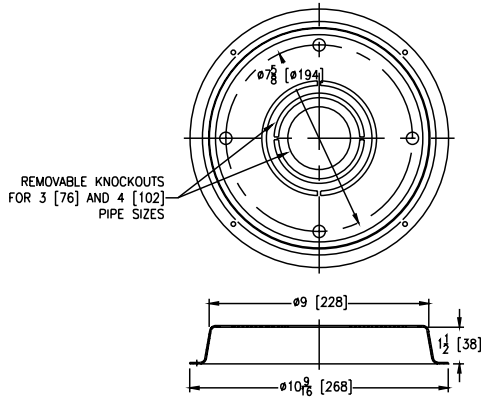
Patented

ENGINEERING SPECIFICATION

Zurn Z1035 floor drain installation stabilizer features #20 gage, galvanized steel plate with variable pipe opening, four support stud holes, and four nail holes. Complete with hardware bag containing four 3/8"-16 x 12" [305mm] long studs and eight 3/8"-16 flanged locknuts.

NOTE

- 7-5/8" [194mm] diameter stud holes are used to accommodate 8-3/8" [213mm] diameter drain body. (To be used with no-hub and Neo-Loc outlet connections only.)
- For typical installation, see Form No. FD72.



Dimensions in inches [mm]

Pipe Size	Pipe Opening Diameter
2 [51]	2-9/16 [65]
3 [76]	3-11/16 [94]
4 [102]	4-11/16 [119]

PREFIXES	DESCRIPTION	PIPE SIZE	LIST PRICE
Z1035*	Galvanized Steel Plate	2", 3", 4"	104.00



ZN415 Floor Drain with Z1035 Stabilizer

🕒 Z1035-Q STRUCTURAL DECK DRAIN STABILIZER



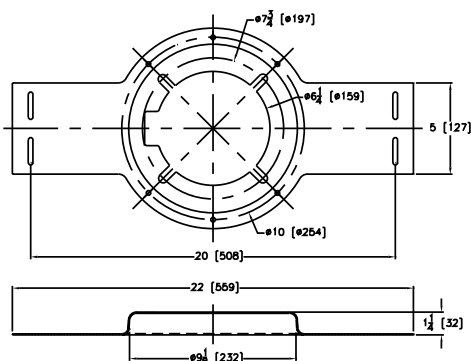
Patented

ENGINEERING SPECIFICATION

Zurn Z1035-Q structural deck drain stabilizer for Q-deck features #16 gage galvanized steel plate with four support stud slots, and six (6) nail holes. Complete with hardware bag containing four 3/8"-16 x 12" long studs and eight 3/8"-16 flanged locknuts.

NOTE

Designed for use with 8-3/8" [213mm] diameter drain body.



PREFIXES	DESCRIPTION	LIST PRICE
Z1035-Q*	Galvanized Steel Plate	144.00



ZN158 Floor Drain with Z1035-Q Stabilizer

*Regularly furnished unless otherwise specified.

🕒 This symbol denotes a product that is engineered to reduce installation and rework time.

For additional product information, please visit www.zurn.com

🕒 Z1036 FLOOR DRAIN INSTALLATION STABILIZER



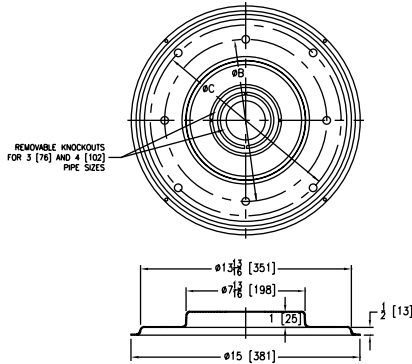
Patented

ENGINEERING SPECIFICATION

Zurn Z1036 floor drain installation stabilizer features #16 gage, galvanized steel plate with variable pipe opening, eight support stud holes, and four nail holes. Complete with hardware bag containing four 3/8"-16 x 12" [305mm] long studs and eight 3/8"-16 flanged locknuts.

NOTE

- 'B' diameter stud holes are used to accommodate 12" [305mm] diameter drain body. 'C' diameter stud holes are used to accommodate 15" [381mm] diameter drain body. (To be used with no-hub and Neo-Loc outlet connections only.)
- For typical installation, see Form No. FD72.



Dimensions in inches [mm]

Pipe Size	Pipe Opening Diameter	B	C
2 [51]	2-9/16 [65]	10-5/8 [270]	12-1/2 [318]
3 [76]	3-11/16 [94]		
4 [102]	4-11/16 [119]		

PREFIXES	DESCRIPTION	PIPE SIZE	LIST PRICE
Z1036*	Galvanized Steel Plate	2", 3", 4"	109.00



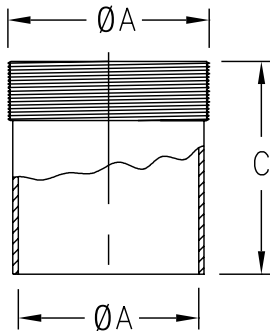
ZN150 Floor Drain with Z1036 Stabilizer

Z1040 NO-HUB ADAPTER



ENGINEERING SPECIFICATION

Zurn Z1040 no-hub adapter features Dura-Coated cast iron with male NPT threaded and no-hub connections.



Product Designation	Dimensions in inches [mm]		Approximate Weight lb [kg]
	A Pipe Size	C	
-2	2 [51]	3-1/2 [89]	1 [0.5]
-3	3 [76]		2 [1]
-4	4 [102]		3 [1]
-5	5 [127]		4 [2]
-6	6 [152]		5 [2]
-8	8 [203]		8 [4]
-10	10 [254]		11 [5]
-12	12 [305]		23 [10]

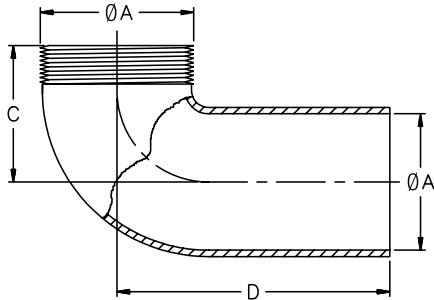
PREFIXES	DESCRIPTION	PRODUCT DESIG.	PIPE SIZE/OUTLET TYPE	LIST PRICE
Z1040*	D.C.C.I. Body with Male Thread x No-Hub Connection Type	-2	2IP x 2NH	80.00
		-3	3IP x 3NH	101.00
		-4	4IP x 4NH	139.00
		-5	5IP x 5NH	210.00
		-6	6IP x 6NH	218.00
		-8	8IP x 8NH	483.00
		-10	10IP x 10NH	599.00
		-12	12IP x 12NH	695.00
SUFFIXES				ADD
-G	Galvanized Cast Iron			117.00

Z1042 ELBOW ADAPTER



ENGINEERING SPECIFICATION

Zurn Z1042 elbow adapter features Dura-Coated cast iron with male NPT threaded and no-hub connections.



Product Designation	Dimensions in inches [mm]			Approximate Weight lb [kg]
	A Pipe Size	C	D	
-3	3 [76]	3-3/4 [95]	7 [178]	8 [4]
-4	4 [102]	4 [102]	8 [203]	14 [6]
-6	6 [152]	5-1/2 [140]	9 [229]	25 [11]

PREFIXES	DESCRIPTION	PRODUCT DESIG.	PIPE SIZE/OUTLET TYPE	LIST PRICE
Z1042*	D.C.C.I. Body with Male Thread and No-Hub Connection Type	-3	3IP x 3NH	242.00
		-4	4IP x 4NH	271.00
		-6	6IP x 6NH	322.00
SUFFIXES		PIPE SIZE		ADD
-G	Galvanized Cast Iron	3" [76mm]		131.00
		4" [102mm]		131.00
		6" [152mm]		183.00

Z1088 BACKWATER VALVE GATE TYPE

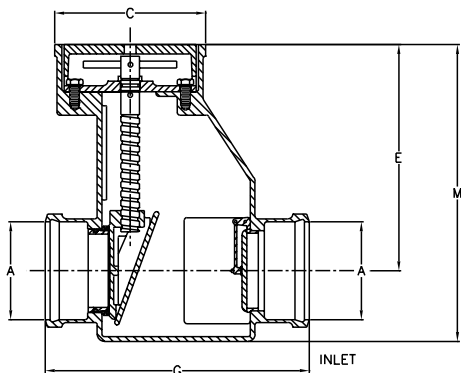


ENGINEERING SPECIFICATION

Zurn Z1088 backwater valve features Dura-Coated cast iron body, automatic PVC (4" [102mm] size only) flapper type backwater valve with O-ring adjacent to inlet, and spade type bronze gate valve with O-ring seat insert adjacent to outlet, easily controlled at floor level by covered handle engaging bronze non-rising stem.

NOTE

Not designed nor intended to be used as a shut-off valve.



Product Designation	Dimensions in inches [mm]				Approximate Weight lb [kg]
	A Pipe Size	C	E	M	
-4	4 [102]	8 [203]	12 [305]	15-3/4 [400]	80 [36]
-6	6 [152]	10-1/2 [267]	14-1/2 [368]	19 [483]	120 [54]

PREFIXES	DESCRIPTION	PIPE SIZE	LIST PRICE
Z1088*	D.C.C.I. Body and Cover with PVC Flapper Valve, Bronze Check Valve, Gate, and Stem	4", 6"	Combine with connection type for pricing
CONNECTION DESIGNATION (SPECIFY PIPE SIZE IN INCHES AND TYPE OF CONNECTION)			
PRODUCT DESIG.	CONNECTION TYPE	PIPE SIZE/OUTLET TYPE	ADD
-4	Hub x Hub	4HB x 4HB	3,051.00
	Hub x No-Hub	4HB x 4NH	3,051.00
	No-Hub x No-Hub	4NH x 4NH	3,051.00
-6	Hub x Hub	6HB x 6HB	5,497.00
	Hub x No-Hub	6HB x 6NH	5,497.00
	No-Hub x No-Hub	6NH x 6NH	5,497.00
SUFFIXES		PIPE SIZE	ADD
-BV	Bronze Flapper Valve (4" [102mm] Size)		N/C
-G	Galvanized Cast Iron Body		884.00
-WH	Wheel Handle		453.00
-12	12" [305mm] Extension	4" [102mm]	934.00
		6" [152mm]	1,075.00
-24	24" [610mm] Extension	4" [102mm]	1,306.00
		6" [152mm]	1,431.00

*Regularly furnished unless otherwise specified.

⌚ This symbol denotes a product that is engineered to reduce installation and rework time.

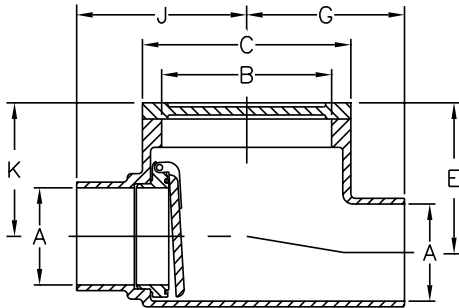
For additional product information, please visit www.zurn.com

Z1090 BACKWATER VALVE FLAPPER TYPE



ENGINEERING SPECIFICATION

Zurn Z1090 backwater valve features Dura-Coated cast iron body, no-hub inlet and outlet, gasketed bolted cover, and automatic PVC (3" [76mm] and 4" [102mm] sizes only) flapper type backwater valve with O-ring.



PREFIXES	DESCRIPTION	PRODUCT DESIG.	PIPE SIZE/OUTLET TYPE	LIST PRICE
Z1090*	D.C.C.I. Body with No-Hub Connection Type	-2	2NH	579.00
		-3	3NH	836.00
		-4	4NH	977.00
		-6	6NH	1,127.00
SUFFIXES				ADD
-BP	Bronze Threaded Plug Cover			N/C
-BV	Bronze Flapper Valve (3" [76mm] and 4" [102mm] Size)			N/C
-G	Galvanized Cast Iron Body			336.00

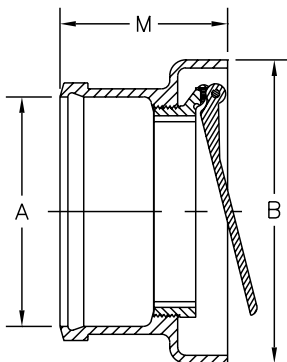
Product Designation	Dimensions in inches [mm]							Approximate Weight lb [kg]
	A Pipe Size	B	C	E	G	J	K	
-2	2 [51]	5-1/4 [133]	6-1/2 [165]	4-5/8 [117]	4-7/8 [124]	5-1/4 [133]	3-5/8 [92]	16 [7]
-3	3 [76]			4-1/8 [105]				17 [8]
-4	4 [102]	6-3/8 [162]	7-1/2 [191]	4-3/4 [121]	6 [152]	6 [152]	4-1/4 [108]	22 [10]
-6	6 [152]	8-1/4 [210]	9-1/2 [241]	7-1/2 [191]	6-5/8	7-7/16	6 [152]	34 [15]

Z1091 BACKWATER VALVE FLAPPER TYPE



ENGINEERING SPECIFICATION

Zurn Z1091 backwater valve features Dura-Coated cast iron body, hub inlet and open outlet for installation at end of drainage line, and automatic PVC (3" [76mm] and 4" [102mm] sizes only) flapper type backwater valve with O-ring.



Product Designation	Dimensions in inches [mm]			Approximate Weight lb [kg]
	A Pipe Size	B	M	
-3	3 [76]	7 [178]	5 [127]	12 [5]
-4	4 [102]	7-1/2 [191]		15 [7]
-6	6 [152]	9-1/2 [241]	5-1/4 [133]	28 [13]
-8	8 [203]	11-1/2 [292]	6 [152]	42 [19]
-10	10 [254]	14 [356]	7 [178]	58 [26]

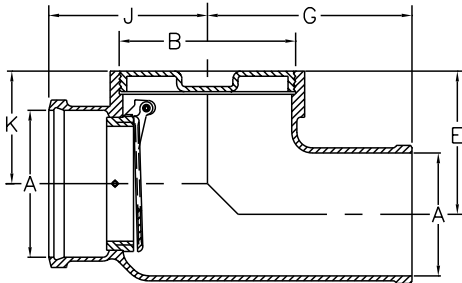
PREFIXES	DESCRIPTION	PRODUCT DESIG.	PIPE SIZE/OUTLET TYPE	LIST PRICE
Z1091*	D.C.C.I. Body with Hub Connection Type	-3	3HB	579.00
		-4	4HB	600.00
		-6	6HB	746.00
		-8	8HB	1,973.00
		-10	10HB	4,028.00
SUFFIXES			PIPE SIZE	ADD
-BV	Bronze Flapper Valve (3" [76mm] and 4" [102mm] Size)			N/C
-G	Galvanized Cast Iron		3" [76mm], 4" [102mm]	183.00
			6" [152mm]	218.00
			8" [203mm], 10" [254mm]	314.00

Z1095 BACKWATER VALVE FLAPPER TYPE



ENGINEERING SPECIFICATION

Zurn Z1095 backwater valve features Dura-Coated cast iron body, hub inlet and offset spigot outlet, bronze threaded cover, and automatic PVC (3" [76mm] and 4" [102mm] sizes only) flapper type backwater valve with O-ring.



PREFIXES	DESCRIPTION	PRODUCT DESIG.	PIPE SIZE/OUTLET TYPE	LIST PRICE
Z1095*	D.C.C.I. Body with Hub x Spigot Connection Type	-2	2HB x 2SP	1,017.00
		-3	3HB x 3SP	1,574.00
		-4	4HB x 4SP	1,935.00
		-6	6HB x 6SP	2,436.00
		-8	8HB x 8SP	3,228.00
		-10	10HB x 10SP	3,630.00
SUFFIXES		PIPE SIZE		ADD
-BC	Bolted Cover			N/C
-BV	Bronze Flapper Valve (3" [76mm] and 4" [102mm] Size)			N/C
-G	Galvanized Cast Iron	2" [51mm] thru 4" [102mm]		336.00
		6" [152mm]		483.00
		8" [203mm], 10" [254mm]		866.00

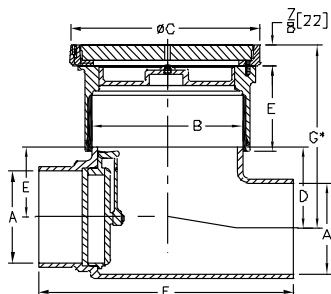
Product Designation	Dimensions in inches [mm]						Approximate Weight lb [kg]
	A Pipe Size	B	E	G	J	K	
-2	2 [51]	4 [102]	4-3/8 [111]	7 [178]	5 [127]	2-7/8 [73]	23 [10]
-3	3 [76]	5 [127]	5-1/8 [130]	8 [203]	6 [152]	3-5/8 [92]	30 [14]
-4	4 [102]	6 [152]	5-5/8 [143]	8-1/2 [216]	6-3/4 [171]	4-1/8 [105]	34 [15]
-6	6 [152]	8 [203]	6 [152]	10 [254]	7-3/4 [197]	4-1/2 [114]	57 [26]
-8	8 [203]	10 [254]	7-1/2 [191]	11-7/8 [302]	9-3/8 [238]	6 [152]	79 [36]
				12-3/4 [324]	10-7/8 [276]	7 [178]	102 [46]
-10	10 [254]	12 [305]					

Z1095-15 BACKWATER VALVE WITH FLOOR LEVEL CLEANOUT



ENGINEERING SPECIFICATION

Zurn Z1095-15 Backwater Valve features Dura-Coated cast iron body, No-Hub inlet/outlet floor level cleanout ferrule with secured gasketed cover, adjustable housing frame and cover, and bronze backwater valve assembly.



PREFIXES	DESCRIPTION	PRODUCT DESIG.	LIST PRICE	
Z1095-15*	D.C.C.I. Body	-3	1,913.00	
		-4	2,040.00	
		-6	2,772.00	
ZN1095-15	D.C.C.I. Body with Nickel Bronze Frame and Cover	-3	2,040.00	
		-4	2,127.00	
		-6	2,885.00	
SUFFIXES		PIPE SIZE		ADD
-BV	Bronze Flapper Valve	3" [76mm], 4" [102mm]		N/C
		6" [152mm]		229.00
-G	Galvanized Cast Iron	2" [51mm] thru 4" [102mm]		650.00
-X	Polished Nickel Bronze Frame and Cover Recessed for Tile			532.00

Product Designation	Dimensions in inches [mm]							Approximate Weight lb [kg]
	A Pipe Size	B	C	D	E	F	G	
-3	3 [76]	3 [76]	5-1/8 [130]	6-1/8 [156]	3-5/8 [92]	15 [381]	15-1/8 [384]	25 [11]
-4	4 [102]	4 [102]	6-1/8 [156]	6-1/2 [165]	3-5/8 [92]	16-1/4 [413]	15-1/2 [394]	33 [15]
-6	6 [152]	6 [152]	8-1/4 [210]	7-3/8 [187]	3-3/4 [95]	17 [432]	16-3/8 [416]	74 [34]

*Regularly furnished unless otherwise specified.

For additional product information, please visit www.zurn.com

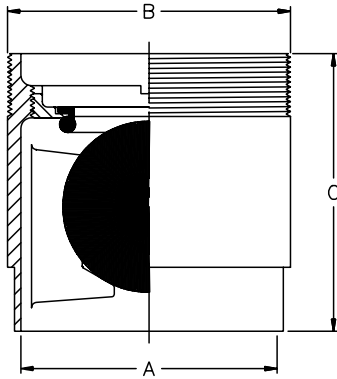
⌚ This symbol denotes a product that is engineered to reduce installation and rework time.

Z1099 BACKWATER VALVE BALL FLOAT TYPE



ENGINEERING SPECIFICATION

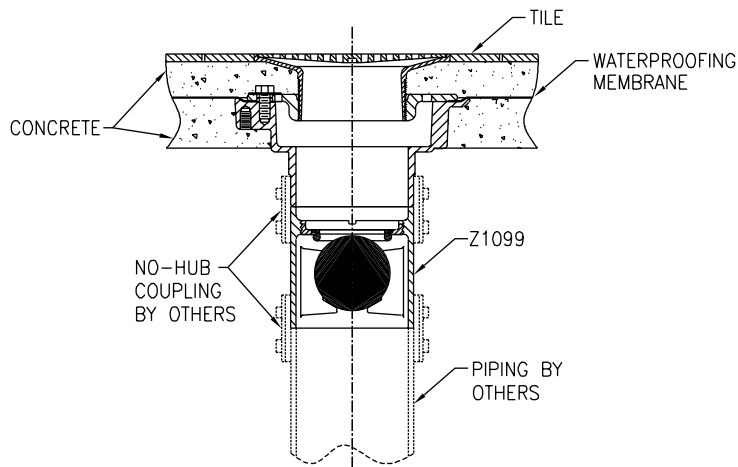
Zurn Z1099 backwater valve features Dura-Coated cast iron body, plastic ball float, bronze backwater bushing, and replaceable neoprene seat.



Product Designation	Dimensions in inches [mm]			Approximate Weight lb [kg]
	A Pipe Size	B	C	
-3	3 [76]	3 [76]	6-1/2 [165]	7 [3]
-4	4 [102]	4 [102]		9 [4]
-6	6 [152]	6 [152]		25 [11]

PREFIXES	DESCRIPTION	PIPE SIZE	LIST PRICE
Z1099*	D.C.C.I. Body	3" 4", 6"	Combine with connection type for pricing

CONNECTION DESIGNATION (SPECIFY PIPE SIZE IN INCHES AND TYPE OF CONNECTION)			
PRODUCT DESIG.	CONNECTION TYPE	PIPE SIZE/OUTLET TYPE	ADD
-3	Threaded x No-Hub	3IP x 3NH	430.00
	No-Hub x No-Hub	3NH x 3NH	430.00
-4	Threaded x No-Hub	4IP x 4NH	430.00
	No-Hub x No-Hub	4NH x 4NH	430.00
-6	Threaded x No-Hub	6IP x 6NH	1,048.00
	No-Hub x No-Hub	6NH x 6NH	1,048.00
SUFFIXES			ADD
-G	Galvanized Cast Iron	3" [76mm], 4" [102mm]	115.00
		6" [152mm]	183.00



Z1099 shown installed on the outlet of a floor drain. In order for the Z1099 to operate properly, it must always be installed in a vertical position as illustrated.

INTERCEPTORS

INTERCEPTORS – GENERAL INFORMATION	186	Z1181 SOLIDS INTERCEPTOR	200
INTERCEPTORS – APPLICATION INDEX	186	Z1182 SIDE ACCESS SOLIDS INTERCEPTOR	201
GREASE INTERCEPTORS – PURPOSE	186	Z1183 SOLIDS INTERCEPTOR	201
GREASE INTERCEPTORS – OPERATION	187	Z1183-DF SOLIDS INTERCEPTOR WITH DISPOSABLE FILTER BAGS	202
Z1165 100 PPM GREASE INTERCEPTOR SYSTEM WITH SOLIDS INTERCEPTOR	188	Z1183-FC SOLIDS INTERCEPTOR WITH FLUSH COVER	203
Z1170 GREASE INTERCEPTOR	189	Z1184 BOTTOM ACCESS SOLIDS INTERCEPTOR	204
Z1170-UN GREASE INTERCEPTOR WITH USER NOTIFICATION SYSTEM	190	Z1185 LINT INTERCEPTOR	205
Z1171 LOW PROFILE GREASE INTERCEPTOR	191	OIL INTERCEPTORS – GENERAL PRODUCT INFORMATION	206
Z1171-TD LOW PROFILE GREASE INTERCEPTOR WITH ACCUMULATING CONE AND FLOW CONTROL TEE	192	OIL INTERCEPTORS – APPLICATION INDEX	206
Z1172 LARGE CAPACITY GREASE INTERCEPTOR	193	Z1186 OIL INTERCEPTOR	207
Z1172-UN LARGE CAPACITY GREASE INTERCEPTOR WITH USER NOTIFICATION SYSTEM	194	Z1186-ST OIL INTERCEPTOR WITH INTEGRAL STORAGE TANK	208
Z1173 EJECTO-MATIC GREASE INTERCEPTOR	195	Z1187 SAND AND SEDIMENT INTERCEPTOR	209
Z1173-TD EJECTO-MATIC GREASE INTERCEPTOR WITH GREASE ACCUMULATING CONE AND IN-LINE SHUTOFF VALVE	196	Z1187-SI SAND INTERCEPTOR	210
Z1174 GREASE EATING BACTERIA DOSING UNIT AND SOLIDS INTERCEPTOR COMBINATION	197	Z1188 LARGE CAPACITY OIL INTERCEPTOR	211
SOLIDS INTERCEPTORS – GENERAL PRODUCT INFORMATION	198	Z1188-ST LARGE CAPACITY OIL INTERCEPTOR WITH INTEGRAL STORAGE TANK	212
SOLIDS INTERCEPTORS – APPLICATION INDEX	198	Z1189 OIL/SEDIMENT INTERCEPTOR WITH HEAVY-DUTY GRATE	213
SOLIDS INTERCEPTORS – SIZING	198	Z1194 OIL LEVEL SENSOR RETROFIT KIT	214
Z1175 HAIR INTERCEPTOR	199	Z1196 OIL INTERCEPTOR WITH OIL LEVEL SENSOR	215
Z1176 HAIR INTERCEPTOR	199	Z1198 LARGE CAPACITY OIL INTERCEPTOR WITH OIL LEVEL SENSOR	216
Z1180 SOLIDS INTERCEPTOR	200	Z1198-ST LARGE CAPACITY OIL INTERCEPTOR WITH INTEGRAL STORAGE TANK AND OIL LEVEL FLOAT SENSOR	217

INTERCEPTORS – GENERAL INFORMATION

Zurn manufactures three types of interceptors to meet all your plumbing needs: grease interceptors, solids interceptors, and oil interceptors. Zurn interceptors are designed for use in plumbing wastewater systems to prevent harmful or undesirable substances from entering the wastewater control system. Note: Interceptors are not pressurized vessels and should not undergo pressure testing.

To obtain more detailed information on Zurn interceptors, phone 855-ONE-ZURN, or contact your local Zurn sales representative.

INTERCEPTORS – APPLICATION INDEX

Product selection should be made with a specific application and the type of construction in mind. The varied types and sizes of Zurn interceptors, along with their options, offer a selection for all applications.

APPLICATION	RECOMMENDED INTERCEPTOR
Cooking and Processing Kettles*; Pot, Pan, and Scullery Sinks	Z1165, Z1170, Z1170-UN, ZS1170, Z1171, Z1171-TD, Z1172, Z1172-UN, Z1173, Z1173-TD, Z1174, Z1199
Soup Kettles*	Z1165, Z1170, Z1170-UN, ZS1170, Z1171, Z1171-TD, Z1173, Z1173-TD, Z1174, Z1199
Dishwashing Machines*	Z1165, Z1170, Z1170-UN, ZS1170, Z1172, Z1172-UN, Z1173, Z1173-TD, Z1174, Z1199
Grease Draw-off Units	Z1171-TD, Z1173, Z1173-TD, Z1199
Miscellaneous Equipment Holding*, Grease-Laden Water	Z1165, Z1170, Z1170-UN, ZS1170, Z1171, Z1171-TD, Z1172, Z1172-UN, Z1173, Z1173-TD, Z1174

*A Zurn Solids Interceptor is recommended to be used in conjunction with all grease interceptors. See product information for details.

GREASE INTERCEPTORS – PURPOSE

For over a hundred years, grease interceptors have been used in plumbing wastewater systems to permit free flow of drainage from sinks and similar equipment. They have played an important role in preventing grease accumulations from clogging waste pipes and sewer lines. They also help to improve operations at wastewater treatment facilities and prevent environmental problems caused by grease.

Zurn engineers were part of the original team that developed the current Plumbing and Drainage Institute Standard PDI-G101, which was first issued in 1949. PDI-G101 is now cited in numerous codes, as well as in Military Specification MIL-T-18361. Many Zurn grease interceptors comply with PDI-G101 and carry the PDI label.

WHY ARE GREASE INTERCEPTORS NEEDED?

1. To prevent waste pipes in buildings from becoming clogged.
2. To prevent sewer lines from clogging and improve operation of water treatment plants by reducing the wastewater grease load from entering the plant.
3. To prevent environmental problems caused by grease mixed with other debris at landfills and in waterways.
4. To promote the recycling of recovered clean grease.

Grease entering the wastewater collection system presents major problems from the moment of entry and continuing to the final stage in wastewater treatment. It is an expensive burden in sewer pipes due to blockage and reduced capacity, causing the need for frequent cleaning. In severe cases, entire lengths of sewer pipe must be replaced due to solidification of the grease and other debris. Grease also causes substantial problems in wastewater treatment facilities because of its detrimental effect on the bacterial process of wastewater treatment. Not only is there a grease removal problem, but large quantities of grease can overload and compromise the digestive process, adversely affecting the operation of the wastewater treatment plant.

Another important reason for grease interception and recovery is for recycling. Grease, if recovered and purified (free of contaminants and water) can be turned into a valuable resource. Recovered grease can be used in the manufacturing of fertilizers, soaps, animal feed, cosmetics, and components of explosives such as nitroglycerine.

GREASE INTERCEPTORS – OPERATION

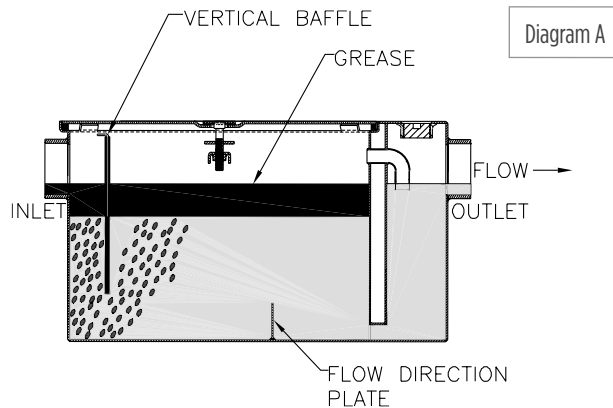
Four factors are critical to the proper operation of a grease interceptor: design, sizing, proper installation, and maintenance.

DESIGN

What makes Zurn interceptors most efficient are superior design characteristics (Diagram A).

Standard Zurn units are provided with a high inlet which allows all flow to empty into the interceptor. This keeps inlet lines from becoming clogged with grease buildup, which occurs with low inlet units and with large concrete separators buried outside. Because the static water level is maintained at the bottom of the outlet, any piping into the interceptor below this elevation will remain filled with water.

The Zurn solid vertical baffle plate immediately diffuses flow and channels the incoming fluids directly to the bottom of the separation chamber. A flow directing plate on the outlet side of the vertical baffle enhances flow in an upward direction and traps solids that may inadvertently enter the interceptor. This provides the maximum amount of time possible for separation to occur. Grease being approximately 90% of the weight of water, separates and floats to the top of the water under these conditions. The calming effect on the flow and the extended time sequence in the chamber allows for more efficient separation (Diagram A).



Zurn interceptors have an unobstructed separation chamber permitting the entire baffle to be lifted upward and removed. This provides for fast, easy cleaning which minimizes the amount of time the lid is off and the contents are exposed to the environment.

Odor from accumulated grease in an interceptor may pass back through the piping system and through the drain opening. An additional trap should be considered between the fixture and interceptor. Consult local codes.

Zurn interceptors are manufactured standard with a removable cleanout plug on the outlet side of the separation chamber, past the integral trap seal. This allows for quick, easy access to the outlet drainage pipe, should an obstruction or blockage occur downstream of the interceptor.

Zurn 1100 Series Interceptors are 100% steel construction, coated with a white acid-resisting epoxy (A.R.C.). Zurn Series Interceptors with flow rates from 4 to 50 GPM are certified by the Plumbing and Drainage Institute (PDI). Zurn Grease Interceptors with flow rates from 20 to 50 GPM are listed by the International Association of Plumbing and Mechanical Officials (IAPMO).

SIZING

The Plumbing and Drainage Institute (PDI) as well as some national and local codes have recognized different ways of sizing grease interceptors. It is advisable to check with local authorities for sizing requirements in your particular locality.

The following pages outline the most widely used sizing methods along with some common variables which, if present, could adversely affect the operation of your grease interceptor. If any of the following variables are present, added care should be taken to select the proper size interceptor with appropriate options to compensate for each irregularity.

VARIABLES AFFECTING GREASE INTERCEPTOR PERFORMANCE

VELOCITY OF INCOMING WATER

A higher velocity of water will contribute to a more turbulent mixture. This will slow the grease separation process, thereby reducing efficiency.

Recommended Solution – Maximize incoming pipe size to lower flow velocity or install additional flow control fittings at all sources of flow.

RATIO OF GREASE TO THE WATER

The higher the ratio of grease particles to the water, the lower the efficiency of the interceptor.

Recommended Solution – Increase the size of the interceptor.

SPECIFIC GRAVITY (WEIGHT) OF THE FILTRATES

Grease has a lower specific gravity than water and will rise to the surface quickly. Grease-laden food particles, having a higher specific gravity than water, will linger and accumulate at the bottom, eventually passing out of the interceptor.

Recommended Solution – Install a solids interceptor at the source of solid particles, prior to the grease interceptor.

POSSIBLE PRESENCE OF DETERGENTS IN THE SYSTEM

Grease-cutting detergents will break the liquid grease into minute particles that can cause these liquids to pass through the interceptor.

Recommended Solution – Minimize the use of detergents, or increase the size of the interceptor.

PERCENTAGE OF MAXIMUM FLOW CAPACITY

If the maximum recommended flow is exceeded, the efficiency of the interceptor will decrease considerably.

Recommended Solution – Increase size of the interceptor to accommodate the increased flow, or install additional flow control fittings at all sources of flow.

LOCATION OF GREASE INTERCEPTOR

The interceptor should be located as close as possible to the source of grease. Waste pipes leading to the grease interceptor may become clogged if liquid cools prior to entering the grease interceptor.

Z1165 100 PPM GREASE INTERCEPTOR SYSTEM WITH SOLIDS INTERCEPTOR



Patented



ENGINEERING SPECIFICATION

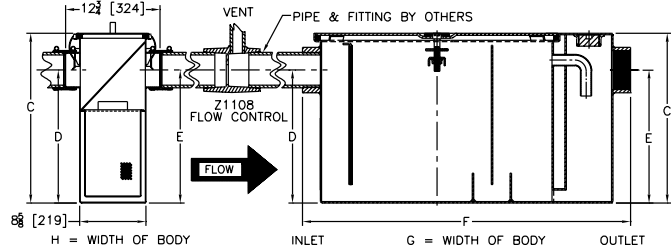
Zurn Z1165 grease interceptor system features acid resistant coated interior and fabricated steel exterior, PDI rated at ___ gpm and ___ lb grease capacity, internal air relief bypass, bronze cleanout plug, removable pressure equalizing/flow-diffusing inlet baffle, fixed bottom outlet baffle, and visible double wall trap seal. Gasketed, non-skid, secured cover completes tie down assembly with Z1108 flow control fitting. Includes acid resistant coated fabricated steel solids interceptor with replaceable filter bags, retainer plate, latched lid, and removable sediment basket. Grease interceptor effluent efficiency meets 100 parts per million when tested to EPA 1664 test method. Results based on the influent requirements in accordance with the maximum rated capacity given by Plumbing and Drainage Institute Standard PDI-G101. The presence of solids particles may cause results to vary per application.

NOTES

Location of inlet and outlet from bottom of interceptor cannot be changed.

CAUTION

Solids should not be permitted to enter a grease interceptor. Where solids are present, use a Zurn Z1183 or Z1183-DF solids interceptor (see pages 201 and 202). Installations using indirect piping to unit could result in standing water in floor sink or flooding if line blockage occurs. Interceptors must be maintained periodically in order to ensure proper operation of the system. Follow cleaning schedule based on usage.



SUFFIXES	SIZE	ADD
-HD	Heavy Duty Cover rated at 10,000 lbs. maximum safe live load. A 3" [76mm] minimum extension height is required when Heavy Duty Cover option (-HD) is specified.	200 6,964.00
		300 7,358.00
		400 8,128.00
		500 8,512.00
		600 8,990.00
		700 12,369.00
-K	Anchor flange 1-3/4" [44mm] down from top and 2" [51mm] wide. A 3" [76mm] minimum extension height is required when anchor flange (-K) option is specified (specify 'C' dimension required).	800 13,573.00
		200 1,583.00
		300 1,648.00
		400 1,733.00
		500 1,765.00
		600 2,063.00
-KC	Anchor flange 1-3/4" [44mm] down from top and 2" [51mm] wide with clamp collar. A 3" [76mm] minimum extension height is required when anchor flange (-KC) option is specified.	700 2,309.00
		800 2,767.00
		200 1,765.00
		300 1,968.00
		400 2,045.00
		500 2,326.00
-L	Angle type (Z1108-L) flow control device with plunger	N/C
	Less Solids Interceptor	POA
-PW	Plug Wrench	98.00
-R	Acid resistant coated interior and exterior fabricated steel recessing receiver for recessed installation is equipped with adjustable support brackets and gasketed non-skid cover with removable lift handles. Only available with sizes 200-700.	200 8,066.00
		300 8,276.00
		400 8,640.00
		500 9,126.00
		600 POA
		700 POA
-RE	Acid resistant coated interior and exterior fabricated steel recessing receiver (enclosed type) for recessed installation. Furnished with adjustable support brackets and gasketed, non-skid, secured cover with removable lift handles. Only available with sizes 200-700.	200 9,633.00
		300 9,965.00
		400 10,858.00
		500 11,435.00
		600 POA
		700 POA
-SI	Solids Interceptor Only (Specify required size.)	POA
-T	Cover recessed for tile/terrazzo. A 3" [76mm] minimum extension height is required. (Specify 'C' dimension and required recess depth: 1/8" [3mm], 3/4" [19mm], or 1-1/4" [32mm])	200 7,118.00
		300 8,228.00
		400 10,097.00
		500 14,032.00
		600 POA
		700 POA
-XF	Extra Supply of 30 Solids Filter Bags	800 POA
		POA

PREFIXES	DESCRIPTION	SIZE	LIST PRICE
Z1165*	Acid Resistant Coated Fabricated Steel	200	11,732.00
		300	13,174.00
		400	16,238.00
		500	21,430.00
		600	43,302.00
		700	48,804.00
		800	50,428.00
ZS1165	All Type 304 Fabricated Stainless Steel		POA
SUFFIXES		SIZE	ADD
-AL	Aluminum Cover	200-500	3,002.00
		600-800	POA
-E	Acid Resistant Coated interior and exterior fabricated steel extension section (specify 'C' dimension required) for recessed installation.		EA. ADDITIONAL 1" [25MM] OVER 6" [152MM] UP TO 6" [152MM]
		200	460.00 7,434.00
		300	524.00 7,535.00
		400	574.00 8,886.00
		500	666.00 9,606.00
		600	666.00 9,606.00
		700	666.00 9,606.00
800	666.00 9,606.00		

Size	Inlet/Outlet inch [mm]	Flow Rate gpm [LPM]	Capacity		Approximate Weight lb [kg]	Dimensions in inches [mm]				
			Water gallon [L]	Grease lb [kg]		C	D/E	F	G	H
200	3 [76]	7 [26]	16 [61]	14 [6]	136 [62]	15 [381]	11-3/4 [298]	29 [737]	17-1/4 [438]	17-1/4 [438]
300		10 [38]	21 [79]	20 [9]	169 [77]	17 [432]	12-7/16 [316]	31-1/4 [794]	19-7/8 [505]	19-7/8 [505]
400		15 [57]	30 [114]	30 [14]	204 [93]	18-3/4 [476]	14-3/16 [360]	33-1/8 [841]	22-1/2 [572]	22-1/2 [572]
500		20 [76]	40 [151]	40 [18]	239 [108]	21-1/2 [546]	16 [406]	35 [889]	24-1/2 [622]	
600		25 [95]	65 [246]	50 [23]	379 [172]	25-1/4 [641]	20 [508]	36 [914]	28-5/8 [727]	
700		35 [132]	110 [416]	70 [32]	476 [216]	28 [711]	23 [584]	42-3/4 [1086]	33-5/8 [854]	
800		50 [189]	150 [568]	100 [45]	823 [373]	30-1/8 [765]	24-1/2 [622]	47-1/2 [1207]	40 [1016]	

For additional product information, please visit www.zurn.com

*Regularly furnished unless otherwise specified.

Z1170 GREASE INTERCEPTOR



ENGINEERING SPECIFICATION

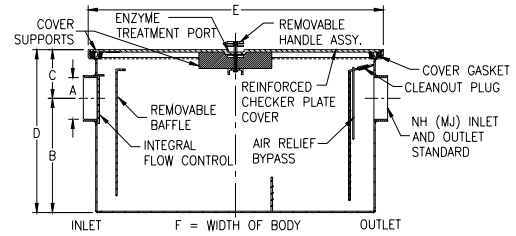
Zurn Z1170 grease interceptor features Dura-Coated interior and exterior fabricated steel grease interceptor, PDI rate at ___ GPM and ___ lbs. grease capacity, with internal air relief bypass, cleanout plug, and trap seal with removable combination pressure equalizing/flow diffusing baffle. Gasketed non-skid secured cover complete with integral flow control fitting.

NOTES

Location of outlet from bottom of interceptor cannot be changed.

CAUTION

Solids should not be permitted to enter a grease interceptor. Where solids are present, use a Zurn Z1183 or Z1183-DF solids interceptor (see pages 201 and 202). Installations using indirect piping to unit could result in standing water in floor sink or flooding if line blockage occurs. Interceptors must be maintained periodically in order to ensure proper operation of the system. Follow cleaning schedule based on usage.



PREFIXES	DESCRIPTION	SIZE	LIST PRICE
Z1170*	Dura-Coated Fabricated Steel*	100	1,833.00
		200	1,833.00
		300	2,013.00
		400	2,189.00
		500	2,760.00
		600	3,385.00
		700	3,968.00
		800	4,300.00
		900	6,812.00
ZS1170	All Type 304 Fabricated Stainless Steel with Aluminum Cover	100-900	POA
ZSS1170	All Type 304 Fabricated Stainless Steel with Stainless Steel Cover	100-900	POA
SUFFIXES		SIZE	ADD
-AL	Aluminum Cover	100-400	1,252.00
		500-800	1,635.00
-DI	Dual High/Low Inlet		249.00
-EP	Enzyme Port In Cover		56.00
-75	Sediment Bucket	#100-400	934.00
		#500-800	1,200.00
		EA. ADDITIONAL 1" [25MM] OVER 6" [152MM]	UP TO 6" [152MM]
-E	Acid Resistant Coated interior and exterior fabricated steel extension section (specify 'C' dimension required) for recessed installation.	100	89.00 1,111.00
		200	89.00 1,111.00
		300	89.00 923.00
		400	89.00 930.00
		500	117.00 1,010.00
		600	156.00 723.00
		700	208.00 1,120.00
		800	236.00 1,138.00
		900	269.00 1,292.00
		SIZE	ADD
-HD	Heavy duty traffic cover rated at 10,000 lbs. maximum safe live load. A 3" [76mm] minimum extension height is required when Heavy Duty Cover (-HD) option is specified.	100	1,587.00
		200	1,587.00
		300	1,775.00
		400	1,963.00
		500	1,963.00
		600	1,963.00
		700	2,803.00
		800	2,803.00
		900	3,791.00

SUFFIXES		SIZE	ADD
-K	Anchor flange 1-3/4" [44mm] down from top and 2" [51mm] wide. A 3" [76mm] minimum extension height is required when anchor flange (-K) option is specified (specify 'C' dimension required).	100	-
		200	-
		300	916.00
		400	916.00
		500	916.00
		600	916.00
		700	916.00
		800	916.00
		900	916.00
-KC	Anchor flange 1-3/4" [44mm] down from top and 2" [51mm] wide with clamp collar. A 3" [76mm] minimum extension height is required when anchor flange (-KC) option is specified.	100	-
		200	-
		300	1,127.00
		400	1,127.00
		500	1,127.00
		600	1,127.00
700	1,127.00		
800	1,127.00		
900	1,127.00		
-L	Angle type (Z1108-L) flow control device with plunger		324.00
-R	Acid resistant coated interior and exterior fabricated steel recessing receiver for recessed installation is equipped with adjustable support brackets and gasketed non-skid cover with removable lift handles.	100	POA
		200	POA
		300	POA
		400	POA
		500	POA
		600	POA
		700	POA
		800	POA
		900	POA
-RE	Acid resistant coated interior and exterior fabricated steel recessing receiver enclosed type for recessed installation. Furnished with adjustable support brackets and gasketed, non-skid, secured cover with removable lift handles.	100	POA
		200	POA
		300	POA
		400	POA
		500	POA
		600	POA
		700	POA
		800	POA
		900	POA
-T	Cover recessed for tile/terrazzo. A 3" [76mm] minimum extension height is required. (Specify 'C' dimension and required recess depth: 1/8" [3mm], 3/4" [19mm], or 1-1/4" [32mm].)	100	POA
		200	POA
		300	POA
		400	POA
		500	POA
		600	POA
		700	POA
		800	POA
		900	POA

*Regularly furnished unless otherwise specified.

For additional product information, please visit www.zurn.com

Z1170 GREASE INTERCEPTOR

Size	Inlet/Outlet inch [mm]	Flow Rate gpm [LPM]	Capacity		Approximate Weight lb [kg]	Dimensions in inches [mm]			
			Water gallon [L]	Grease lb [kg]		B	C	D	E
100	2 [51]	4 [15]	3 [11]	8 [4]	42 [19]	7-1/2 [191]	6 [152]	13-1/2 [343]	17-1/4 [438]
200		7 [26]	5 [19]	14 [6]	53 [24]	7-1/2 [191]	6 [152]	13-1/2 [343]	17-1/4 [438]
300		10 [38]	6 [23]	20 [9]	66 [30]	7-1/2 [191]	6 [152]	13-1/2 [343]	20-1/4 [514]
400		15 [57]	10 [38]	30 [14]	83 [38]	11-1/2 [292]	6 [152]	17-1/2 [445]	20-1/4 [514]
500	3 [76]	20 [76]	16 [61]	40 [18]	99 [45]	13-1/2 [343]	6 [152]	19-1/2 [495]	20-1/4 [514]
600		25 [95]	21 [79]	50 [23]	124 [56]	15-1/2 [394]	6 [152]	21-1/2 [546]	20-1/4 [514]
700	4 [102]	35 [132]	30 [114]	70 [32]	151 [68]	13-1/2 [343]	6 [152]	19-1/2 [495]	32-1/4 [819]
800		50 [189]	40 [151]	100 [45]	180 [82]	17-1/2 [445]	6 [152]	23-1/2 [597]	32-1/4 [819]

Z1170-UN GREASE INTERCEPTOR WITH USER NOTIFICATION SYSTEM



ENGINEERING SPECIFICATION

Zurn Z1170-UN Grease Interceptor features a Dura-Coated interior and exterior fabricated steel grease interceptor, rated at ___ GPM and ___ Lbs. grease capacity, with internal air relief by-pass, bronze cleanout plug, removable pressure equalizing/flow diffusing inlet baffle, fixed bottom outlet baffle, and visible double wall trap seal. Gasketed non-skid secured cover complete with center tie down assembly. Includes encased fiberglass sensor box (Z1194) containing an electronic grease level sensor, and a fiberglass display box with green power light, red grease level light, audio alarm, and junction box. Regularly furnished with a high inlet and outlet connection.

NOTES

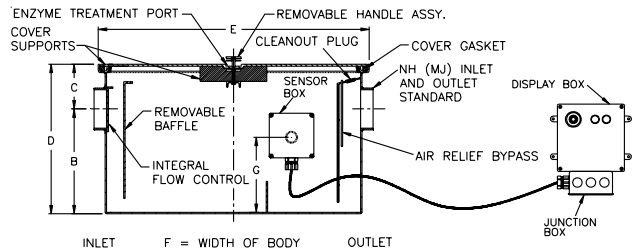
1. Location of outlet from bottom of interceptor cannot be changed.
2. Factory installed sensor box is mounted on the left- or right-hand side of the unit when facing inlet (must be specified).
3. Power supply 120V GFCI.

RECOMMENDED INSTALLATIONS

Sitting on the floor or recessed in a pit only. (A pit installation requires that a drain or sump pump be installed to keep the pit relatively dry.)

CAUTION

Solids should not be permitted to enter a grease interceptor. Where solids are present, use a Zurn Z1183 or Z1183-DF solids interceptor (see pages 201 and 202). Installations using indirect piping to unit could result in standing water in floor sink or flooding if line blockage occurs. Interceptors must be maintained periodically in order to ensure proper operation of the system. Follow cleaning schedule based on usage.



PREFIXES	DESCRIPTION	SIZE	LIST PRICE
Z1170-UN*	Dura-Coated Fabricated Steel*	400	6,758.00
		500	7,340.00
		600	7,977.00
		700	8,568.00
		800	8,916.00
		900	10,124.00
ZS1170-UN	All Type 304 Fabricated Stainless Steel with Aluminum Cover	100-900	POA
ZSS1170-UN	All Type 304 Fabricated Stainless Steel with Stainless Steel Cover	100-900	POA
SUFFIXES	DESCRIPTION	SIZE	ADD
-AL	Aluminum Cover	100-400	1,252.00
		500-800	1,635.00
-L	Angle Type (Z1108-L) Flow Control Device with Plunger		324.00

Size	Inlet/Outlet inch [mm]	Flow Rate gpm [LPM]	Capacity		Approximate Weight lb [kg]	Dimensions in inches [mm]				
			Water gallon [L]	Grease lb [kg]		B	C	D	E	F
400	2 [51]	15 [57]	10 [38]	30 [14]	89 [40]	11-1/2 [292]	6 [152]	17-1/2 [445]	20-1/4 [514]	16-1/4 [413]
500	3 [76]	20 [76]	16 [61]	40 [18]	110 [50]	13-1/2 [343]	6 [152]	19-1/2 [495]	20-1/4 [514]	19-1/4 [489]
600		25 [95]	23 [87]	50 [23]	117 [53]	15-1/2 [394]	6 [152]	21-1/2 [546]	20-1/4 [514]	19-1/4 [489]
700	4 [102]	35 [132]	30 [114]	70 [32]	172 [78]	13-1/2 [343]	6 [152]	19-1/2 [495]	32-1/4 [819]	24-1/4 [616]
800		50 [189]	40 [151]	100 [45]	194 [88]	17-1/2 [445]	6 [152]	23-1/2 [597]	32-1/4 [819]	24-1/4 [616]

Z1171 LOW PROFILE GREASE INTERCEPTOR

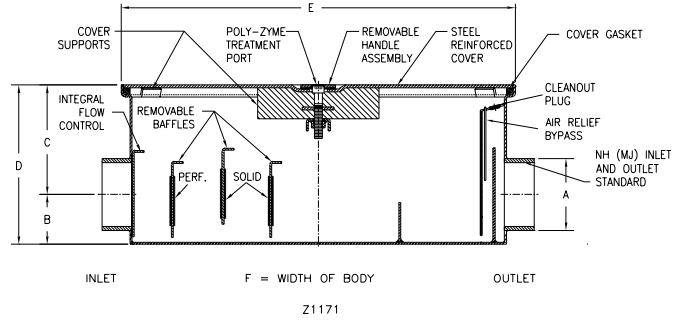


ENGINEERING SPECIFICATION

Zurn Z1171 low profile grease interceptor features a Dura-Coated interior and exterior fabricated steel low type grease interceptor, PDI rated at ___ GPM and ___ lbs. grease capacity with internal air relief by-pass, bronze cleanout plug, and trap seal with removable combination pressure equalizing/flow diffusing baffles. Gasketed secured cover, complete with integral flow control fitting.

CAUTION

Solids should not be permitted to enter a grease interceptor. Where solids are present, use a Zurn Z1183 or Z1183-DF solids interceptor (see pages 201 and 202). Installations using indirect piping to unit could result in standing water in floor sink or flooding if line blockage occurs. Interceptors must be maintained periodically in order to ensure proper operation of the system. Follow cleaning schedule based on usage.



PREFIXES	DESCRIPTION	SIZE	LIST PRICE
Z1171*	Dura-Coated Fabricated Steel*	500	4,188.00
		700	4,727.00
		800	6,143.00
ZS1171	All Type 304 Fabricated Stainless Steel with Aluminum Cover		POA
ZS1171	All Type 304 Fabricated Stainless Steel with Stainless Steel Cover		POA
SUFFIXES	DESCRIPTION		ADD
-DI	Dual Inlet		249.00
-EP	Enzyme Port in Cover		324.00
-L	Angle Type (Z1108-L) Flow Control Device with Plunger		63.00

Size	Inlet/Outlet inch [mm]	Flow Rate gpm [LPM]	Capacity		Approximate Weight lb [kg]	Dimensions in inches [mm]				
			Water gallon [L]	Grease lb [kg]		B	C	D	E	F
500	3 [76]	20 [76]	15 [57]	40 [18]	93 [42]	3-1/8 [79]	6-7/8 [175]	10-1/8 [257]	31-3/8 [797]	21-1/2 [546]
700	4 [102]	35 [132]	30 [114]	70 [32]	147 [67]	3-3/8 [86]	7-1/2 [191]	10-7/8 [276]	42-5/8 [1083]	28-7/8 [733]
800		50 [189]	45 [170]	100 [45]	250 [113]				46-5/8 [1184]	

*Regularly furnished unless otherwise specified.

For additional product information, please visit www.zurn.com

INTRO
ROOF DRAINS
FLOOR DRAINS
T, P, BW VALVES
INTERCEPTORS
CARRIERS
HYDRANTS
CLEANOUTS
WHA
SS DRAINS
FAB SS DRAINS
SANI-FLOOR
TECH INFO

Z1171-TD LOW PROFILE GREASE INTERCEPTOR WITH ACCUMULATING CONE AND FLOW CONTROL TEE

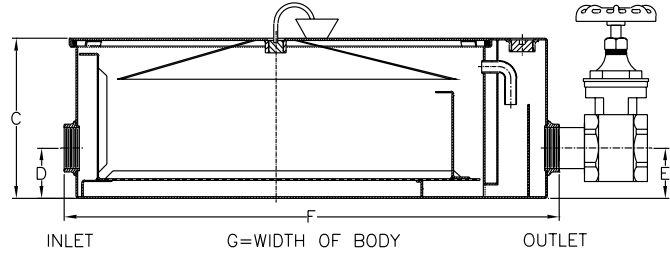


ENGINEERING SPECIFICATION

Zurn Z1171-TD low profile grease interceptor features an Acid Resistant Coated interior and exterior fabricated steel low type grease interceptor, PDI rated at ___ GPM and ___ lbs. grease capacity with internal air relief by-pass, bronze cleanout plug and visible double wall trap seal with removable combination pressure equalizing/ flow diffusing baffle and sediment tray. Gasketed non-skid secured cover with draw-off port having bronze plug, grease accumulating cone, NPT to hose adapter, 2-foot [61cm] flexible hose, hose clamp, and in-line closure valve, complete with Z1108 flow control fitting. Regularly furnished with 3" [76mm] low inlet and outlet.

CAUTION

Solids should not be permitted to enter a grease interceptor. Where solids are present, use a Zurn Z1183 or Z1183-DF solids interceptor (see pages 201 and 202). Installations using indirect piping to unit could result in standing water in floor sink or flooding if line blockage occurs. Interceptors must be maintained periodically in order to ensure proper operation of the system. Follow cleaning schedule based on usage.



PREFIXES	DESCRIPTION	SIZE	LIST PRICE
Z1171-TD*	Acid Resistant Coated Fabricated Steel*	500	7,312.00
		700	8,430.00
		800	9,270.00
SUFFIXES	DESCRIPTION	ADD	
-L	Angle Type (Z1108-L) Flow Control Device with Plunger	N/C	
-PW	Plug Wrench	98.00	

Size	Inlet/Outlet inch [mm]	Flow Rate gpm [LPM]	Capacity		Approximate Weight lb [kg]	Dimensions in inches [mm]				
			Water gallon [L]	Grease lb [kg]		C	D/E	F	G	H
500	3 [76]	20 [76]	15 [57]	40 [18]	102 [46]	10 [254]	3-1/8 [79]	31 [787]	21-1/8 [537]	6-3/4 [171]
700		35 [132]	30 [114]	70 [32]	172 [78]	10-3/4 [273]		42-1/8 [1070]	29-3/8 [746]	7 [178]
800		50 [189]	45 [170]	100 [45]	210 [95]	16 [406]	10 [254]	49-1/2 [1257]		10 [254]

Z1172 LARGE CAPACITY GREASE INTERCEPTOR

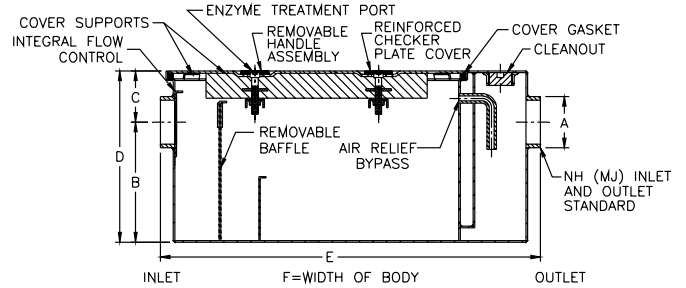


ENGINEERING SPECIFICATION

Zurn Z1172 large capacity grease interceptor features a Dura-Coated interior and exterior fabricated steel grease interceptor, rated at ___ GPM and ___ lbs. grease capacity, with internal air relief by-pass, cleanout plug, and visible double wall trap seal with removable pressure equalizing/flow diffusing baffle. Gasketed non-skid secured cover and bronze cleanout plug complete with flow control fitting.

CAUTION

Solids should not be permitted to enter a grease interceptor. Where solids are present, use a Zurn Z1183 or Z1183-DF solids interceptor (see pages 201 and 202). Installations using indirect piping to unit could result in standing water in floor sink or flooding if line blockage occurs. Interceptors must be maintained periodically in order to ensure proper operation of the system. Follow cleaning schedule based on usage.



PREFIXES	DESCRIPTION	SIZE	LIST PRICE	
Z1172*	Acid Resistant Coated Fabricated Steel*	1000	9,711.00	
		1100	11,914.00	
		1200	13,044.00	
		1300	15,671.00	
		1400	18,109.00	
		1500	20,522.00	
		1600	26,175.00	
		1700	29,147.00	
		1800	29,147.00	
		1900	34,562.00	
ZS1172	All Type 304 Fabricated Stainless Steel with Aluminum Cover	1000-1900	POA	
ZSS1172	All Type 304 Fabricated Stainless Steel with Stainless Steel Cover	1000-1900	POA	
SUFFIXES	DESCRIPTION	ADD		
-CC	8" [203mm] Diameter Cleanout Cover	852.00		
-DI	Dual Inlet	248.00		
	SIZE	EA. ADDITIONAL 1" OVER 10"	UP TO 10"	
-E	Acid-resistant coated exterior fabricated steel extension section (specify 'C' Dim. Required for recessed installation)	1000	302.00	1,149.00
		1100	326.00	1,154.00
		1200	353.00	1,154.00
		1300	387.00	1,371.00
		1400	449.00	1,372.00
		1500	482.00	1,372.00
		1600	500.00	1,372.00
		1700	538.00	1,372.00
		1800	538.00	1,372.00
		1900	716.00	1,763.00

SUFFIXES	DESCRIPTION	SIZE	ADD
-HD	Heavy-duty traffic cover rated at 10,000 lbs. [4536 kg] maximum safe live load	1000	4,947.00
		1100	4,947.00
		1200	5,042.00
		1300	5,414.00
		1400	5,528.00
		1500	5,788.00
		1600	6,349.00
		1700	6,722.00
		1800	6,722.00
		1900	7,001.00
-K	Anchor flange 1-3/4" [44mm] down from top and 2" [51mm] wide. No extension required to accommodate -K option	1000	1,134.00
		1100	1,134.00
		1200	1,134.00
		1300	1,134.00
		1400	1,134.00
		1500	1,134.00
		1600	1,134.00
		1700	1,134.00
-KC	Anchor flange 1-3/4" [44mm] down from top and 2" [51mm] wide with clamp collar. No extension required to accommodate -KC option	1000	1,373.00
		1100	1,373.00
		1200	1,373.00
		1300	1,373.00
		1400	1,373.00
		1500	1,373.00
		1600	1,373.00
		1700	1,373.00
-L	Angle type (Z1108-L) flow control device with plunger	1800	1,373.00
		1900	1,373.00
-L	Angle type (Z1108-L) flow control device with plunger		324.00

Size	Inlet/Outlet inch [mm]	Flow Rate gpm [LPM]	Capacity		No. of Covers	Approximate Weight lb [kg]	Dimensions in inches [mm]				
			Water gallon [L]	Grease lb [kg]			B	C	D	E	
1000	4 [102]	100 [379]	110 [416]	200 [91]	1	289 [131]	23 [584]	4 [102]	27 [686]	41-3/4 [1060]	
1100		125 [473]	150 [568]	250 [113]		536 [243]	24-1/2 [622]	5-5/8 [143]	30-1/8 [765]	48-1/4 [1226]	
1200		150 [568]	195 [738]	300 [136]		616 [279]	25-1/4 [641]	5-1/2 [140]	30-3/4 [781]	55 [1397]	
1300		200 [757]	270 [1022]	400 [1881]		738 [335]	29-7/8 [759]	5-5/8 [143]	35-1/2 [902]	60 [1524]	
1400		250 [946]	465 [1760]	500 [227]		924 [419]	36 [914]	5 [127]	41 [1041]	70 [1778]	
1500	6 [152]	300 [1136]	665 [2517]	600 [272]	2	1700 [771]	39-5/8 [1006]	6-5/8 [168]	46-1/4 [1175]	79 [2007]	
1600		350 [1325]	865 [3274]	700 [318]		1890 [857]	43-7/8 [1114]		50-1/2 [1283]	86 [2184]	
1700		400 [1514]	1095 [4145]	800 [363]		2150 [975]	47-5/8 [1210]		54-1/4 [1378]	93 [2362]	
1800		450 [1703]	1280 [4845]	900 [408]		2300 [1043]	48-5/8 [1235]		55-1/4 [1403]	99 [2515]	
1900		500 [1893]	1440 [5451]	1000 [454]		2400 [1089]	51-5/8 [1311]		5-5/8 [143]	57-1/4 [1454]	103 [2616]

*Regularly furnished unless otherwise specified.

For additional product information, please visit www.zurn.com

INTRO
ROOF DRAINS
FLOOR DRAINS
I, P, BW VALVES
INTERCEPTORS
CARRIERS
HYDRANTS
CLEANOUTS
WHA
SS DRAINS
FAB SS DRAINS
SANI-FLOOR
TECH INFO

Z1172-UN LARGE CAPACITY GREASE INTERCEPTOR WITH USER NOTIFICATION SYSTEM



ENGINEERING SPECIFICATION

Zurn Z1172-UN large capacity grease interceptor features a Large Capacity Acid Resistant Coated interior and exterior fabricated steel grease interceptor, rated at ___ GPM and ___ lbs. grease capacity, with internal air relief by-pass, bronze cleanout plug and visible double wall trap seal with removable pressure equalizing/flow diffusing inlet baffle. Gasketed non-skid secured cover with covered recessed lift handles complete with flow control fitting. Includes encased fiberglass sensor box (Z1194) containing an electronic grease level sensor (specify right or left side**), a fiberglass display box with one green power light, one yellow and red dual oil level lights, audio alarm, and junction box. Regularly furnished with inlet and outlet in high position.

NOTES

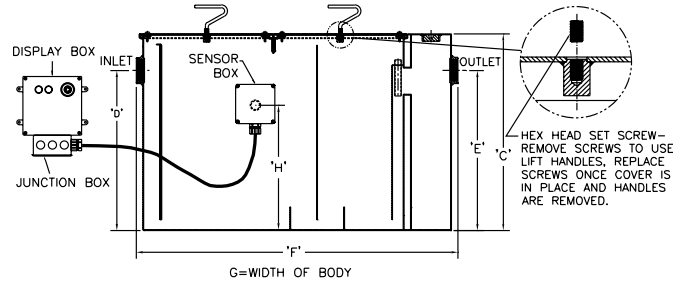
1. Location of inlet/outlet from bottom of interceptor cannot be changed. Power supply 120V GFCI.
2. *Sensor box is mounted on the left- or right-hand side of the unit when facing inlet (must be specified).
3. Sizes 900 and 1000 require one cover.
4. Sizes 1100 and 1600 require two covers.
5. Sizes 1700 thru 1900 require three covers.

RECOMMENDED INSTALLATIONS

Sitting on the floor or recessed in a pit only. (A pit installation requires that a drain or sump pump be installed to keep the pit relatively dry.)

CAUTION

Solids should not be permitted to enter a grease interceptor. Where solids are present, use a Zurn Z1183 or Z1183-DF solids interceptor (see pages 201 and 202). Installations using indirect piping to unit could result in standing water in floor sink or flooding if line blockage occurs. Interceptors must be maintained periodically in order to ensure proper operation of the system. Follow cleaning schedule based on usage.



PREFIXES	DESCRIPTION	SIZE	LIST PRICE
Z1172-UN*	Dura-Coated Coated Fabricated Steel	1000	POA
		1100	POA
		1200	POA
		1300	POA
		1400	POA
		1500	POA
		1600	POA
		1700	POA
		1800	POA
1900	POA		
ZS1172-UN	All Type 304 Fabricated Stainless Steel with Aluminum Cover	1000-1900	POA
ZSS1172-UN	All Type 304 Fabricated Stainless Steel with Stainless Steel Cover	1000-1900	POA
SUFFIXES	DESCRIPTION	ADD	
-AL	Aluminum Cover	POA	
-L	Angle type (Z1108-L) flow control device with plunger	N/C	

Size	Inlet/Outlet inch [mm]	Flow Rate gpm [LPM]	Capacity		Approximate Weight lb [kg]	Dimensions in inches [mm]					
			Water gallon [L]	Grease lb [kg]		B	C	D	E	F	
1000	4 [102]	100 [379]	110 [416]	200 [91]	289 [131]	23 [584]	4 [102]	27 [686]	41-3/4 [1060]	33-5/8 [854]	
1100		125 [473]	150 [568]	250 [113]	536 [243]	24-1/2 [622]	5-5/8 [143]	30-1/8 [765]	48-1/4 [1226]	40 [1016]	
1200		150 [568]	195 [738]	300 [136]	616 [279]	25-1/4 [641]	5-1/2 [140]	30-3/4 [781]	55 [1397]	41-5/8 [1057]	
1300		200 [757]	270 [1022]	400 [181]	738 [335]	29-7/8 [759]	5-5/8 [143]	35-1/2 [902]	60 [1524]	43-5/8 [1108]	
1400	6 [152]	250 [946]	465 [1760]	500 [227]	924 [419]	36 [914]	5 [127]	41 [1041]	70 [1778]	51-5/8 [1311]	
1500		300 [1136]	665 [2517]	600 [272]	1700 [771]	69-5/8 [1006]	6-5/8 [168]	46-1/4 [1175]	79 [2007]	58-5/8 [1489]	
1600		350 [1325]	865 [3274]	700 [318]	1890 [857]	43-7/8 [1114]		50-1/2 [1283]	86 [2184]	63-5/8 [1616]	
1700		400 [1514]	1095 [4145]	800 [363]	2150 [975]	47-5/8 [1210]		54-1/4 [1378]	93 [2362]	70-1/4 [1784]	
1800		450 [1703]	1280 [4845]	900 [408]	2300 [1043]	48-5/8 [1235]		55-1/4 [1403]	99 [2515]	75-1/4 [1911]	
1900		500 [1893]	1440 [5451]	1000 [454]	2400 [1089]	51-5/8 [1311]		5-5/8 [143]	57-1/4 [1454]	103 [2616]	77-1/4 [1962]

Z1173 EJECTO-MATIC GREASE INTERCEPTOR



ENGINEERING SPECIFICATION

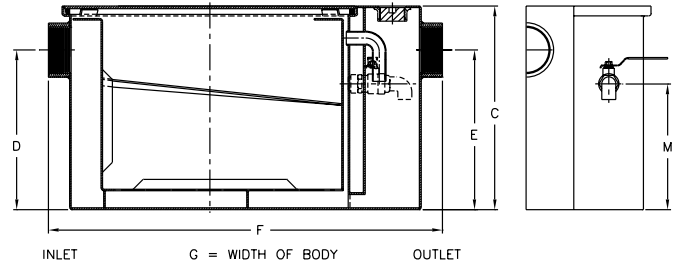
Zurn Z1173 ejecto-matic grease interceptor features acid resistant coated interior and fabricated steel exterior, PDI rated at ___gpm and ___lb grease capacity, internal air relief bypass, bronze cleanout plug, and visible double wall trap seal with removable combination pressure equalizing/flow-diffusing baffle and sediment tray and grease retention tray adjacent to grease draw-off valve. Gasketed, non-skid, secured cover comes complete with Z1108 flow control fitting. Regularly furnished with high inlet and outlet connection.

NOTES

1. Location of outlet from bottom of interceptor cannot be changed. Draw-off connection regularly furnished on outlet side.
2. On sizes #200 and #300, the grease draw-off valve is located on the left-hand side of the trap when facing the inlet, instead of on the outlet side as shown.

CAUTION

Solids should not be permitted to enter a grease interceptor. Where solids are present, use a Zurn Z1183 or Z1183-DF solids interceptor (see pages 201 and 202). Installations using indirect piping to unit could result in standing water in floor sink or flooding if line blockage occurs. Interceptors must be maintained periodically in order to ensure proper operation of the system. Follow cleaning schedule based on usage.



PREFIXES	DESCRIPTION	SIZE	LIST PRICE
Z1173*	Acid Resistant Coated Fabricated Steel	200	4,195.00
		300	4,519.00
		400	4,841.00
		500	5,165.00
		600	5,869.00
		700	7,100.00
		800	7,934.00
		900	13,555.00
ZS1173	All Type 304 Fabricated Stainless Steel		POA
SUFFIXES	DESCRIPTION	SIZE	ADD
-L	Angle type (Z1108-L) flow control device with plunger		324.00
-PW	Plug Wrench		98.00
-R	Acid Resistant Coated interior and exterior fabricated steel recessing receiver for recessed installation. Furnished with adjustable support brackets and gasketed, non-skid, secured cover with removable lift handles.	200	POA
		300	POA
		400	POA
		500	POA
		600	POA
		700	POA
		800	POA
	900	POA	
-RE	Acid Resistant Coated interior and exterior fabricated steel recessing receiver enclosed type for recessed installation. Furnished with adjustable support brackets and gasketed, non-skid, secured cover with removable lift handles.	200	POA
		300	POA
		400	POA
		500	POA
		600	POA
		700	POA
		800	POA
	900	POA	

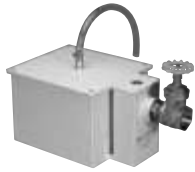
Size	Inlet/Outlet inch [mm]	Flow Rate gpm [LPM]	Capacity		Approximate Weight lb [kg]	Dimensions in inches [mm]				
			Water gallon [L]	Grease lb [kg]		C	D/E	F	G	M C/L Valve
200	2 [51]	7 [26]	5 [19]	14 [6]	56 [25]	11-1/4 [286]	8-1/8 [206]	21-3/4 [552]	11-7/8 [302]	6-1/8 [156]
300		10 [38]	6 [23]	20 [9]	70 [32]	11-3/4 [298]	8-1/4 [210]	25-1/8 [638]	14 [356]	5-3/4 [146]
400	3 [76]	15 [57]	10 [38]	30 [14]	87 [39]	13-3/8 [340]	9-3/8 [238]	27-1/8 [689]	16-3/4 [425]	6-7/8 [175]
500		20 [76]	16 [61]	40 [18]	104 [47]	15 [381]	11-3/4 [298]	30 [762]	17-1/4 [438]	9-1/4 [235]
600		25 [95]	21 [79]	50 [23]	129 [59]	17 [432]	12-1/2 [318]	32-1/4 [819]	19-7/8 [505]	9-1/2 [241]
700		35 [132]	30 [114]	70 [32]	156 [71]	18-3/4 [476]	14-1/4 [362]	34-1/8 [867]	22-1/2 [572]	11-1/4 [286]
800		50 [189]	40 [151]	100 [45]	186 [84]	21-1/2 [546]	16 [406]	36 [914]	24-1/2 [622]	13 [330]
900		75 [284]	65 [246]	150 [68]	316 [143]	22-3/4 [578]	18-1/2 [470]		28-5/8 [727]	15-1/2 [394]

*Regularly furnished unless otherwise specified.

For additional product information, please visit www.zurn.com

INTRO ROOF DRAINS FLOOR DRAINS T, P, BW VALVES INTERCEPTORS CARRIERS HYDRANTS CLEANOUTS W/HA SS DRAINS FAB SS DRAINS SAN-FLOOR TECH INFO

Z1173-TD EJECTO-MATIC GREASE INTERCEPTOR WITH GREASE ACCUMULATING CONE AND IN-LINE SHUTOFF VALVE



ENGINEERING SPECIFICATION

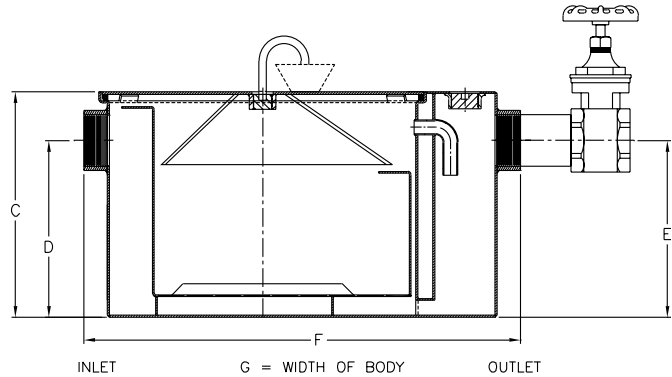
Zurn Z1173-TD ejecto-matic grease interceptor features acid resistant coated interior and fabricated steel exterior, PDI rated at ___gpm and ___lb grease capacity, internal air relief bypass, bronze cleanout plug, and visible double wall trap seal with removable combination pressure equalizing/flow-diffusing baffle and sediment tray. Gasketed, non-skid, secured cover comes complete with draw-off port having a bronze plug, grease accumulating cone, NPT to hose adapter, 2-foot flexible hose, hose clamp, in-line closure valve, and Z1108 flow control fitting. Regularly furnished with high inlet and outlet connection.

NOTES

Location of outlet from bottom of interceptor cannot be changed.

CAUTION

Solids should not be permitted to enter a grease interceptor. Where solids are present, use a Zurn Z1183 or Z1183-DF solids interceptor (see pages 201 and 202). Installations using indirect piping to unit could result in standing water in floor sink or flooding if line blockage occurs. Interceptors must be maintained periodically in order to ensure proper operation of the system. Follow cleaning schedule based on usage.

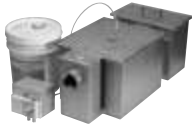


PREFIXES	DESCRIPTION	SIZE	LIST PRICE
Z1173-TD*	Acid Resistant Coated Fabricated Steel	200	4,989.00
		300	5,176.00
		400	5,353.00
		500	7,098.00
		600	6,572.00
		700	7,164.00
		800	7,510.00
		900	10,059.00

SUFFIXES	DESCRIPTION	SIZE	ADD
-L	Angle type (Z1108-L) flow control device with plunger		324.00
-PW	Plug Wrench		98.00
-R	Acid Resistant Coated interior and exterior fabricated steel recessing receiver for recessed installation. Furnished with adjustable support brackets and gasketed, non-skid, secured cover with removable lift handles.	200	POA
		300	POA
		400	POA
		500	POA
		600	POA
		700	POA
		800	POA
900	POA		
-RE	Acid Resistant Coated interior and exterior fabricated steel recessing receiver enclosed type for recessed installation. Furnished with adjustable support brackets and gasketed, non-skid, secured cover with movable lift handles.	200	POA
		300	POA
		400	POA
		500	POA
		600	POA
		700	POA
		800	POA
900	POA		

Size	Inlet/Outlet inch [mm]	Flow Rate gpm [LPM]	Capacity		Approximate Weight lb [kg]	Dimensions in inches [mm]			
			Water gallon [L]	Grease lb [kg]		C	D/E	F	G
200	2 [51]	7 [26]	5 [19]	14 [6]	56 [25]	11-1/4 [286]	8-1/8 [206]	21-3/4 [552]	11-7/8 [302]
300		10 [38]	6 [23]	20 [9]	70 [32]	11-3/4 [298]	8-1/4 [210]	25-1/8 [638]	14 [356]
400	3 [76]	15 [57]	10 [38]	30 [14]	87 [39]	13-3/8 [340]	9-3/8 [238]	27-1/8 [689]	16-3/4 [425]
500		20 [76]	16 [61]	40 [18]	104 [47]	15 [381]	11-3/4 [298]	30 [762]	17-1/4 [438]
600		25 [95]	21 [79]	50 [23]	129 [59]	17 [432]	12-1/2 [318]	32-1/4 [819]	19-7/8 [505]
700		35 [132]	30 [114]	70 [32]	156 [71]	18-3/4 [476]	14-1/4 [362]	34-1/8 [867]	22-1/2 [572]
800		50 [189]	40 [151]	100 [45]	186 [84]	21-1/2 [546]	16 [406]	36 [914]	24-1/2 [622]
900		75 [284]	65 [246]	150 [68]	316 [143]	22-3/4 [578]	18-1/2 [470]		28-5/8 [727]

Z1174 GREASE EATING BACTERIA DOSING UNIT AND SOLIDS INTERCEPTOR COMBINATION



ZS1174 Shown. Z is Standard.

ENGINEERING SPECIFICATION

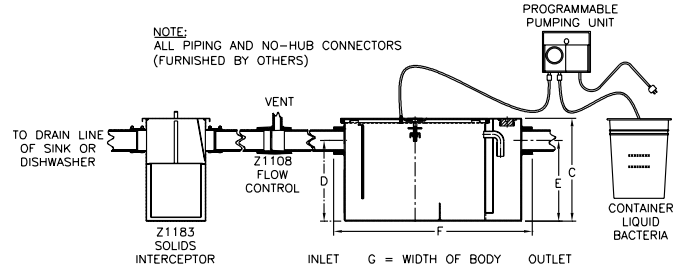
Zurn Z1174 grease interceptor with automatic bacteria dosing unit features acid resistant coated interior and exterior fabricated steel exterior, rated at _____ gpm and _____ lb grease capacity, internal air relief bypass, bronze cleanout plug, and visible double wall trap seal with removable pressure equalizing/flow-diffusing inlet baffle and fixed bottom outlet baffle. Gasketed, non-skid, secured cover comes complete with center tie down assembly and Z1108 flow control fitting. Furnished with Z1183 ARC solids interceptor, 110 VAC pump, pump mounting hardware, 15 feet of poly tubing and 5 gallons of grease-eating bacteria. Regularly furnished with inlet and outlet in high position.

NOTES

Location of outlet from bottom for interceptor cannot be changed.

CAUTION

Interceptors must be maintained periodically in order to ensure proper operation of the system. Follow cleaning schedule based on usage.



PREFIXES	DESCRIPTION	SIZE	LIST PRICE
Z1174*	Acid Resistant Coated Fabricated Steel	100	7,791.00
		200	8,174.00
		300	8,642.00
		400	8,908.00
		500	9,782.00
		600	10,995.00
		700	12,239.00
		800	13,034.00
ZS1174	All Type 304 Fabricated Stainless Steel	100	POA
		200	POA
		300	POA
		400	POA
		500	POA
		600	POA
		700	POA
		800	POA

SUFFIXES	DESCRIPTION	ADD
-CS	Custom screens (for Z1183) Specify material and perforation size required.	POA
-LS	Less Solids Interceptor	POA
-P	Pump only, 110 VAC	1,920.00
-PW	Plug Wrench	98.00
-RK	Retrofit kit, pump and bacteria (5-gal.) only	3,587.00
-YR	Replacement stainless steel basket assembly	-
-1	One-gallon grease eating bacteria only	77.00
-5	Five-gallon grease eating bacteria only	-

Size	Inlet/Outlet inch [mm]	Flow Rate gpm [LPM]	Capacity		Approximate Weight lb [kg]	Dimensions in inches [mm]			
			Water gallon [L]	Grease lb [kg]		C	D/E	F	G
100	2 [51]	4 [15]	3 [11]	8 [4]	60 [27]	10 [254]	7-1/4 [184]	20-3/8 [518]	9-7/8 [251]
200		7 [26]	5 [19]	14 [6]	76 [34]	11-1/4 [286]	8-1/8 [206]	21-3/4 [552]	11-7/8 [302]
300	3 [76]	10 [38]	6 [23]	20 [9]	93 [42]	11-3/4 [298]	8-1/4 [210]	25-1/8 [638]	14 [356]
400		15 [57]	10 [38]	30 [14]	116 [53]	13-3/8 [340]	9-3/8 [238]	27-1/8 [689]	16-3/4 [425]
500		20 [76]	16 [61]	40 [18]	136 [62]	15 [381]	11-3/4 [298]	30 [762]	17-1/4 [438]
600		25 [95]	21 [79]	50 [23]	169 [77]	17 [432]	12-1/2 [318]	32-1/4 [819]	19-7/8 [505]
700		35 [132]	30 [114]	70 [32]	209 [95]	18-3/4 [476]	14-1/4 [362]	34-1/8 [867]	22-1/2 [572]
800		50 [189]	40 [151]	100 [45]	239 [108]	21-1/2 [546]	16 [406]	36 [914]	24-1/2 [622]

*Regularly furnished unless otherwise specified.

For additional product information, please visit www.zurn.com

INTRO
ROOF DRAINS
FLOOR DRAINS
T, P, BW VALVES
INTERCEPTORS
CARRIERS
HYDRANTS
CLEANOUTS
W/HA
SS DRAINS
FAB SS DRAINS
SANI-FLO
TECH INFO

SOLIDS INTERCEPTORS – GENERAL PRODUCT INFORMATION

Zurn solids interceptors are specifically designed to capture and retain solid particles for a variety of different drain line applications. Units are available in Dura-Coated cast iron, bronze, Acid Resistant Coated steel and stainless steel, along with a multitude of screens designed for each application. If you require a solids interceptor not listed, phone 855-ONE-ZURN, or contact your local Zurn sales representative. Special screens and sizes are available to meet almost any need.

SOLIDS INTERCEPTORS – APPLICATION INDEX

Product selection should be made with a specific application and the type of construction in mind. The varied types and sizes of Zurn interceptors, along with their options, offer a selection for all applications.

APPLICATION	RECOMMENDED INTERCEPTOR
Food Preparation	Z1181, Z1182, Z1183, Z1183-DF, Z1183-FC
Hair Salons	Z1175, Z1176, Z1180, Z1184
Plaster	Z1180, Z1181
Barium	Z1180
Fish Scales	Z1181, Z1183, Z1183-FC, Z1185
Garbage Disposal	Z1181, Z1182, Z1183, Z1183-DF, Z1183-FC
Laundry, Clothes Washers	Z1185
With Z1170 and Z1173 Interceptors	Z1181, Z1182, Z1183, Z1183-DF, Z1183-FC

SOLIDS INTERCEPTORS – SIZING

All Zurn solids interceptors are designed for gravity flow where minimal head is expected. Zurn solids interceptors are designed to accommodate the flow rate of their inlet and outlet pipe size, provided they are maintained and kept clean.

Zurn solids interceptors should be sized by both expected flow rate and holding capacity. Z1185 lint interceptors must, however, be sized for the number of washing machines which they serve. Sizing for the Z1181 solids interceptor should be sized by the number and size of the sinks being served as is the case with the Z1170 grease interceptor.

Fixture Compartment Size (Inches)	Number of Compartments	Drainage Load (Gallons)	Recommended Size Solids interceptors	
			One-minute Drainage Period	Two-minute Drainage Period
18 x 12 x 6	1	4.2	7	4
16 x 14 x 8	1	5.8	7	4
20 x 18 x 8	1	9.4	10	7
18 x 16 x 8	2	15.0	15	10
20 x 18 x 8	2	18.7	20	10
30 x 20 x 8	1	15.5	20	10
24 x 20 x 12	1	18.7	20	10
22 x 20 x 8	2	23.0	25	15
22 x 20 x 12	2	34.0	35	20
24 x 24 x 12	2	44.9	50	25

Z1175 HAIR INTERCEPTOR

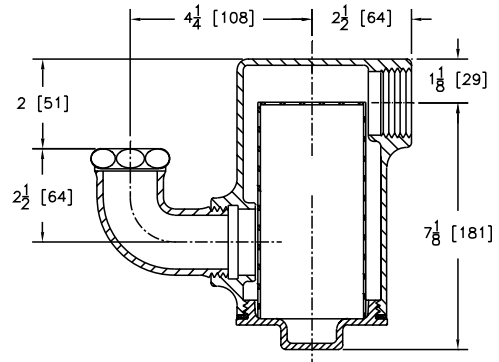


ENGINEERING SPECIFICATION

Zurn Z1175 Dura-Coated cast iron hair and solids interceptor, in lieu of fixture "P" trap, with 1-1/2" [38mm] slip joint elbow inlet and 1-1/2" [38mm] threaded side outlet, perforated stainless steel basket, removable from bottom, with flanged and gasketed, slotted cleanout cover with raised head. Perforation size is 1/8" [3mm].

CAUTION

Interceptors must be maintained periodically in order to ensure proper operation of the system. Follow cleaning schedule based on usage.



Inlet/Outlet inch [mm]	Approximate Weight lb [kg]
1-1/2 [38]	8 [4]

PREFIXES	DESCRIPTION	LIST PRICE
Z1175*	Standard Assembly (See Engineering Specification)	773.00
ZAB1175	All Satin Finish	1,420.00
SUFFIXES	DESCRIPTION	ADD
-CP	Chrome Plated Finish Interior and Exterior (ZAB Only)	478.00
-YR	Replacement Stainless Steel Basket	306.00

Z1176 HAIR INTERCEPTOR

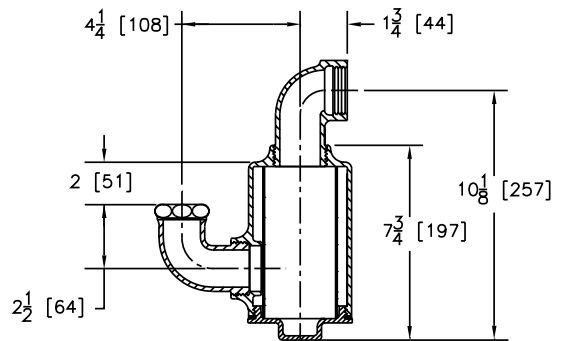


ENGINEERING SPECIFICATION

Zurn Z1176 hair and solids interceptor works in lieu of fixture "P" trap. Features Dura-Coated cast iron construction, 1-1/2" [38mm] slip joint elbow inlet and 1-1/2" [38mm] threaded swivel elbow top outlet, perforated stainless steel basket, removable from bottom, and flanged and gasketed cleanout cover with raised head. Perforation size is 1/8" [3mm].

CAUTION

Interceptors must be maintained periodically in order to ensure proper operation of the system. Follow cleaning schedule based on usage.



Inlet/Outlet inch [mm]	Approximate Weight lb [kg]
1-1/2 [38]	8 [4]

PREFIXES	DESCRIPTION	LIST PRICE
Z1176*	Standard Assembly (See Engineering Specification)	865.00
ZAB1176	All Satin Finish	1,587.00
SUFFIXES	DESCRIPTION	ADD
-CP	Chrome Plated Finish Interior and Exterior (ZAB Only)	532.00
-YR	Replacement Stainless Steel Basket	306.00

Z1180 SOLIDS INTERCEPTOR



ENGINEERING SPECIFICATION

Zurn Z1180 solids interceptor works in lieu of fixture "P" trap. Features acid resistant composite, on-floor installation, removable PVC sediment bucket with a removable 3/32" [2mm] diameter perforated flow defusing/intercepting PVC screen, top access, gasketed, secured cover, stainless steel draw latches and hardware with an ABS handle for easy removal of sediment bucket and screen.

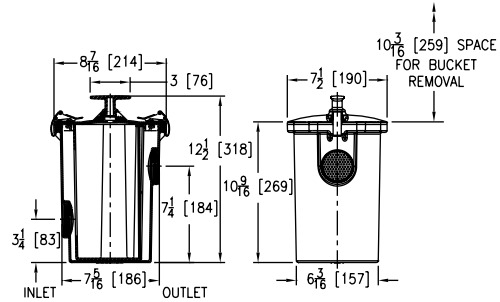
NOTES

*Regularly furnished with 2" [51mm] threaded low inlet and high outlet.

CAUTION

Interceptors must be maintained periodically in order to ensure proper operation of the system. Follow cleaning schedule based on usage.

Inlet/Outlet inch [mm]	Flow Rate gpm [LPM]	Approximate Weight lb [kg]
1-1/2 [38], 2 [51] [†]	15 [57]	6 [3]



PREFIXES	DESCRIPTION	LIST PRICE
Z1180*	Standard Assembly (See Engineering Specification)	932.00
ZA1180	Acid Resistant Coated Fabricated Steel (Design different than what is shown.)	1,536.00
ZSS1180	Stainless Steel	POA
SUFFIXES	DESCRIPTION	ADD
-CS	Custom Screens (Specify material and perforation size required.)	POA
-RS	Replacement 3/32" [2mm] Diameter Perforated Screen for Bucket	193.00
-SS	Stainless Steel 3/32" [2mm] Diameter Perforated Screen for Bucket	261.00
-Y	Replacement Bucket Assembly with 3/32" [2mm] Diameter Perforated Screen	616.00

Z1181 SOLIDS INTERCEPTOR



ENGINEERING SPECIFICATION

Zurn Z1181 solids interceptor features large capacity, acid resistant coated interior and fabricated steel exterior. Works in lieu of fixture "P" trap for on-floor or flush with floor installation. Furnished with a removable, acid resistant coated fabricated steel bucket with removable primary (3/8" [10mm] diameter holes) and secondary (3/32" [2mm] diameter holes) flow diffusing/intercepting brass screens, and complete with a top access, gasketed, secured cover.

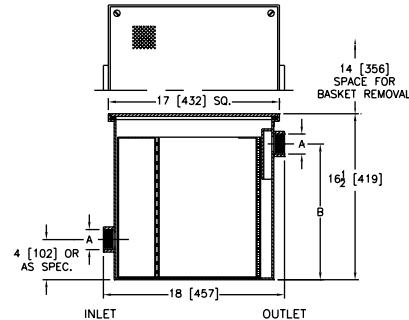
NOTES

*Regularly furnished with 2" [51mm] threaded low inlet and high outlet.

CAUTION

Interceptors must be maintained periodically in order to ensure proper operation of the system. Follow cleaning schedule based on usage.

A Inlet/Outlet inch [mm]	B	Flow Rate gpm [LPM]	Approximate Weight lb [kg]
1-1/2 [38], 2 [51] [†]	13-1/2 [343]	30 [114]	40 [18]
3 [76]	13 [330]		



PREFIXES	DESCRIPTION	A INLET/OUTLET	LIST PRICE
Z1181*	Standard Assembly (See Engineering Specification)	1-1/2", 2"	3,187.00
		3"	4,121.00
SUFFIXES	DESCRIPTION	A INLET/OUTLET	ADD
-CS	Custom Screens (Specify material and perforation size required.)		POA
-R	Acid Resistant Coated Interior and Exterior Fabricated Steel Recessing Receiver for Recessed Installation is Equipped with Adjustable Support Brackets and Gasketed, Non-Skid, secured cover with removable Lift Handle		5,580.00
-SS	Stainless Steel Perforated Screens for Bucket (Specify perforation size.)	1-1/2" [38mm], 2" [51mm], 3" [76mm]	595.00 746.00
-Y	Replacement Bucket Assembly with Perforated Screens	1-1/2" [38mm], 2" [51mm], 3" [76mm]	11,736.00 1,962.00

Z1182 SIDE ACCESS SOLIDS INTERCEPTOR



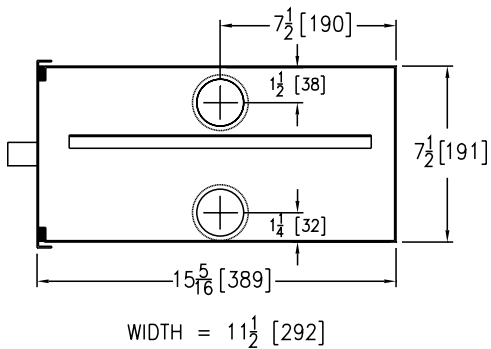
ENGINEERING SPECIFICATION

Zurn Z1182 side access solids interceptor features stainless steel construction. Ideal for suspended or under sink installations where there are height restrictions for a top removal solids interceptor. Furnished with removable sediment basket attached to a removable, gasketed, latched lid. All units have a high inlet and a low outlet on each side for right- or left-hand mounting.

CAUTION

Interceptors must be maintained periodically in order to ensure proper operation of the system. Follow cleaning schedule based on usage.

Inlet/Outlet inch [mm]	Flow Rate gpm [LPM]
2 [51]	35 [132]



PREFIXES	DESCRIPTION	LIST PRICE
ZS1182*	All Type 304 Fabricated Stainless Steel	5,864.00
SUFFIXES	DESCRIPTION	ADD
-YR	Replacement Stainless Steel Basket Assembly	2,666.00

Z1183 SOLIDS INTERCEPTOR

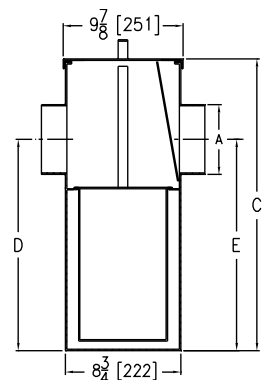


ENGINEERING SPECIFICATION

Zurn Z1183 solids interceptor features large capacity, acid resistant coated fabricated steel or stainless steel construction. Ideal for on floor or semi-recessed installation cores with screen attached to gasketed, removable, latched lid and removable sediment basket. Size to be used with corresponding Z1170, Z1172, or Z1173 grease interceptors.

CAUTION

Interceptors must be maintained periodically in order to ensure proper operation of the system. Follow cleaning schedule based on usage.



INLET G=WIDTH OF BODY OUTLET

Size	Inlet/Outlet inch [mm]	Flow Rate gpm [LPM]	Solid Capacity cu ft [cm ³]	Dimensions in inches [mm]	
				C	
100	2 [51]	4 [15]	0.20 [.006]	10 [254]	
200		7 [26]	0.29 [.008]	11-1/8 [283]	
300		10 [38]	0.33 [.009]	11-3/4 [298]	
400	3 [76]	15 [57]	0.38 [.011]	13-3/8 [340]	
500		20 [76]	0.66 [.019]	15 [381]	
600		25 [95]	0.79 [.022]	17 [432]	
700	4 [102]	35 [132]	1.17 [.033]	18-3/4 [476]	
800		50 [189]	1.35 [.038]	21-1/2 [546]	
900		75 [284]	1.61 [.046]	22-3/4 [578]	

PREFIXES	DESCRIPTION	SIZE	LIST PRICE
Z1183*	Acid Resistant Coated Fabricated Steel	100	3,339.00
		200	3,381.00
		300	3,478.00
		400	3,668.00
		500	3,841.00
		600	4,091.00
		700	4,294.00
		800	4,551.00
		900	4,863.00
SUFFIXES	DESCRIPTION	ADD	LIST PRICE
ZS1183	All Type 304 Fabricated Stainless Steel	100	6,041.00
		200	6,654.00
		300	7,070.00
		400	7,208.00
		500	7,663.00
		600	7,153.00
		700	9,563.00
		800	10,258.00
		900	12,558.00
SUFFIXES	DESCRIPTION	ADD	LIST PRICE
-CS	Custom Screens (Specify material and perforation size required.)		401.00
		401.00	
		401.00	
		401.00	
		890.00	
		890.00	
		890.00	
		890.00	
		890.00	
-YR	Replacement Stainless Steel Basket Assembly	1,601.00	1,601.00
		1,601.00	1,601.00
		1,601.00	1,601.00
		1,601.00	1,601.00
		1,601.00	1,601.00
		1,601.00	1,601.00

*Regularly furnished unless otherwise specified. For additional product information, please visit www.zurn.com

INTRO
 ROOF DRAINS
 FLOOR DRAINS
 T, P, BW VALVES
 INTERCEPTORS
 CARRIERS
 HYDRANTS
 CLEANOUTS
 WHA
 SS DRAINS
 FAB SS DRAINS
 SAN-FLOOR
 TECH INFO

Z1183-DF SOLIDS INTERCEPTOR WITH DISPOSABLE FILTER BAGS

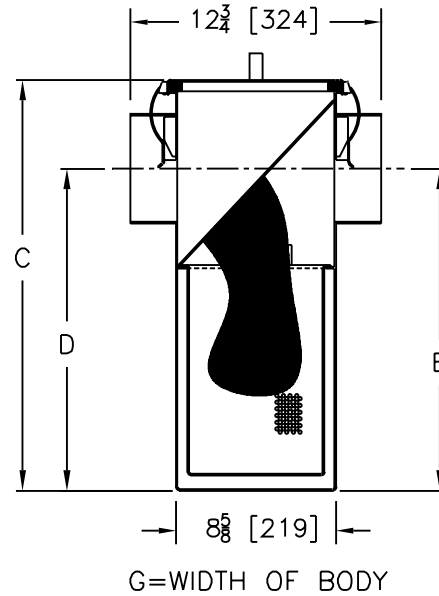


ENGINEERING SPECIFICATION

Zurn Z1183-DF solids interceptor features acid resistant coated fabricated steel or stainless steel. Ideal for on floor or semi-recessed installation with replaceable filter bags, retainer plate, latched lid, and removable sediment basket. Size to be used with corresponding Z1170 grease interceptor.

CAUTION

Interceptors must be maintained periodically in order to ensure proper operation of the system. Follow cleaning schedule based on usage.



PREFIXES	DESCRIPTION	SIZE	LIST PRICE
Z1183-DF*	Acid Resistant Coated Fabricated Steel	100	3,899.00
		200	4,293.00
		300	4,562.00
		400	4,652.00
		500	4,944.00
		600	5,523.00
		700	6,171.00
		800	6,619.00
		900	8,102.00
		ZS1183-DF	All Type 304 Fabricated Stainless Steel
200	POA		
300	POA		
400	POA		
500	POA		
600	POA		
700	POA		
800	POA		
900	POA		
SUFFIXES	DESCRIPTION		
-XB	Extra Solids Interceptor Basket		POA
-XF	Extra Supply of 30 Solids Filter Bags		593.00

Size	Inlet/Outlet inch [mm]	Flow Rate gpm [LPM]	Solid Capacity cu ft [cm ³]	Dimensions in inches [mm]		
				C	D/E	G
100	2 [51]	4 [15]	0.20 [.006]	10 [254]	7-1/4 [184]	9-7/8 [251]
200		7 [26]	0.29 [.008]	11-1/8 [283]	8-1/8 [206]	11-7/8 [302]
300	3 [76]	10 [38]	0.33 [.009]	11-3/4 [298]	8-1/4 [210]	14 [356]
400		15 [57]	0.38 [.011]	13-3/8 [340]	9-3/8 [238]	16-3/4 [425]
500		20 [76]	0.66 [.019]	15 [381]	11-3/4 [298]	17-1/4 [438]
600	4 [102]	25 [95]	0.79 [.022]	17 [432]	12-7/16 [316]	19-7/8 [505]
700		35 [132]	1.17 [.033]	18-3/4 [476]	14-3/16 [360]	22-1/2 [572]
800		50 [189]	1.35 [.038]	21-1/2 [546]	16 [406]	
900		75 [284]	1.61 [.046]	22-3/4 [578]	18-1/2 [470]	

Z1183-FC SOLIDS INTERCEPTOR WITH FLUSH COVER

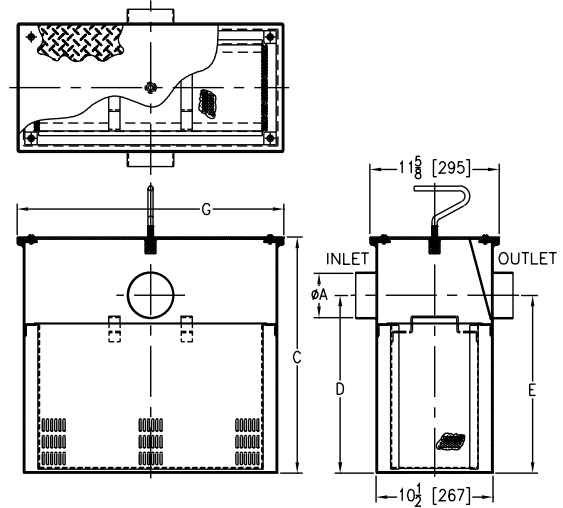
ENGINEERING SPECIFICATION

Zurn Z1183-FC solids interceptor features large capacity, acid resistant coated interior and exterior fabricated steel or stainless steel solids. Ideal for recessed installation with screen attached to gasketed, non-skid secured cover with removable lift handle and removable sediment basket. Size to be used with corresponding Z1170, Z1172, or Z1173 grease interceptors.

CAUTION

Interceptors must be maintained periodically in order to ensure proper operation of the system. Follow cleaning schedule based on usage.

PREFIXES	DESCRIPTION	SIZE	LIST PRICE
Z1183-FC*	Acid Resistant Coated Fabricated Steel	100	2,268.00
		200	2,307.00
		300	2,339.00
		400	2,557.00
		500	2,706.00
		600	2,925.00
		700	3,103.00
		800	3,326.00
		900	3,597.00
		1000	3,687.00
		1100	3,806.00
		1200	3,883.00
ZS1183-FC	Type 304 Fabricated Stainless Steel	100	POA
		200	POA
		300	POA
		400	POA
		500	POA
		600	POA
		700	POA
		800	POA
		900	POA
		1000	POA
		1100	POA
		1200	POA
SUFFIXES	DESCRIPTION	ADD	
-CS	Custom Screens (Specify material and perforation size required.)	POA	
-E	Acid Resistant Coated Interior and Exterior Fabricated Steel Extension Section	POA	
-YR	Replacement Stainless Steel Bucket Assembly	POA	



Size	Inlet/Outlet inch [mm]	Flow Rate gpm [LPM]	Solid Capacity cu ft [cm ³]	Dimensions in inches [mm]		
				C	D/E	G
100	2 [51]	4 [15]	0.20 [.006]	10 [254]	7-1/4 [184]	11-3/4 [298]
200		7 [26]	0.29 [.008]	11-1/8 [283]	8-1/8 [206]	13-3/4 [349]
300		10 [38]	0.33 [.009]	11-3/4 [298]	8-1/4 [210]	15-7/8 [403]
400	3 [76]	15 [57]	0.38 [.011]	13-3/8 [340]	9-3/8 [238]	18-5/8 [473]
500		20 [76]	0.66 [.019]	15 [381]	11-3/4 [298]	19-1/8 [486]
600		25 [95]	0.79 [.022]	17 [432]	12-7/16 [316]	21-3/4 [552]
700		35 [132]	1.17 [.033]	18-3/4 [476]	14-3/16 [360]	24-3/8 [619]
800		50 [189]	1.35 [.038]	21-1/8 [537]	16 [406]	
900		75 [284]	1.61 [.046]	22-3/4 [578]	18-1/2 [470]	
1000		100 [379]	1.80 [.051]	27 [686]	23 [584]	
1100		125 [473]	1.95 [.055]	30-1/8 [765]	24-1/2 [622]	
1200		4 [102]	150 [568]	2.11 [.060]	30-3/4 [781]	

*Regularly furnished unless otherwise specified.

For additional product information, please visit www.zurn.com

Z1184 BOTTOM ACCESS SOLIDS INTERCEPTOR



ENGINEERING SPECIFICATION

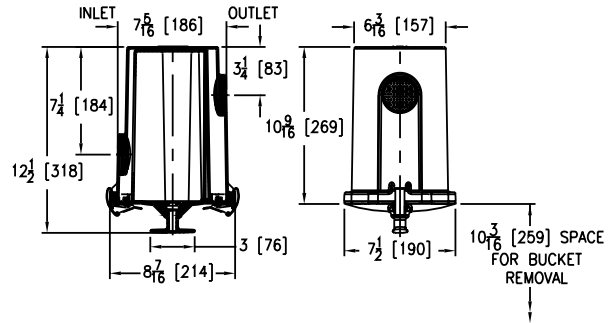
Zurn Z1184 bottom access solids interceptor features acid resistant composite. Works in lieu of fixture "P" trap for suspended installation. Includes removable PVC sediment bucket with a removable 3/32" [2mm] diameter perforated flow defusing/intercepting PVC screen, designed to intercept all types of solids and precious metals. Bottom access gasketed, secured cover comes complete with stainless steel draw latches and hardware with an ABS combination handle and drain port plug for easy removal of sediment bucket and screen.

NOTES

*Regularly furnished with 2" [51mm] threaded low inlet and high outlet.

CAUTION

Interceptors must be maintained periodically in order to ensure proper operation of the system. Follow cleaning schedule based on usage.



Inlet/Outlet inch [mm]	Flow Rate gpm [LPM]	Approximate Weight lb [kg]
1-1/2 [38], 2 [51]*	15 [57]	6 [3]

PREFIXES	DESCRIPTION	LIST PRICE
Z1184*	Standard Assembly (See Engineering Specification)	932.00
ZA1184	Acid Resistant Coated Fabricated Steel (Design different than what is shown.)	1,536.00
SUFFIXES	DESCRIPTION	ADD
-CS	Chrome Plated Finish Interior and Exterior (ZAB Only)	POA
-RS	Replacement 3/32" [2mm] Diameter Perforated Screen for Bucket	193.00
-SS	Stainless Steel 3/32" [2mm] Diameter Perforated Screen for Bucket	261.00
-Y	Replacement Bucket Assembly with 3/32" [2mm] Diameter Perforated Screen	616.00

Z1185 LINT INTERCEPTOR



ENGINEERING SPECIFICATION

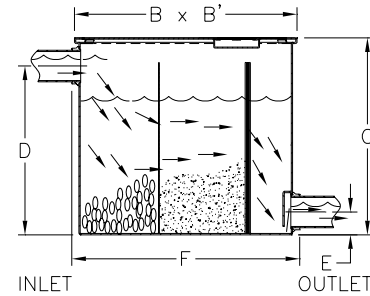
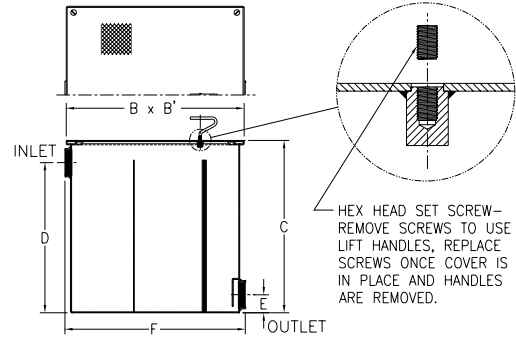
Zurn Z1185 lint interceptor features acid resistant coated interior and fabricated steel exterior, non-skid secured cover with removable lift handle, aluminum lint intercepting secondary screen assembly with 3/32" [2mm] square openings, and permanent primary straining baffle with 3/8" [10mm] diameter perforated holes. Regularly furnished with high inlet and low outlet.

NOTES

Size #3 and #7 covers are not furnished with a lift handle.

CAUTION

Interceptors must be maintained periodically in order to ensure proper operation of the system. Follow cleaning schedule based on usage.



PREFIXES	DESCRIPTION	SIZE	LIST PRICE
Z1185*	Dura-Coated Coated Fabricated Steel	3	8,334.00
		7	9,802.00
		10	11,337.00
		20	14,005.00
		30	16,272.00
		40	18,672.00
		50	20,937.00
ZSS1185	All Type 304 Dura-Coated Fabricated Stainless Steel	3	POA
		7	POA
		10	POA
		20	POA
		30	POA
		40	POA
		50	POA

SUFFIXES	DESCRIPTION	ADD		
-AR	Acid Resistant Coated Fabricated Steel	POA		
SUFFIXES	DESCRIPTION	SIZE	EA. ADDITIONAL 1" [25MM] OVER 6" [152MM]	UP TO 6" [152MM]
-E	Acid Resistant Coated Interior and Exterior Fabricated Steel Extension Section (Specify 'C' dimension required for recessed installation.)	3	POA	POA
		7	POA	POA
		10	POA	POA
		20	POA	POA
		30	POA	POA
		40	POA	POA
		50	POA	POA
		SIZE	ADD	
-RS	Aluminum Replacement Screen Assembly	3	668.00	
		7	866.00	
		10	1,268.00	
		20	1,601.00	
		30	1,866.00	
		40	1,937.00	
		50	2,134.00	

Size No. of Machines	Inlet/Outlet inch [mm]	Flow Rate gpm [LPM]	Approximate Weight lb [kg]	Dimensions in inches [mm]				
				B	C	D	E	F
3	2 [51]	30 [114]	93 [42]	17 [432]	16-1/2 [419]	13-1/2 [343]	3-1/4 [83]	17-1/4 [438]
7	3 [76]	70 [265]	155 [70]	25 [635]	20 [508]	15-3/4 [400]		25-1/2 [648]
10	4 [102]	100 [379]	271 [123]	33 [838]	28 [711]	25 [635]	4 [102]	34 [864]
20		200 [757]	404 [183]	40 [1016]	35 [889]	32 [813]		41 [1041]
30	6 [152]	300 [1136]	654 [267]	45 [1143]	40 [1016]	36 [914]	5 [127]	46 [1168]
40		400 [1514]	723 [328]	48 [1219]	43 [1092]	39 [991]		49 [1245]
50		500 [1893]	911 [413]	52 [1321]	47 [1194]	43 [1092]		53 [1346]

*Regularly furnished unless otherwise specified.

For additional product information, please visit www.zurn.com

INTRO
ROOF DRAINS
FLOOR DRAINS
T, P, BW VALVES
INTERCEPTORS
CARRIERS
HYDRANTS
CLEANOUTS
WHA
SS DRAINS
FAB SS DRAINS
SANI-FLOOR
TECH INFO

OIL INTERCEPTORS – GENERAL PRODUCT INFORMATION

Zurn oil interceptors are designed to be similar to the grease interceptors. Both work on the principle that oils are lighter than water and thus gravity causes the oil to rise and the solids to fall. Zurn oil interceptors come equipped with a removable sediment bucket on the inlet to trap stones, grit and other substances. Their perforated, flow-diffusing baffle eliminates turbulence and allows for high efficiency of separation.

All Zurn Z1186 and Z1188 oil interceptors are supplied with a specific gravity oil draw-off tube assembly. This assembly is to be set 1/8 above the static water level, per standard installation instructions. Once oil builds down to this level, the oil draws off by gravity through the tube assembly.

All Zurn oil interceptors are of 100% steel construction coated with a blue acid resisting epoxy. All Zurn oil interceptors are listed by the IAPMO. If you require an oil interceptor not listed phone 855-ONE-ZURN, or contact your local Zurn sales representative.

OIL INTERCEPTORS – APPLICATION INDEX

Product selection should be made with a specific application and the type of construction in mind. The varied types and sizes of Zurn interceptors, along with their options, offer a selection for all applications.

APPLICATION	RECOMMENDED INTERCEPTOR
Maintenance, Parking Garage, Oil Spill Areas	Z1186, Z1186-ST, Z1187, Z1187-SI, Z1188, Z1188-ST, Z1189, Z1196, Z1198, Z1198-ST
Municipal Water Systems, Wells	Z1187
Electronic Oil Level Sensors	Z1194, Z1196, Z1198, Z1198-ST

Z1186 OIL INTERCEPTOR



ENGINEERING SPECIFICATION

Zurn Z1186 oil interceptor features acid resistant coated interior and fabricated steel exterior, bronze cleanout plug and visible double wall trap seal, removable combination pressure equalizing/flow-diffusing baffle and sediment bucket, horizontal baffle, adjustable oil draw-off, and vent connections (either side). Gasketed, non-skid, secured cover comes complete with flow control fitting. Regularly furnished with inlet and outlet in high position.

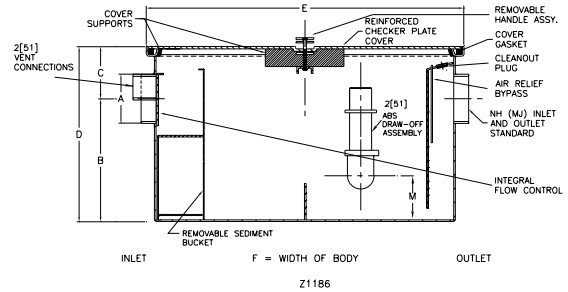
NOTES

Location of outlet from bottom of interceptor cannot be changed.

*Inlet and outlet sizes shown indicate standard operating sizes and flow control settings. Size #300 and #400 will have 3" [76mm] connections reduced to 2" [51mm] as standard. Size #700 and #800 will have 4" [102mm] connections reduced to 3" [76mm] as standard.

CAUTION

Interceptors must be maintained periodically in order to ensure proper operation of the system. Follow cleaning schedule based on usage.



Z1186

PREFIXES	DESCRIPTION	SIZE	LIST PRICE
Z1186*	Dura-Coated Coated Fabricated Steel	300	3,135.00
		400	3,265.00
		500	3,569.00
		600	4,256.00
		700	4,872.00
		800	5,358.00
ZS1186	All Type 304 Fabricated Stainless Steel	300-800	POA
ZSS1186	All Type 304 Dura-Coated Fabricated Stainless Steel	300-800	POA

SUFFIXES	DESCRIPTION	ADD		
		EA. ADDITIONAL 1" [25MM] OVER 6" [152MM]	UP TO 6" [152MM]	
SIZE				
-E	Acid Resistant Coated Interior and Exterior Fabricated Steel Extension Section. (Specify 'C' dimension required for recessed installation.)	300	72.00	905.00
		400	72.00	905.00
		500	72.00	952.00
		600	72.00	952.00
		700	72.00	986.00
		800	72.00	986.00
		SIZE	ADD	
-HD	Heavy duty traffic cover rated at 10,000 lbs. maximum safe live load. A 3" [76mm] minimum extension height is required when Heavy Duty Cover (-HD) option is specified. (Specify 'C' dimension height required.)	300	1,803.00	
		400	2,002.00	
		500	2,199.00	
		600	2,334.00	
		700	2,402.00	
		800	2,402.00	
-HT	Oil Interceptor Holding Tank with Cleanout	300	3,803.00	
		400	3,803.00	
		500	4,135.00	
		600	4,135.00	
		700	4,402.00	
		800	4,402.00	
-K	Anchor flange 1-3/4" [44mm] down from top and 2" [51mm] wide. A 3" [76mm] minimum extension height is required when anchor flange (-K) option is specified. (Specify 'C' dimension height required.) Price for -E plus -K.	300	1,065.00	
		400	1,065.00	
		500	1,065.00	
		600	1,065.00	
		700	1,065.00	
		800	1,065.00	
-KC	Anchor flange 1-3/4" [44mm] down from top and 2" [51mm] wide with clamp collar. A 3" [76mm] minimum extension height is required when anchor flange (-KC) option is specified.	300	1,149.00	
		400	1,149.00	
		500	1,149.00	
		600	1,149.00	
		700	1,149.00	
		800	1,149.00	

Size	Inlet/Outlet+ inch [mm]	Flow Rate gpm [LPM]	Water Capacity gallon [L]	Approximate Weight lb [kg]	Dimensions in inches [mm]						
					C	D/E	F	G	H	K	M
300	2 [51]	10 [38]	7 [26]	56 [25]	13-5/8 [346]	8-1/8 [206]	25-1/8 [638]	14 [356]	11-5/8 [295]	11 [279]	2-3/4 [70]
400		15 [57]	9 [34]	77 [35]	14 [356]	8-1/4 [210]	25-1/4 [641]	14-1/8 [359]			
500	3 [76]	20 [76]	10 [38]	106 [48]	15-1/2 [394]	9-3/8 [238]	27-1/8 [689]	16-3/4 [425]	13-1/4 [337]	12-1/2 [318]	2-1/2 [64]
600		25 [95]	16 [61]	116 [53]	18-1/4 [464]	11-3/4 [298]	30 [762]	17-1/4 [438]	16 [406]	15-1/4 [387]	4 [102]
700		35 [132]	21 [79]	140 [64]	19-3/4 [502]	12-1/2 [318]	32-1/4 [819]	19-7/8 [505]	16-3/8 [416]	16-3/4 [425]	4-11/16 [119]
800		50 [189]	30 [114]	171 [78]	24-1/4 [616]	14-1/4 [362]	34-1/8 [867]	22-1/2 [572]	17-1/4 [438]	21-1/4 [540]	6-7/16 [164]

*Regularly furnished unless otherwise specified.

For additional product information, please visit www.zurn.com

INTRO
ROOF DRAINS
FLOOR DRAINS
T, P, BW VALVES
INTERCEPTORS
CARRIERS
HYDRANTS
CLEANOUTS
WHA
SS DRAINS
FAB SS DRAINS
SANI-FLOOR
TECH INFO

Z1186-ST OIL INTERCEPTOR WITH INTEGRAL STORAGE TANK



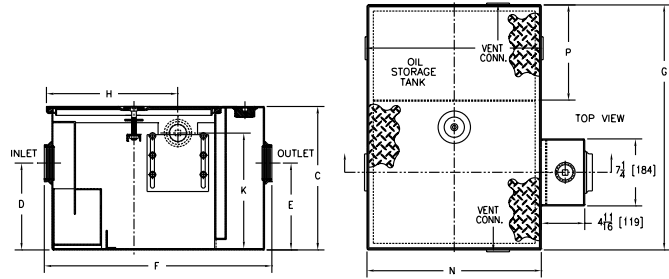
ENGINEERING SPECIFICATION

Zurn Z1186-ST oil interceptor features acid resistant coated interior and fabricated steel exterior, bronze cleanout plug and visible double wall trap seal, removable combination pressure equalizing/flow-diffusing baffle and sediment bucket, oil draw-off, and vent connections. Secured, gasketed, non-skid cover comes complete with flow control fitting and left-hand integral storage tank. Regularly furnished with inlet and outlet in high position.

NOTES

Location of outlet from bottom of interceptor cannot be changed. Regularly furnished with left-hand side storage tank.

*Inlet and outlet sizes shown indicate standard operating sizes and flow control settings. Size #300 and #400 will have 3" [76mm] connections reduced to 2" [51mm] as standard. Size #700 and #800 will have 4" [102mm] connections reduced to 3" [76mm] as standard.



PREFIXES	DESCRIPTION	SIZE	LIST PRICE
Z1186-ST*	Dura-Coated Coated Fabricated Steel	300	6,231.00
		400	8,550.00
		500	10,338.00
		600	11,221.00
		700	13,621.00
		800	18,356.00
ZS1186-ST	All Type 304 Fabricated Stainless Steel	300-800	POA
ZSS1186-ST	All Type 304 Dura-Coated Fabricated Stainless Steel	300-800	POA

SUFFIXES	DESCRIPTION	ADD		
		SIZE	EA. ADDITIONAL 1" [25MM] OVER 6" [152MM]	UP TO 6" [152MM]
-E	Acid Resistant Coated interior and exterior fabricated steel section. (Specify 'C' dimension required for recessed installation.)	300	POA	POA
		400	POA	POA
		500	POA	POA
		600	POA	POA
		700	POA	POA
		800	POA	POA
-HD	Heavy duty traffic cover rated at 10,000 lbs. maximum safe live load. A 3" [76mm] [76] minimum extension height is required when anchor flange (-K) option is specified. (Specify 'C' Dim. height required.)	300		7,041.00
		400		7,480.00
-K	Anchor flange 1-3/4" [44mm] down from top and 2" [51mm] wide. A 3" [76mm] minimum extension height is required when anchor flange (-K) option is specified. (Specify 'C' dimension height required.)	300		1,625.00
		400		1,625.00
		500		1,716.00
		600		1,794.00
		700		1,905.00
		800		1,905.00
-KC	Anchor flange 1-3/4" [44mm] down from top and 2" [51mm] wide with clamp collar. Same dimensional requirements as -K. Price for -E plus -KC.	300		1,905.00
		400		1,905.00
		500		1,905.00
		600		2,124.00
		700		2,199.00
		800		2,518.00
-STR	Storage tank on right-hand side when facing the inlet.			N/C

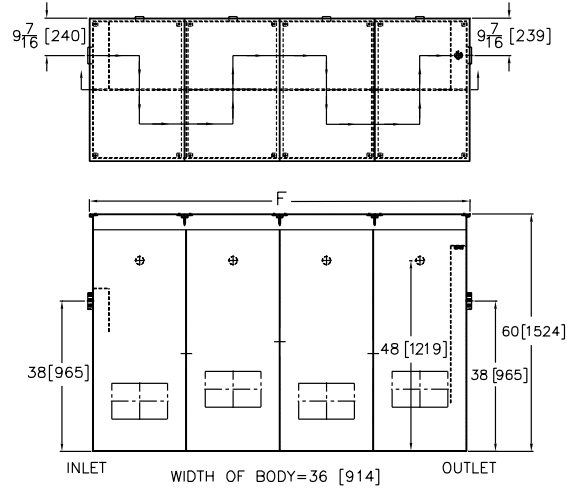
Size	Inlet/Outlet [†] inch [mm]	Flow Rate gpm [LPM]	Water Capacity gallon [L]	Approximate Weight lb [kg]	Dimensions in inches [mm]						
					C	D/E	F	G	H	K	N
300	2 [51]	10 [38]	7 [26]	95 [43]	13-7/8 [352]	8-1/8 [206]	23-1/16 [586]	23-9/16 [598]	12-1/16 [306]	11 [279]	16-7/8 [429]
400		15 [57]	9 [34]	95 [43]	14 [356]	8-1/4 [210]					
500	3 [76]	20 [76]	10 [38]	115 [52]	15-1/2 [394]	9-3/8 [238]	25-1/16 [637]	26-1/2 [673]	14-3/16 [360]	12-1/2 [318]	18-7/8 [479]
600		25 [95]	16 [61]	280 [127]	18-1/4 [464]	11-3/4 [298]	35-7/32 [895]	50-7/8 [1292]	19-1/4 [489]	15-1/4 [387]	29 [737]
700		35 [132]	21 [79]	320 [145]	19-3/4 [502]	12-7/16 [316]	43-7/16 [1103]	45 [1143]	23-1/4 [591]	16-3/4 [425]	37 [940]
800		50 [189]	30 [114]	529 [240]	24-1/4 [616]	14-3/16 [360]	49-7/16 [1256]	70-1/8 [1781]	26-1/4 [667]	21-1/4 [540]	43 [1092]

Z1187 SAND AND SEDIMENT INTERCEPTOR



ENGINEERING SPECIFICATION

Zurn Z1187 sand and sediment interceptor features acid resistant coated interior and fabricated steel exterior, _____ cu ft capacity below invert of outlet, 4" [102mm] threaded inlet and outlet, and four 2" [51mm] threaded individual vent connections complete with heavy-duty, scoriated, non-skid, removable covers.



PREFIXES	DESCRIPTION	SIZE	LIST PRICE
Z1187*	Acid Resistant Coated Fabricated Steel	300	23,052.00
		400	24,493.00
		500	25,933.00
		600	28,817.00
		700	31,698.00
		800	34,579.00
		1000	40,341.00

SUFFIXES	DESCRIPTION	SIZE	EA. ADDITIONAL 1" [25MM] OVER 6" [152MM]	UP TO 6" [152MM]	ADD
-E	Integral extension assembly for recessed installation. (Specify overall height required.)	300	156.00	1,705.00	
		400	156.00	1,705.00	
		500	156.00	1,705.00	
		600	262.00	1,705.00	
		700	262.00	1,705.00	
		800	419.00	1,835.00	
		1000	419.00	1,835.00	

SUFFIXES	DESCRIPTION	SIZE	ADD
-HD	Heavy-duty cover rated at 10,000 lbs. maximum safe live load.	300	3,537.00
		400	4,193.00
		500	5,501.00
		600	6,157.00
		700	6,761.00
		800	7,467.00
		1000	9,058.00

SUFFIXES	DESCRIPTION	SIZE	ADD
-K	Anchor flange 1-3/4" [44mm] down from top and 2" [51mm] wide. No extension required to accommodate -K option.	300	1,038.00
		400	1,038.00
		500	1,038.00
		600	1,038.00
		700	1,038.00
		800	1,038.00
		1000	1,038.00

Size	cu ft [cm ³]	Approximate Weight lb [kg]	F-Dim.
300	43 [1.2]	1600 [726]	60 [1524]
400	54 [1.5]	1750 [794]	72 [1829]
500	72 [2.0]	2100 [953]	96 [2438]
600	81 [2.3]	2500 [1134]	108 [2743]
700	90 [2.5]	2700 [1225]	120 [3048]
800	108 [3.0]	3000 [1361]	144 [3658]
1000	135 [3.8]	3640 [1651]	180 [4572]

*Regularly furnished unless otherwise specified.

For additional product information, please visit www.zurn.com

Z1187-SI SAND INTERCEPTOR

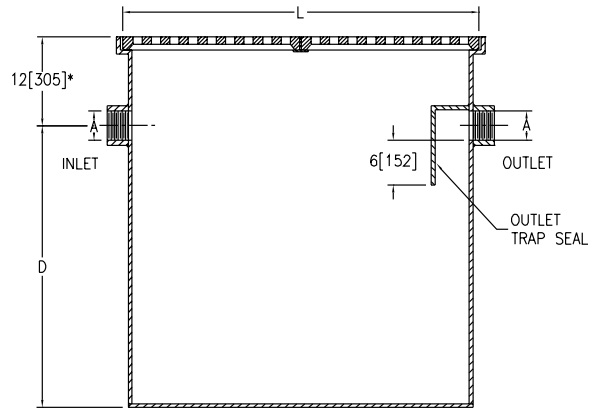


ENGINEERING SPECIFICATION

Zurn Z1187-SI sand interceptor features acid resistant coated interior and fabricated steel exterior with threaded inlet and outlet complete with removable, heavy-duty grates.

NOTES

1. Location of outlet from bottom of interceptor cannot be changed.
2. Standard grating is for heavy-duty applications. The -SC option is for a heavy-duty cover.



*12[305] REGULARLY FURNISHED—
SPECIFY DIMENSION IF HIGHER
OR LOWER IS REQUIRED

PREFIXES	DESCRIPTION	SIZE	LIST PRICE	
Z1187-SI*	Acid Resistant Coated Fabricated Steel	20	14,684.00	
		50	24,896.00	
		150	68,970.00	
		250	78,299.00	
		500	100,750.00	
SUFFIXES	DESCRIPTION	ADD		
		EA. ADDITIONAL 1" [25MM] OVER 6" [152MM]	UP TO 6" [152MM]	
-E	Integral extension assembly. (Specify extension height.)	20	100.00	890.00
		50	336.00	1,384.00
		150	336.00	2,473.00
		250	419.00	3,713.00
		500	621.00	6,312.00
		SIZE	ADD	
-DG	Duresist grate (see Z793)		812.00	
-K	Anchor flange 1-3/4" [44mm] down from top and 2" [51mm] wide.		POA	
-KC	Anchor flange 1-3/4" [44mm] down from top and 2" [51mm] wide with clamp collar.		POA	
-NH	No-hub inlet and outlet (see Z1040)		-	
-SC	Heavy-duty reinforced cover(s) rated at 10,000 lbs. maximum safe live load.	20		2,802.00
		50		5,602.00
		150		11,203.00
		250		16,828.00
		500		28,055.00
-VP	Vandal-proof screws		118.00	

Size	Flow gpm [LPM] (Max.)	A Pipe Size inch [mm]	L inch [mm]	D inch [mm]	Capacity Gal. [L] (Static)	No. of 12" x 24" Grates	Width inch [mm]	Approximate Weight lb [kg]
20	20 [76]	4 [102]	24 [610]	26 [660]	60 [227]	2	24 [610]	133 [60]
50	50 [189]		120 [454]		4	204 [93]		
150	150 [568]	6 [152]	48 [1219]	38 [965]	360 [1363]	8	48 [1219]	368 [167]
250	250 [946]		72 [1829]	39 [991]	540 [2044]	12		1294 [587]
500	500 [1893]		120 [3048]	51 [1295]	1200 [4542]	20		2204 [1000]

Z1188 LARGE CAPACITY OIL INTERCEPTOR

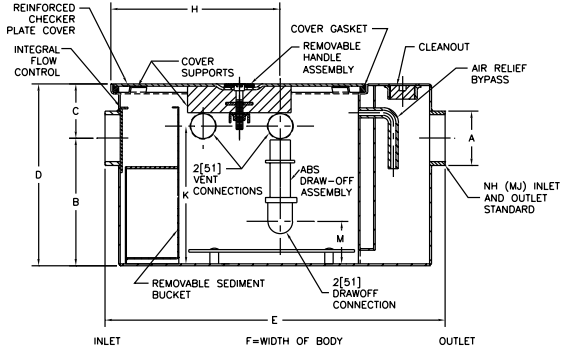


ENGINEERING SPECIFICATION

Zurn Z1188 large capacity oil interceptor features a Dura-Coated interior and exterior fabricated steel oil interceptor, with internal air relief by-pass bronze cleanout plug and visible double wall trap seal, removable combination pressure equalizing/flow diffusing baffle and sediment bucket, horizontal baffle, adjustable oil draw off and vent connections either side. Secured gasketed non-skid cover complete with integral flow control fitting.

CAUTION

Interceptors must be maintained periodically in order to ensure proper operation of the system. Follow cleaning schedule based on usage.



PREFIXES	DESCRIPTION	SIZE	LIST PRICE
Z1188*	Dura-Coated Coated Fabricated Steel	75	10,429.00
		100	12,377.00
		125	14,453.00
		150	15,843.00
		200	19,189.00
		250	21,827.00
		300	21,827.00
		350	23,909.00
		400	POA
		450	POA
500	POA		

SUFFIXES	DESCRIPTION	SIZE	EA. ADDITIONAL		ADD
			1" OVER 10"	UP TO 10"	
-E	Acid Resistant Coated interior and exterior fabricated steel extension section. (Specify 'C' dimension required for recessed installation.)	75	81.00	1,200.00	
		100	120.00	1,467.00	
		125	120.00	1,467.00	
		150	120.00	1,467.00	
		200	120.00	1,601.00	
		250	120.00	1,735.00	
		300	120.00	1,735.00	
		350	120.00	1,735.00	
		400	120.00	1,735.00	
		450	120.00	1,735.00	
500	120.00	1,735.00			

SUFFIXES	DESCRIPTION	SIZE	ADD		
-HD	Heavy-duty traffic cover rated at 10,000 lbs. maximum safe live load. An increased 'C' dimension is required when Heavy Duty Cover (-HD) option is specified. (See -HD Specification Sheet.)	75	2,402.00		
		100	2,802.00		
		125	3,255.00		
		150	3,600.00		
		200	4,271.00		
		250	5,602.00		
		300	6,936.00		
		350	8,274.00		
		400	9,336.00		
		450	10,671.00		
500	11,535.00				
-HT	Holding Tank	75	4,603.00		
		100	5,865.00		
		125	6,667.00		
		150	8,004.00		
		200	9,603.00		
		250	10,936.00		
-K	Anchor flange 1-3/4" [44mm] down from top and 2" [51mm] wide. A 3" [76mm] minimum extension height is required when -K option is specified.	75-500	1,333.00		
		-KC	Anchor flange 1-3/4" [44mm] down from top and 2" [51mm] wide with clamp collar. A 3" [76mm] minimum extension height is required when -KC option is specified.	75-500	1,374.00

Flow Rate gpm [LPM]	Inlet/Outlet inch [mm]	Approximate Weight lb [kg]	Dimensions in inches [mm]						
			B	C	D	E	F	H	
75 [284]	4 [102]	263 [119]	18-1/2 [470]	4-1/4 [108]	22-3/4 [578]	35 [889]	28-5/8 [727]	25-3/4 [654]	
100 [379]		368 [167]	23 [584]	4 [102]	27 [686]	41-3/4 [1060]	33-5/8 [854]	30-1/8 [765]	
125 [473]		641 [291]	24-1/2 [622]	5-5/8 [143]	30-1/8 [765]	48-1/4 [1226]	40 [1016]	36-5/8 [930]	
150 [568]		748 [339]	25-1/4 [641]	5-1/2 [140]	30-3/4 [781]	55 [1397]	41-3/8 [1051]	43-7/8 [1114]	
200 [757]		896 [406]	29-7/8 [759]	5-5/8 [143]	35-1/2 [902]	60 [1524]	43-5/8 [1108]	46-5/8 [1184]	
250 [946]		1108 [503]	36 [914]	5 [127]	41 [1041]	70 [1778]	51-5/8 [1311]	56-5/8 [1438]	
300 [1136]	6 [152]	1785 [810]	39-5/8 [1006]	6-5/8 [168]	46-1/4 [1175]	79 [2007]	58-3/8 [1483]	65-5/8 [1667]	
350 [1325]		1985 [900]	43-7/8 [1114]		50-1/2 [1283]	86 [2184]	63-5/8 [1616]	74-1/8 [1883]	
400 [1514]		2260 [1025]	47-5/8 [1210]		54-1/4 [1378]	93 [2362]	67 [1702]	79-1/8 [2010]	
450 [1703]		2415 [1095]	48-5/8 [1235]		55-1/4 [1403]	99 [2515]	72 [1829]	85-3/8 [2168]	
500 [1893]		2535 [1150]	51-5/8 [1311]		5-5/8 [143]	57-1/4 [1454]	103 [2616]	74 [1880]	88-3/8 [2245]

*Regularly furnished unless otherwise specified.

For additional product information, please visit www.zurn.com

INTRO
ROOF DRAINS
FLOOR DRAINS
T, P, BW VALVES
INTERCEPTORS
CARRIERS
HYDRANTS
CLEANOUTS
WHA
SS DRAINS
FAB SS DRAINS
SANI-FLOOR
TECH INFO

Z1188-ST LARGE CAPACITY OIL INTERCEPTOR WITH INTEGRAL STORAGE TANK



ENGINEERING SPECIFICATION

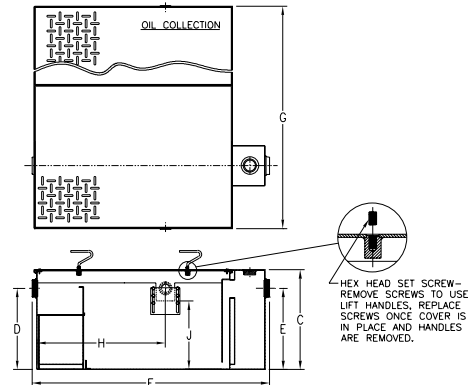
Zurn Z1188-ST large capacity oil interceptor features a Dura-Coated interior and exterior fabricated steel oil interceptor storage tank, bronze cleanout plug and visible double wall trap seal, removable combination pressure equalizing/flow diffusing baffle and sediment bucket, horizontal baffle, adjustable oil draw-off and vent connections either side, secured gasketed non-skid secured cover, complete with integral flow control. Regularly furnished with inlet and outlet in high position.

NOTES

Location of outlet from bottom of interceptor cannot be changed.

CAUTION

Interceptors must be maintained periodically in order to ensure proper operation of the system. Follow cleaning schedule based on usage.



PREFIXES	DESCRIPTION	SIZE	LIST PRICE
Z1188-ST*	Dura-Coated Coated Fabricated Steel	75	21,200.00
		100	22,987.00
		125	26,816.00
		150	28,467.00
		200	30,765.00
		250	46,570.00
		300	52,731.00
		350	58,855.00
		400	67,788.00
		450	77,439.00

ZS1188-ST	All Type 304 Fabricated Stainless Steel with Aluminum Cover	75-500	POA
ZSS1188-ST	All Type 304 Dura-Coated Fabricated Stainless Steel with Stainless Steel Cover	75-500	POA

SUFFIXES	DESCRIPTION	SIZE	ADD	
			EA. ADDITIONAL 1" OVER 10"	UP TO 10"
-E	Integral Acid Resistant Coated interior and exterior fabricated steel extension section. (Specify 'C' dimension required for recessed installation.)	75	191.00	2,908.00
		100	205.00	3,032.00
		125	219.00	3,272.00
		150	236.00	3,275.00
		200	246.00	4,687.00
		250	269.00	6,094.00
		300	305.00	7,408.00
		350	340.00	7,482.00
		400	374.00	10,238.00
		450	393.00	11,944.00
		500	405.00	13,664.00

SUFFIXES	DESCRIPTION	SIZE	ADD
-HD	Heavy-duty traffic cover rated at 10,000 lbs. maximum safe live load. An increased 'C' dimension is required when -HD option is specified. (See -HD Specification Sheet.)	75	6,491.00
		100	8,934.00
		125	9,800.00
		150	11,469.00
		200	13,080.00
		250	18,054.00
		300	23,178.00
		350	27,331.00
		400	31,476.00
		450	35,965.00
-K	Anchor flange 1-3/4" [44mm] down from top and 2" [51mm] wide. A 3" [76mm] minimum extension height is required when anchor flange (-K) option is specified. (Specify 'C' dimension height required and price for -E plus -K.)	75	1,386.00
		100	1,556.00
		125	1,862.00
		150	2,169.00
		200	2,324.00
		250	3,105.00
		300	3,510.00
		350	3,914.00
		400	4,156.00
		450	4,402.00
-KC	Anchor flange 1-3/4" [44mm] down from top and 2" [51mm] wide with clamp collar. Same dimensional requirements as -K. Price for -E plus -KC.	75	2,519.00
		100	2,817.00
		125	3,154.00
		150	3,491.00
		200	4,080.00
		250	5,290.00
		300	5,935.00
		350	6,577.00
		400	6,988.00
		450	7,405.00
-STR	Storage tank on right-hand side when facing the inlet.	500	7,827.00
			N/C

Flow Rate gpm [LPM]	Inlet/ Outlet inch [mm]	Water Capacity gallon [L]	Oil Capacity gallon [L]	Approximate Weight lb [kg]	No. of Covers		Dimensions in inches [mm]					
					Trap	Tank	C	D/E	F	G	H	J
75 [284]	3 [76]	88 [333]	125 [473]	615 [279]	1	1	22-3/4 [578]	18-1/2 [470]	51-3/8 [1305]	65-3/8 [1661]	29-1/4 [743]	15-1/2 [394]
100 [379]		159 [602]		800 [363]			27 [686]	23 [584]	60-3/8 [1534]	82-3/8 [2092]	35-1/4 [895]	19-3/4 [502]
125 [473]		208 [787]	250 [946]	1450 [658]			30-1/8 [765]	24-1/2 [622]	64-1/4 [1632]	84-5/8 [2149]	36 [914]	21 [533]
150 [568]	4 [102]	235 [890]		1640 [744]	2	2	30-3/4 [781]	25-1/4 [641]	68-1/4 [1734]	82-3/4 [2102]	38-11/16 [983]	21-5/8 [549]
200 [757]		333 [1261]		1950 [885]			35-1/2 [902]	29-7/8 [759]	71-3/8 [1813]	92-3/4 [2356]	43-1/2 [1105]	26-3/8 [670]
250 [946]		445 [1685]	400 [1514]	2650 [1202]			41 [1041]	36 [914]	75-1/2 [1918]	95-5/8 [2429]	40-3/4 [1035]	32-1/2 [826]
300 [1136]		664 [2514]		3400 [1542]			46-1/4 [1175]	39-5/8 [1006]	82-3/8 [2092]	92-3/8 [2346]	48-1/16 [1221]	37-3/4 [959]
350 [1325]		1006 [3808]		4000 [1814]			50-1/2 [1283]	43-7/8 [1114]	103-1/8 [2619]	104-3/4 [2661]	61-15/16 [1573]	40-3/8 [1026]
400 [1514]	6 [152]	1266 [3808]		4700 [2132]	2	2	54-1/4 [1378]	47-5/8 [1210]	110-1/8 [2797]	102-5/8 [2607]	66-9/16 [1691]	44-1/8 [1121]
450 [1703]		1575 [5962]	700 [2650]	5200 [2359]			55-1/4 [1403]	48-5/8 [1235]	123-1/8 [3127]	102-7/8 [2613]	75-1/4 [1911]	44-5/8 [1133]
500 [1893]		1695 [6416]		5500 [2495]			57-1/4 [1454]	51-5/8 [1311]	124-1/8 [3153]	103-5/8 [2632]	73-15/16 [1878]	48-1/8 [1222]

Z1189 OIL/SEDIMENT INTERCEPTOR WITH HEAVY-DUTY GRATE

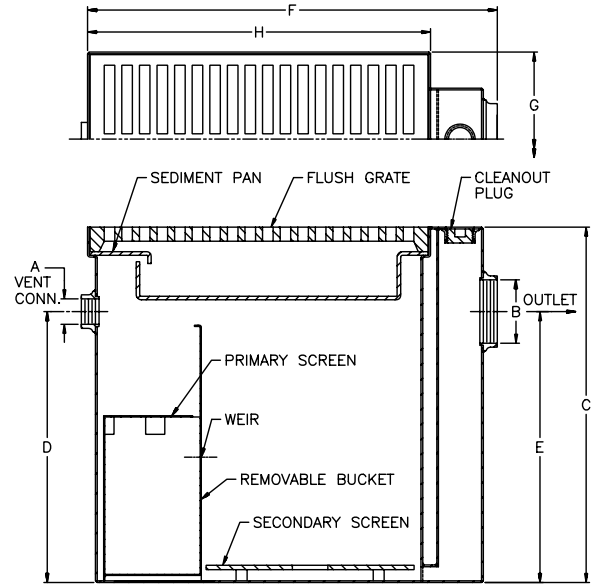


ENGINEERING SPECIFICATION

Zurn Z1189 oil/sediment interceptor features acid resistant coated interior and fabricated steel exterior, bronze cleanout plug and visible double wall trap seal, removable sediment bucket, horizontal baffle, internal vent connection, and Dura-Coated heavy-duty cast iron grate.

CAUTION

Interceptors must be maintained periodically in order to ensure proper operation of the system. Follow cleaning schedule based on usage.



PREFIXES	DESCRIPTION	SIZE	LIST PRICE	
Z1189*	Acid Resistant Coated	12	3,366.00	
	Fabricated Steel	60	9,548.00	
		100	13,597.00	
		200	16,805.00	
		300	20,710.00	
SUFFIXES	DESCRIPTION	ADD		
-DG	Duresist Grate		477.00	
		EA. ADDITIONAL 1" [25MM] OVER 6" [152MM]	UP TO 6" [152MM]	
-E	Acid Resistant Coated interior and exterior fabricated steel extension section. (Specify 'C' dimension required.)	12	81.00	934.00
		60	108.00	1,253.00
		100	159.00	1,937.00
		200	243.00	2,869.00
		300	213.00	3,282.00
		SIZE	ADD	
-K	Anchor flange 1-3/4" [44mm] down from top and 2" [51mm] wide	12	803.00	
		60	1,200.00	
		100	1,467.00	
		200	1,866.00	
		300	2,180.00	
-KC	Anchor flange 1-3/4" [44mm] down from top and 2" [51mm] wide	12	866.00	
		60	1,232.00	
		100	1,601.00	
		200	2,067.00	
		300	2,617.00	
-PW	Plug Wrench		98.00	
-SC	Heavy-Duty Solid Traffic Cover (maximum safe live load 10,000 lbs.)	12	632.00	
		60	1,258.00	
		100	2,055.00	
		200	3,612.00	
		300	5,304.00	

Size	Sludge Capacity lb [kg]	Grate Open Area inch [mm]	No. of Grates	No. of Pans	Approximate Weight lb [kg]	Dimensions in inches [mm]							
						A Vent Size	B Pipe Size	C	D	E	F	G	H
12	12 [5]	49 [1245]	1	1	70 [32]	-	2 [51]	15 [381]	-	10-1/2 [267]	17-1/8 [435]	11-3/8 [289]	12-3/8 [314]
60	60 [27]	131 [3327]			175 [79]			25-1/4 [641]	19-1/4 [489]	17-5/8 [448]	29-1/8 [740]	12-3/8 [314]	24-3/8 [619]
100	100 [45]	262 [6655]	2		2	4 [102]	33 [838]	27 [686]	22 [559]	41-1/8 [1045]	24-3/8 [619]	36-3/8 [924]	
200	200 [91]	393 [9982]	3										53-1/8 [1349]
300	300 [136]	524 [13309]	4		460 [209]								

*Regularly furnished unless otherwise specified.

For additional product information, please visit www.zurn.com

INTRO
ROOF DRAINS
FLOOR DRAINS
T, P, BW VALVES
INTERCEPTORS
CARRIERS
HYDRANTS
CLEANOUTS
WHA
SS DRAINS
FAB SS DRAINS
SANI-FLOOR
TECH INFO

Z1194 OIL LEVEL SENSOR RETROFIT KIT



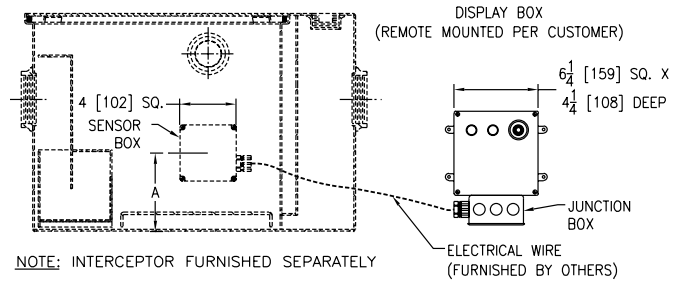
ENGINEERING SPECIFICATION

Zurn Z1194 oil level sensor retrofit kit features a fiberglass sensor box containing an electronic oil level sensor and a fiberglass display box with one green power light, red oil level light, audible alarm, and junction box. Intended use for retrofit applications on Z1186 and Z1188 oil interceptors. Power supply 100 to 240 VAC at 47 to 63 Hz, GFCI.

CAUTION

Caution: Interceptor must be cleaned of solids and other debris and the sensors wiped off on a regular basis in order to ensure proper operation of the system. Z1194 TO BE USED WITH INTERCEPTORS FOR ON-THE-FLOOR INSTALLATION ONLY.

PREFIXES	DESCRIPTION	LIST PRICE
Z1194	Oil Level Sensor Retrofit Kit	7,124.00



Z1186	
Flow Rate gpm [LPM]	A Dimensions inch [mm]
10 [38]	5-7/16 [138]
15 [57]	
20 [76]	6-5/8 [168]
25 [95]	7-3/4 [197]
35 [132]	
50 [189]	9-1/16 [230]
Z1188	
Flow Rate gpm [LPM]	A Dimensions inch [mm]
75 [284]	10 [254]
100 [379]	15-3/8 [391]
125 [473]	15-11/16 [398]
150 [568]	17-5/16 [440]
200 [757]	21-1/16 [535]
250 [946]	27-13/16 [706]
300 [1136]	32 [813]
350 [1325]	35-5/16 [897]
400 [1514]	39-5/16 [999]
450 [1703]	40-3/8 [1026]
500 [1893]	43-3/16 [1097]

Z1196 OIL INTERCEPTOR WITH OIL LEVEL SENSOR



ENGINEERING SPECIFICATION

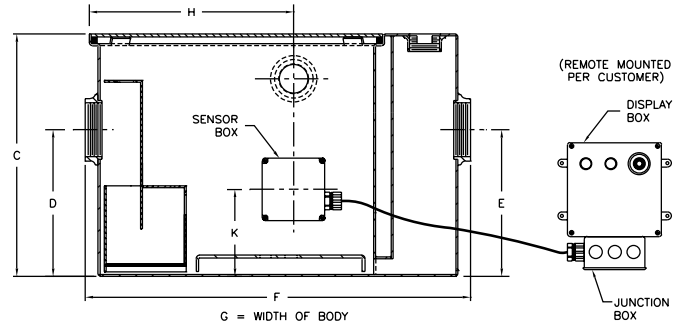
Zurn Z1196 oil interceptor features a Dura-coated interior and exterior fabricated steel oil interceptor, with a fiberglass sensor box containing an electronic oil level sensor (specify right or left side)+, a fiberglass display box with one green power light, red oil level light, audible alarm and junction box. Complete with bronze cleanout plug and visible double wall trap seal, removable combination pressure equalizing/flow diffusing baffle and sediment bucket, horizontal baffle, and vent connections either side. Secured gasketed non-skid cover complete with integral flow control fitting. Regularly furnished with inlet and outlet in high position.

NOTES

1. †Installed sensor box is mounted on the left- or right-hand side of the unit when facing inlet (must be specified).
2. ‡Inlet and outlet sizes shown indicate standard operating sizes and flow control settings. Size #300 and #400 will have 3" connections reduced to 2" as standard. Size #700 and #800 will have 4" connections reduced to 3" as standard. If changed, flow control must be adjusted accordingly.
3. Power supply 120V GFCI.
4. Recommended Installations: Sitting on the floor or recessed in a pit only. (A pit installation requires that a drain or sump pump be installed to keep the pit relatively dry.)
5. For pit installation, see Form No. IT66.

CAUTION

Interceptors must be maintained periodically in order to ensure proper operation of the system. Follow cleaning schedule based on usage.



PREFIXES	DESCRIPTION	SIZE	LIST PRICE	
Z1196	Dura-Coated Coated	300	11,056.00	
	Fabricated Steel	400	12,962.00	
		500	14,427.00	
		600	16,153.00	
		700	17,149.00	
		800	21,017.00	
ZS1196	All Type 304 Fabricated Stainless Steel with Aluminum Cover	300-800	POA	
ZSS1196	All Type 304 Dura-Coated Fabricated Stainless Steel with Stainless Steel Cover	300-800	POA	
SUFFIXES	DESCRIPTION	ADD		
-AR	Acid Resistant Epoxy Coated Finish	249.00		
		EA. ADDITIONAL 1" [25MM] OVER 6" [152MM]		
-E	Acid Resistant Coated interior and exterior fabricated steel	300	72.00	905.00
		400	72.00	905.00
		500	72.00	952.00
		600	72.00	952.00
		700	72.00	986.00
		800	72.00	986.00

Size	Inlet/Outlet inch [mm]	Flow Rate gpm [LPM]	Approximate Weight lb [kg]	Dimensions in inches [mm]					
				B	C	D	E	F	H
300	2 [51]	10 [38]	76 [34]	7-5/8 [194]	6 [152]	13-5/8 [346]	23 [584]	14 [356]	11-5/8 [295]
400	3 [76]	15 [57]		8 [203]		14 [356]		14-1/8 [359]	
500		20 [76]	89 [40]	9-1/2 [241]		15-1/2 [394]		16-3/4 [425]	13-1/4 [337]
600	4 [102]	25 [95]	110 [50]	12-1/4 [311]		18-1/4 [464]		17-1/4 [438]	16 [406]
700		35 [132]	117 [53]	13-3/4 [337]		19-3/4 [502]		19-7/8 [505]	16-3/8 [416]
800		50 [189]	172 [78]	18-1/4 [464]		24-1/4 [616]		32-1/4 [819]	22-1/2 [572]

*Regularly furnished unless otherwise specified.

For additional product information, please visit www.zurn.com

INTRO ROOF DRAINS FLOOR DRAINS T, P, BW VALVES INTERCEPTORS CARRIERS HYDRANTS CLEANOUTS W/HA SS DRAINS FAB SS DRAINS SAN-FLOOR TECH INFO

Z1198 LARGE CAPACITY OIL INTERCEPTOR WITH OIL LEVEL SENSOR



ENGINEERING SPECIFICATION

Zurn Z1198 Large Capacity Oil Interceptor features a Dura-Coated interior and exterior fabricated steel oil interceptor, with a fiberglass sensor box containing an electronic oil lever sensor (specify right or left side)+, a fiberglass display box with one green power light, red oil level light, audible alarm and junction box. Complete with bronze cleanout plug and visible double wall trap seal, removable combination pressure equalizing/flow diffusing baffle and sediment bucket, horizontal baffle, and vent connections either side. Secured gasketed non-skid cover with integral flow control fitting. Regularly furnished with inlet and outlet in high position.

NOTES

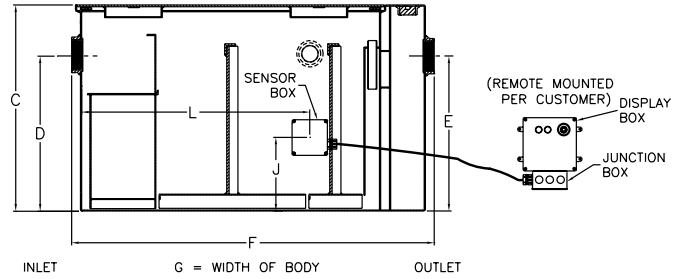
- *Installed sensor box is mounted on the left- or right-hand side of the unit when facing inlet (must be specified).
- Power supply 120V GFCI.

RECOMMENDED INSTALLATIONS

Sitting on the floor or recessed in a pit only. (A pit installation requires that a drain or sump pump be installed to keep the pit relatively dry.)
For pit installation, see Form No. IT62.

CAUTION

Interceptors must be maintained periodically in order to ensure proper operation of the system. Follow cleaning schedule based on usage.



PREFIXES	DESCRIPTION	SIZE	LIST PRICE
Z1198	Dura-Coated Coated Fabricated Steel	75	32,053.00
		100	34,254.00
		125	38,975.00
		150	41,007.00
		200	55,480.00
		250	63,307.00
		300	70,900.00
		350	78,444.00
		400	89,451.00
		450	101,340.00
500	111,276.00		
ZS1198	All Type 304 Fabricated Stainless Steel with Aluminum Cover	75-500	POA
ZSS1198	All Type 304 Dura-Coated Fabricated Stainless Steel with Stainless Steel Cover	75-500	POA

SUFFIXES	DESCRIPTION	SIZE	EA. ADDITIONAL 1" OVER 10"	UP TO 10"	ADD
-E	Integral Acid Resistant Coated interior and exterior fabricated steel extension section. (Specify 'C' dimension required for recessed installation.)	75	81.00	1,200.00	
		100	120.00	1,467.00	
		125	120.00	1,467.00	
		150	120.00	1,467.00	
		200	120.00	1,467.00	
		250	120.00	1,467.00	
		300	120.00	1,467.00	
		350	120.00	1,467.00	
		400	120.00	1,467.00	
		450	120.00	1,467.00	
500	120.00	1,467.00			

Flow Rate gpm [LPM]	Inlet/Outlet inch [mm]	Water Capacity gallon [L]	Oil Capacity gallon [L]	Approximate Weight lb [kg]	No. of Covers	Dimensions in inches [mm]					
						C	D/E	F	G	J	L
75 [284]	3 [76]	65 [246]	20 [76]	332 [151]	1	22-3/4 [578]	18-1/2 [470]	36 [914]	28-5/8 [727]	10 [254]	25-3/4 [654]
100 [379]		110 [416]	27 [102]	432 [196]		27 [686]	23 [584]	42-3/4 [1086]	33-5/8 [854]	15-3/8 [391]	30-1/8 [765]
125 [473]		150 [568]	33 [125]	780 [354]		30-1/8 [765]	24-1/2 [622]	49-1/4 [1251]	40 [1016]	15-11/16 [398]	36-5/8 [930]
150 [568]	4 [102]	190 [719]	40 [151]	888 [403]	2	30-3/4 [781]	25-1/4 [641]	56 [1422]	41-3/8 [1051]	17-5/16 [440]	43-7/8 [1114]
200 [757]		265 [1003]	53 [201]	1055 [479]		35-1/2 [902]	29-7/8 [759]	61 [1549]	43-5/8 [1108]	21-1/16 [535]	46-5/8 [1184]
250 [946]		460 [1741]	67 [254]	1438 [652]		41 [1041]	36 [914]	71 [1803]	51-3/8 [1305]	27-13/16 [706]	56-5/8 [1438]
300 [1136]	5 [127]	660 [2498]	80 [303]	1840 [835]	2	46-1/4 [1175]	39-5/8 [1006]	80 [2032]	58-3/8 [1483]	32 [813]	65-5/8 [1667]
350 [1325]		860 [3255]	93 [352]	2180 [989]		50-1/2 [1283]	43-7/8 [1114]	87 [2210]	63-5/8 [1616]	35-5/16 [897]	74-1/8 [1883]
400 [1514]		1090 [4126]	107 [405]	2536 [1150]		54-1/4 [1378]	47-5/8 [1210]	94 [2388]	67 [1702]	39-5/16 [999]	79-1/8 [2010]
450 [1703]	6 [152]	1275 [4826]	120 [454]	2816 [1277]	3	55-1/4 [1403]	48-5/8 [1235]	100 [2540]	72 [1829]	40-3/8 [1026]	85-3/8 [2169]
500 [1893]		1435 [5432]	133 [503]	2970 [1347]		57-1/4 [1454]	51-5/8 [1311]	104 [2642]	74 [1880]	43-3/16 [1097]	88-3/8 [2245]

Z1198-ST LARGE CAPACITY OIL INTERCEPTOR WITH INTEGRAL STORAGE TANK AND OIL LEVEL FLOAT SENSOR



ENGINEERING SPECIFICATION

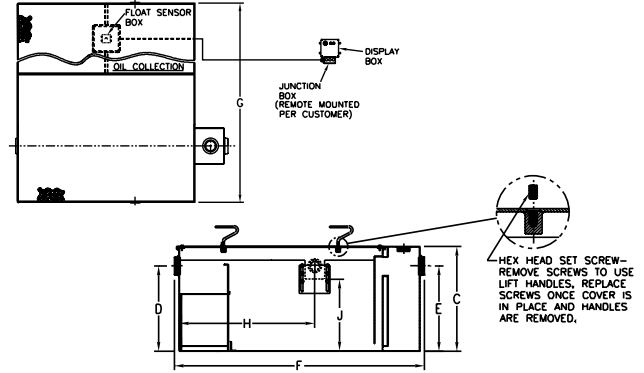
Zurn Z1198-ST large capacity oil interceptor features a Dura-Coated interior and exterior fabricated steel oil interceptor with fiberglass sensor box containing an electronic oil level sensor, fiberglass display box with audio and visual alarms and junction box. Complete with bronze cleanout plug and visible double wall trap seal, removable combination pressure equalizing/flow diffusing baffle and sediment bucket, adjustable oil draw-off, vent connections, secured gasketed non-skid cover, flow control fitting and left hand integral storage tank. Regularly furnished with inlet and outlet in high position.

NOTES

Location of inlet and outlet from bottom of interceptor cannot be changed.

CAUTION

Interceptors must be maintained periodically in order to ensure proper operation of the system. Follow cleaning schedule based on usage.



PREFIXES	DESCRIPTION	SIZE	LIST PRICE
Z1198-ST*	Dura-Coated Coated Fabricated Steel	75	44,259.00
		100	47,205.00
		125	53,428.00
		150	56,151.00
		200	75,383.00
		250	85,817.00
		300	95,910.00
		350	105,951.00
400	120,569.00		
450	136,386.00		
500	149,581.00		
ZS1198	All Type 304 Fabricated Stainless Steel with Aluminum Cover	75-500	POA
ZSS1198	All Type 304 Dura-Coated Fabricated Stainless Steel with Stainless Steel Cover	75-500	POA

SUFFIXES	DESCRIPTION	EA. ADDITIONAL 1" OVER 10"	UP TO 10"	ADD
-E	Integral Acid Resistant Coated interior and exterior fabricated steel extension section. (Specify 'C' Dim. required for recessed installation.)	75	323.00	4,761.00
		100	338.00	4,966.00
		125	365.00	5,173.00
		150	384.00	5,370.00
		200	399.00	7,690.00
		250	445.00	9,978.00
		300	513.00	12,144.00
		350	565.00	14,371.00
		400	609.00	16,769.00
		450	643.00	19,558.00
		500	670.00	22,392.00

SUFFIXES	DESCRIPTION	SIZE	ADD
-HD	Heavy-Duty Traffic Cover rated at 10,000 lbs. maximum safe live load. An increased 'C' dim. is required when -HD option is specified.	75	10,618.00
		100	14,640.00
		125	16,049.00
		150	18,788.00
		200	21,433.00
		250	29,556.00
		300	37,962.00
		350	44,775.00
		400	51,547.00
		450	58,915.00
		500	63,004.00
-K	Anchor flange 1-3/4" [44mm] down from top and 2" [51mm] wide. A 3" [76mm] minimum extension height is required when anchor flange (-K) option is specified. (Specify 'C' Dim. height required.)	75	2,289.00
		100	2,565.00
		125	3,044.00
		150	3,556.00
		200	3,794.00
		250	5,094.00
		300	5,752.00
		350	6,408.00
		400	6,803.00
		450	7,202.00
		500	7,629.00
-KC	Anchor flange 1-3/4" [44mm] down from top and 2" [51mm] wide with clamp collar. A 3" [76mm] minimum extension height is required when anchor flange (-KC) option is specified. (Specify 'C' Dim. height required.)	75	4,136.00
		100	4,616.00
		125	5,173.00
		150	5,720.00
		200	6,678.00
		250	8,650.00
		300	9,739.00
		350	10,763.00
400	11,359.00		
450	12,142.00		
500	1,266.00		
-STR	Storage tank on right-hand side when facing the inlet.		N/C

Flow Rate gpm [LPM]	Inlet/Outlet inch [mm]	Water Capacity gallon [L]	Oil Capacity gallon [L]	Approximate Weight lb [kg]	No. of Covers		Dimensions in inches [mm]					
					Trap	Tank	C	D/E	F	G	H	J
75 [284]	3 [76]	88 [333]	125 [473]	615 [279]	1	1	22-3/4 [578]	18-1/2 [470]	51-3/8 [1305]	65-3/8 [1661]	29-1/4 [743]	15-1/2 [394]
100 [379]		159 [602]		800 [363]			27 [686]	23 [584]	60-3/8 [1534]	82-3/8 [2092]	35-1/4 [895]	19-3/4 [502]
125 [473]		208 [787]	1450 [658]	30-1/8 [765]			24-1/2 [622]	64-1/4 [1632]	84-5/8 [2149]	36 [914]	21 [533]	
150 [568]	4 [102]	235 [890]	250 [946]	1640 [744]	1	1	30-3/4 [781]	25-1/4 [641]	68-1/4 [1734]	82-3/4 [2102]	38-11/16 [983]	21-5/8 [549]
200 [757]		333 [1261]		1950 [885]			35-1/2 [902]	29-7/8 [759]	71-3/8 [1813]	92-3/4 [2356]	43-1/2 [1105]	26-3/8 [670]
250 [946]		445 [1685]		2650 [1202]			41 [1041]	36 [914]	75-1/2 [1918]	95-5/8 [2429]	40-3/4 [1035]	32-1/2 [826]
300 [1136]	5 [127]	664 [2514]	400 [1514]	3400 [1542]	2	2	46-1/4 [1175]	39-5/8 [1006]	82-3/8 [2092]	92-3/8 [2346]	48-1/16 [1221]	37-3/4 [959]
350 [1325]		1006 [3808]		4000 [1814]			50-1/2 [1283]	43-7/8 [1114]	103-1/8 [2619]	104-3/4 [2661]	61-15/16 [1573]	40-3/8 [1026]
400 [1514]		1266 [3808]		4700 [2132]			54-1/4 [1378]	47-5/8 [1210]	110-1/8 [2797]	102-5/8 [2607]	66-9/16 [1691]	44-1/8 [1121]
450 [1703]	6 [152]	1575 [5962]	700 [2650]	5200 [2359]	1	1	55-1/4 [1403]	48-5/8 [1235]	123-1/8 [3127]	102-7/8 [2613]	75-1/4 [1911]	44-5/8 [1133]
500 [1893]		1695 [6416]		5500 [2495]			57-1/4 [1454]	51-5/8 [1311]	124-1/8 [3153]	103-5/8 [2632]	73-15/16 [1878]	48-1/8 [1222]

*Regularly furnished unless otherwise specified.

For additional product information, please visit www.zurn.com

NOTES

INTRO

ROOF DRAINS

FLOOR DRAINS

T, P, BW VALVES

INTERCEPTORS

CARRIERS

HYDRANTS

CLEANOUTS

WHA

SS DRAINS

FAB SS DRAINS

SANI-FLOR

TECH INFO

CARRIER SYSTEMS

CARRIER – APPLICATION INDEX	220				
CARRIER – PRODUCT COMPLIANCE	220				
CARRIER – TECHNICAL DATA	220				
CARRIER – HOW TO SPECIFY	220				
Z1200 CARRIER TOOLS AND ACCESSORIES	222				
⌚ Z1201-N EZCARRY® ADJUSTABLE HORIZONTAL HIGH PERFORMANCE SIPHON JET – NO-HUB SERIES	224				
⌚ Z1201-H EZCARRY® ADJUSTABLE HORIZONTAL HIGH PERFORMANCE SIPHON JET – HUB AND SPIGOT SERIES	226				
Z1201-N-XB EZCARRY® BARIATRIC CARRIER – 1000 LB ADJUSTABLE HORIZONTAL SIPHON JET – NO-HUB SERIES	228				
Z1201-N-XH EZCARRY® EXTRA HEAVY-DUTY 750 LB ADJUSTABLE HORIZONTAL SIPHON JET – NO-HUB SERIES	229				
⌚ ZE1201-N EZCARRY® ADJUSTABLE HORIZONTAL SIPHON JET WITH ELONGATED FITTING – NO-HUB SERIES	230				
⌚ ZE1201-H EZCARRY® ADJUSTABLE HORIZONTAL SIPHON JET WITH ELONGATED FITTING – HUB AND SPIGOT SERIES	232				
⌚ ZF1201-N EZCARRY® HORIZONTAL SIPHON JET ONE-PIECE CARRIER – NO-HUB SERIES	234				
⌚ ZN1201-N EZCARRY® ADJUSTABLE HORIZONTAL SIPHON JET – NO-HUB NARROW WALL SYSTEM (9-3/8" DEPTH FRONT TO BACK)	235				
⌚ Z1202-N EZCARRY® ADJUSTABLE VERTICAL HIGH PERFORMANCE SIPHON JET – NO-HUB SERIES	236				
⌚ Z1202-H EZCARRY® ADJUSTABLE VERTICAL HIGH PERFORMANCE SIPHON JET – HUB AND SPIGOT SERIES	238				
Z1202-N-XB EZCARRY® BARIATRIC CARRIER – 1000 LB ADJUSTABLE VERTICAL SIPHON JET – NO-HUB SERIES	240				
Z1202-N-XH EZCARRY® EXTRA HEAVY-DUTY 750 LB ADJUSTABLE VERTICAL SIPHON JET – NO-HUB SERIES	241				
⌚ ZF1202-N EZCARRY® VERTICAL SIPHON JET ONE-PIECE CARRIER – NO-HUB SERIES	242				
⌚ ZN1202-N EZCARRY® ADJUSTABLE VERTICAL SIPHON JET – NO-HUB NARROW WALL SYSTEM	243				
Z1203-N ADJUSTABLE HORIZONTAL SIPHON JET – NO-HUB SERIES	244				
Z1203-H ADJUSTABLE HORIZONTAL SIPHON JET – HUB AND SPIGOT SERIES	246				
⌚ ZE1203-N ADJUSTABLE HORIZONTAL SIPHON JET WITH ELONGATED FITTING – NO-HUB SERIES	248				
⌚ ZE1203-H ADJUSTABLE HORIZONTAL SIPHON JET WITH ELONGATED FITTING – HUB AND SPIGOT SERIES	250				
Z1204-H ADJUSTABLE VERTICAL SIPHON JET – HUB AND SPIGOT SERIES	252				
Z1204-N ADJUSTABLE VERTICAL SIPHON JET – NO-HUB SERIES	254				
Z1207-N ADJUSTABLE HORIZONTAL HIGH ROUGH-IN SIPHON JET – NO-HUB	256				
Z1208-N VERTICAL SIPHON JET WATER CLOSET SUPPORT SYSTEM – NO-HUB	257				
Z1208-H VERTICAL SIPHON JET WATER CLOSET SUPPORT SYSTEM – HUB AND SPIGOT	258				
Z1209-N VERTICAL OFFSET SIPHON JET WATER CLOSET SUPPORT SYSTEM – NO-HUB	259				
ZN1209-N VERTICAL OFFSET SIPHON JET – NO-HUB NARROW WALL SYSTEM	260				
Z1212 WALL CLOSET SUPPORT SYSTEM	261				
Z1213-N 4" VERTICAL SIPHON JET WATER CLOSET SUPPORT SYSTEM – 2" OR 4" TOP VENT CLOSET FITTING ONLY (NO SUPPORT)	262				
Z1216 90° DOUBLE NO-HUB SYSTEM FOR FLOOR MOUNTED BACK OUTLET WATER CLOSETS	263				
Z1217 COUPLING TYPE SYSTEM – WALL URINAL/SERVICE SINK	264				
Z1218 COUPLING TYPE SYSTEM – WALL URINAL/SERVICE SINK	265				
Z1221 PLATE TYPE SYSTEM – WALL URINALS	266				
Z1222 PLATE TYPE SYSTEM – WITH BEARING PLATE	266				
Z1223 PLATE TYPE SYSTEM – TROUGH URINALS	267				
Z1224 PLATE TYPE SYSTEM – LAVATORY WITH BACK	267				
Z1225 PLATE TYPE SYSTEM – WATER COOLERS	268				
Z1229 PLATE AND EXPOSED ARM – HEAVY SINKS	268				
Z1231 CONCEALED ARM SYSTEM – WALL LAVATORIES	269				
⌚ Z1231-EZ CONCEALED ARM SYSTEM – WALL LAVATORIES	269				
⌚ Z1231-EZR CONCEALED ARM SYSTEM – FOR WALL LAVATORIES WITH ADJUSTABLE UPRIGHTS AND HEADER PLATES	270				
Z1236 EXPOSED ARM SYSTEM – WALL LAVATORIES/SINKS	271				
Z1251 CONCEALED ARM SYSTEM – WALL SUPPORTED	272				
Z1253 ADJUSTABLE CONCEALED ARM SYSTEM – WALL SUPPORTED	272				
Z1255 EXPOSED ARM SYSTEM – WALL SUPPORTED	273				
Z1256 EXPOSED ARM SYSTEM – WALL SUPPORTED	274				
Z1257 EXPOSED ARM SYSTEM – WALL SUPPORTED	274				
Z1258 EXPOSED ARM SYSTEM – WALL SUPPORTED	275				
Z1259 PLATE SYSTEM – WALL SUPPORTED	276				
Z1280 WOOD STUD SUPPORTED WATER CLOSET CARRIER – NO-HUB	277				
Z1282 WOOD STUD SUPPORTED WATER CLOSET CARRIER – HUB AND SPIGOT	277				
Z1283 WOOD STUD SUPPORTED WATER CLOSET CARRIER – PLASTIC PIPE	278				
Z1284 CONCRETE FLOOR SUPPORTED WATER CLOSET CARRIER	278				
Z1285 WOOD STUD SUPPORTED WATER CLOSET CARRIER	279				
Z1290 EASTERN STYLE WATER CLOSET	280				

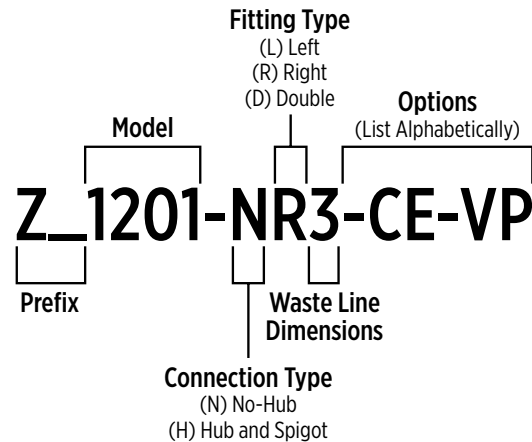
CARRIER – APPLICATION INDEX

APPLICATION	TYPE	RECOMMENDED CARRIER
Commercial (Cement Slab) Construction Off-the-Floor Closet	300 lb Rigid System	Z1201, ZE1201, ZF1201, ZN1201, Z1202, ZF1202, ZN1202 Z1203, ZE1203, Z1204, Z1207, Z1208, Z1209, ZN1209
	500 lb Rigid System	Z1201, Z1202, ZE1201, ZF1201, ZN1201, ZF1202, ZN1202
	750 lb Extra-Heavy-Duty	Z1201-XH, Z1202-XH
	1000 lb Bariatric	Z1201-XB, Z1202-XB
Wood Stud and Residential Off-the-Floor Closet		Z1212, Z1280, Z1282, Z1283, Z1284, Z1285
Penal Fixtures and Floor Mounted Back Outlet Fixtures		Z1216
Off-the-Floor Lavatories	Plate Type	Z1224, Z1224-EZ, Z1259 (No Uprights)
	Concealed Arm	Z1231, Z1231-EZ, Z1231-EZR, Z1251, Z1253 (No Uprights)
	Exposed Arm	Z1236, Z1256, Z1257, Z1258 (No Uprights)
Wash Sinks, Mop Sinks, Heavy Cast Sinks, Service Sinks		Z1217, Z1218, Z1229
Off-the-Floor Urinals		Z1221, Z1221-EZ, Z1222, Z1222-EZ, Z1223
Drinking Fountains, Water Coolers		Z1225
Eastern Style Water Closet		Z1290
System Accessories		Z1200

CARRIER – PRODUCT COMPLIANCE

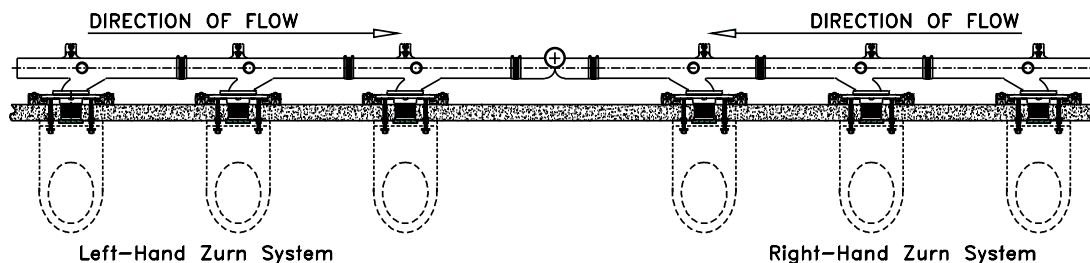
Zurn systems comply with ANSI A112.6.1M and are listed with IAPMO. For verification of a selected carrier, contact your local Zurn Sales Representative.

CARRIER – HOW TO SPECIFY



CARRIER – TECHNICAL DATA

DETERMINATION OF RIGHT- AND LEFT-HAND SYSTEMS

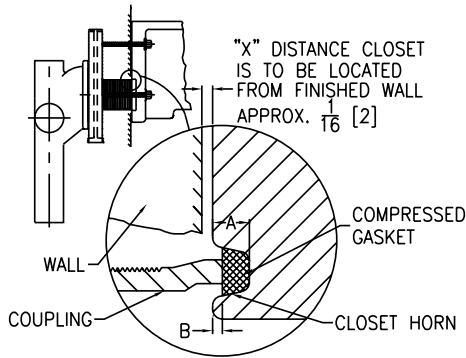


Stand facing the fixture.
If flow is from the right, Zurn System is right-hand. If flow is from the left, Zurn System is left-hand.

CARRIER – TECHNICAL DATA

DETERMINATION OF COUPLING AND FIXTURE DISTANCES FROM FRONT OF WALL

To ensure a tight seal at outlet of closet having a rectangular groove, the front end of the coupling should be located to compress the gasket adequately when the fixture is in the desired location. This dimension will vary depending on depth of recess (Dim. A) in closet. The following formula may be used to determine amount coupling should extend (Dim. B) in front of finished wall.



Inset illustrates depth of gasket recess in fixture and coupling with normal pressure on gasket.

A = depth of recess in closet

X = distance closet is to be located from finished wall

B = distance coupling should extend in front of finished wall.

$$\text{Thus, } A + X - 1/2" = B$$

With fixtures having vee-shaped grooves, coupling may have to extend an additional 1/8" or more. With any closet, the coupling must compress the gasket enough so that the adhesive-coated surfaces are in good contact with the china and the face of the coupling.

IMPORTANT: Bearing nuts and washers must be located properly to establish and maintain dimension "X."

DISTANCE FIXTURE BOLTS LOCATED IN FRONT OF WALL

To locate fixture bolts:

T = thickness of wall flange of closet

X = distance closet is to be located from finished wall

B = distance fixture studs should extend in front of finished wall.

$$\text{Thus, } T + X + 5/8" = B$$

"Minimum 'P' Dimension" is the minimum dimension from front of faceplate to finished wall:

Z1201/Z1202/Z1203/Z1204	Z1208 thru Z1209
1-3/4"	1"

"Standard 'P' Dimension" which is regularly supplied unless otherwise specified, provides for the following dimensions from the front of the faceplate to finished wall:

Z1201/Z1202/Z1203/Z1204		Z1208 thru Z1209	
MIN.	MAX.	MIN.	MAX.
5"	6"	4"	5-1/8"

Longer 'P' dimensions (or shorter) with couplings up to, and including 12", are furnished at no extra charge. An additional charge will be made for greater 'P' dimensions (see Suffix -CL).

ALLOWANCE FOR CONCEALED FLUSH VALVES

When wall closets are installed with concealed flush valves having rear inlet supply, location of faceplate is important – for Siphon Jet bowls, it is not necessary to locate faceplate behind supply line, since supply line will clear top of faceplate and vent line. For Blow Out installations, however, faceplate must be located behind supply line to prevent interference of faceplate with supply line.

Dimensions below based on B = 3/8".

Z1201/Z1202/Z1203/Z1204			
'P' Dimension*		Coupling Length	Stud Length
Min.	Max.		
1-3/4	2-3/4	2-3/4	6
2-1/2	3-1/2	3-1/2	8
3	4	4	8
4	5	5	8
5	6	6	9
6	7	7	10
7	8	8	11-1/4
7-1/2	8-1/2	8-1/2	11-1/4
8-1/4	9-1/4	9-1/4	12-3/4
9	10	10	12-3/4
10	11	11	15-3/4
11	12	12	15-3/4

Z1208 thru Z1209			
'P' Dimension*		Coupling Length	Stud Length
Min.	Max.		
1	1-7/8	2-3/4	6
1-1/2	2-5/8	3-1/2	8
2	3-1/8	4	8
3	4-1/8	5	8
4	5-1/8	6	9
5	6-1/8	7	9
6	7-1/8	8	11-1/4
6-1/2	7-5/8	8-1/2	11-1/4
7-1/4	8-3/8	9-1/4	12-3/4
8	9-1/8	10	12-3/4
9	10-1/8	11	15-3/4
10	11-1/8	12	15-3/4

Z1200 CARRIER TOOLS AND ACCESSORIES

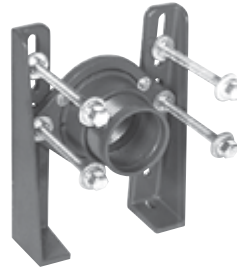
INTRO
ROOF DRAINS
FLOOR DRAINS
T, P, BW VALVES
INTERCEPTORS
CARRIERS
HYDRANTS
CLEANOUTS
WHA
SS DRAINS
FAB SS DRAINS
SANI-FLOOR
TECH INFO



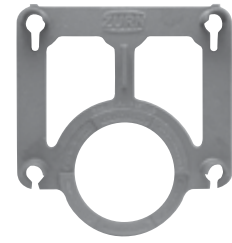
Ⓢ EZCARRY-HANDLE



Z1200-CPLGWRNCH



Z1200-AUX-SPRT



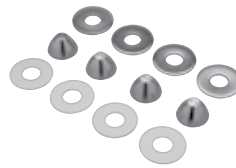
Ⓢ Z1200-RI-GAUGE



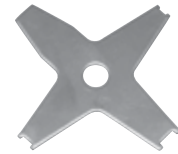
Z1200-NEOSEAL-GSKT-4



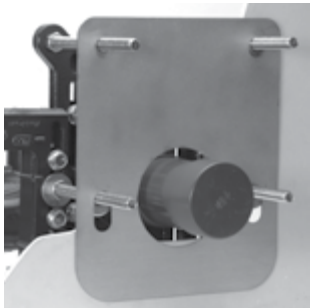
Z1200-RTRFT-NUT



Z1200-VP-HARDWARE

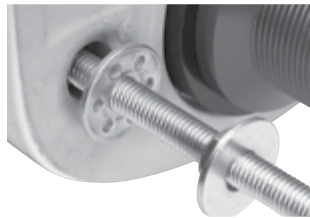


Z1200-VP-WRENCH



Ⓢ EZCUTGUIDE†

†Image showing old style carrier



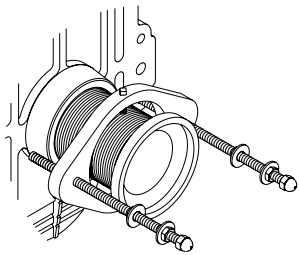
Z1200-ADJ-NUT



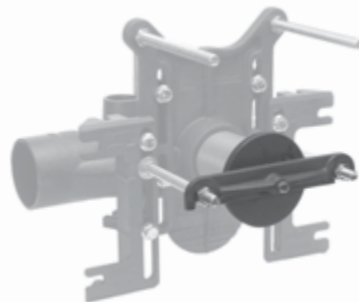
Ⓢ Z1200-OFL Patented



Ⓢ Z1200-OFR Patented



Ⓢ Z1200-FLRMNT-ADPT



Z1200-CC-TESTCAP shown on Z1201-N†

†Image showing old style carrier



Z1200-CC-TESTCAP

*Regularly furnished unless otherwise specified.

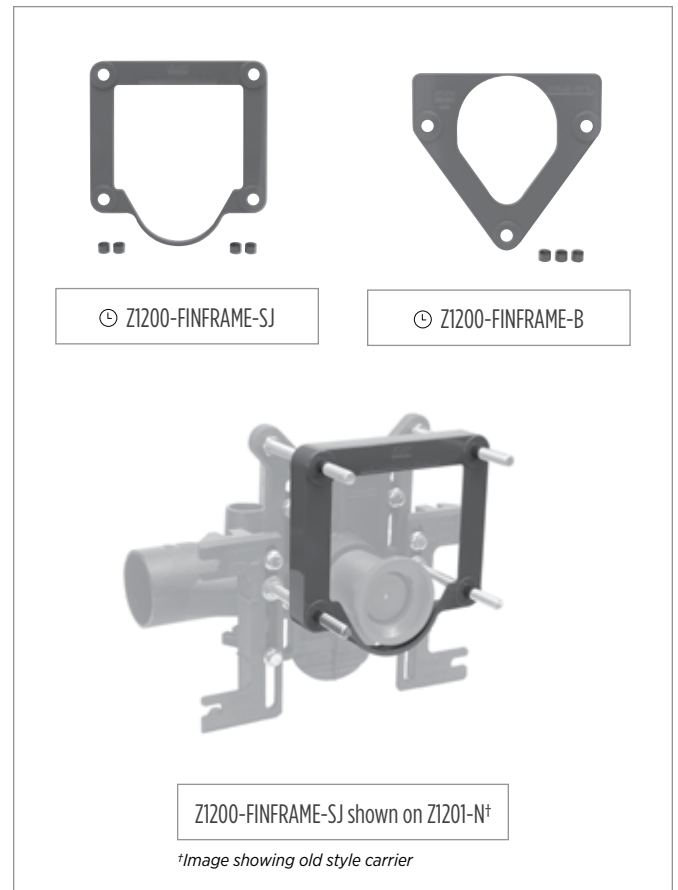
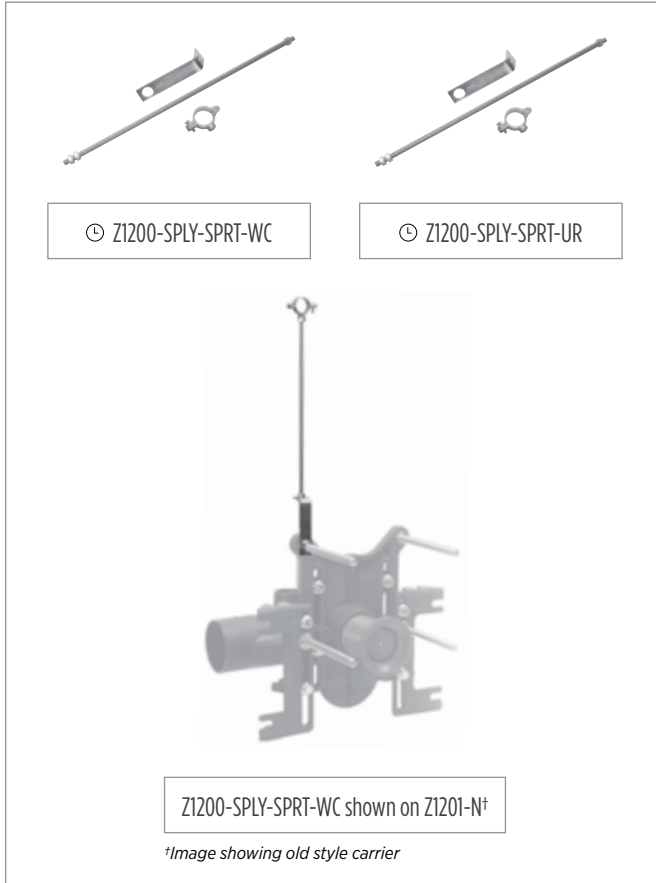
For additional product information, please visit www.zurn.com

Ⓢ This symbol denotes a product that is engineered to reduce installation and rework time.

For Additional System Tools See "Z1200 Carrier Tools and Accessories" on page 222

Z1200 CARRIER TOOLS AND ACCESSORIES

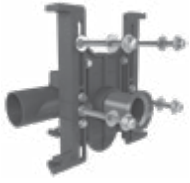
PRODUCT NUMBER	DESCRIPTION	LIST PRICE
Ⓢ EZCARRY-HANDLE	Carry Handle for Z1201/ Z1202	90.00
Ⓢ EZCUTGUIDE	EZ-Set Cutting Guide for use with -CE coupling system	100.00
Z1200-ADJ-NUT	Flush Wall Adjustment Nut/Washer	N/C
Z1200-AUX-SPRT	Auxiliary Support Assembly (Required For P-Dim. Greater than 18")	643.00
Z1200-AUX-FT-SPRT	Auxiliary Foot Support Assembly (Required For P-Dim. 7" - 18")	240.00
Z1200-CC-TESTCAP	Mechanical Test Cap Assembly for -CC Coupling	87.00
Z1200-CPLGWRNCH-3	Adjusting Wrench for 3" Adjustable Coupling	79.00
Z1200-CPLGWRNCH-4	Adjusting Wrench for 4" Adjustable Coupling	79.00
Ⓢ Z1200-FINFRAME-SJ	Finishing Frame for Siphon Jet System	61.00
Ⓢ Z1200-FINFRAME-B	Finishing Frame for Blowout Type System (Not for use with Z1201/ Z1202)	61.00
Ⓢ Z1200-FLRMNT-ADPT	Adapter Flange Assembly for Floor Mounted Back Outlet Fixture	117.00
Z1200-FT-EXT-2	2" Foot Extension Assembly	66.00
Z1200-FT-EXT-3	3" Foot Extension Assembly	66.00
Z1200-FT-EXT-4	4" Foot Extension Assembly	66.00
Ⓢ Z1200-NEOSEAL-GSKT-4	4" Bonded "Neo-Seal" Closet Gasket Kit (Previously Z1210-57)	61.00
Ⓢ Z1200-OFL	Offset Fitting - Left	571.00
Ⓢ Z1200-OFR	Offset Fitting - Right	571.00
Z1200-RI-GAUGE	Water Closet Rough-In Gauge	61.00
Z1200-RTRFT-NUT	Retro-Fit Cap Nut	33.00
Ⓢ Z1200-SPLY-SPRT-UR	Flush Valve Supply Support for Urinals	66.00
Ⓢ Z1200-SPLY-SPRT-WC	Flush Valve Supply Support for Water Closets	66.00
Z1200-VP-WRNCH	Wrench for Vandal-Proof Screws	20.00
Z1200-VP-HRDWR-1/4	1/4" Vandal-Proof Cap Nuts (1 Set)	100.00
Z1200-VP-HRDWR-3/8	3/8" Vandal-Proof Cap Nuts (1 Set)	100.00
Z1200-VP-HRDWR-5/8	5/8" Vandal-Proof Cap Nuts (1 Set)	100.00



Ⓢ This symbol denotes a product that is engineered to reduce installation and rework time.
For Additional System Tools See "Z1200 Carrier Tools and Accessories" on page 222

*Regularly furnished unless otherwise specified.
For additional product information, please visit www.zurn.com

Ⓒ Z1201-N EZCARRY® ADJUSTABLE HORIZONTAL HIGH PERFORMANCE SIPHON JET – NO-HUB SERIES



ENGINEERING SPECIFICATION

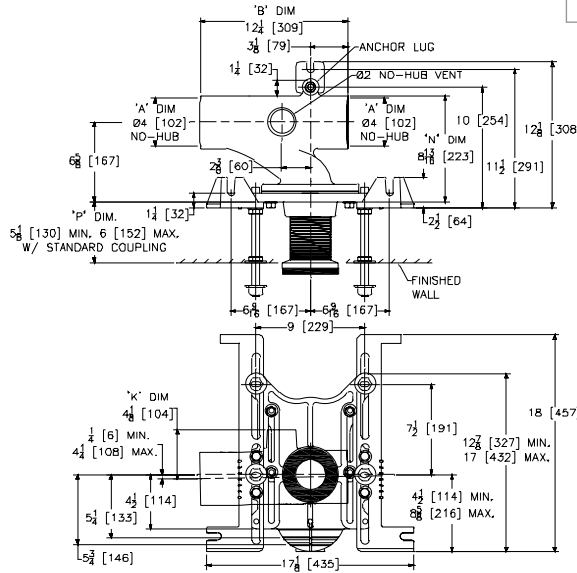
Zurn Z1201-N() EZCarry® horizontal siphon jet water closet carrier system features high performance waterway and () no-hub connections. System includes Dura-Coated cast iron right-hand, left-hand, or double main fitting with hydro-mechanically optimized sweep and extended 2" vent, adjustable gasketed faceplate, floor mounted pre-fab slotted foot supports with top anchoring pre-fab support base, heavy-duty 1/2" rear anchor tie down, fixture bolts, trim, stud protectors, bonded Neo-Seal gasket, and corrosion resistant adjustable 3" diameter x 6" coupling with integral test cap designed to increase flow velocity and line carry. EZCarry system complies with the requirements of ASME A112.6.1M, up to a 500 lb static load rate.

Patented

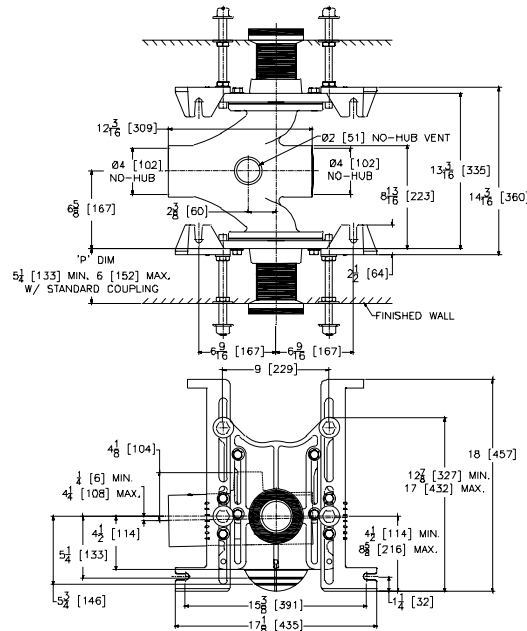
NOTES

1. Cut 4" adjustable coupling minimum "P" dimension obtainable = 2". EZ-Set™ coupling, minimum "P" dimension obtainable = 4-1/4" or 2-1/16" for 12" NPT.
2. Feet bolted to floor using minimum 1/2" diameter anchors and back slots on carrier feet.
3. Rear anchor foot required for secure installation.

Z1201-NR4 (Single)



Z1201-ND4 (Double)



*Regularly furnished unless otherwise specified.

For additional product information, please visit www.zurn.com

Ⓒ This symbol denotes a product that is engineered to reduce installation and rework time.

For Additional System Tools See "Z1200 Carrier Tools and Accessories" on page 222

🕒 **Z1201-N EZCARRY® ADJUSTABLE HORIZONTAL HIGH PERFORMANCE SIPHON JET – NO-HUB SERIES**

Product Number	Dimensions in inches [mm]				Approximate Weight lb [kg]
	A	B	K	N	
Z1201-NL3	3 [76]	11-1/2 [292]	4-7/16 [113]	7-3/8 [187]	55 [25]
Z1201-NR3				9-3/4 [248]	101 [46]
Z1201-ND3					
Z1201-NL4	4 [102]	12-1/4 [311]	4-1/8 [105]	8-13/16 [224]	58 [26]
Z1201-NR4					
Z1201-ND4					

PREFIXES	DESCRIPTION	SINGLE	DOUBLE
Z1201*	D.C.C.I. System with 4" Adjustable Coupling	Combine with Fitting Type for Pricing	
ZQ1201	D.C.C.I. System with NPT Faceplate Non-Adjustable Coupling		
FITTING TYPE			
-NL3	3" No-Hub Left-Hand Inlet with Flow to Right	823.00	-
-NR3	3" No-Hub Right-Hand Inlet with Flow to Left	823.00	-
-ND3	3" No-Hub Back-to-Back Inlet (Double)	-	1,422.00
-NL4	4" No-Hub Left-Hand Inlet with Flow to Right	823.00	-
-NR4	4" No-Hub Right-Hand Inlet with Flow to Left	823.00	-
-ND4	4" No-Hub Back-to-Back Inlet (Double)	-	1,422.00
SUFFIXES		ADD	
-A	Auxiliary Support Assembly (Required For 'P' Dim. Greater than 18")	551.00	1,101.00
-CC	Corrosion Resistant Cast Iron Coupling (2-1/4" to 12")	N/C	N/C
🕒 -CE	EZ-SET™ Coupling (6" or 12" standard length)	55.00	110.00
	Custom length greater than 12" - Per Inch (Specify Length)	75.00	150.00
-CL	Custom Length Standard Coupling with Integral Test Cap (Specify Length 4", 8", 10" or 12")	N/C	N/C
🕒 -CS	2-1/4" Polymer Coupling with Integral Test Cap	N/C	N/C
-G	Galvanized Cast Iron	533.00	1,062.00
-JC	2" Auxiliary Inlet with 1/8" Bend (1NL4, 1NR4 Only)	269.00	-
-M	Auxiliary Foot Support (Required For 'P' Dim. 7" - 18")	240.00	479.00
🕒 -RYK17	One Piece Unistrut Pre-Fab Foot Support	40.00	80.00
-VP	Vandal-Proof Trim	139.00	279.00
🕒 -45	Finishing Frame for Siphon Jet System	53.00	107.00
🕒 -50	Flush Valve Supply Support for Water Closet	56.00	112.00
		DEDUCT	
-F	Floor Mounted, Back Outlet Fixture Support	-117.00	-234.00



🕒 Z1200-EZCUTGUIDE - 202.00+

*Image showing old style carrier



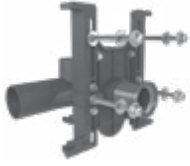
Z1200-CPLGWRNCH-3 - 86.00

🕒 This symbol denotes a product that is engineered to reduce installation and rework time. For Additional System Tools See "Z1200 Carrier Tools and Accessories" on page 222

*Regularly furnished unless otherwise specified. For additional product information, please visit www.zurn.com

INTRO
ROOF DRAINS
FLOOR DRAINS
T, P, BW VALVES
INTERCEPTORS
CARRIERS
HYDRANTS
CLEANOUTS
WHA
SS DRAINS
FAB SS DRAINS
SANI-FLOOR
TECH INFO

⌚ Z1201-H EZCARRY® ADJUSTABLE HORIZONTAL HIGH PERFORMANCE SIPHON JET – HUB AND SPIGOT SERIES



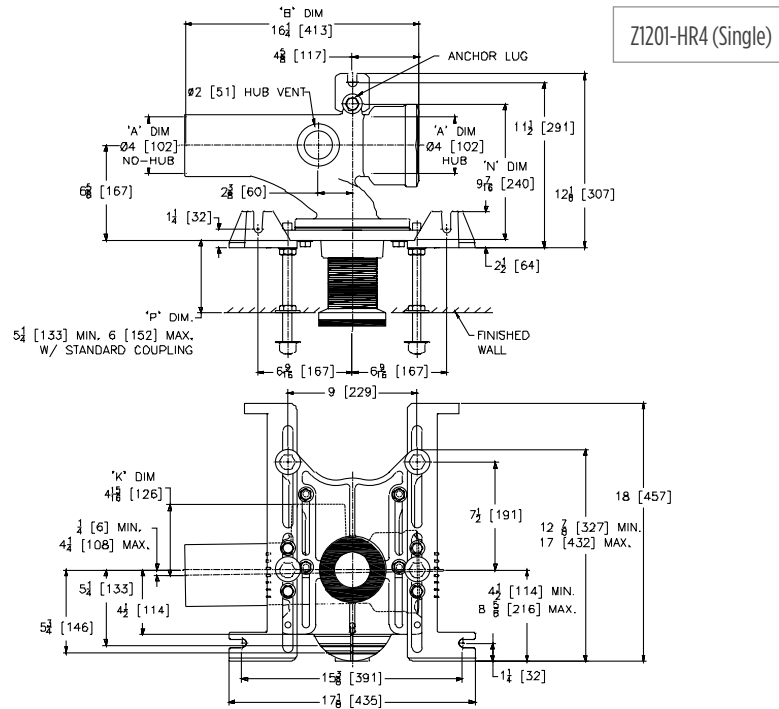
Patented

ENGINEERING SPECIFICATION

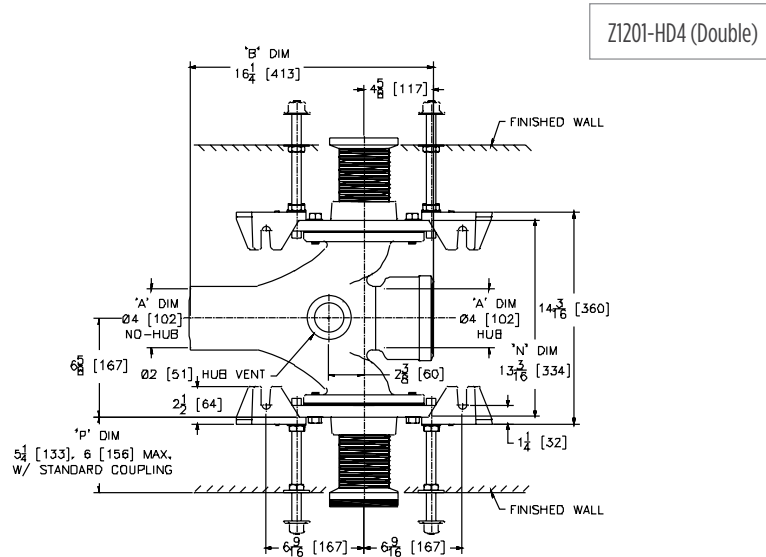
Zurn Z1201-H() EZCARRY® horizontal siphon jet water closet carrier system features high performance waterway and 4" hub and spigot connections. System includes Dura-Coated cast iron right-hand, left-hand, or double main fitting with hydro-mechanically optimized sweep and extended 2" vent, adjustable gasketed faceplate, floor mounted pre-fab slotted foot supports with top anchoring pre-fab support base, heavy-duty 1/2" rear anchor tie down, fixture bolts, trim, stud protectors, bonded Neo-Seal gasket, and corrosion resistant adjustable 3" diameter x 6" coupling with integral test cap designed to increase flow velocity and line carry. EZCARRY® system complies with the requirements of ASME A112.6.1M, up to a 500 lb static load rating.

NOTES

1. Cut 4" adjustable coupling minimum "P" dimension obtainable = 2". EZ-Set™ coupling, minimum "P" dimension obtainable = 4-1/4" or 2-1/16" for 12" NPT.
2. Feet bolted to floor using minimum 1/2" diameter anchors and back slots on carrier feet.
3. Rear anchor foot required for secure installation.



Z1201-HR4 (Single)



Z1201-HD4 (Double)

*Regularly furnished unless otherwise specified.

For additional product information, please visit www.zurn.com

⌚ This symbol denotes a product that is engineered to reduce installation and rework time.

For Additional System Tools See "Z1200 Carrier Tools and Accessories" on page 222

Ⓢ Z1201-H EZCARRY® ADJUSTABLE HORIZONTAL HIGH PERFORMANCE SIPHON JET – HUB AND SPIGOT SERIES

Product Number	Dimensions in inches [mm]				Approximate Weight lb [kg]
	A	B	K	N	
Z1201-HL4	4 [102]	13-3/4 [349]	4-5/16 [110]	9-1/2 [241]	64 [29]
Z1201-HR4			6-1/8 [156]	13-3/16 [351]	109 [49]
Z1201-HD4					

PREFIXES	DESCRIPTION	SINGLE	DOUBLE
Z1201*	D.C.C.I. System with 4" Adjustable Coupling	Combine with Fitting Type for Pricing	
ZQ1201	D.C.C.I. System with NPT Faceplate, Non-Adjustable Coupling		
FITTING TYPE			
Ⓢ -HL4	4" Hub & Spigot, Left-Hand Inlet with Flow to Right	823.00	-
-HR4	4" Hub & Spigot, Right-Hand Inlet with Flow to Left	823.00	-
-HD4	4" Hub & Spigot Back-to-Back Inlet (Double)	-	1,422.00
SUFFIXES		ADD	
-A	Auxiliary Support Assembly (Required For 'P' Dim. Greater than 18")	551.00	1,101.00
Ⓢ -CC	Corrosion Resistant Cast Iron Coupling (2-1/4" to 12")	N/C	N/C
-CE	EZ-SET™ Coupling (6" or 12" standard length) Custom length greater than 12" - Per Inch (Specify Length)	55.00	110.00
Ⓢ -CL	Custom Length Standard Coupling with Integral Test Cap (Specify Length 4", 8", 10" or 12")	N/C	N/C
-CS	2-1/4" Polymer Coupling with Integral Test Cap	N/C	N/C
-G	Galvanized Cast Iron	533.00	1,062.00
-M	Auxiliary Foot Support (Required For 'P' Dim. 7" thru 18")	240.00	479.00
Ⓢ -RYK17	One Piece Unistrut Pre-Fab Foot Support	40.00	80.00
-VP	Vandal-Proof Trim	139.00	279.00
Ⓢ -45	Finishing Frame for Siphon Jet System	53.00	107.00
Ⓢ -50	Flush Valve Supply Support for Water Closet	56.00	112.00
		DEDUCT	
-F	Floor Mounted, Back Outlet Fixture Support	-117.00	-234.00



Ⓢ Z1200-EZCUTGUIDE - 202.00+

*Image showing old style carrier

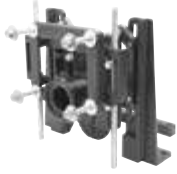


Z1200-CPLGWRNCH-3 - 86.00

Ⓢ This symbol denotes a product that is engineered to reduce installation and rework time.
For Additional System Tools See "Z1200 Carrier Tools and Accessories" on page 222

*Regularly furnished unless otherwise specified.
For additional product information, please visit www.zurn.com

Z1201-N-XB EZCARRY® BARIATRIC CARRIER – 1000 LB ADJUSTABLE HORIZONTAL SIPHON JET – NO-HUB SERIES



Patented

ENGINEERING SPECIFICATION

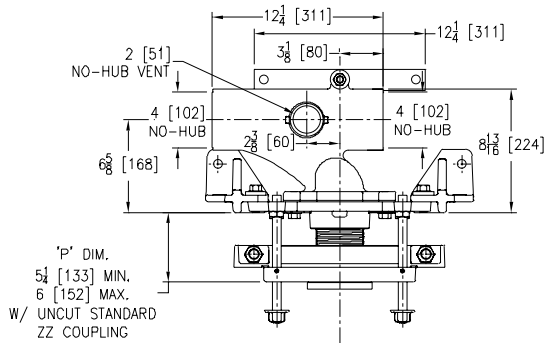
Zurn Z1201-N(-)-XB EZCarry® bariatric horizontal siphon jet water closet carrier system features high performance Dura-Coated cast iron main fitting with hydromechanically optimized sweep, 4" no-hub connections, and extended 2" vent. Corrosion resistant adjustable cast iron coupling is designed to increase flow velocity and line carry. Labor saving Neo-Seal bonded gasket optimizes flow performance, while reducing installation steps. Complete system includes an adjustable, gasketed faceplate, floor mounted foot supports, rigid support frame assembly, extra heavy-duty 1/2" rear anchor tie down, fixture bolts, trim, and stud protectors. EZCarry® XB system complies with all applicable requirements of ASME A112.6.1M up to a 1000 lb maximum static load.

NOTES

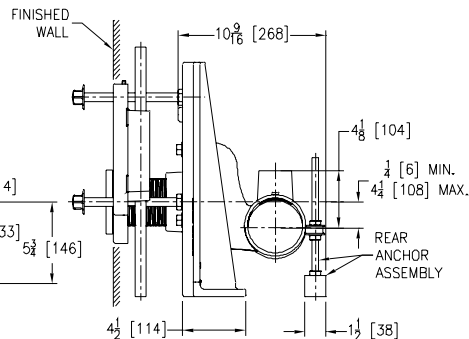
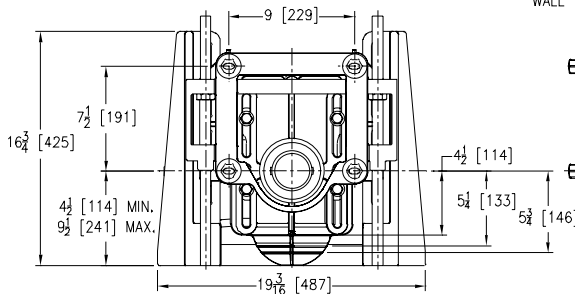
1. Cut 4" adjustable coupling minimum 'P' dimension obtainable = 3".
2. Feet bolted to floor using minimum 1/2" diameter anchors.
3. Rear anchor assembly required for secure installation.
4. Floor anchors must each be able to withstand a pull-out force of 748 lb.
5. Pull-out forces are calculated values with standard coupling assembly. No safety factor has been applied. See Form #C38 for more information.

Product Number	Approximate Weight lb [kg]
Z1201-NL4-XB	100 [45]
Z1201-NR4-XB	
Z1201-ND4-XB	173 [78]

PREFIXES	DESCRIPTION	SINGLE	DOUBLE
Z1201*	D.C.C.I. System with 4" Adjustable Coupling	Combine with Fitting Type for Pricing	
FITTING TYPE			
-NL4-XB	4" No-Hub, Left-Hand Inlet with Flow to Right	1,629.00	-
-NR4-XB	4" No-Hub, Right-Hand Inlet with Flow to Left	1,629.00	-
-ND4-XB	4" No-Hub, Back-to-Back Inlet (Double)	-	2,961.00
SUFFIXES		ADD	
-CC	Corrosion Resistant Cast Iron Coupling (2-1/4" thru 12")	N/C	N/C
-G	Galvanized Cast Iron	533.00	1,062.00
-JC	2" Auxiliary Inlet with 1/8" Bend	269.00	-
-VP	Vandal-Proof Trim	139.00	279.00
Ⓢ -50	Flush Valve Supply Support for Water Closet	56.00	112.00



Z1201-NR4-XB (Single)



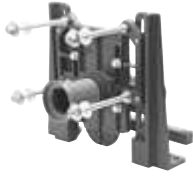
*Regularly furnished unless otherwise specified.

For additional product information, please visit www.zurn.com

Ⓢ This symbol denotes a product that is engineered to reduce installation and rework time.

For Additional System Tools See "Z1200 Carrier Tools and Accessories" on page 222

Z1201-N-XH EZCARRY® EXTRA HEAVY-DUTY 750 LB ADJUSTABLE HORIZONTAL SIPHON JET – NO-HUB SERIES



Patented

ENGINEERING SPECIFICATION

Zurn Z1201-N(-)-XH EZCarry® extra heavy-duty horizontal siphon jet water closet carrier system features high performance Dura-Coated cast iron main fitting with hydro-mechanically optimized sweep, 4" no-hub connections, and extended 2" vent. Corrosion resistant adjustable 3" diameter x 6" coupling with integral test cap is designed to increase flow velocity and line carry. Labor saving Neo-Seal bonded gasket optimizes flow performance, while reducing installation steps. Complete system includes an adjustable, gasketed faceplate, floor mounted foot supports, extra heavy-duty 1/2" rear anchor tie down, fixture bolts, trim, and stud protectors. EZCarry® XH system complies with all applicable requirements of ASME A112.6.1M up to a 750 lb maximum static load.

NOTES

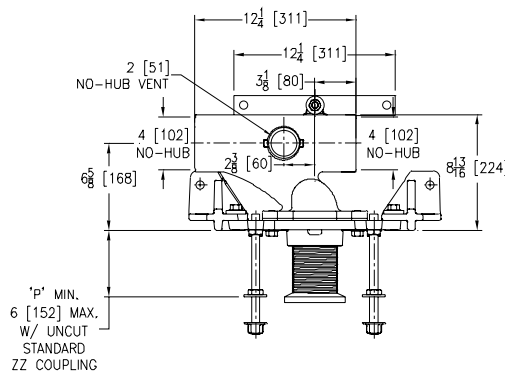
1. Cut 4" adjustable coupling minimum 'P' dimension obtainable = 2". Cut ZQ coupling minimum 'P' dimension obtainable = 5".
2. Feet bolted to floor using minimum 1/2" diameter anchors.
3. Rear anchor assembly required for secure installation.
4. Floor anchors must each be able to withstand a pull-out force of 820 lb.
5. Pull-out forces are calculated values with standard coupling assembly. No safety factor has been applied. See Form #C38 for more information.

Product Number	Approximate Weight lb [kg]
Z1201-NL3-XH	81 [37]
Z1201-NR3-XH	138 [63]
Z1201-ND3-XH	84 [38]
Z1201-NL4-XH	84 [38]
Z1201-NR4-XH	142 [64]
Z1201-ND4-XH	142 [64]

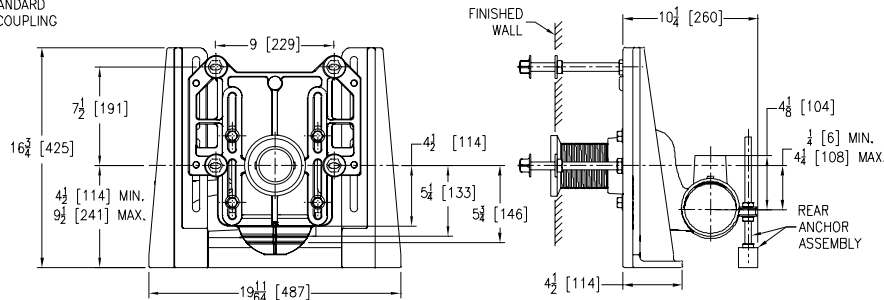
PREFIXES	SINGLE	DOUBLE
Z1201* D.C.C.I. System with 4" Adjustable Coupling	Combine with Fitting Type for Pricing	
ZQ1201 D.C.C.I. System with NPT Faceplate, Non-Adjustable Coupling		

FITTING TYPE	SINGLE	DOUBLE
-NL3-XH 3" No-Hub Left-Hand Inlet with Flow to Right	1,590.00	-
-NR3-XH 3" No-Hub Right-Hand Inlet with Flow to Left	1,590.00	-
-ND3-XH 3" No-Hub Back-to-Back Inlet (Double)	-	2,812.00
-NL4-XH 4" No-Hub Left-Hand Inlet with Flow to Right	1,493.00	-
-NR4-XH 4" No-Hub Right-Hand Inlet with Flow to Left	1,493.00	-
-ND4-XH 4" No-Hub Back-to-Back Inlet (Double)	-	2,715.00

SUFFIXES	SINGLE	DOUBLE	ADD
-CC Corrosion Resistant Cast Iron Coupling (2-1/4" thru 12")	36.00	72.00	
-CE EZ-SET™ Coupling (6" or 12" standard length) Custom length greater than 12" - Per Inch (Specify Length)	55.00	110.00	
-CL Custom Length Standard Coupling with Integral Test Cap (Specify length 4", 8", 10", or 12")	66.00	131.00	
-CS 2-1/4" Polymer Coupling with Integral Test Cap	N/C	N/C	
-G Galvanized Cast Iron	533.00	1,062.00	
-JC 2" Auxiliary Inlet with 1/8" Bend	269.00	-	
-VP Vandal-Proof Trim	139.00	279.00	
ⓐ -45 Finishing Frame for Siphon Jet System	52.00	105.00	
ⓑ -50 Flush Valve Supply Support for Water Closet	56.00	112.00	



Z1201-NR4-XH (Single)



ⓐ This symbol denotes a product that is engineered to reduce installation and rework time. For Additional System Tools See "Z1200 Carrier Tools and Accessories" on page 222

*Regularly furnished unless otherwise specified. For additional product information, please visit www.zurn.com

Ⓒ ZE1201-N EZCARRY® ADJUSTABLE HORIZONTAL SIPHON JET WITH ELONGATED FITTING – NO-HUB SERIES



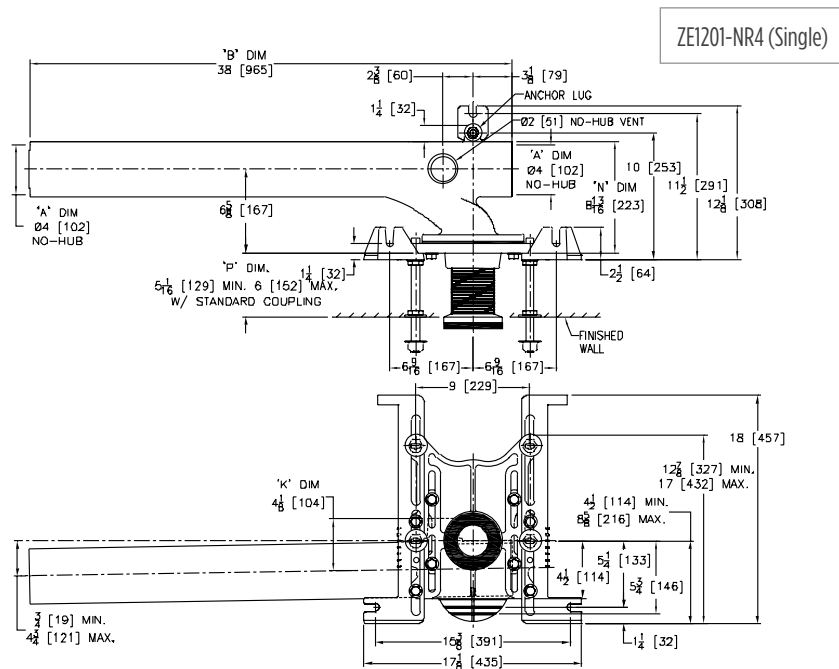
Patent Pending

ENGINEERING SPECIFICATION

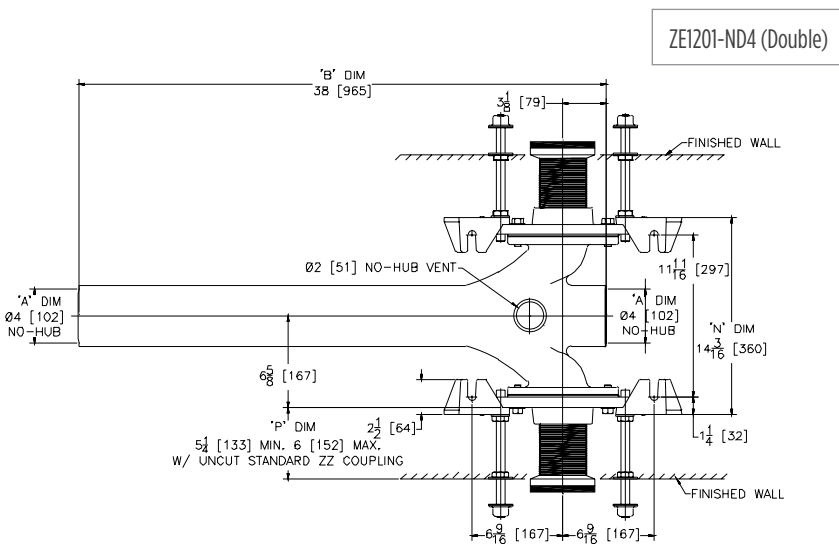
Zurn ZE1201-N() EZCARRY® horizontal siphon jet water closet carrier system features high performance Dura-Coated cast iron main fitting with hydromechanically optimized sweep, 4" no-hub connections, 38" barrel for stall-to-stall direct connection, and extended 2" vent. Corrosion resistant adjustable 3" diameter x 6" coupling with integral test cap is designed to increase flow velocity and line carry. Labor saving Neo-Seal bonded gasket optimizes flow performance, while reducing installation steps. Complete system includes an adjustable, gasketed faceplate, floor mounted foot supports with top anchoring pre-fab support base, heavy-duty 1/2" rear anchor tie down, fixture bolts, trim, and stud protectors. EZCARRY® narrow wall system complies with all applicable requirements of ASME A112.6.1M up to a 500 lb maximum static load.

NOTES

1. Cut 4" adjustable coupling minimum 'P' dimension obtainable = 2". EZ-Set™ coupling, minimum 'P' dimension obtainable = 4-1/4" or 2-1/16" for 12" NPT.
2. Feet bolted to floor using minimum 1/2" diameter anchors.
3. Rear anchor foot required for secure installation.



ZE1201-NR4 (Single)



ZE1201-ND4 (Double)

*Regularly furnished unless otherwise specified.

For additional product information, please visit www.zurn.com

Ⓒ This symbol denotes a product that is engineered to reduce installation and rework time.

For Additional System Tools See "Z1200 Carrier Tools and Accessories" on page 222

Ⓢ ZE1201-N EZCARRY® ADJUSTABLE HORIZONTAL SIPHON JET WITH ELONGATED FITTING – NO-HUB SERIES

Product Number	Approximate Weight lb [kg]
ZE1201-NL4	97 [44]
ZE1201-NR4	
ZE1201-ND4	119 [54]



Z1200-CPLGWRNCH-3 - 86.00

PREFIXES	DESCRIPTION	SINGLE	DOUBLE
ZE1201*	D.C.C.I. Elongated Fitting System with 4" Adjustable Coupling	Combine with Fitting Type for Pricing	
ZQE1201	D.C.C.I. System with NPT Faceplate, Non-Adjustable Coupling		
FITTING TYPE			
-NL4	4" No-Hub Left-Hand Inlet with Flow to Right	1,189.00	-
-NR4	4" No-Hub Right-Hand Inlet with Flow to Left	1,189.00	-
-ND4	4" No-Hub Back-to-Back Inlet (Double)	-	2,065.00
SUFFIXES		ADD	
-A	Auxiliary Support Assembly (Required For 'P' Dim. Greater than 18")	341.00	1,101.00
-CC	Corrosion Resistant Cast Iron Coupling (2-1/4" thru 12")	36.00	72.00
Ⓢ -CE	EZ-SET™ Coupling (6" or 12" standard length) Custom length greater than 12" - Per Inch (Specify Length)	55.00 75.00	110.00 150.00
-CL	Custom Length Standard Coupling with Integral Test Cap (Specify Length 4", 8", 10" or 12")	66.00	131.00
Ⓢ -CS	2-1/4" Polymer Coupling with Integral Test Cap	N/C	N/C
-G	Galvanized Cast Iron	533.00	1,062.00
-M	Auxiliary Foot Support (Required For 'P' Dim. 7" thru 18")	206.00	477.00
Ⓢ -RYK17	One Piece Unistrut Pre-Fab Foot Support	40.00	80.00
-VP	Vandal-Proof Trim	139.00	279.00
Ⓢ -45	Finishing Frame for Siphon Jet System	53.00	107.00
Ⓢ -50	Flush Valve Supply Support for Water Closet	56.00	112.00
		DEDUCT	
-F	Floor Mounted, Back Outlet Fixture Support		

Ⓢ This symbol denotes a product that is engineered to reduce installation and rework time. For Additional System Tools See "Z1200 Carrier Tools and Accessories" on page 222

*Regularly furnished unless otherwise specified. For additional product information, please visit www.zurn.com

ZE1201-H EZCARRY® ADJUSTABLE HORIZONTAL SIPHON JET WITH ELONGATED FITTING – HUB AND SPIGOT SERIES



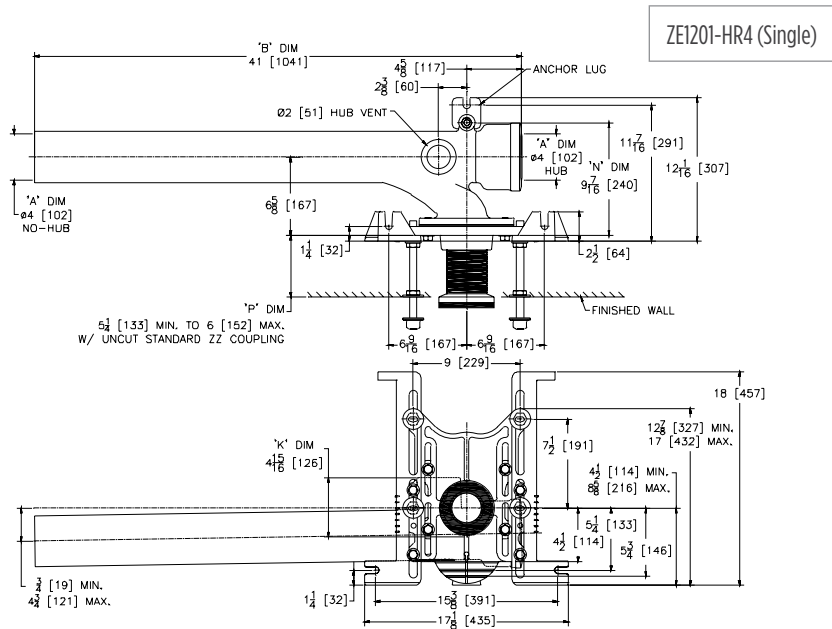
Patent Pending

ENGINEERING SPECIFICATION

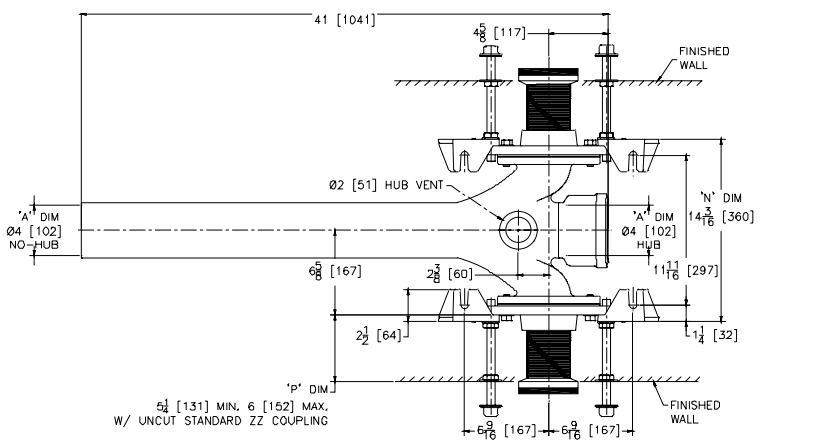
Zurn ZE1201-H() EZCarry® horizontal siphon jet water closet carrier system, with high performance Dura-Coated cast iron main fitting with hydromechanically optimized sweeps, 4" Hub & Spigot connections, 3/8" barrel for stall to stall direct connection, and extended 2" vent. Corrosion resistant adjustable 3" diameter x 6" coupling with integral test cap, designed to increase flow velocity and line carry, and labor saving Neo-Seal bonded gasket optimize flow performance, while reducing installation steps. Complete system includes an adjustable, gasketed faceplate, floor mounted foot supports with top anchoring pre-fab support base, heavy-duty 1/2" rear anchor tie down, fixture bolts, trim, and stud protectors. EZCarry® narrow wall system complies with all applicable requirements of ASME A112.6.1M up to a 500 lb. maximum static load.

NOTES

1. 4" adjustable coupling minimum "P" dimension obtainable = 2". EZ-Set™ coupling, minimum 'P' dimension obtainable = 4-1/4" or 2-1/16" for 12" NPT.
2. Feet bolted to floor using minimum 1/2" diameter anchors.
3. Rear anchor foot required for secure installation.



ZE1201-HD4 (Double)



*Regularly furnished unless otherwise specified.

For additional product information, please visit www.zurn.com

Ⓢ This symbol denotes a product that is engineered to reduce installation and rework time.

For Additional System Tools See "Z1200 Carrier Tools and Accessories" on page 222

Ⓢ ZE1201-H EZCARRY® ADJUSTABLE HORIZONTAL SIPHON JET WITH ELONGATED FITTING – HUB AND SPIGOT SERIES

Product Number	Approximate Weight lb [kg]
ZE1201-HL4	99 [45]
ZE1201-HR4	
ZE1201-HD4	125 [57]



Z1200-CPLGWRNCH-3 - 86.00

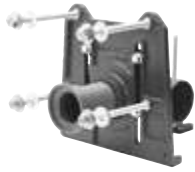
PREFIXES	DESCRIPTION	SINGLE	DOUBLE
ZE1201*	D.C.C.I. System with 4" Adjustable Coupling	Combine with Fitting Type for Pricing	
ZQE1201	D.C.C.I. System with NPT Faceplate, Non-Adjustable Coupling		
FITTING TYPE			
-HL4	4" Caulk, Right-Hand Inlet with Flow to Left	1,189.00	-
-HR4	4" Caulk, Left-Hand Inlet with Flow to Right	1,189.00	-
-HD4	4" Caulk, Back-to-Back Inlet (Double)	-	2,065.00
SUFFIXES		ADD	
-A	Auxiliary Support Assembly (Required For 'P' Dim. Greater than 18")	551.00	1,101.00
-CC	Corrosion Resistant Cast Iron Coupling (2-1/4" thru 12")	36.00	72.00
Ⓢ -CE	EZ-SET™ Coupling (6" or 12" standard length)	55.00	110.00
	Custom length greater than 12" - Per Inch (Specify Length)	75.00	150.00
-CL	Custom Length Standard Coupling with Integral Test Cap (Specify Length 4", 8", 10" or 12")	66.00	131.00
Ⓢ -CS	2-1/4" Polymer Coupling with Integral Test Cap	N/C	N/C
-G	Galvanized Cast Iron	533.00	1,062.00
-M	Auxiliary Foot Support (Required For 'P' Dim. 7" thru 18")	206.00	477.00
Ⓢ -RYK17	One Piece Unistrut Pre-Fab Foot Support	40.00	80.00
-VP	Vandal-Proof Trim	139.00	279.00
Ⓢ -45	Finishing Frame for Siphon Jet System	53.00	107.00
Ⓢ -50	Flush Valve Supply Support for Water Closet	56.00	112.00
		DEDUCT	
-F	Floor Mounted, Back Outlet Fixture Support	N/C	N/C

Ⓢ This symbol denotes a product that is engineered to reduce installation and rework time. For Additional System Tools See "Z1200 Carrier Tools and Accessories" on page 222

*Regularly furnished unless otherwise specified. For additional product information, please visit www.zurn.com

INTRO
ROOF DRAINS
FLOOR DRAINS
T, P, BW VALVES
INTERCEPTORS
CARRIERS
HYDRANTS
CLEANOUTS
WHA
SS DRAINS
FAB SS DRAINS
SANI-FLOOR
TECH INFO

ZF1201-N EZCARRY® HORIZONTAL SIPHON JET ONE-PIECE CARRIER – NO-HUB SERIES



Patent Pending

ENGINEERING SPECIFICATION

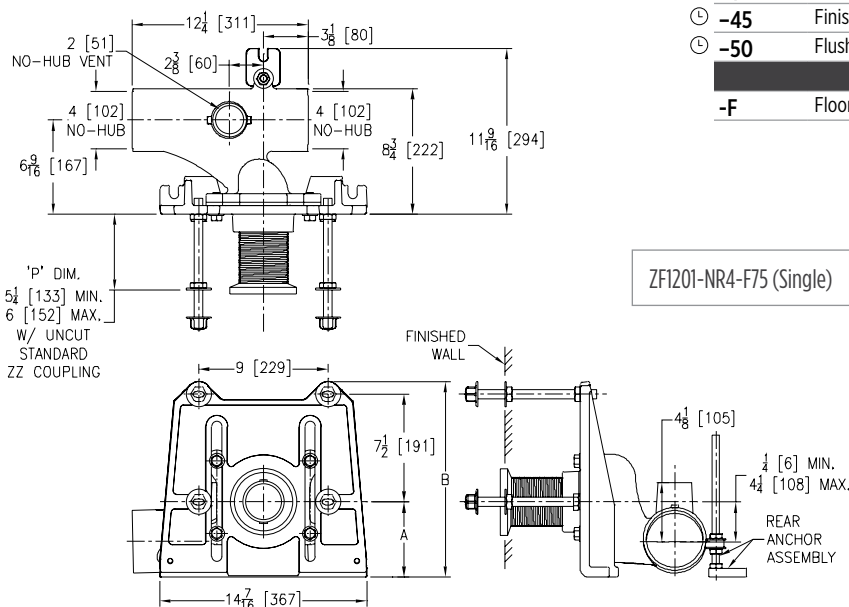
Zurn ZF1201-N() EZCarry® one-piece combination floor mounted foot/faceplate horizontal siphon jet water closet carrier system, supplied for () rough-in height, features high performance Dura-Coated cast iron main fitting with hydro-mechanically optimized sweep, 4" no-hub connections, and extended 2" vent. Corrosion resistant adjustable 3" diameter x 6" coupling with integral test cap is designed to increase flow velocity and line carry. Labor saving Neo-Seal bonded gasket optimize flow performance, while reducing installation steps. Complete system includes one-piece combination foot/faceplate, heavy-duty 1/2" rear anchor tie down, fixture bolts, trim and stud protectors. EZCarry® one-piece combination floor mounted foot/faceplate system complies with all applicable requirements of ASME A112.6.1M up to a 500 lb maximum static load.

NOTES

1. Cut 4" adjustable coupling minimum "P" dimension obtainable = 2". EZ-Set™ coupling, minimum 'P' dimension obtainable = 4-1/4" or 2-1/16" for 12" NPT.
2. Faceplate bolted to floor using minimum 1/2" diameter anchors.
3. Rear anchor assembly required for secure installation.

Product Number	Dimensions in inches [mm]		Approximate Weight lb [kg]
	A	B	
ZF1201-NL4-F55	5-1/2 [140]	13-7/8 [352]	72 [33]
ZF1201-NR4-F55			93 [42]
ZF1201-ND4-F55			76 [34]
ZF1201-NL4-F75	7-1/2 [191]	15-7/8 [403]	76 [34]
ZF1201-NR4-F75			100 [45]
ZF1201-ND4-F75			

PREFIXES	DESCRIPTION	SINGLE	DOUBLE
ZF1201*	D.C.C.I. System with 4" Adjustable Coupling	Combine with Fitting Type for Pricing	
ZQF1201	D.C.C.I. System with NPT Faceplate Non-Adjustable Coupling		
FITTING TYPE			
-NL4-F55	4" No-Hub Left-Hand Inlet with Flow to Right w/ 5-1/2" Non-Adjustable Rough-In Height	1,181.00	-
-NR4-F55	4" No-Hub Right Hand Inlet with Flow to Left w/ 5-1/2" Non-Adjustable Rough-In Height	1,181.00	-
-ND4-F55	4" No-Hub Back-to-back Double Inlet with 5-1/2" Non-Adjustable Rough-In Height	-	2,212.00
-NL4-F75	4" No-Hub Left Hand Inlet with Flow to Right w/ 7-1/2" Non-Adjustable Rough-In Height	1,181.00	-
-NR4-F75	4" No-Hub Right Hand Inlet with Flow to Left w/ 7-1/2" Non-Adjustable Rough-In Height	1,181.00	-
-ND4-F75	4" No-Hub Back-to-back Double Inlet with 7-1/2" Non-Adjustable Rough-In Height	-	2,212.00
SUFFIXES		ADD	
-A	Auxiliary Support Assembly (Required For 'P' Dim. Greater than 18")	643.00	1,284.00
-CC	Corrosion Resistant Cast Iron Coupling (2-1/4" thru 12")	36.00	72.00
Ⓢ -CE	EZ-SET™ Coupling (6" or 12" standard length) Custom length greater than 12" - Per Inch (Specify Length)	55.00 75.00	110.00 150.00
-CL	Custom Length Standard Coupling with Integral Test Cap (Specify Length 4", 8", 10" or 12")	76.00	151.00
Ⓢ -CS	2-1/4" Polymer Coupling with Integral Test Cap	N/C	N/C
-G	Galvanized Cast Iron	693.00	1,384.00
-JC	2" Auxiliary Inlet with 1/8" Bend	269.00	-
-M	Auxiliary Foot Support (Required For 'P' Dim. 10" thru 18")	242.00	481.00
-VP	Vandal-Proof Trim	100.00	199.00
Ⓢ -45	Finishing Frame for Siphon Jet System	61.00	121.00
Ⓢ -50	Flush Valve Supply Support for Water Closet	66.00	130.00
		DEDUCT	
-F	Floor Mounted, Back Outlet Fixture Support		NC



*Regularly furnished unless otherwise specified.

For additional product information, please visit www.zurn.com

Ⓢ This symbol denotes a product that is engineered to reduce installation and rework time.

For Additional System Tools See "Z1200 Carrier Tools and Accessories" on page 222

⌚ **ZN1201-N EZCARRY® ADJUSTABLE HORIZONTAL SIPHON JET – NO-HUB NARROW WALL SYSTEM (9-3/8" DEPTH FRONT TO BACK)**



Patent Pending

ENGINEERING SPECIFICATION

Zurn ZN1201-N () 4 EZCarry® narrow wall horizontal siphon jet water closet carrier system features high performance Dura-Coated cast iron main fitting with hydro-mechanically optimized sweep, 4" no-hub connections, and extended 2" vent. Corrosion resistant adjustable 3" diameter x 6" coupling with integral test cap is designed to increase flow velocity and line carry. Labor saving Neo-Seal bonded gasket optimize flow performance while reducing installation steps. Complete system includes an adjustable, gasketed faceplate, floor mounted foot supports, fixture bolts, trim, and stud protectors. EZCarry® narrow wall system complies with all applicable requirements of ASME A112.6.1M up to a 500 lb maximum static load.

NOTES

1. Cut 4" adjustable coupling minimum 'P' dimension obtainable = 1-1/4".
2. Carrier floor anchors must each be able to withstand a pull-out force of 1741 lb.
3. Pull-out forces are calculated values with standard coupling assembly. No safety factor has been applied. See Form #C38 for more information.

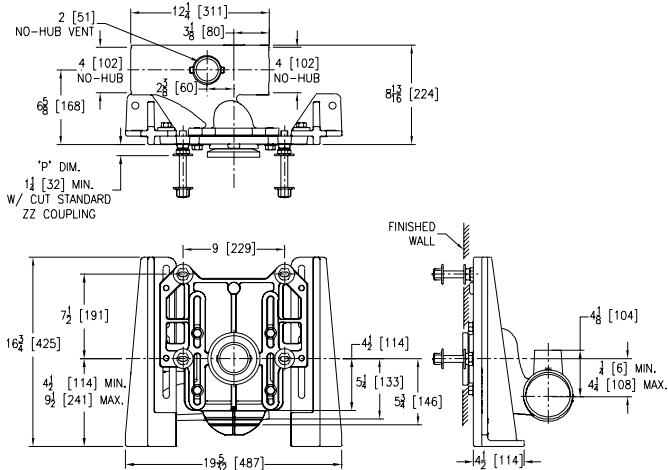
Product Number	Approximate Weight lb [kg]
ZN1201-NL4	75 [34]
ZN1201-NR4	
ZN1201-ND4	140 [64]

PREFIXES	DESCRIPTION	SINGLE	DOUBLE
ZN1201*	D.C.C.I. System with 4" Adjustable Coupling	Combine with Fitting Type for Pricing	

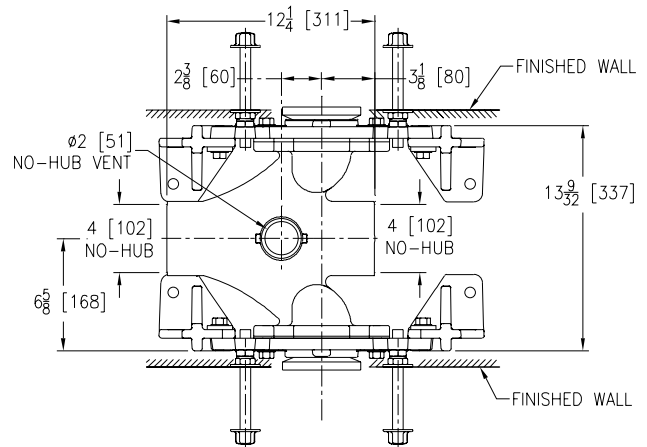
FITTING TYPE			
-NL4	4" No-Hub Left-Hand Inlet w/Flow to Right for Narrow Wall	823.00	-
-NR4	4" No-Hub Right-Hand Inlet w/Flow to Left for Narrow Wall	823.00	-
-ND4	4" No-Hub Back-to-Back Inlet (Double for Narrow Wall)	-	1,422.00

SUFFIXES		SINGLE	DOUBLE
-CC	Corrosion Resistant Cast Iron Coupling (2-1/4" thru 12")	38.00	76.00
⌚ -CS	2-1/4" Polymer Coupling with Integral Test Cap	N/C	N/C
-G	Galvanized Cast Iron	693.00	1,384.00
-JC	2" Auxiliary Inlet with 1/8" Bend	269.00	-
-VP	Vandal-Proof Trim	139.00	279.00
⌚ -50	Flush Valve Supply Support for Water Closet	56.00	112.00

ZN1201-NR4 (Single)



ZN1201-ND4 (Double)



⌚ This symbol denotes a product that is engineered to reduce installation and rework time. For Additional System Tools See "Z1200 Carrier Tools and Accessories" on page 222

*Regularly furnished unless otherwise specified. For additional product information, please visit www.zurn.com

Ⓢ Z1202-N EZCARRY® ADJUSTABLE VERTICAL HIGH PERFORMANCE SIPHON JET – NO-HUB SERIES



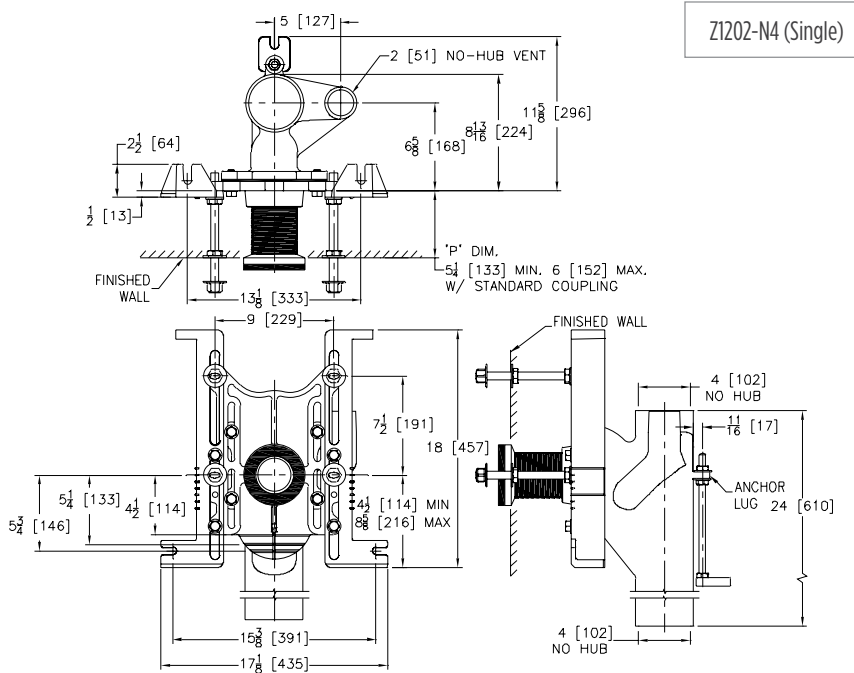
Patented

ENGINEERING SPECIFICATION

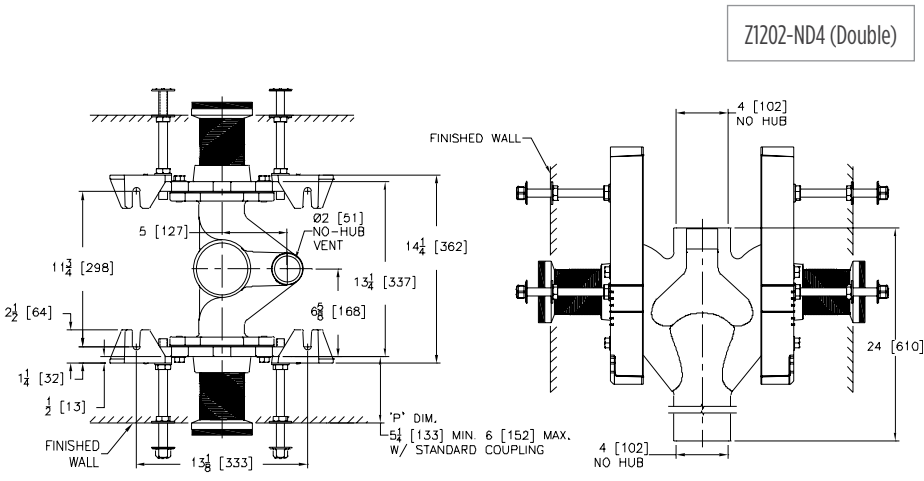
Zurn Z1202-(N) EZCarry® vertical siphon jet water closet carrier system features high performance waterway and 4" no-hub connections. System includes Dura-Coated cast iron right-hand, left-hand, or double main fitting with hydro-mechanically optimized sweep and extended 2" vent, adjustable gasketed faceplate, floor mounted pre-fab slotted foot supports with top anchoring pre-fab support base, heavy-duty 1/2" rear anchor tie down, fixture bolts, trim, stud protectors, bonded Neo-Seal gasket, and corrosion resistant adjustable 3" diameter x 6" coupling with integral test cap designed to increase flow velocity and line carry. EZCarry system complies with the requirements of ASME A112.6.1M, up to a 500 lb static load rating.

NOTES

1. Cut 4" adjustable coupling minimum "P" dimension obtainable = 2". EZ-Set™ coupling, minimum "P" dimension obtainable = 4-1/4" or 2-1/16" for 12" NPT.
2. Feet bolted to floor using minimum 1/2" diameter anchors and back slots on carrier feet.
3. Rear anchor foot required for secure installation.
4. 2" no-hub vent connection regularly furnished on right-hand side. Left-hand available when specified (Suffix -VL).
5. Auxiliary inlet available right (-JR) or left (-JL) or both sides (-JJ) when specified.



Z1202-N4 (Single)



Z1202-ND4 (Double)

*Regularly furnished unless otherwise specified.

For additional product information, please visit www.zurn.com

Ⓢ This symbol denotes a product that is engineered to reduce installation and rework time.

For Additional System Tools See "Z1200 Carrier Tools and Accessories" on page 222

🕒 Z1202-N EZCARRY® ADJUSTABLE VERTICAL HIGH PERFORMANCE SIPHON JET – NO-HUB SERIES

Product Number	Dimensions in inches [mm]								Approx. Wt. lb [kg]
	A	B	D	E	H	J	K	N	
Z1202-N4	4 [102]	-	5 [127]	6-9/16 [167]	-	24 [610]	-	8-3/4	73 [33]
Z1202-ND4		-			-		13-1/8	119 [54]	
Z1202-1NL4		-			-		8-3/4	74 [34]	
Z1202-1NR4		4 [102]	5 [127]	6-9/16 [167]	7-9/16 [192]	24 [610]	15-1/2 [394]	8-3/4	74 [34]
Z1202-1ND4								13-1/8	120 [54]
Z1202-2N4								8-3/4	78 [35]
Z1202-2ND4								13-1/8	120 [54]

PREFIXES	DESCRIPTION	SINGLE	DOUBLE
Z1202*	D.C.C.I. System with 4" Adjustable Coupling	Combine with Fitting Type for Pricing	
ZQ1202	D.C.C.I. System with NPT Faceplate Non-Adjustable Coupling		
FITTING TYPE			
-N4	4" No-Hub Stack, Single Inlet, 2" Right-Hand Vent	1,172.00	-
-ND4	4" No-Hub Stack, Double Inlets, 2" Vent	-	1,866.00
-1NL4	4" No-Hub Stack, Single Inlet, 4" Left-Hand Side Inlet, 2" Left-Hand Vent	1,306.00	-
-1NR4	4" No-Hub Stack, Single Inlet, 4" Right-Hand Side Inlet, 2" Right-Hand Vent	1,306.00	-
-1ND4	4" No-Hub Stack, Double Inlets, 4" Side Inlet, 2" Vent	-	2,030.00
-2N4	4" No-Hub Stack, Single Inlet, Two 4" Side Inlets, 2" Right-Hand Vent	1,420.00	-
-2ND4	4" No-Hub Stack, Double Inlets, Two 4" Side Inlets, 2" Vent	-	2,145.00
SUFFIXES		ADD	
-A	Auxiliary Support Assembly (Required For 'P' Dim. Greater than 18")	551.00	1,101.00
-CC	Corrosion Resistant Cast Iron Coupling (2-1/4" thru 12")	N/C	N/C
🕒 -CE	EZ-SET™ Coupling (6" or 12" standard length)	55.00	110.00
	Custom length greater than 12" - Per Inch (Specify Length)	75.00	150.00
-CL	Custom Length Standard Coupling with Integral Test Cap (Specify Length 4", 8", 10" or 12")	N/C	N/C
🕒 -CS	2-1/4" Polymer Coupling with Integral Test Cap	N/C	N/C
-G	Galvanized Cast Iron	608.00	1,216.00
-JJ	Two 2" Auxiliary Inlets (N4, ND4 Only)	298.00	595.00
-JL	2" Left-Hand Auxiliary Inlet (N4, ND4 Only)	147.00	294.00
-JR	2" Right-Hand Auxiliary Inlet (N4, ND4 Only)	147.00	294.00
-M	Auxiliary Foot Support (Required For 'P' Dim. 7" thru 18")	239.00	477.00
🕒 -RYK17	One Piece Unistrut Pre-Fab Foot Support	40.00	80.00
-VL	Left-Hand Vent Connection (N4, 1NR4, 2N4 Only)	N/C	N/C
-VP	Vandal-Proof Trim	139.00	279.00
🕒 -45	Finishing Frame for Siphon Jet System	53.00	107.00
🕒 -50	Flush Valve Supply Support for Water Closet	56.00	112.00
		DEDUCT	
-F	Floor Mounted, Back Outlet Fixture Support	-117.00	-234.00



🕒 Z1200-EZCUTGUIDE - 202.00*

*Image showing old style carrier



Z1200-CPLGWRNCH-3 - 86.00

🕒 This symbol denotes a product that is engineered to reduce installation and rework time. For Additional System Tools See "Z1200 Carrier Tools and Accessories" on page 222

*Regularly furnished unless otherwise specified. For additional product information, please visit www.zurn.com

INTRO
ROOF DRAINS
FLOOR DRAINS
T, P, BW VALVES
INTERCEPTORS
CARRIERS
HYDRANTS
CLEANOUTS
WHA
SS DRAINS
FAB SS DRAINS
SAN-FLOOR
TECH INFO

Ⓢ Z1202-H EZCARRY® ADJUSTABLE VERTICAL HIGH PERFORMANCE SIPHON JET – HUB AND SPIGOT SERIES



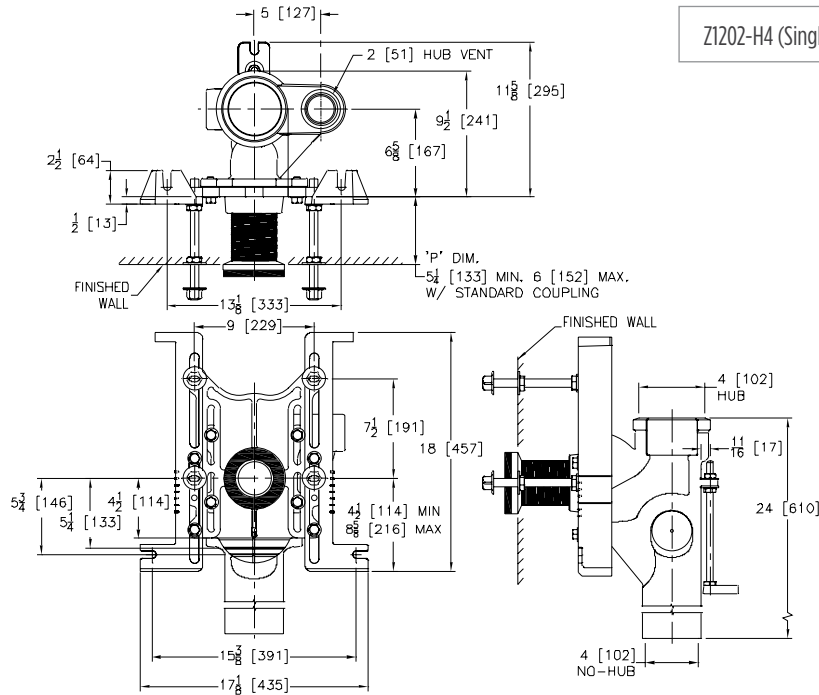
Patented

ENGINEERING SPECIFICATION

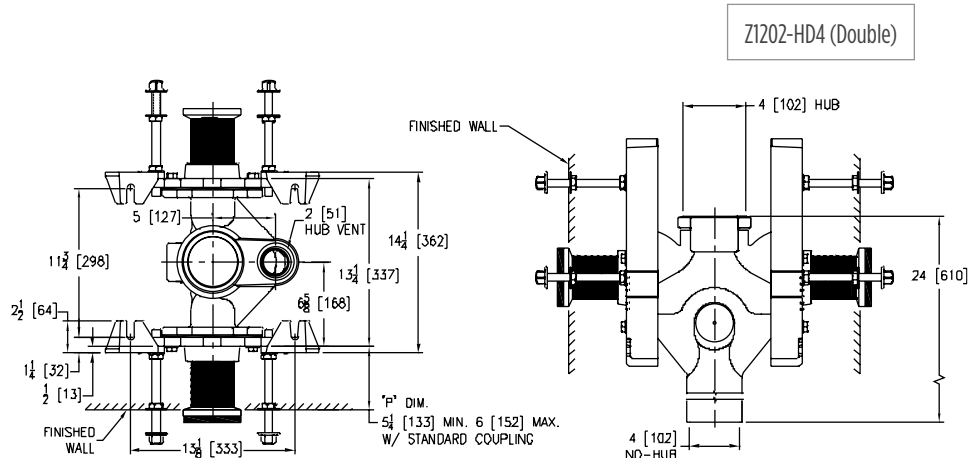
Zurn Z1202-()H EZCarry® vertical siphon jet water closet carrier system features a high performance waterway and 4" hub and spigot connections. System includes Dura-Coated cast iron right-hand, left-hand, or double main fitting with hydro-mechanically optimized sweep and extended 2" vent, adjustable gasketed faceplate, floor mounted pre-fab slotted foot supports with top anchoring pre-fab support base, heavy-duty 1/2" rear anchor tie down, fixture bolts, trim, stud protectors, bonded Neo-Seal gasket, and corrosion resistant adjustable 3" diameter x 6" coupling with integral test cap designed to increase flow velocity and line carry. EZCarry system complies with the requirements of ASME A112.6.1M, up to a 500 lb static load rating.

NOTES

1. Cut 4" adjustable coupling minimum "P" dimension obtainable = 2". EZ-Set™ coupling, minimum "P" dimension obtainable = 4-1/4" or 2-1/16" for 12" NPT.
2. Feet bolted to floor using minimum 1/2" diameter anchors and back slots on carrier feet.
3. Rear anchor foot required for secure installation.
4. 2" Hub & Spigot vent connection regularly furnished on right-hand side. Left-hand available when specified (Suffix -VL).
5. Auxiliary inlet available right (-JR) or left (-JL) or both sides (-JJ) when specified.



Z1202-H4 (Single)



Z1202-HD4 (Double)

*Regularly furnished unless otherwise specified.

For additional product information, please visit www.zurn.com

Ⓢ This symbol denotes a product that is engineered to reduce installation and rework time.

For Additional System Tools See "Z1200 Carrier Tools and Accessories" on page 222

⌚ Z1202-H EZCARRY® ADJUSTABLE VERTICAL HIGH PERFORMANCE SIPHON JET – HUB AND SPIGOT SERIES

Product Number	Dimensions in inches [mm]								Approx. Wt. lb [kg]		
	A	B	D	E	H	J	K	N			
Z1202-H4	4 [102]	-		6-9/16 [167]	-	24 [610]	-	9-7/16 [240]	79 [36]		
Z1202-HD4		-		6-11/16 [170]	-		-	13-3/8 [340]	125 [57]		
Z1202-1HL4		4 [102]		4 [102]	6-9/16 [167]		7-9/16 [192]	15-1/2 [394]	9-7/16 [240]	88 [40]	
Z1202-1HR4					6-11/16 [170]				13-3/8 [340]	132 [60]	
Z1202-1HD4					6-9/16 [167]				9-7/16 [240]	104 [47]	
Z1202-2H4					6-11/16 [170]				13-3/8 [340]	147 [67]	
Z1202-2HD4											

PREFIXES	DESCRIPTION	SINGLE	DOUBLE
Z1202*	D.C.C.I. System with 4" Adjustable Coupling	Combine with Fitting Type for Pricing	
ZQ1202	D.C.C.I. System with NPT Faceplate Non-Adjustable Coupling		
FITTING TYPE			
-H4	4" Hub and Spigot Stack, Single Inlet, 2" Right-Hand Vent	1,290.00	-
-HD4	4" Hub and Spigot Stack, Double Inlets, 2" Vent	-	2,239.00
-1HD4	4" Hub and Spigot Stack, Double Inlets, 4" Side Inlet, 2" Vent	-	2,233.00
-1HL4	4" Hub and Spigot Stack, Single Inlet, 4" Left-Hand Side Inlet, 2" Left-Hand Vent	1,437.00	-
-1HR4	4" Hub and Spigot Stack, Single Inlets, 4" Right-Hand Side Inlet, 2" Right-Hand Vent	1,437.00	-
-2H4	4" Hub and Spigot Stack, Single Inlet, Two 4" Side Inlets, 2" Right-Hand Vent	1,560.00	-
-2HD4	4" Hub and Spigot Stack, Double Inlets, Two 4" Side Inlets, 2" Vent	-	2,268.00
SUFFIXES		ADD	
-A	Auxiliary Support Assembly (Required For 'P' Dim. Greater than 18")	551.00	1,101.00
-CC	Corrosion Resistant Cast Iron Coupling (2-1/4" thru 12")	N/C	N/C
⌚ -CE	EZ-SET™ Coupling (6" or 12" standard length)	55.00	110.00
	Custom length greater than 12" - Per Inch (Specify Length)	75.00	150.00
-CL	Custom Length Standard Coupling with Integral Test Cap (Specify Length 4", 8", 10" or 12")	N/C	N/C
⌚ -CS	2-1/4" Polymer Coupling with Integral Test Cap	N/C	N/C
-G	Galvanized Cast Iron	608.00	1,216.00
-JJ	Two 2" Auxiliary Inlets (H4, HD4 Only)	-	135.00
-JL	2" Left-Hand Auxiliary Inlet (H4, HD4, 1HR4 Only)	147.00	294.00
-JR	2" Right-Hand Auxiliary Inlet (H4, HD4, 1HR4 Only)	147.00	30.00
-M	Auxiliary Foot Support (Required For 'P' Dim. 7" thru 18")	239.00	477.00
⌚ -RYK17	One Piece Unistrut Pre-Fab Foot Support	40.00	80.00
-VL	Left-Hand Vent Connection (H4, 1HR4, 2H4 Only)	N/C	N/C
-VP	Vandal-Proof Trim	137.00	279.00
⌚ -45	Finishing Frame for Siphon Jet System	53.00	107.00
⌚ -50	Flush Valve Supply Support for Water Closet	56.00	112.00
		DEDUCT	
-F	Floor Mounted, Back Outlet Fixture Support	-117.00	-234.00



⌚ Z1200-EZCUTGUIDE - 202.00*

*Image showing old style carrier



Z1200-CPLGWRNCH-3 - 86.00

⌚ This symbol denotes a product that is engineered to reduce installation and rework time. For Additional System Tools See "Z1200 Carrier Tools and Accessories" on page 222

*Regularly furnished unless otherwise specified. For additional product information, please visit www.zurn.com

INTRO
ROOF DRAINS
FLOOR DRAINS
T, P, BW VALVES
INTERCEPTORS
CARRIERS
HYDRANTS
CLEANOUTS
WHA
SS DRAINS
FAB SS DRAINS
SAN-FLOOR
TECH INFO

Z1202-N-XB EZCARRY® BARIATRIC CARRIER – 1000 LB ADJUSTABLE VERTICAL SIPHON JET – NO-HUB SERIES



Patented

ENGINEERING SPECIFICATION

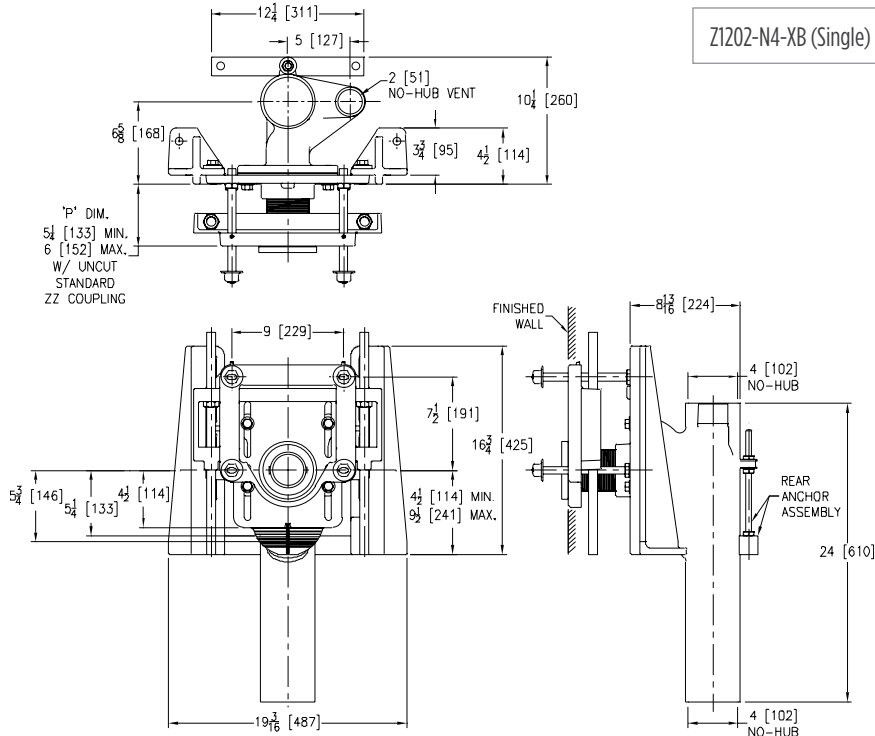
Zurn Z1202-N(-)XB EZCarry® bariatric vertical siphon jet water closet carrier system features high performance Dura-Coated cast iron main fitting with hydromechanically optimized sweep, 4" no-hub connections, and extended 2" vent. Corrosion resistant adjustable cast iron coupling is designed to increase flow velocity and line carry. Labor saving Neo-Seal bonded gasket optimizes flow performance, while reducing installation steps. Complete system includes an adjustable, gasketed faceplate, floor mounted foot supports, rigid support frame assembly, extra heavy-duty 1/2" rear anchor tie down, fixture bolts, trim, and stud protectors. EZCarry® XB system complies with all applicable requirements of ASME A112.6.1M up to a 1000 lb maximum static load.

NOTES

1. Cut 4" adjustable coupling minimum 'P' dimension obtainable = 3".
2. Feet bolted to floor using minimum 1/2" diameter anchors.
3. Rear anchor foot required for secure installation.
4. Floor anchors must each be able to withstand a pull-out force of 748 lb.
5. Pull-out forces are calculated values with standard coupling assembly. No safety factor has been applied. See Form #C38 for more information.
6. 2" no-hub vent connection regularly furnished on right-hand side. Left hand available when specified (Suffix -VL).
7. Auxiliary inlet available right (-JR) or left (-JL) or both sides (-JJ) when specified.

Product Number	Approximate Weight lb [kg]
Z1202-N4-XB	115 [52]
Z1202-ND4-XB	188 [85]

PREFIXES	DESCRIPTION	SINGLE	DOUBLE
Z1202*	D.C.C.I. System with 4" Adjustable Coupling	Combine with Fitting Type for Pricing	
FITTING TYPE			
-N4-XB	4" No-Hub Stack, Single Inlet, 2" Right-Hand Vent	3,806.00	-
-ND4-XB	4" No-Hub Stack, Back-to-Back Inlet (Double), 2" Right-Hand Vent	-	7,346.00
SUFFIXES		ADD	
-CC	Corrosion Resistant Cast Iron Coupling (2-1/4" thru 12")	N/C	N/C
-G	Galvanized Cast Iron	957.00	1,599.00
-JJ	Two 2" Auxiliary Inlets	540.00	540.00
-JL	2" Left-Hand Auxiliary Inlet	271.00	271.00
-JR	2" Right-Hand Auxiliary Inlet	271.00	271.00
-VL	Left-Hand Vent Connection	N/C	N/C
-VP	Vandal-Proof Trim	100.00	199.00
-50	Flush Valve Supply Support for Water Closet	66.00	130.00



Z1202-N4-XB (Single)

*Regularly furnished unless otherwise specified.

For additional product information, please visit www.zurn.com

⌚ This symbol denotes a product that is engineered to reduce installation and rework time.

For Additional System Tools See "Z1200 Carrier Tools and Accessories" on page 222

Z1202-N-XH EZCARRY® EXTRA HEAVY-DUTY 750 LB ADJUSTABLE VERTICAL SIPHON JET – NO-HUB SERIES



Patented

ENGINEERING SPECIFICATION

Zurn Z1202-N(-)XH EZCarry® extra heavy-duty vertical siphon jet water closet carrier system features high performance Dura-Coated cast iron main fitting with hydro-mechanically optimized sweep, 4" no-hub connections, and extended 2" vent. Corrosion resistant adjustable 3" diameter x 6" coupling with integral test cap is designed to increase flow velocity and line carry. Labor saving Neo-Seal bonded gasket optimizes flow performance, while reducing installation steps. Complete system includes an adjustable, gasketed faceplate, floor mounted foot supports, extra heavy-duty 1/2" rear anchor tie down, fixture bolts, trim, and stud protectors. EZCarry® XH system complies with all applicable requirements of ASME A112.6.1M up to a 750 lb maximum static load.

NOTES

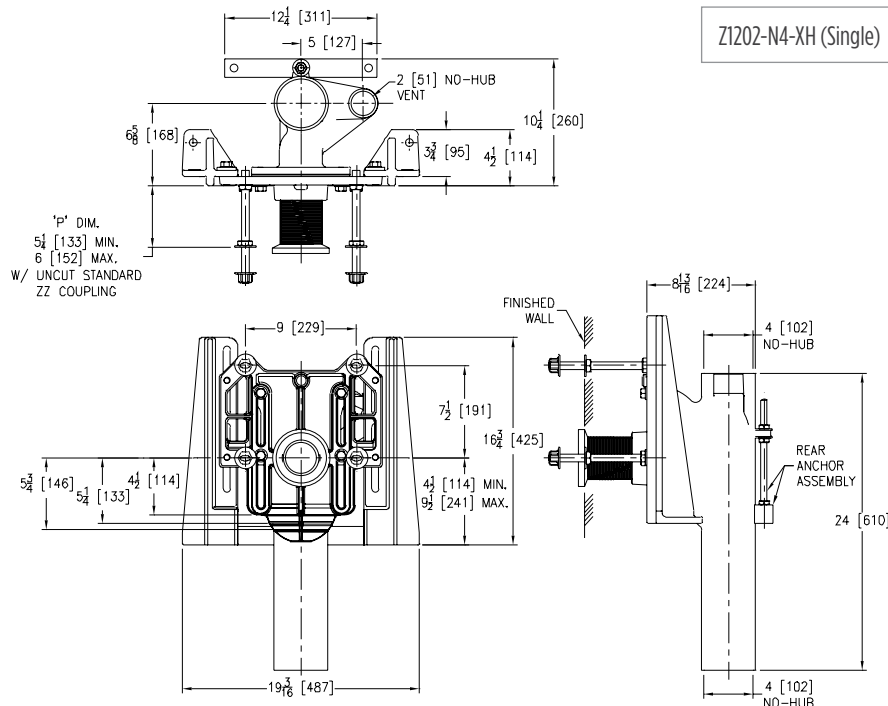
1. Cut 4" adjustable coupling minimum 'P' dimension obtainable = 2". EZ-Set™ coupling, minimum 'P' dimension obtainable = 4-1/4" or 2-1/16" for 12" NPT.
2. Feet bolted to floor using minimum 1/2" diameter anchors.
3. Rear anchor assembly required for secure installation.
4. Floor anchors must each be able to withstand a pull-out force of 820 lb.
5. Pull-out forces are calculated values with standard coupling assembly. No safety factor has been applied. See Form #C38 for more information.
6. 2" no-hub vent connection regularly furnished on right-hand side. Left hand available when specified (Suffix -VL).
7. Auxiliary inlet available right (-JR) or left (-JL) or both sides (-JJ) when specified.

Product Number	Approximate Weight lb [kg]
Z1202-N4-XH	99 [45]
Z1202-ND4-XH	156 [71]

PREFIXES	DESCRIPTION	SINGLE	DOUBLE
Z1202*	D.C.I. System with 4" Adjustable Coupling	Combine with Fitting Type for Pricing	
ZQ1202	D.C.I. System with NPT Faceplate Non-Adjustable Coupling		

FITTING TYPE			
-N4-XH	4" No-Hub Stack, Single Inlet, 2" Right-Hand Vent	2,765.00	-
-ND4-XH	4" No-Hub Stack, Back-to-Back Inlet (Double), 2" Right-Hand Vent	-	5,338.00

SUFFIXES		ADD	
-CC	Corrosion Resistant Cast Iron Coupling (2-1/4" thru 12")	N/C	N/C
Ⓢ -CE	EZ-SET™ Coupling (6" or 12" standard length)	55.00	110.00
	Custom length greater than 12" - Per Inch (Specify Length)	75.00	150.00
-CL	Custom Length Standard Coupling with Integral Test Cap (Specify Length 4", 8", 10" or 12")	N/C	N/C
Ⓢ -CS	2-1/4" Polymer Coupling with Integral Test Cap	N/C	N/C
-G	Galvanized Cast Iron	693.00	1,384.00
-JJ	Two 2" Auxiliary Inlets	540.00	540.00
-JL	2" Left-Hand Auxiliary Inlet	271.00	271.00
-JR	2" Right-Hand Auxiliary Inlet	271.00	271.00
-VL	Left-Hand Vent Connection (H4, 1HR4, 2H4 Only)	N/C	N/C
-VP	Vandal-Proof Trim	100.00	199.00
Ⓢ -50	Flush Valve Supply Support for Water Closet	66.00	130.00



Ⓢ This symbol denotes a product that is engineered to reduce installation and rework time. For Additional System Tools See "Z1200 Carrier Tools and Accessories" on page 222

*Regularly furnished unless otherwise specified. For additional product information, please visit www.zurn.com

Ⓢ **ZF1202-N** EZCARRY® VERTICAL SIPHON JET ONE-PIECE CARRIER – NO-HUB SERIES



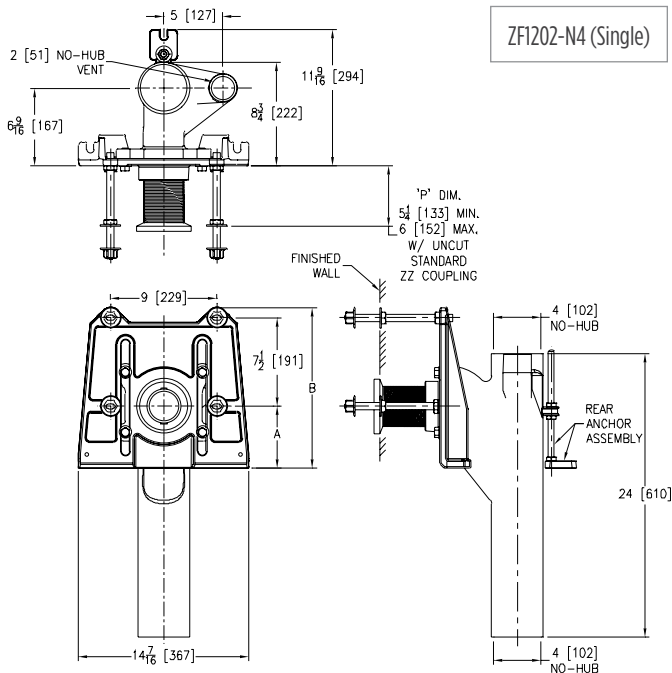
Patent Pending

ENGINEERING SPECIFICATION

Zurn ZF1202-N() EZCarry® one-piece combination floor mounted foot/faceplate horizontal siphon jet water closet carrier system, supplied for () rough-in height, features high performance Dura-Coated cast iron main fitting with hydro-mechanically optimized sweep, 4" no-hub connections, and extended 2" vent. Corrosion resistant adjustable 3" diameter x 6" coupling with integral test cap is designed to increase flow velocity and line carry. Labor saving Neo-Seal bonded gasket optimizes flow performance, while reducing installation steps. Complete system includes one-piece combination foot/faceplate, heavy-duty 1/2" rear anchor tie down, fixture bolts, trim, and stud protectors. EZCarry® one-piece combination floor mounted foot/faceplate system complies with all applicable requirements of ASME A112.6.1M up to a 500 lb maximum static load.

NOTES

1. Cut 4" adjustable coupling minimum 'P' dimension obtainable = 2". EZ-Set™ coupling, minimum 'P' dimension obtainable = 4-1/4" or 2-1/16" for 12" NPT.
2. Feet bolted to floor using minimum 1/2" diameter anchors.
3. Rear anchor assembly required for secure installation (not on ND4).
4. 2" no-hub vent connection regularly furnished on right-hand side. Left-hand available when specified (Suffix -VL).
5. Auxiliary inlet available right (-JR) or left (-JL) or both sides (-JJ).



Product Number	Dimensions in inches [mm]		Approximate Weight lb [kg]
	A	B	
ZF1202-N4-F55	5-1/2 [140]	13-7/8 [352]	87 [39]
ZF1202-ND4-F55			107 [49]
ZF1202-N4-F75	7-1/2 [191]	15-7/8 [403]	91 [41]
ZF1202-ND4-F75			115 [52]

PREFIXES	DESCRIPTION	SINGLE	DOUBLE
ZF1202*	D.C.C.I. System with 4" Adjustable Coupling	Combine with Fitting Type for Pricing	
ZQF1202	D.C.C.I. System with NPT Faceplate Non-Adjustable Coupling		
FITTING TYPE			
-N4-F55	4" No-Hub Right-Hand Inlet with Flow to Left with 5-1/2" Non-Adjustable Rough-In Height	1,316.00	-
-ND4-F55	4" No-Hub Back-to-Back Inlet (Double), with 5-1/2" Non-Adjustable Rough-In Height	-	2,325.00
-N4-F75	4" No-Hub Left-Hand Inlet with Flow to Right with 7-1/2" Non-Adjustable Rough-In Height	1,316.00	-
-ND4-F75	4" No-Hub Back-to-Back Inlet (Double), with 7-1/2" Non-Adjustable Rough-In Height	-	2,325.00
SUFFIXES		ADD	
-A	Auxiliary Support Assembly (Required For 'P' Dim. Greater than 18")	643.00	1,284.00
-CC	Corrosion Resistant Cast Iron Coupling (2-1/4" thru 12")	36.00	72.00
Ⓢ -CE	EZ-SET™ Coupling (6" or 12" standard length) Custom length greater than 12" - Per Inch (Specify Length)	55.00	110.00
-CL	Custom Length Standard Coupling with Integral Test Cap (Specify Length 4", 8", 10" or 12")	N/C	N/C
Ⓢ -CS	2-1/4" Polymer Coupling with Integral Test Cap	N/C	N/C
-G	Galvanized Cast Iron	693.00	1,384.00
-JJ	Two 2" Auxiliary Inlets	508.00	508.00
-JL	2" Left-Hand Auxiliary Inlet	255.00	255.00
-JR	2" Right-Hand Auxiliary Inlet	255.00	255.00
-M	Auxiliary Foot Support (Required For 'P' Dim. 10" thru 18")	242.00	481.00
-VL	Left-Hand Vent Connection	N/C	N/C
-VP	Vandal-Proof Trim	100.00	199.00
Ⓢ -45	Finishing Frame for Siphon Jet System (For Blowout System specify -45-B)	61.00	121.00
Ⓢ -50	Flush Valve Supply Support for Water Closet	66.00	130.00

*Regularly furnished unless otherwise specified.

For additional product information, please visit www.zurn.com

Ⓢ This symbol denotes a product that is engineered to reduce installation and rework time.

For Additional System Tools See "Z1200 Carrier Tools and Accessories" on page 222

Ⓢ ZN1202-N EZCARRY® ADJUSTABLE VERTICAL SIPHON JET – NO-HUB NARROW WALL SYSTEM



Patent Pending

ENGINEERING SPECIFICATION

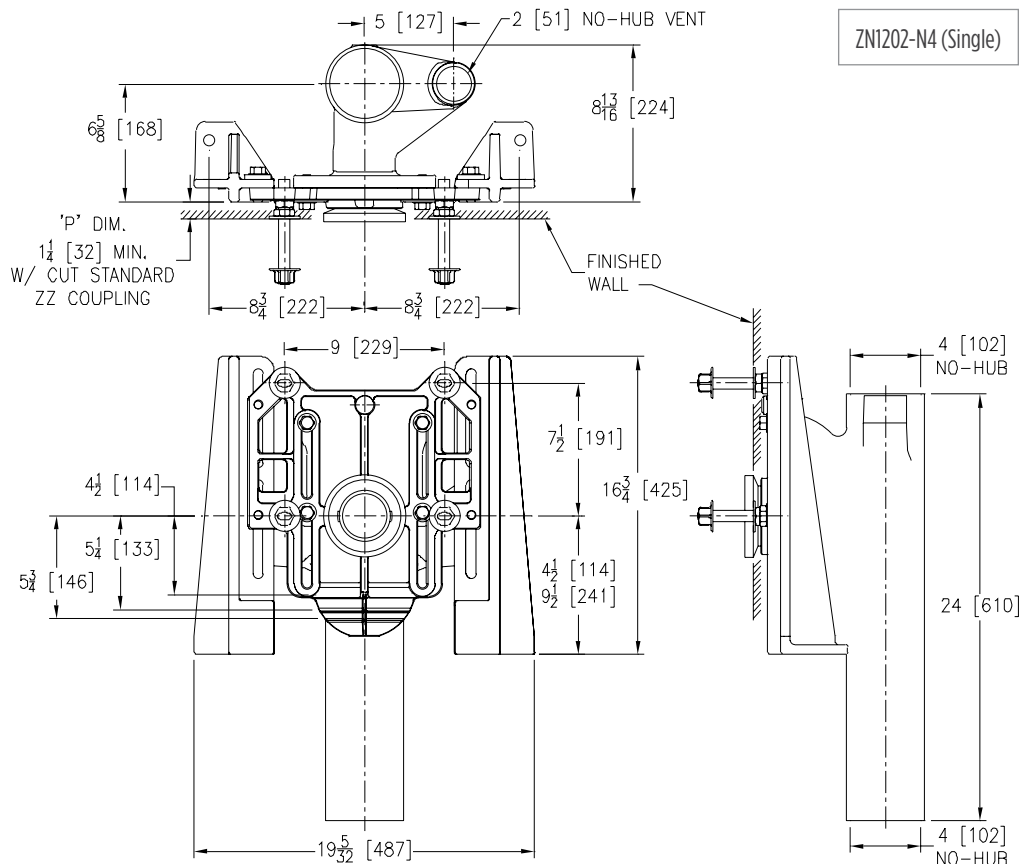
Zurn ZN1202-N()4 EZCarry® narrow wall vertical siphon jet water closet carrier system features high performance Dura-Coated cast iron main fitting with hydromechanically optimized sweep, 4" no-hub connections, and extended 2" vent. Corrosion resistant adjustable 3" diameter x 6" coupling with integral test cap is designed to increase flow velocity and line carry. Labor saving Neo-Seal bonded gasket optimizes flow performance while reducing installation steps. Complete system includes an adjustable, gasketed faceplate, floor mounted foot supports, fixture bolts, trim, and stud protectors. EZCarry® narrow wall system complies with all applicable requirements of ASME A112.6.1M up to a 500 lb maximum static load.

NOTES

1. Cut 4" adjustable coupling minimum 'P' dimension obtainable = 1-1/4".
2. Carrier floor anchors must each be able to withstand a pull-out force of 1741 lb.
3. Pull-out forces are calculated values with standard coupling assembly. No safety factor has been applied. See Form #C38 for more information.
4. 2" no-hub vent connection regularly furnished on right-hand side. Left hand available when specified (Suffix -VL).
5. Auxiliary inlet available right (-JR) or left (-JL) or both sides (-JJ) when specified.

Product Number	Approximate Weight lb [kg]
ZN1202-N4	90 [41]
ZN1202-ND4	158 [72]

PREFIXES	DESCRIPTION	SINGLE	DOUBLE
ZN1202*	D.C.C.I. System with 4" Adjustable Coupling	Combine with Fitting Type for Pricing	
FITTING TYPE			
-N4	4" No-Hub Stack, Single Inlet, 2" Right-Hand Vent	1,172.00	-
-ND4	4" No-Hub Stack, Back-to-Back Inlet (Double), 2" Right-Hand Vent	-	1,482.00
SUFFIXES		ADD	
-CC	Corrosion Resistant Cast Iron Coupling (2-1/4" thru 12")	36.00	72.00
Ⓢ -CS	2-1/4" Polymer Coupling with Integral Test Cap	N/C	N/C
-G	Galvanized Cast Iron	693.00	1,384.00
-JJ	Two 2" Auxiliary Inlets	298.00	298.00
-JL	2" Left-Hand Auxiliary Inlet	147.00	147.00
-JR	2" Right-Hand Auxiliary Inlet	147.00	147.00
-VL	Left-Hand Vent Connection	N/C	N/C
-VP	Vandal-Proof Trim	139.00	279.00
Ⓢ -50	Flush Valve Supply Support for Water Closet	51.00	112.00



Ⓢ This symbol denotes a product that is engineered to reduce installation and rework time. For Additional System Tools See "Z1200 Carrier Tools and Accessories" on page 222

*Regularly furnished unless otherwise specified. For additional product information, please visit www.zurn.com

Z1203-N ADJUSTABLE HORIZONTAL SIPHON JET – NO-HUB SERIES

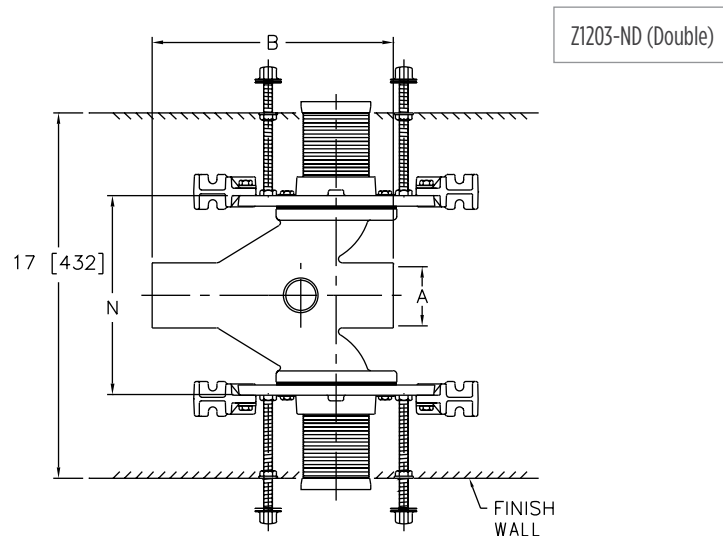
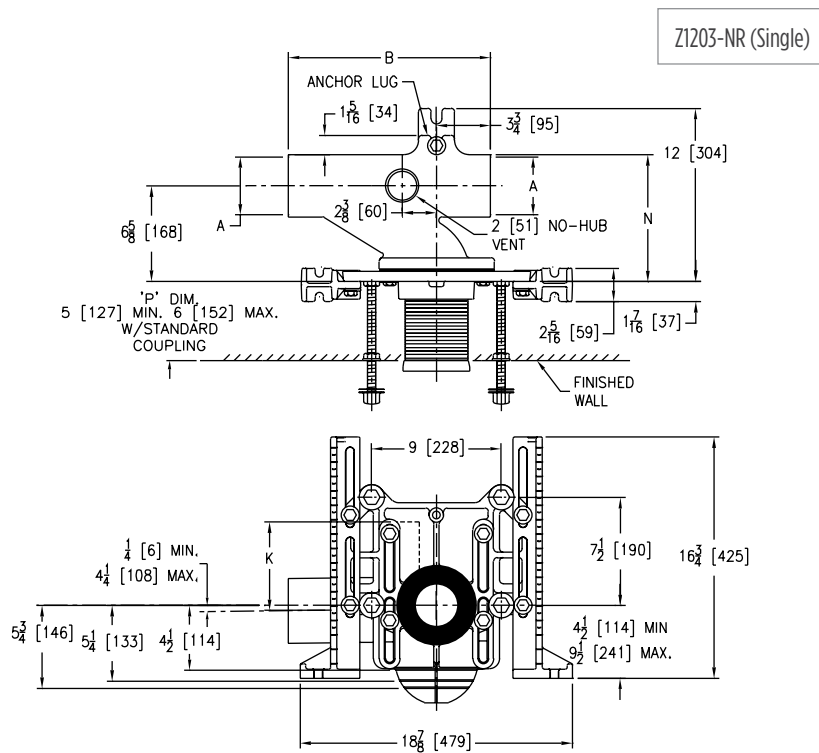


ENGINEERING SPECIFICATION

Zurn Z1203-N() adjustable, horizontal siphon jet water closet provides a rigid system with () size no-hub connections. Comes complete with Dura-Coated cast iron right-hand, left-hand, or double main fitting, 2" vent adjustable gasketed faceplate, universal floor mounted foot supports, corrosion resistant adjustable polymer icoupling with integral test cap, fixture bolts, trim, and stud protectors. Includes rear anchor tie down and bonded Neo-Seal gasket.

NOTES

1. Minimum "P" dimension attainable = 2".
2. Feet anchored to floor using minimum 1/2" diameter bolts through rear slots on carrier feet.
3. Rear anchor foot required for secure installation.
4. When used with Z1204 vertical fitting, and the centerline of the fitting to the finished wall exceeds 11-3/4", a 7" or longer, coupling is needed.



*Regularly furnished unless otherwise specified.

For additional product information, please visit www.zurn.com

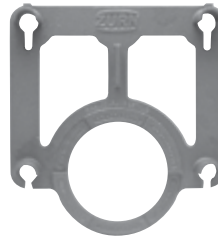
Ⓢ This symbol denotes a product that is engineered to reduce installation and rework time.

For Additional System Tools See "Z1200 Carrier Tools and Accessories" on page 222

Z1203-N ADJUSTABLE HORIZONTAL SIPHON JET – NO-HUB SERIES

Product Number	Dimensions in inches [mm]				Approximate Weight lb [kg]
	A	B	K	N	
Z1203-NL3	3 [76]	14 [356]	6-1/8 [156]	7-7/16 [189]	64 [29]
Z1203-NR3				11-1/4 [286]	114 [52]
Z1203-ND3				8-7/8 [225]	67 [30]
Z1203-NL4	4 [102]			13-3/8 [340]	120 [54]
Z1203-NR4					
Z1203-ND4					

PREFIXES	DESCRIPTION	SINGLE	DOUBLE
Z1203*	D.C.C.I. System with 4" Adjustable Coupling	Combine with Fitting Type for Pricing	
ZQ1203	D.C.C.I. System with NPT Faceplate Non-Adjustable Coupling		
FITTING TYPE			
-NR3	3" No-Hub Right-Hand Inlet with Flow to Left	823.00	-
-NL3	3" No-Hub Left-Hand Inlet with Flow to Right	823.00	-
-ND3	3" No-Hub Back-to-Back Inlet (Double)	-	1,422.00
-NR4	4" No-Hub Right-Hand Inlet with Flow to Left	823.00	-
-NL4	4" No-Hub Left-Hand Inlet with Flow to Right	823.00	-
-ND4	4" No-Hub Back-to-Back Inlet (Double)	-	1,422.00
SUFFIXES		ADD	
-A	Auxiliary Support Assembly (Required For P-Dim. Greater than 18")	551.00	1,101.00
-B	Blowout Type Fixture Support	N/C	N/C
-CC	Corrosion Resistant Cast Iron Coupling (6" to 12")	36.00	72.00
-CL	Coupling Length Greater than 12" Per Inch (Specify Length Required)	66.00	131.00
-JC	2" Auxiliary Inlet with Sanitary Sweep on Faceplate Centerline	269.00	-
-M	Auxiliary Foot Support (Required For P-Dim. 10" - 18")	-	-
Ⓢ -PF	Pre-Fab Foot	N/C	N/C
Ⓢ -PS	Pre-Fab Slotted Foot	N/C	N/C
Ⓢ -RYK	Unistrut Pre-Fab Foot	N/C	N/C
-VP	Vandal-Proof Trim	139.00	279.00
-X3	3" Foot Extension Assembly	66.00	129.00
-X4	4" Foot Extension Assembly	87.00	168.00
Ⓢ -45	Finishing Frame for Siphon Jet System (For Blowout System specify -45-B)	53.00	107.00
Ⓢ -50	Flush Valve Supply Support for Water Closet (Previously Z1210-50)	56.00	112.00
		DEDUCT	
-F	Floor Mounted, Back Outlet Fixture Support	-117.00	-231.00



Ⓢ Z1200-RI-GAUGE - 66.00



Z1200-CPLGWRNCH-4 - 86.00

Ⓢ This symbol denotes a product that is engineered to reduce installation and rework time. For Additional System Tools See "Z1200 Carrier Tools and Accessories" on page 222

*Regularly furnished unless otherwise specified. For additional product information, please visit www.zurn.com

INTRO
ROOF DRAINS
FLOOR DRAINS
T, P, BW VALVES
INTERCEPTORS
CARRIERS
HYDRANTS
CLEANOUTS
WHA
SS DRAINS
FAB SS DRAINS
SAN-FLOOR
TECH INFO

Z1203-H ADJUSTABLE HORIZONTAL SIPHON JET – HUB AND SPIGOT SERIES

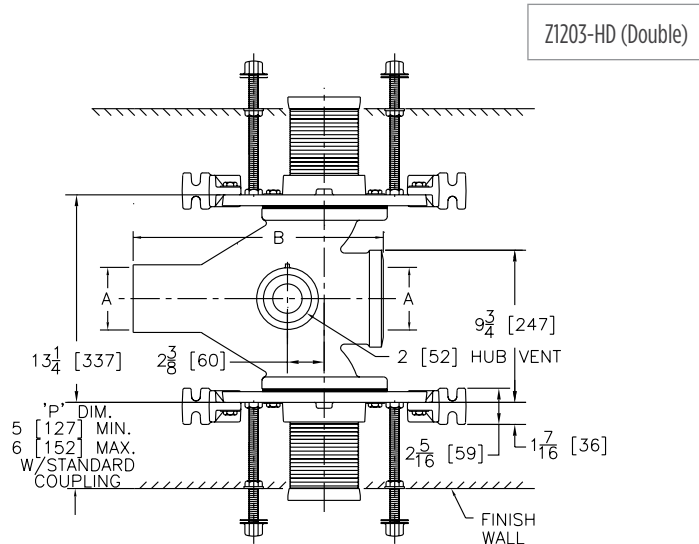
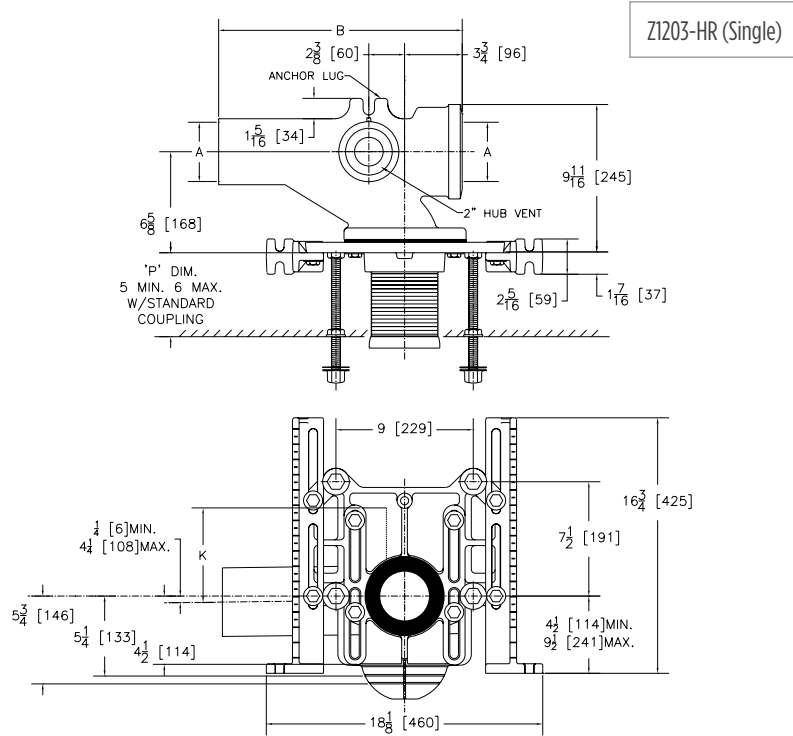


ENGINEERING SPECIFICATION

Zurn Z1203-H() adjustable, horizontal siphon jet water closet provides a rigid system with () size hub and spigot connections. Comes complete with Dura-Coated cast iron right-hand, left-hand, or double main fitting, 2" vent adjustable gasketed faceplate, universal floor mounted foot supports, corrosion resistant adjustable polymer coupling with integral test cap, fixture bolts, trim, and stud protectors. Includes rear anchor tie down and bonded Neo-Seal gasket.

NOTES

1. Minimum "P" dimension attainable = 2".
2. Feet anchored to floor using minimum 1/2" diameter bolts through rear slots on carrier feet.
3. Rear anchor foot required for secure installation (not on HD series).



*Regularly furnished unless otherwise specified.

For additional product information, please visit www.zurn.com

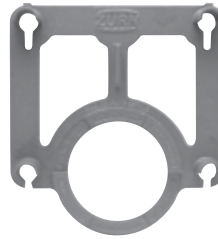
Ⓢ This symbol denotes a product that is engineered to reduce installation and rework time.

For Additional System Tools See "Z1200 Carrier Tools and Accessories" on page 222

Z1203-H ADJUSTABLE HORIZONTAL SIPHON JET – HUB AND SPIGOT SERIES

Product Number	Dimensions in inches [mm]				Approximate Weight lb [kg]
	A	B	K	N	
Z1203-HL4	4 [102]	16 [406]	6-1/8 [156]	9-3/4 [248]	75 [34]
Z1203-HR4				13-1/4 [337]	125 [57]
Z1203-HD4					

PREFIXES	DESCRIPTION	SINGLE	DOUBLE
Z1203*	D.C.C.I. System with 4" Adjustable Coupling	Combine with Fitting Type for Pricing	
ZQ1203	D.C.C.I. System with NPT Faceplate Non-Adjustable Coupling		
FITTING TYPE			
-HL4	4" Hub & Spigot, Left-Hand Inlet with Flow to Right	823.00	-
-HR4	4" Hub & Spigot, Right-Hand Inlet with Flow to Left	823.00	-
-HD4	4" Hub & Spigot, Back-to-Back Inlet (Double)	-	1,422.00
SUFFIXES		ADD	
-A	Auxiliary Support Assembly (Required For P-Dim. Greater than 18")	551.00	1,101.00
-B	Blowout Type Fixture Support	N/C	N/C
-CC	Corrosion Resistant Cast Iron Coupling (6" to 12")	36.00	72.00
-CL	Coupling Length Greater than 12" Per Inch (Specify Length Required)	66.00	131.00
-G	Galvanized Cast Iron	533.00	1,062.00
-M	Auxiliary Foot Support (Required For P-Dim. 10" thru 18")	-	-
⌚ -PF	Pre-Fab Foot	N/C	N/C
⌚ -PS	Pre-Fab Slotted Foot	N/C	N/C
⌚ -RYK	Unistrut Pre-Fab Foot	N/C	N/C
-VP	Vandal-Proof Trim	139.00	279.00
-X3	3" Foot Extension Assembly	66.00	129.00
-X4	4" Foot Extension Assembly	87.00	168.00
⌚ -45	Finishing Frame for Siphon Jet System (For Blowout System specify -45-B)	53.00	107.00
⌚ -50	Flush Valve Supply Support for Water Closet (Previously Z1210-50)	56.00	112.00
		DEDUCT	
-F	Floor Mounted, Back Outlet Fixture Support	-117.00	-231.00



⌚ Z1200-RI-GAUGE - 66.00



Z1200-CPLGWRNCH-4 - 86.00

⌚ This symbol denotes a product that is engineered to reduce installation and rework time. For Additional System Tools See "Z1200 Carrier Tools and Accessories" on page 222

*Regularly furnished unless otherwise specified. For additional product information, please visit www.zurn.com

INTRO
ROOF DRAINS
FLOOR DRAINS
T, P, BW VALVES
INTERCEPTORS
CARRIERS
HYDRANTS
CLEANOUTS
WHA
SS DRAINS
FAB SS DRAINS
SANI-FLOOR
TECH INFO

ZE1203-N ADJUSTABLE HORIZONTAL SIPHON JET WITH ELONGATED FITTING – NO-HUB SERIES

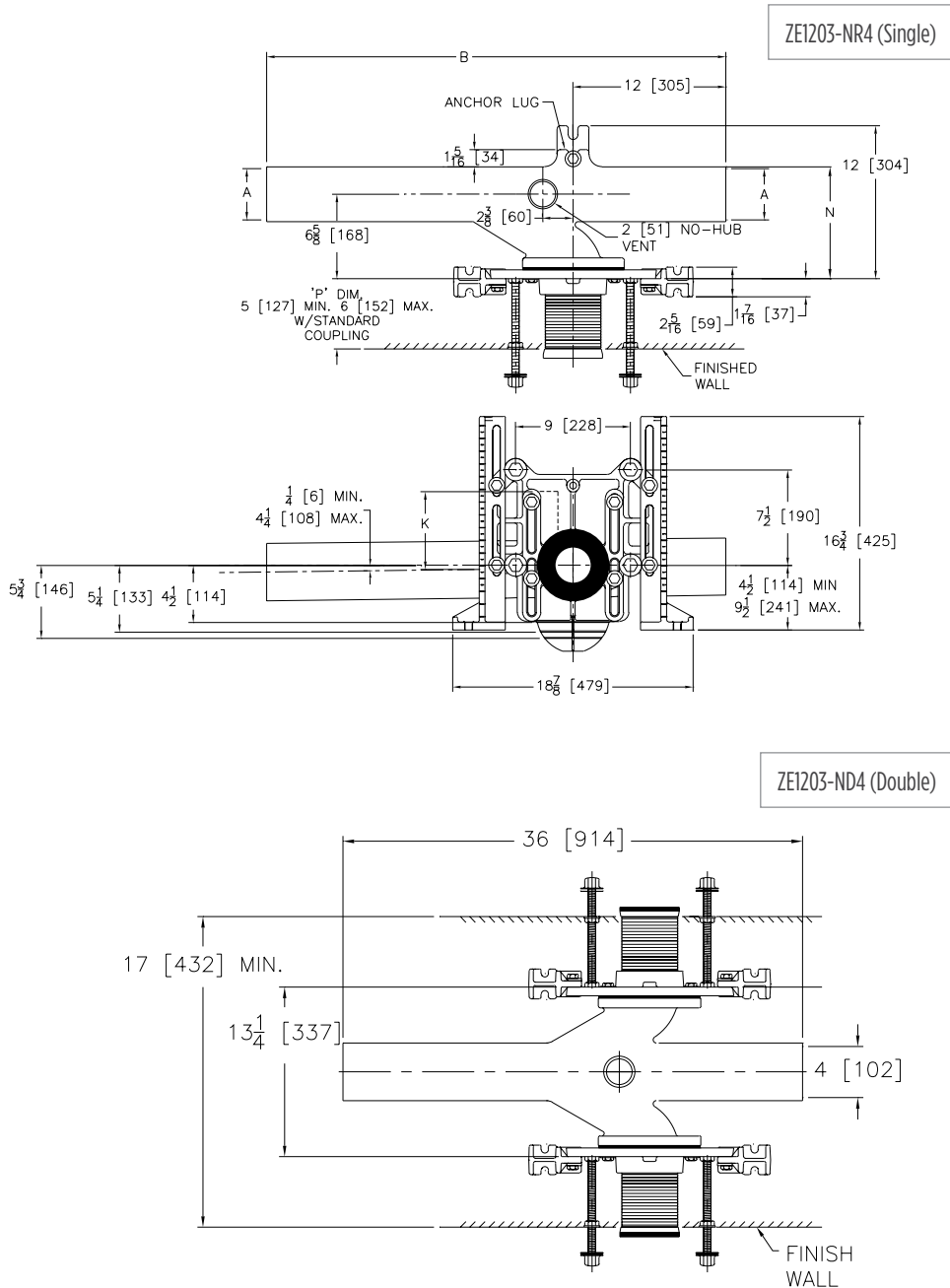


ENGINEERING SPECIFICATION

Zurn ZE1203-N () adjustable, horizontal siphon jet water closet provides a rigid system with () no-hub connections. Comes complete with Dura-Coated cast iron right-hand, left-hand, or double main elongated fitting, 2" vent, adjustable gasketed faceplate, universal floor mounted foot supports, corrosion resistant adjustable polymer coupling with integral test cap, fixture bolts, trim, and stud protectors. Includes rear anchor tie down and bonded Neo-Seal gasket.

NOTES

1. 13-1/2" minimum space required between front of foot and rear of anchor to install ZE1203 Series.
2. Minimum 'P' dimension obtainable = 2".
3. Feet bolted to floor using min. 1/2" diameter bolts through back slots on carrier feet.
4. Rear anchor foot mandatory for secure installation.



*Regularly furnished unless otherwise specified.

For additional product information, please visit www.zurn.com

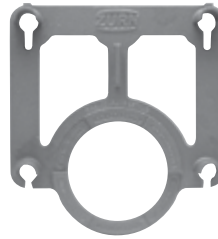
Ⓢ This symbol denotes a product that is engineered to reduce installation and rework time.

For Additional System Tools See "Z1200 Carrier Tools and Accessories" on page 222

⌚ ZE1203-N ADJUSTABLE HORIZONTAL SIPHON JET WITH ELONGATED FITTING – NO-HUB SERIES

Product Number	Dimensions in inches [mm]				Approximate Weight lb [kg]
	A	B	K	N	
ZE1203-NL4	4 [102]	36 [914]	6-1/8 [156]	8-7/8 [225]	84 [38]
ZE1203-NR4				13-3/8 [340]	136 [62]
ZE1203-ND4					

PREFIXES	DESCRIPTION	SINGLE	DOUBLE
ZE1203*	D.C.C.I. Elongated Fitting System with 4" Adjustable Coupling	Combine with Fitting Type for Pricing	
ZEQ1203	D.C.C.I. Elongated Fitting System with NPT Faceplate, Non-Adjustable Coupling		
FITTING TYPE			
-NR4	4" No-Hub Right-Hand Inlet with Flow to Left	1,189.00	-
-NL4	4" No-Hub Left-Hand Inlet with Flow to Right	1,189.00	-
-ND4	4" No-Hub Back-to-Back Inlet (Double)	-	2,065.00
SUFFIXES		ADD	
-A	Auxiliary Support Assembly (Required For P-Dim. Greater than 18")	551.00	1,101.00
-B	Blowout Type Fixture Support	N/C	N/C
-CC	Corrosion Resistant Cast Iron Coupling (6" to 12")	36.00	72.00
-CL	Coupling Length Greater than 12" - Per Inch (Specify Length Required)	66.00	131.00
-JC	2" Auxiliary Inlet with Sanitary Sweep	269.00	
-M	Auxiliary Foot Support (Required For P-Dim. 10" thru 18")	206.00	477.00
⌚ -PF	Pre-Fab Foot	N/C	N/C
⌚ -PS	Pre-Fab Slotted Foot	N/C	N/C
⌚ -RYK	Unistrut Pre-Fab Foot	N/C	N/C
-VP	Vandal-Proof Trim	139.00	279.00
-X3	3" Foot Extension Assembly	66.00	129.00
-X4	4" Foot Extension Assembly	87.00	168.00
⌚ -45	Finishing Frame for Siphon Jet System (For Blowout System specify -45-B)	53.00	107.00
⌚ -50	Flush Valve Supply Support for Water Closet (Previously Z1210-50)	56.00	112.00
		DEDUCT	
-F	Floor Mounted, Back Outlet Fixture Support	-117.00	-231.00



⌚ Z1200-RI-GAUGE - 66.00



Z1200-CPLGWRNCH-4 - 86.00

⌚ This symbol denotes a product that is engineered to reduce installation and rework time. For Additional System Tools See "Z1200 Carrier Tools and Accessories" on page 222

*Regularly furnished unless otherwise specified. For additional product information, please visit www.zurn.com

ZE1203-H ADJUSTABLE HORIZONTAL SIPHON JET WITH ELONGATED FITTING – HUB AND SPIGOT SERIES

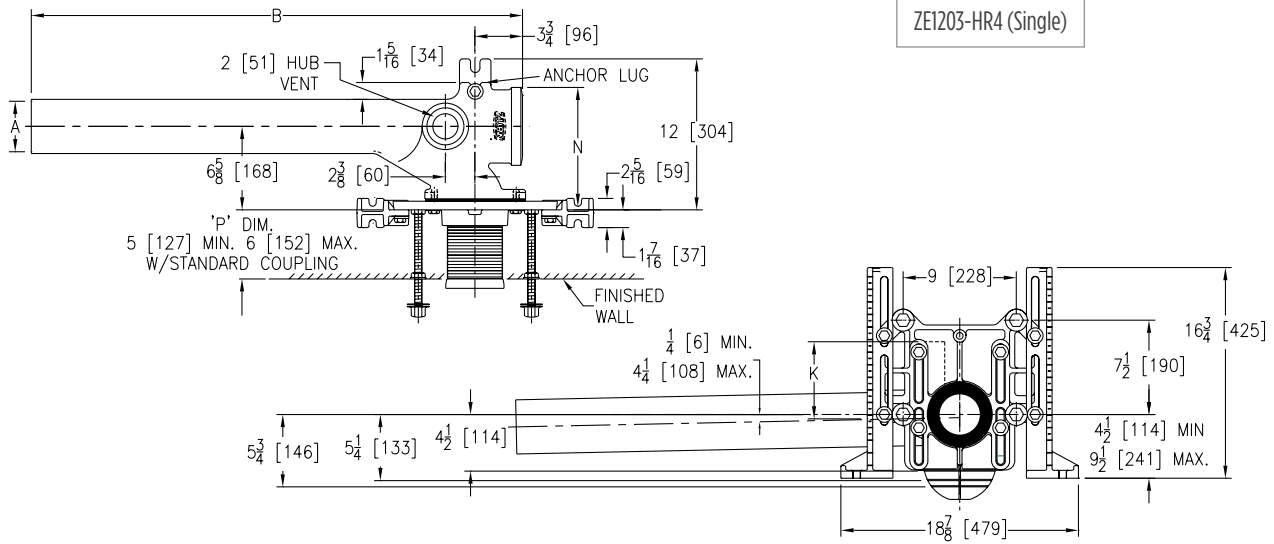


ENGINEERING SPECIFICATION

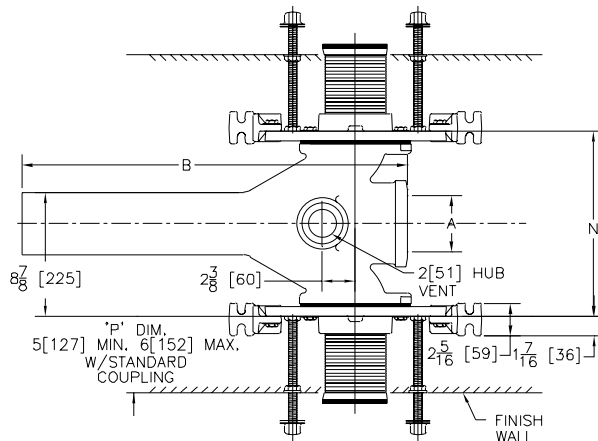
Zurn ZE1203-H () adjustable, horizontal siphon jet water closet provides a rigid system with () size hub and spigot connections. Comes complete with Dura-Coated cast iron right-hand, left-hand, or double main elongated fitting, 2" vent, adjustable gasketed faceplate, universal floor mounted foot supports, corrosion resistant adjustable polymer coupling with integral test cap, fixture bolts, trim, and stud protectors. Includes rear anchor tie down and bonded Neo-Seal gasket.

NOTES

- 13-1/2" minimum space required between front of foot and rear of anchor to install ZE1203 Series.
- Minimum "P" dimension attainable = 2"
- Feet anchored to floor using minimum 1/2" diameter anchors through rear slots on carrier feet.
- Rear anchor foot required for secure installation. (Not on HD series)



ZE1203-HR4 (Single)



ZE1203-HD4 (Double)

*Regularly furnished unless otherwise specified.

For additional product information, please visit www.zurn.com

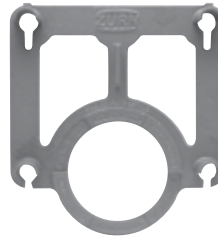
Ⓢ This symbol denotes a product that is engineered to reduce installation and rework time.

For Additional System Tools See "Z1200 Carrier Tools and Accessories" on page 222

⌚ ZE1203-H ADJUSTABLE HORIZONTAL SIPHON JET WITH ELONGATED FITTING – HUB AND SPIGOT SERIES

Product Number	Dimensions in inches [mm]				Approximate Weight lb [kg]
	A	B	K	N	
ZE1203-HL4	4 [102]	36 [914]	6-1/8 [156]	9-13/16 [249]	125 [57]
ZE1203-HR4				13-1/4 [337]	144 [65]
ZE1203-HD4					

PREFIXES	DESCRIPTION	SINGLE	DOUBLE
ZE1203*	D.C.C.I. Elongated Fitting System with 4" Adjustable Coupling	Combine with Fitting Type for Pricing	
ZEQ1203	D.C.C.I. Elongated Fitting System with NPT Faceplate, Non-Adjustable Coupling		
FITTING TYPE			
-HL4	4" Caulk, Left-Hand Inlet with Flow Right	1,189.00	-
-HR4	4" Caulk, Right-Hand Inlet with Flow Left	1,189.00	-
-HD4	4" Caulk, Back-to-Back Inlet (Double)	-	2,065.00
SUFFIXES		ADD	
-A	Auxiliary Support Assembly (Required For P-Dim. Greater than 18")	551.00	1,101.00
-B	Blowout Type Fixture Support	N/C	N/C
-CC	Corrosion Resistant Cast Iron Coupling (6" to 12")	36.00	72.00
-CL	Custom length greater than 12" - Per Inch (Specify Length)	66.00	131.00
-JC	2" Auxiliary Inlet with Sanitary Sweep	269.00	-
-M	Auxiliary Foot Support (Required For P-Dim. 10" thru 18")	206.00	477.00
⌚ -PF	Pre-Fab Foot	N/C	N/C
⌚ -PS	Pre-Fab Slotted Foot	N/C	N/C
⌚ -RYK	Unistrut Pre-Fab Foot	N/C	N/C
-VP	Vandal-Proof Trim	139.00	279.00
-X3	3" Foot Extension Assembly	66.00	129.00
-X4	4" Foot Extension Assembly	87.00	168.00
⌚ -45	Finishing Frame for Siphon Jet System (For Blowout System specify -45-B)	53.00	107.00
⌚ -50	Flush Valve Supply Support for Water Closet (Previously Z1210-50)	56.00	112.00
		DEDUCT	
-F	Floor Mounted, Back Outlet Fixture Support	-117.00	-231.00



⌚ Z1200-RI-GAUGE - 66.00



Z1200-CPLGWRNCH-4 - 86.00

⌚ This symbol denotes a product that is engineered to reduce installation and rework time. For Additional System Tools See "Z1200 Carrier Tools and Accessories" on page 222

*Regularly furnished unless otherwise specified. For additional product information, please visit www.zurn.com

Z1204-H ADJUSTABLE VERTICAL SIPHON JET – HUB AND SPIGOT SERIES



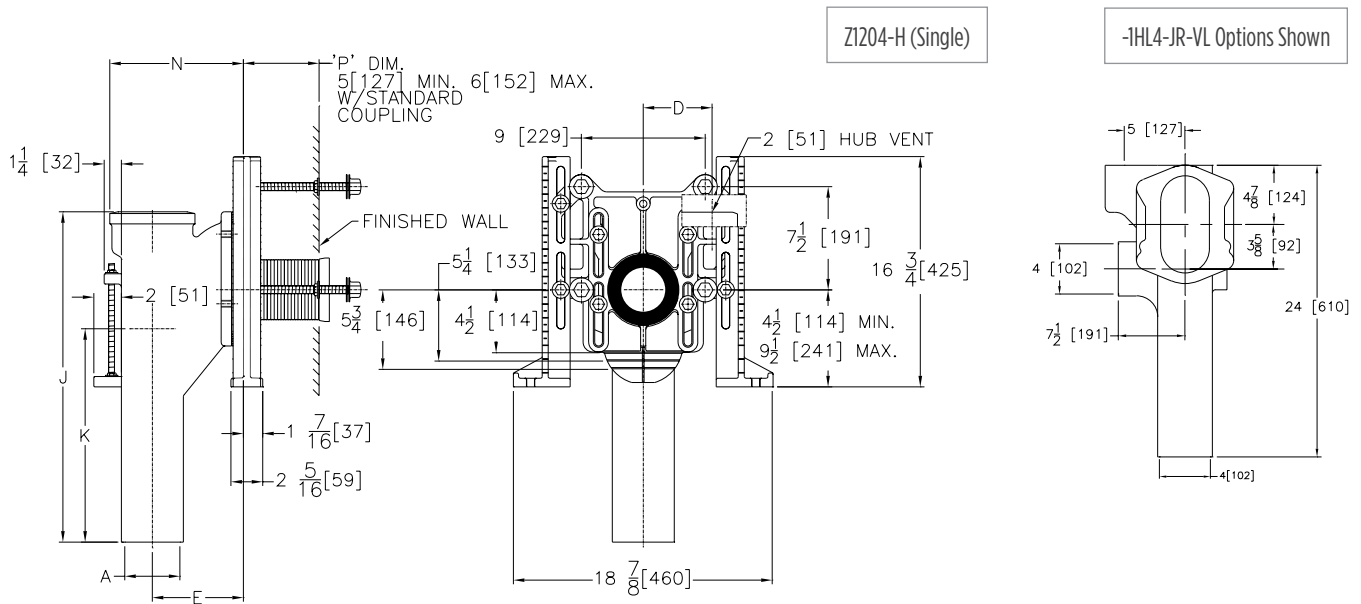
ENGINEERING SPECIFICATION

Zurn Z1204-() adjustable, vertical siphon jet water closet provides a rigid system with () size hub and spigot connections and () side inlets. Comes complete with Dura-Coated cast iron right hand or left hand main fitting, 2" vent, adjustable gasketed faceplate, universal floor mounted foot supports, corrosion resistant adjustable polymer coupling with integral test cap, fixture bolts, trim, and stud protectors. Includes rear anchor tie down and bonded Neo-Seal gasket.

NOTES

1. 13-1/4" minimum space required between front of foot and rear of anchor to install Z1204-H4.
2. Minimum "P" dimension attainable = 2" [51 mm].
3. Feet anchored to floor using minimum 1/2" [13] diameter anchors through rear slots on carrier feet.
4. Rear anchor foot required for secure installation.

Product Number	Dimensions in inches [mm]								Approximate Weight lb [kg]
	A	B	D	E	H	J	K	N	
Z1204-H4	4 [102]	-	5 [127]	6-5/8 [168]	-	24 [610]	15-1/2 [394]	9-3/4 [248]	90 [41]
Z1204-HD4	4 [102]		5 [127]	6-5/8 [168]				13-1/4 [337]	134 [61]
Z1204-IHL4	4 [102]	4 [102]	5 [127]	6-5/8 [168]	7-1/2 [191]			9-3/4 [248]	107 [49]
Z1204-IHR4								13-1/4 [337]	169 [77]
Z1204-IHD4	4 [102]	4 [102]	5-1/4 [133]	6-5/8 [168]	7-1/2 [191]			9-3/4 [248]	122 [55]
Z1204-2H4	4 [102]	4 [102]	5 [127]	6-5/8 [168]	7-1/2 [191]			13-1/4 [337]	172 [78]
Z1204-2HD4	4 [102]	4 [102]	5 [127]	6-5/8 [168]	7-1/2 [191]				



*Regularly furnished unless otherwise specified.

For additional product information, please visit www.zurn.com

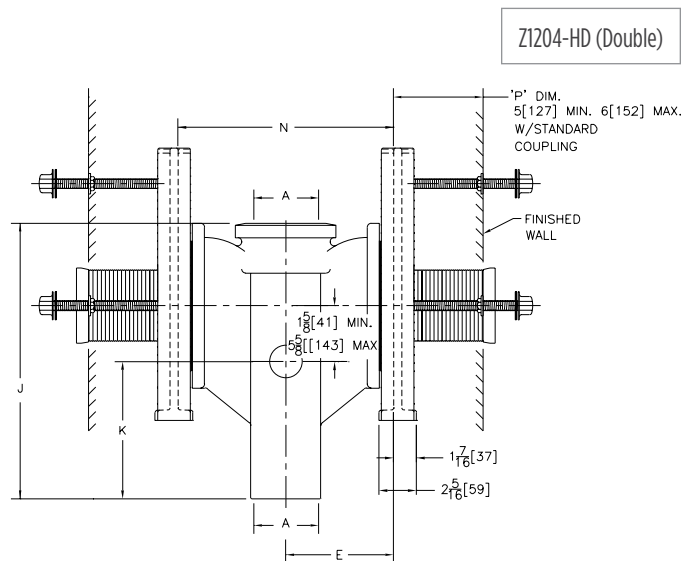
Ⓢ This symbol denotes a product that is engineered to reduce installation and rework time.

For Additional System Tools See "Z1200 Carrier Tools and Accessories" on page 222

Z1204-H ADJUSTABLE VERTICAL SIPHON JET – HUB AND SPIGOT SERIES

PREFIXES	DESCRIPTION	SINGLE	DOUBLE
Z1204*	D.C.C.I. System with 4" Adjustable Coupling	Combine with Fitting Type for Pricing	
ZQ1204	D.C.C.I. System with NPT Faceplate Non-Adjustable Coupling		
FITTING TYPE			
-H4	4" Hub/Spigot Stack, Single Inlet, 2" Right-Hand Vent	1,290.00	-
-HD4	4" Hub/Spigot Stack, Double Inlet, 2" Vent	-	2,239.00
-1HL4	4" Hub/Spigot Stack, Single Inlet, (1) 4" Left-Hand Side Inlet, 2" Left-Hand Vent	1,437.00	-
-1HR4	4" Hub/Spigot Stack, Single Inlet, (1) 4" Right-Hand Side Inlet, 2" Right-Hand Vent	1,437.00	-
-1HD4	4" Hub/Spigot Stack, Double Inlet, (1) 4" Side Inlet, 2" Vent	-	2,233.00
-2H4	4" Hub/Spigot Stack, Single Inlet, (2) 4" Side Inlets, 2" Right-Hand Vent	1,560.00	-
-2HD4	4" Hub/Spigot Stack, Double Inlet, (2) 4" Side Inlet, 2" Vent	-	2,268.00

SUFFIXES	DESCRIPTION	SINGLE	DOUBLE
-A	Auxiliary Support Assembly (Required For P-Dim. Greater than 18")	551.00	1,101.00
-B	Blowout Type Fixture Support	N/C	N/C
-CC	Corrosion Resistant Cast Iron Coupling (6" to 12")	36.00	72.00
-CL	Custom length greater than 12"- Per Inch (Specify Length)	66.00	131.00
-JJ	Two 2" Auxiliary Inlets	298.00	595.00
-JL	2" Left-Hand Auxiliary Inlet	147.00	294.00
-JR	2" Right-Hand Auxiliary Inlet	147.00	294.00
-M	Auxiliary Foot Support (Required For P-Dim. 10" thru 18")	239.00	477.00
Ⓞ -PF	Pre-Fab Foot	N/C	N/C
Ⓞ -PS	Pre-Fab Slotted Foot	N/C	N/C
Ⓞ -RYK	Unistrut Pre-Fab Foot	N/C	N/C
-VP	Vandal-Proof Trim	139.00	279.00
-X3	3" Foot Extension Assembly	66.00	129.00
-X4	4" Foot Extension Assembly	87.00	168.00
Ⓞ -45	Finishing Frame for Siphon Jet System (For Blowout System specify -45-B)	53.00	107.00
Ⓞ -50	Flush Valve Supply Support for Water Closet (Previously Z1210-50)	56.00	112.00
DEDUCT			
-F	Floor Mounted, Back Outlet Fixture Support	-117.00	-231.00



Ⓞ This symbol denotes a product that is engineered to reduce installation and rework time. For Additional System Tools See "Z1200 Carrier Tools and Accessories" on page 222

*Regularly furnished unless otherwise specified. For additional product information, please visit www.zurn.com

Z1204-N ADJUSTABLE VERTICAL SIPHON JET – NO-HUB SERIES



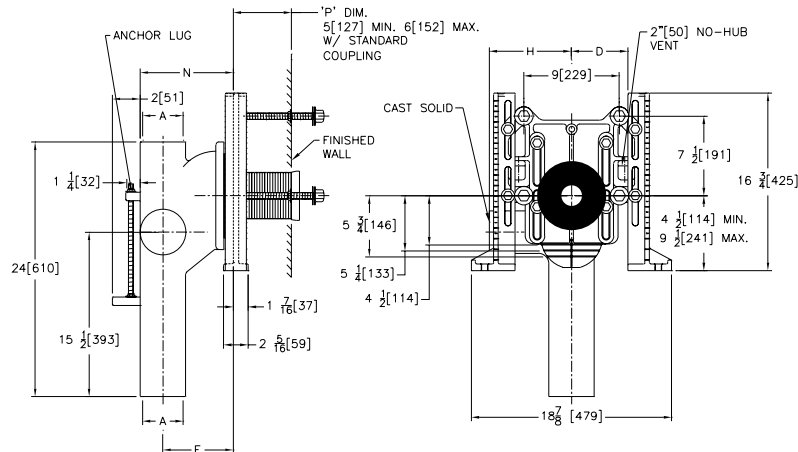
ENGINEERING SPECIFICATION

Zurn Z1204-() adjustable, vertical siphon jet water closet provides rigid system with () size no-hub connections and () side inlets. Comes complete with Dura-Coated cast iron, right-hand, left-hand, or double main fitting, 2" vent, adjustable, gasketed faceplate, universal floor mounted foot supports, corrosion resistant, adjustable polymer coupling with integral test cap, fixture bolts, trim and stud protectors. Includes rear anchor tie down and bonded Neo-Seal gasket.

NOTES

1. Minimum "P" dimension obtainable = 2".
2. 2" no-hub vent connection regularly furnished on right-hand side. Left hand available when specified (Suffix-VL).
3. Auxiliary inlet available right (-JR) or left (-JL) or both sides (-JJ) when specified.
4. Feet bolted to floor using min. 1/2" diameter bolts and back slots on carrier feet.
5. Back anchor foot required for secure installation. (For single carrier only)

Product Number	Dimensions in inches [mm]						Approximate Weight lb [kg]	Notes
	A	B	D	E	H	N		
Z1204-N4	4 [102]		5 [127]	6-5/8 [168]	5-1/2 [140]	8-7/8 [225]	80 [36]	2" no-hub vent connection regularly furnished on right-hand side. Left hand available when specified (-VL). 2" auxiliary inlet available right (-JR) or left (-JL), or both side(-JJ) when specified
Z1204-ND4	4 [102]	-	5 [127]	6-5/8 [168]	5-1/2 [140]	13-1/4 [337]	134 [61]	
Z1204-INL4	4 [102]	4 [102]	5 [127]	6-5/8 [168]	5-1/2 [140]	8-7/8 [225]	85 [39]	2" no-hub vent located on same side as 3", 4" side inlet 2" no-hub auxiliary inlet located opposite 3", 4" side inlet when specified. (-JL or -JR)
Z1204-INR4								
Z1204-INL43		3 [76]						
Z1204-INR43								
Z1204-IND4		4 [102]						
Z1204-IND43	4 [102]	3 [76]	5 [127]	6-5/8 [168]	5-1/2 [140]	13-1/4 [337]	137 [62]	One 4" side inlet as indicated 2" no-hub auxiliary inlet located opposite 4" side inlet when specified
Z1204-2N4	4 [102]	4 [102]	5 [127]	6-5/8 [168]	5-1/2 [140]	8-7/8 [225]	88 [40]	2" no-hub vent connection regularly furnished on right side. Left-hand available when specified (-VL)
Z1204-2N43		3 [76]						
Z1204-2ND4	4 [102]	4 [102]	5 [127]	6-5/8 [168]	5-1/2"	13-1/4 [337]	139 [63]	Two 3", 4" side inlets as indicated
Z1204-2ND43		3 [76]						



Z1204-N (Single)

*Regularly furnished unless otherwise specified.

For additional product information, please visit www.zurn.com

Ⓢ This symbol denotes a product that is engineered to reduce installation and rework time.

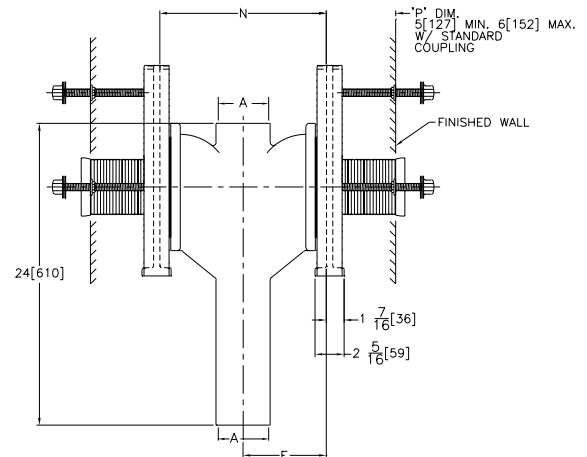
For Additional System Tools See "Z1200 Carrier Tools and Accessories" on page 222

Z1204-N ADJUSTABLE VERTICAL SIPHON JET – NO-HUB SERIES

PREFIXES	DESCRIPTION	SINGLE	DOUBLE
Z1204*	D.C.C.I. System with 4" Adjustable Coupling		Combine with Fitting Type for Pricing
ZQ1204	D.C.C.I. System with NPT Faceplate Non-Adjustable Coupling		
FITTING TYPE			
-N4	4" No-Hub Stack, Single Inlet, 2" Right-Hand Vent	1,172.00	-
-ND4	4" No-Hub Stack, Double Inlet, 2" Vent	-	1,866.00
-INL4	4" No-Hub Stack, Single Inlet, (1) 4" Left-Hand Side Inlet, 2" Left-Hand Vent	1,306.00	-
-INR4	4" No-Hub Stack, Single Inlet, (1) 4" Right-Hand Side Inlet, 2" Right-Hand Vent	1,306.00	-
-INL43	4" No-Hub Stack, Single Inlet, (1) 3" Left-Hand Side Inlet, 2" Left-Hand Vent	1,306.00	-
-INR43	4" No-Hub Stack, Single Inlet, (1) 3" Right-Hand Side Inlet, 2" Right-Hand Vent	1,306.00	-
-IND4	4" No-Hub Stack, Double Inlet, (1) 4" Side Inlet, 2" Vent	-	2,030.00
-IND43	4" No-Hub Stack, Double Inlet, (1) 3" Side Inlet, 2" Vent	-	2,030.00
-2N4	4" No-Hub Stack, Single Inlet, (2) 4" Side Inlets, 2" Right-Hand Vent	1,420.00	-
-2N43	4" No-Hub Stack, Single Inlet, (2) 3" Side Inlets, 2" Right-Hand Vent	1,420.00	-
-2ND4	4" No-Hub Stack, Double Inlets, (2) 4" Side Inlets, 2" Vent	-	2,145.00
-2ND43	4" No-Hub Stack, Double Inlets, (2) 3" Side Inlets, 2" Vent	-	2,145.00

SUFFIXES	DESCRIPTION	SINGLE	DOUBLE
-A	Auxiliary Support Assembly (Required For P-Dim. Greater than 18")	551.00	1,101.00
-B	Blowout Type Fixture Support	N/C	N/C
-CC	Corrosion Resistant Cast Iron Coupling (6" to 12")	N/C	N/C
-CL	Custom length greater than 12"- Per Inch (Specify Length)	66.00	131.00
-JJ	Two 2" Auxiliary Inlets	298.00	595.00
-JL	2" Left-Hand Auxiliary Inlet	147.00	294.00
-JR	2" Right-Hand Auxiliary Inlet	147.00	294.00
-M	Auxiliary Foot Support (Required For P-Dim. 10" thru 18")	433.00	477.00
-VP	Vandal-Proof Trim	139.00	279.00
-X3	3" Foot Extension Assembly	66.00	129.00
-X4	4" Foot Extension Assembly	87.00	168.00
Ⓞ -45	Finishing Frame for Siphon Jet System (For Blowout System specify -45-B)	57.00	107.00
Ⓞ -50	Flush Valve Supply Support for Water Closet (Previously Z1210-50)	56.00	112.00
		DEDUCT	
-F	Floor Mounted, Back Outlet Fixture Support	-117.00	-231.00

Z1204-ND (Double)



Ⓞ This symbol denotes a product that is engineered to reduce installation and rework time. For Additional System Tools See "Z1200 Carrier Tools and Accessories" on page 222

*Regularly furnished unless otherwise specified. For additional product information, please visit www.zurn.com

Z1207-N ADJUSTABLE HORIZONTAL HIGH ROUGH-IN SIPHON JET – NO-HUB



ENGINEERING SPECIFICATION

Zurn Z1207-N() adjustable, horizontal, high rough-in siphon jet water closet provides a rigid system with 4" size no-hub connections. Comes complete with Dura-Coated cast iron right-hand, left-hand, or double main fitting, with 2" vent, adjustable gasketed faceplate, universal floor mounted foot supports, corrosion resistant adjustable ABS coupling with integral test cap, fixture bolts, trim, and stud protectors. Rear anchor tie down and bonded "Neo-Seal" gasket.

NOTES

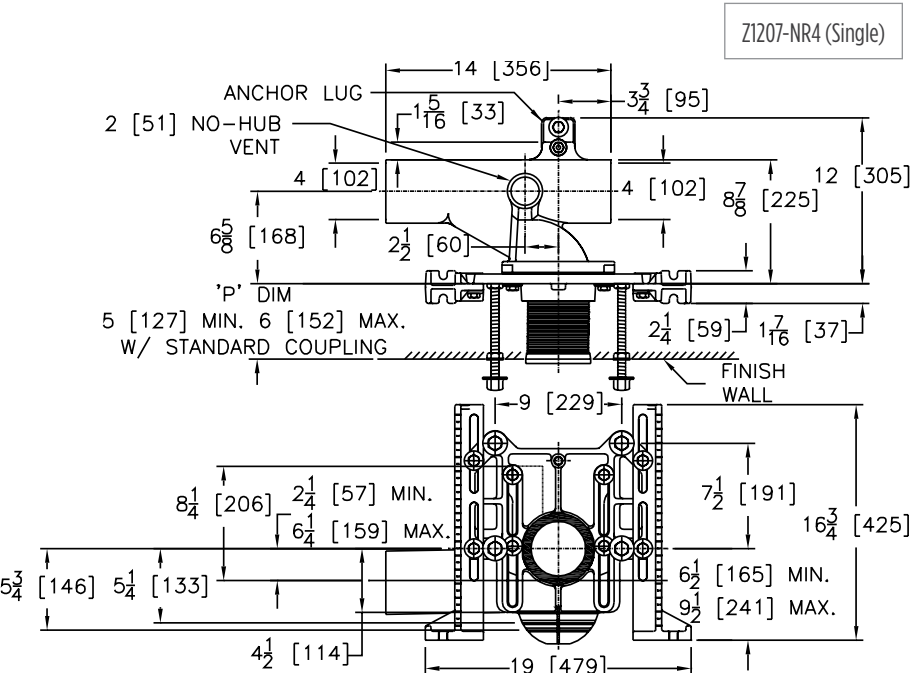
1. 13-1/2" minimum space required between front of foot and rear of anchor to install Z1207-N4 Series.
2. Minimum "P" dimension obtainable = 2".
3. Feet anchored to floor using minimum 1/2" diameter anchors through rear slots on carrier feet.
4. Rear anchor foot required for secure installation.



Z1200-CPLGWRNCH-4 - 86.00

Product Number	Approximate Weight lb [kg]
Z1207-NL4	87 [39]
Z1207-NR4	87 [39]
Z1207-ND4	115 [52]

PREFIXES	DESCRIPTION	SINGLE	DOUBLE
Z1207*	D.C.C.I. System with 4" Adjustable Coupling	Combine with Fitting Type for Pricing	
ZQ1207	D.C.C.I. System with NPT Faceplate Non-Adjustable Coupling		
FITTING TYPE			
-NR4	4" No-Hub Right-Hand Inlet with Flow to Left	1,121.00	-
-NL4	4" No-Hub Left-Hand Inlet with Flow to Right	1,121.00	-
-ND4	4" No-Hub Back-to-Back Inlet (Double)	-	2,095.00
SUFFIXES		ADD	
-A	Auxiliary Support Assembly (Required For P-Dim. Greater than 18")	551.00	1,101.00
-B	Blowout Type Fixture Support	N/C	N/C
-CC	Corrosion Resistant Cast Iron Coupling (6" to 12")	36.00	72.00
-CL	Custom length greater than 12" - Per Inch (Specify Length)	66.00	131.00
-M	Auxiliary Foot Support (Required For P-Dim. 10" thru 18")	206.00	477.00
-VP	Vandal-Proof Trim	139.00	279.00
-X3	3" Foot Extension Assembly	66.00	129.00
-X4	4" Foot Extension Assembly	87.00	168.00
Ⓢ -45	Finishing Frame for Siphon Jet System (For Blowout System specify -45-B)	53.00	107.00
Ⓢ -50	Flush Valve Supply Support for Water Closet (Previously Z1210-50)	56.00	112.00
		DEDUCT	
-F	Floor Mounted, Back Outlet Fixture Support	-117.00	-231.00



*Regularly furnished unless otherwise specified.

For additional product information, please visit www.zurn.com

Ⓢ This symbol denotes a product that is engineered to reduce installation and rework time.

For Additional System Tools See "Z1200 Carrier Tools and Accessories" on page 222

Z1208-N VERTICAL SIPHON JET WATER CLOSET SUPPORT SYSTEM – NO-HUB

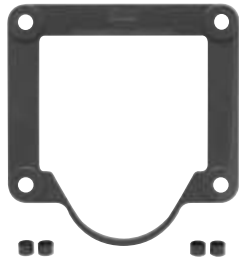


ENGINEERING SPECIFICATION

Zurn Z1208-N() vertical siphon jet water closet provides a rigid system with () size no-hub connections. Comes complete with Dura-Coated cast iron main fitting, separable faceplate rigidly mounted on fitting, universal floor mounted foot supports, corrosion resistant adjustable polymer coupling with integral test cap, fixture bolts, trim, and stud protectors. Includes rear anchor tie down, and bonded Neo-Seal gasket.

NOTES

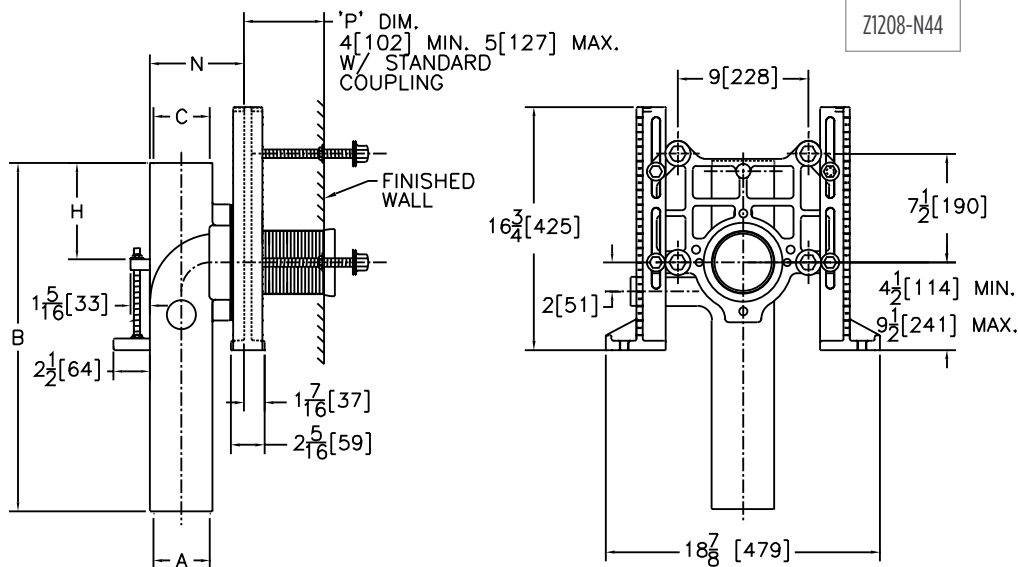
1. Minimum "P" dimension obtainable = 2".
2. Feet anchored to floor using minimum 1/2" diameter anchors through rear slots on carrier feet.
3. Rear anchor foot required for secure installation.



Z1200-FINFRAME-SJ

Product Number	Dimensions in inches [mm]					Approximate Weight lb [kg]
	A	B	C	H	N	
Z1208-N32	3 [76]	18 [457]	2 [51]	4-3/8 [111]	6-1/4 [159]	60 [27]
Z1208-N42	4 [102]	24 [610]		4-7/8 [124]	6-5/8 [168]	70 [32]
Z1208-N44			4 [102]	6-1/2 [165]		72 [33]

PREFIXES	DESCRIPTION	Combine with Fitting Type for Pricing
Z1208*	D.C.C.I. System with 4" Adjustable Coupling	
FITTING TYPE		
-N32	3" No-Hub, 2" No-Hub Vent	921.00
-N42	4" No-Hub, 2" No-Hub Vent	921.00
-N44	4" No-Hub, 4" No-Hub Vent	921.00
SUFFIXES		
		ADD
-A	Auxiliary Support Assembly (Required For P-Dim. Greater than 18")	551.00
-B	Blowout Type Fixture Support	N/C
-CC	Corrosion Resistant Cast Iron Coupling (6" to 12")	36.00
-CL	Custom length greater than 12" - Per Inch (Specify Length)	66.00
-JJ	Two 2" Auxiliary Inlets	298.00
-JL	2" Left-Hand Auxiliary Inlet	147.00
-JR	2" Right-Hand Auxiliary Inlet	147.00
-M	Auxiliary Foot Support (Required For P-Dim. 10" thru 18")	206.00
-VP	Vandal-Proof Trim	139.00
-X3	3" Foot Extension Assembly	66.00
-X4	4" Foot Extension Assembly	87.00
Ⓞ -45	Finishing Frame for Siphon Jet System (For Blowout System specify -45-B)	53.00
Ⓞ -50	Flush Valve Supply Support for Water Closet	56.00
DEDUCT		
-F	Floor Mounted, Back Outlet Fixture Support	-117.00



Ⓞ This symbol denotes a product that is engineered to reduce installation and rework time. For Additional System Tools See "Z1200 Carrier Tools and Accessories" on page 222

*Regularly furnished unless otherwise specified. For additional product information, please visit www.zurn.com

Z1208-H VERTICAL SIPHON JET WATER CLOSET SUPPORT SYSTEM – HUB AND SPIGOT



ENGINEERING SPECIFICATION

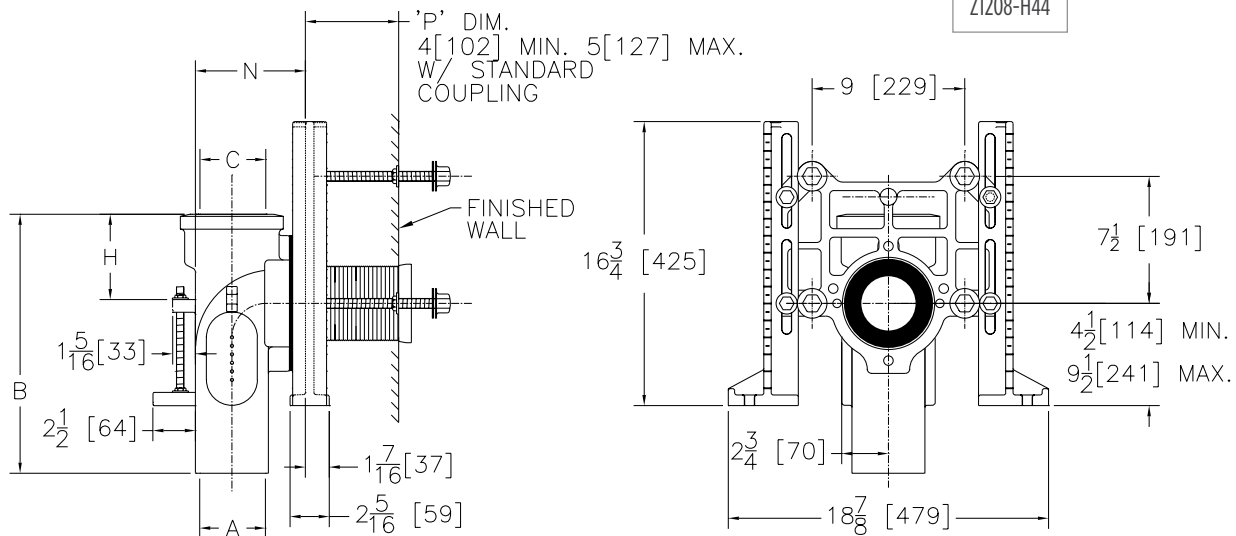
Zurn Z1208-H() vertical siphon jet water closet provides a rigid system with () size hub and spigot connections. Comes complete with Dura-Coated cast iron main fitting, separable faceplate rigidly mounted on fitting, universal floor mounted foot supports, corrosion resistant adjustable polymer coupling with integral test cap, fixture bolts, trim, and stud protectors. Includes rear anchor tie down, and bonded Neo-Seal gasket.

NOTES

1. Minimum "P" dimension obtainable = 2".
2. Feet anchored to floor using minimum 1/2" diameter anchors through rear slots on carrier feet.
3. Rear anchor foot required for secure installation.

Product Number	Dimensions in inches [mm]					Approximate Weight lb [kg]
	A	B	C	H	N	
Z1208-H42	4 [102]	14-3/4 [375]	2 [51]	4-3/8 [111]	6-1/4 [159]	60 [27]
Z1208-H44		15-1/4 [387]	4 [102]	4-7/8 [124]	7-5/16 [186]	63 [29]

PREFIXES	DESCRIPTION	
Z1208*	D.C.C.I. System with 4" Adjustable Coupling	Combine with Fitting Type for Pricing
FITTING TYPE		
-H42	4" Spigot, 2" Hub Vent	921.00
-H44	4" Spigot, 4" Hub Vent	921.00
SUFFIXES		
-A	Auxiliary Support Assembly (Required For P-Dim. Greater than 18")	551.00
-B	Blowout Type Fixture Support	N/C
-CC	Corrosion Resistant Cast Iron Coupling (6" to 12")	36.00
-CL	Custom length greater than 12" - Per Inch (Specify Length)	66.00
-JJ	Two 2" Auxiliary Inlets	298.00
-JL	2" Left-Hand Auxiliary Inlet	147.00
-JR	2" Right-Hand Auxiliary Inlet	147.00
-M	Auxiliary Foot Support (Required For P-Dim. 10" - 18")	206.00
-VP	Vandal-Proof Trim	139.00
-X3	3" Foot Extension Assembly	66.00
-X4	4" Foot Extension Assembly (Previously Z1210-29)	87.00
Ⓢ -45	Finishing Frame for Siphon Jet System (For Blowout System specify -45-B)	53.00
Ⓢ -50	Flush Valve Supply Support for Water Closet	56.00
DEDUCT		
-F	Floor Mounted, Back Outlet Fixture Support	(117.00)



*Regularly furnished unless otherwise specified.

For additional product information, please visit www.zurn.com

Ⓢ This symbol denotes a product that is engineered to reduce installation and rework time.

For Additional System Tools See "Z1200 Carrier Tools and Accessories" on page 222

Z1209-N VERTICAL OFFSET SIPHON JET WATER CLOSET SUPPORT SYSTEM – NO-HUB



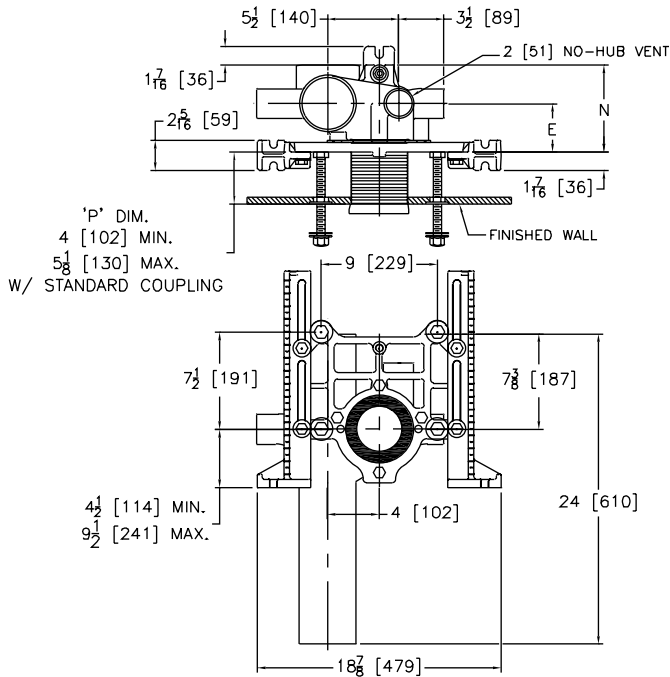
ENGINEERING SPECIFICATION

Zurn Z1209-N()4 vertical offset siphon jet water closet provides a rigid system with () size no-hub connections and 2" vent. Comes complete with Dura-Coated cast iron main fitting, universal floor mounted supports, adjustable faceplate, corrosion resistant adjustable polymer coupling with integral test cap, fixture bolts, trim, and stud protectors. Includes rear anchor tie down and bonded Neo-Seal gasket.

NOTES

1. Minimum "P" dimension obtainable = 2".
2. Feet anchored to floor using minimum 1/2" diameter anchors through rear slots on carrier feet.
3. Rear anchor foot required for secure installation.

Z1209-NR



Product Number	Dimensions in inches [mm]		Approximate Weight lb [kg]
	A	B	
Z1209-NL4	3-3/4 [95]	6-3/4 [171]	67 [30]
Z1209-NR4	4-1/8 [104]	8-1/4 [210]	109 [49]

PREFIXES	DESCRIPTION	Combine with Fitting Type for Pricing
Z1209*	D.C.C.I. System with 4" Adjustable Coupling	

FITTING TYPE		
-NL4	4" No-Hub Stack, Left-Hand Offset Inlet, 2" Left-Hand Vent	948.00 -
-NR4	4" No-Hub Stack, Right-Hand Offset Inlet, 2" Right-Hand Vent	948.00 -
-ND4	4" No-Hub Stack, Double Inlet, 2" Vent	- 1,690.00

SUFFIXES		ADD	
-B	Blowout Type Fixture Support	N/C	N/C
-CC	Corrosion Resistant Cast Iron Coupling (6" to 12")	36.00	72.00
-CL	Coupling Length Greater than 12"- Per Inch (Specify Length)	66.00	131.00
-JJ	Two 2" Auxiliary Inlets	538.00	538.00
-JS	Stack Side 2" Auxiliary Inlet	269.00	269.00
-JV	Vent Side 2" Auxiliary Inlet	269.00	269.00
-M	Auxiliary Foot Support (Required for P-Dim. 10" thru 18")	240.00	479.00
Ⓢ -PF	Pre-Fab Foot	N/C	N/C
Ⓢ -PS	Pre-Fab Slotted Foot	N/C	N/C
Ⓢ -RYK	Unistrut Pre-Fab Foot	N/C	N/C
-VP	Vandal-Proof Trim	139.00	279.00
-X3	3" Foot Extension Assembly	66.00	129.00
-X4	4" Foot Extension Assembly	87.00	168.00
Ⓢ -45	Finishing Frame for Siphon Jet System (For Blowout System specify -45-B)	53.00	107.00
Ⓢ -50	Flush Valve Supply Support for Water Closet (Previously Z1210-50)	56.00	112.00
		DEDUCT	
-F	Floor Mounted, Back Outlet Fixture Support	-117.00	-231.00

Ⓢ This symbol denotes a product that is engineered to reduce installation and rework time. For Additional System Tools See "Z1200 Carrier Tools and Accessories" on page 222

*Regularly furnished unless otherwise specified. For additional product information, please visit www.zurn.com

INTRO
ROOF DRAINS
FLOOR DRAINS
T, P, BW VALVES
INTERCEPTORS
CARRIERS
HYDRANTS
CLEANOUTS
WHA
SS DRAINS
FAB SS DRAINS
SAN-FLOOR
TECH INFO

ZN1209-N VERTICAL OFFSET SIPHON JET – NO-HUB NARROW WALL SYSTEM



ENGINEERING SPECIFICATION

Zurn ZN1209-N() 4 narrow wall vertical offset siphon jet water closet provides a rigid system with 4" size no-hub connection and 2" vent. Comes complete with Dura-Coated cast iron main fitting, separable faceplate rigidly mounted on fitting, universal floor mounted supports, corrosion resistant adjustable ABS coupling with integral test cap, fixture bolts, trim, and stud protectors. Includes rear anchor tie down and bonded Neo-Seal gasket.

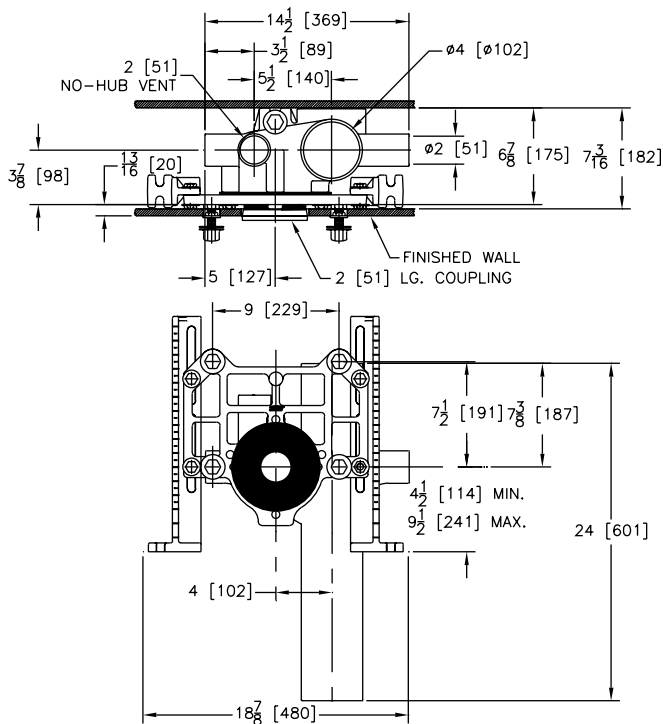
NOTES

1. Feet anchored to floor using minimum 1/2" diameter anchors through rear slots on carrier feet.
2. Rear anchor foot required for secure installation.

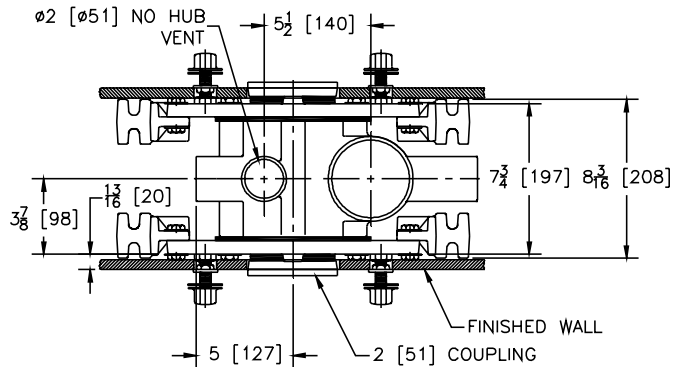
Product Number	Approximate Weight lb [kg]
ZN1209-NL4	67 [30]
ZN1209-NR4	67 [30]
ZN1209-ND4	109 [49]

PREFIXES	DESCRIPTION	SINGLE	DOUBLE
ZN1209*	D.C.C.I. System with 4" Adjustable Coupling	Combine with Fitting Type for Pricing	
FITTING TYPE			
-NL4	4" No-Hub Stack, Left-Hand Offset Inlet, 2" Left-Hand Vent	948.00	-
-NR4	4" No-Hub Stack, Right-Hand Offset Inlet, 2" Right-Hand Vent	948.00	-
-ND4	4" No-Hub Stack, Double Inlet, 2" Vent	-	1,690.00
SUFFIXES			ADD
-B	Blowout Type Fixture Support	N/C	N/C
-CC	Corrosion Resistant Cast Iron Coupling (6" to 12")	36.00	65.00
-JJ	Two 2" Auxiliary Inlets	538.00	538.00
-JS	2" Stack Side Auxiliary Inlet	269.00	269.00
-JV	2" Vent Side Auxiliary Inlet	269.00	269.00
-VP	Vandal-Proof Trim	139.00	279.00
-X3	3" Foot Extension Assembly	66.00	129.00
-X4	4" Foot Extension Assembly	87.00	168.00
Ⓞ -45	Finishing Frame for Siphon Jet System (For Blowout System specify -45-B)	53.00	107.00
Ⓞ -50	Flush Valve Supply Support for Water Closet (Previously Z1210-50)	56.00	112.00

ZN1209-NL4 (Single)



ZN1209-ND4 (Double)



*Regularly furnished unless otherwise specified.

For additional product information, please visit www.zurn.com

Ⓞ This symbol denotes a product that is engineered to reduce installation and rework time.

For Additional System Tools See "Z1200 Carrier Tools and Accessories" on page 222

Z1212 WALL CLOSET SUPPORT SYSTEM



ENGINEERING SPECIFICATION

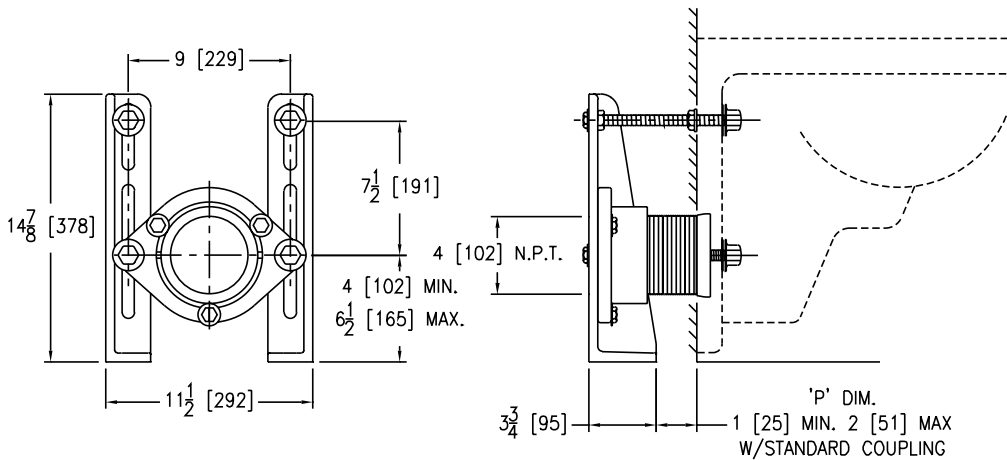
Zurn Z1212 Dura-Coated cast iron wall closet support system comes complete with adjustable faceplate rigidly mounted on reversible foot supports, ABS coupling with integral test cap, fixture bolts, trim, stud protectors, and bonded Neo-Seal gasket.

NOTES

1. For plastic pipe installation, use male thread by socket adaptor – DO NOT THREAD PLASTIC PIPE. (Per ASTM Specification #D2665 X1.6.1.)
2. Piping must be rigidly secured to prevent deflection (by others).

Product Number	Approximate Weight lb [kg]
Z1212	30 [14]

PREFIXES	DESCRIPTION	PIPE SIZE	LIST PRICE
Z1212	D.C.I. System with 4" Adjustable Coupling	4"	775.00
SUFFIXES			ADD
-B	Adapter for Blowout Type Fixture Support		N/C
-CL	Custom length greater than 12" - Per Inch (Specify Length)		66.00
-F	Floor Mounted, Back Outlet Fixture Support		N/C
-VP	Vandal-Proof Finish Trim		139.00
-X4	4" Foot Extension Assembly		86.00
Ⓢ -45	Finishing Frame for Siphon Jet System (For Blowout System specify -45-B)		53.00



Ⓢ This symbol denotes a product that is engineered to reduce installation and rework time.
For Additional System Tools See "Z1200 Carrier Tools and Accessories" on page 222

*Regularly furnished unless otherwise specified.
For additional product information, please visit www.zurn.com

INTRO ROOF DRAINS FLOOR DRAINS T, P, BW VALVES INTERCEPTORS CARRIERS HYDRANTS CLEANOUTS W/HA SS DRAINS FAB SS DRAINS SAN-FLOOR TECH INFO

Z1213-N 4" VERTICAL SIPHON JET WATER CLOSET SUPPORT SYSTEM – 2" OR 4" TOP VENT CLOSET FITTING ONLY (NO SUPPORT)



ENGINEERING SPECIFICATION

Zurn Z1213-N4() vertical siphon jet water closet provides a rigid system with 4" No-Hub connection and 2" or 4" (specify) top vent connection. Comes complete with Dura-Coated cast iron main fitting, corrosion-resistant, adjustable ABS coupling with integral test cap, bolt kit, and bonded Neo-Seal gasket for floor mounted back outlet water closet. Standard fixture support is not required.

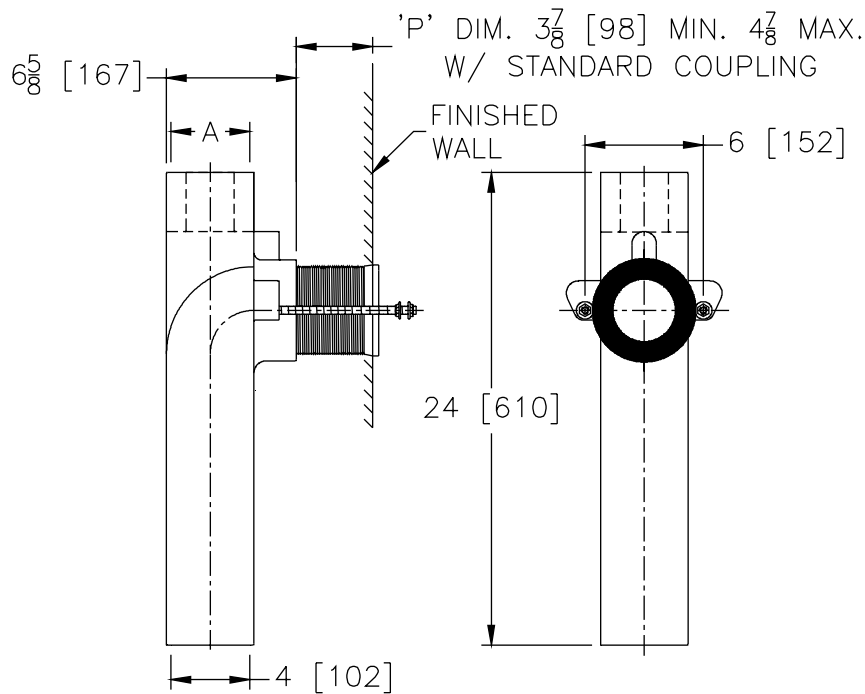
NOTES

Minimum "P" dimension obtainable = 1-1/4" [32].

Product Number	A Vent Size	Approximate Weight lb [kg]
Z1213-N42	2 [51]	19 [9]
Z1213-N44	4 [102]	

PREFIXES	DESCRIPTION	"A" VENT SIZE	LIST PRICE
Z1213*	D.C.C.I. System with 4" Adjustable Coupling	2"	987.00
FITTING TYPE			
-N42	4" No-Hub, 2" No-Hub Vent		987.00
-N44	4" No-Hub, 4" No-Hub Vent		987.00
SUFFIXES			
-CC	Corrosion Resistant Cast Iron Coupling - 6" thru 12" long (Cannot be used with -CL)		36.00
-CL	Coupling Length Greater than 12" - Per inch (Cannot be used with -CC)		76.00

Z1213-N44



*Regularly furnished unless otherwise specified.

For additional product information, please visit www.zurn.com

Ⓢ This symbol denotes a product that is engineered to reduce installation and rework time.

For Additional System Tools See "Z1200 Carrier Tools and Accessories" on page 222

Z1216 90° DOUBLE NO-HUB SYSTEM FOR FLOOR MOUNTED BACK OUTLET WATER CLOSETS

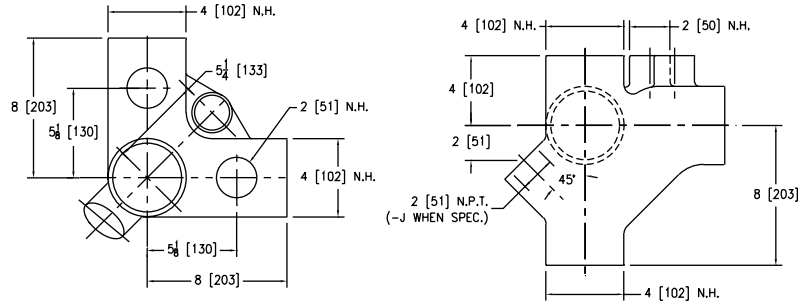


ENGINEERING SPECIFICATION

Zurn Z1216 Dura-Coated cast iron 90° water closet features double no-hub fitting with anti-crossover baffles and 2" no-hub center vent for floor mounted, back outlet water closets.

Product Number	Approximate Weight lb [kg]
Z1216	31 [14]

PREFIXES	DESCRIPTION	VENT SIZE	LIST PRICE
Z1216*	D.C.C.I. No-Hub System	2"	941.00
SUFFIXES			ADD
-J	45° Auxiliary Inlet		269.00



⌚ This symbol denotes a product that is engineered to reduce installation and rework time.
For Additional System Tools See "Z1200 Carrier Tools and Accessories" on page 222

*Regularly furnished unless otherwise specified.
For additional product information, please visit www.zurn.com

Z1217 COUPLING TYPE SYSTEM – WALL URINAL/SERVICE SINK



ENGINEERING SPECIFICATION

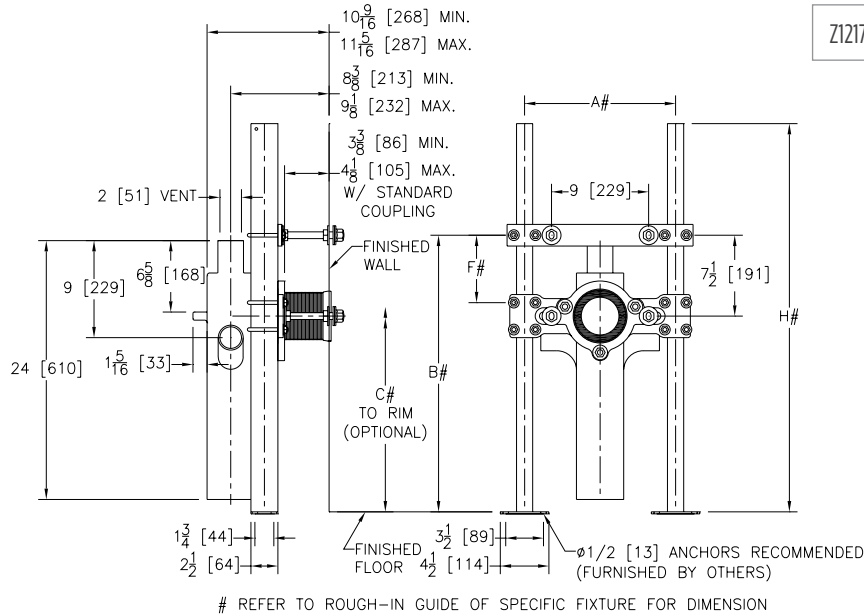
Zurn Z1217 service sink support system with fitting. Complete with Dura-Coated rectangular steel uprights with welded feet, adjustable face plate and upper support plate, Z1208 fitting with 2" vent, corrosion-resistant adjustable ABS coupling with internal test cap, fixture bolts, trim and bonded "Neo-Seal" gasket.

NOTES

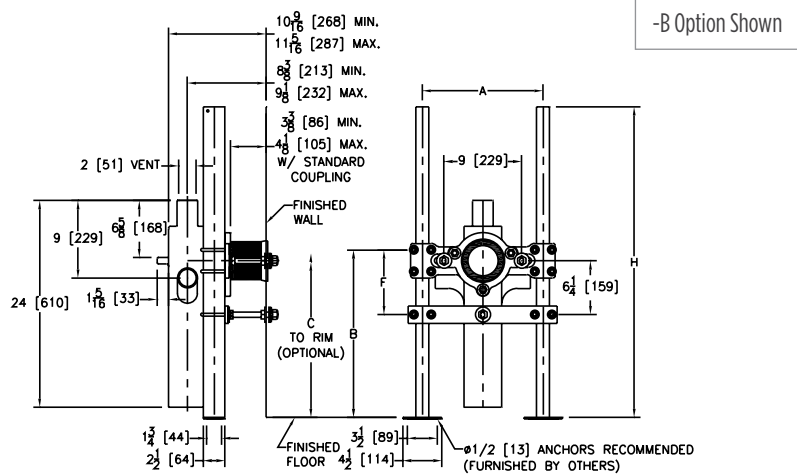
Dimensional data for letter dimensions depends on fixture type and manufacturer. See Zurn Carrier/Fixture Rough-In information at www.zurn.com for specific rough-in dimensions.

Product Number	Outlet inch [mm]	Approximate Weight lb [kg]
Z1217	4 [102]	63 [29]

PREFIXES	DESCRIPTION	VENT SIZE	LIST PRICE
Z1217*	D.C.C.I. No-Hub System with "ZZ" Coupling	2"	1,398.00
SUFFIXES			ADD
-B	Blow-Out Type Fixture Support		N/C
-CC	Corrosion Resistant 6" Long Cast Iron Coupling		36.00
-CL	Custom length greater than 6" - Per Inch (Specify Length)		63.00
-F4	Z1208 Fitting with 4" Vent		N/C
-F32	3" Z1208 Fitting with 4" Vent		N/C
-VP	Vandal-Proof Trim		99.00
-WS	Wall Support Valve Plate (Specify Valve Name and Number)		114.00



Z1217



-B Option Shown

*Regularly furnished unless otherwise specified.

For additional product information, please visit www.zurn.com

Ⓞ This symbol denotes a product that is engineered to reduce installation and rework time.

For Additional System Tools See "Z1200 Carrier Tools and Accessories" on page 222

Z1218 COUPLING TYPE SYSTEM – WALL URINAL/SERVICE SINK



ENGINEERING SPECIFICATION

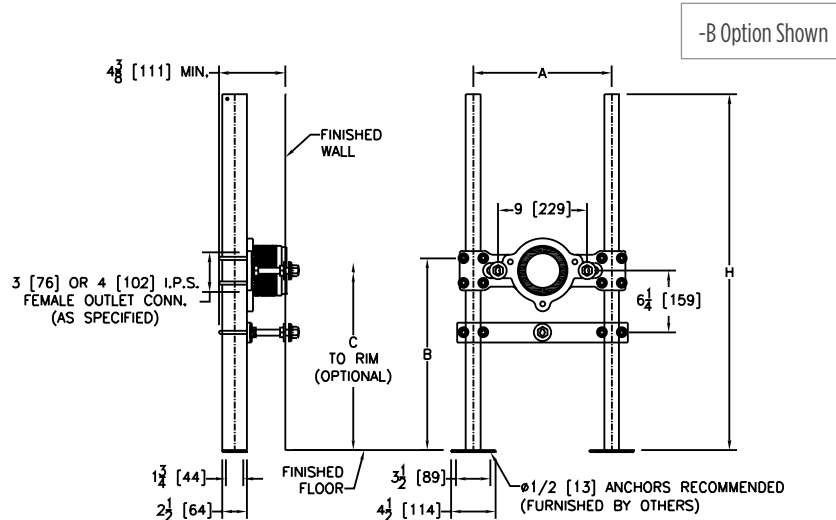
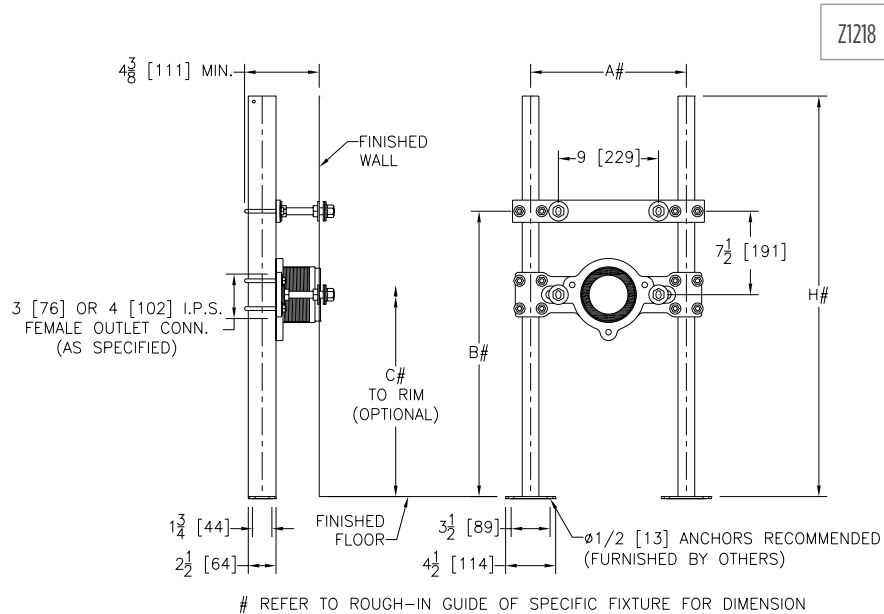
Zurn Z1218 service sink support system comes complete with Dura-Coated rectangular steel uprights with welded feet, adjustable faceplate and upper support plate, adjustable corrosion-resistant coupling, fixture bolts, trim, and bonded Neo-Seal gasket.

NOTES

Dimensional data for letter dimensions depends on fixture type and manufacturer. See Zurn Carrier/Fixture Rough-In information at www.Zurn.com for specific rough-in dimensions.

Product Number	Outlet inch [mm]	Approximate Weight lb [kg]
Z1218	3 [76], 4 [102]	63 [29]

PREFIXES	DESCRIPTION	LIST PRICE
Z1218*	Dura-Coated System with Adjustable Coupling	1,075.00
SUFFIXES		ADD
-B	Blow-Out Type Fixture Support	N/C
-VP	Vandal-Proof Trim	139.00
-WS	Wall Support Valve Plate (Specify Valve Name and Number)	174.00



Ⓢ This symbol denotes a product that is engineered to reduce installation and rework time. For Additional System Tools See "Z1200 Carrier Tools and Accessories" on page 222

*Regularly furnished unless otherwise specified. For additional product information, please visit www.zurn.com

Z1221 PLATE TYPE SYSTEM – WALL URINALS



ENGINEERING SPECIFICATION

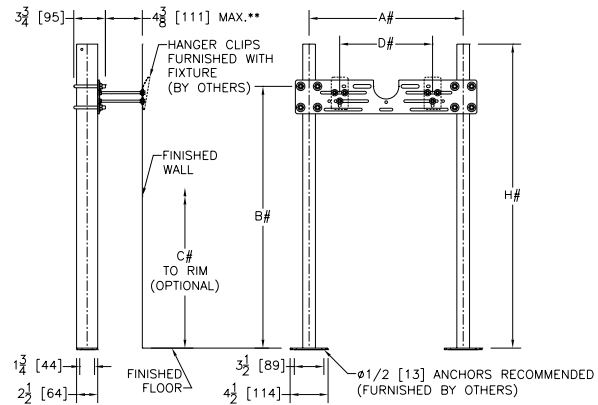
Zurn Z1221 wall urinal support system with top support plate comes complete with Dura-Coated rectangular steel uprights with welded feet, adjustable support plate, and mounting fasteners.

NOTES

Dimensional data for letter dimensions depends on fixture type and manufacturer. See Zurn Carrier/Fixture Rough-In information at www.Zurn.com for specific rough-in dimensions.

Product Number	Approximate Weight lb [kg]
Z1221	28 [13]

PREFIXES	DESCRIPTION	SINGLE	DOUBLE
Z1221*	Dura-Coated System with Universal Plate	328.00	419.00
SUFFIXES		ADD	
⓪ -EZ	Easy-to-Install Assembly	POA	POA
-58	Flush Valve Supply Support	56.00	112.00



** WITH STANDARD STUD LENGTH OF 6 [152]
REFER TO ROUGH-IN GUIDE OF SPECIFIC FIXTURE FOR DIMENSIONS

Z1222 PLATE TYPE SYSTEM – WITH BEARING PLATE



ENGINEERING SPECIFICATION

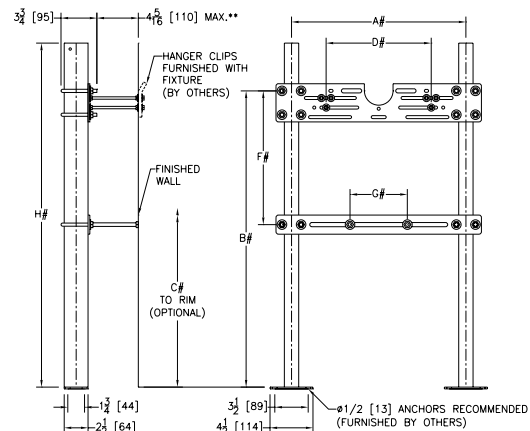
Zurn Z1222 wall urinal support system comes complete with Dura-Coated carbon structural steel rectangular tubing uprights, conforming to ASTM A500 Grade C, with welded base feet having slotted floor anchor holes. Lower bearing plate is vertically adjustable with slot to accommodate bearing jack placement. Upper Universal hanger plate is pre-notched for back spud inlet and designed for various hardware positions and fixtures. Includes mounting fasteners and hardware.

NOTES

Dimensional data for letter dimensions depends on fixture type and manufacturer. See Zurn Carrier/Fixture Rough-In information at www.Zurn.com for specific rough-in dimensions.

Product Number	Approximate Weight lb [kg]
Z1222	30 [14]

PREFIXES	DESCRIPTION	SINGLE	DOUBLE
Z1222*	Dura-Coated System with Universal Plate	378.00	545.00
SUFFIXES		ADD	
⓪ -EZ	Easy-to-Install Assembly	POA	POA
⓪ -UA	Urinal Adapter	155.00	309.00
-58	Flush Valve Supply Support	61.00	122.00



**WITH STANDARD STUD LENGTH OF 6 [152]
REFER TO ROUGH-IN GUIDE OF SPECIFIC FIXTURE FOR DIMENSION

*Regularly furnished unless otherwise specified.

For additional product information, please visit www.zurn.com

⓪ This symbol denotes a product that is engineered to reduce installation and rework time.

For Additional System Tools See "Z1200 Carrier Tools and Accessories" on page 222

Z1223 PLATE TYPE SYSTEM – TROUGH URINALS



ENGINEERING SPECIFICATION

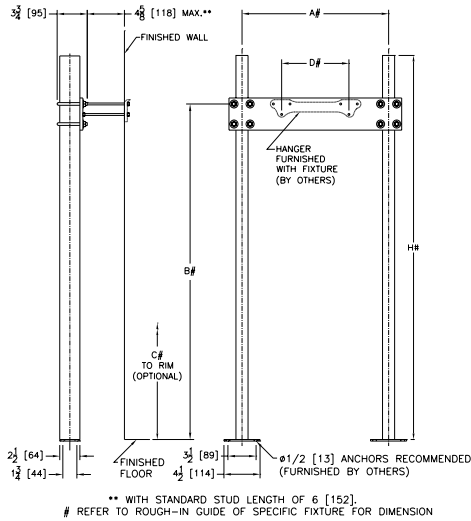
Zurn Z1223 lavatory support system with top support plate comes complete with Dura-Coated rectangular steel uprights with welded feet, adjustable support plate, and mounting fasteners.

NOTES

Dimensional data for letter dimensions depends on fixture type and manufacturer. See Zurn Carrier/Fixture Rough-In information at www.Zurn.com for specific rough-in dimensions.

Product Number	Approximate Weight lb [kg]
Z1223	33 [15]

PREFIXES	DESCRIPTION	LIST PRICE
Z1223*	Dura-Coated System with Support Plate	843.00
SUFFIXES	ADD	
-1	Longer Urinal (For Ea. 1' over 5') Per Foot	248.00
-2	Bearing Plate Assembly	115.00



Z1224 PLATE TYPE SYSTEM – LAVATORY WITH BACK



ENGINEERING SPECIFICATION

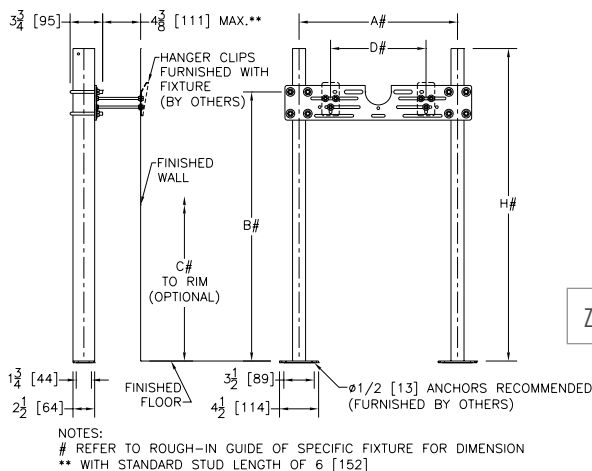
Zurn Z1224 lavatory support system with top support plate comes complete with Dura-Coated rectangular steel uprights with welded feet, adjustable support plate, and mounting fasteners.

NOTES

Dimensional data for letter dimensions depends on fixture type and manufacturer. See Zurn Carrier/Fixture Rough-In information at www.Zurn.com for specific rough-in dimensions.

Product Number	Approximate Weight lb [kg]
Z1224	28 [13]
Z1224-D	52 [24]

PREFIXES	DESCRIPTION	SINGLE	DOUBLE
Z1224*	Dura-Coated System with Universal Plate	328.00	-
Z1224-D	Back-to-Back System	-	419.00
SUFFIXES	ADD		
ⓐ -CB	Carrier Bank (Per Each)	POA	POA
-D	Back-to-Back System	See Prefix Z1224-D	
ⓑ -EZ	Easy-to-Install Assembly	POA	POA
-SL	Stud Length Over 6" - Per Inch (Specify Length)	30.00	61.00
-WS	Wall Support Valve Plate (Specify Valve Name and Number)	174.00	349.00
-2	Bearing Plate Assembly	115.00	227.00



ⓐ This symbol denotes a product that is engineered to reduce installation and rework time.
For Additional System Tools See "Z1200 Carrier Tools and Accessories" on page 222

*Regularly furnished unless otherwise specified.
For additional product information, please visit www.zurn.com

Z1225 PLATE TYPE SYSTEM – WATER COOLERS



ENGINEERING SPECIFICATION

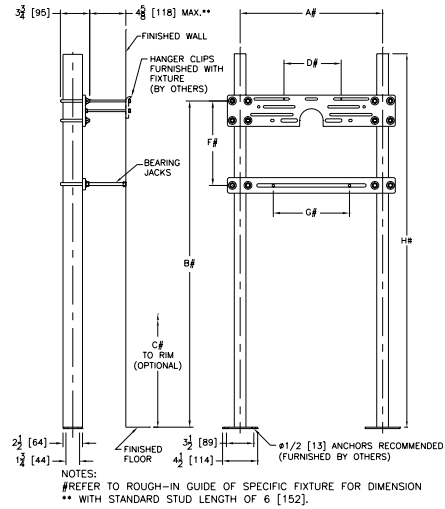
Zurn Z1225 water cooler support system with top and bottom plates comes complete with Dura-Coated rectangular steel uprights with welded feet, adjustable support plates, and mounting fasteners.

NOTES

Dimensional data for letter dimensions depends on fixture type and manufacturer. See Zurn Carrier/Fixture Rough-In information at www.zurn.com for specific rough-in dimensions.

Product Number	Approximate Weight lb [kg]
Z1225	30 [14]
Z1225-D	59 [27]

PREFIXES	DESCRIPTION	SINGLE	DOUBLE
Z1225*	Dura-Coated System with Universal Plate	378.00	-
Z1225-D	Back-to-Back System	-	545.00
SUFFIXES		ADD	
-BL	Bi-Level Cooler Support	257.00	500.00
-CB	Carrier Bank (Per Each)	POA	POA



Z1225 (Single)

Z1229 PLATE AND EXPOSED ARM – HEAVY SINKS



ENGINEERING SPECIFICATION

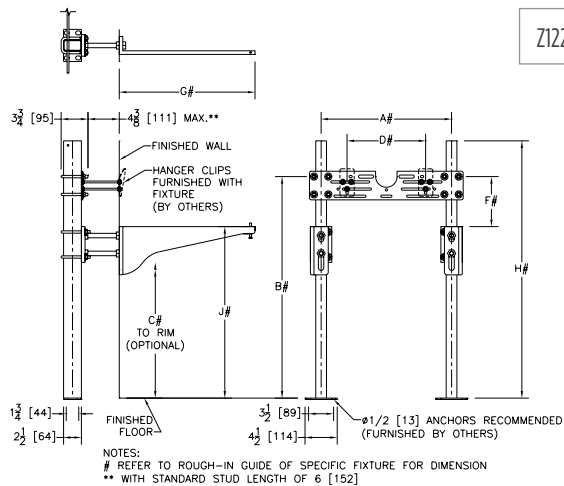
Zurn Z1229 heavy sink support system comes complete with Dura-Coated rectangular steel uprights with welded feet, adjustable top support plate, acid resistant epoxy coated exposed arms mounted on cast iron adjustable header, and mounting fasteners.

NOTES

Dimensional data for letter dimensions depends on fixture type and manufacturer. See Zurn Carrier/Fixture Rough-In information at www.zurn.com for specific rough-in dimensions.

Product Number	Approximate Weight lb [kg]
Z1229	48 [22]

PREFIXES	DESCRIPTION	LIST PRICE
Z1229*	Dura-Coated System with A.R.C. Exposed Arms	1,726.00
SUFFIXES		ADD
-WS	Wall Support Valve Plate (Specify Valve Name and Number)	349.00
-1	Longer Sink - Ea. 1' over 3' (Specify Length per Foot)	496.00



Z1229 (Single)

*Regularly furnished unless otherwise specified.

For additional product information, please visit www.zurn.com

Ⓢ This symbol denotes a product that is engineered to reduce installation and rework time.

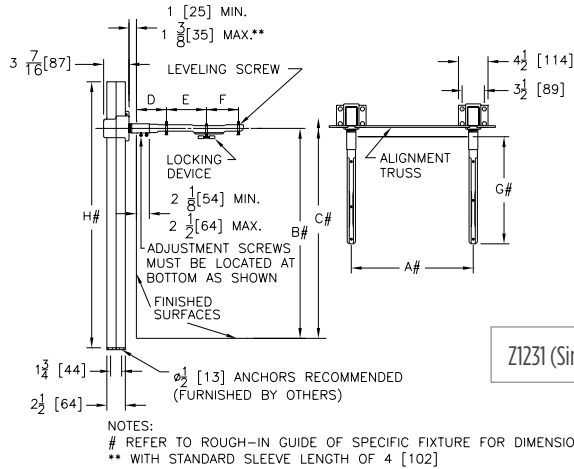
For Additional System Tools See "Z1200 Carrier Tools and Accessories" on page 222

Z1231 CONCEALED ARM SYSTEM – WALL LAVATORIES



ENGINEERING SPECIFICATION

Zurn Z1231 lavatory support system with concealed arms comes complete with Dura-Coated rectangular steel uprights with welded feet, cast iron adjustable headers, concealed arms, steel sleeves, alignment truss, and mounting fasteners.



Z1231 (Single)

Product Number	Approximate Weight lb [kg]
Z1231	45 [20]
Z1231-D	63 [29]

PREFIXES	DESCRIPTION	SINGLE	DOUBLE
Z1231*	Dura-Coated System with Concealed Arms	414.00	-
Z1231-D	Back-to-Back System	-	688.00
SUFFIXES		ADD	
-AL	Adapter Lug	N/C	N/C
-CB	Carrier Bank (Per Each)	POA	POA
-D	Back-to-Back System	See Prefix Z1231-D	
-E2	Concealed Arm Escutcheons 2" Long	104.00	210.00
-SL	Stud Length Over 6" (Per Inch) (Specify Length)	30.00	61.00
-WS	Wall Support Valve Plate (Specify Valve Name and Number)	174.00	349.00
-79	ADA Rough-In	N/C	N/C

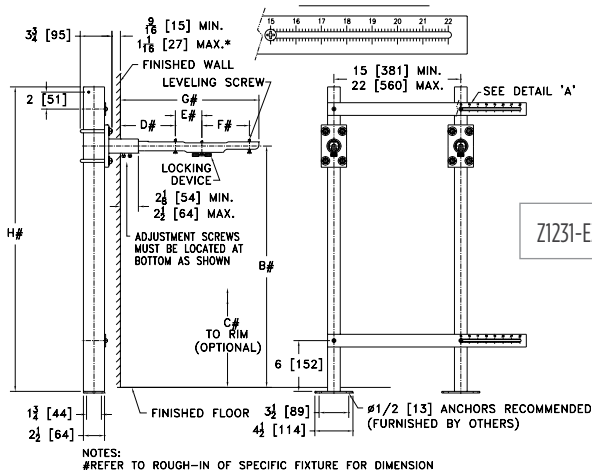
Z1231-EZ CONCEALED ARM SYSTEM – WALL LAVATORIES



ENGINEERING SPECIFICATION

Zurn Z1231-EZ lavatory support system with concealed arms comes complete with Dura-Coated rectangular steel uprights with welded feet, cast iron adjustable headers, concealed arms, steel sleeves, adjusting bars, and mounting fasteners.

Patented



Z1231-EZ (Single)

Product Number	Approximate Weight lb [kg]
Z1231-EZ	45 [20]
Z1231-EZD	63 [29]

PREFIXES	DESCRIPTION	SINGLE	DOUBLE
Z1231-EZ*	Dura-Coated System with Concealed Arms	496.00	-
Z1231-EZ-D	Back-to-Back System	-	830.00
SUFFIXES		ADD	
-AL	Adapter Lug	N/C	N/C
-D	Back-to-Back System	See Prefix Z1231-EZ-D	
-E2	Concealed Arm Escutcheons 2" Long	104.00	210.00

⌚ This symbol denotes a product that is engineered to reduce installation and rework time. For Additional System Tools See "Z1200 Carrier Tools and Accessories" on page 222

*Regularly furnished unless otherwise specified. For additional product information, please visit www.zurn.com

Ⓢ Z1231-EZR CONCEALED ARM SYSTEM – FOR WALL LAVATORIES WITH ADJUSTABLE UPRIGHTS AND HEADER PLATES



Patented

ENGINEERING SPECIFICATION

Zurn Z1231-EZR wall lavatory support system comes complete with Dura-Coated carbon structural steel rectangular tubing uprights, conforming to ASTM A500 Grade C, with welded base feet having slotted floor anchor holes. Lower and upper labor-saving devices are marked with an indexed ruler guide for accurate adjustability of upright spacing from 15" to 22". Individual slotted header plates provide 2" of additional horizontal adjustment per plate, allowing for a total horizontal adjustment range of 11" to 26". Includes Dura-Coated steel sleeves and cast iron concealed arms with leveling screws and soft set elastomeric locking devices. Uprights, labor-saver plates, and header plates are factory assembled for easy installation. Carrier system exceeds load and deflection requirements as outlined in ASME Standard A112.6.1M at all adjustment positions of the uprights and header plates.

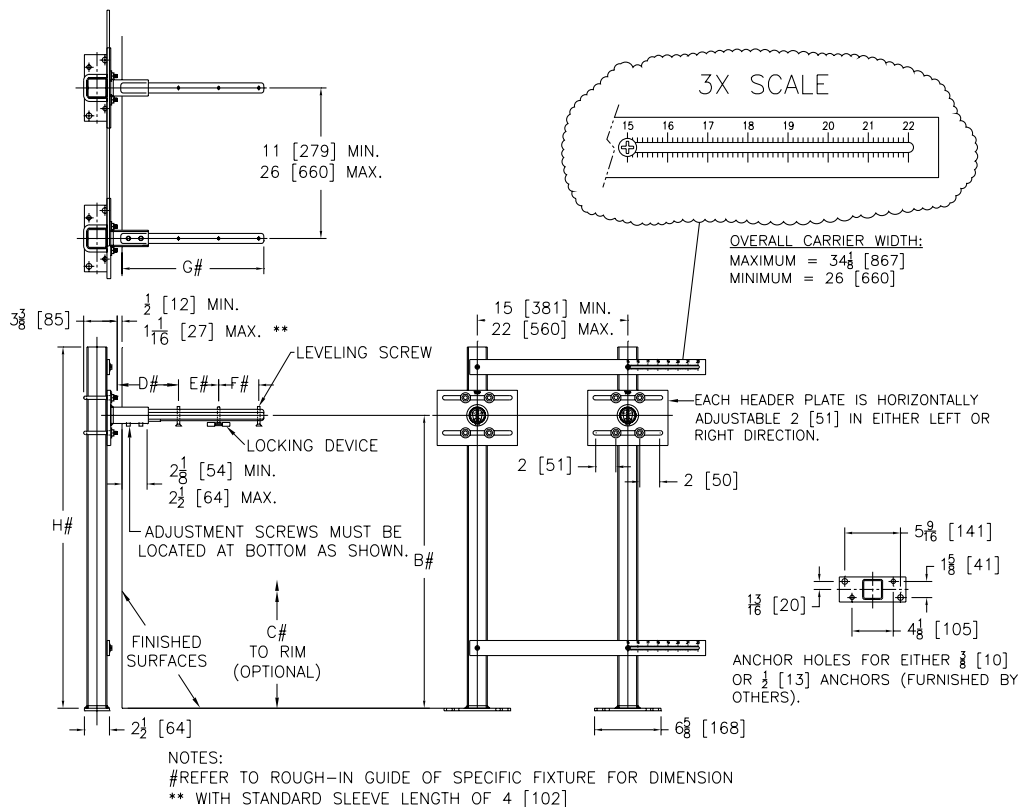
NOTES

Two diagonally spaced anchors per foot are required for correct installation.

Product Number	Approximate Weight lb [kg]
Z1231-EZR	45 [20]
Z1231-EZR-D	63 [29]

PREFIXES	DESCRIPTION	SINGLE	DOUBLE
Z1231-EZR*	Dura-Coated System with Support Plate	1,086.00	-
Z1231-EZR-D	Back-to-Back System	-	1,608.00
SUFFIXES		ADD	
-AL	Adapter Lug	N/C	N/C
-D	Back-to-Back System	See Prefix Z1231-EZR-D	
-E2	Concealed Arm Escutcheons 2" Long	124.00	246.00
-WL	Waste Line Sleeve	POA	POA

Z1231-EZR (Single)



*Regularly furnished unless otherwise specified.

For additional product information, please visit www.zurn.com

Ⓢ This symbol denotes a product that is engineered to reduce installation and rework time.

For Additional System Tools See "Z1200 Carrier Tools and Accessories" on page 222

Z1236 EXPOSED ARM SYSTEM – WALL LAVATORIES/SINKS



ENGINEERING SPECIFICATION

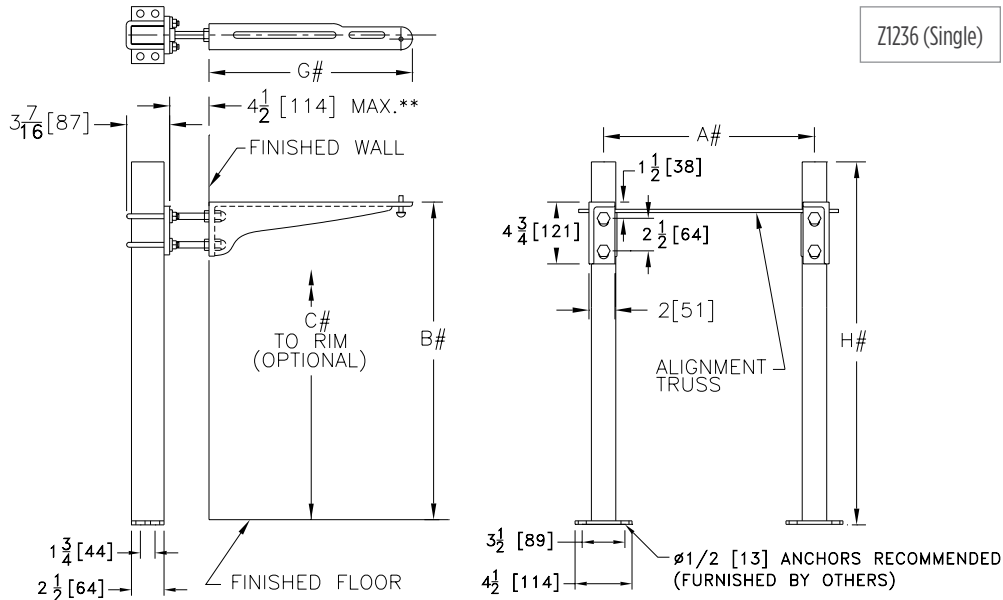
Zurn Z1236 lavatory support system with exposed arms comes complete with Dura-Coated rectangular steel uprights with welded feet, cast iron adjustable headers, acid resistant epoxy coated cast iron arms, alignment truss, and mounting fasteners.

NOTES

Dimensional data for letter dimensions depends upon fixture type and manufacturer. See Zurn Carrier Code Book at www.Zurn.com for specific rough-in dimensions.

Product Number	Approximate Weight lb [kg]
Z1236	60 [27]
Z1236-D	71 [32]

PREFIXES	DESCRIPTION	SINGLE	DOUBLE
Z1236*	Dura-Coated System with A.R.C. Exposed Arms	876.00	-
Z1236-D	Back-to-Back System	-	1,357.00
SUFFIXES		ADD	
-AL	Adapter Lug	N/C	N/C
-D	Back-to-Back System	See Prefix Z1236-D	
-WS	Wall Support Valve Plate (Specify Valve Name and Number)	174.00	349.00



NOTES:
 #REFER TO ROUGH-IN GUIDE OF SPECIFIC FIXTURE FOR DIMENSION
 ** WITH STANDARD STUD LENGTH OF 6 [152].

Ⓢ This symbol denotes a product that is engineered to reduce installation and rework time.
 For Additional System Tools See "Z1200 Carrier Tools and Accessories" on page 222

*Regularly furnished unless otherwise specified.
 For additional product information, please visit www.zurn.com

INTRO
 ROOF DRAINS
 FLOOR DRAINS
 T, P, BW VALVES
 INTERCEPTORS
CARRIERS
 HYDRANTS
 CLEANOUTS
 W/HA
 SS DRAINS
 FAB SS DRAINS
 SANI-FLOOR
 TECH INFO

Z1251 CONCEALED ARM SYSTEM – WALL SUPPORTED

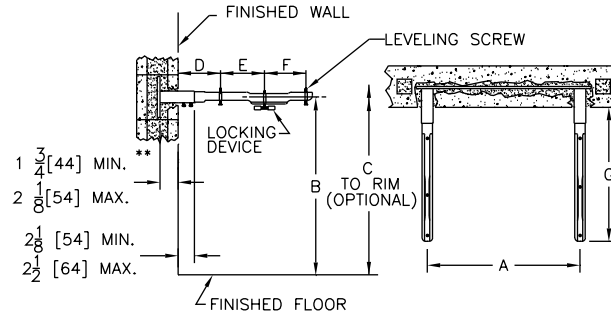


ENGINEERING SPECIFICATION

Zurn Z1251 lavatory support system with concealed arms comes complete with Dura-Coated support plate with integral steel arm sleeves, concealed arms, and mounting fasteners.

Product Number	Approximate Weight lb [kg]
Z1251	18 [8]

PREFIXES	DESCRIPTION	LIST PRICE
Z1251*	Dura-Coated System with Concealed Arms	269.00
SUFFIXES		ADD
-E2	Concealed Arm Escutcheons 2" Long	174.00
-79	ADA Rough-In	N/C



Z1253 ADJUSTABLE CONCEALED ARM SYSTEM – WALL SUPPORTED

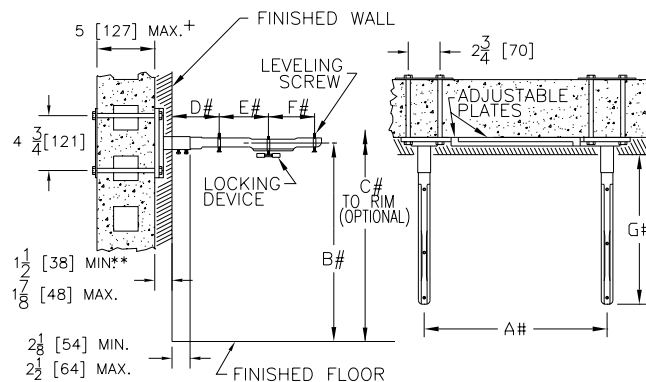


ENGINEERING SPECIFICATION

Zurn Z1253 lavatory support system with concealed arms comes complete with adjustable Dura-Coated support plates with arm sleeves, concealed arms, and mounting fasteners.

Product Number	Approximate Weight lb [kg]
Z1253	18 [8]

PREFIXES	DESCRIPTION	LIST PRICE
Z1253*	Dura-Coated System with Concealed Arms	366.00
SUFFIXES		ADD
-79	ADA Rough-In	N/C



NOTE:

- ** WITH STANDARD SLEEVE LENGTH OF 4 [102]
- + WITH STANDARD STUD LENGTH OF 6 [152]
- # REFER TO ROUGH-IN GUIDE OF SPECIFIC FIXTURE FOR DIMENSION

*Regularly furnished unless otherwise specified.

For additional product information, please visit www.zurn.com

Ⓢ This symbol denotes a product that is engineered to reduce installation and rework time.

For Additional System Tools See "Z1200 Carrier Tools and Accessories" on page 222

Z1255 EXPOSED ARM SYSTEM – WALL SUPPORTED



ENGINEERING SPECIFICATION

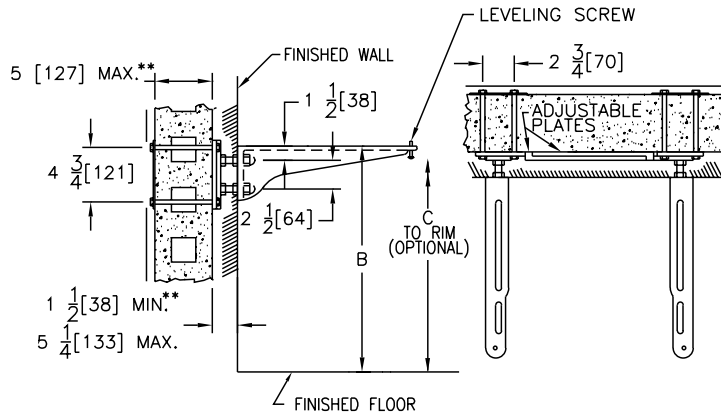
Zurn Z1255 lavatory support system with exposed arms comes complete with adjustable Dura-Coated support plates, acid resistant epoxy coated cast iron exposed arms, and mounting fasteners.

NOTES

Dimensional data for letter dimensions depends upon fixture type and manufacturer. See Zurn Carrier Code Book at www.Zurn.com for specific rough-in dimensions.

Product Number	Approximate Weight lb [kg]
Z1255	25 [11]

PREFIXES	DESCRIPTION	LIST PRICE
Z1255*	Dura-Coated System with A.R.C. Exposed Arms	833.00
SUFFIXES		ADD
Ⓢ -BS	Bar Support Valve Plate (Specify Valve Name and Number)	174.00
-SL	Stud Length Over 6" - Per Inch (Specify Length)	30.00
-VP	Vandal-Proof Trim	176.00



Ⓢ This symbol denotes a product that is engineered to reduce installation and rework time.
For Additional System Tools See "Z1200 Carrier Tools and Accessories" on page 222

*Regularly furnished unless otherwise specified.
For additional product information, please visit www.zurn.com

Z1256 EXPOSED ARM SYSTEM – WALL SUPPORTED

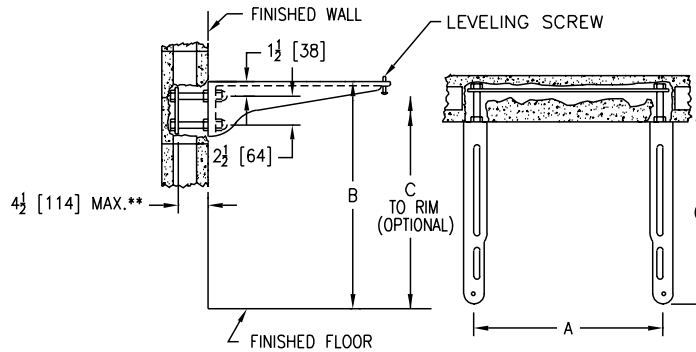


ENGINEERING SPECIFICATION

Zurn Z1256 lavatory support with exposed arms comes complete with Dura-Coated support plates, acid resistant epoxy coated cast iron exposed arms, and mounting fasteners.

NOTES

Dimensional data for letter dimensions depends upon fixture type and manufacturer. See Zurn Carrier Code Book at www.Zurn.com for specific rough-in dimensions.



** WITH STANDARD STUD LENGTH OF 6 [152]

Product Number	Approximate Weight lb [kg]
Z1256	25 [11]

PREFIXES	DESCRIPTION	LIST PRICE
Z1256*	Dura-Coated System with A.R.C. Exposed Arms	734.00
SUFFIXES		ADD
Ⓢ -BS	Bar Support Valve Plate (Specify Valve Name and Number)	174.00
-SL	Stud Length Over 6" - Per Inch (Specify Length)	30.00
-VP	Vandal-Proof Trim	176.00

Z1257 EXPOSED ARM SYSTEM – WALL SUPPORTED

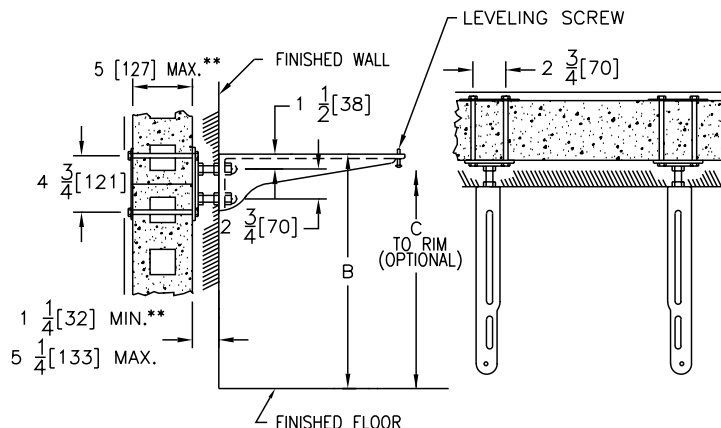


ENGINEERING SPECIFICATION

Zurn Z1257 wall supported, exposed arm system features Dura-Coated wall plate securing assembly with acid resistant epoxy coated cast iron exposed arms and mounting fasteners.

NOTES

Dimensional data for letter dimensions depends upon fixture type and manufacturer. See Zurn Carrier Code Book at www.Zurn.com for specific rough-in dimensions.



Product Number	Approximate Weight lb [kg]
Z1257	25 [11]

PREFIXES	DESCRIPTION	LIST PRICE
Z1257*	Dura-Coated System with A.R.C. Exposed Arms	785.00
SUFFIXES		ADD
Ⓢ -BS	Bar Support Valve Plate (Specify Valve Name and Number)	174.00
-SL	Stud Length Over 6" - Per Inch (Specify Length)	30.00
-VP	Vandal-Proof Trim	176.00

*Regularly furnished unless otherwise specified.

For additional product information, please visit www.zurn.com

Ⓢ This symbol denotes a product that is engineered to reduce installation and rework time.

For Additional System Tools See "Z1200 Carrier Tools and Accessories" on page 222

Z1258 EXPOSED ARM SYSTEM – WALL SUPPORTED



ENGINEERING SPECIFICATION

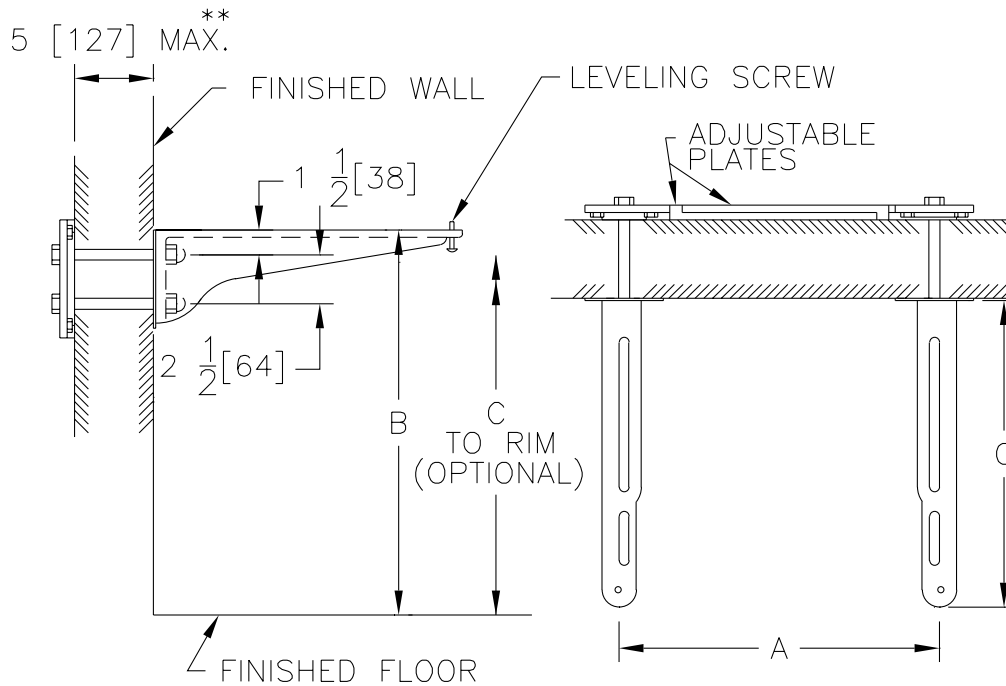
Zurn Z1258 lavatory support system with exposed arms comes complete with adjustable Dura-Coated support plates, acid resistant epoxy coated cast iron exposed arms, and mounting fasteners.

NOTES

Dimensional data for letter dimensions depends upon fixture type and manufacturer. See Zurn Carrier Code Book at www.Zurn.com for specific rough-in dimensions.

Product Number	Approximate Weight lb [kg]
Z1258	25 [11]

PREFIXES	DESCRIPTION	LIST PRICE
Z1258*	Dura-Coated System with A.R.C. Exposed Arms	471.00
SUFFIXES		ADD
Ⓢ -BS	Bar Support Valve Plate (Specify Valve Name and Number)	174.00
-SL	Stud Length Over 6" - Per Inch (Specify Length)	30.00
-VP	Vandal-Proof Trim	176.00



Ⓢ This symbol denotes a product that is engineered to reduce installation and rework time.
For Additional System Tools See "Z1200 Carrier Tools and Accessories" on page 222

*Regularly furnished unless otherwise specified.
For additional product information, please visit www.zurn.com

Z1259 PLATE SYSTEM – WALL SUPPORTED

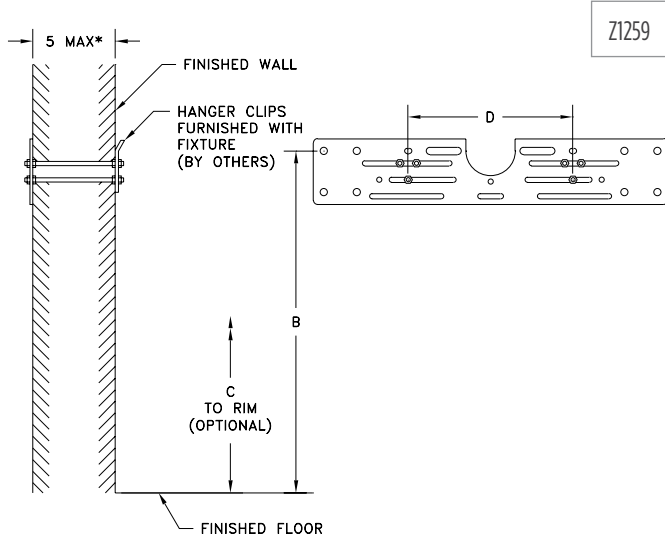


ENGINEERING SPECIFICATION

Zurn Z1259 lavatory support system comes complete with Dura-Coated support plate(s) and mounting fasteners.

NOTES

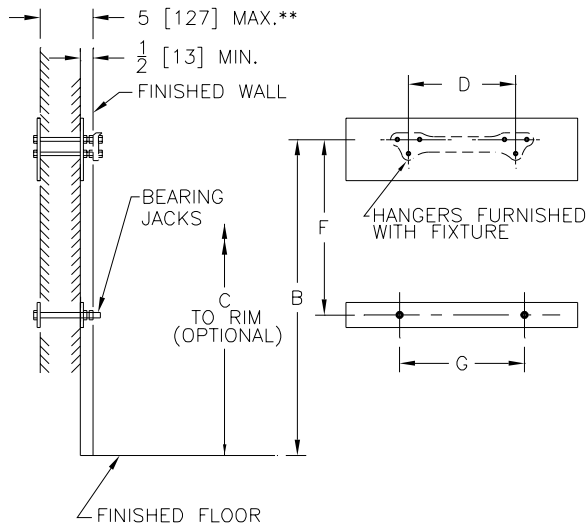
Dimensional data for letter dimensions depends upon fixture type and manufacturer. See Zurn Carrier Code Book at www.Zurn.com for specific rough-in dimensions.



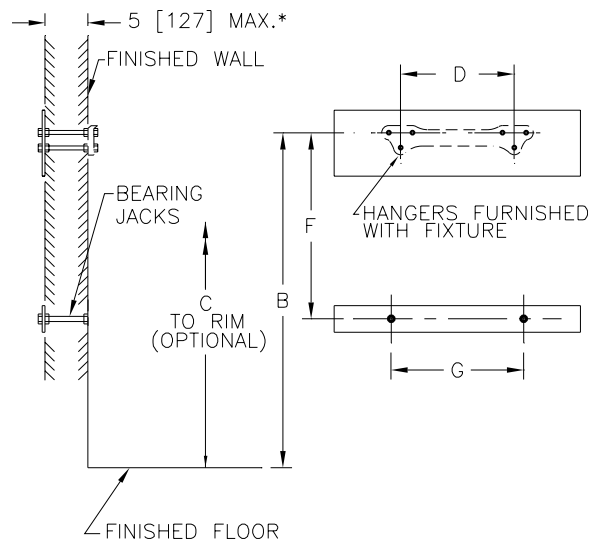
Z1259

Product Number	Approximate Weight lb [kg]
Z1259	6 [3]
Z1259-BP	24 [11]
Z1259-D	12 [5]
Z1259-DB	24 [11]
Z1259-SP	12 [5]
Z1259-2	

PREFIXES	DESCRIPTION	SINGLE	DOUBLE
Z1259*	Dura-Coated Plate System	Combine with Plate Type for Pricing	
PLATE TYPE			
	Top Back Plate with Studs Only	164.00	-
-BP	Top Front and Back Plates with Studs and Bottom Front and Back Plates with Bearing Jacks	290.00	-
-D	Back-to-Back Top Front Plates with Studs Only	-	200.00
-DB	Back-to-Back Top Front Plates with Studs and Bottom Front Plates with Bearing Jacks	-	332.00
-SP	Top Front and Back Plate with Studs Only	200.00	-
-2	Top Back Plate with Studs and Bottom Back Plate with Bearing Jacks	262.00	-
SUFFIXES		ADD	
-SL	Stud Length Over 6" - Per Inch (Specify Length)	41.00	82.00



Z1259-BP



Z1259-2

*Regularly furnished unless otherwise specified.

For additional product information, please visit www.zurn.com

Ⓢ This symbol denotes a product that is engineered to reduce installation and rework time.

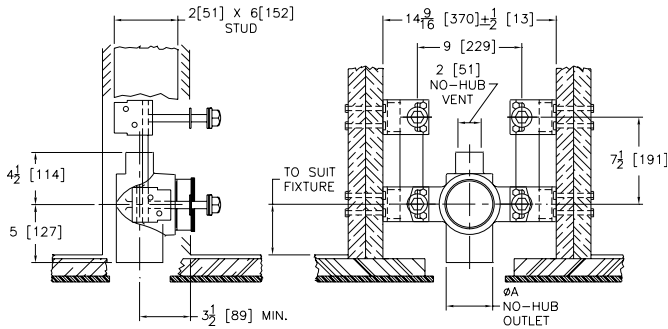
For Additional System Tools See "Z1200 Carrier Tools and Accessories" on page 222

Z1280 WOOD STUD SUPPORTED WATER CLOSET CARRIER – NO-HUB



ENGINEERING SPECIFICATION

Zurn Z1280-N() residential water closet support system comes complete with Dura-Coated cast iron 3" or 4" no-hub fitting (specify size) with 2" vent, support brackets, corrosion-resistant ABS coupling, fixture bolts and trim, and bonded Neo Seal gasket.



Product Number	A Pipe Size Inches [mm]	Approximate Weight lb [kg]
Z1280-N3-2	3 [76]	30 [14]
Z1280-N4-2	4 [102]	40 [18]

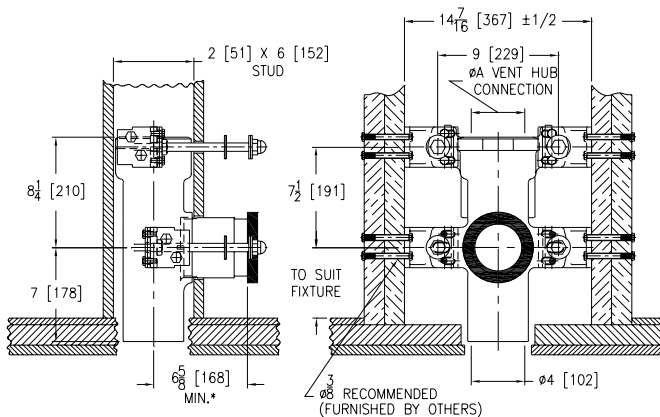
FITTING TYPE		
-N3-2	3" No-Hub Fitting with 2" Vent	507.00
-N4-2	4" No-Hub Fitting with 2" Vent	697.00
SUFFIXES		
		ADD
-X4	4" Foot Extension (For -Y Only)	87.00
-Y	Foot Support System	224.00

Z1282 WOOD STUD SUPPORTED WATER CLOSET CARRIER – HUB AND SPIGOT



ENGINEERING SPECIFICATION

Zurn Z1282-H() residential water closet support system comes complete with Dura-Coated cast iron 4" spigot outlet fitting with 2" or 4" hub vent connection, support brackets, corrosion-resistant ABS coupling, fixture bolts and trim, and bonded Neo Seal gasket.



Product Number	Outlet inch [mm]	Approximate Weight lb [kg]
Z1282-H4	4 [102]	42 [19]
Z1282-HD4	4 [102]	54 [24]

PREFIXES	DESCRIPTION	SINGLE	DOUBLE
Z1282*	Dura-Coated Bracket and Fitting System	Combine with Fitting Type for Pricing	
FITTING TYPE			
-H4	4" Spigot Outlet Fitting with 4" Hub Vent Connection	697.00	-
-HD4	4" Double Spigot Outlet Fitting with 4" Hub Vent Connection	-	1,190.00
SUFFIXES			
		ADD	
-X4	4" Foot Extension (For -Y Only)	87.00	
-Y	Foot Support System	224.00	

⌚ This symbol denotes a product that is engineered to reduce installation and rework time. For Additional System Tools See "Z1200 Carrier Tools and Accessories" on page 222

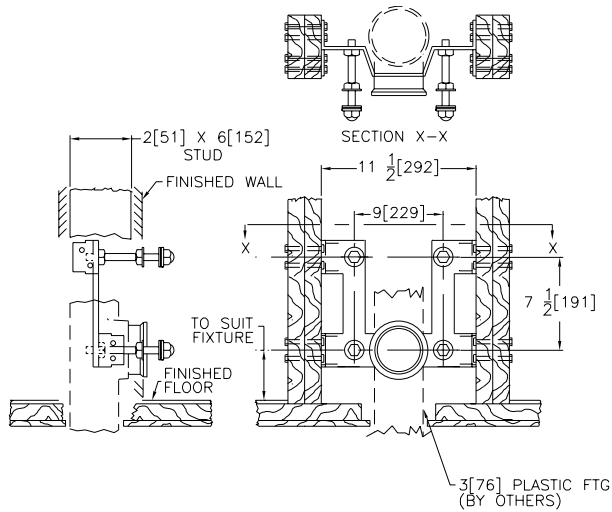
*Regularly furnished unless otherwise specified. For additional product information, please visit www.zurn.com

Z1283 WOOD STUD SUPPORTED WATER CLOSET CARRIER – PLASTIC PIPE



ENGINEERING SPECIFICATION

Zurn Z1283 residential water closet support system comes complete with Dura-Coated support brackets and coupling support, ABS coupling, fixture bolts, trim, and bonded Neo-Seal gasket.



Product Number	Approximate Weight lb [kg]
Z1283-P3	25 [11]

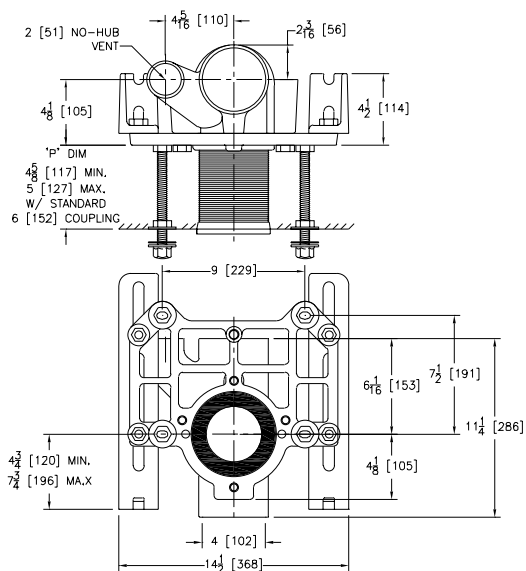
PREFIXES	DESCRIPTION	LIST PRICE
Z1283-P3*	Dura-Coated Bracket System with 3" Yoke	432.00
SUFFIXES	ADD	
-X4	4" Carrier Foot Extension (For -Y Only)	87.00
-Y	Foot Support System	224.00

Z1284 CONCRETE FLOOR SUPPORTED WATER CLOSET CARRIER



ENGINEERING SPECIFICATION

Zurn Z1284 4" residential water closet support system comes complete with Dura-Coated cast iron 4" no-hub fitting, 2" vent, support feet, corrosion-resistant ABS coupling, fixture bolts and trim, and bonded Neo-Seal gasket.



Product Number	Approximate Weight lb [kg]
Z1284-N4	40 [18]

PREFIXES	DESCRIPTION	LIST PRICE
Z1284-N4*	Dura-Coated Bracket System with 4" No-Hub Fitting	915.00
SUFFIXES	ADD	
-X4	4" Foot Extension Assembly	87.00

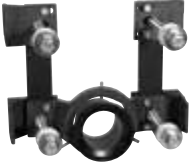
*Regularly furnished unless otherwise specified.

For additional product information, please visit www.zurn.com

Ⓢ This symbol denotes a product that is engineered to reduce installation and rework time.

For Additional System Tools See "Z1200 Carrier Tools and Accessories" on page 222

Z1285 WOOD STUD SUPPORTED WATER CLOSET CARRIER

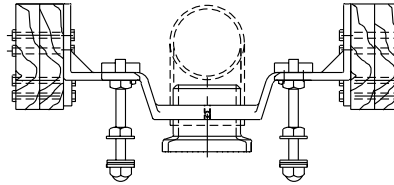


ENGINEERING SPECIFICATION

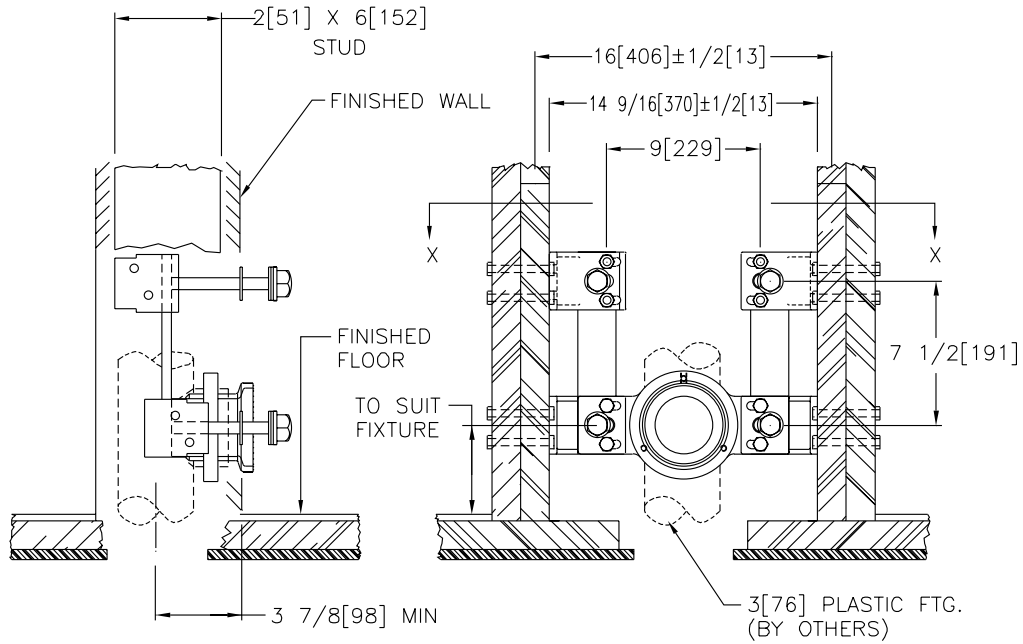
Zurn Z1285 residential water closet support system comes complete with Dura-Coated support brackets and coupling support, ABS coupling, fixture bolts, trim, and bonded Neo-Seal gasket.

Product Number	Approximate Weight lb [kg]
Z1285	25 [11]

PREFIXES	DESCRIPTION	LIST PRICE
Z1285*	Dura-Coated Bracket System	432.00
SUFFIXES		ADD
-PD3	3" Double Plastic Pipe Connection	761.00
-X4	4" Foot Extension (For -Y Only)	87.00
-Y	Foot Support System	263.00



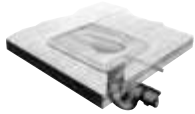
SECTION X-X



⌚ This symbol denotes a product that is engineered to reduce installation and rework time.
For Additional System Tools See "Z1200 Carrier Tools and Accessories" on page 222

*Regularly furnished unless otherwise specified.
For additional product information, please visit www.zurn.com

Z1290 EASTERN STYLE WATER CLOSET

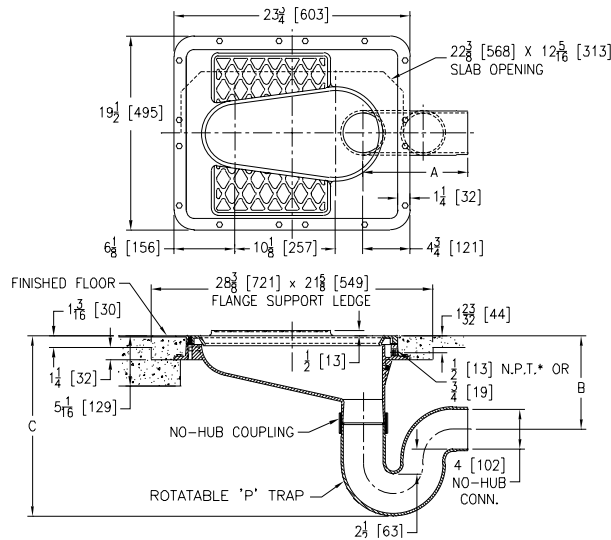


ENGINEERING SPECIFICATION

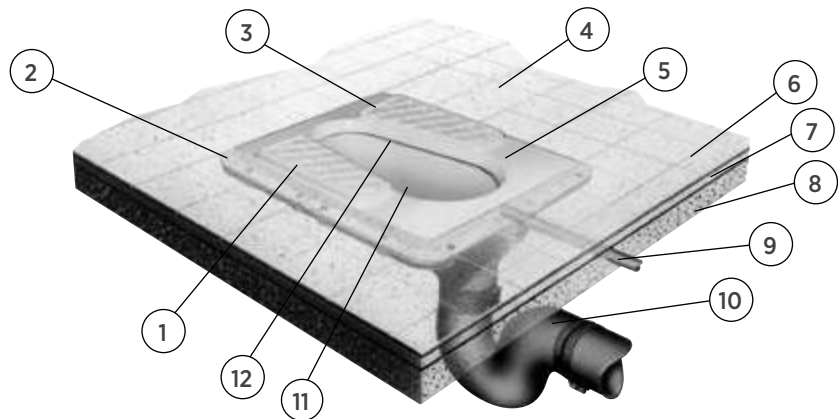
Zurn Z1290 acid resisting, porcelain enameled, cast iron water closet comes complete with rotating 4" no-hub "P" trap and no-hub coupling to meet various piping requirements, including connection to plastic piping systems where required. Water closet is furnished with integral non-skid foot pads and bowl wash down, non-splashing flushing rim. The water closet is completely self-supporting, requiring no external mounting hardware and is flush with finished floor, providing complete floor drainage into bowl and incorporates waterproofing membrane flashing flange for multiple story installations. Flushing connection is available in 1/2" and 3/4" NPT. Recommended to be used with Zurn flush valve models Z6096AV or Z6196AV with either 2.4, 3.5, or 4.5 gallons per flush. Brackish or sea water may also be used for efficient flushing of entire bowl. For storage and handling, installation, care, and cleaning. (See Form #OF53)

PREFIXES	DESCRIPTION	LIST PRICE
Z1290*	Cast Iron Body with Acid Resisting Porcelain Enamel Finish	POA
SUFFIXES		ADD
-DE	Dielectric Supply Connection	POA

Product Number	Dimensions in inches [mm]						Approximate Weight lb [kg]
	4" [102] No-Hub Trap			4" [102] Hub & Spigot 1/2 'S' Trap			
	A	B	C	A	B	C	
Z1290	10-1/2 [267]	9-1/2 [241]	18-1/4 [464]	14 [356]	8-3/4 [222]	17-1/2 [445]	130 [59]



- 1 Zurn Z1290 "Eastern" Style Water Closet Porcelain Enameled Cast Iron
- 2 Membrane Flashing Clamp
- 3 Integral Non-Slip Foot Pads
- 4 Finished Floor
- 5 W.C. Top Flush with Finished Floor
- 6 Grout
- 7 Floor Membrane
- 8 Structural Floor Slab
- 9 Flush Pipe
- 10 No-Hub "P" Trap (Rotatable)
- 11 Dry Porcelain Enameled Bowl (two gallon complete flush)
- 12 Flushing Rim



*Regularly furnished unless otherwise specified.

For additional product information, please visit www.zurn.com

Ⓢ This symbol denotes a product that is engineered to reduce installation and rework time.

For Additional System Tools See "Z1200 Carrier Tools and Accessories" on page 222

HYDRANTS

HYDRANTS - APPLICATION INDEX	282
Z1300 ECOLOTROL WALL HYDRANT – ENCASED, NON-FREEZE, ANTI-SIPHON, AUTOMATIC DRAINING	283
Z1305 WALL HYDRANT – ENCASED, NON-FREEZE	283
Z1310 ECOLOTROL WALL HYDRANT– EXPOSED, NON-FREEZE, ANTI-SIPHON, AUTOMATIC DRAINING	284
Z1315 WALL HYDRANT – EXPOSED, NON-FREEZE	284
Z1320XL ECOLOTROL CERAMIC DISC WALL HYDRANT – ENCASED, NON-FREEZE, ANTI-SIPHON, AUTOMATIC DRAINING	285
🕒 Z1320XL-EZ ECOLOTROL CERAMIC DISC WALL HYDRANT – ENCASED, NON-FREEZE, ANTI-SIPHON, AUTOMATIC DRAINING	285
Z1321XL ECOLOTROL CERAMIC DISC WALL HYDRANT – EXPOSED, NON-FREEZE, ANTI-SIPHON, AUTOMATIC DRAINING	286
🕒 Z1322XL-EZ ECOLOTROL CERAMIC DISC WALL HYDRANT – EXPOSED, NON-FREEZE, ANTI-SIPHON, AUTOMATIC DRAINING	287
Z1325 WALL HYDRANT – ENCASED, VARI-TEMP, NON-FREEZE	288
🕒 Z1327-EZ NARROW WALL HOT/COLD HYDRANT WITH MOUNTING BRACKETS – ENCASED, MODERATE CLIMATE	288
Z1330XL ECOLOTROL CERAMIC DISC WALL HYDRANT – ENCASED, ANTI-SIPHON, AUTOMATIC DRAINING, MODERATE CLIMATE	289
🕒 Z1332XL-EZ ECOLOTROL CERAMIC DISC WALL HYDRANT – ENCASED, ANTI-SIPHON, AUTOMATIC DRAINING, MODERATE CLIMATE	289
Z1333XL ECOLOTROL CERAMIC DISC WALL HYDRANT – EXPOSED, ANTI-SIPHON, AUTOMATIC DRAINING, MODERATE CLIMATE	290
Z1335 WALL HYDRANT – ENCASED, MODERATE CLIMATE	290
Z1350 NARROW WALL HYDRANT – ENCASED, MODERATE CLIMATE	291
🕒 Z1350-EZ NARROW WALL HYDRANT WITH MOUNTING BRACKETS – ENCASED, MODERATE CLIMATE	291
Z1360XL GROUND HYDRANT – ENCASED, FLUSH TYPE, NON-FREEZE	292
Z1365 GROUND HYDRANT – ENCASED, FLUSH TYPE, NON-FREEZE	293
Z1370 GROUND HYDRANT – ENCASED, HOSE STORAGE, NON-FREEZE	294
Z1375 GROUND HYDRANT – ENCASED, MODERATE CLIMATE, INTERIOR USE	295
Z1385 POST HYDRANT – EXPOSED HEAD, NON-FREEZE	295
Z1388XL ROOF HYDRANT – EXPOSED HEAD, NON-FREEZE	296
Z1390 POST HYDRANT – EXPOSED HEAD, NON-FREEZE	296
Z1395XL YARD HYDRANT – EXPOSED HEAD, NON-FREEZE	297
Z1397XL FLO-TROL YARD HYDRANT – EXPOSED HEAD, NON-FREEZE	298

HYDRANTS - APPLICATION INDEX

WALL HYDRANTS

NON-FREEZE/SELF-DRAINING

MODERATE CLIMATE

Retail Outlets	Z1300, Z1305, Z1310, Z1320	Z1330, Z1335
Office Buildings	Z1300, Z1305, Z1320	Z1330, Z1335
Institutions, Hospitals, Schools	Z1300, Z1305, Z1320	Z1330, Z1335
Apartments	Z1315, Z1321	Z1333, Z1350, Z1350-EZ
Cored Wall Construction	Z1322-EZ	Z1332-EZ
Cleaning Areas, Slop Sink, Garbage Can Wash	Z1325	
Commercial/Multi-Family, Thin Wall Construction		Z1350, Z1350-EZ
Masonry Wall Construction	Z1320-EZ	
Vari-Temp (Hot/Cold)	Z1325	Z1327-EZ

GROUND HYDRANTS

NON-FREEZE/SELF-DRAINING

MODERATE CLIMATE

Parks, Recreational Areas	Z1360, Z1365, Z1370, Z1390, Z1395, Z1397	
Garden Areas	Z1360, Z1370, Z1385, Z1395, Z1397	Z1375
Industrial	Z1365, Z1370, Z1390	
Supermarkets, Malls	Z1360-HD	Z1375-HD
Farms, Agricultural	Z1385, Z1390, Z1395, Z1397	
Stables	Z1385, Z1390, Z1395, Z1397	

Note: Any of the non-freeze/self-draining hydrants may be used in moderate climates.



XL LEAD FREE

†Zurn "XL" Lead-Free compliant products are a line of durable plumbing products designed and manufactured to comply with state laws and local codes that mandate maximum allowable lead content levels. Zurn "XL" products are manufactured in accordance to the Federal SWDA section 1417.

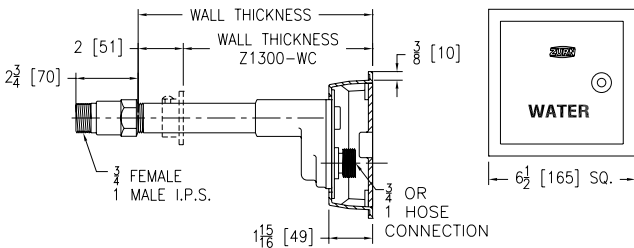
Z1300 ECOLOTROL WALL HYDRANT – ENCASED, NON-FREEZE, ANTI-SIPHON, AUTOMATIC DRAINING



ENGINEERING SPECIFICATION

Zurn Z1300 encased Ecotrol anti-siphon automatic draining wall hydrant is designed for flush installation. Comes complete with non-freeze type integral backflow preventer, bronze casing, all bronze interior parts, non-turning operating rod with free-floating compression closure valve, replaceable bronze seat and seat washer, and combination 3/4" [19mm] female or 1" [25mm] male straight IP inlet. Nickel bronze box and hinged cover include operating key lock and "WATER" cast on cover.

Wall Thickness inches [mm]	Approximate Weight lb [kg]
6 [152], 8 [203]	9 [4]
10 [254], 12 [305], 14 [356]	12 [5]
16 [406], 18 [457]	15 [7]
20 [508], 22 [559], 24 [610]	18 [8]



PRODUCT	DESCRIPTION	WALL THICKNESS	LIST PRICE
Z1300*	3/4" [19mm] Hose Connection Nickel Bronze Box and Cover with Polished Face and Bronze Casing	6", 8"	1,549.00
		10", 12", 14"	1,590.00
		16", 18"	1,590.00
		20", 22", 24"	1,635.00
	1" [25mm] Hose Connection Nickel Bronze Box and Cover with Polished Face and Bronze Casing	6", 8"	1,678.00
		10", 12", 14"	1,721.00
		16", 18"	1,721.00
		20", 22", 24"	1,763.00
SUFFIXES		ADD	
-CL	Cylinder Lock		115.00
-PB	Polished Bronze Box		N/C
-RA4	24" [610mm] Replacement Rod Assembly Kit		296.00
-RK	Hydrant Parts Repair Kit		262.00
-SS	Stainless Steel Box and Cover		N/C
-WC	Wall Clamp		N/C
-34FS	3/4" [19mm] Solder Female Inlet Adapter		N/C
-34UN	3/4" [19mm] IP 90° Inlet Elbow with Union Nut		36.00

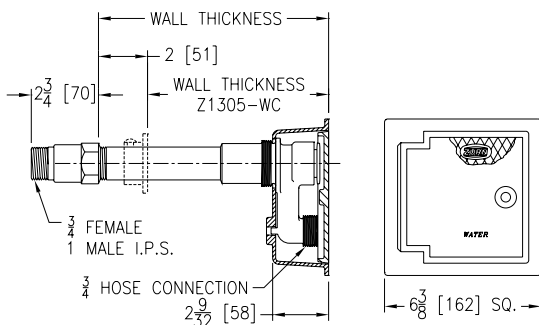
Z1305 WALL HYDRANT – ENCASED, NON-FREEZE



ENGINEERING SPECIFICATION

Zurn Z1305 encased, non-freeze, flush wall hydrant features bronze casing, all bronze interior parts, non-turning operating rod with free-floating compression closure valve, replaceable bronze seat and seat washer, and combination 3/4" [19mm] female or 1" [25mm] male straight IP inlet. Nickel bronze box and hinged cover include operating key lock and "WATER" cast on cover.

Wall Thickness inches [mm]	Approximate Weight lb [kg]
6 [152], 8 [203]	11 [5]
10 [254], 12 [305], 14 [356]	13 [6]
16 [406]	15 [7]
24 [610]	17 [8]



PRODUCT	DESCRIPTION	WALL THICKNESS	LIST PRICE
Z1305*	3/4" [19mm] Hose Connection Nickel Bronze Box and Cover with Polished Face and Bronze Casing	6", 8"	1,349.00
		10", 12", 14"	1,390.00
		16"	1,390.00
		24"	1,435.00
SUFFIXES		ADD	
-PB	Polished Bronze Box		N/C
-RA4	24" [610mm] Replacement Rod Assembly Kit		296.00
-RK	Hydrant Parts Repair Kit		262.00
-WC	Wall Clamp		N/C
-34UN	3/4" [19mm] IP 90° Inlet Elbow with Union Nut		36.00

⌚ This symbol denotes a product that is engineered to reduce installation and rework time. For additional product information, please visit www.zurn.com

*Lead-free product. For more information, see page 282. *Regularly furnished unless otherwise specified.

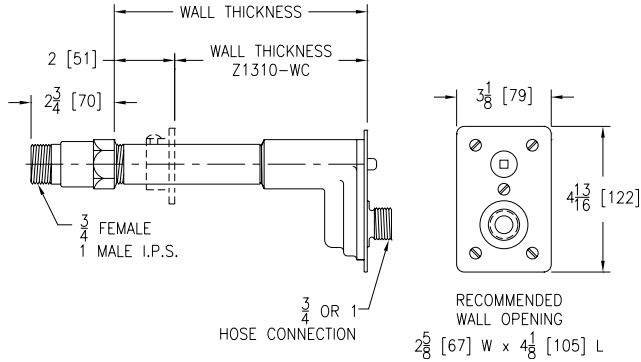
INTRO
ROOF DRAINS
FLOOR DRAINS
T, P, BW VALVES
INTERCEPTORS
CARRIERS
HYDRANTS
CLEANOUTS
W/HA
SS DRAINS
FAB SS DRAINS
SANI-FLOOR
TECH INFO

Z1310 ECOLOTROL WALL HYDRANT- EXPOSED, NON-FREEZE, ANTI-SIPHON, AUTOMATIC DRAINING



ENGINEERING SPECIFICATION

Zurn Z1310 exposed Ecolotrol anti-siphon automatic draining wall hydrant features non-freeze integral backflow preventer, bronze casing, all bronze interior parts, non-turning operating rod with free-floating compression closure valve, replaceable bronze seat and seat washer, and combination 3/4" [19mm] female or 1" [25mm] male straight IP inlet. Includes stainless steel face with operating key.



Wall Thickness inches [mm]	Approximate Weight lb [kg]
4 [102], 6 [152], 8 [203]	5 [2]
10 [254], 12 [305], 14 [356]	8 [4]
16 [406], 18 [457]	11 [5]
20 [508], 22 [559], 24 [610]	14 [6]

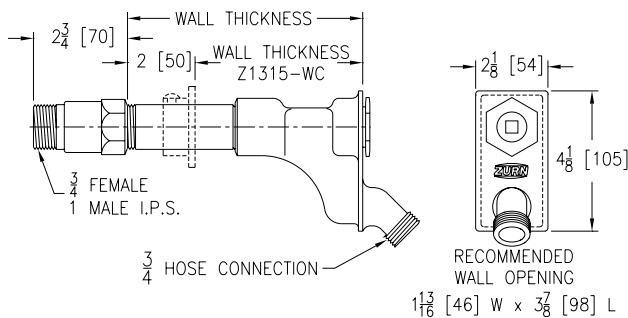
PRODUCT	DESCRIPTION	WALL THICKNESS	LIST PRICE
Z1310*	3/4" [19mm] Hose Connection Bronze Hydrant with Polished Stainless Steel Face and Bronze Casing	4", 6", 8"	1,115.00
		10", 12", 14"	1,157.00
		16", 18"	1,204.00
		20", 22", 24"	1,315.00
	1" [25mm] Hose Connection Bronze Hydrant with Polished Stainless Steel Face and Bronze Casing	4", 6", 8"	1,247.00
		10", 12", 14"	1,277.00
		16", 18"	1,334.00
		20", 22", 24"	1,444.00
SUFFIXES			ADD
-PB	Polished Bronze Box		N/C
-RA4	24" [610mm] Replacement Rod Assembly Kit		296.00
-RK	Hydrant Parts Repair Kit		262.00
-WC	Wall Clamp		N/C
-34FS	3/4" [19mm] Solder Female Inlet Adapter		N/C
-34UN	3/4" [19mm] IP 90° Inlet Elbow with Union Nut		36.00

Z1315 WALL HYDRANT - EXPOSED, NON-FREEZE



ENGINEERING SPECIFICATION

Zurn Z1315 exposed, non-freeze wall hydrant features bronze casing, all bronze interior parts, non-turning operating rod with free-floating compression closure valve, replaceable bronze seat and seat washer, and combination 3/4" [19mm] female or 1" [25mm] male straight IP inlet. Comes complete with operating key.



Wall Thickness inches [mm]	Approximate Weight lb [kg]
4 [102], 6 [152], 8 [203]	6 [3]
10 [254], 12 [305]	8 [4]
16 [406], 18 [457]	10 [5]

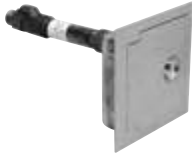
PRODUCT	DESCRIPTION	WALL THICKNESS	LIST PRICE
Z1315*	3/4" [19mm] Hose Connection Nickel Bronze Box and Cover with Polished Face and Bronze Casing	4", 6", 8"	1,014.00
		10", 12"	1,057.00
		16", 18"	1,104.00
SUFFIXES			ADD
-PB	Polished Bronze Box		N/C
-RA4	24" [610mm] Replacement Rod Assembly Kit		296.00
-RK	Hydrant Parts Repair Kit		262.00
-VB	3/4" [19mm] Adapter Vacuum Breaker		86.00
-WC	Wall Clamp		N/C

*Lead-free product. For more information, see page 282.

*Regularly furnished unless otherwise specified.

Ⓢ This symbol denotes a product that is engineered to reduce installation and rework time. For additional product information, please visit www.zurn.com

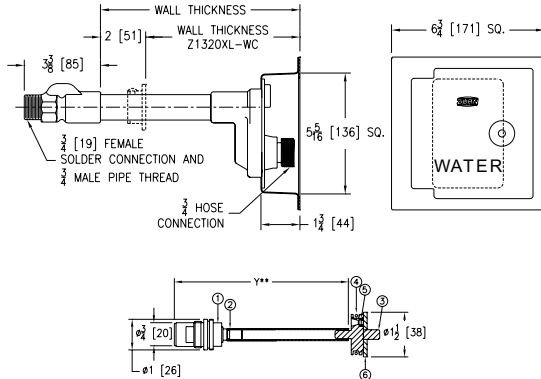
Z1320XL ECOLOTROL CERAMIC DISC WALL HYDRANT – ENCASED, NON-FREEZE, ANTI-SIPHON, AUTOMATIC DRAINING



XL LEAD FREE

ENGINEERING SPECIFICATION

Zurn Z1320XL encased, Ecolotrol, lead-free*, non-freeze automatic draining wall hydrant is designed for flush installation. Features integral backflow preventer, anti-siphon technology, copper casing, all bronze interior components with 1/2 turn long-life ceramic disc cartridge, combination 3/4" [19mm] female solder and 3/4" [19mm] male pipe thread inlet connection, and 3/4" [19mm] male hose connection. Comes complete with nickel bronze housing and hinged cover that includes operating key lock.



Wall Thickness inches [mm]	Approximate Weight lb [kg]
6 [152], 8 [203]	5 [2]
10 [254], 12 [305], 14 [356]	6 [3]
16 [406], 18 [457]	7 [3]
20 [508], 22 [559], 24 [610]	8 [4]
26 [660], 30 [762]	10 [5]

PRODUCT	DESCRIPTION	WALL THICKNESS	LIST PRICE
Z1320XL*	3/4" [19mm] Hose Connection Nickel Bronze Box and Face with Copper Casing	6", 8"	1,255.00
		10", 12", 14"	1,306.00
		16", 18"	1,384.00
		20", 22", 24"	1,460.00
		26", 30"	1,810.00
SUFFIXES		ADD	
-CL	Cylinder Lock		115.00
-NB	Polished Nickel Bronze Box		N/C
-PB	Polished Bronze Box		42.00
-RK	Hydrant Parts Repair Kit (HYD-RK-Z1321XL/33XL)		266.00
-RT12	Ceramic Cartridge Removal Tool (Up to 12" [305mm])		101.00
-RT24	Ceramic Cartridge Removal Tool (Up to 24" [610mm])		101.00
-RT36	Ceramic Cartridge Removal Tool (Up to 36" [914mm])		101.00
-WC	Wall Clamp		N/C
-34EL	3/4" [19mm] 90° Solder Inlet Elbow		N/C
-34FIP	3/4" [19mm] IP Straight Female Inlet Adapter		36.00

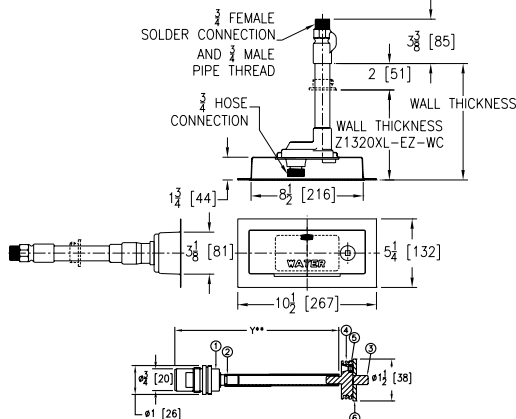
Z1320XL-EZ ECOLOTROL CERAMIC DISC WALL HYDRANT – ENCASED, NON-FREEZE, ANTI-SIPHON, AUTOMATIC DRAINING



XL LEAD FREE

ENGINEERING SPECIFICATION

Zurn Z1320XL-EZ encased, Ecolotrol, lead-free*, non-freeze automatic draining wall hydrant is designed for flush installation. Features integral backflow preventer, anti-siphon technology, copper casing, all bronze interior components with 1/2 turn long-life ceramic disc cartridge, combination 3/4" [19mm] female solder and 3/4" [19mm] male pipe thread inlet connection, and 3/4" [19mm] male hose connection. Comes complete with Type 304 stainless steel housing and hinged cover that includes operating key lock and "WATER" cast on cover. Hydrant housing fits within one standard modular masonry course. Recommended wall opening: 3-3/16" X 8-1/2" [81mm x 216mm].



Wall Thickness inches [mm]	Approximate Weight lb [kg]
6 [152], 8 [203]	5 [2]
10 [254], 12 [305], 14 [356]	6 [3]
16 [406], 18 [457]	7 [3]
20 [508], 22 [559], 24 [610]	8 [4]
26 [660], 30 [762]	10 [5]

PRODUCT	DESCRIPTION	WALL THICKNESS	LIST PRICE
Z1320XL-EZ*	3/4" [19mm] Hose Connection Stainless Steel Box and Face with Copper Casing	6", 8"	1,249.00
		10", 12", 14"	1,365.00
		16"	1,365.00
		18"	1,479.00
		20", 22", 24"	1,479.00
26", 30"	1,592.00		
SUFFIXES		ADD	
-CL	Cylinder Lock		115.00
-RK	Hydrant Parts Repair Kit (HYD-RK-Z1321XL/33XL)		266.00
-RT12	Ceramic Cartridge Removal Tool (Up to 12" [305mm])		101.00
-RT24	Ceramic Cartridge Removal Tool (Up to 24" [610mm])		101.00
-RT36	Ceramic Cartridge Removal Tool (Up to 36" [914mm])		101.00
-WC	Wall Clamp		N/C
-34EL	3/4" [19mm] IP 90° Solder Inlet Elbow		N/C
-34FIP	3/4" [19mm] IP Straight Female Inlet Adapter		36.00

⌚ This symbol denotes a product that is engineered to reduce installation and rework time. For additional product information, please visit www.zurn.com

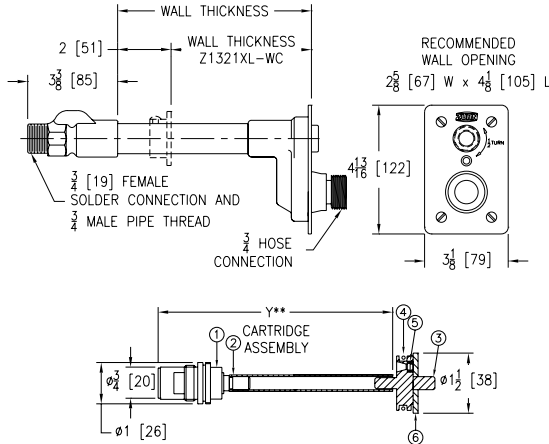
*Lead-free product. For more information, see page 282.
*Regularly furnished unless otherwise specified.

Z1321XL ECOLOTROL CERAMIC DISC WALL HYDRANT – EXPOSED, NON-FREEZE, ANTI-SIPHON, AUTOMATIC DRAINING



ENGINEERING SPECIFICATION

Zurn Z1321XL exposed, Ecolotrol, lead-free¹, non-freeze automatic draining wall hydrant is designed for flush installation. Features integral backflow preventer, anti-siphon technology, copper casing, all bronze interior components with 1/2 turn long-life ceramic disc cartridge, combination 3/4" [19mm] female solder and 3/4" [19mm] male pipe thread inlet connection, and 3/4" [19mm] male hose connection. Furnished with Type 304 stainless steel faceplate and includes operating key.



Wall Thickness inches [mm]	Approximate Weight lb [kg]
6 [152], 8 [203]	3 [1]
10 [254], 12 [305], 14 [356]	4 [2]
16 [406], 18 [457]	5 [2]
20 [508], 22 [559], 24 [610]	6 [3]
26 [660], 30 [762]	8 [4]

PRODUCT	DESCRIPTION	WALL THICKNESS	LIST PRICE
Z1321XL*	3/4" [19mm] Hose Connection Stainless Steel Box and Face with Copper Casing	6", 8"	785.00
		10", 12", 14"	835.00
		16", 18"	914.00
		20", 22", 24"	984.00
		26", 30"	1,334.00
SUFFIXES			ADD
-PB	Polished Bronze Box		42.00
-RK	Hydrant Parts Repair Kit (HYD-RK-Z1321XL/33XL)		266.00
-RT12	Ceramic Cartridge Removal Tool (Up to 12" [305mm] Wall)		101.00
-RT24	Ceramic Cartridge Removal Tool (Up to 24" [610mm] Wall)		101.00
-RT36	Ceramic Cartridge Removal Tool (Up to 36" [914mm] Wall)		101.00
-WC	Wall Clamp		N/C
-34EL	3/4" [19mm] IP 90° Solder Inlet Elbow		N/C
-34FIP	3/4" [19mm] IP StraightFemale Inlet Adapter		36.00

¹Lead-free product. For more information, see page 282.
*Regularly furnished unless otherwise specified.

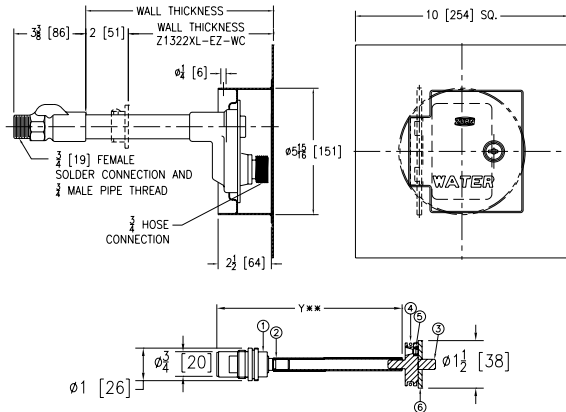
Ⓢ This symbol denotes a product that is engineered to reduce installation and rework time.
For additional product information, please visit www.zurn.com

Z1322XL-EZ ECOLOTROL CERAMIC DISC WALL HYDRANT – EXPOSED, NON-FREEZE, ANTI-SIPHON, AUTOMATIC DRAINING



ENGINEERING SPECIFICATION

Zurn Z1322XL-EZ encased, Ecolotrol, lead-free[†], non-freeze automatic draining wall hydrant is designed for flush installation in 6" [152mm] diameter cored hole concrete exterior wall. Features integral backflow preventer, anti-siphon technology, copper casing, all bronze interior components with 1/2 turn long-life ceramic disc cartridge, combination 3/4" [19mm] female solder and 3/4" [19mm] male pipe thread inlet connection, and 3/4" [19mm] male hose connection. Includes Type 304 stainless steel housing with large flange and hinged cover that includes operating key lock and "WATER" cast on cover.



Wall Thickness inches [mm]	Approximate Weight lb [kg]
6 [152], 8 [203]	5 [2]
10 [254], 12 [305], 14 [356]	6 [3]
16 [406], 18 [457]	7 [3]
20 [508], 22 [559], 24 [610]	8 [4]
26 [660], 30 [762]	10 [5]

PRODUCT	DESCRIPTION	WALL THICKNESS	LIST PRICE
Z1322XL-EZ*	3/4" [19mm] Hose Connection Stainless Steel Box and Face with Copper Casing	6", 8"	1,056.00
		10", 12", 14"	1,105.00
		16", 18"	1,185.00
		20", 22", 24"	1,257.00
		26", 30"	1,607.00

SUFFIXES		ADD
-CL	Cylinder Lock	115.00
-RK	Hydrant Parts Repair Kit (HYD-RK-Z1321XL/33XL)	266.00
-RT12	Ceramic Cartridge Removal Tool (Up to 12" [305mm] Wall)	101.00
-RT24	Ceramic Cartridge Removal Tool (Up to 24" [610mm] Wall)	101.00
-RT36	Ceramic Cartridge Removal Tool (Up to 36" [914mm] Wall)	101.00
-8	8" [204mm] Diameter Cored Hole	N/C
-34EL	3/4" [19mm] IP 90° Solder Inlet Elbow	36.00
-34FIP	3/4" [19mm] IP Straight Female Inlet Adapter	36.00

[†] This symbol denotes a product that is engineered to reduce installation and rework time. For additional product information, please visit www.zurn.com

[†]Lead-free product. For more information, see page 282.
*Regularly furnished unless otherwise specified.

INTRO
ROOF DRAINS
FLOOR DRAINS
T, P, BW VALVES
INTERCEPTORS
CARRIERS
HYDRANTS
CLEANOUTS
W/HA
SS DRAINS
FAB SS DRAINS
SANI-FLOOR
TECH INFO

Z1325 WALL HYDRANT – ENCASED, VARI-TEMP, NON-FREEZE

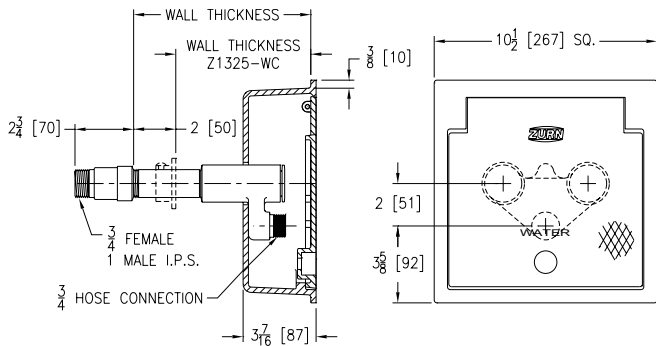


ENGINEERING SPECIFICATION

Zurn Z1325 Vari-Temp combination hot and cold water, non-freeze, encased wall hydrant is designed for flush installation. Comes complete with bronze casing, all bronze interior components, non-turning operating rods with free-floating compression closure valves, replaceable bronze seat and seat washer, and combination 3/4" [19mm] female or 1" [25mm] male straight IP inlet. Includes nickel bronze box and hinged cover with operating key lock and "WATER" cast on cover.

NOTES

When -VB vacuum breaker suffix is specified, the vacuum breaker must be manually tripped at the end of usage to facilitate drainage of the hydrant and maintain the non-freeze feature.

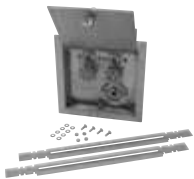


Wall Thickness inches [mm]	Approximate Weight lb [kg]
6 [152], 8 [203]	27 [12]
10 [254], 12 [305], 14 [356]	31 [14]
16 [406], 18 [457]	35 [16]
24 [610]	39 [18]

PRODUCT	DESCRIPTION	WALL THICKNESS	LIST PRICE
Z1325*	3/4" [19mm] Hose Connection Nickel Bronze Box and Cover with Polished Face and Bronze Casing	6", 8" 10", 12", 14" 16", 18" 24"	3,135.00 3,195.00 3,234.00 3,323.00

SUFFIXES	ADD
-CL	Cylinder Lock 115.00
-NW	Narrow Wall (Priced same as 6-8" [152mm-204mm] Wall) -
-PB	Polished Bronze Box N/C
-RA4	24" [610mm] Replacement Rod Assembly Kit 590.00
-RK	Hydrant Parts Repair Kit 449.00
-VB	3/4" [19mm] Adapter Vacuum Breaker 86.00
-WC	Wall Clamp N/C
-34UN	3/4" [19mm] IP 90° Inlet Elbow with Union Nut 36.00

Z1327-EZ NARROW WALL HOT/COLD HYDRANT WITH MOUNTING BRACKETS – ENCASED, MODERATE CLIMATE



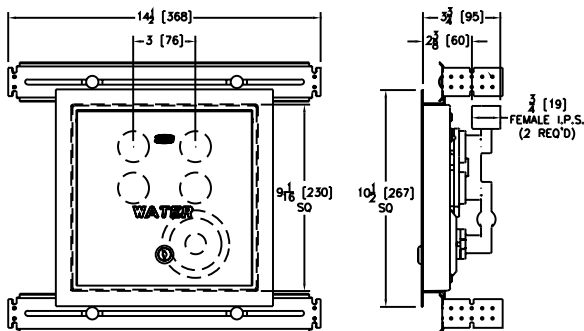
ENGINEERING SPECIFICATION

Zurn Z1327-EZ encased, moderate climate hot/cold wall hydrant is designed for narrow wall installation. Features bronze body, all brass interior parts, replaceable seat washers, screwdriver operated stop valves in supply, handle operated control valves, 3/4" [19mm] IP female inlets, and 3/4" [19mm] male hose connection standard. Includes stainless steel box and removable hinged cover with cylinder lock and "WATER" cast on cover. Comes complete with mounting brackets, hardware for installation and horizontal adjustment inside a 16" [152mm] on center stud wall.

Wall Thickness inches [mm]	Approximate Weight lb [kg]
3-1/2 [89]	11 [5]

PRODUCT	DESCRIPTION	WALL THICKNESS	LIST PRICE
Z1327-EZ*	3/4" [19mm] Hose Connection Stainless Steel Face with Bronze Body	3-1/2"	2,621.00

SUFFIXES	ADD
-RK	Hydrant Parts Repair Kit 449.00
-VB	3/4" [19mm] Adapter Vacuum Breaker 112.00
-24	Mounting Brackets (for 24" [610mm] on Center Stud Wall) N/C



*Lead-free product. For more information, see page 282.
*Regularly furnished unless otherwise specified.

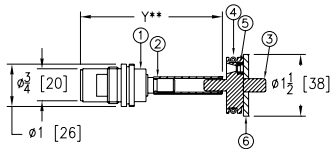
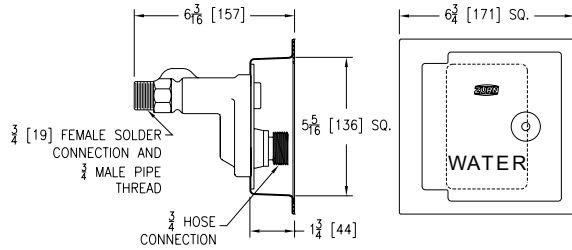
Ⓢ This symbol denotes a product that is engineered to reduce installation and rework time. For additional product information, please visit www.zurn.com

Z1330XL ECOLOTROL CERAMIC DISC WALL HYDRANT – ENCASED, ANTI-SIPHON, AUTOMATIC DRAINING, MODERATE CLIMATE



ENGINEERING SPECIFICATION

Zurn Z1330XL enclosed, Ecolotrol, lead-free[†], anti-siphon, moderate climate, interior wall hydrant is designed for flush installation. Features integral backflow preventer, anti-siphon technology, all bronze interior components with 1/2 turn long-life ceramic disc cartridge, combination 3/4" [19mm] female solder and 3/4" [19mm] male pipe thread inlet connection, and 3/4" [19mm] male hose connection. Includes Type 304 stainless steel, flanged housing with locking, hinged cover stamped "WATER", and operating key.



Wall Thickness inches [mm]	Approximate Weight lb [kg]
8 [203]	4 [2]

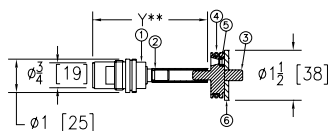
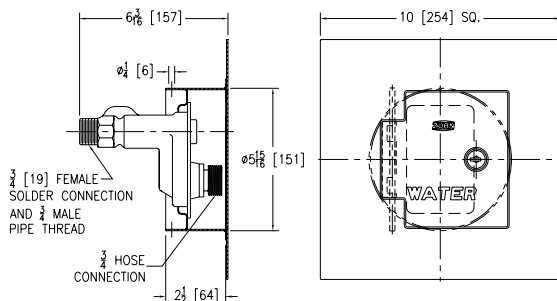
PRODUCT	DESCRIPTION	WALL THICKNESS	LIST PRICE
Z1330XL*	3/4" [19mm] Hose Connection Stainless Steel Box and Cover with Polished Face	8"	1,340.00
SUFFIXES		ADD	
-CL	Cylinder Lock		115.00
-NB	Polished Nickel Bronze Box		N/C
-PB	Polished Bronze Box		42.00
-RK	Hydrant Parts Repair Kit (HYD-RK-Z1321XL/33XL)		266.00
-RT12	Ceramic Cartridge Removal Tool (Up to 12" [305mm] Wall)		101.00
-34EL	3/4" [19mm] 90° Solder Inlet Elbow		36.00

Z1332XL-EZ ECOLOTROL CERAMIC DISC WALL HYDRANT – ENCASED, ANTI-SIPHON, AUTOMATIC DRAINING, MODERATE CLIMATE



ENGINEERING SPECIFICATION

Zurn Z1332XL-EZ enclosed, Ecolotrol, lead-free[†], non-freeze automatic draining wall hydrant is designed for flush installation in 6" [152mm] diameter cored hole concrete exterior wall. Features integral backflow preventer, anti-siphon technology, copper casing, all bronze interior components with 1/2 turn long-life ceramic disc cartridge, combination 3/4" [19mm] female solder and 3/4" [19mm] male pipe thread inlet connection, and 3/4" [19mm] male hose connection. Includes Type 304 stainless steel housing with large flange and hinged cover that includes operating key lock and "WATER" cast on cover.



Wall Thickness inches [mm]	Approximate Weight lb [kg]
8 [203]	4 [2]

PRODUCT	DESCRIPTION	WALL THICKNESS	LIST PRICE
Z1332XL-EZ*	3/4" [19mm] Hose Connection Stainless Steel Box and Cover with Polished Face	8"	1,340.00
SUFFIXES		ADD	
-CL	Cylinder Lock		115.00
-RK	Hydrant Parts Repair Kit (HYD-RK-Z1321XL/33XL)		266.00
-RT12	Ceramic Cartridge Removal Tool (Up to 12" [305mm] Wall)		101.00
-8	8" [204mm] Diameter Cored Hole		N/C

⌚ This symbol denotes a product that is engineered to reduce installation and rework time. For additional product information, please visit www.zurn.com

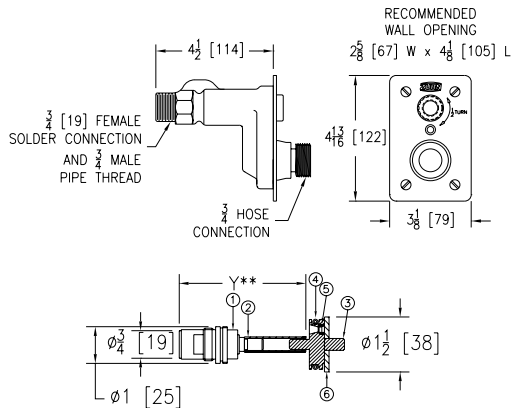
[†]Lead-free product. For more information, see page 282.
*Regularly furnished unless otherwise specified.

Z1333XL ECOLOTROL CERAMIC DISC WALL HYDRANT – EXPOSED, ANTI-SIPHON, AUTOMATIC DRAINING, MODERATE CLIMATE



ENGINEERING SPECIFICATION

Zurn Z1333XL exposed, Ecolotrol, lead-free¹, anti-siphon, moderate climate, interior wall hydrant is designed for flush installation. Features integral backflow preventer, anti-siphon technology, all bronze interior components with 1/2 turn long-life ceramic disc cartridge, combination 3/4" [19mm] female solder and 3/4" [19mm] male pipe thread inlet connection, and 3/4" [19mm] male hose connection. Includes Type 304 stainless steel faceplate and operating key.



Wall Thickness inches [mm]	Approximate Weight lb [kg]
6 [152]	3 [1]

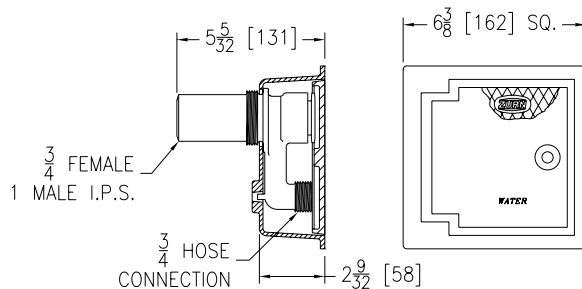
PRODUCT	DESCRIPTION	WALL THICKNESS	LIST PRICE
Z1333XL*	3/4" [19mm] Hose Connection Stainless Steel Face	6"	874.00
SUFFIXES		ADD	
-PB	Polished Bronze Box		42.00
-RK	Hydrant Parts Repair Kit (HYD-RK-Z1321XL/33XL)		266.00
-RT12	Ceramic Cartridge Removal Tool (Up to 12" [305mm] Wall)		101.00

Z1335 WALL HYDRANT – ENCASED, MODERATE CLIMATE



ENGINEERING SPECIFICATION

Zurn Z1335 encased flush wall hydrant is designed for moderate climate and interior wall installation. Comes complete with all bronze interior parts, non-turning operating coupling, free-floating compression closure valve, replaceable bronze seat and seat washer, and 3/4" [19mm] female IP inlet. Includes nickel bronze box and hinged cover with operating key lock and "WATER" cast on cover.



Wall Thickness inches [mm]	Approximate Weight lb [kg]
6 [152]	8 [4]

PRODUCT	DESCRIPTION	WALL THICKNESS	LIST PRICE
Z1335*	3/4" [19mm] Hose Connection Nickel Bronze Box and Cover with Polished Face	6"	984.00
SUFFIXES		ADD	
-CI	D.C.C.I. Box and Cover		N/C
-CL	Cylinder Lock		115.00
-PB	Polished Bronze Box		N/C
-RK	Hydrant Parts Repair Kit		262.00
-34FS	3/4" [19mm] Solder Female Inlet Adapter		N/C
-34UN	3/4" [19mm] IP 90° Inlet Elbow with Union Nut		68.00

¹Lead-free product. For more information, see page 282.
*Regularly furnished unless otherwise specified.

Ⓞ This symbol denotes a product that is engineered to reduce installation and rework time.
For additional product information, please visit www.zurn.com

Z1350 NARROW WALL HYDRANT – ENCASED, MODERATE CLIMATE



ENGINEERING SPECIFICATION

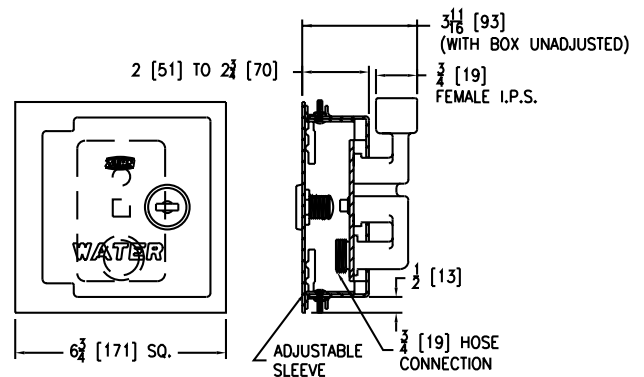
Zurn Z1350 encased moderate climate wall hydrant is designed for narrow wall installation. Comes complete with bronze body, all bronze interior parts, replaceable seat washer, screwdriver operated stop valve in supply, key operated control valve, and 3/4" [19mm] IP female inlet connection and 3/4" [19mm] male hose connection standard. Includes adjustable stainless steel box furnished with hinged cover, cylinder lock, and "WATER" stamped on cover.

NOTES

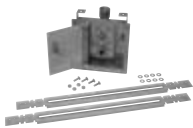
The adjustable sleeve on the stainless steel box is provided with a gasket as standard, but additional caulking of all inside joints is required (by others) after the hydrant box has been properly set. Caulking should be performed on all open seams, including the seams where the gasket is present.

Wall Thickness inches [mm]	Approximate Weight lb [kg]
4 [102]	4 [2]

PRODUCT	DESCRIPTION	WALL THICKNESS	LIST PRICE
Z1350*	3/4" [19mm] Hose Connection Stainless Steel Box and Cover with Bronze Body	4"	903.00
SUFFIXES			ADD
-RK	Hydrant Parts Repair Kit		418.00
-VB	3/4" [19mm] Adapter Vacuum Breaker		86.00
-34EL	3/4" [19mm] IP 90° Inlet Elbow		N/C
-34FS	3/4" [19mm] Solder Female Inlet Adapter		N/C



Z1350-EZ NARROW WALL HYDRANT WITH MOUNTING BRACKETS – ENCASED, MODERATE CLIMATE



ENGINEERING SPECIFICATION

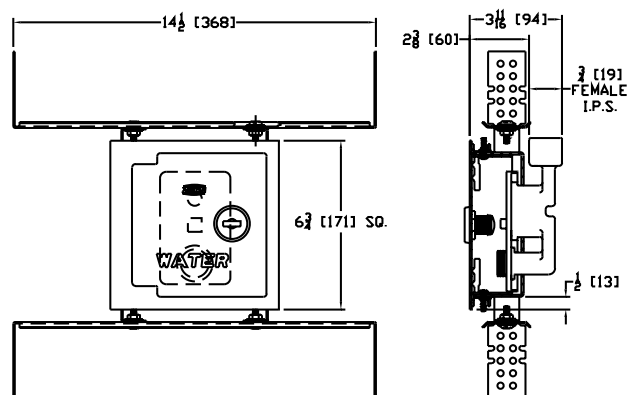
Zurn Z1350-EZ encased moderate climate wall hydrant is designed for narrow wall installation. Features bronze body, all bronze interior parts, replaceable seat washer, screwdriver operated stop valve in supply, key operated control valve, and 3/4" [19mm] IP female inlet and 3/4" [19mm] male hose connection standard. Includes stainless steel box and hinged cover with cylinder lock and "WATER" stamped on cover. Comes complete with mounting brackets and hardware for installation and horizontal adjustment inside a 16" [406mm] on center stud wall.

NOTES

The adjustable sleeve on the stainless steel box is provided with a gasket as standard, but additional caulking of all inside joints is required (by others) after the hydrant box has been properly set. Caulking should be performed on all open seams, including the seams where the gasket is present.

Wall Thickness inches [mm]	Approximate Weight lb [kg]
4 [102]	6 [3]

PRODUCT	DESCRIPTION	WALL THICKNESS	LIST PRICE
Z1350-EZ*	3/4" [19mm] Hose Connection Stainless Steel Box and Cover with Bronze Body	4"	1,032.00
SUFFIXES			ADD
-RK	Hydrant Parts Repair Kit		418.00
-VB	3/4" [19mm] Adapter Vacuum Breaker		86.00
-24	Mounting Brackets (For 24" [610mm] on Center Stud Wall)		N/C
-34EL	3/4" [19mm] IP 90° Inlet Elbow		36.00
-34FS	3/4" [19mm] Solder Female Inlet Adapter		N/C



⌚ This symbol denotes a product that is engineered to reduce installation and rework time. For additional product information, please visit www.zurn.com

*Lead-free product. For more information, see page 282.
*Regularly furnished unless otherwise specified.

Z1360XL GROUND HYDRANT – ENCASED, FLUSH TYPE, NON-FREEZE

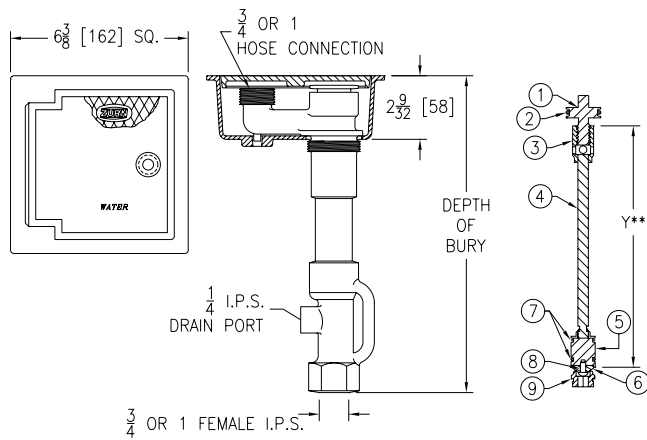


ENGINEERING SPECIFICATION

Zurn Z1360-XL encased, lead-free¹, non-freeze ground hydrant is designed for flush with grade or finished (non-traffic) floor installation. Features galvanized steel casing, bronze and stainless steel interior components, bronze seat and replaceable seat washer, non-turning operating rod, and free-floating compression closure valve with 3/4" [19mm] or 1" [25mm] inlet connection with 1/4" [6mm] tapped drainage port on housing, and 3/4" [19mm] or 1" [25mm] male hose connection. Includes plain bronze box and locking, hinged, scoriated cover stamped "WATER" and operating key.

NOTES

†Non-Freeze feature will not automatically function when (-VB suffix) vacuum breaker is specified. The vacuum breaker must be manually tripped to facilitate drainage of hydrant.



Depth of Bury feet [m]	Approximate Weight lb [kg]
2 [0.61]	17 [8]
3 [0.91]	21 [10]
4 [1.22]	25 [11]
5 [1.52]	33 [15]
6 [1.83]	39 [18]
7 [2.13]	43 [20]
8 [2.44]	47 [21]
9 [2.74]	52 [24]
10 [3.05]	56 [25]

PRODUCT	DESCRIPTION	DEPTH OF BURY FEET	LIST PRICE
Z1360XL*	3/4" [19mm] Hose Connection Bronze Box and Scoriated Cover with Galvanized Steel Casing	2'	1,627.00
		3'	1,669.00
		4'	1,713.00
		5'	1,756.00
		6'	1,808.00
		7'	1,905.00
		8'	2,020.00
		9'	2,144.00
		10'	2,273.00
			1" [25mm] Hose Connection Bronze Box and Scoriated Cover with Galvanized Steel Casing
3'	1,930.00		
4'	2,019.00		
5'	2,062.00		
6'	2,107.00		
7'	2,229.00		
		8'	2,363.00
		9'	2,502.00
		10'	2,654.00

SUFFIXES	ADD
-CI	D.C.C.I. Box and Cover N/C
-DP12	1/2" [13mm] IP Drain Port in Box 130.00
-DP14	1/4" [6mm] IP Drain Port in Box 130.00
-DP38	3/8" [10mm] IP Drain Port in Box 130.00
-HD-8	Heavy-Duty Ductile Iron Cover with Cast Iron Box 297.00
-HD-10	Heavy-Duty Stainless Steel Cover with Nickel Box 633.00
-K	Flashing Flange Only 582.00
-KC	Flashing Flange with Clamp Collar 634.00
-NB	Polished Nickel Bronze Box 210.00
-PB	Polished Bronze Box 42.00
-RK	Hydrant Parts Repair Kit (HYD-RK-Z1360XL) 266.00
-VB	3/4" [19mm] Adapter Vacuum Breaker† (Requires deeper box to accommodate vacuum breaker) 86.00

¹Lead-free product. For more information, see page 282.
*Regularly furnished unless otherwise specified.

Ⓞ This symbol denotes a product that is engineered to reduce installation and rework time. For additional product information, please visit www.zurn.com

Z1365 GROUND HYDRANT – ENCASED, FLUSH TYPE, NON-FREEZE

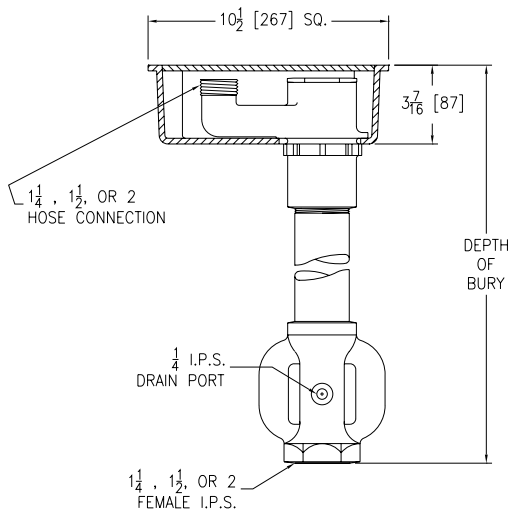


ENGINEERING SPECIFICATION

Zurn Z1365 encased, non-freeze ground hydrant is designed for flush with grade or finished floor installation. Features galvanized steel casing, all bronze interior parts, bronze seat and replaceable seat washer, and non-turning operating rod with free-floating compression closure valve with 1-1/4" [32mm], 1-1/2" [38mm], or 2" [51mm] connection. Includes Dura-Coated cast iron box and hinged scoriated cover with operating "T" handle key lock and "WATER" cast on cover. Hydrant is equipped with a tapped 1/4" NPT drain port in valve housing.

NOTES

Important: Hydrant must be opened one turn minimum to seal drain port during use.



Depth of Bury feet [m]	Approximate Weight lb [kg]
2 [0.61]	42 [19]
3 [0.91]	46 [21]
4 [1.22]	50 [23]
5 [1.52]	54 [24]
6 [1.83]	58 [26]

PRODUCT	DESCRIPTION	DEPTH OF BURY FEET	LIST PRICE
Z1365*	1-1/4" [32mm] Inlet/Hose Connection D.C.C.I. Box and Scoriated Cover with Galvanized Steel Casing	2'	7,779.00
		3'	7,862.00
	1-1/2" [38mm] Inlet/Hose Connection D.C.C.I. Box and Scoriated Cover with Galvanized Steel Casing	2'	8,052.00
		3'	8,135.00
		4'	8,216.00
		5'	8,295.00
	2" [51mm] Inlet/Hose Connection D.C.C.I. Box and Scoriated Cover with Galvanized Steel Casing	2'	8,937.00
		3'	9,200.00
		4'	9,289.00
		5'	9,538.00
		6'	9,807.00

SUFFIXES		ADD
-DP14	1/4" [6mm] IP Drain Port in Box	130.00
-NB	Polished Nickel Bronze Box	460.00
-PB	Polished Bronze Box	262.00
-RK	Hydrant Parts Repair Kit	962.00

This symbol denotes a product that is engineered to reduce installation and rework time. For additional product information, please visit www.zurn.com

*Lead-free product. For more information, see page 282. *Regularly furnished unless otherwise specified.

INTRO ROOF DRAINS FLOOR DRAINS T, P, BW VALVES INTERCEPTORS CARRIERS HYDRANTS CLEANOUTS W/HA SS DRAINS FAB SS DRAINS SAN-FLOOR TECH INFO

Z1370 GROUND HYDRANT – ENCASED, HOSE STORAGE, NON-FREEZE



ENGINEERING SPECIFICATION

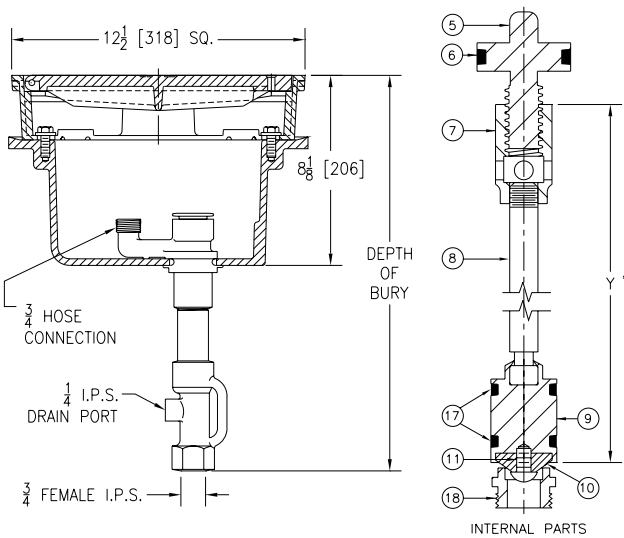
Zurn Z1370 encased, non-freeze ground hydrant is designed for flush with grade or finished floor installation. Features galvanized steel casing, all bronze interior components bronze seat and replaceable seat washer, and non-turning operating rod with free-floating compression closure valve. Dura-Coated cast iron box provides hose storage and comes complete with hinged, scoriated cover with operating key lock. Hydrant is equipped with a tapped 1/4" [6mm] NPT drain port in valve housing. (Hose should always be disconnected for storage.)

NOTES

Important: Hydrant must be opened one turn minimum to seal drain port during use.

Depth of Bury feet [m]	Approximate Weight lb [kg]
2 [0.61]	81 [37]
3 [0.91]	85 [39]
4 [1.22]	89 [40]
6 [1.83]	97 [44]

PRODUCT	DESCRIPTION	DEPTH OF BURY FEET	LIST PRICE
Z1370*	3/4" [19mm] Hose Connection	2'	2,761.00
	D.C.C.I. Box and Scoriated Cover with Galvanized Steel Casing	3'	2,761.00
		4'	2,851.00
		6'	2,939.00
SUFFIXES			ADD
-BC	Bronze Casing		305.00
-DP12	1/2" [13mm] IP Drain Port in Box		130.00
-NB	Polished Nickel Bronze Box (Add 3/16" [5mm] to 8-1/2" [216mm] Dim. and 3/4" [19mm] to 12-1/2" [318mm] Dim.)		2,373.00
-RK	Hydrant Parts Repair Kit		262.00



*Lead-free product. For more information, see page 282.
*Regularly furnished unless otherwise specified.

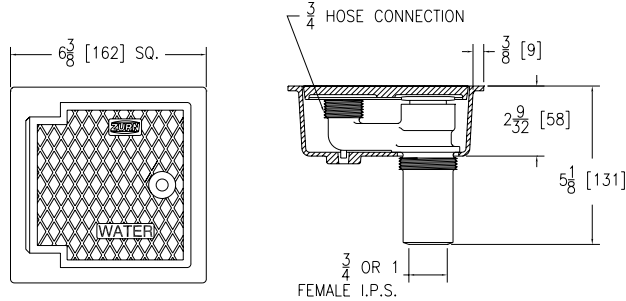
Ⓢ This symbol denotes a product that is engineered to reduce installation and rework time.
For additional product information, please visit www.zurn.com

Z1375 GROUND HYDRANT – ENCASED, MODERATE CLIMATE, INTERIOR USE



ENGINEERING SPECIFICATION

Zurn Z1375 encased, moderate climate ground hydrant is designed for flush with grade or finished floor installation. Comes complete with all bronze interior parts, replaceable bronze seat and seat washer, and non-turning operating coupling with free-floating compression closure valve. Includes Dura-Coated cast iron box and hinged, scoriated cover with "WATER" cast on cover.



Approximate Weight lb [kg]	
8 [4]	

PRODUCT	DESCRIPTION	APP. WT. LBS.	LIST PRICE
Z1375*	3/4" [19mm] Hose Connection D.C.C.I. Box and Scoriated Cover with Bronze Hydrant	8	1,506.00
SUFFIXES		ADD	
-DP14	1/4" [6mm] Drain Port in Box		130.00
-HD-8	Heavy-Duty Ductile Iron Cover with Cast Iron Box		351.00
-HD-10	Heavy Duty Stainless Steel Cover with Nickel Box		737.00
-NB	Polished Nickel Bronze Box		322.00
-PB	Polished Bronze Box		137.00
-RK	Hydrant Parts Repair Kit		262.00
-VB	3/4" [19mm] Adapter Vacuum Breaker (Requires deeper box to accommodate vacuum breaker)		86.00

Z1385 POST HYDRANT – EXPOSED HEAD, NON-FREEZE

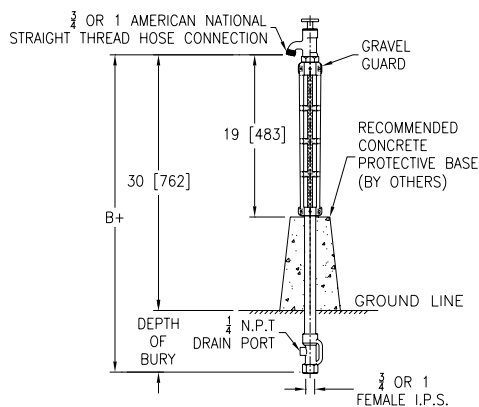


ENGINEERING SPECIFICATION

Zurn Z1385 exposed, non-freeze post hydrant features galvanized steel casing and cast aluminum casing guard, all bronze interior parts, bronze seat and replaceable seat washer, and non-turning operating rod with free-floating compression closure valve with 3/4" [19mm] or 1" [25mm] connection. Includes operating key. Hydrant is equipped with a tapped 1/4" [6mm] NPT drain port in valve housing.

NOTES

- 'B' dimension based on outlet connection 30" [762mm] above ground.
- Important: Hydrant must be opened one turn minimum to seal drain port during use.
- Non-Freeze feature will not automatically function when (-VB suffix) vacuum breaker is specified. The vacuum breaker must be manually tripped to facilitate drainage of hydrant.



Depth of Bury feet [m]	B+ feet [m]	Approximate Weight lb [kg]
2 [0.61]	4-1/2 [1.37]	25 [11]
3 [0.91]	5-1/2 [1.68]	29 [13]
4 [1.22]	6-1/2 [1.98]	33 [15]
5 [1.52]	7-1/2 [2.29]	37 [17]
6 [1.83]	8-1/2 [2.59]	41 [19]
7 [2.13]	9-1/2 [2.90]	45 [20]
8 [2.44]	10-1/2 [3.20]	49 [22]

PRODUCT	DESCRIPTION	DEPTH OF BURY FEET	LIST PRICE
Z1385*	3/4" [19mm] Inlet/Hose Connection Bronze Exposed Head with Galvanized Steel Casing and Aluminum Casing Guard	2'	1,488.00
		3'	1,533.00
		4'	1,575.00
		5'	1,620.00
		6'	1,664.00
		7'	1,781.00
		8'	1,889.00
		1" [25mm] Inlet/Hose Connection Bronze Exposed Head with Galvanized Steel Casing and Aluminum Casing Guard	2'
3'	1,841.00		
4'	1,880.00		
5'	1,927.00		
6'	1,967.00		
7'	2,081.00		
8'	2,208.00		
SUFFIXES			ADD
-RK	Hydrant Parts Repair Kit		262.00
-VB	3/4" [19mm] Adapter Vacuum Breaker†		86.00
-WH	Wheel Handle		167.00

⌚ This symbol denotes a product that is engineered to reduce installation and rework time. For additional product information, please visit www.zurn.com

*Lead-free product. For more information, see page 282.
†Regularly furnished unless otherwise specified.

Z1388XL ROOF HYDRANT – EXPOSED HEAD, NON-FREEZE



ENGINEERING SPECIFICATION

Zurn Z1388XL exposed, lead-free¹, non-freeze roof hydrant features a Dura-Coated cast iron head and lift handle with lock option, galvanized steel casing, bronze and stainless steel interior components, 3/4" [19mm] inlet connection with 1/8" [3mm] tapped drain port on housing, and 3/4" [19mm] male hose connection. Comes complete with Dura-Coated cast iron roof support sleeve, wide anchoring flange, and clamp collar.

NOTES

¹Non-Freeze feature will not automatically function when vacuum breaker (-VB suffix) is specified. The vacuum breaker must be manually tripped to facilitate drainage of hydrant.

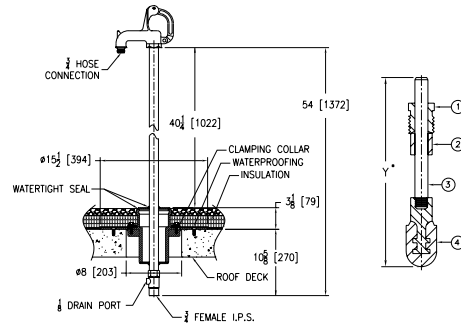


XL LEAD FREE

Approximate Weight lb [kg]

27 [12]

PRODUCT	DESCRIPTION	APP. WT. LBS.	LIST PRICE
Z1388XL*	3/4" [19mm] Inlet/Hose Connection	27	2,558.00
SUFFIXES		ADD	
-AC	Aluminum Casing Guard		191.00
-RK	Hydrant Parts Repair Kit (HYD-RK-Z1395XL)		196.00
-VB	3/4" [19mm] Adapter Vacuum Breaker†		86.00



Z1390 POST HYDRANT – EXPOSED HEAD, NON-FREEZE



ENGINEERING SPECIFICATION

Zurn Z1390 exposed, non-freeze post hydrant features galvanized steel casing and cast aluminum casing guard, all bronze interior parts, bronze seat and replaceable seat washer, and non-turning operating rod with free-floating compression closure valve with 1-1/4" [32mm], 1-1/2" [38mm], or 2" [51mm] connection. Includes T-handle operating key. Hydrant is equipped with a tapped 1/4" [6mm] NPT drain port in valve housing.

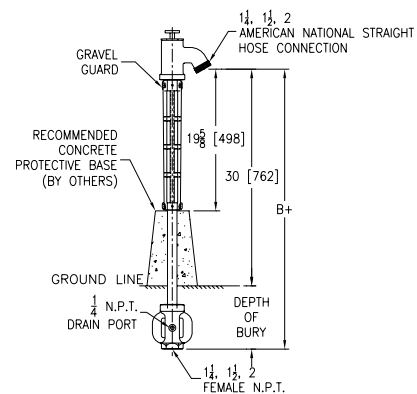
NOTES

- "B" dimension based on outlet connection 30" [762mm] above ground.
- Important: Hydrant must be opened one turn minimum to seal drain port during use.

Depth of Bury feet [m]	B+ feet [m]	Approximate Weight lb [kg]
3 [0.91]	5-1/2 [1.68]	62 [28]
4 [1.22]	6-1/2 [1.98]	67 [30]
5 [1.52]	7-1/2 [2.29]	72 [33]
6 [1.83]	8-1/2 [2.59]	77 [35]
8 [2.44]	10-1/2 [3.20]	87 [39]

PRODUCT	DESCRIPTION	DEPTH OF BURY FEET	LIST PRICE
Z1390*	1-1/4" [32mm] Hose Connection	3'	6,480.00
	Bronze Exposed Head with Galvanized Steel Casing and Aluminum Casing Guard	4'	6,558.00
		5'	6,638.00
		6'	6,722.00
		8'	7,412.00
	1-1/2" [38mm] Hose Connection	3'	6,749.00
	Bronze Exposed Head with Galvanized Steel Casing and Aluminum Casing Guard	4'	6,830.00
		5'	6,911.00
		6'	6,964.00
		8'	7,713.00
	2" [51mm] Hose Connection	3'	8,073.00
	Bronze Exposed Head with Galvanized Steel Casing and Aluminum Casing Guard	4'	8,194.00
		5'	8,283.00
		6'	8,434.00
		8'	8,906.00

SUFFIXES		ADD	
-RK	Hydrant Parts Repair Kit		1,251.00
-WH	Wheel Handle		167.00



¹Lead-free product. For more information, see page 282.
*Regularly furnished unless otherwise specified.

Ⓞ This symbol denotes a product that is engineered to reduce installation and rework time. For additional product information, please visit www.zurn.com

Z1395XL YARD HYDRANT – EXPOSED HEAD, NON-FREEZE



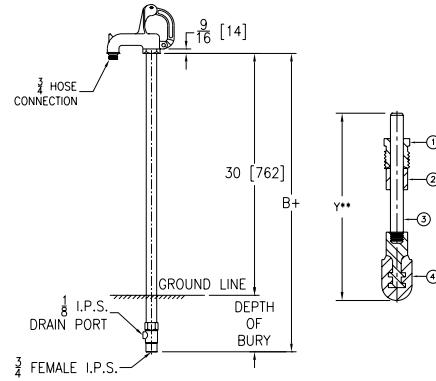
ENGINEERING SPECIFICATION

Zurn Z1395XL exposed, lead-free[†], non-freeze yard hydrant features a Dura-Coated cast iron head and lift handle with lock option, galvanized steel casing, bronze and stainless steel interior components, 3/4" [19mm] inlet connection with 1/8" [3mm] tapped drainage port on housing, and 3/4" [19mm] male hose connection.

NOTES

1. B' dimension based on outlet connection 30" [762mm] above ground.
2. †Non-Freeze feature will not automatically function when vacuum breaker (-VB suffix) is specified. The vacuum breaker must be manually tripped to facilitate drainage of hydrant.

Depth of Bury feet [m]	B+ feet [m]	Approximate Weight lb [kg]
2 [0.61]	4-1/2 [1.37]	15 [7]
3 [0.91]	5-1/2 [1.68]	19 [9]
4 [1.22]	6-1/2 [1.98]	23 [10]
5 [1.52]	7-1/2 [2.29]	27 [12]
6 [1.83]	8-1/2 [2.59]	31 [14]
8 [2.44]	10-1/2 [3.20]	39 [18]



PRODUCT	DESCRIPTION	DEPTH OF BURY FEET	LIST PRICE
Z1395XL*	3/4" [19mm] Hose Connection D.C.C.I. Head with Galvanized Steel Casing	2'	709.00
		3'	861.00
		4'	885.00
		5'	960.00
		6'	1,118.00
		8'	1,273.00
SUFFIXES			ADD
-AC	Aluminum Casing Guard		167.00
-RK	Hydrant Parts Repair Kit		242.00
-VB	3/4" [19mm] Adapter Vacuum Breaker†		86.00

⌚ This symbol denotes a product that is engineered to reduce installation and rework time. For additional product information, please visit www.zurn.com

[†]Lead-free product. For more information, see page 282.
 *Regularly furnished unless otherwise specified.

Z1397XL FLO-TROL YARD HYDRANT – EXPOSED HEAD, NON-FREEZE



ENGINEERING SPECIFICATION

Zurn Z1397XL exposed, lead-free[†], non-freeze yard hydrant features a Dura-Coated cast iron head and lift handle with lock option, slotted links for adjustable locking flow control, galvanized steel casing, bronze and stainless steel interior components, 3/4" [19mm] inlet connection with 1/8" [3mm] tapped drainage port on housing, and 3/4" [19mm] male hose connection.

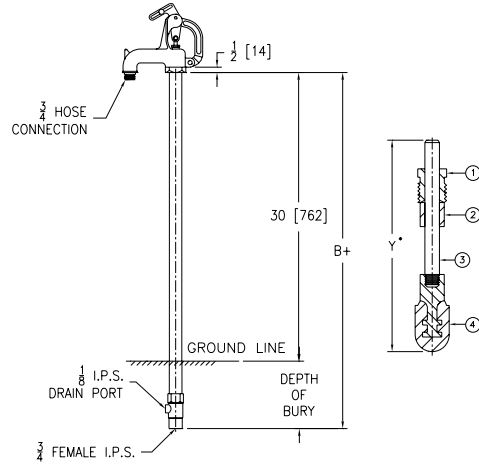
NOTES

†Non-Freeze feature will not automatically function when vacuum breaker (-VB suffix) is specified. The vacuum breaker must be manually tripped to facilitate drainage of hydrant.



XL LEAD FREE

Depth of Bury feet [m]	B+ feet [m]	Approximate Weight lb [kg]
2 [0.61]	4-1/2 [1.37]	15 [7]
3 [0.91]	5-1/2 [1.68]	19 [9]
4 [1.22]	6-1/2 [1.98]	23 [10]
5 [1.52]	7-1/2 [2.29]	27 [12]
6 [1.83]	8-1/2 [2.59]	31 [14]
8 [2.44]	10-1/2 [3.20]	39 [18]



PRODUCT	DESCRIPTION	DEPTH OF BURY FEET	LIST PRICE
Z1397XL*	3/4" [19mm] Hose Connection D.C.C.I. Head with Galvanized Steel Casing	2'	634.00
		3'	861.00
		4'	885.00
		5'	960.00
		6'	1,118.00
		8'	1,273.00
SUFFIXES			ADD
-AC	Aluminum Casing Guard		167.00
-RK	Hydrant Parts Repair Kit		242.00
-VB	3/4" [19mm] Adapter Vacuum Breaker†		86.00

[†]Lead-free product. For more information, see page 282.
*Regularly furnished unless otherwise specified.

Ⓞ This symbol denotes a product that is engineered to reduce installation and rework time.
For additional product information, please visit www.zurn.com

CLEANOUTS

CLEANOUTS – APPLICATION INDEX	300
Z1400 EXTRA HEAVY-DUTY "LEVEL-TROL" ADJUSTABLE FLOOR CLEANOUT	301
🕒 Z1400-BZ "LEVEL-TROL" ADJUSTABLE LEVELING FLOOR CLEANOUT	302
🕒 Z1400-SZ "LEVEL-TROL" SQUARE ADJUSTABLE LEVELING FLOOR CLEANOUT	303
Z1400-K HEAVY-DUTY "LEVEL-TROL" ADJUSTABLE FLOOR CLEANOUT WITH ANCHOR FLANGE	304
Z1402 HEAVY-DUTY NON-ADJUSTABLE FLOOR CLEANOUT	305
Z1404 HEAVY-DUTY FLOOR ACCESS HOUSING	306
Z1406 HEAVY-DUTY ADJUSTABLE SPIGOT CLEANOUT	307
Z1440 CLEANOUT FERRULE WITH PLUG	308
Z1445 CLEANOUT TEE	308
Z1449 CLEANOUT FERRULE WITH PLUG	309
Z1454 ADJUSTABLE FLOOR CLEANOUT WITH FLASHING FLANGE	309
Z1456 DECK CLEANOUT	310
Z1457 FLOOR ACCESS COVER	310
Z1460 SQUARE WALL ACCESS PANEL	311
Z1461 SQUARE HINGED ACCESS PANEL	311
Z1462 SECURED WALL ACCESS PANEL	312
Z1463 ROUND SCORIATED ACCESS COVER	312
Z1464 WATER SUPPLY CONTROL BOX ASSEMBLY	313
Z1468 ACCESS COVER AND PLUG	313
Z1469 ROUND ACCESS COVER	314
Z1470 BRONZE CLEANOUT PLUG	314
Z1471 AIR INLET	315
Z1474 HEAVY-DUTY CLEANOUT HOUSING	315
Z1602 ADJUSTABLE ROUND MEDIUM-DUTY NICKEL BRONZE CLEANOUT	316
Z1612 ADJUSTABLE ROUND HEAVY-DUTY NICKEL BRONZE CLEANOUT	316
Z1615 CAST IRON LINE OR FLOOR CLEANOUT - NON-ADJUSTABLE	317
Z1616 CAST IRON LINE OR FLOOR CLEANOUT - NON-ADJUSTABLE	317
Z1666 SEAL OR TEST PLUG	318
Z1666-1 URINAL CLEANOUT	318

CLEANOUTS – APPLICATION INDEX

Product selection should be made with a specific application and the type of construction in mind. The varied types and sizes of Zurn cleanouts, along with their options, offer a selection for all applications.

APPLICATION	TYPE	RECOMMENDED CLEANOUT
Finished Floor Areas	"Level-Trol" Adjustable	Z1400, Z1400-K, ZN1400, ZN1454
	Non-Adjustable	ZN1402
	Linoleum, Tile or Composition Floors (Adjustable)	Z1400B-DP, Z1400S-DP, Z1400-BZ, ZN1400-K, ZN1400-TX (Square), ZN1400-X (Round)
	Linoleum, Tile or Composition Floors (Non-Adjustable)	ZN1402-TX (Square), ZN1402-X (Round)
	Terrazzo Floors	Z1400-K, ZN1400-Z
Heavy Traffic and Industrial Areas	"Level-Trol" Adjustable	Z1400, ZN1400-HD (Round or Square), Z1400-K
	Non-Adjustable	ZN1402-HD, Z1474
Medium Traffic and Areaways	Adjustable (Finished Area)	Z1454, Z1404
Exposed Drainage Lines	Horizontal and Vertical Cleanouts	Z1440, Z1445
Access Covers and Boxes	Deck Areas	Z1456, Z1457, Z1463
	Square Covers	Z1460, Z1461, Z1462
	Round Covers	Z1463, Z1469
	Access Boxes	Z1464
Air Inlets	Finished Areas	Z1471
General Purpose	Cleanout	Z1440, Z1445, Z1449
	Cleanout Plug	Z1470

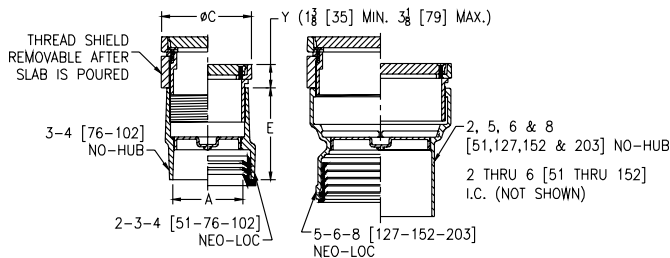
Z1400 EXTRA HEAVY-DUTY "LEVEL-TROL" ADJUSTABLE FLOOR CLEANOUT



ENGINEERING SPECIFICATION

Zurn Z1400 level-trol adjustable floor cleanout features Dura-Coated cast iron body, gas and watertight ABS tapered thread plug, and round scoriated cast iron extra heavy-duty secured top (specify finish Z, ZB, ZN, ZS) adjustable to finished floor.

A Pipe Size/ Outlet Type	Dimensions in inches [mm]		Approximate Weight lb [kg]
	C	E Body Height Dimensions	
Inside Caulk (IC)			
2IC	6-1/8 [156]	6-7/8 [175]	14 [6]
3IC	6-1/8 [156]		14 [6]
4IC	7-1/4 [184]		18 [8]
6IC	9-1/4 [235]		32 [15]
No-Hub (NH)			
2NH	4-1/8 [105]	4-5/8 [117]	7 [3]
3NH	4-1/8 [105]	4-3/4 [121]	8 [4]
4NH	5-1/8 [130]	4-3/4 [121]	10 [5]
6NH	8-1/4 [210]	4-3/4 [121]	22 [10]
8NH	9-1/4 [235]	7-1/2 [191]	30 [14]
Neo-Loc (NL)			
2NL	4-1/8 [105]	4-3/4 [121]	8 [4]
3NL	5-1/8 [130]	4-3/4 [121]	11 [5]
4NL	5-1/8 [130]	4-3/4 [121]	12 [5]
6NL	8-1/4 [210]	5-7/8 [149]	22 [10]
8NL	9-1/4 [235]	6-1/2 [165]	24 [11]



PREFIXES	DESCRIPTION	A PIPE SIZE	LIST PRICE	
Z1400*	Dura-Coated Cast Iron	2"	327.00	
		3"	327.00	
		4"	327.00	
		6"	536.00	
		8"	712.00	
ZB1400	D.C.C.I. with Polished Bronze Light-Duty Top (Deduct 1/2" [13mm] from 'Y' Dim.)	2"	434.00	
		3"	434.00	
		4"	434.00	
		6"	680.00	
		8"	855.00	
ZN1400	D.C.C.I. with Polished Nickel Bronze Light-Duty Top (Deduct 1/2" [13mm] from 'Y' Dim.)	2"	457.00	
		3"	457.00	
		4"	457.00	
		6"	719.00	
		8"	861.00	
ZS1400	D.C.C.I. with Polished Stainless Steel Heavy-Duty Top (Add 3/16" [5mm] to 'Y' Dim.)	2"	POA	
		3"	POA	
		4"	POA	
		5"	POA	
		6"	POA	
		8"	POA	
OUTLET (SPECIFY PIPE SIZE IN INCHES AND TYPE OF OUTLET)				
TYPE	DESCRIPTION	PIPE SIZE/OUTLET TYPE	E BODY HT. DIM.	ADD
IC	Inside Caulk	2IC, 3IC, 4IC, 6IC	See Chart	N/C
NH	No-Hub	2NH, 3NH, 4NH, 6NH, 8NH	See Chart	N/C
NL	Neo-Loc	2NL, 3NL, 4NL, 6NL, 8NL	See Chart	N/C
SUFFIXES				ADD
-AR	Acid Resisting Epoxy Coated Finish			240.00
-BP	Bronze Plug		2" [51mm], 3" [76mm], 4" [102mm]	121.00
			6" [152mm], 8" [203mm]	385.00
-CF	Carpet Flange Cover (ZB and ZN only)			220.00
-CM	Carpet Marker			36.00
-DC	Duresist Cover			237.00
-DX	Round ZB or ZN Top with Dex-O-Tex Flange (2" [51mm] thru 4" [102mm] sizes only)			370.00
-G	Galvanized Cast Iron			154.00
-HD	Extra Heavy-Duty Veneer Top - Add 1/8" [3mm] to 'Y' Dim. (ZB and ZN only)			80.00
-K	Anchor Flange			N/C
-KC	Anchor Flange with Clamping Collar			109.00
⓪ -PC	Protective Cover			65.00
-SG	Solid Gasketed Cover			237.00
-SM	Special Marking Stamped on Top			167.00
-T	Square Top			119.00
⓪ -TC	Neo-Loc Test Cap Gasket (2" [51mm], 3" [76mm], 4" [102mm] NL Bottom Outlet Only)			18.00
-TX	Square Top Recessed for 1/8" [3mm] Tile (ZB and ZN only)			119.00
-VP	Vandal-Proof Screws			73.00
-X	Round Top Recessed for 1/8" [3mm] Tile (ZB and ZN only)			N/C
-Z	Round Top Recessed for 1-1/4" [32mm] Terrazzo (ZB and ZN only)			119.00

*Regularly furnished unless otherwise specified.

Items designated as Best Sellers are most specified and are generally in stock for shipment.

⓪ This symbol denotes a product that is engineered to reduce installation and rework time.

For additional product information, please visit www.zurn.com

🕒 Z1400-BZ "LEVEL-TROL" ADJUSTABLE LEVELING FLOOR CLEANOUT

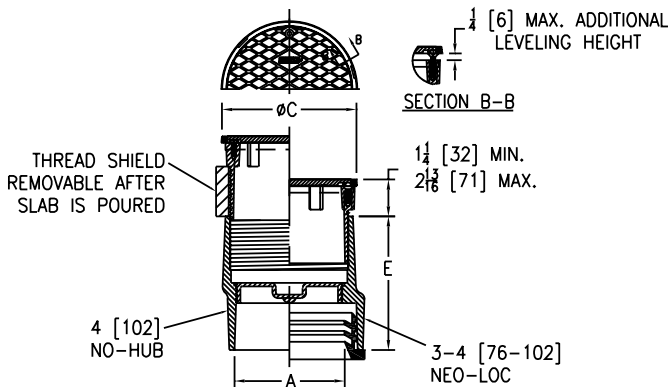


ENGINEERING SPECIFICATION

Zurn Z1400-BZ level-trol adjustable leveling floor cleanout features Dura-Coated cast iron body, gas and watertight ABS tapered thread plug, and round scoriated secured light-duty top (specify finish ZB, ZN, ZS) with additional leveling adjustment to finished floor.

PATENTED

A Pipe Size/ Outlet Type	Dimensions in inches [mm]		Approximate Weight lb [kg]
	C	E Body Height Dimensions	
No-Hub (NH)			
4NH	5-1/32 [128]	4-3/4 [121]	10 [5]
Neo-Loc (NL)			
3NL	5-1/32 [128]	4-3/4 [121]	11 [5]
4NL			12 [5]



PREFIXES	DESCRIPTION	A PIPE SIZE	LIST PRICE
ZB1400-BZ	D.C.C.I. with Polished Bronze Top	3"	496.00
		4"	496.00
ZN1400-BZ	D.C.C.I. with Polished Nickel Bronze Top	3"	518.00
		4"	518.00
ZS1400-BZ	D.C.C.I. with Polished Type 304 (CF8) Stainless Steel Top	3"	POA
		4"	POA

OUTLET (SPECIFY PIPE SIZE IN INCHES AND TYPE OF OUTLET)				
TYPE	DESCRIPTION	PIPE SIZE/OUTLET TYPE	E BODY HT. DIM.	ADD
NH	No-Hub	4NH	See Chart	N/C
NL	Neo-Loc	3NL, 4NL	See Chart	N/C

SUFFIXES			ADD
-AR	Acid Resisting Epoxy Coated Finish		276.00
-BP	Bronze Plug	3" [76mm], 4" [102mm]	152.00
-CM	Carpet Marker		61.00
-G	Galvanized Cast Iron		173.00
-K	Anchor Flange		N/C
-KC	Anchor Flange with Clamping Collar		109.00
🕒 -PC	Protective Cover		65.00
-SM	Special Marking Stamped on Top		152.00
🕒 -TC	Neo-Loc Test Cap Gasket (3"-4" [76mm - 102mm] NL Bottom Outlet Only)		18.00
-VP	Vandal-Proof Screws		56.00

🕒 Z1400-SZ "LEVEL-TROL" SQUARE ADJUSTABLE LEVELING FLOOR CLEANOUT

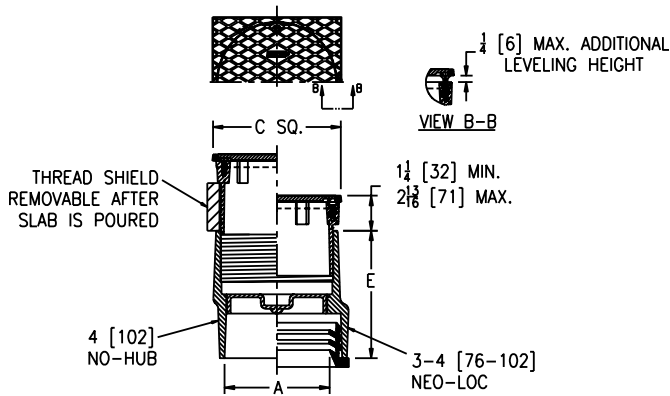


ENGINEERING SPECIFICATION

Zurn Z1400-SZ level-trol square adjustable leveling floor cleanout features Dura-Coated cast iron body, gas and watertight ABS tapered thread plug, and round scoriated secured light-duty top (specify finish ZB, ZN, ZS) with additional leveling adjustment to finished floor.

PATENTED

A Pipe Size/ Outlet Type	Dimensions in inches [mm]		Approximate Weight lb [kg]
	C	E Body Height Dimensions	
No-Hub (NH)			
4NH	5-1/32 [128]	4-3/4 [121]	11 [5]
Neo-Loc (NL)			
3NL	5-1/32 [128]	4-3/4 [121]	11 [5]
4NL			12 [5]



PREFIXES	DESCRIPTION	A PIPE SIZE	LIST PRICE
ZB1400-SZ	D.C.C.I. with Polished Bronze Top	3"	496.00
		4"	496.00
ZN1400-SZ	D.C.C.I. with Polished Nickel Bronze Top	3"	518.00
		4"	518.00
ZS1400-SZ	D.C.C.I. with Polished Type 304 (CF8) Stainless Steel Top	3"	POA
		4"	POA

OUTLET (SPECIFY PIPE SIZE IN INCHES AND TYPE OF OUTLET)				
TYPE	DESCRIPTION	PIPE SIZE/OUTLET TYPE	E BODY HT. DIM.	ADD
NH	No-Hub	4NH	See Chart	N/C
NL	Neo-Loc	3NL, 4NL	See Chart	N/C

SUFFIXES			ADD
-AR	Acid Resisting Epoxy Coated Finish		276.00
-BP	Bronze Plug	3" [76mm], 4" [102mm]	152.00
-CM	Carpet Marker		61.00
-G	Galvanized Cast Iron		173.00
-K	Anchor Flange		NC
-KC	Anchor Flange with Clamping Collar		109.00
-SM	Special Marking Stamped on Top		152.00
🕒 -TC	Neo-Loc Test Cap Gasket (3"-4" [76mm - 102mm] NL Bottom Outlet Only)		18.00
-VP	Vandal-Proof Screws		56.00

*Regularly furnished unless otherwise specified.

Items designated as Best Sellers are most specified and are generally in stock for shipment.

🕒 This symbol denotes a product that is engineered to reduce installation and rework time.

For additional product information, please visit www.zurn.com

INTRO ROOF DRAINS FLOOR DRAINS T, P, BW VALVES INTERCEPTORS CARRIERS HYDRANTS CLEANOUTS W/HA SS DRAINS FAB SS DRAINS SANI-FLOOR TECH INFO

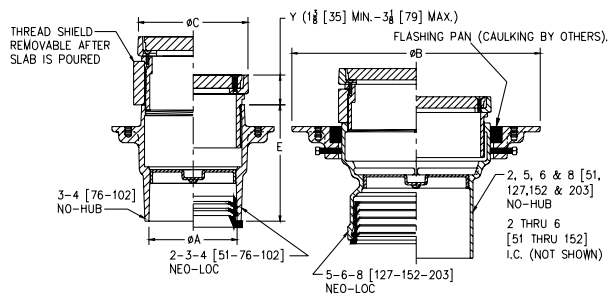
Z1400-K HEAVY-DUTY "LEVEL-TROL" ADJUSTABLE FLOOR CLEANOUT WITH ANCHOR FLANGE



ENGINEERING SPECIFICATION

Zurn Z1400-K level-trol adjustable floor cleanout features Dura-Coated cast iron body, anchor flange, gas and watertight ABS tapered thread plug, and round scoriated cast iron heavy-duty secured top (specify finish Z, ZB, ZN, ZS) adjustable to finished floor.

A Pipe Size/ Outlet Type	Dimensions in inches [mm]			Approximate Weight lb [kg]
	B	C	E Body Height Dimensions	
Inside Caulk (IC)				
2IC	9-1/2 [241]	6-1/8 [156]	6-7/8 [175]	18 [8]
3IC	9-1/2 [241]	6-1/8 [156]		19 [9]
4IC	11-1/2 [292]	7-1/4 [184]		20 [9]
6IC	12-1/4 [311]	9-1/4 [235]		39 [18]
No-Hub (NH)				
2NH	7-1/2 [191]	4-1/8 [105]	4-5/8 [117]	11 [5]
3NH	7-1/2 [191]	5-1/8 [130]	5-3/8 [137]	10 [5]
4NH	7-1/2 [191]	5-1/8 [130]	5-3/8 [137]	13 [6]
6NH	11-1/2 [292]	8-1/4 [210]	4-3/4 [121]	29 [13]
8NH	12-1/4 [311]	9-1/4 [235]	7-1/2 [191]	38 [17]
Neo-Loc (NL)				
2NL	7-1/2 [191]	5-1/8 [130]	5-3/8 [137]	12 [5]
3NL	7-1/2 [191]	5-1/8 [130]	5-3/8 [137]	13 [6]
4NL	7-1/2 [191]	5-1/8 [130]	5-3/8 [137]	14 [6]
6NL	11-1/2 [292]	8-1/4 [210]	5-7/8 [149]	29 [13]
8NL	12-1/4 [311]	9-1/4 [235]	6-1/2 [165]	32 [15]



Ⓢ Shown with -SA Stabilizer Option

PREFIXES	DESCRIPTION	A PIPE SIZE	LIST PRICE	
Z1400-K*	Dura-Coated Cast Iron	2"	327.00	
		3"	327.00	
		4"	327.00	
		6"	536.00	
		8"	712.00	
ZB1400-K	D.C.C.I. with Polished Bronze Light-Duty Top (Deduct 1/2" [13mm] from 'Y' Dim.)	2"	435.00	
		3"	435.00	
		4"	435.00	
		6"	683.00	
		8"	855.00	
ZN1400-K	D.C.C.I. with Polished Nickel Bronze Light-Duty Top (Deduct 1/2" [13mm] from 'Y' Dim.)	2"	457.00	
		3"	457.00	
		4"	457.00	
		6"	719.00	
		8"	901.00	
ZS1400-K	D.C.C.I. with Polished Stainless Steel Heavy-Duty Top (Add 3/16" [5mm] to 'Y' Dim.)	2"	POA	
		3"	POA	
		4"	POA	
		6"	POA	
		8"	POA	
OUTLET (SPECIFY PIPE SIZE IN INCHES AND TYPE OF OUTLET)				
TYPE	DESCRIPTION	PIPE SIZE/OUTLET TYPE	E BODY HT. DIM.	ADD
IC	Inside Caulk	2IC, 3IC, 4IC, 6IC	See Chart	N/C
NH	No-Hub	2NH, 3NH, 4NH, 6NH, 8NH	See Chart	N/C
NL	Neo-Loc	2NL, 3NL, 4NL, 6NL, 8NL	See Chart	N/C
SUFFIXES				
	DESCRIPTION			ADD
-AR	Acid Resisting Epoxy Coated Finish			240.00
-BP	Bronze Plug	2"	[51mm],	121.00
		3"	[76mm],	
		4"	[102mm]	
		6"	[152mm],	385.00
		8"	[203mm]	
-C	Clamp Collar			109.00
-CF	Carpet Flange Cover (ZB and ZN only)			220.00
-CM	Carpet Marker			36.00
-DC	Duresist Cover			237.00
-DX	Round ZB or ZN Top with Dex-O-Tex Flange (2" [51mm] thru 4" [102mm] sizes only)			370.00
-G	Galvanized Cast Iron			154.00
-HD	Heavy-Duty Veneer Top - Add 1/8" [3mm] to 'Y' Dim. (ZB and ZN only)			80.00
Ⓢ -SA	Stabilizer Assembly (See Z1035)			104.00
-SG	Solid Gasketed Cover			237.00
-SM	Special Marking Stamped on Top			167.00
-T	Square Top			119.00
Ⓢ -TC	Neo-Loc Test Cap Gasket (2" [51mm], 3" [76mm], 4" [102mm] NL Bottom Outlet Only)			18.00
-TX	Square Top Recessed for 1/8" [3mm] Tile (ZB and ZN only)			119.00
-VP	Vandal-Proof Screws			73.00
-X	Round Top Recessed for 1/8" [3mm] Tile (ZB and ZN only)			N/C
-Z	Round Top Recessed for 1-1/4" [32mm] Terrazzo (ZB and ZN only)			119.00

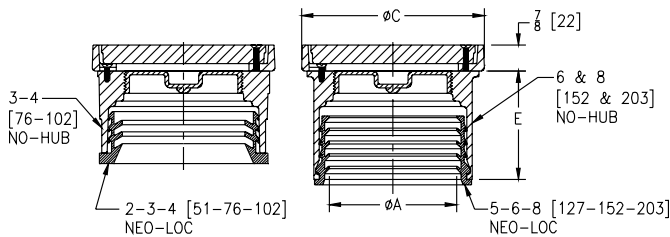
Z1402 HEAVY-DUTY NON-ADJUSTABLE FLOOR CLEANOUT



ENGINEERING SPECIFICATION

Zurn Z1402 tuf-top non-adjustable floor cleanout features Dura-Coated cast iron body, gas and watertight ABS tapered thread plug, and round scoriated cast iron heavy-duty secured cover and frame.

A Pipe Size/ Outlet Type	Dimensions in inches [mm]		Approximate Weight lb [kg]
	C	E Body Height Dimensions	
Neo-Loc (NL)			
2NL	4-1/8 [105]	2-3/4 [70]	5 [2]
3NL	5-1/8 [130]		8 [4]
4NL	6-1/8 [156]		10 [5]
5NL	7-1/4 [184]	3-5/8 [92]	15 [7]
6NL	8-1/4 [210]		17 [8]
8NL	9-1/4 [235]		22 [10]
No-Hub (NH)			
3NH	4-1/8 [105]	2-3/4 [70]	5 [2]
4NH	5-1/8 [130]		8 [4]
6NH	7-1/4 [184]	3-5/8 [92]	15 [7]
8NH	9-1/4 [235]		22 [10]



PREFIXES	DESCRIPTION	A PIPE SIZE	LIST PRICE	
Z1402*	Dura-Coated Cast Iron	2"	233.00	
		3"	262.00	
		4"	283.00	
		5"	423.00	
		6"	423.00	
ZB1402	D.C.C.I. with Polished Bronze Light-Duty Top (Deduct 1/2" [13mm] from 7/8" [22mm] Dim.)	2"	333.00	
		3"	365.00	
		4"	390.00	
		5"	559.00	
		6"	559.00	
ZN1402	D.C.C.I. with Polished Nickel Bronze Light-Duty Top (Deduct 1/2" [13mm] from 7/8" [22mm] Dim.)	2"	351.00	
		3"	384.00	
		4"	409.00	
		5"	590.00	
		6"	590.00	
ZS1402	D.C.C.I. with Polished Stainless Steel Heavy-Duty Top (Add 3/16" [5mm] to 7/8" [22mm] Dim.)	2"	POA	
		3"	POA	
		4"	POA	
		5"	POA	
		6"	POA	
		8"	POA	
		8"	941.00	
		8"	941.00	
		8"	941.00	
		8"	941.00	
OUTLET (SPECIFY PIPE SIZE IN INCHES AND TYPE OF OUTLET)				
TYPE	DESCRIPTION	PIPE SIZE/OUTLET TYPE	E BODY HT. DIM.	ADD
NH	No-Hub	3NH, 4NH, 6NH, 8NH	See Chart	N/C
NL	Neo-Loc	2NL, 3NL, 4NL, 5NL, 6NL, 8NL	See Chart	N/C
SUFFIXES				ADD
-BP	Bronze Plug	2" [51mm], 3" [76mm], 4" [102mm]		120.00
		6" [152mm], 8" [203mm]		385.00
-CM	Carpet Marker			36.00
-DX	Round ZB or ZN Top with Dex-O-Tex Flange (2", 3", 4", 5" [51mm - 127mm] sizes only)			89.00
-G	Galvanized Cast Iron			80.00
-HD	Heavy-Duty Veneer Top - Add 1/8" [3mm] to 7/8" [22mm] Dim. (ZB and ZN only)			80.00
-T	Square Top			119.00
Ⓢ -TC	Neo-Loc Test Cap Gasket (2" [51mm], 3" [76mm], 4" [102mm] NL Bottom Outlet Only)			18.00
-VP	Vandal-Proof Screws			73.00

*Regularly furnished unless otherwise specified.

Items designated as Best Sellers are most specified and are generally in stock for shipment.

Ⓢ This symbol denotes a product that is engineered to reduce installation and rework time.

For additional product information, please visit www.zurn.com

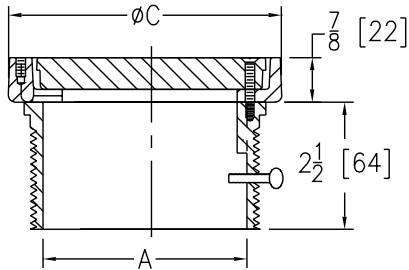
Z1404 HEAVY-DUTY FLOOR ACCESS HOUSING



ENGINEERING SPECIFICATION

Zurn Z1404 floor access housing features Dura-Coated cast iron with round frame and scoriated cast iron heavy-duty secured cover complete with adjusting setscrews.

A Pipe Size/Outlet Type	C inches [mm]	Approximate Weight lb [kg]
Slip Joint (SJ)		
3SJ	6-1/8 [156]	3 [1]
4SJ	7-1/4 [184]	4 [2]
6SJ	9-1/4 [235]	8 [4]



PREFIXES	DESCRIPTION	A PIPE SIZE	LIST PRICE
Z1404*	Dura-Coated Cast Iron	3", 4"	328.00
		6"	435.00
ZN1404	D.C.C.I. with Polished Nickel Bronze Light-Duty Top (Deduct 1/2" [13mm] from 7/8" [22mm] Dim.)	3", 4"	500.00
		6"	637.00
ZS1404	D.C.C.I. with Polished Stainless Steel Heavy-Duty Top (Add 3/16" [5mm] to 7/8" [22mm] Dim.)	3", 4"	POA
		6"	POA
OUTLET (SPECIFY PIPE SIZE IN INCHES AND TYPE OF OUTLET)			
TYPE	DESCRIPTION	PIPE SIZE/OUTLET TYPE	ADD
SJ	Slip Joint	3SJ, 4SJ, 6SJ	N/C
SUFFIXES			
			ADD
-HD	Heavy-Duty Veneer Top (Add 1/8" [3mm] to 2-1/2" [64mm] Dim. for ZN only)		80.00
-VP	Vandal-Proof Screws		73.00

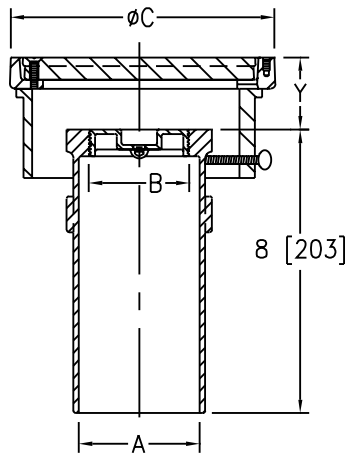
Z1406 HEAVY-DUTY ADJUSTABLE SPIGOT CLEANOUT



ENGINEERING SPECIFICATION

Zurn Z1406 adjustable floor cleanout uses spigot connection for caulking into hub. Features Dura-Coated cast iron body, gas and watertight ABS plug, and cast iron housing with round scoriated secured cast iron heavy-duty cover adjustable to finished floor.

A Pipe Size/ Outlet Type	B N.P.T.	Dimensions in inches [mm]			Approximate Weight lb [kg]
		C	Y		
Spigot (SP)					
			Min.	Max.	
3SP	2	6-1/8 [156]			11 [5]
4SP	3-1/2	7-1/4 [184]	7/8 [22]	2 [51]	15 [7]
6SP	3-1/2	9-1/4 [235]			23 [10]



PREFIXES	DESCRIPTION	A PIPE SIZE	LIST PRICE
Z1406*	Dura-Coated Cast Iron	3"	461.00
		4"	490.00
		6"	775.00
ZN1406	D.C.C.I. with Polished Nickel Bronze Light-Duty Top (Deduct 1/2" [13mm] from 'Y' Dim.)	3"	634.00
		4"	661.00
		6"	978.00
ZS1406	D.C.C.I. with Polished Stainless Steel Heavy-Duty Top (Add 3/16" [5mm] to 'Y' Dim.)	3"	POA
		4"	POA
		6"	POA

OUTLET (SPECIFY PIPE SIZE IN INCHES AND TYPE OF OUTLET)			
TYPE	DESCRIPTION	PIPE SIZE/OUTLET TYPE	ADD
SP	Spigot	3SP, 4SP, 6SP	N/C
SUFFIXES			ADD
-AR	Acid Resisting Epoxy Coated Finish		240.00
-BP	Bronze Plug	3" [76mm], 4" [102mm]	119.00
		6" [152mm]	385.00
-CF	Carpet Flange (ZN only)		223.00
-CM	Carpet Marker		36.00
-DC	Duresist Cover		237.00
-DX	Round Top with Dex-O-Tex Flange (2" [51mm] thru 4" [102mm] sizes only)		370.00
-G	Galvanized Cast Iron		174.00
-HD	Heavy-Duty Veneer Top (Add 1/8" [3mm] to 'Y' Dim. for ZN only)		80.00
-SG	Solid Gasketed Cover		237.00
-SM	Special Marking Stamped on Top		167.00
-T	Square Top		119.00
-TX	Square Top Recessed for 1/8" [3mm] Tile (ZN only)		119.00
-VP	Vandal-Proof Screws		73.00
-X	Round Top Recessed for 1/8" [3mm] Tile (ZN only)		119.00

*Regularly furnished unless otherwise specified.

Items designated as Best Sellers are most specified and are generally in stock for shipment.

⌚ This symbol denotes a product that is engineered to reduce installation and rework time.

For additional product information, please visit www.zurn.com

INTRO
ROOF DRAINS
FLOOR DRAINS
T, P, BW VALVES
INTERCEPTORS
CARRIERS
HYDRANTS
CLEANOUTS
WHA
SS DRAINS
FAB SS DRAINS
SAN-FLOOR
TECH INFO

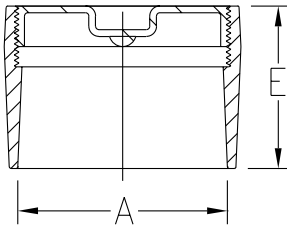
Z1440 CLEANOUT FERRULE WITH PLUG



ENGINEERING SPECIFICATION

Zurn Z1440 cleanout features Dura-Coated cast iron body with gas and watertight ABS tapered thread plug.

A Pipe Size/Outlet Type	E Body Height Dimensions inches [mm]	Approximate Weight lb [kg]
No-Hub (NH)		
2NH	2-1/2 [64]	2 [1]
3NH	2-3/4 [70]	4 [2]
4NH	3 [76]	5 [2]
6NH	3 [76]	8 [4]
8NH	3-1/2 [89]	13 [6]



PREFIXES	DESCRIPTION	A PIPE SIZE	LIST PRICE
Z1440*	D.C.C.I. and ABS Plug	2"	115.00
		3"	115.00
		4"	115.00
		6"	381.00
		8"	709.00

OUTLET (SPECIFY PIPE SIZE IN INCHES AND TYPE OF OUTLET)				
TYPE	DESCRIPTION	PIPE SIZE/OUTLET TYPE	E BODY HT. DIM.	ADD
NH	No-Hub	2NH, 3NH, 4NH, 6NH, 8NH	See Chart	N/C
SUFFIXES				
ADD				
-BP	Bronze Plug		2" [51mm], 3" [76mm], 4" [102mm]	153.00
			6" [152mm], 8" [203mm]	279.00
-G	Galvanized Cast Iron			154.00

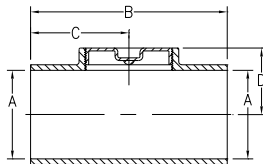
Z1445 CLEANOUT TEE



ENGINEERING SPECIFICATION

Zurn Z1445 cleanout tee features Dura-Coated cast iron body with gas and watertight ABS tapered thread plug.

A Pipe Size/Outlet Type	Dimensions in inches [mm]			Approximate Weight lb [kg]
	B	C	D	
No Hub (NH)				
2NH	6-3/8 [162]	3-3/16 [81]	1-3/4 [44]	8 [4]
3NH	7-3/4 [197]	3-7/8 [98]	2-1/2 [64]	15 [7]
4NH	8-7/8 [225]	4-7/16 [113]	3 [76]	16 [7]
6NH	12-1/2 [317]	6-1/4 [159]	4-5/16 [109]	35 [16]
8NH	17 [432]	8-1/2 [216]	6-3/8 [162]	49 [22]



PREFIXES	DESCRIPTION	A PIPE SIZE	LIST PRICE
Z1445*	Dura-Coated Cast Iron	2"	257.00
		3"	306.00
		4"	462.00
		6"	1,271.00
		8"	1,608.00

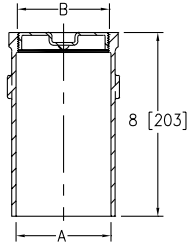
OUTLET (SPECIFY PIPE SIZE IN INCHES AND TYPE OF OUTLET)				
TYPE	DESCRIPTION	PIPE SIZE/OUTLET TYPE	E BODY HT. DIM.	ADD
NH	No-Hub	2NH, 3NH, 4NH, 6NH, 8NH	See Chart	N/C
SUFFIXES				
ADD				
-BP	Bronze Plug		2" [51mm], 3" [76mm], 4" [102mm]	119.00
			6" [152mm], 8" [203mm]	279.00
-G	Galvanized Cast Iron			246.00

Z1449 CLEANOUT FERRULE WITH PLUG



ENGINEERING SPECIFICATION

Zurn Z1449 cleanout ferrule features Dura-Coated cast iron body with gas and watertight ABS countersunk plug.



A Pipe Size/Outlet Type	B N.P.T.	Approximate Weight lb [kg]
Spigot (SP)		
3SP	2	6 [3]
4SP	3-1/2	8 [4]
6SP	3-1/2	13 [6]

PREFIXES	DESCRIPTION	A PIPE SIZE	LIST PRICE
Z1449*	Dura-Coated Cast Iron with ABS Plug	3"	132.00
		4"	163.00
		6"	341.00

OUTLET (SPECIFY PIPE SIZE IN INCHES AND TYPE OF OUTLET)				
TYPE	DESCRIPTION	PIPE SIZE/OUTLET TYPE	E BODY HT. DIM.	ADD
SP	Spigot	3SP, 4SP, 6SP	See Chart	N/C
SUFFIXES				
ADD				
-A	Raised Head Plug			N/C
-BP	Bronze Plug		3" [76mm], 4" [102mm]	119.00
			6" [152mm]	385.00
-G	Galvanized Cast Iron			154.00

Z1454 ADJUSTABLE FLOOR CLEANOUT WITH FLASHING FLANGE



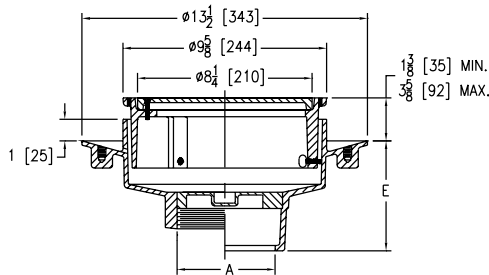
ENGINEERING SPECIFICATION

Zurn Z1454 adjustable floor cleanout features Dura-Coated cast iron body, gas and watertight brass tapered thread plug, and round scoriated Dura-Coated cast iron adjustable top complete with membrane flashing flange.

A Pipe Size/Outlet Type	Approximate Weight lb [kg]
Inside Caulk (IC)	
2IC, 3IC	33 [15]
4IC	34 [15]
Threaded (IP)	
2IP, 3IP	33 [15]
4IP	34 [15]

PREFIXES	DESCRIPTION	A PIPE SIZE	LIST PRICE
Z1454*	Dura-Coated Cast Iron	2", 3"	953.00
		4"	981.00
ZN1454	D.C.C.I. with Polished Nickel Bronze Top (Add 3/16" [5mm] to 1-3/8" [35mm] min. - 3-5/8" [76mm] max. dim.)	2", 3"	1,393.00
		4"	1,424.00

OUTLET (SPECIFY PIPE SIZE IN INCHES AND TYPE OF OUTLET)				
TYPE	DESCRIPTION	PIPE SIZE/OUTLET TYPE	E BODY HT. DIM.	ADD
IC	Inside Caulk	2IC, 3IC, 4IC	5-1/4"	N/C
IP	Threaded	2IP, 3IP, 4IP	4-1/4"	N/C
SUFFIXES				
ADD				
-C	Clamp Collar			N/C
-G	Galvanized Cast Iron			336.00
-TS	Top Secured with Slotted Screws			101.00
-VP	Vandal-Proof Secured Top			117.00



*Regularly furnished unless otherwise specified.

Items designated as Best Sellers are most specified and are generally in stock for shipment.

⌚ This symbol denotes a product that is engineered to reduce installation and rework time.

For additional product information, please visit www.zurn.com

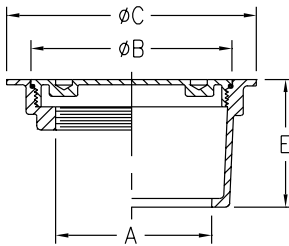
Z1456 DECK CLEANOUT



ENGINEERING SPECIFICATION

Zurn ZANB1456 deck cleanout features nickel bronze body with scoriated deck plug and O-ring seal.

A Pipe Size/ Outlet Type	Dimensions in inches [mm]		Approximate Weight lb [kg]
	B	C	
Inside Caulk (IC)			
3IC	5 [127]	6 [152]	4 [2]
4IC	6 [152]	7-3/8 [187]	6 [3]
6IC	8 [203]	9-3/8 [238]	12 [5]
Threaded (IP)			
3IP	3-1/2 [89]	4-7/8 [124]	4 [2]
4IP	4-1/2 [114]	6 [152]	6 [3]
6IP	7-7/8 [200]	9-3/8 [238]	12 [5]
8IP	9-7/8 [251]	11 [279]	16 [7]



PREFIXES	DESCRIPTION	A PIPE SIZE	LIST PRICE
ZANB1456*	Nickel Bronze with Polished Scoriated Top	3"	556.00
		4"	618.00
		6"	1,020.00
		8"	2,075.00

OUTLET (SPECIFY PIPE SIZE IN INCHES AND TYPE OF OUTLET.)				
TYPE	DESCRIPTION	PIPE SIZE/OUTLET TYPE	E BODY HT. DIM.	ADD
IC	Inside Caulk	3IC, 4IC	3-1/4"	N/C
		6IC	3-1/2"	N/C
IP	Threaded	3IP, 4IP	1-1/2"	N/C
		6IP	1-5/8"	N/C
		8IP	2"	N/C
SUFFIXES				ADD
-SW	Extra Spanner Wrench			102.00

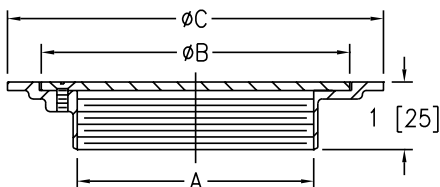
Z1457 FLOOR ACCESS COVER



ENGINEERING SPECIFICATION

Zurn ZANB1457 floor access cover features nickel bronze body with round, scoriated secured cover.

A Pipe Size/ Outlet Type	Dimensions in inches [mm]		Approximate Weight lb [kg]
	B	C	
Threaded (IP)			
2IP	4-1/2 [114]	5-1/2 [140]	4 [2]
3IP	4-1/2 [114]	5-1/2 [140]	4 [2]
4IP	5-3/4 [146]	6-3/4 [171]	5 [2]
5IP	7 [178]	8 [203]	6 [3]
6IP	8-1/4 [210]	9-1/2 [241]	8 [4]
8IP	10-1/4 [260]	11-1/2 [292]	12 [5]



PREFIXES	DESCRIPTION	A PIPE SIZE	LIST PRICE
ZANB1457*	Nickel Bronze with Polished Scoriated Cover	2"	390.00
		3"	549.00
		4"	618.00
		5"	875.00
		6"	908.00
		8"	1,295.00

ZAB1457	Bronze with Polished Scoriated Cover	2"	371.00
		3"	520.00
		4"	592.00
		5"	845.00
		6"	864.00
		8"	1,232.00

OUTLET (SPECIFY PIPE SIZE IN INCHES AND TYPE OF OUTLET.)				
TYPE	DESCRIPTION	PIPE SIZE/OUTLET TYPE	E BODY HT. DIM.	ADD
IP	Threaded	2IP, 3IP, 4IP, 5IP, 6IP, 8IP	See Chart	N/C
SUFFIXES				ADD
-VP	Vandal-Proof Screws			86.00

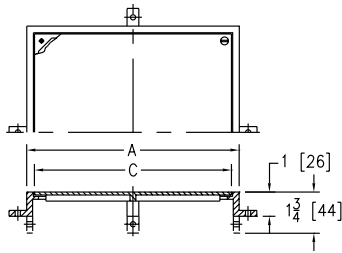
Z1460 SQUARE WALL ACCESS PANEL



ENGINEERING SPECIFICATION

Zurn ZANB1460 square wall access panel and frame features smooth, stainless steel panel secured to nickel bronze frame, set flush to finished wall plane, and securing lugs.

Product Designation	Dimensions in inches [mm]		Approximate Weight lb [kg]
	A Frame Size	C Opening Size	
-7	7 x 7 [178]	6 x 6 [152]	3 [1]
-9	9 x 9 [229]	8 x 8 [203]	5 [2]
-10	10 x 10 [254]	9 x 9 [229]	7 [3]
-11	11 x 11 [279]	10 x 10 [254]	10 [5]



PREFIXES	DESCRIPTION	PRODUCT DESIG.	A FRAME SIZE	LIST PRICE
ZANB1460*	Nickel Bronze with Polished Scoriated Cover	-7	7" x 7"	330.00
		-9	9" x 9"	435.00
		-10	10" x 10"	459.00
		-11	11" x 11"	530.00
ZAB1460	Bronze with Polished Scoriated Cover	-7	7" x 7"	301.00
		-9	9" x 9"	391.00
		-10	10" x 10"	423.00
		-11	11" x 11"	457.00
SUFFIXES				ADD
-SC	Scoriated Cover			N/C
-VP	Vandal-Proof Screws			73.00

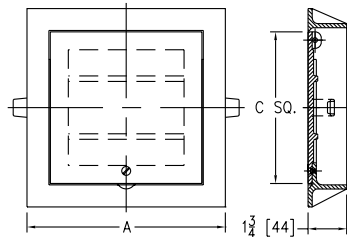
Z1461 SQUARE HINGED ACCESS PANEL



ENGINEERING SPECIFICATION

Zurn Z1461 square hinged access panel features Dura-Coated cast iron, secured access panel, and frame with anchor lugs. Set flush with wall or floor for light-duty applications.

Product Designation	Dimensions in inches [mm]		Approximate Weight lb [kg]
	A Frame Size	C	
-8	8 x 8 [203]	6 [152]	5 [2]
-10	10 x 10 [254]	7 [178]	7 [3]
-12	12 x 12 [305]	10 [254]	11 [5]
-14	14 x 14 [356]	12-1/2 [317]	15 [7]



PREFIXES	DESCRIPTION	PRODUCT DESIG.	A FRAME SIZE	LIST PRICE
Z1461*	Dura-Coated Cast Iron with Scoriated Cover	-12	12" x 12"	341.00
ZAB1461	Bronze with Polished Scoriated Cover	-8	8" x 8"	357.00
		-10	10" x 10"	651.00
		-12	12" x 12"	833.00
ZANB1461	Nickel Bronze with Polished Scoriated Cover	-10	10" x 10"	687.00
		-12	12" x 12"	876.00
		-14	14" x 14"	1,479.00
SUFFIXES				ADD
-VP	Vandal-Proof Screws			38.00

*Regularly furnished unless otherwise specified.

Items designated as Best Sellers are most specified and are generally in stock for shipment.

⌚ This symbol denotes a product that is engineered to reduce installation and rework time.

For additional product information, please visit www.zurn.com

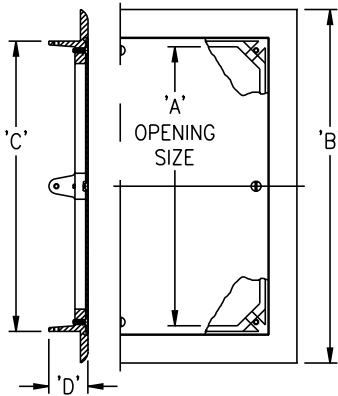
Z1462 SECURED WALL ACCESS PANEL



ENGINEERING SPECIFICATION

Zurn ZANB1462 secured wall access panel features square, smooth nickel bronze panel, frame with beveled edge, and anchor lugs for over wall installation.

Product Designation	Dimensions in inches [mm]				Approximate Weight lb [kg]
	A Square	B Square	C Square	D	
-6	5-15/16 [151]	7-1/2 [191]	6-1/2 [165]	1-1/4 [32]	3 [1]
-8	7-1/4 [184]	9-3/4 [248]	7-5/8 [194]	1-5/16 [33]	5 [2]
-10	9-3/8 [238]	11-7/8 [302]	9-3/4 [248]	1-5/16 [33]	7 [3]
-12	11-3/8 [289]	13-7/8 [352]	11-3/4 [298]	1-5/16 [33]	11 [5]



PREFIXES	DESCRIPTION	PRODUCT DESIG.	LIST PRICE
ZANB1462*	Nickel Bronze with Polished Cover	-6	725.00
		-8	768.00
		-10	966.00
		-12	1,043.00
SUFFIXES			ADD
-VP	Vandal-Proof Screws		38.00

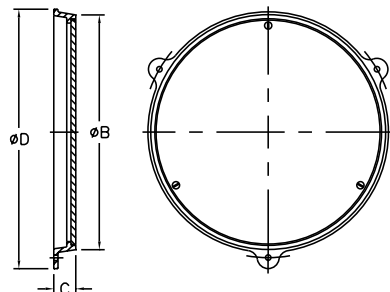
Z1463 ROUND SCORIATED ACCESS COVER



ENGINEERING SPECIFICATION

Zurn ZANB1463 features access panel and frame, round, scoriated, nickel bronze panel secured to frame, set flush to finished wall plane or floor, and anchor lugs.

Product Designation	Dimensions in inches [mm]				Approximate Weight lb [kg]
	Nominal Pipe Size	B	C	D	
-7	2 [51], 3 [76], 4 [102]	6-5/8 [168]	3/4 [19]	7-1/2 [191]	6 [3]
-11	5 [127], 6 [152], 8 [203]	10-3/4 [273]	1 [25]	11-7/8 [302]	12 [5]



PREFIXES	DESCRIPTION	A PIPE SIZE	LIST PRICE
ZANB1463*	Nickel Bronze with Polished Scoriated Cover	2", 3", 4"	240.00
		5", 6", 8"	643.00
ZAB1463	Bronze with Polished Scoriated Cover	2", 3", 4"	228.00
		5", 6", 8"	608.00
SUFFIXES			ADD
-VP	Vandal-Proof Screws		38.00

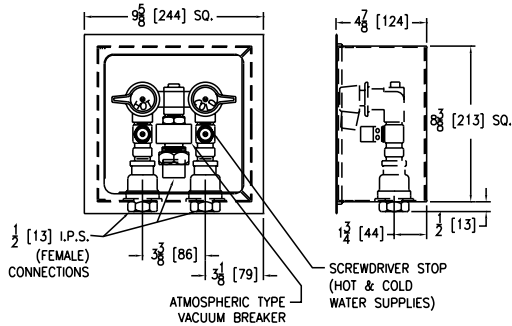
Z1464 WATER SUPPLY CONTROL BOX ASSEMBLY



ENGINEERING SPECIFICATION

Zurn ZS1464 water supply control box assembly features 18-8 Type 304 stainless steel, cylinder lock and hinged cover, bronze control valves, screwdriver stops, and atmospheric type vacuum breaker.

A Opening Size inches [mm]	Approximate Weight lb [kg]
8-1/2 [216] x 8-1/2 [216]	17 [8]



PREFIXES	DESCRIPTION	A OPENING SIZE	LIST PRICE
ZS1464*	Type 304 Stainless Steel	8-1/2" x 8-1/2"	2,640.00
SUFFIXES			DEDUCT
-LM	Less Internal Mixing Valve Assembly		-709.00

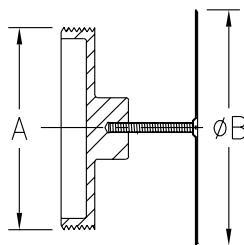
Z1468 ACCESS COVER AND PLUG



ENGINEERING SPECIFICATION

Zurn ZS1468 round stainless steel wall access cover comes complete with securing screw and bronze raised hex head plug.

Product Designation	Dimensions in inches [mm]		Approximate Weight lb [kg]
	A Pipe Size	C	
-1.25	1-1/4 [32]	4 [102]	4 [2]
-1.5	1-1/2 [38]		
-2	2 [51]		
-2.5	2-1/2 [64]	5 [127]	5 [2]
-3	3 [76]		
-3.5	3-1/2 [89]		
-4	4 [102]	7 [178]	8 [4]
-5	5 [127]		
-6	6 [152]		
-8	8 [203]	11 [279]	25 [11]



PREFIXES	DESCRIPTION	A PIPE SIZE	LIST PRICE
ZS1468*	Bronze with Stainless Steel Cover	1-1/4", 1-1/2"	117.00
		2"	129.00
		2-1/2"	139.00
		3"	219.00
		3-1/2"	219.00
		4"	254.00
		5"	525.00
		6"	553.00
		8"	685.00
ZAB1468	Bronze Plug with Polished Bronze Cover	1-1/4", 1-1/2"	102.00
		2"	112.00
		2-1/2"	124.00
		3"	194.00
		3-1/2"	194.00
		4"	223.00
		5"	425.00
		6"	483.00
		8"	670.00
SUFFIXES			ADD
-SL	Screws Longer Than 3-1/2" [89mm] (Per Inch)		12.00
-VP	Vandal-Proof Screw		66.00

*Regularly furnished unless otherwise specified.

Items designated as Best Sellers are most specified and are generally in stock for shipment.

⌚ This symbol denotes a product that is engineered to reduce installation and rework time.

For additional product information, please visit www.zurn.com

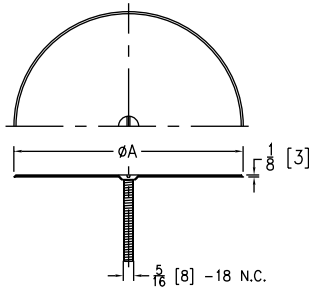
Z1469 ROUND ACCESS COVER



ENGINEERING SPECIFICATION

Zurn ZS1469 round stainless steel access cover comes complete with securing screw.

Product Designation	Dimensions in inches [mm]		Approximate Weight lb [kg]
	A Cover Diameter	Nominal Pipe Size	
-4	4 [102]	2 [51], 3 [76], 3-1/2 [89]	1 [0.5]
-5	5 [127]	2 [51], 3 [76], 3-1/2 [89]	1 [0.5]
-7	7 [178]	4 [102], 5 [127]	2 [1]
-9	9 [229]	6 [152]	3 [1]
-11	11 [279]	8 [203]	4 [2]



PREFIXES	DESCRIPTION	A PIPE SIZE	LIST PRICE
ZS1469*	Type 304 Stainless Steel Polished Cover	2", 3", 3-1/2"	77.00
		4", 5"	107.00
		6"	217.00
		8"	320.00
ZAB1469	Bronze Polished Cover	2", 3", 3-1/2"	73.00
		4", 5"	102.00
		6"	206.00
		8"	305.00
SUFFIXES			ADD
-SL	Screws Longer Than 3-1/2" [89mm] (Per Inch)		12.00
-VP	Vandal-Proof Screw		66.00

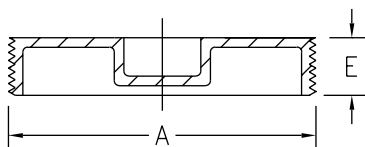
Z1470 BRONZE CLEANOUT PLUG



ENGINEERING SPECIFICATION

Zurn ZARB1470 bronze cleanout plug is a countersunk, ABS tapered thread plug.

Product Designation	Dimensions in inches [mm]		Approximate Weight lb [kg]
	A Pipe Size	E Body Height Dimensions	
-1.25	1-1/4 [32]	9/16 [14]	.5 [0.23]
-1.5	1-1/2 [38]	5/8 [16]	.5 [0.23]
-2	2 [51]	1/2 [13]	.75 [0.34]
-2.5	2-1/2 [64]	3/4 [19]	.75 [0.34]
-3	3 [76]	3/4 [19]	1 [0.5]
-3.5	3-1/2 [89]	3/4 [19]	1 [0.5]
-4	4 [102]	3/4 [19]	1.5 [0.6]
-5	5 [127]	3/4 [19]	1.5 [0.6]
-6	6 [152]	3/4 [19]	3 [1]
-8	8 [203]	3/4 [19]	7 [3]



PREFIXES	DESCRIPTION	A PIPE SIZE	LIST PRICE
ZARB1470*	Plain Bronze	1-1/4", 1-1/2"	37.00
		2"	49.00
		2-1/2"	61.00
		3"	144.00
		3-1/2"	144.00
		4"	144.00
		5"	275.00
		6"	333.00
8"	366.00		
SUFFIXES			ADD
-A	Raised Head		N/C
-PW	Plug Wrench		61.00

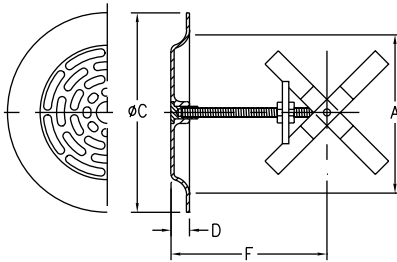
Z1471 AIR INLET



ENGINEERING SPECIFICATION

Zurn ZANB1471 fresh air inlet features round nickel bronze, crowned and perforated, complete with 4-point contact locking device.

Product Designation	Dimensions in inches [mm]				Open Area sq in [cm ²]	Approximate Weight lb [kg]
	A Pipe Size	C	D	F		
-3	3 [76]	8 [203]	3/4 [19]	6-1/4 [159]	9 [58]	3 [1]
-4	4 [102]					
-5	5 [127]	12 [305]	3/4 [19]	6-1/4 [159]	28 [181]	7 [3]
-6	6 [152]					
-8	8 [203]	15 [381]	3/4 [19]	6-1/4 [159]	55 [355]	9 [4]
-10	10 [254]					



PREFIXES	DESCRIPTION	PRODUCT DESIGNATION	A PIPE SIZE	LIST PRICE
ZANB1471*	Nickel Bronze with Polished Cover	-3	3"	469.00
		-4	4"	469.00
		-5	5"	793.00
		-6	6"	793.00
		-8	8"	1,266.00
		-10	10"	1,266.00
ZAB1471	Bronze with Polished Cover	-3	3"	444.00
		-4	4"	444.00
		-5	5"	753.00
		-6	6"	753.00
		-8	8"	1,203.00
		-10	10"	1,203.00
SUFFIXES				ADD
-CP	Chrome Plated			242.00

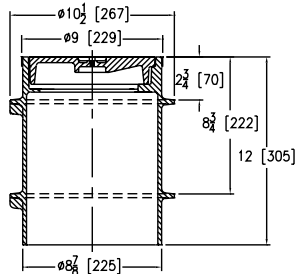
Z1474 HEAVY-DUTY CLEANOUT HOUSING



ENGINEERING SPECIFICATION

Zurn Z1474 heavy-duty cleanout housing features Dura-Coated cast iron body, integral anchor flange, and secured scoriated cover with lifting device.

A Pipe Size inches [mm]	Approximate Weight lb [kg]
8-3/8 [213]	40 [18]



PREFIXES	DESCRIPTION	A PIPE SIZE	LIST PRICE
Z1474*	Dura-Coated Cast Iron	8-3/8"	871.00
ZN1474	D.C.C.I. with Polished Nickel Bronze Top	8-3/8"	1,545.00
SUFFIXES			ADD
-DC	Duresist Cover		414.00
-G	Galvanized Cast Iron		406.00
-N	With Internal Cleanout (See Z1440)	4" [102mm]	115.00
		6" [152mm]	381.00
-SG	Solid Gasketed Cover		256.00
-VP	Vandal-Proof Screw		38.00

*Regularly furnished unless otherwise specified.

Items designated as Best Sellers are most specified and are generally in stock for shipment.

⌚ This symbol denotes a product that is engineered to reduce installation and rework time.

For additional product information, please visit www.zurn.com

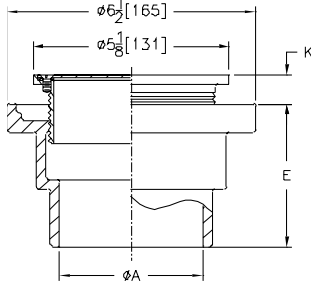
Z1602 ADJUSTABLE ROUND MEDIUM-DUTY NICKEL BRONZE CLEANOUT



ENGINEERING SPECIFICATION

Zurn ZN1602 Adjustable Floor Cleanout features a Dura-Coated cast iron body, polished nickel bronze adjustable head and gasketed, secured scoriated cover.

A Pipe Size inches [mm]	E Body Height Dimensions [mm]	Approximate Weight lb [kg]
2 - 3 - 4 [51 - 76 - 102]	3-3/4 [95]	6 [3]



PREFIXES	DESCRIPTION	A PIPE SIZE	LIST PRICE
ZN1602*	Polished Nickel Bronze Top	2", 3", 4"	277.00
SUFFIXES			ADD
-CM	Carpet Marker		N/C
-GB	Galvanized Body Only		75.00
-SP	Seal Plug		33.00
-T	Square Top		48.00
-TX	Square Top Recessed for 1/8" [3mm] Tile		48.00
-VP	Vandal-Proof Screws		30.00
-X	Round Top Recessed for 1/8" [3mm] Tile		N/C
-1600	Wide Flange Body		29.00

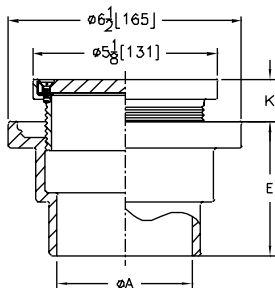
Z1612 ADJUSTABLE ROUND HEAVY-DUTY NICKEL BRONZE CLEANOUT



ENGINEERING SPECIFICATION

Zurn ZXN-1612 Adjustable Floor Cleanout features a Dura-Coated cast iron body, polished nickel bronze adjustable head and gasketed, secured, scoriated heavy-duty cover.

A Pipe Size inches [mm]	E Body Height Dimensions [mm]	Approximate Weight lb [kg]
2 - 3 - 4 [51-76-102]	3-3/4 [95]	8 [4]



PREFIXES	DESCRIPTION	A PIPE SIZE	LIST PRICE
ZX1612	Heavy Duty Cast Iron Top	2", 3", 4"	234.00
ZXN1612	Heavy Duty Nickel Bronze Top	2", 3", 4"	346.00
SUFFIXES			ADD
-CM	Carpet Marker		N/C
-G	Galvanized Complete (ZX Only)		128.00
-GB	Galvanized Body Only		75.00
-GG	Galvanized Top Assembly (ZX Only)		53.00
-SP	Seal Plug		33.00
-VP	Vandal-Proof Screws		30.00
-1600	Wide Flange Body		29.00

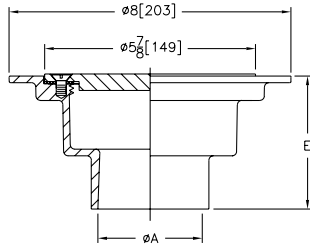
Z1615 CAST IRON LINE OR FLOOR CLEANOUT - NON-ADJUSTABLE



ENGINEERING SPECIFICATION

Zurn Z1615 wide flange Floor or Line Cleanout features a Dura-Coated cast iron body with secured, scoriated, and gasketed cover.

A Pipe Size inches [mm]	E Body Height Dimensions [mm]	Approximate Weight lb [kg]
2 - 3 - 4 [51-76-102]	3-3/4 [95]	8 [4]



PREFIXES	DESCRIPTION	A PIPE SIZE	LIST PRICE
Z1615	Cast Iron*	2", 3", 4"	126.00
SUFFIXES			ADD
-G	Galvanized Complete		89.00
-VP	Vandal-Proof Screws		30.00

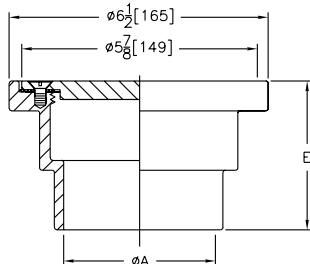
Z1616 CAST IRON LINE OR FLOOR CLEANOUT - NON-ADJUSTABLE



ENGINEERING SPECIFICATION

Zurn Z1616 Floor or Line Cleanout featuring a Dura-Coated cast iron body with secured, scoriated, and gasketed cover.

A Pipe Size inches [mm]	E Body Height Dimensions [mm]	Approximate Weight lb [kg]
2 - 3 - 4 [51-76-102]	3-3/4 [95]	6 [3]



PREFIXES	DESCRIPTION	A PIPE SIZE	LIST PRICE
Z1616	Cast Iron*	2", 3", 4"	126.00
SUFFIXES			ADD
-G	Galvanized Complete		89.00
-VP	Vandal-Proof Screws		30.00

*Regularly furnished unless otherwise specified.

Items designated as Best Sellers are most specified and are generally in stock for shipment.

⌚ This symbol denotes a product that is engineered to reduce installation and rework time.

For additional product information, please visit www.zurn.com

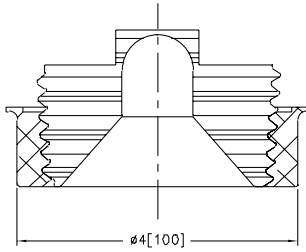
Z1666 SEAL OR TEST PLUG



ENGINEERING SPECIFICATION

Zurn Z1666 Seal or Test Plug

A Pipe Size inches [mm]	Approximate Weight lb [kg]
1-1/2 - 2 - 3 - 4 [38-51-76-102]	6 [3]



PREFIXES	DESCRIPTION	A PIPE SIZE	LIST PRICE
Z1666		1-1/2", 2", 3", 4"	77.00
SUFFIXES			ADD
-CH	Centre Hole for Screw		38.00

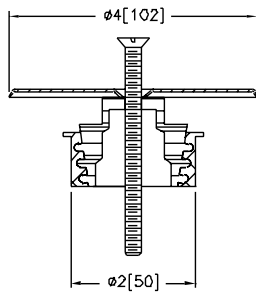
Z1666-1 URINAL CLEANOUT



ENGINEERING SPECIFICATION

Zurn Z1666-1 Urinal Cleanout with 4" [102mm] diameter stainless steel access cover and centre securing screw.

A Pipe Size inches [mm]	Approximate Weight lb [kg]
1-1/2 - 2 [38-51]	6 [3]



PREFIXES	DESCRIPTION	A PIPE SIZE	LIST PRICE
Z1666-1		1-1/2", 2", 3", 4"	104.00
SUFFIXES			ADD
-VP	Centre Hole for Screw		38.00
-5			67.00
-7			81.00
-9			137.00

WATER HAMMER ARRESTORS

Z1700 SHOKTROLS

320

Z1712 ACCUMUTROL

320

Z1700 SHOKTROLS

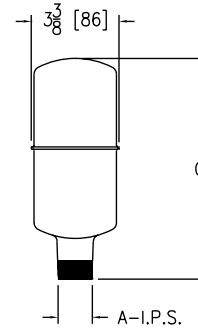


ENGINEERING SPECIFICATION

Where required in piping systems, properly sized water hammer arrestors require Zurn Z1700 (specify size). Features nesting type bellows contained within a casing having sufficient displacement volume to dissipate the calculated kinetic energy generated in the piping system. Both casing and bellows are constructed of Type 304 stainless steel.

NOTE:

All sizes of Zurn Z1700 Shoktrol water hammer arrestors comply with the following specifications:
PDI WH-201
ANSI A112.26.1M
ASSE 1010



Size	Dimensions in inches [mm]		Approximate Weight lb [kg]	Fixture Unit Capacity
	A	C		
100	3/4 [19]	3-1/2 [89]	1 [0.5]	1-11
200			1-1/2 [0.68]	12-32
300	1 [25]	4-1/2 [114]	1-3/4 [0.79]	33-60
400			2-3/4 [1.25]	61-113
500			3-1/4 [1.5]	114-154
600			3-3/4 [1.7]	155-330

PREFIXES	DESCRIPTION	SIZE	LIST PRICE
Z*	Zurn Shoktrol Water Hammer Arrestors are regularly furnished in all stainless steel construction. Pipe threads are accurately machined to assure tight connection. 3/4" [19mm] male I.P.S. inlet is standard for sizes 100 and 200, while 1" [25mm] male I.P.S. inlet is standard for sizes 300 thru 600.	100	306.00
		200	435.00
		300	746.00
		400	1,384.00
		500	1,776.00
		600	2,263.00

Z1712 ACCUMUTROL

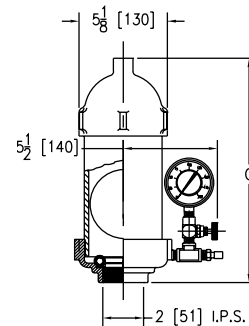


ENGINEERING SPECIFICATION

Shock associated with solenoid or other quick-closing valves serving heavy equipment, such as laundry machines, dishwashers, etc., shall be controlled by installation of Zurn Z1712 Accumutrol. Comes complete with floating stainless steel spherical piston, surge chamber, valve and gauge assembly. Specify size and location.

NOTE:

Maximum temperature 500°F. Maximum pressure 200 PSI residual.



Size	C inches [mm]	Approximate Weight lb [kg]
2000	13 [330]	20 [9]
4000	21 [533]	28 [13]
6000	29 [737]	36 [16]
8000	37 [940]	44 [20]
10000	45 [1143]	52 [24]
12000	53 [1346]	60 [27]
14000	61 [1549]	68 [31]
16000	69 [1753]	76 [34]

PREFIXES	DESCRIPTION	SIZE	LIST PRICE
Z*	Bronze surge chamber, Viton valve seat and stainless steel spherical piston.	2000	6,224.00
		4000	7,208.00
		6000	8,265.00
		8000	10,062.00
		10000	11,605.00
		12000	13,151.00
		14000	19,665.00
		16000	21,709.00

STAINLESS STEEL DRAINS

STAINLESS STEEL DRAINS – APPLICATION INDEX	322
STAINLESS STEEL DRAINS – BUTT-WELD ENGINEERING DATA	322
Z1715 15" [381 MM] DIAMETER ROOF DRAIN	323
Z1717 SCUPPER DRAIN	323
Z1720 4" X 8" [102 MM X 203 MM] OPEN SIGHT DRIP DRAIN	324
Z1721 6" X 12" [152 MM X 305 MM] OPEN SIGHT DRIP DRAIN	324
Z1724 ROUND FUNNEL	325
Z1725 OVAL FUNNEL	325
Z1726 ADJUSTABLE MEDIUM DUTY FLOOR DRAIN WITH ROUND TOP	326
Z1727 ADJUSTABLE MEDIUM DUTY FLOOR DRAIN WITH SQUARE TOP	327
Z1730 9" [229 MM] DIAMETER HEAVY-DUTY SHALLOW TYPE FLOOR DRAIN	328
Z1731 9" [229 MM] DIAMETER HEAVY-DUTY MEDIUM DEPTH FLOOR DRAIN	328
Z1732 9-5/8" [244 MM] DIAMETER HEAVY-DUTY ADJUSTABLE FLOOR DRAIN	329
Z1735 12" [305 MM] DIAMETER HEAVY-DUTY FLOOR DRAIN	329
Z1736 12" [305 MM] DIAMETER EXTRA HEAVY-DUTY FLOOR DRAIN	330
Z1737 15" [381 MM] DIAMETER EXTRA HEAVY-DUTY FLOOR DRAIN	330
Z1739 PIT DRAIN	331
Z1740 BACKWATER VALVE	331
Z1745 FLOOR CLEANOUT WITH O-RING SEAL PLUG	332
Z1749 12" X 12" [305 MM X 305 MM] SANI-FLOOR RECEPTOR WITH 4" [102 MM] SUMP DEPTH	333
Z1750 12" X 12" [305 MM X 305 MM] SANI-FLOOR RECEPTOR WITH 6" [152 MM] SUMP DEPTH	334
Z1751 12" X 12" [305 MM X 305 MM] SANI-FLOOR RECEPTOR WITH 8" [203 MM] SUMP DEPTH	335
Z1752 12" X 12" [305 MM X 305 MM] SANI-FLOOR RECEPTOR WITH 10" [254 MM] SUMP DEPTH	336
Z1755 13-3/8" [340 MM] SQUARE SANI-FLOOR RECEPTOR 6" [152 MM] SUMP WITH ADJUSTABLE CLAMP FRAME	337
Z1761 24-5/16" [618 MM] SQUARE KETTLE DRAIN WITH 8" [203 MM] SUMP DEPTH	337
Z1762 28" X 15-1/2" [711 MM X 394 MM] KETTLE DRAIN	338
Z1763 40-7/16" X 25-3/4" [1027 MM X 654 MM] KETTLE DRAIN	339

STAINLESS STEEL DRAINS – APPLICATION INDEX

Product selection should be made with a specific application and the type of construction in mind. The varied types and sizes of Zurn drainage products, together with their options, offer a drain selection for all applications.

APPLICATION	RECOMMENDED DRAINAGE PRODUCT
Main Roof Drain	Z1715
Wall or Scupper Drain	Z1717
Food Service Floor Drain	Z1749, Z1750, Z1751, Z1752, Z1761, Z1762, Z1763
Indirect Waste Floor Receptor	Z1720, Z1721, Z1750-1, Z1751-1, Z1752-1
Heavy-Duty Floor Drain	Z1730, Z1731, Z1732, Z1735, Z1737
Adjustable Floor Drain	Z1726, Z1727, Z1732
Extra-Heavy-Duty Floor Drain	Z1736, Z1737
Wall of Pitt Drain	Z1739
Backwater Valve	Z1740
Sanitary Floor Cleanout	Z1745
Pool Deck Drain	Z1723

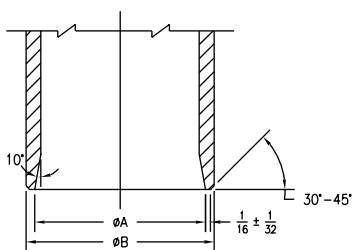
STAINLESS STEEL DRAINS – BUTT-WELD ENGINEERING DATA

Butt-Welding Casting Outlets

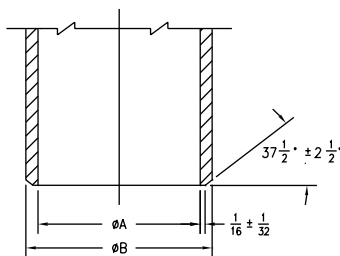
The outlet sections of all cast carbon steel or cast stainless steel products as specified from this brochure shall conform to ANSI-B36.10M-85 and ANSI-B36.19M-85 standards for pipe wall thicknesses for Schedule 10, Schedule 40, or Schedule 80 as specified.

Butt-welding ends of the above mentioned sections shall conform to ANSI B16.25-86 standard for plain welding bevel of $37\frac{1}{2}^\circ + 2\frac{1}{2}^\circ$ and root face (land) of $\frac{1}{16}'' + \frac{1}{32}''$.

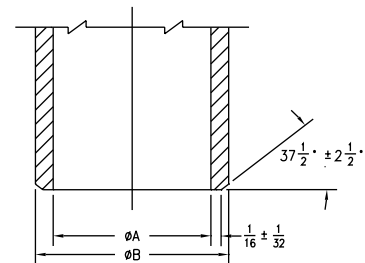
All outlet requirements must be specified and made known to the manufacturer prior to quotation of prices of products applicable to the project.



Schedule 10S Pipe



Schedule 40 Pipe



Schedule 80 Pipe

Schedule Pipe	Dimensions in Inches [mm]									
	Pipe Size									
	2 [51]		3 [76]		4 [102]		6 [152]		8 [203]	
	A	B	A	B	A	B	A	B	A	B
10S	2.157	2.375	3.260	3.500	4.260	4.500	6.375	6.625	8.329	8.625
40	2.067	2.375	3.068	3.500	4.026	4.500	6.065	6.625	7.981	8.625
80	1.939	2.375	2.900	3.500	3.826	4.500	5.761	6.625	7.625	8.625

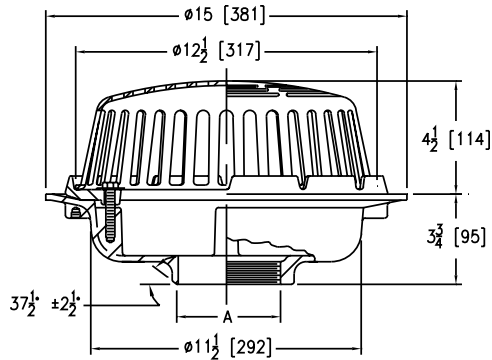
Z1715 15" [381 MM] DIAMETER ROOF DRAIN



ENGINEERING SPECIFICATION

Zurn Z1715 roof drain features Type 304 (CF8) stainless steel body, galvanized cast iron combination gravel guard/flashing clamp, and dome strainer.

Dimensions in inches [mm]		Approximate Weight lb [kg]	Dome Open Area sq in [cm ²]
A Pipe Size			
Butt-Weld (BW) - Specify Schedule 10 or 40			
3BW, 4BW		52 [24]	112 [723]
6BW		54 [24]	
Threaded (IP)			
3IP, 4IP		52 [24]	112 [723]



PREFIXES	DESCRIPTION	A PIPE SIZE	LIST PRICE
Z1715*	Type 304 (CF8) Stainless Steel Body	3", 4"	POA
		6"	POA
ZM1715	Type 316 (CF8M) Stainless Steel Body	3", 4"	POA
		6"	POA

OUTLETS (SPECIFY PIPE SIZE IN INCHES AND TYPE OF OUTLET)			
OUTLET TYPE		PIPE SIZE/OUTLET TYPE	ADD
BW	Butt-weld (Specify Schedule 10 or 40)	3BW, 4BW, 6BW	POA
IP	Threaded	3IP, 4IP	POA

SUFFIXES			
			ADD
-C	Galvanized Underdeck Clamp		POA
-DP	Top-Set® Roof Deck Plate (Replaces both the -C and -R)		POA
-E	Galvanized Extension (Specify height from 1" [25mm] to 4" [102mm])		POA
-R	Galvanized Steel Sump Receiver		POA
-VP	Vandal-Proof Secured Top		POA

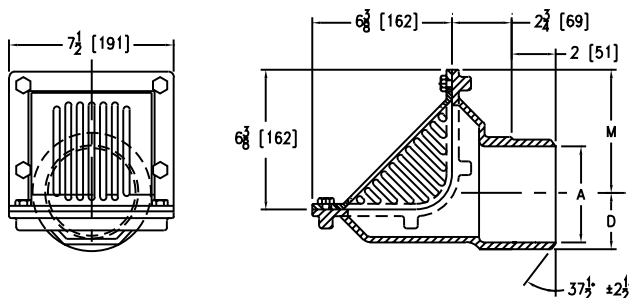
Z1717 SCUPPER DRAIN



ENGINEERING SPECIFICATION

Zurn Z1717 scupper drain features Type 304 (CF8) stainless steel body, cast aluminum oblique grate, and clamp collar.

Dimensions in inches [mm]			Approximate Weight lb [kg]	Grate Open Area sq in [cm ²]
A Pipe Size	D	M		
Butt-weld (BW) - Specify Schedule 10 or 40				
3BW	2 [51]	6-1/8 [156]	24 [11]	20 [129]
4BW	2-1/2 [64]	5-5/8 [143]		



PREFIXES	DESCRIPTION	A PIPE SIZE	LIST PRICE
Z1717*	Type 304 (CF8) Stainless Steel Body	3", 4"	POA
ZM1717	Type 316 (CF8M) Stainless Steel Body	3", 4"	POA

OUTLETS (SPECIFY PIPE SIZE IN INCHES AND TYPE OF OUTLET)			
OUTLET TYPE		PIPE SIZE/OUTLET TYPE	ADD
BW	Butt-weld (Specify Schedule 10 or 40)	3BW, 4BW	POA

SUFFIXES			
			ADD
-VP	Vandal-Proof Secured Top		POA

*Regularly furnished unless otherwise specified.

⌚ This symbol denotes a product that is engineered to reduce installation and rework time.

For additional product information, please visit www.zurn.com

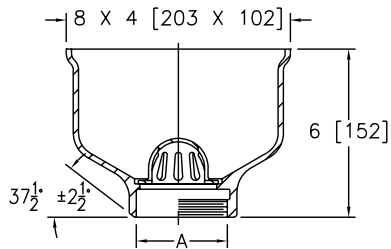
Z1720 4" X 8" [102 MM X 203 MM] OPEN SIGHT DRIP DRAIN



ENGINEERING SPECIFICATION

Zurn Z1720 4" x 8" [102mm x 203mm] open sight drip drain features Type 304 (CF8) stainless steel body and integral aluminum bottom dome strainer, all with plain finish.

Dimensions in inches [mm]		Approximate Weight lb [kg]
A Pipe Size		
Butt-Weld (BW) - Specify Schedule 10 or 40		
2BW, 3BW		13 [6]
Threaded (IP)		
2IP, 3IP		13 [6]



PREFIXES	DESCRIPTION	A PIPE SIZE	LIST PRICE
Z1720*	Type 304 (CF8) Stainless Steel Body	2", 3"	POA
ZM1720	Type 316 (CF8M) Stainless Steel Body	2", 3"	POA
OUTLETS (SPECIFY PIPE SIZE IN INCHES AND TYPE OF OUTLET)			
OUTLET TYPE		PIPE SIZE/OUTLET TYPE	ADD
BW	Butt-weld (Specify Schedule 10 or 40)	2BW, 3BW	POA
IP	Threaded	2IP, 3IP	POA
SUFFIXES			
			ADD
-DB	Stainless Steel Dome Bottom Strainer		POA
-FG	Flush Gate		POA

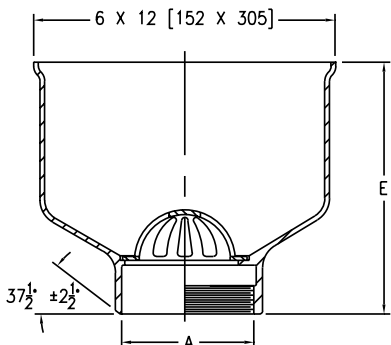
Z1721 6" X 12" [152 MM X 305 MM] OPEN SIGHT DRIP DRAIN



ENGINEERING SPECIFICATION

Zurn Z1721 6" x 12" [152mm x 305mm] open sight drip drain features Type 304 (CF8) stainless steel body and integral aluminum bottom dome strainer, all with plain finish.

Dimensions in inches [mm]		Approximate Weight lb [kg]
A Pipe Size	E Body Height Dimensions	
Butt-Weld (BW) - Specify Schedule 10 or 40		
3BW, 4BW, 6BW	10 [254]	30 [14]
Threaded (IP)		
3IP, 4IP, 6IP	10 [254]	30 [14]



PREFIXES	DESCRIPTION	A PIPE SIZE	LIST PRICE	
Z1721*	Type 304 (CF8) Stainless Steel Body	3", 4", 6"	POA	
ZM1721	Type 316 (CF8M) Stainless Steel Body	3", 4", 6"	POA	
OUTLETS (SPECIFY PIPE SIZE IN INCHES AND TYPE OF OUTLET)				
OUTLET TYPE		PIPE SIZE/OUTLET TYPE	E BODY HT. DIM.	ADD
BW	Butt-weld (Specify Schedule 10 or 40)	3BW, 4BW, 6BW	10" [254mm]	POA
IP	Threaded	3IP, 4IP, 6IP	10" [254mm]	POA
SUFFIXES				
				ADD
-DB	Stainless Steel Dome Bottom Strainer			POA
-FG	Flush Gate			POA

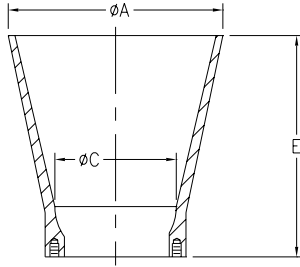
Z1724 ROUND FUNNEL



ENGINEERING SPECIFICATION

Zurn Z1724 4" [102mm] or 6" [152mm] diameter round funnel features Type 304 (CF8) stainless steel with satin finish and securing screws.

Dimensions in inches [mm]			Approximate Weight lb [kg]
A	C	E	
4 [102]	2-1/4 [57]	3-3/4 [95]	3 [1]
6 [152]	2-7/8 [73]	6 [152]	5 [2]



PREFIXES	DESCRIPTION	PRODUCT DESIG.	'A' DIA. SIZE	LIST PRICE
Z1724*	Type 304 (CF8) Stainless Steel Body	-4	4"	POA
		-6	6"	POA
ZM1724	Type 316 (CF8M) Stainless Steel Body	-4	4"	POA
		-6	6"	POA

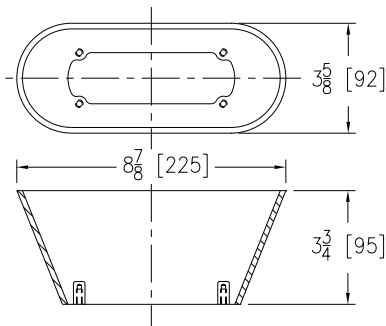
Z1725 OVAL FUNNEL



ENGINEERING SPECIFICATION

Zurn Z1725 8-7/8" x 3-5/8" [225mm x 92mm] oval funnel features Type 304 (CF8) stainless steel with satin finish and securing screws. (For use with 6" [152mm] top size or larger.)

Dimensions in inches [mm]		Approximate Weight lb [kg]
A Oval Size		
8-7/8 [225] x 3-5/8 [92]		5 [2]



PREFIXES	DESCRIPTION	A PIPE SIZE	LIST PRICE
Z1725*	Type 304 (CF8) Stainless Steel Body	8-7/8" x 3-5/8"	POA
ZM1725	Type 316 (CF8M) Stainless Steel Body	8-7/8" x 3-5/8"	POA

*Regularly furnished unless otherwise specified.

⌚ This symbol denotes a product that is engineered to reduce installation and rework time.

For additional product information, please visit www.zurn.com

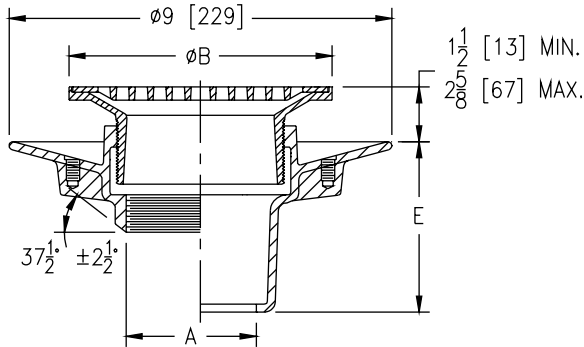
Z1726 ADJUSTABLE MEDIUM DUTY FLOOR DRAIN WITH ROUND TOP



ENGINEERING SPECIFICATION

Zurn Z1726 medium-duty adjustable floor drain features all Type 304 (CF8) stainless steel, anchor flange (clamp collar with seepage holes, when specified), and 6" [152mm] diameter medium-duty vertically adjustable satin finish top.

Dimensions in inches [mm]			Approximate Weight lb [kg]	Grate Open Area sq in [cm ²]
A	B	E		
Butt-Weld (BW) - Specify Schedule 10 or 40				
2BW, 3BW	5 [127]	2-7/8 [73]	13 [6]	7 [45]
2BW, 3BW, 4BW	6 [152]		13 [6]	11 [71]
2BW, 3BW, 4BW	7 [178]		14 [6]	15 [97]
3BW, 4BW, 6BW	8 [203]		16 [7]	20 [129]
6BW	10 [254]		19 [9]	27 [174]
Inside Caulk (IC)				
2IC, 3IC	5 [127]	4-3/8 [111]	13 [6]	7 [45]
2IC, 3IC, 4IC	6 [152]		13 [6]	11 [71]
2IC, 3IC, 4IC	7 [178]		14 [6]	15 [97]
3IC, 4IC	8 [203]		16 [7]	20 [129]
Threaded (IP)				
2IP, 3IP	5 [127]	2-7/8 [73]	13 [6]	7 [45]
2IP, 3IP, 4IP	6 [152]		13 [6]	11 [71]
2IP, 3IP, 4IP	7 [178]		14 [6]	15 [97]
3IP, 4IP	8 [203]		16 [7]	20 [129]



PREFIXES	DESCRIPTION	STRAINER DESIG.	A PIPE SIZE	LIST PRICE
Z1726*	Type 304 (CF8) Stainless Steel Body	-5B	2", 3"	POA
		-6B	2", 3", 4"	POA
		-7B	2", 3", 4"	POA
		-8B	3", 4", 6"	POA
		-10B	6"	POA
ZM1726	Type 316 (CF8M) Stainless Steel Body	-5B	2", 3"	POA
		-6B	2", 3", 4"	POA
		-7B	2", 3", 4"	POA
		-8B	3", 4", 6"	POA
		-10B	6"	POA

OUTLETS (SPECIFY PIPE SIZE IN INCHES AND TYPE OF OUTLET)				
OUTLET TYPE	PIPE SIZE/OUTLET TYPE	E BODY HT. DIM.	ADD	
BW	Butt-weld (Specify Schedule 10 or 40)	2BW, 3BW, 4BW, 6BW	2-7/8" [73mm]	POA
IC	Inside Caulk	2IC, 3IC, 4IC	4-3/8" [111mm]	POA
IP	Threaded	2IP, 3IP, 4IP	2-7/8" [73mm]	POA
SUFFIXES				ADD
-K	Seepage Holes Only			POA
-KC	Clamp Collar with Seepage Holes			POA
-RD5	5" [127mm] Diameter Type 304 Stainless Steel Top			N/C
-RD7	7" [178mm] Diameter Type 304 Stainless Steel Top			POA
-RD8	8" [203mm] Diameter Type 304 Stainless Steel Top			POA
-RD10	10" [254mm] Diameter Type 304 Stainless Steel Top			POA
-VP	Vandal-Proof Secured Top			POA
-Y	Stainless Steel Sediment Bucket			POA

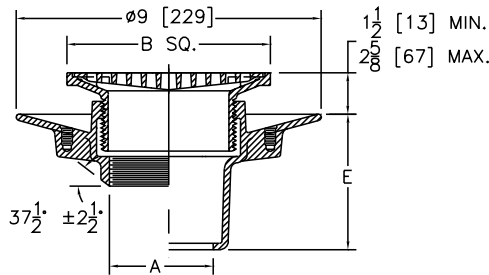
Z1727 ADJUSTABLE MEDIUM DUTY FLOOR DRAIN WITH SQUARE TOP



ENGINEERING SPECIFICATION

Zurn Z1727 medium-duty adjustable floor drain features all Type 304 (CF8) stainless steel, anchor flange (clamp collar with seepage holes when specified), and 6" [152mm] square medium-duty vertically adjustable satin finish top.

Dimensions in inches [mm]			Approximate Weight lb [kg]	Grate Open Area sq in [cm ²]
A	B	E		
Butt-Weld (BW) - Specify Schedule 10 or 40				
2BW, 3BW	5 [127]	2-7/8 [73]	13 [6]	9 [58]
2BW, 3BW, 4BW	6 [152]		14 [6]	13 [84]
3BW, 4BW, 6BW	8 [203]		18 [8]	25 [161]
Inside Caulk (IC)				
3IC	5 [127]	4-3/8 [111]	13 [6]	9 [58]
3IC, 4IC	6 [152]		14 [6]	13 [84]
3IC, 4IC	8 [203]		18 [8]	25 [161]
Threaded (IP)				
2IP, 3IP	5 [127]	2-7/8 [73]	13 [6]	9 [58]
2IP, 3IP, 4IP	6 [152]		14 [6]	13 [84]
3IP, 4IP	8 [203]		18 [8]	25 [161]



PREFIXES	DESCRIPTION	A PIPE SIZE	LIST PRICE	
Z1727*	Type 304 (CF8) Stainless Steel Body and Top Assembly	2", 3"	POA	
		2", 3", 4"	POA	
		3", 4", 6"	POA	
ZM1727	Type 316 (CF8M) Stainless Steel Body and Top Assembly	2", 3"	POA	
		2", 3", 4"	POA	
		3", 4", 6"	POA	
OUTLETS (SPECIFY PIPE SIZE IN INCHES AND TYPE OF OUTLET)				
OUTLET TYPE	PIPE SIZE/OUTLET TYPE	E BODY HT. DIM.	ADD	
BW	Butt-weld (Specify Schedule 10 or 40)	2BW, 3BW, 4BW, 6BW	2-7/8" [73mm]	POA
IC	Inside Caulk	3IC, 4IC	4-3/8" [111mm]	POA
IP	Threaded	2IP, 3IP, 4IP	2-7/8" [73mm]	POA
SUFFIXES			ADD	
-K	Seepage Holes Only		POA	
-KC	Clamp Collar with Seepage Holes		POA	
-SQ5	5" [127mm] Square Type 304 Stainless Steel Top		POA	
-SQ8	8" [203mm] Square Type 304 Stainless Steel Top		POA	
-VP	Vandal-Proof Secured Top		POA	
-Y	Stainless Steel Sediment Bucket		POA	

*Regularly furnished unless otherwise specified.

⌚ This symbol denotes a product that is engineered to reduce installation and rework time.

For additional product information, please visit www.zurn.com

INTRO ROOF DRAINS FLOOR DRAINS T, P, BW VALVES INTERCEPTORS CARRIERS HYDRANTS CLEANOUTS W/HA SS DRAINS FAB SS DRAINS SAN-FLOOR TECH INFO

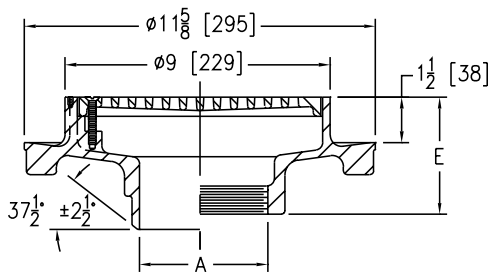
Z1730 9" [229 MM] DIAMETER HEAVY-DUTY SHALLOW TYPE FLOOR DRAIN



ENGINEERING SPECIFICATION

Zurn Z1730 9" [229mm] diameter shallow type, heavy-duty floor drain features all Type 304 (CF8) stainless steel, integral anchor flange, and non-tilt grate with plain finish.

Dimensions in inches [mm]		Approximate Weight lb [kg]	Grate Open Area sq in [cm ²]
A	E		
Butt-Weld (BW) - Specify Schedule 10 or 40			
2BW, 3BW, 4BW	4-13/16 [122]	20 [9]	21 [136]
Threaded (IP)			
2IP, 3IP, 4IP	4-13/16 [122]	20 [9]	21 [136]
No-Hub (NH)			
2NH, 3NH, 4NH	4-13/16 [122]	20 [9]	21 [136]



PREFIXES	DESCRIPTION	A PIPE SIZE	LIST PRICE
Z1730*	Type 304 (CF8) Stainless Steel Body	2", 3", 4"	POA
ZM1730	Type 316 (CF8M) Stainless Steel Body	2", 3", 4"	POA
OUTLETS (SPECIFY PIPE SIZE IN INCHES AND TYPE OF OUTLET)			
OUTLET TYPE	PIPE SIZE/OUTLET TYPE	E BODY HT. DIM.	ADD
BW	Butt-weld (Specify Schedule 10 or 40)	2BW, 3BW, 4BW	4-13/16" [122mm] POA
IP	Threaded	2IP, 3IP, 4IP	4-13/16" [122mm] POA
NH	No-Hub	2NH, 3NH, 4NH	4-13/16" [122mm] POA
SUFFIXES			ADD
-K	Seepage Holes Only		POA
-KC	Clamp Collar with Seepage Holes		POA
-TS	Top Secured with Slotted Screws		POA
-VP	Vandal-Proof Secured Top		POA

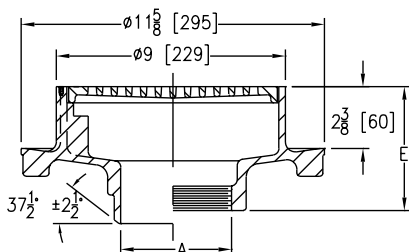
Z1731 9" [229 MM] DIAMETER HEAVY-DUTY MEDIUM DEPTH FLOOR DRAIN



ENGINEERING SPECIFICATION

Zurn Z1731 9" [229mm] diameter heavy-duty floor drain features all Type 304 (CF8) stainless steel, anchor flange, and loose set grate with plain finish.

Dimensions in inches [mm]		Approximate Weight lb [kg]	Grate Open Area sq in [cm ²]
A	E		
Butt-Weld (BW) - Specify Schedule 10 or 40			
3BW, 4BW	5-11/16 [144]	22 [10]	21 [136]
Inside Caulk (IC)			
3IC, 4IC	5-11/16 [144]	22 [10]	21 [136]
Threaded (IP)			
3IP, 4IP	5-11/16 [144]	22 [10]	21 [136]
No-Hub (NH)			
3NH, 4NH	5-11/16 [144]	22 [10]	21 [136]



PREFIXES	DESCRIPTION	A PIPE SIZE	LIST PRICE
Z1731*	Type 304 (CF8) Stainless Steel Body	3", 4"	POA
ZM1731	Type 316 (CF8M) Stainless Steel Body	3", 4"	POA
OUTLETS (SPECIFY PIPE SIZE IN INCHES AND TYPE OF OUTLET)			
OUTLET TYPE	PIPE SIZE/OUTLET TYPE	E BODY HT. DIM.	ADD
BW	Butt-weld (Specify Schedule 10 or 40)	3BW, 4BW	5-11/16" [144mm] POA
IC	Inside Caulk	3IC, 4IC	5-11/16" [144mm] POA
IP	Threaded	3IP, 4IP	5-11/16" [144mm] POA
NH	No-Hub	3NH, 4NH	5-11/16" [144mm] POA
SUFFIXES			ADD
-K	Seepage Holes Only		POA
-KC	Clamp Collar with Seepage Holes		POA
-TS	Top Secured with Slotted Screws		POA
-VP	Vandal-Proof Secured Top		POA
-Y	Sediment Bucket		POA

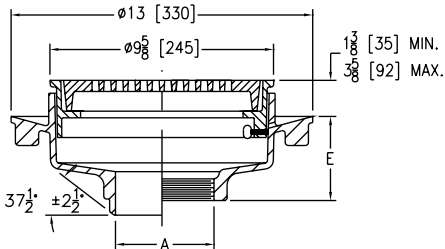
Z1732 9-5/8" [244 MM] DIAMETER HEAVY-DUTY ADJUSTABLE FLOOR DRAIN



ENGINEERING SPECIFICATION

Zurn Z1732 heavy-duty adjustable floor drain features all Type 304 (CF8) stainless steel, integral anchor flange, adjustable top frame, and deep flange grate with plain finish.

Dimensions in inches [mm]		Approximate Weight lb [kg]	Grate Open Area sq in [cm ²]
A	E		
Threaded (IP)			
2IP, 3IP, 4IP	6 [152]	40 [18]	14 [90]
6IP	6-3/8 [162]		
No-Hub (NH)			
2NH, 3NH, 4NH	6 [152]	40 [18]	14 [90]
6NH	6-3/8 [162]		



PREFIXES	DESCRIPTION	A PIPE SIZE	LIST PRICE
Z1732*	Type 304 (CF8) Stainless Steel Body	2", 3", 4", 6"	POA

ZM1732	Type 316 (CF8M) Stainless Steel Body	2", 3", 4", 6"	POA
--------	--------------------------------------	----------------	-----

OUTLETS (SPECIFY PIPE SIZE IN INCHES AND TYPE OF OUTLET)

OUTLET TYPE	PIPE SIZE/OUTLET TYPE	E BODY HT. DIM.	ADD
IP	Threaded	2IP, 3IP, 4IP	6" [152mm]
		6IP	6-3/8" [162mm]
NH	No-Hub	2NH, 3NH, 4NH	6" [152mm]
		6NH	6-3/8" [162mm]

SUFFIXES

SUFFIXES	ADD
-K	Seepage Holes Only
-KC	Clamp Collar with Seepage Holes
-SC	Solid Secured Cover
-VP	Vandal-Proof Secured Top
-Y	Sediment Bucket
-30	Bronze Closure Plug
-33	Type 304 (CF8) Stainless Steel Closure Plug

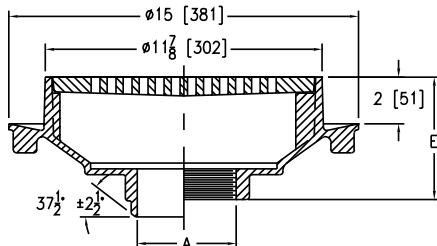
Z1735 12" [305 MM] DIAMETER HEAVY-DUTY FLOOR DRAIN



ENGINEERING SPECIFICATION

Zurn Z1735 12" [305mm] diameter heavy-duty floor drain features all Type 304 (CF8) stainless steel body with integral anchor flange and non-tilt grate with plain finish.

Dimensions in inches [mm]		Approximate Weight lb [kg]	Grate Open Area sq in [cm ²]
A	E		
Butt-Weld (BW) - Specify Schedule 10 or 40			
3BW, 4BW	6 [152]	50 [23]	33 [213]
6BW		54 [24]	
Threaded (IP)			
3IP, 4IP	5-1/4 [133]	50 [23]	33 [213]
6IP		54 [24]	



PREFIXES	DESCRIPTION	A PIPE SIZE	LIST PRICE
Z1735*	Type 304 (CF8) Stainless Steel Body	3", 4"	POA

ZM1735	Type 316 (CF8M) Stainless Steel Body	3", 4"	POA
--------	--------------------------------------	--------	-----

OUTLETS (SPECIFY PIPE SIZE IN INCHES AND TYPE OF OUTLET)

OUTLET TYPE	PIPE SIZE/OUTLET TYPE	E BODY HT. DIM.	ADD
BW	Butt-weld (Specify Schedule 10 or 40)	3BW, 4BW, 6BW	6" [152mm]
IP	Threaded	3IP, 4IP, 6IP	5-1/4" [133mm]

SUFFIXES

SUFFIXES	ADD
-K	Seepage Holes Only
-KC	Clamp Collar with Seepage Holes
-TS	Top Secured with Slotted Screws
-VP	Vandal-Proof Secured Top
-Y	Sediment Bucket
-30	Bronze Closure Plug
-33	Type 304 (CF8) Stainless Steel Closure Plug

*Regularly furnished unless otherwise specified.

⌚ This symbol denotes a product that is engineered to reduce installation and rework time.

For additional product information, please visit www.zurn.com

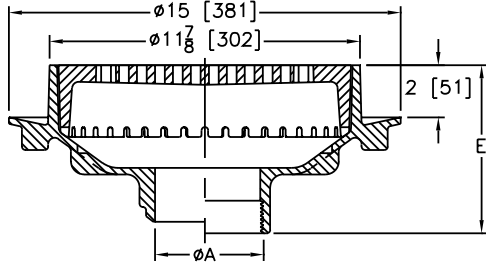
Z1736 12" [305 MM] DIAMETER EXTRA HEAVY-DUTY FLOOR DRAIN



ENGINEERING SPECIFICATION

Zurn Z1736 12" [305mm] diameter extra heavy-duty floor drain features all Type 304 (CF8) stainless steel body with integral anchor flange and deep flange grate with plain finish.

Dimensions in inches [mm]		Approximate Weight lb [kg]	Grate Open Area sq in [cm ²]
A	E		
Butt-Weld (BW) - Specify Schedule 10 or 40			
3BW, 4BW, 6BW	6 [152]	61 [28]	34 [219]
Threaded (IP)			
3IP, 4IP, 6IP	6-7/16 [164]	61 [28]	34 [219]



PREFIXES	DESCRIPTION	A PIPE SIZE	LIST PRICE
Z1736*	Type 304 (CF8) Stainless Steel Body	3", 4", 6"	POA
ZM1736	Type 316 (CF8M) Stainless Steel Body	3", 4", 6"	POA
OUTLETS (SPECIFY PIPE SIZE IN INCHES AND TYPE OF OUTLET)			
OUTLET TYPE	PIPE SIZE/OUTLET TYPE	E BODY HT. DIM.	ADD
BW	Butt-weld (Specify Schedule 10 or 40)	3BW, 4BW, 6BW	6" [152mm] POA
IP	Threaded	3IP, 4IP, 6IP	6-7/16" [164mm] POA
SUFFIXES			ADD
-K	Seepage Holes Only		POA
-KC	Clamp Collar with Seepage Holes		POA
-TS	Top Secured with Slotted Screws		POA
-VP	Vandal-Proof Secured Top		POA
-Y	Sediment Bucket		POA
-30	Bronze Closure Plug		POA
-33	Type 304 Stainless Steel Closure Plug		POA

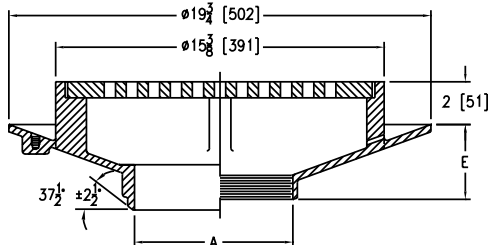
Z1737 15" [381 MM] DIAMETER EXTRA HEAVY-DUTY FLOOR DRAIN



ENGINEERING SPECIFICATION

Zurn Z1737 15" [381mm] diameter extra heavy-duty floor drain features all Type 304 (CF8) stainless steel body, integral anchor flange, and non-tilt grate with plain finish.

Dimensions in inches [mm]		Approximate Weight lb [kg]	Grate Open Area sq in [cm ²]
A	E		
Threaded (IP)			
8IP	5-1/2 [140]	85 [39]	55 [355]



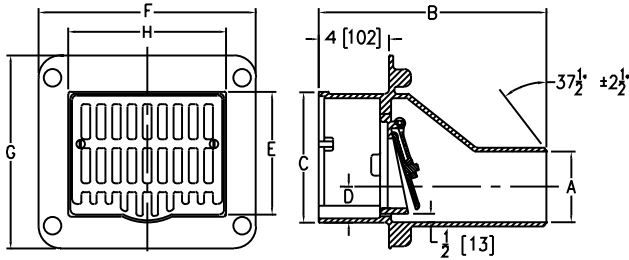
PREFIXES	DESCRIPTION	A PIPE SIZE	LIST PRICE
Z1737*	Type 304 (CF8) Stainless Steel Body	8"	POA
ZM1737	Type 316 (CF8M) Stainless Steel Body	8"	POA
OUTLETS (SPECIFY PIPE SIZE IN INCHES AND TYPE OF OUTLET)			
OUTLET TYPE	PIPE SIZE/OUTLET TYPE	E BODY HT. DIM.	ADD
IP	Threaded	8IP	5-1/2" [140mm] POA
SUFFIXES			ADD
-K	Seepage Holes Only		POA
-KC	Clamp Collar with Seepage Holes		POA
-TS	Top Secured with Slotted Screws		POA
-VP	Vandal-Proof Secured Top		POA

Z1739 PIT DRAIN



ENGINEERING SPECIFICATION

Zurn Z1739 pit drain features all Type 304 (CF8) stainless steel body with integral anchor flange, grate with plain finish, and bronze backwater valve.



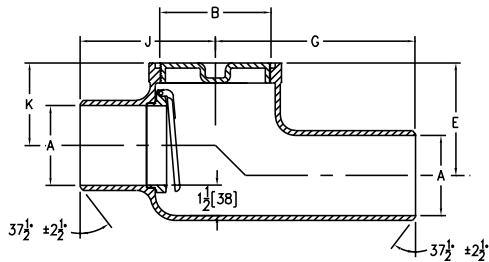
Dimensions in inches [mm]								Approximate Weight lb [kg]	Grate Open Area sq in [cm ²]
A	B	C	D	E	F	G	H		
Butt-Weld (BW) - Specify Schedule 10 or 40									
3BW	13 [330]	7-5/8 [194]	1-1/2 [38]	6-7/8 [175]	12-3/4 [324]	11 [279]	9-1/4 [235]	50 [23]	20 [129]
4BW			2 [51]						

Z1740 BACKWATER VALVE



ENGINEERING SPECIFICATION

Zurn Z1740 backwater valve features Type 304 (CF8) stainless steel body with bronze backwater valve and bronze threaded cover.



Dimensions in inches [mm]						Approximate Weight lb [kg]
A	B	E	G	J	K	
Butt-Weld (BW) - Specify Schedule 10 or 40						
4BW	5 [127]	5-5/8 [143]	8-1/2 [216]	6-3/4 [171]	4-1/8 [105]	

PREFIXES	DESCRIPTION	A PIPE SIZE	LIST PRICE
Z1739*	Type 304 (CF8) Stainless Steel Body	3"	POA
		4"	POA
ZM1739	Type 316 (CF8M) Stainless Steel Body	3"	POA
		4"	POA
OUTLETS (SPECIFY PIPE SIZE IN INCHES AND TYPE OF OUTLET)			
OUTLET TYPE		PIPE SIZE/OUTLET TYPE	ADD
BW	Butt-weld (Specify Schedule 10 or 40)	3BW, 4BW	POA
SUFFIXES			
-VP	Vandal-Proof Secured Top		POA

PREFIXES	DESCRIPTION	A PIPE SIZE	LIST PRICE
Z1740*	Type 304 (CF8) Stainless Steel Body	4"	POA
ZM1740	Type 316 (CF8M) Stainless Steel Body	4"	POA
OUTLETS (SPECIFY PIPE SIZE IN INCHES AND TYPE OF OUTLET)			
OUTLET TYPE		PIPE SIZE/OUTLET TYPE	ADD
BW	Butt-weld (Specify Schedule 10 or 40)	4BW	POA
SUFFIXES			
-SP	Stainless Steel Threaded Cover		POA
-SV	Stainless Steel Backwater Valve		POA

*Regularly furnished unless otherwise specified.

⌚ This symbol denotes a product that is engineered to reduce installation and rework time.

For additional product information, please visit www.zurn.com

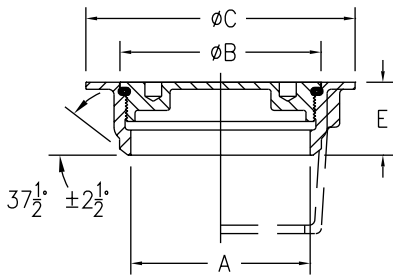
Z1745 FLOOR CLEANOUT WITH O-RING SEAL PLUG



ENGINEERING SPECIFICATION

Zurn Z1745 floor cleanout features all Type 304 (CF8) stainless steel body and plug with O-ring seal. Plug is scoriated with satin finish. Spanner wrench provided for each plug size.

Dimensions in inches [mm]				Approximate Weight lb [kg]
A	B	C	E	
Butt-Weld (BW) - Specify Schedule 10 or 40				
2BW	2-3/4 [70]	4 [102]	1-5/8 [41]	6 [3]
3BW	3-1/2 [89]	4-7/8 [124]		
4BW	4-1/2 [114]	6 [152]		
6BW	7-7/8 [200]	9-3/8 [238]		
8BW	9-7/8 [251]	11 [279]	2-1/2 [64]	10 [5]
Inside Caulk (IC)				
2IC	2-3/4 [70]	4 [102]	3-3/8 [86]	6 [3]
3IC	3-1/2 [89]	4-7/8 [124]		
4IC	4-1/2 [114]	6 [152]		
6IC	7-7/8 [200]	9-3/8 [238]		



PREFIXES	DESCRIPTION	A PIPE SIZE	LIST PRICE	
Z1745*	Type 304 (CF8) Stainless Steel Body	2"	POA	
		3"	POA	
		4"	POA	
		6"	POA	
		8"	POA	
ZM1745	Type 316 (CF8M) Stainless Steel Body	2"	POA	
		3"	POA	
		4"	POA	
		6"	POA	
		8"	POA	
OUTLETS (SPECIFY PIPE SIZE IN INCHES AND TYPE OF OUTLET)				
OUTLET TYPE	PIPE SIZE/OUTLET TYPE	E BODY HT. DIM.	ADD	
BW	Butt-weld (Specify Schedule 10 or 40)	2BW, 3BW, 4BW, 6BW	1-5/8" [41mm]	POA
		8BW	2-1/2" [64mm]	POA
IC	Inside Caulk	2IC, 3IC, 4IC, 6IC	3-3/8" [86mm]	POA
SUFFIXES			ADD	
-SW	Bronze Spanner Wrench			POA

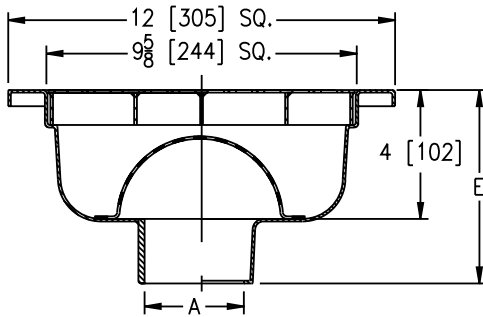
Z1749 12" X 12" [305 MM X 305 MM] SANI-FLOR RECEPTOR WITH 4" [102 MM] SUMP DEPTH



ENGINEERING SPECIFICATION

Zurn Z1749 12" x 12" x 4" [305mm x 305mm x 102mm] light-duty Sani-Flor receptor features deep, 16 gage, all Type 304 (CF8) stainless steel, non-tilt, loose set, full grate with 1/2" [13mm] square openings, and anti-splash stainless steel interior dome strainer.

Dimensions in inches [mm]		Approximate Weight lb [kg]	Grate Open Area sq in [cm ²]
A	E		
No-Hub (NH)			
2NH, 3NH, 4NH	6-1/16 [154]	15 [7]	23 [148]
Neo-Loc (NL)			
2NL, 3NL, 4NL	5-13/16 [148]	15 [7]	23 [148]



PREFIXES	DESCRIPTION	A PIPE SIZE	LIST PRICE	
Z1749*	Type 304 (CF8) Stainless Steel Body	2"	POA	
		3"	POA	
		4"	POA	
ZM1749	Type 316 (CF8M) Stainless Steel Body	2"	POA	
		3"	POA	
		4"	POA	
OUTLETS (SPECIFY PIPE SIZE IN INCHES AND TYPE OF OUTLET)				
OUTLET TYPE	PIPE SIZE/OUTLET TYPE	E BODY HT. DIM.	ADD	
NH	No-Hub	2NH, 3NH, 4NH	6-1/16" [154mm]	POA
NL	Neo-Loc	2NL, 3NL, 4NL	5-13/16" [148mm]	POA
SUFFIXES			ADD	
-DX	Dex-O-Tex Flange		POA	
-HD	Extra-Heavy-Duty Top Frame and Grate		POA	
-HP	Heel-Proof Grate		POA	
-K	Anchor Flange (May not be used with -P)		POA	
-KC	Anchor Flange with Seepage Holes and Clamp Collar (May not be used with -P)		POA	
-P	1/2" [13mm] Trap Primer Connection (May not be used with -K or -KC)		POA	
-SG	Solid Gasketed Cover		POA	
Ⓢ -TC	Neo-Loc Test Cap Gasket (2" [51mm] thru 4" [102mm] NL Bottom Outlet Only)		POA	
-VP	Vandal-Proof Secured Top		POA	
-Y	Sediment Bucket		POA	
-YS	Suspended Sediment Bucket		POA	
-2	1/2 Grate		N/C	
-3	3/4 Grate		N/C	
-4	Full Grate with 3" [76mm] Square Opening		POA	
-5	Grate with 4" [102mm] Dia. X 3-3/4" [95mm] High Type 304 S.S. Funnel		POA	
-8	Grate with 8-3/8" x 3-5/8 x 3-3/4" [225mm x 92mm x 95mm] High Type 304 S.S. Oval Funnel		POA	
-15	Solid Cover		POA	
-16	1/2 Solid Cover		POA	
-19	Full Hinged Grate		POA	
-20	Full Hinged Cover		POA	
			DEDUCT	
-1	Less Grate		POA	

*Regularly furnished unless otherwise specified.

Ⓢ This symbol denotes a product that is engineered to reduce installation and rework time.

For additional product information, please visit www.zurn.com

INTRO ROOF DRAINS FLOOR DRAINS T, P, BW VALVES INTERCEPTORS CARRIERS HYDRANTS CLEANOUTS W/HA SS DRAINS FAB SS DRAINS SANI-FLOR TECH INFO

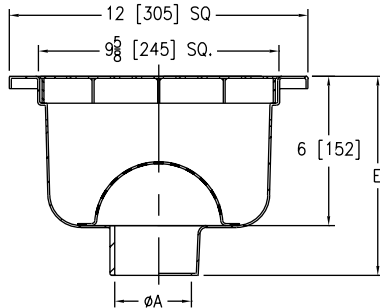
Z1750 12" X 12" [305 MM X 305 MM] SANI-FLOR RECEPTOR WITH 6" [152 MM] SUMP DEPTH



ENGINEERING SPECIFICATION

Zurn Z1750 12" x 12" x 6" [305mm x 305mm x 152mm] deep light-duty Sani-Flor receptor features 16 gage, all Type 304 (CF8) stainless steel, non-tilt, loose set, full grate with 1/2" [13mm] square openings, and anti-splash stainless steel interior dome strainer.

Dimensions in inches [mm]		Approximate Weight lb [kg]	Grate Open Area sq in [cm ²]
A	E		
Inside Caulk (IC)			
3IC, 4IC	8-9/16 [217]	15 [7]	23 [148]
No-Hub (NH)			
2NH, 3NH, 4NH	8-1/16 [205]	15 [7]	23 [148]
6NH		17 [8]	23 [148]
Neo-Loc (NL)			
3NL, 4NL	7-13/16 [198]	15 [7]	23 [148]



PREFIXES	DESCRIPTION	A PIPE SIZE	LIST PRICE
Z1750*	Type 304 (CF8) Stainless Steel Body	2"	POA
		3"	POA
		4"	POA
		6"	POA
ZM1750	Type 316 (CF8M) Stainless Steel Body	2"	POA
		3"	POA
		4"	POA
		6"	POA

OUTLETS (SPECIFY PIPE SIZE IN INCHES AND TYPE OF OUTLET)			
OUTLET TYPE	PIPE SIZE/OUTLET TYPE	E BODY HT. DIM.	ADD
IC	Inside Caulk 3IC, 4IC	8-9/16" [218mm]	POA
NH	No-Hub 2NH, 3NH, 4NH, 6NH	8-1/16" [205mm]	POA
NL	Neo-Loc 3NL, 4NL	7-13/16" [198mm]	POA

SUFFIXES	ADD
-DX	Dex-O-Tex Flange POA
-HD	Extra-Heavy-Duty Grate POA
-HP	Heel-Proof Grate POA
-K	Anchor Flange POA
-KC	Anchor Flange with Seepage Holes and Clamp Collar POA
-P	1/2" [13mm] Trap Primer Connection (See Z1023) POA
-SG	Solid Gasketed Cover POA
⊖ -TC	Neo-Loc Test Cap Gasket (3" [76mm], 4" [102mm] NL Bottom Outlet Only) POA
-VP	Vandal-Proof Secured Top POA
-Y	Sediment Bucket POA
-YS	Suspended Sediment Bucket POA
-2	1/2 Grate N/C
-3	3/4 Grate N/C
-4	Full Grate with 3" [76mm] Square Opening POA
-5	Grate with 4" [102mm] Dia. X 3-3/4" [95mm] High Type 304 S.S. Funnel POA
-8	Grate with 8-3/8" x 3-5/8 x 3-3/4" [225mm x 92mm x 95mm] High Type 304 S.S. Oval Funnel POA
-15	Solid Cover POA
-16	1/2 Solid Cover POA
-19	Full Hinged Grate POA
-20	Full Hinged Solid Cover POA
DEDUCT	
-1	Less Grate POA

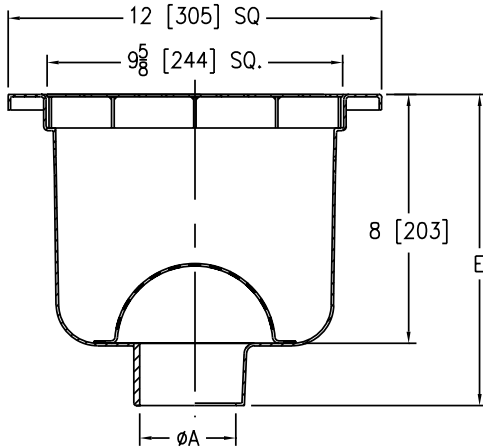
Z1751 12" X 12" [305 MM X 305 MM] SANI-FLOR RECEPTOR WITH 8" [203 MM] SUMP DEPTH



ENGINEERING SPECIFICATION

Zurn Z1751 12" x 12" x 8" [305mm x 305mm x 203mm] deep light-duty Sani-Flor receptor features 16 gage, all Type 304 (CF8) stainless steel, non-tilt, loose set, full grate with 1/2" [13mm] square openings, and anti-splash stainless steel interior dome strainer.

Dimensions in inches [mm]		Approximate Weight lb [kg]	Grate Open Area sq in [cm ²]
A	E		
Inside Caulk (IC)			
3IC, 4IC	10-9/16 [268]	19 [9]	23 [148]
No-Hub (NH)			
2NH, 3NH, 4NH	10-1/16 [256]	19 [9]	23 [148]
6NH		21 [10]	23 [148]
Neo-Loc (NL)			
2NL, 3NL, 4NL	9-13/16 [249]	19 [9]	23 [148]



PREFIXES	DESCRIPTION	A PIPE SIZE	LIST PRICE
Z1751*	Type 304 (CF8) Stainless Steel Body	2"	POA
		3"	POA
		4"	POA
		6"	POA
ZM1751	Type 316 (CF8M) Stainless Steel Body	2"	POA
		3"	POA
		4"	POA
		6"	POA

OUTLETS (SPECIFY PIPE SIZE IN INCHES AND TYPE OF OUTLET)			
OUTLET TYPE	PIPE SIZE/OUTLET TYPE	E BODY HT. DIM.	ADD
IC	Inside Caulk 3IC, 4IC	10-9/16" [268mm]	POA
NH	No-Hub 2NH, 3NH, 4NH, 6NH	10-1/16" [256mm]	POA
NL	Neo-Loc 2NL, 3NL, 4NL	9-13/16" [249mm]	POA

SUFFIXES	ADD
-DX	Dex-O-Tex Flange POA
-HD	Extra-Heavy-Duty Grate POA
-HP	Heel-Proof Grate POA
-K	Anchor Flange POA
-KC	Anchor Flange with Seepage Holes and Clamp Collar POA
-P	1/2" [13mm] Trap Primer Connection (See Z1023) POA
-SG	Solid Gasketed Cover POA
Ⓢ -TC	Neo-Loc Test Cap Gasket (2" [51mm], 3" [76mm], 4" [102mm] NL Bottom Outlet Only) POA
-VP	Vandal-Proof Secured Top POA
-Y	Sediment Bucket POA
-YS	Suspended Sediment Bucket POA
-2	1/2 Grate N/C
-3	3/4 Grate N/C
-4	Full Grate with 3" [76mm] Square Opening POA
-5	Grate with 4" [102mm] Dia. X 3-3/4" [95mm] High Type 304 S.S. Funnel POA
-8	Grate with 8-3/8" x 3-5/8 x 3-3/4" [225mm x 92mm x 95mm] High Type 304 S.S. Oval Funnel POA
-15	Solid Cover POA
-16	1/2 Solid Cover POA
-19	Full Hinged Grate POA
-20	Full Hinged Solid Cover POA
DEDUCT	
-1	Less Grate POA

*Regularly furnished unless otherwise specified.

Ⓢ This symbol denotes a product that is engineered to reduce installation and rework time.

For additional product information, please visit www.zurn.com

INTRO ROOF DRAINS FLOOR DRAINS T, P, BW VALVES INTERCEPTORS CARRIERS HYDRANTS CLEANOUTS W/HA SS DRAINS FAB SS DRAINS SANI-FLOR TECH INFO

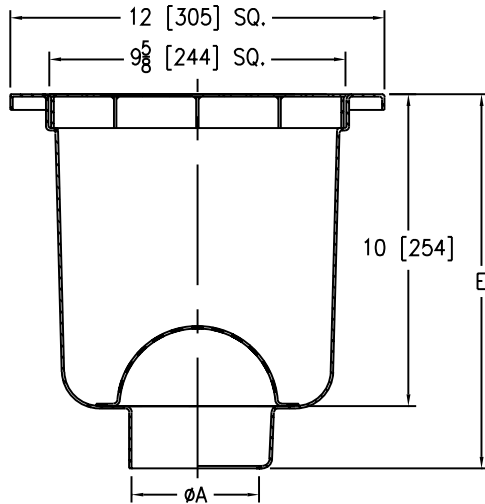
Z1752 12" X 12" [305 MM X 305 MM] SANI-FLOR RECEPTOR WITH 10" [254 MM] SUMP DEPTH



ENGINEERING SPECIFICATION

Zurn Z1752 12" x 12" x 10" [305mm x 305mm x 254mm] deep light-duty Sani-Flor receptor features 16 gage, all Type 304 (CF8) stainless steel, non-tilt, loose set, full grate with 1/2" [13mm] square openings, and anti-splash stainless steel interior dome strainer.

Dimensions in inches [mm]		Approximate Weight lb [kg]	Grate Open Area sq in [cm ²]
A	E		
No-Hub (NH)			
2NH, 3NH, 4NH	12-1/16 [306]	22 [10]	23 [148]
6NH		23 [10]	23 [148]
Neo-Loc (NL)			
2NL, 3NL, 4NL	11-13/16 [300]	22 [10]	23 [148]



PREFIXES	DESCRIPTION	A PIPE SIZE	LIST PRICE
Z1752*	Type 304 (CF8) Stainless Steel Body	2"	POA
		3"	POA
		4"	POA
		6"	POA
ZM1752	Type 316 (CF8M) Stainless Steel Body	2"	POA
		3"	POA
		4"	POA
		6"	POA

OUTLETS (SPECIFY PIPE SIZE IN INCHES AND TYPE OF OUTLET)			
OUTLET TYPE	PIPE SIZE/OUTLET TYPE	E BODY HT. DIM.	ADD
NH	No-Hub	2NH, 3NH, 4NH, 6NH	12-1/16" [306mm]
NL	Neo-Loc	2NL, 3NL, 4NL	11-13/16" [300mm]

SUFFIXES	ADD	
-DX	Dex-O-Tex Flange	POA
-HD	Extra-Heavy-Duty Grate	POA
-HP	Heel-Proof Grate	POA
-K	Anchor Flange	POA
-KC	Anchor Flange with Seepage Holes and Clamp Collar	POA
-P	1/2" [13mm] Trap Primer Connection (See Z1023)	POA
-SG	Solid Gasketed Cover	POA
Ⓢ -TC	Neo-Loc Test Cap Gasket (2" [51mm], 3" [76mm], 4" [102mm] NL Bottom Outlet Only)	POA
-VP	Vandal-Proof Secured Top	POA
-Y	Sediment Bucket	POA
-YS	Suspended Sediment Bucket	POA
-2	1/2 Grate	N/C
-3	3/4 Grate	N/C
-4	Full Grate with 3" [76mm] Square Opening	POA
-5	Grate with 4" [102mm] Dia. X 3-3/4" [95mm] High Type 304 S.S. Funnel	POA
-8	Grate with 8-3/8" x 3-5/8 x 3-3/4" [225mm x 92mm x 95mm] High Type 304 S.S. Oval Funnel	POA
-15	Solid Cover	POA
-16	1/2 Solid Cover	POA
-19	Full Hinged Grate	POA
-20	Full Hinged Solid Cover	POA
DEDUCT		
-1	Less Grate	POA

Z1755 13-3/8" [340 MM] SQUARE SANI-FLORECEPTOR 6" [152 MM] SUMP WITH ADJUSTABLE CLAMP FRAME

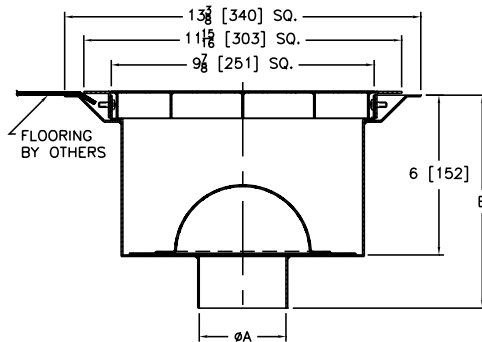


Patented

ENGINEERING SPECIFICATION

Zurn Z1755 13-3/8" [340mm] square x 6" [152mm] deep light-duty Sani-Flo receptor features 16 gage, all Type 304 (CF8) fabricated stainless steel, integral flooring clamp frame, and non-tilt loose set, full grate with interior dome strainer for unlevel floor installations.

Dimensions in inches [mm]		Approximate Weight lb [kg]	Grate Open Area sq in [cm ²]
A	E		
No-Hub (NH)			
2NH, 3NH, 4NH	8 [203]	10 [5]	25 [161]

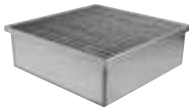


PREFIXES	DESCRIPTION	A PIPE SIZE	LIST PRICE
Z1755*	Type 304 (CF8) Stainless Steel Body	2", 3", 4"	POA
ZM1755	Type 316 (CF8M) Stainless Steel Body	2", 3", 4"	POA

OUTLETS (SPECIFY PIPE SIZE IN INCHES AND TYPE OF OUTLET)			
OUTLET TYPE	PIPE SIZE/OUTLET TYPE	E BODY HT. DIM.	ADD
NH	No-Hub	2NH, 3NH, 4NH	8" [203mm] POA

SUFFIXES			ADD
-P	1/2" [13mm] Trap Primer Connection (See Z1023)		POA
-2	1/2 Grate		POA
-3	3/4 Grate		POA

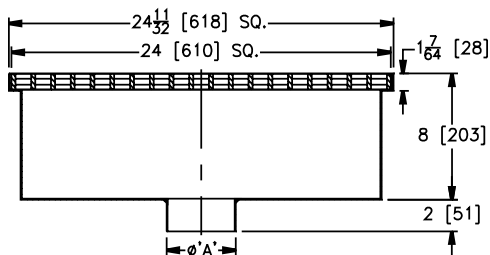
Z1761 24-5/16" [618 MM] SQUARE KETTLE DRAIN WITH 8" [203 MM] SUMP DEPTH



ENGINEERING SPECIFICATION

Zurn ZS1761 24-5/16" x 24-5/16" x 8" [618mm x 618mm x 203mm] deep light-duty square kettle drain features 14 gage, all Type 304 (CF8) stainless steel, and loose set full grate.

Dimensions in inches [mm]		Approximate Weight lb [kg]	Grate Open Area sq in [cm ²]
A Pipe Size			
No-Hub (NH)			
4NH, 6NH, 8NH		72 [33]	425 [2741]



PREFIXES	DESCRIPTION	A PIPE SIZE	LIST PRICE
ZS1761*	Type 304 (CF8) Stainless Steel Body and Grate	4", 6", 8"	POA

Z1761	A.R.E. Coated Fabricated Steel Body and Type 304 (CF8) Stainless Steel Grate	4", 6", 8"	POA
-------	--	------------	-----

ZM1761	Type 316 (CF8M) Stainless Steel Body and Grate	4", 6", 8"	POA
--------	--	------------	-----

OUTLETS (SPECIFY PIPE SIZE IN INCHES AND TYPE OF OUTLET)			
OUTLET TYPE	PIPE SIZE/OUTLET TYPE	ADD	
NH	No-Hub	4NH, 6NH, 8NH	POA

SUFFIXES			ADD
-PB	Perforated Sediment Bucket		POA

*Regularly furnished unless otherwise specified.

⌚ This symbol denotes a product that is engineered to reduce installation and rework time.

For additional product information, please visit www.zurn.com

Z1762 28" X 15-1/2" [711 MM X 394 MM] KETTLE DRAIN

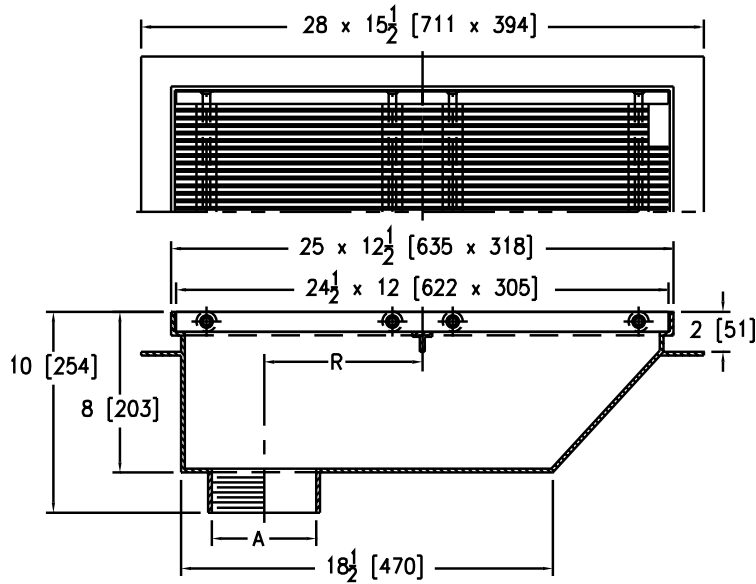


ENGINEERING SPECIFICATION

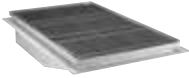
Zurn ZS1762 28" [711mm] x 15-1/2" [394mm] kettle drain features Type 304 (CF8) stainless steel fabricated body and stainless steel two-piece grate with 1/8" [3mm] bars on 3/8" [10mm] center. One grate section comes with lift hole.

Dimensions in inches [mm]		Approximate Weight lb [kg]	Grate Open Area sq in [cm ²]
A	R		
No-Hub (NH)			
3NH, 4NH	7-7/8 [200]	71 [32]	149 [961]
6NH	6-7/8 [175]		

PREFIXES	DESCRIPTION	A PIPE SIZE	LIST PRICE
ZS1762*	All Type 304 Fabricated Stainless Steel Body with Stainless Steel	3", 4"	POA
		6"	POA
Z1762	Acid Resistant Epoxy Coated Steel Body with Stainless Steel Top	3", 4"	POA
		6"	POA
OUTLETS (SPECIFY PIPE SIZE IN INCHES AND TYPE OF OUTLET)			
OUTLET TYPE	PIPE SIZE/OUTLET TYPE		ADD
NH	3NH, 4NH, 6NH		POA
SUFFIXES			ADD
-SB	Solids Retaining Baffle		N/C



Z1763 40-7/16" X 25-3/4" [1027 MM X 654 MM] KETTLE DRAIN

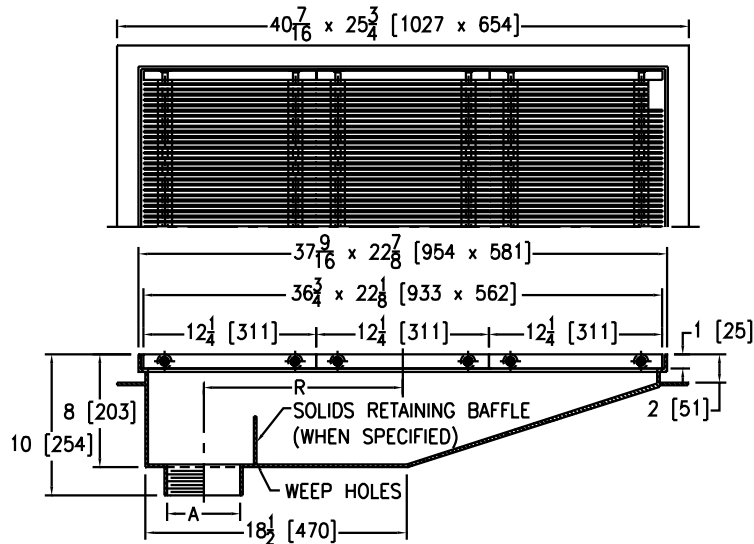


ENGINEERING SPECIFICATION

Zurn ZS1763 40-7/16" x 25-3/4" [1027mm x 654mm] kettle drain features Type 304 (CF8) stainless steel fabricated body and stainless steel three-piece grate with 1/8" [3mm] bars on 3/8" [10mm] center. One grate section comes with lift hole.

Dimensions in inches [mm]		Approximate Weight lb [kg]	Grate Open Area sq in [cm ²]
A	R		
No-Hub (NH)			
3NH, 4NH	14 [356]	125 [57]	420 [2709]
6NH	13 [330]		
8NH	12 [305]		
10NH	11 [279]		
12NH	10 [254]		

PREFIXES	DESCRIPTION	A PIPE SIZE	LIST PRICE
ZS1763*	All Type 304 Fabricated Stainless Steel Body with Stainless Steel	3", 4"	POA
		6"	POA
		8"	POA
		10"	POA
		12"	POA
Z1763	Acid Resistant Epoxy Coated Steel Body with Stainless Steel Top	3", 4"	POA
		6"	POA
		8"	POA
		10"	POA
		12"	POA
OUTLETS (SPECIFY PIPE SIZE IN INCHES AND TYPE OF OUTLET)			
OUTLET TYPE		PIPE SIZE/OUTLET TYPE	ADD
NH	No-Hub	3NH, 4NH, 6NH, 8NH, 10NH, 12NH	POA
SUFFIXES			
-SB	Solids Retaining Baffle		N/C



*Regularly furnished unless otherwise specified.

⌚ This symbol denotes a product that is engineered to reduce installation and rework time.

For additional product information, please visit www.zurn.com

INTRO
ROOF DRAINS
FLOOR DRAINS
T, P, BW VALVES
INTERCEPTORS
CARRIERS
HYDRANTS
CLEANOUTS
WHA
SS DRAINS
FAB SS DRAINS
SANI-FLOOR
TECH INFO

NOTES

INTRO

ROOF DRAINS

FLOOR DRAINS

T, P, BW VALVES

INTERCEPTORS

CARRIERS

HYDRANTS

CLEANOUTS

WHA

SS DRAINS

FAB SS DRAINS

SANI-FLOR

TECH INFO

FABRICATED STAINLESS STEEL DRAINS

ZS880 STAINLESS STEEL LINEAR SHOWER DRAIN	342
Z1800-6B 6" [152 MM] DIAMETER INDUSTRIAL FLOOR DRAIN 4-19/32" [117 MM] SUMP DEPTH	343
Z1800-8B 8" [203 MM] DIAMETER INDUSTRIAL FLOOR DRAIN 6" [152 MM] SUMP DEPTH	344
Z1800-8S 8" X 8" [203 MM X 203 MM] INDUSTRIAL FLOOR DRAIN 6" [152 MM] SUMP DEPTH	344
Z1800-12B 12" [305 MM] DIAMETER INDUSTRIAL FLOOR DRAIN 6" [152 MM] SUMP DEPTH	345
Z1800-12S 12" X 12" [305 MM X 305 MM] INDUSTRIAL FLOOR DRAIN 6" [152 MM] SUMP DEPTH	345
Z1810-6B 6" [152 MM] DIAMETER ADJUSTABLE INDUSTRIAL FLOOR DRAIN	346
Z1810-8B 8" [203 MM] DIAMETER ADJUSTABLE INDUSTRIAL FLOOR DRAIN	346
Z1810-8S 8" X 8" [203 MM X 203 MM] ADJUSTABLE INDUSTRIAL FLOOR DRAIN	347
Z1810-12B 12" [305 MM] DIAMETER ADJUSTABLE INDUSTRIAL FLOOR DRAIN	347
Z1810-12S 12" X 12" [305 MM X 305 MM] ADJUSTABLE INDUSTRIAL FLOOR DRAIN	348
Z1820-8B 8" [203 MM] DIAMETER INDUSTRIAL FLOOR DRAIN WITH SIDE OUTLET	348
Z1820-8S 8" X 8" [203 MM X 203 MM] INDUSTRIAL FLOOR DRAIN WITH SIDE OUTLET	349
Z1820-12B 12" [305 MM] DIAMETER INDUSTRIAL FLOOR DRAIN WITH SIDE OUTLET	349
Z1820-12S 12" X 12" [305 MM X 305 MM] INDUSTRIAL FLOOR DRAIN WITH SIDE OUTLET	350
Z1830-8B 8" [203 MM] DIAMETER INDUSTRIAL FLOOR DRAIN 8" [203 MM] SUMP DEPTH	350
Z1830-8S 8" X 8" [203 MM X 203 MM] DIAMETER INDUSTRIAL FLOOR DRAIN 8" [203 MM] SUMP DEPTH	351
Z1830-12B 12" [305 MM] DIAMETER INDUSTRIAL FLOOR DRAIN 8" [203 MM] SUMP DEPTH	351
Z1830-12S 12" X 12" [305 MM X 305 MM] INDUSTRIAL FLOOR DRAIN 8" [203 MM] SUMP DEPTH	352
Z1840-6B 6" [152 MM] DIAMETER INDUSTRIAL FLOOR CLEANOUT	352
Z1840-6S 6" X 6" [152 MM X 152 MM] INDUSTRIAL FLOOR CLEANOUT	353
Z1840-8B 8" [203 MM] DIAMETER INDUSTRIAL FLOOR CLEANOUT	353
Z1840-8S 8" X 8" [203 MM X 203 MM] INDUSTRIAL FLOOR CLEANOUT	354

ZS880 STAINLESS STEEL LINEAR SHOWER DRAIN



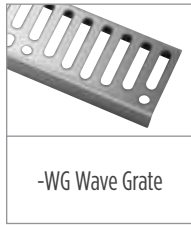
ENGINEERING SPECIFICATION

ZS880 all Type 304 (CF8) fabricated stainless steel linear shower drain comes complete with vertically adjustable anchoring support legs, anti-ponding V-shaped channel with 2" [51mm] no-hub outlet, adjustable secured leveling frame with integral tiling edge, and secured, light-duty, slotted heel-proof grate.

Product Designation	Dimensions in inches [mm]		Grate Open Area sq in [cm ²]	Approximate Weight lb [kg]
	A	B		
-12	12 [305]	12 [305]	6 [39]	2.9 [1.32]
-28	28 [711]	30 [762]	15 [97]	5.4 [2.45]
-32	32 [813]	34 [864]	18 [116]	5.9 [2.68]
-36	36 [914]	38 [965]	20 [129]	6.4 [2.9]
-40	40 [1016]	42 [1067]	22 [142]	7.2 [3.27]
-48	48 [1219]	50 [1270]	27 [174]	8.4 [3.81]
-60	60 [1524]	62 [1575]	34 [219]	10.3 [4.67]
-72	72 [1829]	74 [1880]	41 [265]	12.4 [5.62]



-LS Linear Slotted Grate



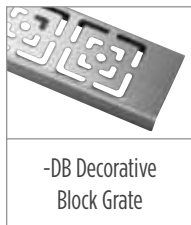
-WG Wave Grate



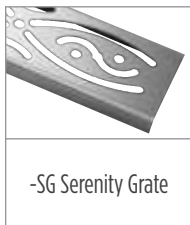
-TG Tile Inlay Grate (Tile by other)



-BW Basket Weave Grate

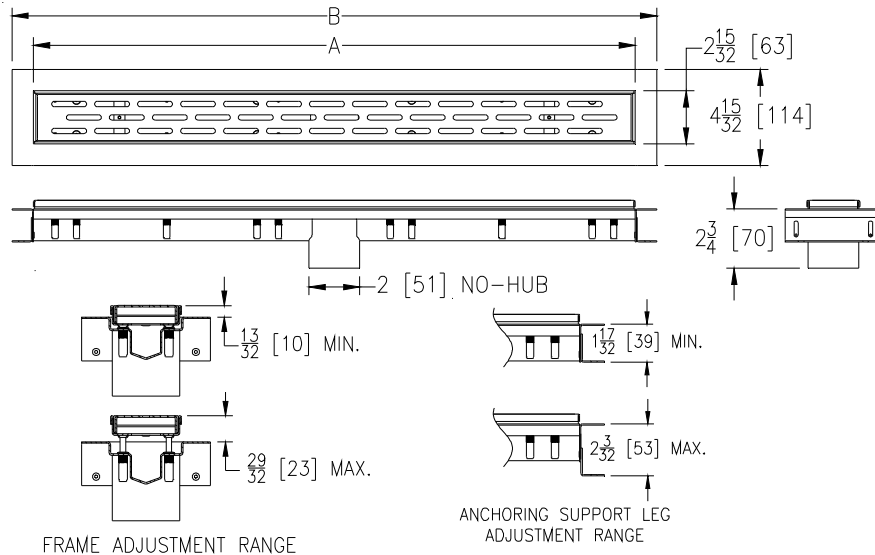


-DB Decorative Block Grate



-SG Serenity Grate

PREFIXES	DESCRIPTION	PRODUCT DESIG.	TRENCH LENGTH	LIST PRICE
ZS880*	Type 304 (CF8) Stainless Steel	-12	12"	POA
		-28	28"	POA
		-32	32"	POA
		-36	36"	POA
		-40	40"	POA
		-48	48"	POA
		-60	60"	POA
		-72	72"	POA
ZR880	Type 304 (CF8) Stainless Steel with Oil-Rubbed Bronze Finish	-12	12"	POA
		-28	28"	POA
		-32	32"	POA
		-36	36"	POA
		-40	40"	POA
		-48	48"	POA
		-60	60"	POA
		-72	72"	POA
OPTIONS				
STANDARD GRATE OPTIONS				ADD
-LS*	Linear Slotted			N/C
DECORATIVE GRATE OPTIONS				PRODUCT DESIG.
-BW	Basket Weave	-12, -28, -32, -36, -40, -48, -60, -72		POA
-DB	Decorative Block Grate	-12, -28, -32, -36, -40, -48, -60, -72		POA
-SG	Serenity Grate	-12, -28, -32, -36, -40, -48, -60, -72		POA
-TG	Tile Inlay Grate	-12, -28, -32, -36, -40, -48, -60, -72		POA
-WG	Slotted Wave Grate	-12, -28, -32, -36, -40, -48, -60, -72		POA
OUTLET ADAPTERS				ADD
-2	Two-Outlet Drain Body			POA
-2IP	2" [51mm] Female Threaded Outlet (Add Per Outlet Connection)			POA
-3	Three-Outlet Drain Body			POA
-CS	Straight Connector			POA
-C45	45 Degree Connector			POA
-C90	90 Degree Connector			POA
-EO	End Outlet			POA
-FS	Outlet Filter Screen			POA
-LB	Lower Drain Body			POA
-SO	2" [51mm] No-Hub Side Outlet (Add Per Outlet Connection)			POA



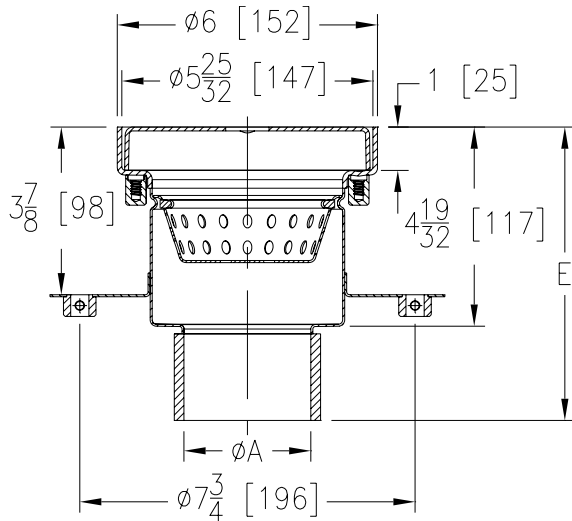
Z1800-6B 6" [152 MM] DIAMETER INDUSTRIAL FLOOR DRAIN 4-19/32" [117 MM] SUMP DEPTH



ENGINEERING SPECIFICATION

Zurn Z1800-6B 6" [152mm] diameter x 4-19/32" [117mm] deep, 18 gauge, all Type 304 (CF8) stainless steel, round, industrial floor drain features loose set, anti-tilt, medium-duty, perforated grate, reinforced top frame, perforated, removable sediment bucket with lift handle, pre-sloped bottom sump, and pre-pour stabilizing anchor tabs.

Dimensions in inches [mm]		Approximate Weight lb [kg]	Grate Open Area sq in [cm ²]
A Pipe Size inches [mm]	E Body Height Dimensions		
Butt-Weld (SCH 10) / No-Hub			
2 [51]	6-13/16 [173]	5 [2]	5.8 [37]
3 [76]	6-27/32 [174]		
4 [102]	6-25/32 [172]		



PREFIXES	DESCRIPTION	A PIPE SIZE	LIST PRICE
Z1800-6B*	Type 304 (CF8) Stainless Steel*	2", 3", 4"	POA
ZM1800-6B	Type 316 (CF8M) Stainless Steel	2", 3", 4"	POA

OUTLETS (SPECIFY PIPE SIZE IN INCHES AND TYPE OF OUTLET)

OUTLET TYPE	PIPE SIZE/ OUTLET TYPE	'E' BODY HT. DIM.	ADD
BW	Butt-Weld (SCH-10)	2BW	6-13/16" N/C
		3BW	6-27/32" N/C
		4BW	6-25/32" N/C
NH	No-Hub	2NH	6-13/16" N/C
		3NH	6-27/32" N/C
		4NH	6-25/32" N/C

SUFFIXES DESCRIPTION ADD

-KC	Anchor Flange with Seepage Holes and Clamp Collar	POA
-P	1/2" [13mm] Trap Primer Connection	POA
Ⓛ -SA	Stabilizer Assembly (See Z1035)	-
Ⓛ -SQ	Stabilizer Q-Deck (See Z1035-Q)	-
-TS	Top Secured Grate	POA
-2PT	2" [51mm] Stainless Steel P-Trap	POA
-3PT	3" [76mm] Stainless Steel P-Trap	POA
-4PT	4" [102mm] Stainless Steel P-Trap	POA

*Regularly furnished unless otherwise specified.

Ⓛ This symbol denotes a product that is engineered to reduce installation and rework time.

For additional product information, please visit www.zurn.com

INTRO
 ROOF DRAINS
 FLOOR DRAINS
 T, P, BW VALVES
 INTERCEPTORS
 CARRIERS
 HYDRANTS
 CLEANOUTS
 WHA
 SS DRAINS
 FAB SS DRAINS
 SANI-FLOOR
 TECH INFO

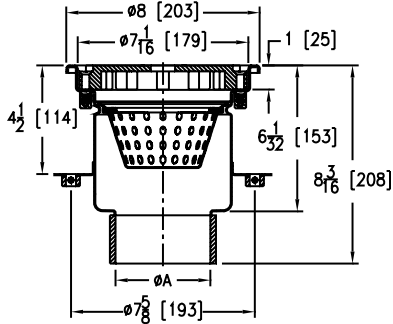
Z1800-8B 8" [203 MM] DIAMETER INDUSTRIAL FLOOR DRAIN 6" [152 MM] SUMP DEPTH



ENGINEERING SPECIFICATION

Zurn Z1800-8B 8" [203mm] diameter x 6" [152mm] deep, 18 gauge, all Type 304 (CF8) stainless steel, round, industrial floor drain features loose set, anti-tilt, heavy-duty, perimeter drainage cover, reinforced top frame, perforated, removable sediment bucket with lift handle, pre-sloped bottom sump, and pre-pour stabilizing anchor tabs.

A Pipe Size inches [mm]	Approximate Weight lb [kg]	Grate Open Area sq in [cm ²]
Butt-Weld (SCH 10) / No-Hub		
2 [51], 3 [76], 4 [102]	7 [3]	6.1 [39]



PREFIXES	DESCRIPTION	A PIPE SIZE	LIST PRICE
Z1800-8B*	Type 304 (CF8) Stainless Steel*	2", 3", 4"	POA
ZM1800-8B	Type 316 (CF8M) Stainless Steel	2", 3", 4"	POA
OUTLETS (SPECIFY PIPE SIZE IN INCHES AND TYPE OF OUTLET)			
OUTLET TYPE	PIPE SIZE/OUTLET TYPE		ADD
BW	Butt-Weld (SCH-10) 2BW, 3BW, 4BW		N/C
NH	No-Hub 2NH, 3NH, 4NH		N/C
GRATE OPTIONS	DESCRIPTION	ADD	
-GCH	Heavy-Duty Gas Tight Solid Cover	POA	
-PCX	Extra-Heavy-Duty Perimeter Drainage Cover (6.1 Sq. In. Open Area)	POA	
DEDUCT			
Ⓢ -PGM	Medium-Duty Perforated Grate (9.9 Sq. In. Open Area)	POA	
Ⓢ -SGH	Heavy-Duty Slotted Grate (11.2 Sq. In. Open Area)	POA	
-SGM	Medium-Duty Slotted Grate	POA	
SUFFIXES	DESCRIPTION	ADD	
-B	Bell Trap/Solid Sediment Bucket	POA	
-KC	Anchor Flange with Seepage Holes and Clamp Collar	POA	
-P	1/2" [13mm] Trap Primer Connection	POA	
-SA	Stabilizer Assembly (See Z1035)	-	
-SQ	Stabilizer Q-Deck (See Z1035-Q)	-	
-TS	Top Secured Grate	POA	
-2PT	2" [51mm] Stainless Steel P-Trap	POA	
-3PT	3" [76mm] Stainless Steel P-Trap	POA	
-4PT	4" [102mm] Stainless Steel P-Trap	POA	

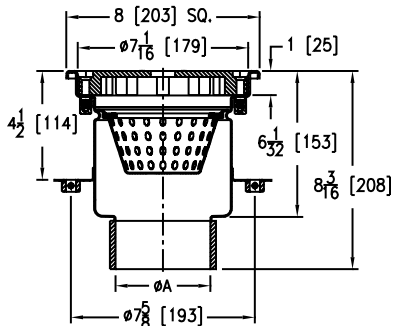
Z1800-8S 8" X 8" [203 MM X 203 MM] INDUSTRIAL FLOOR DRAIN 6" [152 MM] SUMP DEPTH



ENGINEERING SPECIFICATION

Zurn Z1800-8S 8" x 8" x 6" [203mm x 203mm x 152mm] deep, 18 gauge, all Type 304 (CF8) stainless steel, square, industrial floor drain features loose set, anti-tilt, heavy-duty, perimeter drainage cover, reinforced top frame, perforated, removable sediment bucket with lift handle, pre-sloped bottom sump, and pre-pour stabilizing anchor tabs.

A Pipe Size inches [mm]	Approximate Weight lb [kg]	Grate Open Area sq in [cm ²]
Butt-Weld (SCH 10) / No-Hub		
2 [51], 3 [76], 4 [102]	10 [5]	6.1 [39]



PREFIXES	DESCRIPTION	A PIPE SIZE	LIST PRICE
Z1800-8S*	Type 304 (CF8) Stainless Steel*	2", 3", 4"	POA
ZM1800-8S	Type 316 (CF8M) Stainless Steel	2", 3", 4"	POA
OUTLETS (SPECIFY PIPE SIZE IN INCHES AND TYPE OF OUTLET)			
OUTLET TYPE	PIPE SIZE/OUTLET TYPE		ADD
BW	Butt-Weld (SCH-10) 2BW, 3BW, 4BW		N/C
NH	No-Hub 2NH, 3NH, 4NH		N/C
GRATE OPTIONS	DESCRIPTION	ADD	
-GCH	Heavy-Duty Gas Tight Solid Cover	POA	
-PCX	Extra-Heavy-Duty Perimeter Drainage Cover (6.1 Sq. In. Open Area)	POA	
DEDUCT			
-PGM	Medium-Duty Perforated Grate (9.9 Sq. In. Open Area)	POA	
-SGH	Heavy-Duty Slotted Grate (11.2 Sq. In. Open Area)	POA	
-SGM	Medium-Duty Slotted Grate	POA	
SUFFIXES	DESCRIPTION	ADD	
-B	Bell Trap/Solid Sediment Bucket	POA	
-KC	Anchor Flange with Seepage Holes and Clamp Collar	POA	
-P	1/2" [13mm] Trap Primer Connection	POA	
Ⓢ -SA	Stabilizer Assembly (See Z1035)	-	
Ⓢ -SQ	Stabilizer Q-Deck (See Z1035-Q)	-	
-TS	Top Secured Grate	POA	
-VH	Vacuum Handle (-GCH Cover Only)	POA	
-2PT	2" [51mm] Stainless Steel P-Trap	POA	
-3PT	3" [76mm] Stainless Steel P-Trap	POA	
-4PT	4" [102mm] Stainless Steel P-Trap	POA	

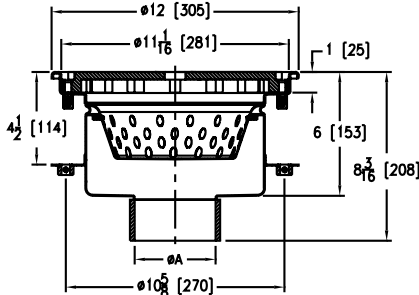
Z1800-12B 12" [305 MM] DIAMETER INDUSTRIAL FLOOR DRAIN 6" [152 MM] SUMP DEPTH



ENGINEERING SPECIFICATION

Zurn Z1800-12B 12" [305mm] diameter x 6" [152mm] deep, 18 gauge, all Type 304 (CF8) stainless steel, round, industrial floor drain features loose set, anti-tilt, extra heavy-duty, perimeter drainage cover, reinforced top frame, perforated, removable sediment bucket with lift handle, presloped bottom sump, and pre-pour stabilizing anchor tabs.

A Pipe Size inches [mm]	Approximate Weight lb [kg]	Grate Open Area sq in [cm ²]
Butt-Weld (SCH 10) / No-Hub		
3 [76], 4 [102], 6 [152]	17 [8]	9.7 [63]



PREFIXES	DESCRIPTION	A PIPE SIZE	LIST PRICE
Z1800-12B*	Type 304 (CF8) Stainless Steel*	3", 4", 6"	POA
ZM1800-12B	Type 316 (CF8M) Stainless Steel	3", 4", 6"	POA
OUTLETS (SPECIFY PIPE SIZE IN INCHES AND TYPE OF OUTLET)			
OUTLET TYPE	DESCRIPTION	PIPE SIZE/ OUTLET TYPE	ADD
BW	Butt-Weld (SCH-10)	3BW, 4BW, 6BW	N/C
NH	No-Hub	3NH, 4NH, 6NH	N/C
GRATE OPTIONS	DESCRIPTION		ADD
-GCX	Extra-Heavy-Duty Gas Tight Solid Cover		POA
-PCS	Special-Duty Perimeter Drainage Cover (9.7 Sq. In. Open Area)		POA
-PGM	Medium-Duty Perforated Grate (27.3 Sq. In. Open Area)		POA
DEDUCT			
-SGH	Heavy-Duty Slotted Grate (28.9 Sq. In. Open Area)		POA
-SGM	Medium-Duty Slotted Grate (28.9 Sq. In. Open Area)		POA
SUFFIXES	DESCRIPTION		ADD
-B	Bell Trap/Solid Sediment Bucket		POA
-KC	Anchor Flange with Seepage Holes and Clamp Collar		POA
-P	1/2" [13mm] Trap Primer Connection		POA
Ⓢ -SA	Stabilizer Assembly (3" [76mm] and 4" [102mm] Outlets Only) (See Z1036)		-
-TS	Top Secured Grate		POA
-VH	Vacuum Handle (-GCX Cover Only)		POA
-3PT	3" [76mm] Stainless Steel P-Trap		POA
-4PT	4" [102mm] Stainless Steel P-Trap		POA
-6PT	6" [152mm] Stainless Steel P-Trap		POA

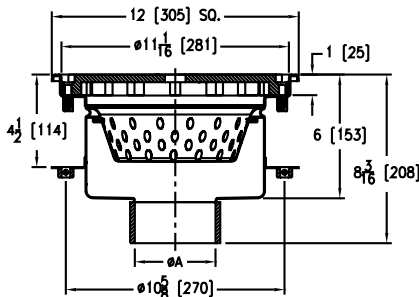
Z1800-12S 12" X 12" [305 MM X 305 MM] INDUSTRIAL FLOOR DRAIN 6" [152 MM] SUMP DEPTH



ENGINEERING SPECIFICATION

Zurn Z1800-12S 12" x 12" x 6" [305mm x 305mm x 152mm] deep, 18 gauge, all Type 304 (CF8) stainless steel, square, industrial floor drain features loose set, anti-tilt, extra heavy-duty, perimeter drainage cover, reinforced top frame, perforated, removable sediment bucket with lift handle, pre-sloped bottom sump, and pre-pour stabilizing anchor tabs.

A Pipe Size inches [mm]	Approximate Weight lb [kg]	Grate Open Area sq in [cm ²]
Butt-Weld (SCH 10) / No-Hub		
3 [76], 4 [102], 6 [152]	20 [9]	9.7 [63]



PREFIXES	DESCRIPTION	A PIPE SIZE	LIST PRICE
Z1800-12S*	Type 304 (CF8) Stainless Steel*	3", 4", 6"	POA
ZM1800-12S	Type 316 (CF8M) Stainless Steel	3", 4", 6"	POA
OUTLETS (SPECIFY PIPE SIZE IN INCHES AND TYPE OF OUTLET)			
OUTLET TYPE	DESCRIPTION	PIPE SIZE/ OUTLET TYPE	ADD
BW	Butt-Weld (SCH-10)	3BW, 4BW, 6BW	N/C
NH	No-Hub	3NH, 4NH, 6NH	N/C
GRATE OPTIONS	DESCRIPTION		ADD
-GCX	Extra-Heavy-Duty Gas Tight Solid Cover		POA
-PCS	Special-Duty Perimeter Drainage Cover (9.7 Sq. In. Open Area)		POA
-PGM	Medium-Duty Perforated Grate (27.3 Sq. In. Open Area)		POA
DEDUCT			
-SGH	Heavy-Duty Slotted Grate (28.9 Sq. In. Open Area)		POA
-SGM	Medium-Duty Slotted Grate (28.9 Sq. In. Open Area)		POA
SUFFIXES	DESCRIPTION		ADD
-B	Bell Trap/Solid Sediment Bucket		POA
-KC	Anchor Flange with Seepage Holes and Clamp Collar		POA
-P	1/2" [13mm] Trap Primer Connection		POA
Ⓢ -SA	Stabilizer Assembly (3" [76mm] and 4" [102mm] Outlets Only) (See Z1036)		-
-TS	Top Secured Grate		POA
-VH	Vacuum Handle (-GCX Cover Only)		POA
-3PT	3" [76mm] Stainless Steel P-Trap		POA
-4PT	4" [102mm] Stainless Steel P-Trap		POA
-6PT	6" [152mm] Stainless Steel P-Trap		POA

*Regularly furnished unless otherwise specified.

Ⓢ This symbol denotes a product that is engineered to reduce installation and rework time.

For additional product information, please visit www.zurn.com

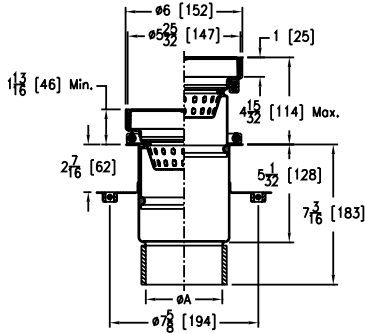
Z1810-6B 6" [152 MM] DIAMETER ADJUSTABLE INDUSTRIAL FLOOR DRAIN



ENGINEERING SPECIFICATION

Zurn Z1810-6B 6" [152mm] diameter, 18 gauge, all Type 304 (CF8) stainless steel, round, industrial floor drain features loose set, anti-tilt, medium-duty, perforated grate, adjustable reinforced top frame with O-ring seal and securing clamp, perforated, removable sediment bucket with lift handle, pre-sloped bottom sump, and pre-pour stabilizing anchor tabs.

A Pipe Size inches [mm]	Approximate Weight lb [kg]	Grate Open Area sq in [cm ²]
Butt-Weld (SCH 10) / No-Hub		
2 [51], 3 [76], 4 [102]	6 [3]	5.8 [37]



PREFIXES	DESCRIPTION	A PIPE SIZE	LIST PRICE
Z1810-6B*	Type 304 (CF8) Stainless Steel*	2", 3", 4"	POA
ZM1810-6B	Type 316 (CF8M) Stainless Steel	2", 3", 4"	POA
OUTLETS (SPECIFY PIPE SIZE IN INCHES AND TYPE OF OUTLET)			
OUTLET TYPE	PIPE SIZE / OUTLET TYPE		ADD
BW	Butt-Weld (SCH-10) 2BW, 3BW, 4BW		N/C
NH	No-Hub 2NH, 3NH, 4NH		N/C
SUFFIXES	DESCRIPTION	ADD	
-KC	Anchor Flange with Seepage Holes and Clamp Collar	POA	
-P	1/2" [13mm] Trap Primer Connection	POA	
Ⓢ -SA	Stabilizer Assembly (See Z1035)	-	
Ⓢ -SQ	Stabilizer Q-Deck (See Z1035-Q)	-	
-TS	Top Secured Grate	POA	
-2PT	2" [51mm] Stainless Steel P-Trap	POA	
-3PT	3" [76mm] Stainless Steel P-Trap	POA	
-4PT	4" [102mm] Stainless Steel P-Trap	POA	

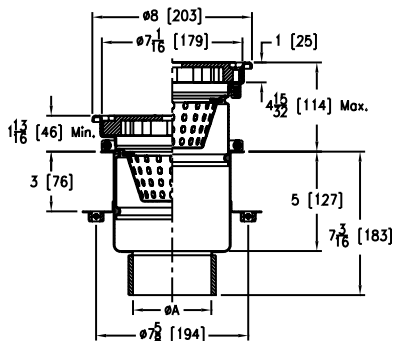
Z1810-8B 8" [203 MM] DIAMETER ADJUSTABLE INDUSTRIAL FLOOR DRAIN



ENGINEERING SPECIFICATION

Zurn Z1810-8B 8" [203mm] diameter, 18 gauge, all Type 304 (CF8) stainless steel, round, industrial floor drain features loose set, anti-tilt, heavy-duty, perimeter drainage cover, adjustable reinforced top frame with O-ring seal and securing clamp, perforated, removable sediment bucket with lift handle, pre-sloped bottom sump, and pre-pour stabilizing anchor tabs.

A Pipe Size inches [mm]	Approximate Weight lb [kg]	Grate Open Area sq in [cm ²]
Butt-Weld (SCH 10) / No-Hub		
2 [51], 3 [76], 4 [102]	8 [4]	6.1 [39]



PREFIXES	DESCRIPTION	A PIPE SIZE	LIST PRICE
Z1810-8B*	Type 304 (CF8) Stainless Steel*	2", 3", 4"	POA
ZM1810-8B	Type 316 (CF8M) Stainless Steel	2", 3", 4"	POA
OUTLETS (SPECIFY PIPE SIZE IN INCHES AND TYPE OF OUTLET)			
OUTLET TYPE	PIPE SIZE / OUTLET TYPE		ADD
BW	Butt-Weld (SCH-10) 2BW, 3BW, 4BW		N/C
NH	No-Hub 2NH, 3NH, 4NH		N/C
GRATE OPTIONS	DESCRIPTION	ADD	
-GCH	Heavy-Duty Gas Tight Solid Cover	POA	
-PCX	Extra-Heavy-Duty Perimeter Drainage Cover (6.1 Sq. In. Open Area)	POA	
DEDUCT			
-PGM	Medium-Duty Perforated Grate (9.9 Sq. In. Open Area)	POA	
-SGH	Heavy-Duty Slotted Grate (11.2 Sq. In. Open Area)	POA	
-SGM	Medium-Duty Slotted Grate (11.2 Sq. In. Open Area)	POA	
SUFFIXES	DESCRIPTION	ADD	
-B	Bell Trap/Solid Sediment Bucket	POA	
-KC	Anchor Flange with Seepage Holes and Clamp Collar	POA	
-P	1/2" [13mm] Trap Primer Connection	POA	
Ⓢ -SA	Stabilizer Assembly (See Z1035)	-	
Ⓢ -SQ	Stabilizer Q-Deck (See Z1035-Q)	-	
-TS	Top Secured Grate	POA	
-VH	Vacuum Handle (-GCH Cover Only)	POA	
-2PT	2" [51mm] Stainless Steel P-Trap	POA	
-3PT	3" [76mm] Stainless Steel P-Trap	POA	
-4PT	4" [102mm] Stainless Steel P-Trap	POA	

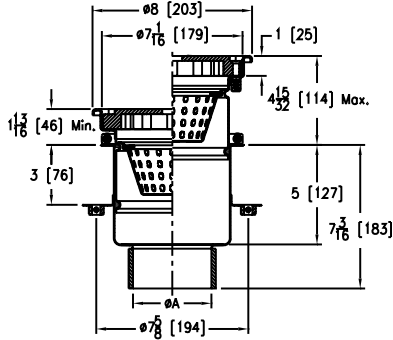
Z1810-8S 8" X 8" [203 MM X 203 MM] ADJUSTABLE INDUSTRIAL FLOOR DRAIN



ENGINEERING SPECIFICATION

Zurn Z1810-8S 8" x 8" [203mm x 203mm], 18 gauge, all Type 304 (CF8) stainless steel, industrial floor drain features loose set, anti-tilt, heavy-duty, perimeter drainage cover, adjustable reinforced top frame with O-ring seal and securing clamp, perforated, removable sediment bucket with lift handle, pre-sloped bottom sump, and pre-pour stabilizing anchor tabs.

A Pipe Size inches [mm]	Approximate Weight lb [kg]	Grate Open Area sq in [cm ²]
Butt-Weld (SCH 10) / No-Hub		
2 [51], 3 [76], 4 [102]	10 [5]	6.1 [39]



PREFIXES	DESCRIPTION	A PIPE SIZE	LIST PRICE
Z1810-8S*	Type 304 (CF8) Stainless Steel*	2", 3", 4"	POA
ZM1810-8S	Type 316 (CF8M) Stainless Steel	2", 3", 4"	POA
OUTLETS (SPECIFY PIPE SIZE IN INCHES AND TYPE OF OUTLET)			
OUTLET TYPE		PIPE SIZE/ OUTLET TYPE	ADD
BW	Butt-Weld (SCH-10)	2BW, 3BW, 4BW	N/C
NH	No-Hub	2NH, 3NH, 4NH	N/C
GRATE OPTIONS	DESCRIPTION		ADD
-GCH	Heavy-Duty Gas Tight Solid Cover		POA
-PCX	Extra-Heavy-Duty Perimeter Drainage Cover (6.1 Sq. In. Open Area)		POA
DEDUCT			
-PGM	Medium-Duty Perforated Grate (9.9 Sq. In. Open Area)		POA
-SGH	Heavy-Duty Slotted Grate (11.2 Sq. In. Open Area)		POA
-SGM	Medium-Duty Slotted Grate (11.2 Sq. In. Open Area)		POA
SUFFIXES	DESCRIPTION		ADD
-B	Bell Trap/Solid Sediment Bucket		POA
-KC	Anchor Flange with Seepage Holes and Clamp Collar		POA
-P	1/2" [13mm] Trap Primer Connection		POA
Ⓛ -SA	Stabilizer Assembly (See Z1035)		-
Ⓛ -SQ	Stabilizer Q-Deck (See Z1035-Q)		-
-TS	Top Secured Grate		POA
-VH	Vacuum Handle (-GCH Cover Only)		POA
-2PT	2" [51mm] Stainless Steel P-Trap		POA
-3PT	3" [76mm] Stainless Steel P-Trap		POA
-4PT	4" [102mm] Stainless Steel P-Trap		POA

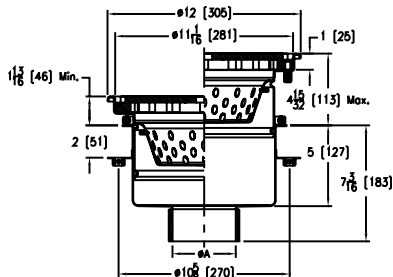
Z1810-12B 12" [305 MM] DIAMETER ADJUSTABLE INDUSTRIAL FLOOR DRAIN



ENGINEERING SPECIFICATION

Zurn Z1810-12B 12" [305mm] diameter, 18 gauge, all Type 304 (CF8) stainless steel, round, industrial floor drain features loose set, anti-tilt, extra heavy-duty, perimeter drainage cover, adjustable reinforced top frame with O-ring seal and securing clamp, perforated, removable sediment bucket with lift handle, pre-sloped bottom sump, and pre-pour stabilizing anchor tabs.

A Pipe Size inches [mm]	Approximate Weight lb [kg]	Grate Open Area sq in [cm ²]
Butt-Weld (SCH 10) / No-Hub		
3 [76], 4 [102], 6 [152]	18 [8]	9.7 [63]



PREFIXES	DESCRIPTION	A PIPE SIZE	LIST PRICE
Z1810-12B*	Type 304 (CF8) Stainless Steel*	3", 4", 6"	POA
ZM1810-12B	Type 316 (CF8M) Stainless Steel	3", 4", 6"	POA
OUTLETS (SPECIFY PIPE SIZE IN INCHES AND TYPE OF OUTLET)			
OUTLET TYPE		PIPE SIZE/ OUTLET TYPE	ADD
BW	Butt-Weld (SCH-10)	3BW, 4BW, 6BW	N/C
NH	No-Hub	3NH, 4NH, 6NH	N/C
GRATE OPTIONS	DESCRIPTION		ADD
-GCH	Heavy-Duty Gas Tight Solid Cover		POA
-PCX	Extra-Heavy-Duty Perimeter Drainage Cover (6.1 Sq. In. Open Area)		POA
DEDUCT			
-PGM	Medium-Duty Perforated Grate (9.9 Sq. In. Open Area)		POA
-SGH	Heavy-Duty Slotted Grate (11.2 Sq. In. Open Area)		POA
-SGM	Medium-Duty Slotted Grate (11.2 Sq. In. Open Area)		POA
SUFFIXES	DESCRIPTION		ADD
-B	Bell Trap/Solid Sediment Bucket		POA
-KC	Anchor Flange with Seepage Holes and Clamp Collar		POA
-P	1/2" [13mm] Trap Primer Connection		POA
Ⓛ -SA	Stabilizer Assembly (See Z1035)		-
-TS	Top Secured Grate		POA
-VH	Vacuum Handle (-GCX Cover Only)		POA
-3PT	3" [76mm] Stainless Steel P-Trap		POA
-4PT	4" [102mm] Stainless Steel P-Trap		POA
-6PT	6" [152mm] Stainless Steel P-Trap		POA

*Regularly furnished unless otherwise specified.

Ⓛ This symbol denotes a product that is engineered to reduce installation and rework time.

For additional product information, please visit www.zurn.com

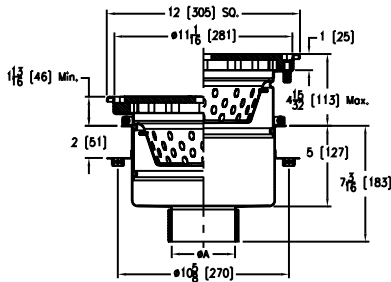
Z1810-12S 12" X 12" [305 MM X 305 MM] ADJUSTABLE INDUSTRIAL FLOOR DRAIN



ENGINEERING SPECIFICATION

Zurn Z1810-12S 12" x 12" [305mm x 305mm], 18 gauge, all Type 304 (CF8) stainless steel, industrial floor drain features loose set, anti-tilt, extra heavy-duty, perimeter drainage cover, adjustable reinforced top frame with O-ring seal and securing clamp, perforated, removable sediment bucket with lift handle, pre-sloped bottom sump, and pre-pour stabilizing anchor tabs.

A Pipe Size inches [mm]	Approximate Weight lb [kg]	Grate Open Area sq in [cm ²]
Butt-Weld (SCH 10) / No-Hub		
3 [76], 4 [102], 6 [152]	21 [10]	9.7 [63]



PREFIXES	DESCRIPTION	A PIPE SIZE	LIST PRICE
Z1810-12S*	Type 304 (CF8) Stainless Steel*	3", 4", 6"	POA
ZM1810-12S	Type 316 (CF8M) Stainless Steel	3", 4", 6"	POA
OUTLETS (SPECIFY PIPE SIZE IN INCHES AND TYPE OF OUTLET)			
OUTLET TYPE	PIPE SIZE/OUTLET TYPE		ADD
BW	Butt-Weld (SCH-10)	3BW, 4BW, 6BW	N/C
NH	No-Hub	3NH, 4NH, 6NH	N/C
GRATE OPTIONS	DESCRIPTION	ADD	
-GCX	Extra-Heavy-Duty Gas Tight Solid Cover	POA	
-PCS	Special-Duty Perimeter Drainage Cover (9.7 Sq. In. Open Area)	POA	
-PGM	Medium-Duty Perforated Grate (27.3 Sq. In. Open Area)	POA	
DEDUCT			
-SGH	Heavy-Duty Slotted Grate (28.9 Sq. In. Open Area)	POA	
-SGM	Medium-Duty Slotted Grate (28.9 Sq. In. Open Area)	POA	
SUFFIXES	DESCRIPTION	ADD	
-B	Bell Trap/Solid Sediment Bucket	POA	
-KC	Anchor Flange with Seepage Holes and Clamp Collar	POA	
-P	1/2" [13mm] Trap Primer Connection	POA	
⌚ -SA	Stabilizer Assembly (See Z1035)	-	
-TS	Top Secured Grate	POA	
-VH	Vacuum Handle (-GCX Cover Only)	POA	
-3PT	3" [76mm] Stainless Steel P-Trap	POA	
-4PT	4" [102mm] Stainless Steel P-Trap	POA	
-6PT	6" [152mm] Stainless Steel P-Trap	POA	

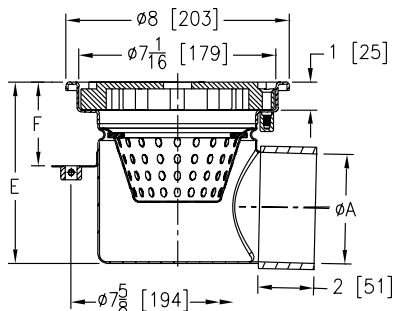
Z1820-8B 8" [203 MM] DIAMETER INDUSTRIAL FLOOR DRAIN WITH SIDE OUTLET



ENGINEERING SPECIFICATION

Zurn Z1820-8B 8" [203mm] diameter, 18 gauge, all Type 304 (CF8) stainless steel, round, industrial floor drain features 1.25° pre-sloped side outlet, loose set, anti-tilt, heavy-duty, perimeter drainage cover, reinforced top frame, perforated, removable sediment bucket with lift handle, and pre-pour stabilizing anchor tabs.

Dimensions in inches [mm]			Approximate Weight lb [kg]	Grate Open Area sq in [cm ²]
A Pipe Size	E Body Height Dimensions	F		
Butt-Weld (SCH 10) / No-Hub				
2 [51], 3 [76]	6-1/2 [165]	3-1/2 [89]	7 [3]	6.1 [39]
4 [102]	6-1/2 [165]	3 [76]		



PREFIXES	DESCRIPTION	A PIPE SIZE	LIST PRICE
Z1820-8B*	Type 304 (CF8) Stainless Steel*	2", 3", 4"	POA
ZM1820-8B	Type 316 (CF8M) Stainless Steel	2", 3", 4"	POA
OUTLETS (SPECIFY PIPE SIZE IN INCHES AND TYPE OF OUTLET)			
OUTLET TYPE	PIPE SIZE/OUTLET TYPE	'E' BODY HT. DIM.	ADD
BW	Butt-Weld (SCH-10)	2BW, 3BW, 4BW	6-1/2"
NH	No-Hub	2NH, 3NH, 4NH	6-1/2"
GRATE OPTIONS	DESCRIPTION	ADD	
-GCH	Heavy-Duty Gas Tight Solid Cover	POA	
-PCX	Extra-Heavy-Duty Perimeter Drainage Cover (6.1 Sq. In. Open Area)	POA	
DEDUCT			
-PGM	Medium-Duty Perforated Grate (9.9 Sq. In. Open Area)	POA	
-SGH	Heavy-Duty Slotted Grate (11.2 Sq. In. Open Area)	POA	
-SGM	Medium-Duty Slotted Grate (11.2 Sq. In. Open Area)	POA	
SUFFIXES	DESCRIPTION	ADD	
-B	Bell Trap/Solid Sediment Bucket	POA	
-P	1/2" [13mm] Trap Primer Connection	POA	
⌚ -SA	Stabilizer Assembly (See Z1035)	-	
⌚ -SQ	Stabilizer Q-Deck (See Z1035-Q)	-	
-TS	Top Secured Grate	POA	
-VH	Vacuum Handle (-GCH Cover Only)	POA	
-2PT	2" [51mm] Stainless Steel P-Trap	POA	
-3PT	3" [76mm] Stainless Steel P-Trap	POA	
-4PT	4" [102mm] Stainless Steel P-Trap	POA	

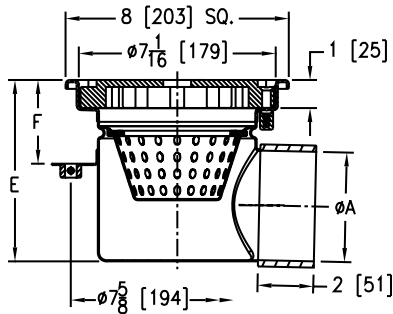
Z1820-8S 8" X 8" [203 MM X 203 MM] INDUSTRIAL FLOOR DRAIN WITH SIDE OUTLET



ENGINEERING SPECIFICATION

Zurn Z1820-8S 8" x 8" [203mm x 203mm], 18 gauge, all Type 304 (CF8) stainless steel, industrial floor drain features 1.25° pre-sloped side outlet, loose set, anti-tilt, heavy-duty, perimeter drainage cover, reinforced top frame, perforated, removable sediment bucket with lift handle, and pre-pour stabilizing anchor tabs.

Dimensions in inches [mm]			Approximate Weight lb [kg]
A Pipe Size	E Body Height Dimensions	F	
Butt-Weld (SCH 10) / No-Hub			
2 [51], 3 [76]	6 [152]	3-1/2 [89]	10 [5]
4 [102]	6-1/2 [165]	3 [76]	



PREFIXES	DESCRIPTION	A PIPE SIZE	LIST PRICE	
Z1820-8S*	Type 304 (CF8) Stainless Steel*	2", 3", 4"	POA	
ZM1820-8S	Type 316 (CF8M) Stainless Steel	2", 3", 4"	POA	
OUTLETS (SPECIFY PIPE SIZE IN INCHES AND TYPE OF OUTLET)				
OUTLET TYPE		PIPE SIZE/ OUTLET TYPE	'E' BODY HT. DIM.	ADD
BW	Butt-Weld (SCH-10)	2BW, 3BW	6"	N/C
		4BW	6-1/2"	N/C
NH	No-Hub	2NH, 3NH	6"	N/C
		4NH	6-1/2"	N/C
GRATE OPTIONS	DESCRIPTION		ADD	
-GCH	Heavy-Duty Gas Tight Solid Cover		POA	
-PCX	Extra-Heavy-Duty Perimeter Drainage Cover (6.1 Sq. In. Open Area)		POA	
DEDUCT				
-PGM	Medium-Duty Perforated Grate (9.9 Sq. In. Open Area)		POA	
-SGH	Heavy-Duty Slotted Grate (11.2 Sq. In. Open Area)		POA	
-SGM	Medium-Duty Slotted Grate (11.2 Sq. In. Open Area)		POA	
SUFFIXES	DESCRIPTION		ADD	
-B	Bell Trap/Solid Sediment Bucket		POA	
-P	1/2" [13mm] Trap Primer Connection		POA	
Ⓛ -SA	Stabilizer Assembly (See Z1035)		-	
Ⓛ -SQ	Stabilizer Q-Deck (See Z1035-Q)		-	
-TS	Top Secured Grate		POA	
-VH	Vacuum Handle (-GCH Cover Only)		POA	

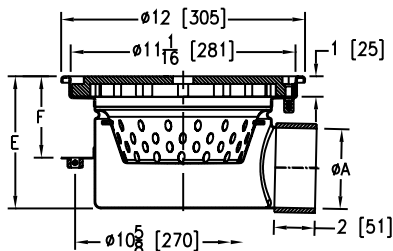
Z1820-12B 12" [305 MM] DIAMETER INDUSTRIAL FLOOR DRAIN WITH SIDE OUTLET



ENGINEERING SPECIFICATION

Zurn Z1820-12B 12" [305mm] diameter, 18 gauge, all Type 304 (CF8) stainless steel, round, industrial floor drain features 1.25° pre-sloped side outlet, loose set, anti-tilt, extra heavy-duty, perimeter drainage cover, reinforced top frame, perforated, removable sediment bucket with lift handle, and pre-pour stabilizing anchor tabs.

Dimensions in inches [mm]				Approximate Weight lb [kg]	Grate Open Area sq in [cm²]
A Pipe Size	E Body Height Dimensions	F			
Butt-Weld (SCH 10) / No-Hub					
3 [76]	6 [152]	4 [102]	17 [8]	9.7 [63]	
4 [102]	6-1/2 [165]				
6 [152]	8-1/2 [216]	7-1/2 [191]			



PREFIXES	DESCRIPTION	A PIPE SIZE	LIST PRICE	
Z1820-12B*	Type 304 (CF8) Stainless Steel*	3", 4", 6"	POA	
ZM1820-12B	Type 316 (CF8M) Stainless Steel	3", 4", 6"	POA	
OUTLETS (SPECIFY PIPE SIZE IN INCHES AND TYPE OF OUTLET)				
OUTLET TYPE		PIPE SIZE/ OUTLET TYPE	ADD	
BW	Butt-Weld (SCH-10)	3BW	6"	N/C
		4BW	6-1/2"	N/C
		6BW	8-1/2"	N/C
NH	No-Hub	3NH	6"	N/C
		4NH	6-1/2"	N/C
		6NH	8-1/2"	N/C
GRATE OPTIONS	DESCRIPTION		ADD	
-GCX	Extra-Heavy-Duty Gas Tight Solid Cover		POA	
-PCS	Special-Duty Perimeter Drainage Cover (9.7 Sq. In. Open Area)		POA	
-PGM	Medium-Duty Perforated Grate (27.3 Sq. In. Open Area)		N/C	
DEDUCT				
-SGH	Heavy-Duty Slotted Grate (28.9 Sq. In. Open Area)		POA	
-SGM	Medium-Duty Slotted Grate (28.9 Sq. In. Open Area)		POA	
SUFFIXES	DESCRIPTION		ADD	
-B	Bell Trap/Solid Sediment Bucket		POA	
-P	1/2" [13mm] Trap Primer Connection		POA	
Ⓛ -SA	Stabilizer Assembly (See Z1035)		-	
-TS	Top Secured Grate		POA	
-VH	Vacuum Handle (-GCX Cover Only)		POA	

*Regularly furnished unless otherwise specified.

Ⓛ This symbol denotes a product that is engineered to reduce installation and rework time.

For additional product information, please visit www.zurn.com

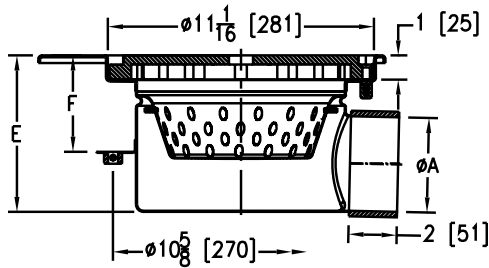
Z1820-12S 12" X 12" [305 MM X 305 MM] INDUSTRIAL FLOOR DRAIN WITH SIDE OUTLET



ENGINEERING SPECIFICATION

Zurn Z1820-12S 12" x 12" [305mm x 305mm], 18 gauge, all Type 304 (CF8) stainless steel, industrial floor drain features 1.25° pre-sloped side outlet, loose set, anti-tilt, extra heavy-duty, perimeter drainage cover, reinforced top frame, perforated, removable sediment bucket with lift handle, and pre-pour stabilizing anchor tabs.

A Pipe Size	E Body Height Dimensions	F	Approximate Weight lb [kg]	Grate Open Area sq in [cm ²]
Butt-Weld (SCH 10) / No-Hub				
3 [76]	6 [152]	4 [102]	20 [9]	9.7 [63]
4 [102]	6-1/2 [165]			
6 [152]	8-1/2 [216]			



PREFIXES	DESCRIPTION	A PIPE SIZE	LIST PRICE
Z1820-12S*	Type 304 (CF8) Stainless Steel*	3", 4", 6"	POA
ZM1820-12S	Type 316 (CF8M) Stainless Steel	3", 4", 6"	POA
OUTLETS (SPECIFY PIPE SIZE IN INCHES AND TYPE OF OUTLET)			
OUTLET TYPE		PIPE SIZE/ OUTLET TYPE	ADD
BW	Butt-Weld (SCH-10)	3BW 6"	N/C
		4BW 6-1/2"	N/C
		6BW 8-1/2"	N/C
NH	No-Hub	3NH 6"	N/C
		4NH 6-1/2"	N/C
		6NH 8-1/2"	N/C
GRATE OPTIONS	DESCRIPTION	ADD	
-GCX	Extra-Heavy-Duty Gas Tight Solid Cover	POA	
-PCS	Special-Duty Perimeter Drainage Cover (9.7 Sq. In. Open Area)	POA	
-PGM	Medium-Duty Perforated Grate (27.3 Sq. In. Open Area)	POA	
DEDUCT			
-SGH	Heavy-Duty Slotted Grate (28.9 Sq. In. Open Area)	POA	
-SGM	Medium-Duty Slotted Grate (28.9 Sq. In. Open Area)	POA	
SUFFIXES	DESCRIPTION	ADD	
-B	Bell Trap/Solid Sediment Bucket	POA	
-P	1/2" [13mm] Trap Primer Connection	POA	
Ⓛ-SA	Stabilizer Assembly (See Z1035)	-	
-TS	Top Secured Grate	POA	
-VH	Vacuum Handle (-GCX Cover Only)	POA	

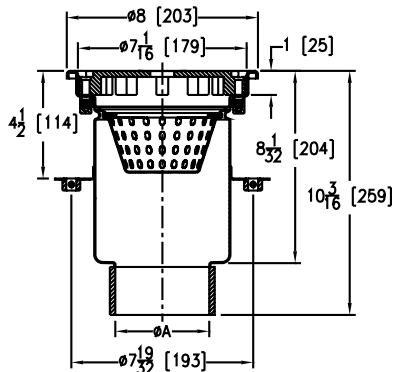
Z1830-8B 8" [203 MM] DIAMETER INDUSTRIAL FLOOR DRAIN 8" [203 MM] SUMP DEPTH



ENGINEERING SPECIFICATION

Zurn Z1830-8B 8" [203mm] diameter x 8" [203mm] deep, 18 gauge, all Type 304 (CF8) stainless steel, round, industrial floor drain features loose set, anti-tilt, heavy-duty, perimeter drainage cover, reinforced top frame, perforated, removable sediment bucket with lift handle, pre-sloped bottom sump, and pre-pour stabilizing anchor tabs.

A Pipe Size	Approximate Weight lb [kg]	Grate Open Area sq in [cm ²]
Butt-Weld (SCH 10) / No-Hub		
2 [51], 3 [76], 4 [102]	8 [4]	6.1 [39]



PREFIXES	DESCRIPTION	A PIPE SIZE	LIST PRICE
Z1830-8B*	Type 304 (CF8) Stainless Steel*	2", 3", 4"	POA
ZM1830-8B	Type 316 (CF8M) Stainless Steel	2", 3", 4"	POA
OUTLETS (SPECIFY PIPE SIZE IN INCHES AND TYPE OF OUTLET)			
OUTLET TYPE		PIPE SIZE/ OUTLET TYPE	ADD
BW	Butt-Weld (SCH-10)	2BW, 3BW, 4BW	N/C
NH	No-Hub	2NH, 3NH, 4NH	N/C
GRATE OPTIONS	DESCRIPTION	ADD	
-GCH	Heavy-Duty Gas Tight Solid Cover	POA	
-PCX	Extra-Heavy-Duty Perimeter Drainage Cover (6.1 Sq. In. Open Area)	POA	
DEDUCT			
-PGM	Medium-Duty Perforated Grate (9.9 Sq. In. Open Area)	POA	
-SGH	Heavy-Duty Slotted Grate (11.2 Sq. In. Open Area)	POA	
-SGM	Medium-Duty Slotted Grate (11.2 Sq. In. Open Area)	POA	
SUFFIXES	DESCRIPTION	ADD	
-B	Bell Trap/Solid Sediment Bucket	POA	
-KC	Anchor Flange with Seepage Holes and Clamp Collar	POA	
-P	1/2" [13mm] Trap Primer Connection	POA	
-TS	Top Secured Grate	POA	
-VH	Vacuum Handle (-GCH Cover Only)	POA	
-2PT	2" [51mm] Stainless Steel P-Trap	POA	
-3PT	3" [76mm] Stainless Steel P-Trap	POA	
-4PT	4" [102mm] Stainless Steel P-Trap	POA	

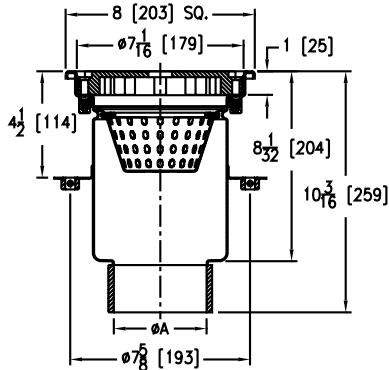
Z1830-8S 8" X 8" [203 MM X 203 MM] DIAMETER INDUSTRIAL FLOOR DRAIN 8" [203 MM] SUMP DEPTH



ENGINEERING SPECIFICATION

Zurn Z1830-8S 8" x 8" [203mm x 203mm] diameter x 8" [203mm] deep, 18 gauge, all Type 304 (CF8) stainless steel, square, industrial floor drain features loose set, anti-tilt, heavy-duty, perimeter drainage cover, reinforced top frame, perforated, removable sediment bucket with lift handle, pre-sloped bottom sump, and pre-pour stabilizing anchor tabs.

A Pipe Size inches [mm]	Approximate Weight lb [kg]	Grate Open Area sq in [cm ²]
Butt-Weld (SCH 10) / No-Hub		
2 [51], 3 [76], 4 [102]	11 [5]	6.1 [39]



PREFIXES	DESCRIPTION	A PIPE SIZE	LIST PRICE
Z1830-8S*	Type 304 (CF8) Stainless Steel*	2", 3", 4"	POA
ZM1830-8S	Type 316 (CF8M) Stainless Steel	2", 3", 4"	POA

OUTLETS (SPECIFY PIPE SIZE IN INCHES AND TYPE OF OUTLET)			
OUTLET TYPE	PIPE SIZE/OUTLET TYPE		ADD
BW	Butt-Weld (SCH-10)	2BW, 3BW, 4BW	N/C
NH	No-Hub	2NH, 3NH, 4NH	N/C

GRATE OPTIONS	DESCRIPTION	ADD
-GCH	Heavy-Duty Gas Tight Solid Cover	POA
-PCX	Extra-Heavy-Duty Perimeter Drainage Cover (6.1 Sq. In. Open Area)	POA

DEDUCT		
-PGM	Medium-Duty Perforated Grate (9.9 Sq. In. Open Area)	POA
-SGH	Heavy-Duty Slotted Grate (11.2 Sq. In. Open Area)	POA
-SGM	Medium-Duty Slotted Grate (11.2 Sq. In. Open Area)	POA

SUFFIXES	DESCRIPTION	ADD
-B	Bell Trap/Solid Sediment Bucket	POA
-KC	Anchor Flange with Seepage Holes and Clamp Collar	POA
-P	1/2" [13mm] Trap Primer Connection	POA
Ⓛ -SA	Stabilizer Assembly (See Z1035)	-
Ⓛ -SQ	Stabilizer Q-Deck (See Z1035-Q)	-
-TS	Top Secured Grate	POA
-VH	Vacuum Handle (-GCH Cover Only)	POA
-2PT	2" [51mm] Stainless Steel P-Trap	POA
-3PT	3" [76mm] Stainless Steel P-Trap	POA
-4PT	4" [102mm] Stainless Steel P-Trap	POA

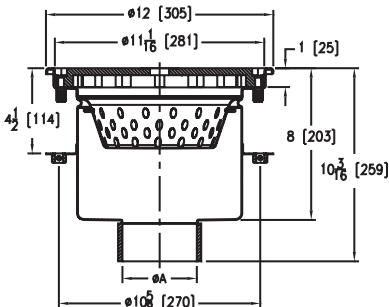
Z1830-12B 12" [305 MM] DIAMETER INDUSTRIAL FLOOR DRAIN 8" [203 MM] SUMP DEPTH



ENGINEERING SPECIFICATION

Zurn Z1830-12B 12" [305mm] diameter x 8" [203mm] deep, 18 gauge, all Type 304 (CF8) stainless steel, round, industrial floor drain features loose set, anti-tilt, extra heavy-duty, perimeter drainage cover, reinforced top frame, perforated, removable sediment bucket with lift handle, presloped bottom sump, and pre-pour stabilizing anchor tabs.

A Pipe Size inches [mm]	Approximate Weight lb [kg]	Grate Open Area sq in [cm ²]
Butt-Weld (SCH 10) / No-Hub		
3 [76], 4 [102], 6 [152]	18 [8]	9.7 [63]



PREFIXES	DESCRIPTION	A PIPE SIZE	LIST PRICE
Z1830-12B*	Type 304 (CF8) Stainless Steel*	3", 4", 6"	POA
ZM1830-12B	Type 316 (CF8M) Stainless Steel	3", 4", 6"	POA

OUTLETS (SPECIFY PIPE SIZE IN INCHES AND TYPE OF OUTLET)			
OUTLET TYPE	PIPE SIZE/OUTLET TYPE		ADD
BW	Butt-Weld (SCH-10)	3BW, 4BW, 6BW	N/C
NH	No-Hub	3NH, 4NH, 6NH	N/C

GRATE OPTIONS	DESCRIPTION	ADD
-GCX	Extra-Heavy-Duty Gas Tight Solid Cover	POA
-PCS	Special-Duty Perimeter Drainage Cover (9.7 Sq. In. Open Area)	POA
-PGM	Medium-Duty Perforated Grate (27.3 Sq. In. Open Area)	POA

DEDUCT		
-SGH	Heavy-Duty Slotted Grate (28.9 Sq. In. Open Area)	POA
-SGM	Medium-Duty Slotted Grate (28.9 Sq. In. Open Area)	POA

SUFFIXES	DESCRIPTION	ADD
-B	Bell Trap/Solid Sediment Bucket	POA
-KC	Anchor Flange with Seepage Holes and Clamp Collar	POA
-P	1/2" [13mm] Trap Primer Connection	POA
Ⓛ -SA	Stabilizer Assembly (See Z1036) 3" and 4" Outlets Only	-
-TS	Top Secured Grate	POA
-VH	Vacuum Handle (-GCX Cover Only)	POA
-3PT	3" [76mm] Stainless Steel P-Trap	POA
-4PT	4" [102mm] Stainless Steel P-Trap	POA
-6PT	6" [152mm] Stainless Steel P-Trap	POA

*Regularly furnished unless otherwise specified.

Ⓛ This symbol denotes a product that is engineered to reduce installation and rework time.

For additional product information, please visit www.zurn.com

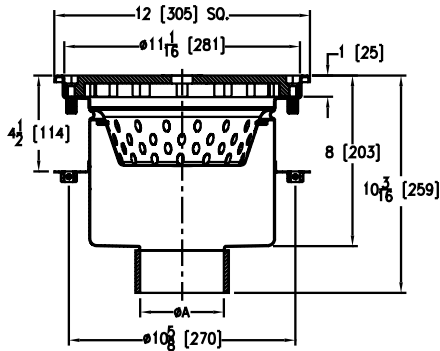
Z1830-12S 12" X 12" [305 MM X 305 MM] INDUSTRIAL FLOOR DRAIN 8" [203 MM] SUMP DEPTH



ENGINEERING SPECIFICATION

Zurn Z1830-12S 12" x 12" x 8" [305mm x 305mm x 203mm] deep, 18 gauge, all Type 304 (CF8) stainless steel, square, industrial floor drain features loose set, anti-tilt, extra heavy-duty, perimeter drainage cover, reinforced top frame, perforated, removable sediment bucket with lift handle, presloped bottom sump, and pre-pour stabilizing anchor tabs.

A Pipe Size inches [mm]	Approximate Weight lb [kg]	Grate Open Area sq in [cm ²]
Butt-Weld (SCH 10) / No-Hub		
3 [76], 4 [102], 6 [152]	21 [10]	9.7 [63]



PREFIXES	DESCRIPTION	A PIPE SIZE	LIST PRICE
Z1830-12S*	Type 304 (CF8) Stainless Steel*	3", 4", 6"	POA
ZM1830-12S	Type 316 (CF8M) Stainless Steel	3", 4", 6"	POA
OUTLETS (SPECIFY PIPE SIZE IN INCHES AND TYPE OF OUTLET)			
OUTLET TYPE	PIPE SIZE/ OUTLET TYPE	ADD	
BW	Butt-Weld (SCH-10)	3BW, 4BW, 6BW	N/C
NH	No-Hub	3NH, 4NH, 6NH	N/C
GRATE OPTIONS	DESCRIPTION	ADD	
-GCX	Extra-Heavy-Duty Gas Tight Solid Cover	POA	
-PCS	Special-Duty Perimeter Drainage Cover (9.7 Sq. In. Open Area)	POA	
-PGM	Medium-Duty Perforated Grate (27.3 Sq. In. Open Area)	POA	
DEDUCT			
-SGH	Heavy-Duty Slotted Grate (28.9 Sq. In. Open Area)	POA	
-SGM	Medium-Duty Slotted Grate (28.9 Sq. In. Open Area)	POA	
SUFFIXES	DESCRIPTION	ADD	
-B	Bell Trap/Solid Sediment Bucket	POA	
-KC	Anchor Flange with Seepage Holes and Clamp Collar	POA	
-P	1/2" [13mm] Trap Primer Connection	POA	
⓪ -SA	Stabilizer Assembly (See Z1036) 3" and 4" Outlets Only	-	
-TS	Top Secured Grate	POA	
-VH	Vacuum Handle (-GCX Cover Only)	POA	
-3PT	3" [76mm] Stainless Steel P-Trap	POA	
-4PT	4" [102mm] Stainless Steel P-Trap	POA	
-6PT	6" [152mm] Stainless Steel P-Trap	POA	

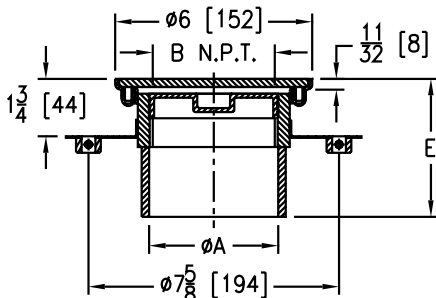
Z1840-6B 6" [152 MM] DIAMETER INDUSTRIAL FLOOR CLEANOUT



ENGINEERING SPECIFICATION

Zurn Z1840-6B 6" [152mm] diameter, 18 gauge, all Type 304 (CF8) stainless steel, round, industrial floor cleanout features secured, extra heavy-duty cover, removable ABS cleanout plug, and pre-pour stabilizing anchor tabs.

Dimensions in inches [mm]				Approximate Weight lb [kg]
A Pipe Size	B N.P.T.	E Body Height Dimensions	Top Size	
Butt-Weld (SCH 10) / No-Hub				
3 [76]	2-1/2 [64]	4-1/32 [102]	6 [152]	5 [2]
4 [102]	3-1/2 [89]	4-21/32 [118]	6 [152]	



PREFIXES	DESCRIPTION	A PIPE SIZE	LIST PRICE
Z1840-6B*	Type 304 (CF8) Stainless Steel*	3", 4"	POA
ZM1840-6B	Type 316 (CF8M) Stainless Steel	3", 4"	POA
OUTLETS (SPECIFY PIPE SIZE IN INCHES AND TYPE OF OUTLET)			
OUTLET TYPE	PIPE SIZE/ OUTLET TYPE	'E' BODY HT. DIM.	ADD
BW	Butt-Weld (SCH-10)	3BW	4-1/32"
		4BW	4-21/32"
NH	No-Hub	3NH	4-1/32"
		4NH	4-21/32"
SUFFIXES	DESCRIPTION	ADD	
⓪ -SA	Stabilizer Assembly (See Z1035)	-	
⓪ -SQ	Stabilizer Q-Deck (See Z1035-Q)	-	

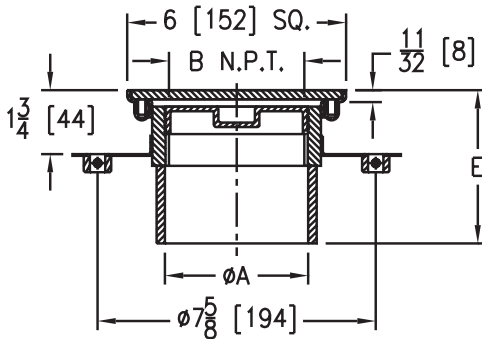
Z1840-6S 6" X 6" [152 MM X 152 MM] INDUSTRIAL FLOOR CLEANOUT



ENGINEERING SPECIFICATION

Zurn Z1840-6S 6" x 6" [152mm x 152mm] square, 18 gauge, all Type 304 (CF8) stainless steel industrial floor cleanout features secured, extra heavy-duty cover, removable ABS cleanout plug, and pre-pour stabilizing anchor tabs.

Dimensions in inches [mm]				Approximate Weight lb [kg]
A Pipe Size	B N.P.T.	E Body Height Dimensions	Top Size	
Butt-Weld (SCH 10) / No-Hub				
3 [76]	2-1/2 [64]	4-1/32 [102]	6 [152]	6 [3]
4 [102]	3-1/2 [89]	4-21/32 [118]	6 [152]	



PREFIXES	DESCRIPTION	A PIPE SIZE	LIST PRICE	
Z1840-6S*	Type 304 (CF8) Stainless Steel*	3", 4"	POA	
ZM1840-6S	Type 316 (CF8M) Stainless Steel	3", 4"	POA	
OUTLETS (SPECIFY PIPE SIZE IN INCHES AND TYPE OF OUTLET)				
OUTLET TYPE	PIPE SIZE/ OUTLET TYPE	'E' BODY HT. DIM.	ADD	
BW	Butt-Weld (SCH-10)	3BW	4-1/32"	N/C
		4BW	4-21/32"	N/C
NH	No-Hub	3NH	4-1/32"	N/C
		4NH	4-21/32"	N/C
SUFFIXES	DESCRIPTION		ADD	
⌚ -SA	Stabilizer Assembly (See Z1035)		-	
⌚ -SQ	Stabilizer Q-Deck (See Z1035-Q)		-	

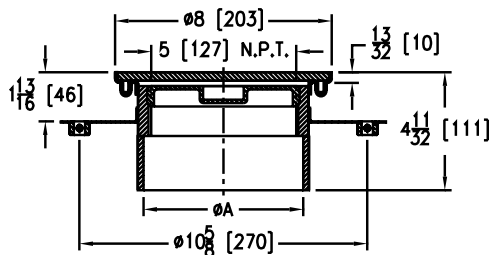
Z1840-8B 8" [203 MM] DIAMETER INDUSTRIAL FLOOR CLEANOUT



ENGINEERING SPECIFICATION

Zurn Z1840-8B 8" [203mm] diameter, 18 gauge, all Type 304 (CF8) stainless steel industrial floor cleanout features secured, extra heavy-duty cover, removable ABS cleanout plug, and pre-pour stabilizing anchor tabs.

A Pipe Size	B N.P.T.	Top Size	
Butt-Weld (SCH 10) / No-Hub			
6 [152]	5 [127]	8 [203]	6 [3]



PREFIXES	DESCRIPTION	A PIPE SIZE	LIST PRICE
Z1840-8B*	Type 304 (CF8) Stainless Steel*	6"	POA
ZM1840-8B	Type 316 (CF8M) Stainless Steel	6"	POA
OUTLETS (SPECIFY PIPE SIZE IN INCHES AND TYPE OF OUTLET)			
OUTLET TYPE	PIPE SIZE/ OUTLET TYPE		ADD
BW	Butt-Weld (SCH-10)	6BW	N/C
NH	No-Hub	6NH	N/C

*Regularly furnished unless otherwise specified.

⌚ This symbol denotes a product that is engineered to reduce installation and rework time.

For additional product information, please visit www.zurn.com

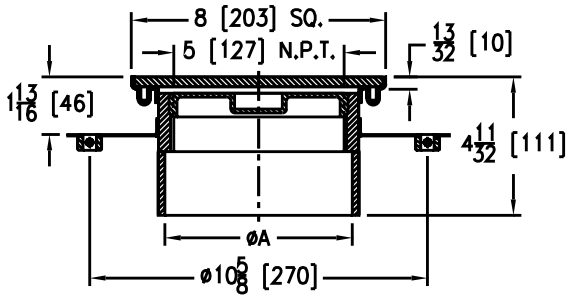
Z1840-8S 8" X 8" [203 MM X 203 MM] INDUSTRIAL FLOOR CLEANOUT



ENGINEERING SPECIFICATION

Zurn Z1840-8S 8" x 8" [203mm x 203mm] square, 18 gauge, all Type 304 (CF8) stainless steel industrial floor cleanout features secured, extra heavy-duty cover, removable ABS cleanout plug, and pre-pour stabilizing anchor tabs.

Dimensions in inches [mm]			Approximate Weight lb [kg]
A Pipe Size	B N.P.T.	Top Size	
Butt-Weld (SCH 10) / No-Hub			
6 [152]	5 [127]	8 [203]	7 [3]



PREFIXES	DESCRIPTION	A PIPE SIZE	LIST PRICE
Z1840-8S*	Type 304 (CF8) Stainless Steel*	6"	POA
ZM1840-8S	Type 316 (CF8M) Stainless Steel	6"	POA
OUTLETS (SPECIFY PIPE SIZE IN INCHES AND TYPE OF OUTLET)			
OUTLET TYPE	PIPE SIZE/ OUTLET TYPE		ADD
BW	Butt-Weld (SCH-10)	6BW	N/C
NH	No-Hub	6NH	N/C

SANI-FLOR RECEPTORS

SANI-FLOR RECEPTORS – MATERIAL SELECTION	356
SANI-FLOR RECEPTORS – OPTIONS AND VARIATIONS	356
Z1900 12" X 12" [305 MM X 305 MM] A.R.E. SANI-FLOR RECEPTOR WITH 6" [152 MM] SUMP DEPTH	357
⌚ Z1900-RL 12" X 12" X 6" [305 MM X 305 MM X 152 MM] REPLACEMENT FLOOR SINK LINER	358
Z1901 12" X 12" [305 MM X 305 MM] A.R.E. SANI-FLOR RECEPTOR WITH 8" [203 MM] SUMP DEPTH	359
⌚ Z1901-RL 12" X 12" X 8" [305 MM X 305 MM X 203 MM] REPLACEMENT FLOOR SINK LINER	360
Z1902 12" X 12" [305 MM X 305 MM] A.R.E. SANI-FLOR RECEPTOR WITH 10" SUMP DEPTH	361
⌚ Z1902-RL 12" X 12" X 10" [305 MM X 305 MM X 254 MM] REPLACEMENT FLOOR SINK LINER	362
⌚ Z1903 SANI-FLOR RECEPTOR INSTALLATION STABILIZER	362
Z1910 8" X 8" [203 MM X 203 MM] A.R.E. SANI-FLOR RECEPTOR WITH 6" [152 MM] SUMP DEPTH	363
⌚ Z1910-RL 8" X 8" X 6" [203 MM X 203 MM X 152 MM] REPLACEMENT FLOOR SINK LINER	364
Z1920 16" X 16" [406 MM X 406 MM] A.R.C. SANI-FLOR RECEPTOR WITH 7" [178 MM] SUMP DEPTH	365
Z1926 16" X 16" [406 MM X 406 MM] A.R.C. SANI-FLOR RECEPTOR WITH 12" [305 MM] SUMP DEPTH	366
Z1930 8" X 4" [203 MM X 102 MM] A.R.C. SANI-FLOR RECEPTOR WITH 4" [102 MM] SUMP DEPTH	367
Z1940 12" X 6" [305 MM X 152 MM] A.R.C. SANI-FLOR RECEPTOR WITH 8" [203 MM] SUMP DEPTH	368
Z1950 12" [305 MM] DIAMETER A.R.E. SANI-FLOR RECEPTOR WITH 8" [203 MM] SUMP DEPTH	369
Z1960 8" DIAMETER [203 MM] A.R.E. SANI-FLOR RECEPTOR WITH 6" [152 MM] SUMP DEPTH	370
Z1970 9" [229 MM] DIAMETER SHALLOW A.R.C. SANI-FLOR RECEPTOR WITH 3" [76 MM] SUMP DEPTH	371
Z1982 12" X 12" [305 MM X 305 MM] STAINLESS STEEL SANI-FLOR CAN WASH DRAIN WITH 8" [203 MM] SUMP DEPTH	372
Z1995 24" X 16" [610 MM X 406 MM] A.R.C. SANI-FLOR RECEPTOR WITH 17" [432 MM] SUMP DEPTH	372

SANI-FLOR RECEPTORS – MATERIAL SELECTION

A.R.C. Acid Resisting Epoxy Coating is a baked-on powder coating which produces a smooth, hard, high gloss finish. This epoxy based coating offers high impact resistance and excellent life expectancy in all drainage applications.

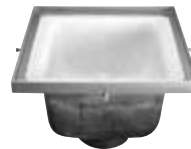
A.R.E. Acid Resisting Porcelain Enamel is a substantially vitreous inorganic coating bonded to metal by fusion at a high temperature above 800°F. This coating offers excellent acid, abrasion, and wear resistance. The coating is extremely hard and is the ultimate for sanitation in drainage application.

SANI-FLOR RECEPTORS – OPTIONS AND VARIATIONS

Zurn Sani-Flor Receptor options are specified as a PREFIX and/or SUFFIX letter or number added to the series designation. Each floor sink in the catalog is listed with its individual Prefix/Suffix variation.

PREFIXES	
Z	Cast iron body with white acid resisting porcelain enamel (A.R.E.) interior and top.
ZN	Cast iron body with white acid resisting porcelain enamel (A.R.E.) interior and nickel bronze top.
SUFFIXES	
-C	Clamp Collar
-DX	Dex-O-Tex Flange
-HD	Stainless Steel Frame with Extra-Heavy-Duty Stainless Steel Grate - Specify in areas where working load exceeds 2000 pounds or where extreme chemical resistance properties are required.
-HP	Heel-Proof Grate
-K	Anchor Flange
-KC	Anchor Flange with Seepage Holes and Clamp Collar
-LD	Less Internal Bottom Dome Strainer
-LS	Less Secondary Strainer
-P	1/2" Threaded Trap Primer Connection (See Z1023)
-S	Secondary Strainer
-T	Square Nickel Bronze Top
-TC	Neo-Loc Test Cap Gasket 2"-4" NL Bottom Outlet Only
-VPS	Vandal-Proof Strainer
-WB	Water Supply Control Box
-1	Less Grate - Receives multiple indirect wastes from either condensate lines, air conditioners or other indirect drainage equipment specifically located in non-traffic areas.
-2	Half Grate - Receives indirect waste as with Suffix -1, but with 1/2 grate opening to easily accept waste from a single direction while providing a finished floor drain top on the opposite side.
-3	Three-Quarter Grate - Receives indirect waste as with Suffix -1, but with 3/4 grate and 1/4 opening to easily accept waste from a single source.
-4	Full Grate with Center Opening - Receives indirect waste as with Suffix -1, but with square center opening to accept waste from multiple directions.
-5	Grate with 4" Diameter x 3-3/4" High Funnel
-6	Grate with 6" Diameter x 6" High Funnel - Receives indirect waste from single pipe using round funnel which is centrally located on grate. Prevents splashing of waste around entire receptor. Can be relocated at job site to meet project requirements.
-7	Grate with 6-3/4" x 3" x 1" High Oval Funnel
-8	Grate with 8-7/8" x 3-5/8" x 3-3/4" High Oval Funnel - Receives indirect waste from a series of pipe discharges using oval funnel which is centrally located on grate. Can be relocated at job site to meet project requirements.
-9	Angle Frame and Grate - Used in food handling facilities incorporating a two-fold purpose. An angle drain provides a sanitary floor drain in an open service area where open half of grate is hidden inside cabinetry to receive an indirect waste discharge. Two-piece construction further enhances the ultimate in sanitation standards.
-11	Vandal-Proof Secured Grate - Prevents removal of grate by unauthorized individuals.
-12	Depressed Aluminum Grate - Specified for areas in restaurants, food markets, taverns, and many non-traffic areas. Grate recess accumulates food particles rather than let them fall into receptor.
-15	Solid Loose Set Cover - Specified when receptor is to be inactive a majority of the time.
-16	Half Solid Loose Set Cover - Same as Suffix -15, but with 1/2 cover open to accept indirect waste.

SUFFIXES	
-17	Three-Quarter Solid Loose Set Cover - Same as Suffix -16, but with 3/4 cover inactive.
-18	Solid Loose Set Cover with Square Center Opening - Same as Suffix -16, but with center opening and balance of cover inactive.
-19	Full Hinged Grate - Specified in light traffic areas where grate removal is prohibited for any length of time.
-23	Aluminum Sediment Bucket - Specified when interception and retention of solids is necessary. Used in food preparation areas.
-25	White Acid Resisting Sediment Bucket - Same as Suffix -23, but with acid resisting finish.
-31	Stainless Mesh Liner for Sediment Bucket - Specified when retention of fine particles is required. Provided with screen having 331 holes per square inch.
-32	Aluminum Dome Strainer
-33	White Acid Resisting Anti-Splash Dome Strainer - Use in areas where harsh chemicals or substances enter receptor.
-34	Nickel Bronze Anti-Splash Dome Strainer



-1 Less Grate



-2 Half Grate



-3 Three-Quarter Grate



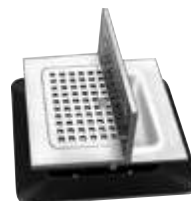
-4 Full Grate with Center Opening



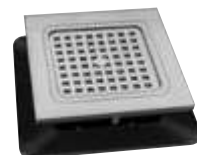
-5, -6 Grate with Round Funnel



-7, -8 Grate with Oval Funnel



-9 Angle Frame and Grate



-12 Depressed Aluminum Grate

Z1900 12" X 12" [305 MM X 305 MM] A.R.E. SANI-FLOR RECEPTOR WITH 6" [152 MM] SUMP DEPTH

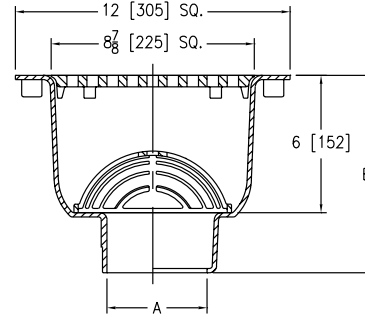


ENGINEERING SPECIFICATION

Zurn Z1900 Sani-Flor receptor, 12" x 12" x 6" [305mm x 305mm x 152mm] features deep cast iron body, square light-duty grate with 1/2" [13mm] slotted openings, and white acid resisting porcelain enamel interior and top - complete with white ABS anti-splash interior bottom dome strainer.

NOTE

†Add 1/2" [13mm] to 12" dimension when specifying ZN1900 or ZS1900.

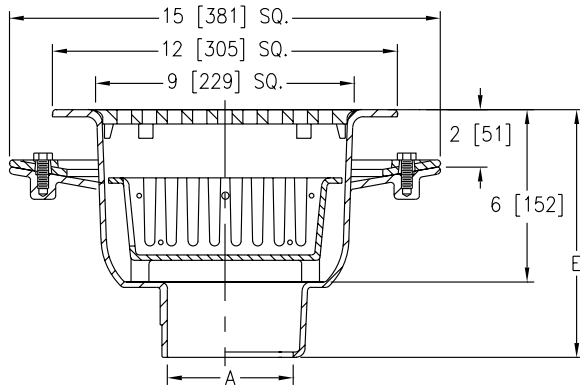


Dimensions in inches [mm]				
A Pipe Size/ Outlet Type	E Body Height Dimensions		Approximate Weight lb [kg]	Grate Open Area sq in [cm ²]
	Z	ZN/ZS		
Inside Caulk (IC)				
3IC, 4IC	8-5/8 [219]	9-1/8 [232]	32 [15]	31 [200]
No-Hub (NH)				
2NH, 3NH, 4NH	8-5/8 [219]	9-1/8 [232]	32 [15]	31 [200]
Neo-Loc (NL)				
2NL, 3NL, 4NL	8 [203]	8-1/2 [216]	32 [15]	31 [200]

PREFIXES	DESCRIPTION	A PIPE SIZE	Z (A.R.E.)	ZN (N.B.)	ZS
Z1900*	Cast Iron Body with A.R.E. Interior and Top	2", 3", 4"	1,699.00	-	-
ZN1900†	Cast Iron Body with White A.R.E. Interior and Top, 12-1/2" [318mm] Square N.B. Frame and Full Grate with 1/2" [13mm] Square Openings	2", 3", 4"	-	2,487.00	-
ZS1900†	Cast Iron Body with White A.R.E. Interior and Top, 12-1/2" [318mm] Square Stainless Steel Frame and Full Grate with 1/2" [13mm] Openings	2", 3", 4"	-	-	POA

OUTLETS (SPECIFY PIPE SIZE IN INCHES AND TYPE OF OUTLET)

OUTLET TYPE	PIPE SIZE/ OUTLET TYPE	ADD			
IC	Inside Caulk	3IC, 4IC	N/C	N/C	N/C
NH	No-Hub	2NH, 3NH, 4NH	N/C	N/C	N/C
NL	Neo-Loc	2NL, 3NL, 4NL	N/C	N/C	N/C



-KC-23 Options Shown

SUFFIXES		Z (A.R.E.)	ZN (N.B.)	ZS
-DX	Dex-O-Tex Flange (ZN Only)	N/A	896.00	N/A
-HD	Stainless Steel Frame with Extra-Heavy-Duty Stainless Steel Grate (ZS Only)	N/A	N/A	POA
-HP	Heel-Proof Grate (ZN Only)	N/A	314.00	N/A
-K	Anchor Flange	262.00	262.00	262.00
-KC	Anchor Flange with Seepage Holes and Clamp Collar	390.00	390.00	390.00
-LD	Less Bottom Dome Strainer	N/C	N/C	N/C
-P	1/2" [13mm] Trap Primer Connection (See Z1023)	87.00	87.00	87.00
Ⓞ -SA	Stabilizer Assembly (See Z1903)	-	-	-
Ⓞ -TC	Neo-Loc Test Cap Gasket (2", 3", 4" [51mm-102mm] NL Bottom Outlet Only)	86.00	86.00	86.00
-VPS	Vandal-Proof Strainer (NH outlet only)	30.00	30.00	30.00
-1	Less Grate	N/C	N/C	N/C
-2	1/2 Grate	N/C	N/C	N/C
-3	3/4 Grate	N/C	N/C	N/C
-4	Full Grate with Center Opening (2" [51mm] Round for Z and 3-1/32" [77mm] Square for ZN or ZS)	117.00	117.00	117.00
-6	Grate with 6" [152mm] Dia. x 6" [152mm] High Funnel	328.00	425.00	POA
-8	Grate with 8-7/8" x 3-5/8" x 3-3/4" [225mm x 92mm x 95mm] High Oval Funnel	356.00	596.00	POA
-11	Vandal-Proof Secured Grate (ZN and ZS Only)	N/A	66.00	66.00
-15	Solid Loose Set Cover (Z and ZN Only)	78.00	154.00	N/A
-19	Full Hinged Grate (ZN Only)	N/A	248.00	N/A
-23	Aluminum Bucket	219.00	219.00	219.00
-25	White A.R.C. Bucket	444.00	444.00	444.00
-31	Stainless Steel Mesh Liner for Bucket	349.00	349.00	349.00
-32	Aluminum Dome Strainer	N/C	N/C	N/C
-33	White A.R.C. Anti-Splash Bottom Dome Strainer	234.00	234.00	234.00

*Regularly furnished unless otherwise specified.

Ⓞ This symbol denotes a product that is engineered to reduce installation and rework time.

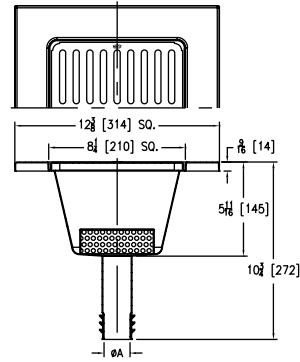
For additional product information, please visit www.zurn.com

🕒 **Z1900-RL 12" X 12" X 6" [305 MM X 305 MM X 152 MM] REPLACEMENT FLOOR SINK LINER**



ENGINEERING SPECIFICATION

Zurn Z1900-RL 12" x 12" x 6" [305mm x 305mm x 152mm] deep replacement floor sink liner features 18 gage, all Type 304 (CF8) fabricated stainless steel, internal pipe gasket seal, light-duty, slotted, loose set grate, and perforated removable dome strainer.



Dimensions in inches [mm]	Approximate Weight lb [kg]	Grate Open Area sq in [cm ²]
A Pipe Size		
Gasket Seal		
2 [51], 3 [76], 4 [102]	6 [3]	21.1 [136]

PREFIXES	DESCRIPTION	A PIPE SIZE	LIST PRICE
Z1900*	All Type 304 (CF8) Fabricated Stainless Steel	2", 3" 4"	1,686.00
OUTLETS (SPECIFY PIPE SIZE IN INCHES AND TYPE OF OUTLET)			
OUTLET TYPE	PIPE SIZE/OUTLET TYPE		ADD
RL	Gasket Seal	RL2, RL3, RL4	N/C
SUFFIXES			ADD
-1	Less Grate		N/C
-2	1/2 Grate		N/C
-3	3/4 Grate		N/C
-Y	Sediment Bucket		186.00

INTRO
 ROOF DRAINS
 FLOOR DRAINS
 T, P, BW VALVES
 INTERCEPTORS
 CARRIERS
 HYDRANTS
 CLEANOUTS
 WHA
 SS DRAINS
 FAB SS DRAINS
 SANI-FLOOR
 TECH INFO

Z1901 12" X 12" [305 MM X 305 MM] A.R.E. SANI-FLOR RECEPTOR WITH 8" [203 MM] SUMP DEPTH

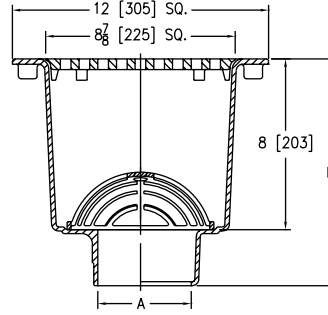


ENGINEERING SPECIFICATION

Zurn Z1901 Sani-Flor receptor features 12" x 12" x 8" [305mm x 305mm x 203mm] deep cast iron body, square, light-duty grate with 1/2" [13mm] slotted openings, and white acid resisting porcelain enamel interior and top – complete with white ABS anti-splash interior bottom dome strainer.

NOTE

†Add 1/2" [13mm] to 12" [305mm] dimension when specifying ZN1901 or ZS1901.



Dimensions in inches [mm]		Approximate Weight lb [kg]	Grate Open Area sq in [cm ²]
A Pipe Size/Outlet Type	E Body Height Dimensions		
	Z	ZN/ZS	
Inside Caulk (IC)			
3IC, 4IC	10-5/8 [270]	11-1/8 [283]	34 [15] 31 [200]
No-Hub (NH)			
2NH, 3NH, 4NH	10-5/8 [270]	11-1/8 [283]	34 [15] 31 [200]
Neo-Loc (NL)			
2NL, 3NL, 4NL	10 [254]	10-1/2 [267]	34 [15] 31 [200]

PREFIXES	DESCRIPTION	A PIPE SIZE	Z (A.R.E.)	ZN (N.B.)	ZS
Z1901*	Cast Iron Body with White A.R.E. Interior and Top	2", 3", 4"	1,654.00	-	-
ZN1901†	Cast Iron Body with White A.R.E. Interior and Top, 12-1/2" [318mm] Square N.B. Frame and Full Grate with 1/2" [13mm] Square Openings	2", 3", 4"	-	1,848.00	-
ZS1901†	Cast Iron Body with White A.R.E. Interior and Top, 12-1/2" [318mm] Square Stainless Steel Frame and Full Grate with 1/2" [13mm] Square Openings	2", 3", 4"	-	-	POA

OUTLETS (SPECIFY PIPE SIZE IN INCHES AND TYPE OF OUTLET)					
OUTLET TYPE		PIPE SIZE/OUTLET TYPE			ADD
IC	Inside Caulk	3IC, 4IC	N/C	N/C	N/C
NH	No-Hub	2NH, 3NH, 4NH	N/C	N/C	N/C
NL	Neo-Loc	2NL, 3NL, 4NL	N/C	N/C	N/C

SUFFIXES		ADD		
		Z (A.R.E.)	ZN (N.B.)	ZS
-DX	Dex-O-Tex Flange (ZN Only)	N/A	896.00	N/A
-HD	Stainless Steel Frame with Extra-Heavy-Duty Stainless Steel Grate (ZS Only)	N/A	N/A	POA
-HP	Heel-Proof Grate (ZN Only)	N/A	314.00	N/A
-K	Anchor Flange	262.00	262.00	262.00
-KC	Anchor Flange with Seepage Holes and Clamp Collar	390.00	390.00	390.00
-LD	Less Bottom Dome Strainer	N/C	N/C	N/C
-P	1/2" [13mm] Trap Primer Connection (See Z1023)	87.00	87.00	87.00
Ⓛ -TC	Neo-Loc Test Cap Gasket (2", 3", 4" [51mm-102mm] NL Bottom Outlet Only)	86.00	86.00	86.00
-VPS	Vandal-Proof Strainer (NH outlet only)	30.00	30.00	30.00
-1	Less Grate	N/C	N/C	N/C
-2	1/2 Grate	N/C	N/C	N/C
-3	3/4 Grate	N/C	N/C	N/C
-4	Full Grate with Center Opening (2" [51mm] Round for Z and 3-1/32" [77mm] Square for ZN or ZS)	117.00	117.00	117.00
-6	Grate with 6" [152mm] Dia. x 6" [152mm] High Funnel	328.00	425.00	POA
-8	Grate with 8-7/8" x 3-5/8" x 3-3/4" [225mm x 92mm x 95mm] High Oval Funnel	356.00	596.00	POA
-11	Vandal-Proof Secured Grate (ZN and ZS Only)	N/A	66.00	66.00
-15	Solid Loose Set Cover (Z and ZN Only)	78.00	154.00	N/A
-19	Full Hinged Grate (ZN Only)	N/A	248.00	N/A
-23	Aluminum Bucket	219.00	219.00	219.00
-25	White A.R.C. Bucket	444.00	444.00	444.00
-31	Stainless Steel Mesh Liner for Bucket	349.00	349.00	349.00
-32	Aluminum Dome Strainer	N/C	N/C	N/C
-33	White A.R.C. Anti-Splash Bottom Dome Strainer	234.00	234.00	234.00

*Regularly furnished unless otherwise specified.

Ⓛ This symbol denotes a product that is engineered to reduce installation and rework time.

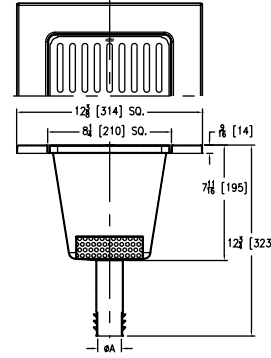
For additional product information, please visit www.zurn.com

🕒 **Z1901-RL 12" X 12" X 8" [305 MM X 305 MM X 203 MM] REPLACEMENT FLOOR SINK LINER**



ENGINEERING SPECIFICATION

Zurn Z1901-RL 12" x 12" x 8" [305mm x 305mm x 203mm] deep replacement floor sink liner features 18 gage, all Type 304 (CF8) fabricated stainless steel, internal pipe gasket seal, light-duty, slotted, loose set grate, and perforated removable dome strainer.



A Pipe Size inches [mm]	Approximate Weight lb [kg]	Grate Open Area sq in [cm ²]
Gasket Seal		
2 [51], 3 [76], 4 [102]	7 [3]	21.7 [140]

PREFIXES	DESCRIPTION	A PIPE SIZE	LIST PRICE
Z1901*	All Type 304 (CF8) Fabricated Stainless Steel	2", 3", 4"	1,812.00
OUTLETS (SPECIFY PIPE SIZE IN INCHES AND TYPE OF OUTLET)			
OUTLET TYPE	PIPE SIZE/OUTLET TYPE		ADD
RL	Gasket Seal	RL2, RL3, RL4	N/C
SUFFIXES			ADD
-1	Less Grate		N/C
-2	1/2 Grate		N/C
-3	3/4 Grate		N/C
-Y	Sediment Bucket		186.00

INTRO
 ROOF DRAINS
 FLOOR DRAINS
 T, P, BW VALVES
 INTERCEPTORS
 CARRIERS
 HYDRANTS
 CLEANOUTS
 WHA
 SS DRAINS
 FAB SS DRAINS
 SANI-FLOR
 TECH INFO

Z1902 12" X 12" [305 MM X 305 MM] A.R.E. SANI-FLOR RECEPTOR WITH 10" SUMP DEPTH

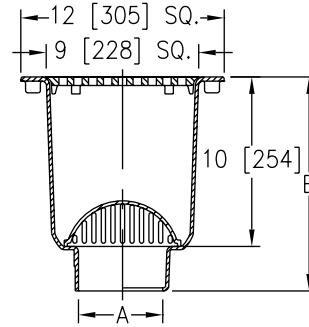


ENGINEERING SPECIFICATION

Zurn Z1902 Sani-Flor receptor features 12" x 12" x 10" [305mm x 305mm x 254mm] deep cast iron body, square, light-duty grate with 1/2" [13mm] slotted openings, and white acid resisting porcelain enamel interior and top – complete with white ABS anti-splash interior bottom dome strainer.

NOTE

†Add 1/2" [13mm] to 12" [305mm] dimension when specifying ZN1902 or ZS1902.



Dimensions in inches [mm]				Approximate Weight lb [kg]	Grate Open Area sq in [cm ²]
A Pipe Size/Outlet Type	E Body Height Dimensions		Z		
Inside Caulk (IC)					
3IC, 4IC	12-5/8 [321]	13-1/8 [333]	36 [16]	31 [200]	
No-Hub (NH)					
2NH, 3NH, 4NH	12-5/8 [321]	13-1/8 [333]	36 [16]	31 [200]	
Neo-Loc (NL)					
2NL, 3NL, 4NL	12 [305]	12-1/2 [318]	36 [16]	31 [200]	

PREFIXES	DESCRIPTION	A PIPE SIZE	Z (A.R.E.)	ZN (N.B.)	ZS
Z1902*	Cast Iron Body with White A.R.E. Interior and Top	2", 3", 4"	1,749.00	-	-
ZN1902†	Cast Iron Body with White A.R.E. Interior and Top, 12-1/2" [318mm] Square N.B. Frame and Full Grate with 1/2" [13mm] Square Openings	2", 3", 4"	-	2,538.00	-
ZS1902†	Cast Iron Body with White A.R.E. Interior and Top, 12-1/2" [318mm] Square Stainless Steel Frame and Full Grate with 1/2" [13mm] Square Openings	2", 3", 4"	-	-	POA

OUTLETS (SPECIFY PIPE SIZE IN INCHES AND TYPE OF OUTLET)					
OUTLET TYPE	PIPE SIZE/OUTLET TYPE				ADD
IC	Inside Caulk	3IC, 4IC	N/C	N/C	N/C
NH	No-Hub	2NH, 3NH, 4NH	N/C	N/C	N/C
NL	Neo-Loc	2NL, 3NL, 4NL	N/C	N/C	N/C

SUFFIXES		Z (A.R.E.)	ZN (N.B.)	ADD ZS
-DX	Dex-O-Tex Flange (ZN Only)	N/A	896.00	N/A
-HD	Stainless Steel Frame with Extra-Heavy-Duty Stainless Steel Grate (ZS Only)	N/A	N/A	POA
-HP	Heel-Proof Grate (ZN Only)	N/A	314.00	N/A
-K	Anchor Flange	262.00	262.00	262.00
-KC	Anchor Flange with Seepage Holes and Clamp Collar	390.00	390.00	390.00
-LD	Less Bottom Dome Strainer	N/C	N/C	N/C
-P	1/2" Trap Primer Connection (See Z1023)	87.00	87.00	87.00
-SA	Stabilizer Assembly (See Z1903)	-	-	-
-TC	Neo-Loc Test Cap Gasket (2", 3", 4" [51mm-102mm] NL Bottom Outlet Only)	86.00	86.00	86.00
-VPS	Vandal-Proof Strainer (NH outlet only)	30.00	30.00	30.00
-1	Less Grate	N/C	N/C	N/C
-2	1/2 Grate	N/C	N/C	N/C
-3	3/4 Grate	N/C	N/C	N/C
-4	Full Grate with Center Opening (2" [51mm] Round for Z and 3-1/32" [77mm] Square for ZN or ZS)	117.00	117.00	117.00
-6	Grate with 6" [152mm] Dia. x 6" [152mm] High Funnel	328.00	425.00	POA
-8	Grate with 8-7/8" x 3-5/8" x 3-3/4" [225mm x 92mm x 95mm] High Oval Funnel	356.00	596.00	POA
-11	Vandal-Proof Secured Grate (ZN and ZS Only)	N/A	66.00	66.00
-15	Solid Loose Set Cover (Z and ZN Only)	78.00	154.00	N/A
-19	Full Hinged Grate (ZN Only)	N/A	248.00	N/A
-23	Aluminum Bucket	219.00	219.00	219.00
-25	White A.R.C. Bucket	444.00	444.00	444.00
-31	Stainless Steel Mesh Liner for Bucket	349.00	349.00	349.00
-32	Aluminum Dome Strainer	N/C	N/C	N/C
-33	White A.R.C. Anti-Splash Bottom Dome Strainer	234.00	234.00	234.00

*Regularly furnished unless otherwise specified.

⌚ This symbol denotes a product that is engineered to reduce installation and rework time.

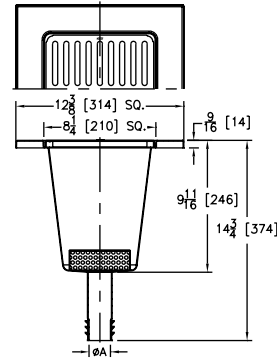
For additional product information, please visit www.zurn.com

🕒 Z1902-RL 12" X 12" X 10" [305 MM X 305 MM X 254 MM] REPLACEMENT FLOOR SINK LINER



ENGINEERING SPECIFICATION

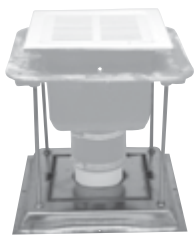
Zurn Z1902-RL 12" x 12" x 10" [305mm x 305mm x 254mm] deep replacement floor sink liner features 18 gage, all Type 304 (CF8) fabricated stainless steel, internal pipe gasket seal, light-duty, slotted, loose set grate, and perforated removable dome strainer.



A Pipe Size inches [mm]	Approximate Weight lb [kg]	Grate Open Area sq in [cm ²]
Gasket Seal		
2 [51], 3 [76], 4 [102]	7 [3]	21.7 [140]

PREFIXES	DESCRIPTION	A PIPE SIZE	LIST PRICE
Z1902*	All Type 304 (CF8) Fabricated Stainless Steel	2", 3", 4"	1,945.00
OUTLETS (SPECIFY PIPE SIZE IN INCHES AND TYPE OF OUTLET)			
OUTLET TYPE	PIPE SIZE/OUTLET TYPE		ADD
RL	Gasket Seal	RL2, RL3, RL4	N/C
SUFFIXES			
			ADD
-1	Less Grate		N/C
-2	1/2 Grate		N/C
-3	3/4 Grate		N/C
-Y	Sediment Bucket		186.00

🕒 Z1903 SANI-FLOR RECEPTOR INSTALLATION STABILIZER



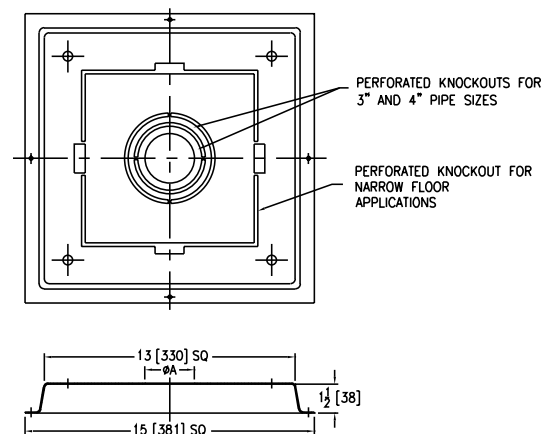
Patented

ENGINEERING SPECIFICATION

Zurn Z1903 Sani-Flor receptor installation stabilizer features a 16-gage, galvanized steel plate with variable pipe opening, four support stud holes, and four nail holes. Comes complete with hardware bag containing four 3/8"-16 x 12" [305mm] long studs, eight 3/8"-16 flange locknuts and coverplate with hole for standard 2" [51mm] pipe size and perforated knockouts for 3" [76mm] and 4" [102mm] pipe connections. (For use with Z1900, Z1901, and Z1902 Sani-Flor receptors.)

NOTE

Stabilizer plate may be used without coverplate for narrow floor applications where the drain body will be recessed into stabilizer plate.



Dimensions in inches [mm]	
Pipe Size	A Diameter
2 [51]	2-9/16 [65]
3 [76]	3-11/16 [94]
4 [102]	4-11/16 [119]

PREFIXES	DESCRIPTION	PIPE SIZE	LIST PRICE
Z1903*	Sani-Flor Receptor Installation Stabilizer	2", 3" 4"	163.00

Z1910 8" X 8" [203 MM X 203 MM] A.R.E. SANI-FLOR RECEPTOR WITH 6" [152 MM] SUMP DEPTH

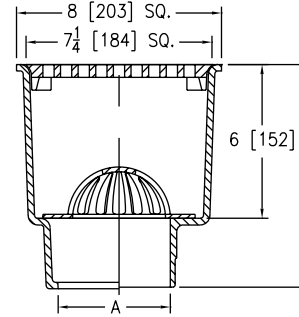


ENGINEERING SPECIFICATION

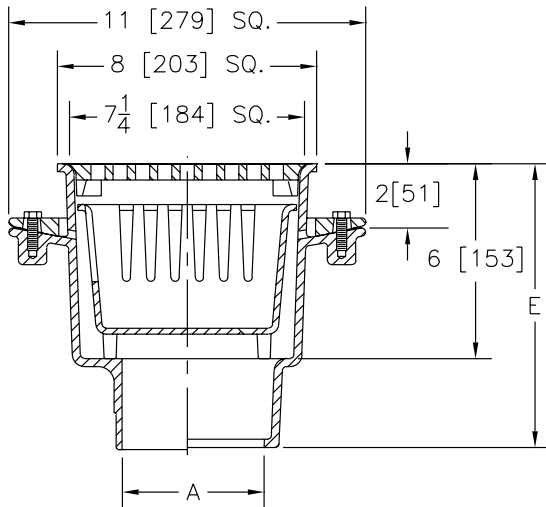
Zurn Z1910 Sani-Flor receptor features 8" x 8" x 6" [203mm x 203mm x 152mm] deep cast iron body, square medium-duty grate with 7/16" [11mm] slotted openings, and white acid resisting porcelain enamel interior and top – complete with white ABS anti-splash interior bottom dome strainer.

NOTE

†Add 1/2" [13mm] to 8" [203mm] dimension when specifying ZN1910.



Dimensions in inches [mm]		Approximate Weight lb [kg]	Grate Open Area sq in [cm ²]
A Pipe Size/Outlet Type	E Body Height Dimensions		
	Z	ZN	
Inside Caulk			
3IC, 4IC	8-3/4 [222]	9-1/4 [235]	25 [11] 19 [123]
No-Hub (NH)			
2NH, 3NH, 4NH	8-5/8 [219]	9-1/8 [232]	25 [11] 19 [123]
Neo-Loc (NL)			
2NL, 3NL, 4NL	8 [203]	8-1/2 [216]	25 [11] 19 [123]



-KC-23 Options Shown

PREFIXES	DESCRIPTION	A PIPE SIZE	Z (A.R.E.)	ZN (N.B.)
Z1910*	Cast Iron Body with White A.R.E. Interior and Top	2", 3" 4"	1,151.00	-
ZN1910†	Cast Iron Body with White A.R.E. Interior and Top, 8-9/16" [218mm] Square N.B. Frame, and Full Grate with 5/16" [8mm] Square Openings	2", 3" 4"	-	1,637.00

OUTLETS (SPECIFY PIPE SIZE IN INCHES AND TYPE OF OUTLET)				
OUTLET TYPE		PIPE SIZE/OUTLET TYPE		ADD
IC	Inside Caulk	3IC, 4IC	N/C	N/C
NH	No-Hub	2NH, 3NH, 4NH	N/C	N/C
NL	Neo-Loc	2NL, 3NL, 4NL	N/C	N/C

SUFFIXES		Z (A.R.E.)	ZN (N.B.)
-DX	Dex-O-Tex Flange (ZN Only)	N/A	761.00
-K	Anchor Flange	138.00	138.00
-KC	Anchor Flange with Seepage Holes and Clamp Collar	246.00	246.00
-LD	Less Bottom Dome Strainer	N/C	N/C
-P	1/2" Trap Primer Connection (See Z1023)	126.00	126.00
Ⓢ -TC	Neo-Loc Test Cap Gasket (2", 3", 4" [51mm-102mm] NL Bottom Outlet Only)	86.00	86.00
-1	Less Grate	N/C	N/C
-2	1/2 Grate	N/C	N/C
-3	3/4 Grate	N/C	N/C
-4	Full Grate with Square Center Opening	117.00	117.00
-6	Grate with 6" [152mm] Dia. x 6" [152mm] High Funnel	328.00	425.00
-8	Grate with 8-7/8" x 3-5/8" x 3-3/4" [225mm x 92mm x 95mm] High Oval Funnel	356.00	596.00
-11	Vandal-Proof Secured Grate (ZN only)	N/A	66.00
-15	Solid Loose Set Cover	72.00	128.00
-19	Full Hinged Grate (ZN only)	N/A	262.00
-23	Aluminum Bucket	147.00	147.00
-25	White A.R.C. Bucket	321.00	321.00
-31	Stainless Steel Mesh Liner for Bucket	349.00	349.00
-32	Aluminum Dome Strainer	N/C	N/C
-33	White A.R.C. Anti-Splash Bottom Dome Strainer	N/C	N/C

*Regularly furnished unless otherwise specified.

Ⓢ This symbol denotes a product that is engineered to reduce installation and rework time.

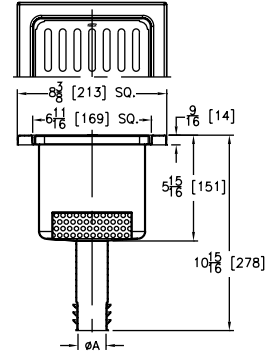
For additional product information, please visit www.zurn.com

🕒 **Z1910-RL 8" X 8" X 6" [203 MM X 203 MM X 152 MM] REPLACEMENT FLOOR SINK LINER**



ENGINEERING SPECIFICATION

Zurn Z1910-RL 8" x 8" x 6" [203mm x 203mm x 152mm] deep replacement floor sink liner features 18 gage, all Type 304 (CF8) fabricated stainless steel, internal pipe gasket seal, light-duty, slotted, loose set grate, and perforated removable dome strainer.



A Pipe Size inches [mm]	Approximate Weight lb [kg]	Grate Open Area sq in [cm ²]
Gasket Seal		
2 [51], 3 [76], 4 [102]	5 [2]	12.2 [79]

PREFIXES	DESCRIPTION	A PIPE SIZE	LIST PRICE
Z1910*	All Type 304 (CF8) Fabricated Stainless Steel	2", 3", 4"	1,399.00
OUTLETS (SPECIFY PIPE SIZE IN INCHES AND TYPE OF OUTLET)			
OUTLET TYPE		PIPE SIZE/OUTLET TYPE	ADD
RL	Gasket Seal	RL2, RL3, RL4	N/C
SUFFIXES			
			ADD
-1	Less Grate		N/C
-2	1/2 Grate		N/C
-3	3/4 Grate		N/C
-Y	Sediment Bucket		186.00

INTRO
ROOF DRAINS
FLOOR DRAINS
T, P, BW VALVES
INTERCEPTORS
CARRIERS
HYDRANTS
CLEANOUTS
WHA
SS DRAINS
FAB SS DRAINS
SANI-FLOR
TECH INFO

Z1920 16" X 16" [406 MM X 406 MM] A.R.C. SANI-FLOR RECEPTOR WITH 7" [178 MM] SUMP DEPTH

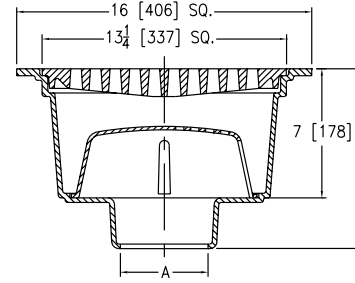


ENGINEERING SPECIFICATION

Zurn Z1920 Sani-Flor receptor features 16" x 16" x 7" [406mm x 406mm x 178mm] deep cast iron body, square, slotted heavy-duty grate, and white acid resisting epoxy coated interior and top – complete with aluminum anti-splash interior bottom dome strainer.

NOTE

†Add 3/4" [19mm] to 16" [406mm] dimension when specifying ZN1920.



Dimensions in inches [mm]			Approximate Weight lb [kg]	Grate Open Area sq in [cm ²]
A Pipe Size/ Outlet Type	E Body Height Dimensions			
	Z	ZN		
Inside Caulk (IC)				
2IC, 3IC, 4IC, 6IC	9-3/4 [248]	9-15/16 [252]	81 [37]	54 [348]
8IC	10-1/4 [260]	10-7/16 [265]		
Neo-Loc (NL)				
2NL, 3NL, 4NL	9 [229]	9-3/16 [233]	81 [37]	54 [348]

PREFIXES	DESCRIPTION	A PIPE SIZE	Z (A.R.C.)	ZN (N.B.)
Z1920*	Cast Iron Body with White A.R.C. Interior and Top	2", 3" 4", 6", 8"	4,124.00	-
ZN1920†	Cast Iron Body with White A.R.C. Interior and Top, 16-3/4" [425mm] Square N.B. Frame, and Full Slotted Grate	2", 3" 4", 6", 8"	-	4,536.00
OUTLETS (SPECIFY PIPE SIZE IN INCHES AND TYPE OF OUTLET)				
OUTLET TYPE		PIPE SIZE/OUTLET TYPE		ADD
IC	Inside Caulk	2IC, 3IC, 4IC, 6IC, 8IC	N/C	N/C
NL	Neo-Loc	2NL, 3NL, 4NL	N/C	N/C
SUFFIXES				
			Z (A.R.C.)	ZN (N.B.)
-K	Anchor Flange		275.00	275.00
-KC	Anchor Flange with Seepage Holes and Clamp Collar		689.00	689.00
-LD	Less Bottom Dome Strainer		N/C	N/C
-P	1/2" Trap Primer Connection (See Z1023)		126.00	126.00
⌚ -TC	Neo-Loc Test Cap Gasket (2", 3", 4" [51mm-102mm] NL Bottom Outlet Only)		86.00	86.00
-1	Less Grate		N/C	N/C
-2	1/2 Grate		N/C	N/C
-3	3/4 Grate		N/C	N/C
-4	Full Grate with Square Center Opening		N/C	N/C
-6	Grate with 6" [152mm] Dia. x 6" [152mm] High Funnel		328.00	425.00
-8	Grate with 8-7/8" x 3-5/8" x 3-3/4" [225mm x 92mm x 95mm] High Oval Funnel		356.00	596.00
-11	Vandal-Proof Secured Grate		N/A	66.00
-15	Solid Loose Set Cover		116.00	455.00
-23	Aluminum Bucket		619.00	619.00
-25	White A.R.C. Bucket		1,737.00	1,737.00
-31	Stainless Steel Mesh Liner for Bucket		698.00	698.00
-33	White A.R.C. Anti-Splash Bottom Dome Strainer		234.00	234.00

*Regularly furnished unless otherwise specified.

⌚ This symbol denotes a product that is engineered to reduce installation and rework time.

For additional product information, please visit www.zurn.com

Z1926 16" X 16" [406 MM X 406 MM] A.R.C. SANI-FLOR RECEPTOR WITH 12" [305 MM] SUMP DEPTH

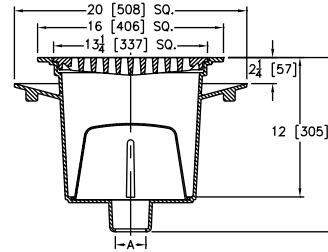


ENGINEERING SPECIFICATION

Zurn Z1926 Sani-Flor receptor features 16" x 16" x 12" [406mm x 406mm x 305mm] deep cast iron body, seepage flange, square, heavy-duty grate with 9/16" [14mm] slotted openings, and white acid resisting epoxy coated interior and top – complete with aluminum anti-splash interior bottom dome strainer.

NOTE

†Add 3/4" [19mm] to 16" [406mm] dimension when specifying ZN1926.



Dimensions in inches [mm]				Approximate Weight lb [kg]	Grate Open Area sq in [cm ²]
A Pipe Size/ Outlet Type	E Body Height Dimensions		Z		
	Inside Caulk (IC)				
3IC, 4IC, 6IC	15 [381]	15-3/16 [386]	150 [68]	54 [348]	
No-Hub (NH)					
2NH, 3NH, 4NH, 5NH, 6NH, 8NH	15 [381]	15-3/16 [386]	150 [68]	54 [348]	
Neo-Loc (NL)					
2NL, 3NL, 4NL	14-1/4 [362]	14-7/16 [367]	150 [68]	54 [348]	

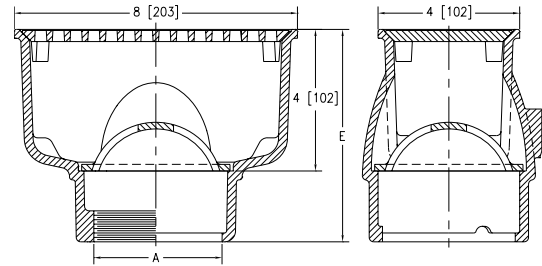
PREFIXES	DESCRIPTION	A PIPE SIZE	Z (A.R.C.)	ZN (N.B.)
Z1926*	Cast Iron Body with White A.R.C. Interior and Top	2", 3" 4", 5", 6", 8"	4,124.00	-
ZN1926†	Cast Iron Body with White A.R.C. Interior and Top, 16-3/4" [425mm] Square N.B. Frame, and Full Slotted Grate	2", 3" 4", 5", 6", 8"	-	5,822.00
OUTLETS (SPECIFY PIPE SIZE IN INCHES AND TYPE OF OUTLET)				
OUTLET TYPE	PIPE SIZE/OUTLET TYPE		ADD	
IC	Inside Caulk	3IC, 4IC, 6IC	N/C	N/C
NH	No-Hub	2NH, 3NH, 4NH, 5NH, 6NH, 8NH	N/C	N/C
NL	Neo-Loc	2NL, 3NL, 4NL	N/C	N/C
SUFFIXES			Z (A.R.C.)	ZN (N.B.)
-C	Clamp Collar		419.00	419.00
-LD	Less Bottom Dome Strainer		N/C	N/C
-P	1/2" Trap Primer Connection (See Z1023)		126.00	126.00
-TC	Neo-Loc Test Cap Gasket (2", 3", 4" [51mm-102mm] NL Bottom Outlet Only)		86.00	86.00
-1	Less Grate		N/C	N/C
-2	1/2 Grate		N/C	N/C
-3	3/4 Grate		N/C	N/C
-4	Full Grate with Square Center Opening		117.00	117.00
-6	Grate with 6" [152mm] Dia. x 6" [152mm] High Funnel		328.00	425.00
-8	Grate with 8-7/8" x 3-5/8" x 3-3/4" [225mm x 92mm x 95mm] High Oval Funnel		356.00	596.00
-11	Vandal-Proof Secured Grate		N/A	66.00
-15	Solid Loose Set Cover		116.00	455.00
-23	Aluminum Bucket		619.00	619.00
-25	White A.R.C. Bucket		1,737.00	1,737.00
-31	Stainless Steel Mesh Liner for Bucket		698.00	698.00
-33	White A.R.C. Anti-Splash Bottom Dome Strainer		234.00	234.00

Z1930 8" X 4" [203 MM X 102 MM] A.R.C. SANI-FLOR RECEPTOR WITH 4" [102 MM] SUMP DEPTH

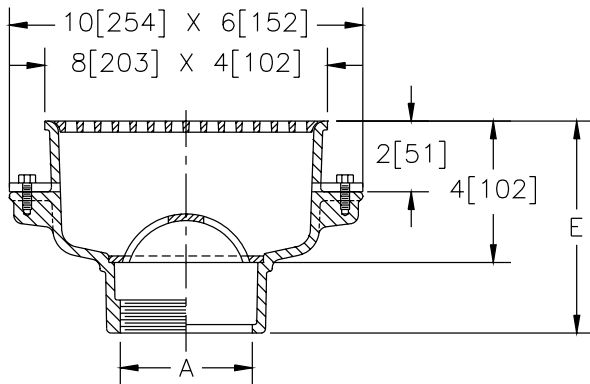


ENGINEERING SPECIFICATION

Zurn Z1930 Sani-Flor receptor features 8" x 4" x 4" [203mm x 102mm x 102mm] deep cast iron body and rectangular, square hole, light-duty grate with white acid resisting epoxy coated interior and top – complete with white ABS anti-splash interior bottom dome strainer.



Dimensions in inches [mm]				Approximate Weight lb [kg]	Grate Open Area sq in [cm ²]
A Pipe Size/ Outlet Type	E Body Height Dimensions		Z		
	Inside Caulk (IC)				
3IC	6 [152]	6-3/8 [162]	11 [5]	7.5 [48]	
Threaded (IP)					
2IP, 3IP	6 [152]	6-3/8 [162]	11 [5]	7.5 [48]	
Neo-Loc (NL)					
2NL, 3NL	5-13/16 [148]	6-3/16 [157]	11 [5]	7.5 [48]	



-KC Option Shown

Z1930-KC Sani-Flor Receptor, 8" x 4" x 4" deep cast iron body and rectangular square hole light-duty grate with white acid resisting epoxy coated interior and top with seepage flange with seepage holes and clamp collar (-KC).

PREFIXES	DESCRIPTION	A PIPE SIZE	Z (A.R.C.)	ZN (N.B.)
Z1930*	Cast Iron Body with White A.R.C. Interior and Top	2", 3"	1,190.00	-
ZN1930	Cast Iron Body with White A.R.C. Interior and Top, 8-3/4" x 4-3/4" [222mm x 121mm] N.B. Frame, and Full Grate with 5/16" [8mm] Square Openings	2", 3"	-	1,310.00

OUTLETS (SPECIFY PIPE SIZE IN INCHES AND TYPE OF OUTLET)				
OUTLET TYPE		PIPE SIZE/ OUTLET TYPE		ADD
IC	Inside Caulk	3IC	N/C	N/C
IP	Threaded	2IP, 3IP	N/C	N/C
NL	Neo-Loc	2NL, 3NL	N/C	N/C

SUFFIXES				
			Z (A.R.C.)	ZN (N.B.)
-K	Anchor Flange		203.00	203.00
-KC	Anchor Flange with Seepage Holes and Clamp Collar		345.00	345.00
-LD	Less Bottom Dome Strainer		N/C	N/C
-P	1/2" [13mm] Trap Primer Connection (See Z1023)		126.00	126.00
-S	Secondary Strainer		N/C	N/C
Ⓢ -TC	Neo-Loc Test Cap Gasket (2", 3" [51mm-76mm] NL Bottom Outlet Only)		86.00	86.00
-1	Less Grate		N/C	N/C
-2	1/2 Grate		N/C	N/C
-3	3/4 Grate		N/C	N/C
-4	Full Grate with Square Center Opening		117.00	117.00
-6	Grate with 6" [152mm] Dia. x 6" [152mm] High Funnel		328.00	425.00
-8	Grate with 8-7/8" x 3-5/8" x 3-3/4" [225mm x 92mm x 95mm] High Oval Funnel		356.00	596.00
-11	Vandal-Proof Secured Grate (ZN only)		N/A	66.00
-15	Solid Loose Set Cover (ZN only)		73.00	128.00
-23	Aluminum Bucket		143.00	143.00
-25	White A.R.C. Bucket		351.00	351.00
-31	Stainless Steel Mesh Liner for Bucket		351.00	351.00
-32	Aluminum Dome Strainer		N/C	N/C
-33	White A.R.C. Anti-Splash Bottom Dome Strainer		234.00	234.00

*Regularly furnished unless otherwise specified.

Ⓢ This symbol denotes a product that is engineered to reduce installation and rework time.

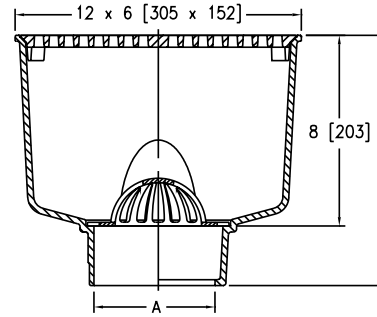
For additional product information, please visit www.zurn.com

Z1940 12" X 6" [305 MM X 152 MM] A.R.C. SANI-FLOR RECEPTOR WITH 8" [203 MM] SUMP DEPTH

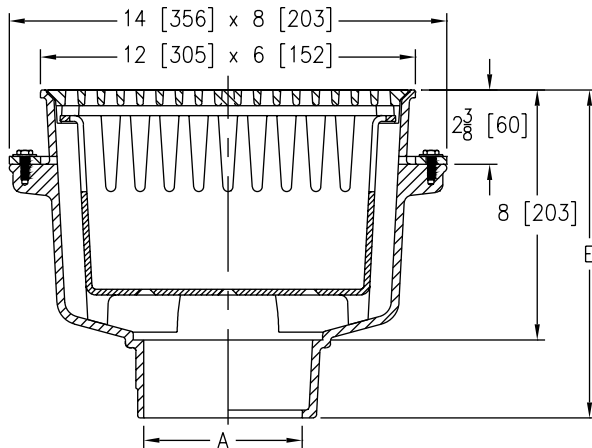


ENGINEERING SPECIFICATION

Zurn Z1940 Sani-Flor receptor features 12" x 6" x 8" [305mm x 152mm x 203mm] deep cast iron body and rectangular, square hole, light-duty grate with white acid resisting epoxy coated interior and top complete with white ABS anti-splash interior bottom dome strainer.



Dimensions in inches [mm]			Approximate Weight lb [kg]	Grate Open Area sq in [cm ²]
A Pipe Size/Outlet Type	E Body Height Dimensions			
	Z	ZN		
Inside Caulk (IC)				
2IC, 3IC, 4IC	10-1/2 [267]	10-7/8 [276]	28 [13]	17 [110]
No-Hub (NH)				
2NH, 3NH, 4NH	10-1/2 [267]	10-7/8 [276]	28 [13]	17 [110]
Neo-Loc (NL)				
2NL, 3NL, 4NL	10 [254]	10-3/8 [264]	28 [13]	17 [110]



-KC-23 Options Shown

Z1940-KC-23 Sani-Flor Receptor, 12" x 6" x 8" deep cast iron body and rectangular square hole light-duty grate with white acid resisting epoxy coated interior and top with seepage flange with seepage holes and clamp collar (-KC) and aluminum bucket (-23).

PREFIXES	DESCRIPTION	A PIPE SIZE	Z (A.R.C.)	ZN (N.B.)
Z1940*	Cast Iron Body with White A.R.C. Interior and Top	2", 3", 4"	1,610.00	-
ZN1940	Cast Iron Body with White A.R.C. Interior and Top, 13" x 7" [330mm x 178mm] N.B. Frame, and Full Grate with 3/8" Square Openings	2", 3, 4"	-	1,772.00

OUTLETS (SPECIFY PIPE SIZE IN INCHES AND TYPE OF OUTLET)				
OUTLET TYPE	PIPE SIZE/OUTLET TYPE	ADD		
IC	Inside Caulk	2IC, 3IC, 4IC	N/C	N/C
NH	No-Hub	2NH, 3NH, 4NH	N/C	N/C
NL	Neo-Loc	2NL, 3NL, 4NL	N/C	N/C

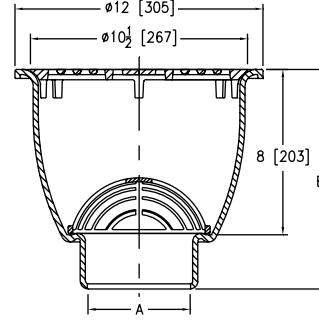
SUFFIXES		Z (A.R.C.)	ZN (N.B.)
-K	Anchor Flange	203.00	203.00
-KC	Anchor Flange with Seepage Holes and Clamp Collar	345.00	345.00
-LD	Less Bottom Dome Strainer	N/C	N/C
-P	1/2" [13mm] Trap Primer Connection (See Z1023)	126.00	126.00
-S	Secondary Strainer	N/C	N/C
-TC	Neo-Loc Test Cap Gasket (2", 3", 4" [51mm-102mm] NL Bottom Outlet Only)	86.00	86.00
-1	Less Grate	N/C	N/C
-2	1/2 Grate	N/C	N/C
-3	3/4 Grate	N/C	N/C
-4	Full Grate with Square Center Opening	117.00	117.00
-6	Grate with 6" [152mm] Dia. x 6" [152mm] High Funnel	328.00	425.00
-8	Grate with 8-7/8" x 3-5/8" x 3-3/4" [225mm x 92mm x 95mm] High Oval Funnel	356.00	596.00
-11	Vandal-Proof Secured Grate (ZN only)	N/A	66.00
-15	Solid Loose Set Cover	73.00	128.00
-23	Aluminum Bucket	143.00	143.00
-25	White A.R.C. Bucket	351.00	351.00
-31	Stainless Steel Mesh Liner for Bucket	351.00	351.00
-32	Aluminum Dome Strainer	N/C	N/C
-33	White A.R.C. Anti-Splash Bottom Dome Strainer	234.00	234.00

Z1950 12" [305 MM] DIAMETER A.R.E. SANI-FLOR RECEPTOR WITH 8" [203 MM] SUMP DEPTH

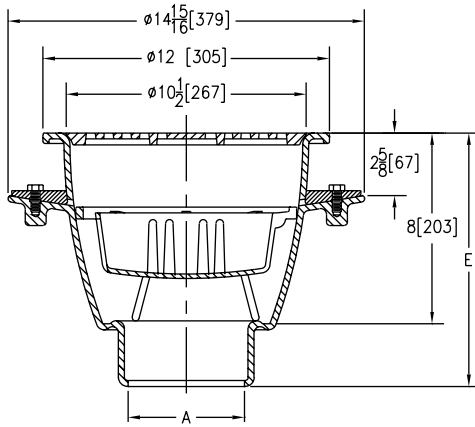


ENGINEERING SPECIFICATION

Zurn Z1950 Sani-Flor receptor features 12" [305mm] diameter x 8" [203mm] deep cast iron body, and round slotted, light-duty grate with white acid resisting porcelain enamel interior and top - complete with white ABS anti-splash interior bottom dome strainer.



Dimensions in inches [mm]				
A Pipe Size/ Outlet Type	E Body Height Dimensions		Approximate Weight lb [kg]	Grate Open Area sq in [cm ²]
	Z	ZN		
Inside Caulk (IC)				
3IC, 4IC	10-5/8 [270]	11 [279]	34 [15]	22 [142]
No-Hub (NH)				
2NH, 3NH, 4NH	10-5/8 [270]	11 [279]	34 [15]	22 [142]
Neo-Loc (NL)				
2NL, 3NL, 4NL	10 [254]	10-3/8 [264]	34 [15]	22 [142]



-KC-23 Options Shown

Z1950-KC-23 Sani-Flor Receptor, 12" diameter x 8" deep cast iron body and round slotted light-duty grate with white acid resisting porcelain enamel interior and top with seepage flange with seepage holes and clamp collar (-KC) and aluminum bucket (-23).

PREFIXES	DESCRIPTION	A PIPE SIZE	Z (A.R.E.)	ZN (N.B.)
Z1950*	Cast Iron Body with White A.R.E. Interior and Top	2", 3", 4"	1,820.00	-
ZN1950	Cast Iron Body with White A.R.E. Interior and Top, 12-1/2" [318mm] Round N.B. Frame, and Full Grate with 1/2" [13mm] Square Openings	2", 3", 4"	-	2,002.00
OUTLETS (SPECIFY PIPE SIZE IN INCHES AND TYPE OF OUTLET)				
OUTLET TYPE	PIPE SIZE/ OUTLET TYPE		ADD	
IC	Inside Caulk	3IC, 4IC	N/C	N/C
NH	No-Hub	2NH, 3NH, 4NH	N/C	N/C
NL	Neo-Loc	2NL, 3NL, 4NL	N/C	N/C
SUFFIXES			ADD	
			Z (A.R.E.)	ZN (N.B.)
-K	Anchor Flange		288.00	288.00
-KC	Anchor Flange with Seepage Holes and Clamp Collar		351.00	351.00
-LD	Less Bottom Dome Strainer		N/C	N/C
-P	1/2" Trap Primer Connection (See Z1023)		126.00	126.00
Ⓢ -TC	Neo-Loc Test Cap Gasket (2", 3", 4" [51mm-102mm] NL Bottom Outlet Only)		86.00	86.00
-1	Less Grate		N/C	N/C
-2	1/2 Grate		N/C	N/C
-3	3/4 Grate		N/C	N/C
-4	Full Grate with Center Opening		117.00	117.00
-6	Grate with 6" [152mm] Dia. x 6" [152mm] High Funnel		328.00	425.00
-8	Grate with 8-7/8" x 3-5/8" x 3-3/4" [225mm x 92mm x 95mm] High Oval Funnel		356.00	596.00
-11	Vandal-Proof Secured Grate (ZN only)		N/A	66.00
-15	Solid Loose Set Cover		73.00	128.00
-23	Aluminum Bucket		168.00	168.00
-25	White A.R.C. Bucket		406.00	406.00
-31	Stainless Steel Mesh Liner for Bucket		351.00	351.00
-32	Aluminum Dome Strainer		N/C	N/C
-33	White A.R.C. Anti-Splash Bottom Dome Strainer		234.00	234.00

*Regularly furnished unless otherwise specified.

Ⓢ This symbol denotes a product that is engineered to reduce installation and rework time.

For additional product information, please visit www.zurn.com

Z1960 8" DIAMETER [203 MM] A.R.E. SANI-FLOR RECEPTOR WITH 6" [152 MM] SUMP DEPTH

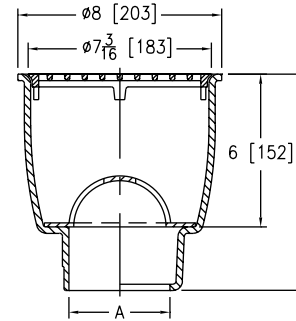


ENGINEERING SPECIFICATION

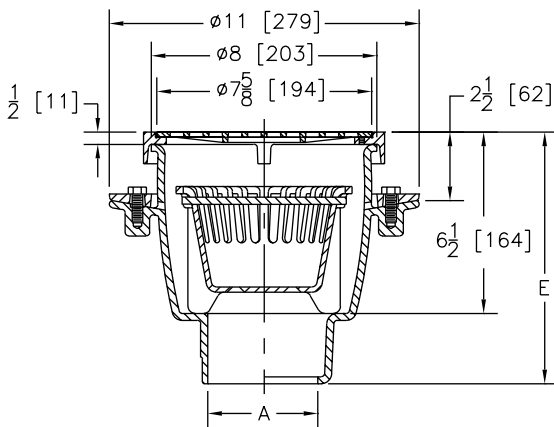
Zurn Z1960 Sani-Flor receptor features 8" [203mm] diameter x 6" [152mm] deep cast iron body and square hole, light-duty grate with white acid resisting porcelain enamel interior and top - complete with white ABS anti-splash interior bottom dome strainer.

NOTE

†Add 9/16" [14mm] to 8" [203mm] dimension when specifying ZN1960.



Dimensions in inches [mm]		Approximate Weight lb [kg]	Grate Open Area sq in [cm ²]
A Pipe Size/Outlet Type	E Body Height Dimensions		
	Z	ZN	
Inside Caulk (IC)			
3IC, 4IC	8-1/2 [216]	9 [229]	25 [11] 14 [6]
No-Hub (NH)			
2NH, 3NH, 4NH	8-1/2 [216]	9 [229]	25 [11] 14 [6]
Neo-Loc (NL)			
2NL, 3NL, 4NL	8 [203]	8-7/16 [214]	25 [11] 14 [6]



-T-KC-23 Options Shown

Z1960-T-KC-23 Sani-Flor Receptor, 8-1/2" square frame x 7-5/8" round light-duty grate with 1/4" openings (-T) x 6-1/2" deep cast iron body with white acid resisting porcelain enamel interior and nickel bronze frame and grate with seepage flange with seepage holes and clamp collar (-KC) and aluminum bucket (-23).

PREFIXES	DESCRIPTION	A PIPE SIZE	Z (A.R.E.)	ZN (N.B.)
Z1960*	Cast Iron Body with White A.R.E. Interior and Top	2", 3", 4"	1,165.00	-
ZN1960†	Cast Iron Body with White A.R.E. Interior and Top, 8-1/2" [216mm] Round N.B. Frame, and Full Grate with 1/2" [13mm] Square Openings	2", 3, 4"	-	1,283.00
OUTLETS (SPECIFY PIPE SIZE IN INCHES AND TYPE OF OUTLET)				
OUTLET TYPE	PIPE SIZE/OUTLET TYPE	ADD		
IC	Inside Caulk	3IC, 4IC	N/C	N/C
NH	No-Hub	2NH, 3NH, 4NH	N/C	N/C
NL	Neo-Loc	2NL, 3NL, 4NL	N/C	N/C
SUFFIXES			Z (A.R.E.)	ZN (N.B.)
-K	Anchor Flange		203.00	203.00
-KC	Anchor Flange with Seepage Holes and Clamp Collar		345.00	345.00
-LD	Less Bottom Dome Strainer		N/C	N/C
-P	1/2" Trap Primer Connection (See Z1023)		126.00	126.00
-T	Square Frame and Round Grate with 1/4" [6mm] Square Openings (ZN only)		N/A	181.00
-TC	Neo-Loc Test Cap Gasket (2", 3", 4" [51mm-102mm] NL Bottom Outlet Only)		86.00	86.00
-1	Less Grate		N/C	N/C
-2	1/2 Grate		N/C	N/C
-3	3/4 Grate		N/C	N/C
-4	Full Grate with Center Opening		117.00	117.00
-6	Grate with 6" [152mm] Dia. x 6" [152mm] High Funnel		328.00	425.00
-8	Grate with 8-7/8" x 3-5/8" x 3-3/4" [225mm x 92mm x 95mm] High Oval Funnel		356.00	596.00
-11	Vandal-Proof Secured Grate (ZN only)		N/A	66.00
-15	Solid Loose Set Cover		73.00	128.00
-23	Aluminum Bucket		143.00	143.00
-25	White A.R.C. Bucket		351.00	351.00
-31	Stainless Steel Mesh Liner for Bucket		351.00	351.00
-32	Aluminum Dome Strainer		N/C	N/C
-33	White A.R.C. Anti-Splash Bottom Dome Strainer		234.00	234.00

Z1970 9" [229 MM] DIAMETER SHALLOW A.R.C. SANI-FLOR RECEPTOR WITH 3" [76 MM] SUMP DEPTH

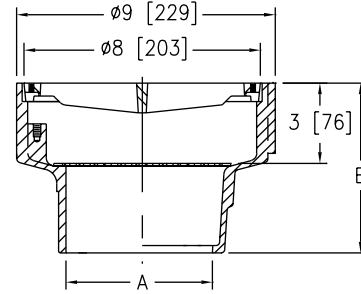


ENGINEERING SPECIFICATION

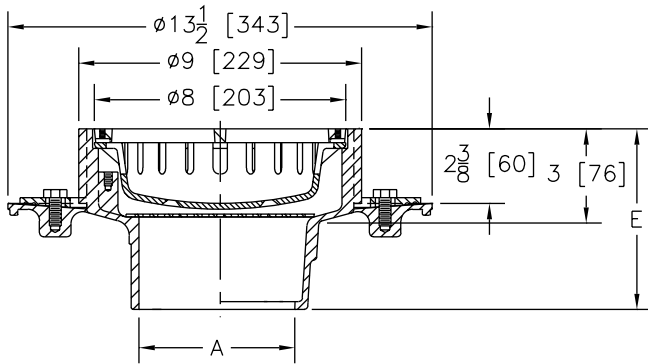
Zurn Z1970 Sani-Flor receptor features 9" [229mm] diameter x 3" [76mm] deep cast iron body and round slotted, medium-duty grate with white acid resisting epoxy coated interior and top - complete with brass secondary strainer.

NOTE

†Add 11/16" [18mm] to 9" [229mm] dimension when specifying ZN1970.



Dimensions in inches [mm]		Approximate Weight lb [kg]	Grate Open Area sq in [cm ²]
A Pipe Size/Outlet Type	E Body Height Dimensions		
	Z	ZN	
No-Hub (NH)			
2NH, 3NH, 4NH	5-3/4 [146]	6 [152]	14 [6] 18 [116]
Neo-Loc (NL)			
2NL, 3NL, 4NL	4-7/8 [124]	5-1/8 [130]	14 [6] 18 [116]



-KC-25 Options Shown

Z1970-KC-25 Sani-Flor Receptor, 9" diameter x 2-3/8" deep cast iron body and round slotted medium-duty grate with white acid resisting epoxy coated interior and top with seepage flange with seepage holes and clamp collar (-KC) and white A.R.C. bucket (-25).

PREFIXES	DESCRIPTION	A PIPE SIZE	Z (A.R.C.)	ZN (N.B.)
Z1970*	Cast Iron Body with White A.R.C. Interior and Top	2", 3", 4"	1,129.00	-
ZN1970†	Cast Iron Body with White A.R.C. Interior and Top, 9" [229mm] Round N.B. Frame, and Full Slotted Grate	2", 3", 4"	-	1,243.00
OUTLETS (SPECIFY PIPE SIZE IN INCHES AND TYPE OF OUTLET)				
OUTLET TYPE	PIPE SIZE/OUTLET TYPE			ADD
NH	No-Hub	2NH, 3NH, 4NH	N/C	N/C
NL	Neo-Loc	2NL, 3NL, 4NL	N/C	N/C
SUFFIXES				
			Z (A.R.C.)	ZN (N.B.)
-KC	Anchor Flange with Seepage Holes and Clamp Collar		213.00	213.00
-P	1/2" Trap Primer Connection (See Z1023)		126.00	126.00
Ⓢ -TC	Neo-Loc Test Cap Gasket (2", 3", 4" [51mm-102mm] NL Bottom Outlet Only)		86.00	86.00
-2	1/2 Grate		N/C	N/C
-3	3/4 Grate		N/C	N/C
-4	Full Grate with Center Opening		117.00	117.00
-5	Grate with 4" [102mm] Dia. x 3-3/4" [95mm] High Funnel		254.00	284.00
-7	Grate with 6-3/4" x 3" x 1" [171mm x 76mm x 19mm] High Oval Funnel		255.00	284.00
-11	Vandal-Proof Secured Grate		102.00	102.00
-25	White A.R.C. Bucket		168.00	168.00
-31	Stainless Steel Mesh Liner for Bucket		227.00	227.00

*Regularly furnished unless otherwise specified.

Ⓢ This symbol denotes a product that is engineered to reduce installation and rework time.

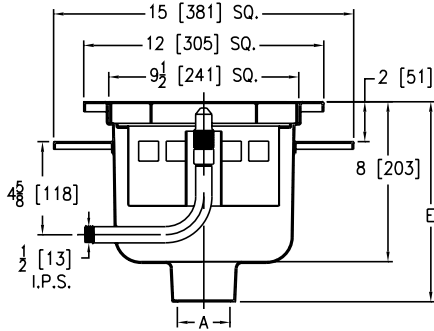
For additional product information, please visit www.zurn.com

Z1982 12" X 12" [305 MM X 305 MM] STAINLESS STEEL SANI-FLOR CAN WASH DRAIN WITH 8" [203 MM] SUMP DEPTH



ENGINEERING SPECIFICATION

Zurn Z1982 Sani-Flor can wash drain features 12" x 12" x 8" [305mm x 305mm x 203mm] deep fabricated stainless steel body, bottom outlet, anchor pan, medium-duty, loose set grate, and standing sediment bucket. Comes complete with chrome-plated bronze spray nozzle and water supply assembly.



PREFIXES	DESCRIPTION	A PIPE SIZE	LIST PRICE
Z1982*	All Type 304 Stainless Steel	3", 4"	3,162.00
OUTLETS (SPECIFY PIPE SIZE IN INCHES AND TYPE OF OUTLET)			
OUTLET TYPE	PIPE SIZE/OUTLET TYPE		ADD
NH	No-Hub	3NH, 4NH	N/C
SUFFIXES			ADD
-C	Clamp Collar		143.00
-WB	Water Supply Control Box (See Z1464)		#VALUE
-11	Vandal-Proof Secured Grate		398.00
-31	Stainless Steel Mesh Liner for Bucket		351.00

Dimensions in inches [mm]		Approximate Weight lb [kg]	Grate Open Area sq in [cm ²]
A Pipe Size/Outlet Type	E Body Height Dimensions		
No-Hub (NH)			
3NH, 4NH	10 [254]	45 [20]	20 [129]

Z1995 24" X 16" [610 MM X 406 MM] A.R.C. SANI-FLOR RECEPTOR WITH 17" [432 MM] SUMP DEPTH

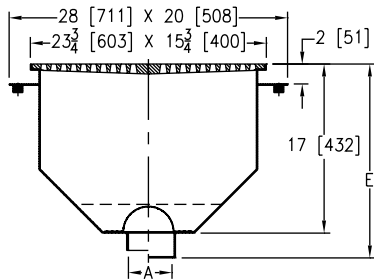


ENGINEERING SPECIFICATION

Zurn Z1995 Sani-Flor receptor features 24" x 16" x 17" [610mm x 406mm x 432mm] deep, white acid resisting epoxy coated interior, fabricated steel body, integral anchor flange, and rectangular square holed, heavy-duty grate - complete with stainless steel anti-splash interior bottom dome strainer.

NOTE

*Add 3/8" [10mm] to 15-3/4" x 23-3/4" [400mm x 603mm] and 3/16" [5mm] to 'E' dimensions when specifying ZN1995.



PREFIXES	DESCRIPTION	A PIPE SIZE	Z (A.R.C.)	ZN (N.B.)
Z1995*	Fabricated Steel Body with White A.R.C. Interior	3", 4", 6"	8,579.00	-
ZN1995†	Fabricated Steel Body with White A.R.C. Interior, 16-1/8" x 24-1/8" [410mm x 613mm] N.B. Frame and Full Grate with 1/4" [6mm] Square Openings	3", 4", 6"	-	9,438.00
OUTLETS (SPECIFY PIPE SIZE IN INCHES AND TYPE OF OUTLET)				
OUTLET TYPE	PIPE SIZE/OUTLET TYPE		ADD	
NH	No-Hub	3NH, 4NH, 6 NH	N/C	N/C
SUFFIXES			Z (A.R.C.)	ZN (N.B.)
-KC	Anchor Flange with Seepage Holes and Clamp Collar		419.00	419.00
-P	1/2" [13mm] Trap Primer Connection (See Z1023)		279.00	279.00
-2	1/2 Grate		N/C	N/C
-3	3/4 Grate		N/C	N/C
-6	Grate with 6" [152mm] Dia. x 6" [152mm] High Funnel		328.00	425.00
-25	White A.R.C. Bucket		898.00	898.00

Dimensions in inches [mm]		Approximate Weight lb [kg]	Grate Open Area sq in [cm ²]
A Pipe Size/Outlet Type	E Body Height Dimensions		
No-Hub (NH)			
3NH, 4NH, 6NH	Z 18-3/4 [476] ZN 19 [483]	250 [113]	70 [452]

TECHNICAL INFORMATION

TECHNICAL INFO - ZURN OUTLET PIPE CONNECTIONS	374
TECHNICAL INFO - TOP LOADING CLASSIFICATION	375
TECHNICAL INFO - ZURN MATERIALS AND FINISHES	376
GENERAL TERMS AND CONDITIONS	384

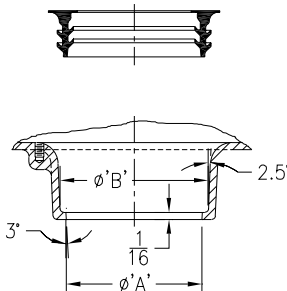
TECHNICAL INFO - ZURN OUTLET PIPE CONNECTIONS

INSIDE CAULK (IC)

Often specified where drain body is positioned on pipe, bottom of outlet is sealed with oakum and connection is then completed according to local plumbing codes.

INSIDE GASKET (IG)

The IG connections utilize an inside caulk drain body and a Zurn "Sealtrol" gasket. This connection is only recommended for basement or ground floor applications.

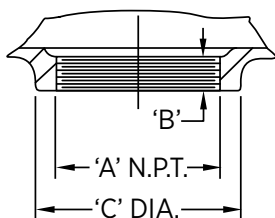


I.C. with Sealtrol Gasket (IG) Inside Caulk (IC)

OUTLETS	'A'	'B'	'C'
2" [51] I.C. Outlet	2-5/8 [67]	3-1/16 [78]	-
3" [76] I.C. Outlet	3-3/4 [95]	4-3/16 [106]	-
4" [102] I.C. Outlet	4-3/4 [121]	5-3/16 [132]	-
5" [127] I.C. Outlet	5-3/4 [146]	6-3/16 [157]	-
6" [152] I.C. Outlet	6-3/4 [172]	7-3/16 [183]	-
8" [203] I.C. Outlet	8-7/8 [226]	9-1/2 [241]	-

IRON PIPE (IP)

Zurn Iron Pipe Threaded connection is an old industry standard. The female (NPT) threaded outlet is often specified on industrial and institutional applications.

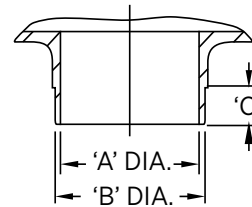


I.P. (Threaded/N.P.T.)

OUTLETS	'A'	'B'	'C'
2" [51] N.P.T. Outlet	2 [51]	9/16 [14]	3-1/4 [83]
3" [76] N.P.T. Outlet	3 [76]	3/4 [19]	4-1/2 [114]
4" [102] N.P.T. Outlet	4 [102]	15/16 [24]	5-5/8 [143]
5" [127] N.P.T. Outlet	5 [127]	15/16 [24]	6-11/16 [170]
6" [152] N.P.T. Outlet	6 [152]	1 [25]	7-3/4 [197]
8" [203] N.P.T. Outlet	8 [203]	1-1/8 [29]	9-3/8 [238]

NO-HUB (NH)

The most widely used connection. A No-Hub connection is achieved by butting No-Hub soil pipe or plastic pipe to the bottom of drain and securing it with a NH joint clamp. (Clamp furnished by others.)



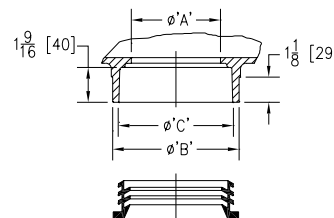
No-Hub (NH)

OUTLETS	'A'	'B'	'C'
2" [51] No-Hub Outlet	2 [51]	2-3/8 [60]	1-9/16 [40]
3" [76] No-Hub Outlet	3 [76]	3-3/8 [86]	1-9/16 [40]
4" [102] No-Hub Outlet	4 [102]	4-3/8 [111]	1-9/16 [40]
5" [127] No-Hub Outlet	4-15/16 [126]	5-5/16 [135]	2-1/16 [52]
6" [152] No-Hub Outlet	5-15/16 [151]	6-5/16 [160]	2-1/16 [52]
8" [203] No-Hub Outlet	8 [203]	8-3/8 [213]	2-1/16 [52]
10" [254] No-Hub Outlet	10 [254]	10-9/16 [268]	2-1/16 [52]
12" [305] No-Hub Outlet	12 [305]	12-9/16 [319]	2-1/16 [52]

NEO-LOC (NL)

Zurn Neo-Loc is a unique labor-saving compression gasketed connection designed to simply push on the stub end of the pipe. The Neo-Loc drain body and gasket can be utilized with plastic, steel, No-Hub and service weight soil pipe. A unique pipe stop cast in each Zurn Neo-Loc drain body ensures a proper fit.

Note: Not recommended for roof drain applications due to the watertight integrity of the Neo-Loc connection to the leader pipe being dependent upon adequate leader pipe support and accurate perpendicularity of leader pipe into Neo-Loc gasket.



"Neo-Loc" (NL)

OUTLETS	'A'	'B'	'C'
2" [51] Neo-Loc Outlet	2 [51]	3-3/8 [86]	3 [76]
3" [76] Neo-Loc Outlet	3 [76]	4-3/8 [111]	4 [102]
4" [102] Neo-Loc Outlet	4 [102]	5-1/2 [140]	5-1/8 [130]
2" [51] NL w/-TC	2 [51]	3-3/8 [86]	3 [76]
3" [76] NL w/-TC	3 [76]	4-3/8 [111]	4 [102]
4" [102] NL w/-TC	4 [102]	5-1/2 [140]	5-1/8 [130]

Special Note: Zurn "Neo-Loc" and "Sealtrol" gaskets are designed for use exclusively with Zurn drainage products. They are not sold separately and all warranties either expressed or implied would be forfeited if used in other than a Zurn drainage product.

TECHNICAL INFO - TOP LOADING CLASSIFICATION

Selection of a Zurn Floor Drain should be based on the load factor and the anticipated traffic. Many of Zurn's cast iron grates may be furnished in Duresist iron when increased working load requirements are necessary. Specify Duresist grate (-DG) when required or contact your Zurn representative when special applications are necessary.

Zurn drains are rated as follows: (Reference ASME Standard A112.6.3M)

6.1 – LOADING CLASSIFICATIONS

Grates and top rims shall be designed to meet the following loading classifications.

6.1.1 – LIGHT DUTY

All grates having safe live load (as calculated in para. 6.2.5) under 2000 lb. [900 kg].

6.1.2 – MEDIUM DUTY

All grates having safe live load (as calculated in para. 6.2.5) between 2000 lb. [900 kg] and 4999 lb. [2250 kg].

6.1.3 – HEAVY DUTY

All grates having safe live load (as calculated in para. 6.2.5) between 5000 lb. [2250 kg] and 7499 lb. [3375 kg].

6.1.4 – EXTRA HEAVY DUTY

All grates having safe live load (as calculated in para. 6.2.5) between 7500 lb. [3375 kg] and 10,000 lb. [4500 kg].

6.1.5 – SPECIAL DUTY

Grates having safe live load (as calculated in para. 6.2.5) over 10,000 lb. [4500 kg] shall be considered special and treated accordingly.

6.2 – TEST PROCEDURE FOR GRATE LOADING

Live Load – Requirements listed in 6.1 through 6.1.5 shall be determined as follows:

*Safe live load rating of grates is for general classification purposes only.
For the actual safe live load of any given grate, contact your Zurn representative.

Note: ZB and ZN 400 Series drain head assemblies are rated for light-duty applications only.

6.2.1 – LOAD CLASSIFICATIONS

Load classifications as stated in 6.1 shall be determined by laboratory tests.

6.2.2 – PLATEN SIZE

A 3.5 in. [89 mm] diameter platen shall be applied to the center of the grate specimen.

6.2.3 – LOADING

Loading shall be applied slowly so that point of failure can be observed.

6.2.4 – POINT OF FAILURE

(a) Brittle Materials (Cast Iron). The load (in pounds or kilograms) at which the first fracture on any part of the specimen appears.

(b) Ductile Material. The load which the permanent set (at the point of loading) is greater than 2% of the longest transverse dimension of the specimen.

6.2.5 – GRATE CLASSIFICATION

The maximum safe live load is computed by dividing the load at failure by two.

INTRO

ROOF DRAINS

FLOOR DRAINS

T, P, BW VALVES

INTERCEPTORS

CARRIERS

HYDRANTS

CLEANOUTS

WHA

SS DRAINS

FAB SS DRAINS

SANI-FLOOR

TECH INFO

TECHNICAL INFO - ZURN MATERIALS AND FINISHES

ZURN CAST IRON

Conforms to ASTM Specification for Gray Iron Castings A48, Class 25. It is produced utilizing the latest equipment and newest developed foundry techniques. Zurn cast iron castings are characterized by a high degree of strength, corrosion-resistance, workmanship, and finish.

ZURN DURESIST

A ductile iron complying with ASTM Specification A536, Grade 60-45-10. Its physical properties make it ideal for grates and drain components that are subjected to severe and heavy duty service. Its chemical characteristics make possible a degree of corrosion-resistance far superior to that of cast iron. Zurn Duresist exhibits remarkable stress qualities, possessing a yield strength in the same range as that of cast carbon steel, while its ability to absorb the shock loading of traffic areas is unequalled, making its use ideal for all areas where extra heavy duty service is a requirement – whether indoors or outdoors – in chemical and metal processing plants or other industrial applications.

ZURN DURA-COAT

A specially formulated paint designed to resist cracking and chipping. Dura-Coat is a latex-based coating developed to be used with cast iron substrate. Dura-Coat is designed, per ASME standards, to protect the product "during normal handling and warehousing prior to installation".

ZURN GALVANIZED CAST IRON

A process of applying heavy zinc coating to a thoroughly cleaned iron casting. This coating contains 95% zinc. Zurn galvanizing can be supplied on all cast iron parts. It increases longevity and is recommended wherever the discoloration caused by oxidation of cast iron is objectionable. Galvanize should be used in industrial areas where corrosive atmosphere may be encountered.

CADMIUM PLATED CAST IRON

A process of applying a heavy cadmium coating to a thoroughly cleaned iron casting. This coating contains 95% cadmium in a cold applied process. Cadmium plating can be supplied on all cast iron parts. It increases longevity and is recommended wherever the discoloration caused by oxidation of cast iron is objectionable.

PROPERTIES OF BASIC DUCTILE VERSUS CAST IRON

METAL	CAST IRON	DUCTILE IRON
Specification	Class 25	60-45-10
Tensile Strength (PSI)	25/30,000	60/80,000
Yield Strength (PSI)	NIL	45/60,000
Elongation	NIL	10% to 25%
Modules of Elasticity	16 x 10	24 x 10

ZURN BRONZE

A semi-red brass conforming to ASTM Specification for Copper Alloy Sand Casting B584, Copper Alloy No. 844. The exposed surface is normally supplied possessing a satin sheen texture which allows it to blend unobtrusively with surrounding finishes. When the application requires, Zurn Bronze can be polished to a high gloss.

ZURN NICKEL BRONZE

A unique material that is ideally suited to traffic-bearing grates and strainers in finished floor areas. It affords the combined advantage of greater strength, better appearance, and longer service life at the same price as chrome plated brass. Superior ductility and shock resistance are the result of a copper nickel alloy (Copper Alloy 997) having a wearing surface similar in appearance to satin chrome plate; however, because it does not have a plated surface it cannot chip, peel, crack, or wear off. It is highly resistant to corrosion; however, the process of oxidation will naturally occur over time with most metals. Methods have been developed to prevent, preserve, and restore metals affected by oxidation.

CHROME PLATED BRONZE

Ideal for installation in walls, gutters, and other areas where a bright decorative finish is desired, and is not subject to the abrasive action of foot and other traffic. It is not recommended for installations where the abrasion will eventually wear through and cause peeling. It should always be specified for swimming pool fittings due to its high resistance to the halogens (chlorine, etc.), encountered in swimming pool sanitation.

ALUMINUM

Casting grade 319. This is an alloy containing both silicon and copper. It is a solid cast metal in a pleasing light gray color. The light weight, coupled with its exceptional strength and corrosion resistance, makes it ideal for drain components such as sediment buckets and strainers. When used with acid-resisting porcelain enamel coated drains, the possibility of chipping is minimized.

ZURN STAINLESS STEEL

Castings are normally produced in Type CF8 (304) which is an 18-8 Austenitic Stainless possessing excellent corrosion resistant qualities. For some applications where conditions demand, Type CF8M (316) stainless steel can be supplied. Items formed from stainless steel sheet and other stainless steel products are regularly furnished in Type 304 with 316 as an optional material.

A.R.C.

Acid Resisting Epoxy Coating is a baked-on powder coating, which produces a smooth, hard, high gloss finish. This epoxy based coating offers high impact resistance and excellent life expectancy in all drainage applications.

A.R.E.

Acid Resisting Porcelain Enamel is a substantially vitreous or glassy inorganic coating bonded to metal by fusion at a high temperature above 800°F. This coating offers excellent acid, abrasion, and wear resistance. The coating is extremely hard and is the ultimate for sanitation in drainage applications. Zurn A.R.E. coating conforms to the requirements of F.D.A. (Food and Drug Administration) Regulation 21-CFR5 117.1360.

ALPHANUMERIC INDEX

ABBREVIATIONS USED IN THIS CUSTOMER GUIDE	21	Z104 15" [381 MM] DIAMETER DEEP SUMP ROOF DRAIN WITH LOW SILHOUETTE DOME	28	Z189 5" X 6" X 11" [127 MM X 152 MM X 279 MM] SCUPPER DRAIN	52
⌚ A PERFECT FIT: Z1322XL-EZ AND Z1332XL-EZ ECOLOTROL™ WALL HYDRANTS	15	Z105 CONTROL-FLO™ ROOF DRAIN WITH PARABOLIC WEIR	29	Z190 VERTICAL EXPANSION JOINT	52
CARRIER – APPLICATION INDEX	220	Z107 20" [508 MM] WIDE DECK FLANGE ROOF DRAIN	30	Z191 5" X 4" X 24" [127 MM X 102 MM X 610 MM] DOWNSPOUT BOOT	53
CARRIER – HOW TO SPECIFY	220	Z108 15" [381 MM] DIAMETER DECK RECEPTOR DRAIN	31	Z191-RD 4" X 18" [127 MM X 457 MM] DOWNSPOUT BOOT	53
CARRIER – PRODUCT COMPLIANCE	220	Z110 15" [381 MM] GREEN ROOF DRAIN WITH PERFORATED SCREEN ASSEMBLY, AND REMOVABLE COVER WITH LIFT HANDLE	32	Z192 4" X 3" [102 MM X 76 MM] DOWNSPOUT BOOT	54
CARRIER – TECHNICAL DATA	220	Z110-AI GREEN ROOF DRAIN WITH PERFORATED SCREEN ASSEMBLY, REMOVABLE COVER WITH LIFT HANDLE, AND AUXILIARY INLET	33	Z193 VANDAL-PROOF HOODED VENT CAP	54
CLEANOUTS – APPLICATION INDEX	300	Z111 12" [305 MM] DIAMETER FLAT DECK ROOF DRAIN FOR METAL DECKS	34	Z195 VENT STACK FLASHING SLEEVE	55
CUSTOMER GUIDE INSTRUCTIONS	20	Z121 12" [305 MM] DIAMETER ROOF DRAIN LOW SILHOUETTE DOME	35	Z196 VENT STACK FLASHING SLEEVE	55
⌚ EZ HYDRANTS: Z1327-EZ, Z1350-EZ, Z1320XL-EZ	16	Z122 12" [305 MM] DIAMETER DECK RECEPTOR DRAIN	37	Z197 RISER SLEEVE	56
FLOOR DRAINS - APPLICATION INDEX	61	Z125 8-3/8" [203 MM] DIAMETER ROOF DRAIN LOW SILHOUETTE DOME	38	Z198 PARAPET SCUPPER SLEEVE	56
FLOOR DRAINS - GENERAL INFORMATION	61	Z127 8-1/2" [216 MM] DIAMETER DECK RECEPTOR DRAIN	39	Z199-DC DOWNSPOUT COVER	58
GENERAL TERMS AND CONDITIONS	384	Z129 8" [203 MM] MAIN ROOF DRAIN	40	Z199 DOWNSPOUT NOZZLE	57
GREASE INTERCEPTORS – OPERATION	187	⌚ Z130 14-9/32" [203 MM] DIAMETER SIPHONIC MAIN ROOF DRAIN	41	Z211-A FLOOR DRAIN WITH ROUND STRAINER	62
GREASE INTERCEPTORS – PURPOSE	186	⌚ Z130 SIPHONIC ROOF DRAIN WITH DECK PLATE	11	Z211 FLOOR DRAIN BODY ONLY	62
GREEN ROOFING DRAINAGE SOLUTIONS	13	⌚ Z131 14-9/32" [363 MM] DIAMETER SIPHONIC OVERFLOW ROOF DRAIN	41	Z211-Y FLOOR DRAIN WITH SQUARE HEAVY-DUTY STRAINER	65
HYDRANTS - APPLICATION INDEX	282	Z135-6 8" [203 MM] MAIN ROOF DRAIN FOR CONVENTIONAL INVERTED PROMENADE DECK ROOF	42	Z300 THOROFLUSH DRAIN	65
INTERCEPTORS – APPLICATION INDEX	186	Z150 14" [356 MM] SQUARE TOP PROM-DECK DRAIN WITH HEEL-PROOF GRATE AND ROTATABLE FRAME	43	Z310 THOROFLUSH DRAIN	66
INTERCEPTORS – GENERAL INFORMATION	186	Z154 12" [305 MM] SQUARE TOP PROM-DECK DRAIN WITH HEEL-PROOF GRATE AND ROTATABLE FRAME	44	Z315 VANDAL-PROOF ACCESS DRAIN	66
OIL INTERCEPTORS – APPLICATION INDEX	206	Z158 10" [254 MM] SQUARE TOP PROM-DECK DRAIN WITH HEEL-PROOF GRATE AND ROTATABLE FRAME	45	Z319 THOROFLUSH DRAIN – LARGE CAPACITY	67
OIL INTERCEPTORS – GENERAL PRODUCT INFORMATION	206	Z160 135° SCUPPER DRAIN	46	Z320 REFRIGERATOR DRAIN	67
ROOF DRAIN - APPLICATION INDEX	24	Z161 3" X 10" [76 MM X 254 MM] OBLIQUE SCUPPER DRAIN	46	Z325 INDIRECT WASTE FUNNEL WITH INTEGRAL BACKWATER VALVE	68
ROOF DRAIN - GENERAL INFORMATION	24	⌚ Z163 15" [381 MM] DIAMETER COMBINATION MAIN ROOF AND OVERFLOW DRAIN WITH LOW SILHOUETTE DOMES AND DOUBLE TOP-SET® DECK PLATE	47	Z326 INDIRECT WASTE FUNNEL	68
ROOF DRAIN - PRODUCT COMPLIANCE	24	⌚ Z164 12" [305 MM] DIAMETER COMBINATION MAIN ROOF AND OVERFLOW DRAIN WITH LOW SILHOUETTE DOMES AND DOUBLE TOP-SET® DECK PLATE	48	Z349 TERRACE PLANTING AREA DRAIN	69
SANI-FLOR RECEPTORS – MATERIAL SELECTION	356	⌚ Z165 8-3/8" [213 MM] DIAMETER COMBINATION MAIN ROOF AND OVERFLOW DRAIN WITH LOW SILHOUETTE DOMES AND DOUBLE TOP-SET® DECK PLATE	49	Z350 PLANTING AREA DRAIN	69
SANI-FLOR RECEPTORS – OPTIONS AND VARIATIONS	356	Z180 4-1/2" [114 MM] DIAMETER CORNICE DRAIN WITH BOTTOM OUTLET	49	Z355 PRISON CELL FLOOR DRAIN	70
SOLIDS INTERCEPTORS – APPLICATION INDEX	198	Z181 6" [152 MM] DIAMETER CORNICE DRAIN WITH BOTTOM OUTLET	50	⌚ Z400-18 LEVELING RING	84
SOLIDS INTERCEPTORS – GENERAL PRODUCT INFORMATION	198	Z182 4-1/2" [114 MM] DIAMETER CORNICE DRAIN WITH 90° OUTLET	50	⌚ Z400-SR FLOOR DRAIN STABILIZER RING	84
SOLIDS INTERCEPTORS – SIZING	198	Z185 6" [152 MM] DIAMETER CORNICE DRAIN WITH 90° OUTLET	51	Z400 "TYPE BL" ROUND STRAINER WITH DEX-O-TEX FLANGE	73
⌚ STABILIZER SOLUTIONS	7	Z187 6" X 7" [152 MM X 178 MM] OR 8" X 12" [203 MM X 305 MM] OBLIQUE SCUPPER DRAIN	51	⌚ Z400 "TYPE BZ" ROUND LEVELING STRAINER WITH SQUARE OPENINGS	74
STAINLESS STEEL DRAINS – APPLICATION INDEX	322			Z400 "TYPE C" ROUND HINGED STRAINER	74
STAINLESS STEEL DRAINS – BUTT-WELD ENGINEERING DATA	322			Z400 "TYPE D" ROUND STRAINER WITH SOLID HINGED COVER	75
TECHNICAL INFO - TOP LOADING CLASSIFICATION	375			Z400 "TYPE E" ROUND STRAINER WITH INTEGRAL FUNNEL	75
TECHNICAL INFO - ZURN MATERIALS AND FINISHES	376			Z400 "TYPE G" ROUND STRAINER WITH DOME	76
TECHNICAL INFO - ZURN OUTLET PIPE CONNECTIONS	374			Z400 "TYPE I" ROUND STRAINER WITH RAISED LIP	77
⌚ THE RACE FOR TIME - Z1231-EZ	8			Z400 "TYPE J" RECTANGULAR STRAINER WITH HEEL-PROOF SLOTTED OPENINGS	78
TRAPS, PRIMERS, AND BACKWATER VALVES – APPLICATION INDEX	170			Z400 "TYPE K" ANGULAR STRAINER	79
TRAPS, PRIMERS, AND BACKWATER VALVES – OPTIONS AND VARIATIONS	170			Z400 "TYPE M" ROUND STRAINER WITH SLOTTED OPENINGS AND SUR-SET BUCKET	79
TYPICAL PRODUCT PAGE NAVIGATION	20			Z400 "TYPE N" ROUND STRAINER WITH DEEP FLANGED GRATE	80
VP-DRIVER VANDAL-PROOF DRIVER	168			Z400 "TYPE SC" SQUARE STRAINER WITH SOLID HINGED COVER	82
Z100 15" [381 MM] DIAMETER MAIN ROOF DRAIN WITH HIGH PROFILE DOME	25			Z400 "TYPE SH" SQUARE HINGED STRAINER	82
Z101 HIGH CAPACITY 20" [508 MM] DIAMETER MAIN ROOF DRAIN WITH LOW SILHOUETTE DOME	26				
⌚ Z103 15" [381 MM] DIAMETER DEEP SUMP DUAL OUTLET ROOF DRAIN WITH LOW SILHOUETTE DOME	26				
⌚ Z103-45 45° 15" [381 MM] DIAMETER DEEP SUMP DUAL OUTLET ROOF DRAIN WITH LOW SILHOUETTE DOME	27				

For additional product information, please visit www.zurn.com

ALPHANUMERIC INDEX

Z400 "TYPE SL" SQUARE STRAINER WITH DEX-O-TEX FLANGE	83	Z513 9" [229 MM] SQUARE HINGED HEAVY-DUTY DRAIN	131	Z629 VERTICAL WALL DRAIN WITH BACKWATER VALVE	157
Z400 "TYPE S" SQUARE STRAINER	81	Z520 9" [229 MM] ADJUSTABLE HEAVY-DUTY DRAIN	132	Z662 16" [406 MM] HEAVY-DUTY DRAIN	158
☉ Z400 "TYPE SZ" SQUARE LEVELING STRAINER WITH SLOTTED OPENINGS	83	Z521 12" [305 MM] DIAMETER ADJUSTABLE HEAVY-DUTY DRAIN	133	Z662-HF 16" [406 MM] HEAVY-DUTY DRAIN WITH HIGH FLOW DUCTILE IRON GRATE	159
Z400 "TYPE Y" SQUARE STRAINER	85	Z526 12" [305 MM] ADJUSTABLE HEAVY-DUTY DRAIN	134	Z664 6" [152 MM] WIDE HEAVY-DUTY MODULAR TRENCH DRAIN	160
Z400-U ADJUSTABLE STRAINER EXTENSION	84	Z530 9" [229 MM] MEDIUM-DUTY WIDE FLANGE DECK DRAIN	135	Z665 12" [305 MM] WIDE HEAVY-DUTY MODULAR TRENCH DRAIN	161
Z414-1 3-1/2" X 9" [89 MM X 229 MM] OVAL FUNNEL	87	Z531 9" [229 MM] ADJUSTABLE FRAME WIDE FLANGE MEDIUM-DUTY DECK DRAIN	135	Z667 6" [152 MM] WIDE MEDIUM-DUTY MODULAR TRENCH DRAIN	162
Z414 4" [102 MM] ROUND FUNNEL	87	Z532 12-1/4" [311 MM] DIAMETER WIDE FLANGE HEAVY-DUTY FLOOR DRAIN	136	Z668 11-1/4" X 19-1/4" [279 MM X 483 MM] HEAVY-DUTY DRAIN	162
Z415 BODY ASSEMBLY WITH "TYPE BL" STRAINER	95	Z533 9" [229 MM] DIAMETER HEAVY-DUTY PARKING DECK DRAIN WITH SUPPORT FLANGE	136	Z673 29" X 30" [737 MM X 762 MM] EXTRA HEAVY-DUTY DRAIN	163
☉ Z415 BODY ASSEMBLY WITH "TYPE BZ" LEVELING STRAINER	96	Z534 12-1/4" [311 MM] DIAMETER HEAVY-DUTY PARKING DECK DRAIN WITH SUPPORT FLANGE	137	Z675 13-1/2" [343 MM] EXTRA HEAVY-DUTY DRAIN	163
Z415 BODY ASSEMBLY WITH "TYPE C" STRAINER	97	Z535 HEAVY-DUTY PARKING STRUCTURE DRAIN	137	Z676 13-1/2" [343 MM] EXTRA HEAVY-DUTY DRAIN	164
Z415 BODY ASSEMBLY WITH "TYPE D" STRAINER	98	Z536-8 8" [203 MM] DIAMETER HEAVY-DUTY ADJUSTABLE FLOOR DRAIN	138	Z730 9" [229 MM] TOP MEDIUM-DUTY DRAIN	165
Z415 BODY ASSEMBLY WITH "TYPE E" STRAINER	99	Z536 15-3/8" [391 MM] DIAMETER HEAVY-DUTY PARKING DECK DRAIN WITH SUPPORT FLANGE	138	Z742 LIGHT-DUTY TRAP DRAIN	166
Z415 BODY ASSEMBLY WITH "TYPE G" STRAINER	100	Z537 15-7/8" [403 MM] SQUARE TOP HEAVY-DUTY PARKING DECK DRAIN WITH SUPPORT FLANGE	139	Z761 12-1/2" X 12-1/2" [318 MM X 318 MM] HEAVY-DUTY DRAIN	167
Z415 BODY ASSEMBLY WITH "TYPE I" STRAINER	102	Z539 12-1/4" [311 MM] HEAVY-DUTY DRAIN WITH DEEP SUMP	140	Z1000 DEEP SEAL TRAP	172
Z415 BODY ASSEMBLY WITH "TYPE J" HEEL-PROOF STRAINER	103	Z540 12-1/4" [311 MM] MEDIUM-DUTY DRAIN WITH SUR-SET BUCKET	141	Z1005 DEEP SEAL TRAP WITH ADJUSTABLE COVER	172
Z415 BODY ASSEMBLY WITH "TYPE K" STRAINER	104	Z541 12-1/4" [311 MM] DIAMETER HEAVY-DUTY DRAIN	142	Z1012 DEEP SEAL TRAP WITH FLOOR CLEANOUT	173
Z415 BODY ASSEMBLY WITH "TYPE M" STRAINER AND SUR-SET BUCKET	105	Z545 16" DIAMETER HEAVY-DUTY DRAIN	143	Z1019 FUNNEL DRAIN WITH "P" TRAP	173
Z415 BODY ASSEMBLY WITH "TYPE N" STRAINER	106	Z546 21-1/2" [546 MM] DIAMETER EXTRA HEAVY-DUTY DRAIN	144	Z1020-XL ELECTRONIC TRAP PRIMER	174
Z415 BODY ASSEMBLY WITH "TYPE SC" STRAINER	110	Z547 21" [533 MM] DIAMETER EXTRA HEAVY-DUTY HEEL-PROOF PARKING DECK DRAIN WITH SUPPORT FLANGE	144	Z1021 WATER SAVER TRAP PRIMER WITH 1-1/2" [38 MM] COPPER SWEAT WALL CONNECTION	174
Z415 BODY ASSEMBLY WITH "TYPE SH" STRAINER	111	Z550 9" [229 MM] DIAMETER MEDIUM-DUTY DRAIN	145	Z1022-XL LEAD-FREE SANI-GARD AUTOMATIC TRAP PRIMER	175
Z415 BODY ASSEMBLY WITH "TYPE SL" STRAINER	112	Z551 9" [229 MM] DIAMETER MEDIUM-DUTY DRAIN	146	Z1023 TRAP PRIMER CONNECTION ADAPTER	175
Z415 BODY ASSEMBLY WITH "TYPE S" STRAINER	108	Z554 9" [229 MM] MEDIUM-DUTY DRAIN WITH SUR-SET BUCKET	146	Z1024 FIXED AIR GAP	176
☉ Z415 BODY ASSEMBLY WITH "TYPE SZ" LEVELING STRAINER	113	Z555 8" [203 MM] HEAVY-DUTY FLOOR DRAIN WITH DEEP ANTI-TILT GRATE	147	Z1025 FIXED AIR GAP	176
Z415 FLOOR DRAIN BODY WITH CLAMPING COLLAR	88	Z556 8" [203 MM] ADJUSTABLE HEAVY-DUTY DRAIN	148	Z1030 HUB ADAPTER	177
Z415-U BODY ASSEMBLY WITH "TYPE U" HUB FUNNEL	114	Z566 12" [305 MM] SQUARE OPEN TOP DRAIN	149	Z1032 INSIDE CAULK REDUCER	177
Z420 DEEP SHANK FLOOR AND SHOWER DRAIN FOR MARBLE AND GRANITE APPLICATIONS	117	Z575 6" X 12" [152 MM X 305 MM] MEDIUM-DUTY GUTTER DRAIN	149	Z1033 FEMALE PIPE THREAD REDUCER	178
Z450 DRUM TRAP DRAIN WITH "TYPE B" STRAINER	118	Z587 12-1/4" X 9-1/2" [311 MM X 241 MM] MEDIUM-DUTY DRAIN	150	Z1034 FEMALE PIPE ECCENTRIC REDUCER	178
Z451 SHALLOW TRAP DRAIN WITH "TYPE B" STRAINER	119	Z609 9" [229 MM] SQUARE HEAVY-DUTY DRAIN	151	☉ Z1035 FLOOR DRAIN INSTALLATION STABILIZER	179
Z453 DEEP SEAL TRAP DRAIN WITH "TYPE B" STRAINER	120	Z610 12-1/2" [318 MM] HEAVY-DUTY DRAIN	152	☉ Z1035-Q STRUCTURAL DECK DRAIN STABILIZER	179
Z455 TRAP DRAIN WITH FLOOR CLEANOUT WITH "TYPE B" STRAINER	121	Z610-ADJ 12" [305 MM] SQUARE HEAVY-DUTY ADJUSTABLE DRAIN	153	☉ Z1036 FLOOR DRAIN INSTALLATION STABILIZER	180
Z456 DEEP SEAL TRAP DRAIN WITH FLOOR CLEANOUT AND CLAMP COLLAR WITH "TYPE B" STRAINER	122	Z611 9" [229 MM] MEDIUM-DUTY DRAIN	154	Z1040 NO-HUB ADAPTER	180
Z460B SHALLOW BODY FLOOR DRAIN WITH SIDE OUTLET AND "TYPE B" STRAINER	123	Z624 ISOLATION DECK DRAIN	155	Z1042 ELBOW ADAPTER	181
Z461 6" [152 MM] SQUARE MODULAR NON-ADJUSTABLE FLOOR DRAIN WITH CLAMPING FRAME	124	Z625 ADJUSTABLE ISOLATION DECK DRAIN	155	Z1072 ZSHIELD™ BARRIER TRAP SEAL DEVICE FOR FLOOR DRAINS	171
Z503 15" [381 MM] HEAVY-DUTY AREA DRAIN	124	Z627 HEAVY-DUTY ADJUSTABLE ISOLATION DECK DRAIN	156	☉ Z1072 - ZSHIELD™ FLOOR DRAIN BARRIER TRAP SEAL	14
Z505 12" [305 MM] HEAVY-DUTY DRAIN	125			Z1088 BACKWATER VALVE GATE TYPE	181
Z507 7" [178 MM] MEDIUM-DUTY DRAIN	126			Z1090 BACKWATER VALVE FLAPPER TYPE	182
Z508 9" [229 MM] EXTRA-HEAVY-DUTY DRAIN	127			Z1091 BACKWATER VALVE FLAPPER TYPE	182
Z509 12" [305 MM] HEAVY-DUTY DRAIN	128			Z1095-15 BACKWATER VALVE WITH FLOOR LEVEL CLEANOUT	183
Z511 9" [229 MM] HEAVY-DUTY DRAIN	129			Z1095 BACKWATER VALVE FLAPPER TYPE	183
Z512 12-1/4" [311 MM] HEAVY-DUTY DRAIN	130			Z1099 BACKWATER VALVE BALL FLOAT TYPE	184

For additional product information, please visit www.zurn.com

ALPHANUMERIC INDEX

Z1165 100 PPM GREASE INTERCEPTOR SYSTEM WITH SOLIDS INTERCEPTOR	188	Z1201-N-XH EZCARRY® EXTRA HEAVY-DUTY 750 LB ADJUSTABLE HORIZONTAL SIPHON JET – NO-HUB SERIES	229	Z1253 ADJUSTABLE CONCEALED ARM SYSTEM – WALL SUPPORTED	272
Z1170 GREASE INTERCEPTOR	189	⊙ Z1202-H EZCARRY® ADJUSTABLE VERTICAL HIGH PERFORMANCE SIPHON JET – HUB AND SPIGOT SERIES	238	Z1255 EXPOSED ARM SYSTEM – WALL SUPPORTED	273
Z1170-UN GREASE INTERCEPTOR WITH USER NOTIFICATION SYSTEM	190	⊙ Z1202-N EZCARRY® ADJUSTABLE VERTICAL HIGH PERFORMANCE SIPHON JET – NO-HUB SERIES	236	Z1256 EXPOSED ARM SYSTEM – WALL SUPPORTED	274
Z1171 LOW PROFILE GREASE INTERCEPTOR	191	Z1202-N-XB EZCARRY® BARIATRIC CARRIER – 1000 LB ADJUSTABLE VERTICAL SIPHON JET – NO-HUB SERIES	240	Z1257 EXPOSED ARM SYSTEM – WALL SUPPORTED	274
Z1171-TD LOW PROFILE GREASE INTERCEPTOR WITH ACCUMULATING CONE AND FLOW CONTROL TEE	192	Z1202-N-XH EZCARRY® EXTRA HEAVY-DUTY 750 LB ADJUSTABLE VERTICAL SIPHON JET – NO-HUB SERIES	241	Z1258 EXPOSED ARM SYSTEM – WALL SUPPORTED	275
Z1172 LARGE CAPACITY GREASE INTERCEPTOR	193	Z1203-H ADJUSTABLE HORIZONTAL SIPHON JET – HUB AND SPIGOT SERIES	246	Z1259 PLATE SYSTEM – WALL SUPPORTED	276
Z1172-UN LARGE CAPACITY GREASE INTERCEPTOR WITH USER NOTIFICATION SYSTEM	194	Z1203-N ADJUSTABLE HORIZONTAL SIPHON JET – NO-HUB SERIES	244	Z1280 WOOD STUD SUPPORTED WATER CLOSET CARRIER – NO-HUB	277
Z1173 EJECTO-MATIC GREASE INTERCEPTOR	195	Z1204-H ADJUSTABLE VERTICAL SIPHON JET – HUB AND SPIGOT SERIES	252	Z1282 WOOD STUD SUPPORTED WATER CLOSET CARRIER – HUB AND SPIGOT	277
Z1173-TD EJECTO-MATIC GREASE INTERCEPTOR WITH GREASE ACCUMULATING CONE AND IN-LINE SHUTOFF VALVE	196	Z1204-N ADJUSTABLE VERTICAL SIPHON JET – NO-HUB SERIES	254	Z1283 WOOD STUD SUPPORTED WATER CLOSET CARRIER – PLASTIC PIPE	278
Z1174 GREASE EATING BACTERIA DOSING UNIT AND SOLIDS INTERCEPTOR COMBINATION	197	Z1207-N ADJUSTABLE HORIZONTAL HIGH ROUGH-IN SIPHON JET – NO-HUB	256	Z1284 CONCRETE FLOOR SUPPORTED WATER CLOSET CARRIER	278
Z1175 HAIR INTERCEPTOR	199	Z1208-H VERTICAL SIPHON JET WATER CLOSET SUPPORT SYSTEM – HUB AND SPIGOT	258	Z1285 WOOD STUD SUPPORTED WATER CLOSET CARRIER	279
Z1176 HAIR INTERCEPTOR	199	Z1208-N VERTICAL SIPHON JET WATER CLOSET SUPPORT SYSTEM – NO-HUB	257	Z1290 EASTERN STYLE WATER CLOSET	280
Z1180 SOLIDS INTERCEPTOR	200	Z1209-N VERTICAL OFFSET SIPHON JET WATER CLOSET SUPPORT SYSTEM – NO-HUB	259	Z1300 ECOLOTROL WALL HYDRANT – ENCASED, NON-FREEZE, ANTI-SIPHON, AUTOMATIC DRAINING	283
Z1181 SOLIDS INTERCEPTOR	200	Z1212 WALL CLOSET SUPPORT SYSTEM	261	Z1305 WALL HYDRANT – ENCASED, NON-FREEZE	283
Z1182 SIDE ACCESS SOLIDS INTERCEPTOR	201	Z1213-N 4" VERTICAL SIPHON JET WATER CLOSET SUPPORT SYSTEM – 2" OR 4" TOP VENT CLOSET FITTING ONLY (NO SUPPORT)	262	Z1310 ECOLOTROL WALL HYDRANT – EXPOSED, NON-FREEZE, ANTI-SIPHON, AUTOMATIC DRAINING	284
Z1183-DF SOLIDS INTERCEPTOR WITH DISPOSABLE FILTER BAGS	202	Z1216 90° DOUBLE NO-HUB SYSTEM FOR FLOOR MOUNTED BACK OUTLET WATER CLOSETS	263	Z1315 WALL HYDRANT – EXPOSED, NON-FREEZE	284
Z1183-FC SOLIDS INTERCEPTOR WITH FLUSH COVER	203	Z1217 COUPLING TYPE SYSTEM – WALL URINAL/SERVICE SINK	264	Z1320XL ECOLOTROL CERAMIC DISC WALL HYDRANT – ENCASED, NON-FREEZE, ANTI-SIPHON, AUTOMATIC DRAINING	285
Z1183 SOLIDS INTERCEPTOR	201	Z1218 COUPLING TYPE SYSTEM – WALL URINAL/SERVICE SINK	265	⊙ Z1320XL-EZ ECOLOTROL CERAMIC DISC WALL HYDRANT – ENCASED, NON-FREEZE, ANTI-SIPHON, AUTOMATIC DRAINING	285
Z1184 BOTTOM ACCESS SOLIDS INTERCEPTOR	204	Z1221 PLATE TYPE SYSTEM – WALL URINALS	266	Z1321XL ECOLOTROL CERAMIC DISC WALL HYDRANT – EXPOSED, NON-FREEZE, ANTI-SIPHON, AUTOMATIC DRAINING	286
Z1185 LINT INTERCEPTOR	205	⊙ Z1222-CB CARRIER BANK	19	⊙ Z1322XL-EZ ECOLOTROL CERAMIC DISC WALL HYDRANT – EXPOSED, NON-FREEZE, ANTI-SIPHON, AUTOMATIC DRAINING	287
Z1186 OIL INTERCEPTOR	207	Z1222 PLATE TYPE SYSTEM – WITH BEARING PLATE	266	Z1325 WALL HYDRANT – ENCASED, VARI-TEMP, NON-FREEZE	288
Z1186-ST OIL INTERCEPTOR WITH INTEGRAL STORAGE TANK	208	Z1223 PLATE TYPE SYSTEM – TROUGH URINALS	267	⊙ Z1327-EZ NARROW WALL HOT/COLD HYDRANT WITH MOUNTING BRACKETS – ENCASED, MODERATE CLIMATE	288
Z1187 SAND AND SEDIMENT INTERCEPTOR	209	Z1224 PLATE TYPE SYSTEM – LAVATORY WITH BACK	267	Z1330XL ECOLOTROL CERAMIC DISC WALL HYDRANT – ENCASED, ANTI-SIPHON, AUTOMATIC DRAINING, MODERATE CLIMATE	289
Z1187-SI SAND INTERCEPTOR	210	Z1225 PLATE TYPE SYSTEM – WATER COOLERS	268	⊙ Z1332XL-EZ ECOLOTROL CERAMIC DISC WALL HYDRANT – ENCASED, ANTI-SIPHON, AUTOMATIC DRAINING, MODERATE CLIMATE	289
Z1188 LARGE CAPACITY OIL INTERCEPTOR	211	Z1229 PLATE AND EXPOSED ARM – HEAVY SINKS	268	Z1335XL ECOLOTROL CERAMIC DISC WALL HYDRANT – EXPOSED, ANTI-SIPHON, AUTOMATIC DRAINING, MODERATE CLIMATE	290
Z1188-ST LARGE CAPACITY OIL INTERCEPTOR WITH INTEGRAL STORAGE TANK	212	Z1231 CONCEALED ARM SYSTEM – WALL LAVATORIES	269	Z1335 WALL HYDRANT – ENCASED, MODERATE CLIMATE	290
Z1189 OIL/SEDIMENT INTERCEPTOR WITH HEAVY-DUTY GRATE	213	⊙ Z1231-EZ CONCEALED ARM SYSTEM – WALL LAVATORIES	269	⊙ Z1350-EZ NARROW WALL HYDRANT WITH MOUNTING BRACKETS – ENCASED, MODERATE CLIMATE	291
Z1194 OIL LEVEL SENSOR RETROFIT KIT	214	⊙ Z1231-EZR CONCEALED ARM SYSTEM – FOR WALL LAVATORIES WITH ADJUSTABLE UPRIGHTS AND HEADER PLATES	270	Z1350 NARROW WALL HYDRANT – ENCASED, MODERATE CLIMATE	291
Z1196 OIL INTERCEPTOR WITH OIL LEVEL SENSOR	215	Z1236 EXPOSED ARM SYSTEM – WALL LAVATORIES/SINKS	271		
Z1198 LARGE CAPACITY OIL INTERCEPTOR WITH OIL LEVEL SENSOR	216	Z1251 CONCEALED ARM SYSTEM – WALL SUPPORTED	272		
Z1198-ST LARGE CAPACITY OIL INTERCEPTOR WITH INTEGRAL STORAGE TANK AND OIL LEVEL FLOAT SENSOR	217				
Z1200 CARRIER TOOLS AND ACCESSORIES	222				
⊙ Z1201-H EZCARRY® ADJUSTABLE HORIZONTAL HIGH PERFORMANCE SIPHON JET – HUB AND SPIGOT SERIES	226				
⊙ Z1201-N EZCARRY® ADJUSTABLE HORIZONTAL HIGH PERFORMANCE SIPHON JET – NO-HUB SERIES	224				
Z1201-N-XB EZCARRY® BARIATRIC CARRIER – 1000 LB ADJUSTABLE HORIZONTAL SIPHON JET – NO-HUB SERIES	228				

ALPHANUMERIC INDEX

<p>Z1360XL GROUND HYDRANT – ENCASED, FLUSH TYPE, NON-FREEZE 292</p> <p>Z1365 GROUND HYDRANT – ENCASED, FLUSH TYPE, NON-FREEZE 293</p> <p>Z1370 GROUND HYDRANT – ENCASED, HOSE STORAGE, NON-FREEZE 294</p> <p>Z1375 GROUND HYDRANT – ENCASED, MODERATE CLIMATE, INTERIOR USE 295</p> <p>Z1385 POST HYDRANT – EXPOSED HEAD, NON-FREEZE 295</p> <p>Z1388XL ROOF HYDRANT – EXPOSED HEAD, NON-FREEZE 296</p> <p>Z1390 POST HYDRANT – EXPOSED HEAD, NON-FREEZE 296</p> <p>Z1395XL YARD HYDRANT – EXPOSED HEAD, NON-FREEZE 297</p> <p>Z1397XL FLO-TROL YARD HYDRANT – EXPOSED HEAD, NON-FREEZE 298</p> <p>☉ Z1400-BZ "LEVEL-TROL" ADJUSTABLE LEVELING FLOOR CLEANOUT 302</p> <p>Z1400 EXTRA HEAVY-DUTY "LEVEL-TROL" ADJUSTABLE FLOOR CLEANOUT 301</p> <p>Z1400-K HEAVY-DUTY "LEVEL-TROL" ADJUSTABLE FLOOR CLEANOUT WITH ANCHOR FLANGE 304</p> <p>☉ Z1400-SZ "LEVEL-TROL" SQUARE ADJUSTABLE LEVELING FLOOR CLEANOUT 303</p> <p>Z1402 HEAVY-DUTY NON-ADJUSTABLE FLOOR CLEANOUT 305</p> <p>Z1404 HEAVY-DUTY FLOOR ACCESS HOUSING 306</p> <p>Z1406 HEAVY-DUTY ADJUSTABLE SPIGOT CLEANOUT 307</p> <p>Z1440 CLEANOUT FERRULE WITH PLUG 308</p> <p>Z1445 CLEANOUT TEE 308</p> <p>Z1449 CLEANOUT FERRULE WITH PLUG 309</p> <p>Z1454 ADJUSTABLE FLOOR CLEANOUT WITH FLASHING FLANGE 309</p> <p>Z1456 DECK CLEANOUT 310</p> <p>Z1457 FLOOR ACCESS COVER 310</p> <p>Z1460 SQUARE WALL ACCESS PANEL 311</p> <p>Z1461 SQUARE HINGED ACCESS PANEL 311</p> <p>Z1462 SECURED WALL ACCESS PANEL 312</p> <p>Z1463 ROUND SCORIATED ACCESS COVER 312</p> <p>Z1464 WATER SUPPLY CONTROL BOX ASSEMBLY 313</p> <p>Z1468 ACCESS COVER AND PLUG 313</p> <p>Z1469 ROUND ACCESS COVER 314</p> <p>Z1470 BRONZE CLEANOUT PLUG 314</p> <p>Z1471 AIR INLET 315</p> <p>Z1474 HEAVY-DUTY CLEANOUT HOUSING 315</p> <p>Z1602 ADJUSTABLE ROUND MEDIUM-DUTY NICKEL BRONZE CLEANOUT 316</p> <p>Z1612 ADJUSTABLE ROUND HEAVY-DUTY NICKEL BRONZE CLEANOUT 316</p> <p>Z1615 CAST IRON LINE OR FLOOR CLEANOUT - NON-ADJUSTABLE 317</p> <p>Z1616 CAST IRON LINE OR FLOOR CLEANOUT - NON-ADJUSTABLE 317</p>	<p>Z1666-1 URINAL CLEANOUT 318</p> <p>Z1666 SEAL OR TEST PLUG 318</p> <p>Z1700 SHOKTROLS 320</p> <p>Z1712 ACCUMUTROL 320</p> <p>Z1715 15" [381 MM] DIAMETER ROOF DRAIN 323</p> <p>Z1717 SCUPPER DRAIN 323</p> <p>Z1720 4" X 8" [102 MM X 203 MM] OPEN SIGHT DRIP DRAIN 324</p> <p>Z1721 6" X 12" [152 MM X 305 MM] OPEN SIGHT DRIP DRAIN 324</p> <p>Z1724 ROUND FUNNEL 325</p> <p>Z1725 OVAL FUNNEL 325</p> <p>Z1726 ADJUSTABLE MEDIUM DUTY FLOOR DRAIN WITH ROUND TOP 326</p> <p>Z1727 ADJUSTABLE MEDIUM DUTY FLOOR DRAIN WITH SQUARE TOP 327</p> <p>Z1730 9" [229 MM] DIAMETER HEAVY-DUTY SHALLOW TYPE FLOOR DRAIN 328</p> <p>Z1731 9" [229 MM] DIAMETER HEAVY-DUTY MEDIUM DEPTH FLOOR DRAIN 328</p> <p>Z1732 9-5/8" [244 MM] DIAMETER HEAVY-DUTY ADJUSTABLE FLOOR DRAIN 329</p> <p>Z1735 12" [305 MM] DIAMETER HEAVY-DUTY FLOOR DRAIN 329</p> <p>Z1736 12" [305 MM] DIAMETER EXTRA HEAVY-DUTY FLOOR DRAIN 330</p> <p>Z1737 15" [381 MM] DIAMETER EXTRA HEAVY-DUTY FLOOR DRAIN 330</p> <p>Z1739 PIT DRAIN 331</p> <p>Z1740 BACKWATER VALVE 331</p> <p>Z1745 FLOOR CLEANOUT WITH O-RING SEAL PLUG 332</p> <p>Z1749 12" X 12" [305 MM X 305 MM] SANI-FLOOR RECEPTOR WITH 4" [102 MM] SUMP DEPTH 333</p> <p>Z1750 12" X 12" [305 MM X 305 MM] SANI-FLOOR RECEPTOR WITH 6" [152 MM] SUMP DEPTH 334</p> <p>Z1751 12" X 12" [305 MM X 305 MM] SANI-FLOOR RECEPTOR WITH 8" [203 MM] SUMP DEPTH 335</p> <p>Z1752 12" X 12" [305 MM X 305 MM] SANI-FLOOR RECEPTOR WITH 10" [254 MM] SUMP DEPTH 336</p> <p>Z1755 13-3/8" [340 MM] SQUARE SANI-FLOOR RECEPTOR 6" [152 MM] SUMP WITH ADJUSTABLE CLAMP FRAME 337</p> <p>Z1761 24-5/16" [618 MM] SQUARE KETTLE DRAIN WITH 8" [203 MM] SUMP DEPTH 337</p> <p>Z1762 28" X 15-1/2" [711 MM X 394 MM] KETTLE DRAIN 338</p> <p>Z1763 40-7/16" X 25-3/4" [1027 MM X 654 MM] KETTLE DRAIN 339</p> <p>Z1800-6B 6" [152 MM] DIAMETER INDUSTRIAL FLOOR DRAIN 4-19/32" [117 MM] SUMP DEPTH 343</p> <p>Z1800-8B 8" [203 MM] DIAMETER INDUSTRIAL FLOOR DRAIN 6" [152 MM] SUMP DEPTH 344</p> <p>Z1800-8S 8" X 8" [203 MM X 203 MM] INDUSTRIAL FLOOR DRAIN 6" [152 MM] SUMP DEPTH 344</p> <p>Z1800-12B 12" [305 MM] DIAMETER INDUSTRIAL FLOOR DRAIN 6" [152 MM] SUMP DEPTH 345</p>	<p>Z1800-12S 12" X 12" [305 MM X 305 MM] INDUSTRIAL FLOOR DRAIN 6" [152 MM] SUMP DEPTH 345</p> <p>Z1810-6B 6" [152 MM] DIAMETER ADJUSTABLE INDUSTRIAL FLOOR DRAIN 346</p> <p>Z1810-8B 8" [203 MM] DIAMETER ADJUSTABLE INDUSTRIAL FLOOR DRAIN 346</p> <p>Z1810-8S 8" X 8" [203 MM X 203 MM] ADJUSTABLE INDUSTRIAL FLOOR DRAIN 347</p> <p>Z1810-12B 12" [305 MM] DIAMETER ADJUSTABLE INDUSTRIAL FLOOR DRAIN 347</p> <p>Z1810-12S 12" X 12" [305 MM X 305 MM] ADJUSTABLE INDUSTRIAL FLOOR DRAIN 348</p> <p>Z1820-8B 8" [203 MM] DIAMETER INDUSTRIAL FLOOR DRAIN WITH SIDE OUTLET 348</p> <p>Z1820-8S 8" X 8" [203 MM X 203 MM] INDUSTRIAL FLOOR DRAIN WITH SIDE OUTLET 349</p> <p>Z1820-12B 12" [305 MM] DIAMETER INDUSTRIAL FLOOR DRAIN WITH SIDE OUTLET 349</p> <p>Z1820-12S 12" X 12" [305 MM X 305 MM] INDUSTRIAL FLOOR DRAIN WITH SIDE OUTLET 350</p> <p>Z1830-8B 8" [203 MM] DIAMETER INDUSTRIAL FLOOR DRAIN 8" [203 MM] SUMP DEPTH 350</p> <p>Z1830-8S 8" X 8" [203 MM X 203 MM] DIAMETER INDUSTRIAL FLOOR DRAIN 8" [203 MM] SUMP DEPTH 351</p> <p>Z1830-12B 12" [305 MM] DIAMETER INDUSTRIAL FLOOR DRAIN 8" [203 MM] SUMP DEPTH 351</p> <p>Z1830-12S 12" X 12" [305 MM X 305 MM] INDUSTRIAL FLOOR DRAIN 8" [203 MM] SUMP DEPTH 352</p> <p>Z1840-6B 6" [152 MM] DIAMETER INDUSTRIAL FLOOR CLEANOUT 352</p> <p>Z1840-6S 6" X 6" [152 MM X 152 MM] INDUSTRIAL FLOOR CLEANOUT 353</p> <p>Z1840-8B 8" [203 MM] DIAMETER INDUSTRIAL FLOOR CLEANOUT 353</p> <p>Z1840-8S 8" X 8" [203 MM X 203 MM] INDUSTRIAL FLOOR CLEANOUT 354</p> <p>Z1900 12" X 12" [305 MM X 305 MM] A.R.E. SANI-FLOOR RECEPTOR WITH 6" [152 MM] SUMP DEPTH 357</p> <p>☉ Z1900-RL 12" X 12" X 6" [305 MM X 305 MM X 152 MM] REPLACEMENT FLOOR SINK LINER 358</p> <p>Z1901 12" X 12" [305 MM X 305 MM] A.R.E. SANI-FLOOR RECEPTOR WITH 8" [203 MM] SUMP DEPTH 359</p> <p>☉ Z1901-RL 12" X 12" X 8" [305 MM X 305 MM X 203 MM] REPLACEMENT FLOOR SINK LINER 360</p> <p>Z1902 12" X 12" [305 MM X 305 MM] A.R.E. SANI-FLOOR RECEPTOR WITH 10" SUMP DEPTH 361</p> <p>☉ Z1902-RL 12" X 12" X 10" [305 MM X 305 MM X 254 MM] REPLACEMENT FLOOR SINK LINER 362</p> <p>☉ Z1903 SANI-FLOOR RECEPTOR INSTALLATION STABILIZER 362</p> <p>Z1910 8" X 8" [203 MM X 203 MM] A.R.E. SANI-FLOOR RECEPTOR WITH 6" [152 MM] SUMP DEPTH 363</p>
--	--	--

For additional product information, please visit www.zurn.com

ALPHANUMERIC INDEX

⌚ Z1910-RL 8" X 8" X 6" [203 MM X 203 MM X 152 MM] REPLACEMENT FLOOR SINK LINER	364	ZN415-B FLOOR AND SHOWER DRAIN WITH ROUND STRAINER	91
Z1920 16" X 16" [406 MM X 406 MM] A.R.C. SANI-FLOOR RECEPTOR WITH 7" [178 MM] SUMP DEPTH	365	ZN415-BF OVAL FUNNEL FLOOR DRAIN	93
Z1926 16" X 16" [406 MM X 406 MM] A.R.C. SANI-FLOOR RECEPTOR WITH 12" [305 MM] SUMP DEPTH	366	ZN415-R FLOOR DRAIN WITH CIRCULAR ADJUSTABLE STRAINER WITH SURFACE CLAMP RING AND GRATE	107
Z1930 8" X 4" [203 MM X 102 MM] A.R.C. SANI-FLOOR RECEPTOR WITH 4" [102 MM] SUMP DEPTH	367	ZN415-Y FLOOR DRAIN WITH NICKEL BRONZE SQUARE STRAINER	115
Z1940 12" X 6" [305 MM X 152 MM] A.R.C. SANI-FLOOR RECEPTOR WITH 8" [203 MM] SUMP DEPTH	368	⌚ ZN1201-N EZCARRY® ADJUSTABLE HORIZONTAL SIPHON JET – NO-HUB NARROW WALL SYSTEM (9-3/8" DEPTH FRONT TO BACK)	235
Z1950 12" [305 MM] DIAMETER A.R.E. SANI-FLOOR RECEPTOR WITH 8" [203 MM] SUMP DEPTH	369	⌚ ZN1202-N EZCARRY® ADJUSTABLE VERTICAL SIPHON JET – NO-HUB NARROW WALL SYSTEM	243
Z1960 8" DIAMETER [203 MM] A.R.E. SANI-FLOOR RECEPTOR WITH 6" [152 MM] SUMP DEPTH	370	ZN1209-N VERTICAL OFFSET SIPHON JET – NO-HUB NARROW WALL SYSTEM	260
Z1970 9" [229 MM] DIAMETER SHALLOW A.R.C. SANI- FLOOR RECEPTOR WITH 3" [76 MM] SUMP DEPTH	371	ZS400 "TYPE B" ROUND STAINLESS STEEL STRAINER	72
Z1982 12" X 12" [305 MM X 305 MM] STAINLESS STEEL SANI-FLOOR CAN WASH DRAIN WITH 8" [203 MM] SUMP DEPTH	372	ZS400 "TYPE BS" ROUND STRAINER WITH SLOTTED OPENINGS	72
Z1995 24" X 16" [610 MM X 406 MM] A.R.C. SANI-FLOOR RECEPTOR WITH 17" [432 MM] SUMP DEPTH	372	ZS400 "TYPE SS" SQUARE STRAINER	81
⌚ ZC400B-DC ROUND FLOOR DRAIN DEBRIS COVER	86	ZS415 BODY ASSEMBLY WITH "TYPE BS" STRAINER	94
⌚ ZC400S-DC SQUARE FLOOR DRAIN DEBRIS COVER	86	ZS415 BODY ASSEMBLY WITH "TYPE SS" STRAINER	109
ZCF121 12" [305 MM] DIAMETER ROOF DRAIN	36	ZS880 STAINLESS STEEL LINEAR SHOWER DRAIN	9
ZCF129 8" [203 MM] CONTROL ROOF DRAIN	40	ZS880 STAINLESS STEEL LINEAR SHOWER DRAIN	342
⌚ ZE1201-H EZCARRY® ADJUSTABLE HORIZONTAL SIPHON JET WITH ELONGATED FITTING – HUB AND SPIGOT SERIES	232	ZSS400 "TYPE Y" SQUARE STAINLESS STEEL STRAINER	85
⌚ ZE1201-N EZCARRY® ADJUSTABLE HORIZONTAL SIPHON JET WITH ELONGATED FITTING – NO-HUB SERIES	230	ZURN BARIATRIC PROVIDES SUPERIOR PERFORMANCE	17
⌚ ZE1203-H ADJUSTABLE HORIZONTAL SIPHON JET WITH ELONGATED FITTING – HUB AND SPIGOT SERIES	250	⌚ ZURN TOP-SET® DECK PLATE	10
⌚ ZE1203-N ADJUSTABLE HORIZONTAL SIPHON JET WITH ELONGATED FITTING – NO-HUB SERIES	248	ZX400 "TYPE A" HEAVY-DUTY CAST IRON STRAINER	71
ZF799 HEAVY-DUTY CATCH BASIN DRAIN	168	ZX415-A FLOOR DRAIN WITH HEAVY-DUTY ROUND STRAINER	89
⌚ ZF1201-N EZCARRY® HORIZONTAL SIPHON JET ONE-PIECE CARRIER – NO-HUB SERIES	234	ZXN211-H FLOOR DRAIN WITH HEAVY DUTY SQUARE STRAINER	64
⌚ ZF1202-N EZCARRY® VERTICAL SIPHON JET ONE-PIECE CARRIER – NO-HUB SERIES	242	ZXN400 "TYPE A" HEAVY-DUTY NICKEL BRONZE ROUND STRAINER	70
ZN211-BE ROUND FUNNEL NICKEL BRONZE FLOOR DRAIN	63	ZXN400 "TYPE H" HEAVY-DUTY SQUARE ADJUSTABLE STRAINER	76
ZN211-B FLOOR AND SHOWER DRAIN WITH ROUND NICKEL BRONZE STRAINER	63	ZXN400 "TYPE Y" HEAVY-DUTY SQUARE ADJUSTABLE STRAINER	85
ZN211-BF OVAL OPEN THROAT FUNNEL NICKEL BRONZE FLOOR DRAIN	64	ZXN415-A FLOOR DRAIN WITH HEAVY-DUTY ROUND STRAINER	90
ZN400 "TYPE BF" ROUND NICKEL BRONZE STRAINER WITH OVAL FUNNEL - OPEN THROAT	73	ZXN415-H FLOOR DRAIN WITH HEAVY-DUTY SQUARE GRATE	101
ZN400 "TYPE B" ROUND STRAINER WITH HEEL-PROOF SQUARE OPENINGS	71	ZX(N)415-Y8 FLOOR DRAIN WITH HEAVY-DUTY SQUARE ADJUSTABLE CAST IRON STRAINER	116
ZN400 "TYPE R" CIRCULAR ADJUSTABLE STRAINER WITH SURFACE CLAMP RING AND GRATE	80		
ZN415-BE FUNNEL FLOOR DRAIN	92		

For additional product information, please visit www.zurn.com

INTRO

ROOF DRAINS

FLOOR DRAINS

T, P, BW VALVES

INTERCEPTORS

CARRIERS

HYDRANTS

CLEANOUTS

WHA

SS DRAINS

FAB SS DRAINS

SANI-FLOOR

TECH INFO

NOTES

INTRO

ROOF DRAINS

FLOOR DRAINS

T, P, BW VALVES

INTERCEPTORS

CARRIERS

HYDRANTS

CLEANOUTS

WHA

SS DRAINS

FAB SS DRAINS

SANI-FLOR

TECH INFO

For additional product information, please visit www.zurn.com

NOTES

INTRO

ROOF DRAINS

FLOOR DRAINS

T, P, BW VALVES

INTERCEPTORS

CARRIERS

HYDRANTS

CLEANOUTS

W/H

SS DRAINS

FAB SS DRAINS

SANI-FLOOR

TECH INFO

For additional product information, please visit www.zurn.com

GENERAL TERMS AND CONDITIONS

PRICE AND TERMS OF PAYMENT

Terms are net, payable 30 days from date of invoice. All pricing in CAD currency. The Buyer shall pay all sales, consumers, or other applicable taxes.

Minimum invoice \$100.00. Zurn Industries, LLC ("Zurn") reserves the right to apply a minimum order charge in order to meet the \$100.00 minimum invoice requirement. All orders are subject to credit approval by the Zurn Credit Department prior to the acceptance of an order. Orders may be refused, delivery may be withheld, or shipment stopped in transit without any liability on Zurn's part at Zurn's sole discretion based upon Buyer's credit worthiness as determined by Zurn.

FREIGHT

Zurn is pleased to provide an industry-leading \$3,500 combined freight rate. Please see below for specific policy details.

All sales are F.O.B. seller's location. Zurn will allow full freight allowance when any of the following conditions are met: 1) any combination of Specification Drainage, Commercial Drainage, Finish Plumbing or Zurn Wilkins orders of \$3,500 or more; 2) Linear Drainage and Chemical Drainage orders of \$5,000 or more; 3) any Combination of Specification Drainage, Commercial Drainage, Finish Plumbing, Zurn Wilkins, Linear Drainage and Chemical Drainage orders of \$5,000 or more; 4) Zurn One Systems orders of \$7,500 or more; 5) fixture only orders totaling \$10,000 or more. This full freight allowance applies when the shipment is within Canada and has a single destination of a buyer's standard address or job location. Routing of shipment shall be determined at the sole direction of Zurn. Shipping dates are estimates and time of delivery shall not be of the essence of this sale contract. Under no circumstances will the Seller have any responsibility on account of any delays in manufacture, transportation, or otherwise. Terms of Export Shipment on application.

NOTE: Any product dimension larger than 92" or any single item weighing more than 3,500 pounds, shall be defined as an oversized and/or overweight product and Zurn's standard FFA terms may not apply. Please contact our customer service department for guidance on potential additional shipping charges.

These charges and restrictions apply in addition to Zurn standard terms and conditions for sale unless otherwise agreed upon by the parties.

LIMITED WARRANTY

Zurn goods sold hereunder are warranted to be free from defects in material and factory workmanship for the period of time from the date of purchase: AquaVantage® Flush Valves, AquaFlush® Flush Valves, Commercial Fixtures, Faucets, Showers, and Tubular Brass three years; Chemical Drainage, Linear Drainage, Commercial Drainage, Specification Drainage, Zurn Wilkins, and Flush Valve, Faucets, and Tubular Brass decorative finishes one year, PHIX® Cartridge ten years, FOG-ceptor™ thirty years. Where permitted by law, **THE IMPLIED WARRANTY OF MERCHANTABILITY IS LIMITED TO THE ABOVE IDENTIFIED PERIOD OF TIME AND SHALL BE LIMITED SOLELY TO THE REPLACEMENT OF THE DEFECTIVE GOODS.** A damaged/broken test cock or ball valve is not considered defective. Please contact Zurn Customer Care for assistance.

Zurn will replace goods at no cost that prove defective provided Zurn is notified in writing of such defect and the goods are returned prepaid at the specified Zurn location with evidence that they have been properly maintained and used in accordance with instructions. **ZURN SHALL NOT BE RESPONSIBLE FOR ANY LABOR CHARGES OR ANY LOSS, INJURY, OR DAMAGES WHATSOEVER, INCLUDING, BUT NOT LIMITED TO, INCIDENTAL OR CONSEQUENTIAL DAMAGES.** The sole and exclusive remedy shall be limited to the replacement of the defective goods. Before installation and use, the purchaser shall determine the suitability of the product for his intended use and the purchaser assumes all risk and liability whatever in the connection therewith. All weights stated in Zurn catalogs and lists are approximate and are not guaranteed.

RETURNED GOODS

Standard cataloged material may be returned only with written permission of Zurn. Returned goods are subject to a 25% restocking charge of total saleable material returned, plus cost of reconditioning, if necessary, to make material sellable. Transportation charges are the responsibility of the Buyer. Credit allowance will be in the form of merchandise credit only – not cash credit. The value of the return must total at least \$100.00 to qualify for credit allowance. No credit will be allowed for parts unless originally ordered and invoiced as parts. No credit will be allowed for discontinued or made-to-order items. Items that have been specially made are not subject to return or cancellation except by special negotiation. Material must be returned within one year of invoice date for credit to be issued for Chemical Drainage, Linear Drainage, and Commercial Drainage. Material must be returned within two years of invoice date for credit to be issued for Commercial Fixtures, Flush Valve Products, Specification Drainage, Tubular Brass, and Zurn Wilkins. No credit is allowed for Linear Drainage products that have been cut and Specification Drainage product with auxiliary tappings. Flush Valve material over two years old will be subject to a 50% handling charge. Flush Valve material over five years old will not be accepted. Commercial Drainage and Specification Drainage galvanized material will be credited at value of Dura-Coated cast iron, and chrome plated at value of bronze. Zurn Wilkins damaged/broken test cocks or ball valves are not considered defective.

ILLUSTRATIONS OF TYPICAL INSTALLATIONS

The typical installations for various products found in each product section are intended to illustrate the products and potential options for the use of these products. Under no circumstances are they to be construed as recommended installation procedures. Consult local codes and project specifications for proper installation instructions.

SHORTAGE/DAMAGE CLAIMS

Notification of material shortages or incorrect filling of orders must be made to Zurn within 10 days of receipt. No claims over three months old will be honored. Buyer agrees to make all complaints for damage in transit or "short count" directly to the carrier; before the contents are unloaded have the carrier agent's acknowledgment of such damage noted on the bill of lading and to present to the carrier its agent's acknowledgment of such damaged material with formal claim covering said damage.

GENERAL

Zurn reserves the right to make changes in design or equipment of any item or product without incurring any obligation on previously sold items, and to discontinue items at any time, without notice. Possession of this Catalog or other sales literature is not to be construed as an offer to sell. All orders are subject to acceptance by Zurn. Catalog printed in U.S.A.

Zurn flush valves are designed to comply with Army Corp of Engineers and Naval guide specifications, Military Specification MIL.V.29193 and Federal Specification WWP541.

Zurn flush valves comply with the following standards: ASME A112.18.1/CSA B125.1, A112.19.5, A112.19.2, A112.19.6, ASSE 1037 and 101 are listed by the following agencies: Canadian Standards, IAPMO/UPC/CUPC, and CSA 125.3. Zurn flush valves are manufactured from dezincification resistant alloys. For additional compliances, contact Zurn Industries, LLC, Finish Plumbing Operation, or 1-800-997-3876.

Zurn is not responsible for typographical errors. The contents of this guide are subject to revision without notice.

© 2018 Zurn Industries, LLC Items in this Guide are covered by Patents and Patents Pending. Registered Trademarks.

Zurn Industries, LLC Specification Drainage Operation
1801 Pittsburgh Avenue
Erie, PA 16502, 855.663.9876

In Canada

Zurn Industries Limited
7900 Goreway Drive, Unit 10
Brampton, ON L6T 5W6, 877.892.5216

ZURN.COM [US 1.855.ONE.ZURN](tel:1.855.ONE.ZURN) [CANADA 1.877.892.5216](tel:1.877.892.5216)

