



Pressure Reducing Valve and Wye-Type Strainer Parts

Table of Contents

| | |
|--|------------|
| MODEL BR4/BR4EC/BR5 | .2 |
| 1/2", 3/4", 1", 1-1/4", 1-1/2" & 2" | |
| MODEL BR4XL | .4 |
| 1/2", 3/4", 1", 1-1/4", 1-1/2" & 2" | |
| MODEL NR3XL & NR3 | .6 |
| 1/2", 3/4", 1", 1-1/4", 1-1/2" & 2" | |
| MODEL 70 | .8 |
| 1/2" | |
| MODEL 70XL & 70 | .10 |
| 3/4", 1" | |
| MODEL 70DU | .12 |
| 1-1/4", 1-1/2", 2" | |
| MODEL 90 | .14 |
| 3/4", 1" | |
| MODEL 500XL & 500 | .16 |
| 1/2", 3/4", 1" | |
| MODEL 500XL & 500 | .18 |
| 1-1/4", 1-1/2", 2", 2-1/2", 3" | |
| MODEL 500XLFC & 500FC | .20 |
| 2", 2-1/2", 3" | |
| MODEL 600XL & 600 | .22 |
| 1/2", 3/4", 1" | |
| MODEL 600XL & 600 | .24 |
| 1-1/4", 1-1/2", 2" | |
| MODEL 625XL | .26 |
| 3/4", 1" | |
| MODEL YBXL & YB | .28 |
| 1/2", 3/4", 1", 1-1/4", 1-1/2", 2", 2-1/2", 3" | |
| MODEL SXL & S | .29 |
| 1/2", 3/4", 1", 1-1/4", 1-1/2", 2", 2-1/2", 3" | |
| MODEL FSC | .30 |
| 2-1/2", 3", 4", 6", 8", 10" | |

For more information please visit www.zurn.com

MODEL BR4/BR4EC/BR5*

1/2", 3/4", 1", 1-1/4", 1-1/2" & 2"

*3/4 & 1" Only



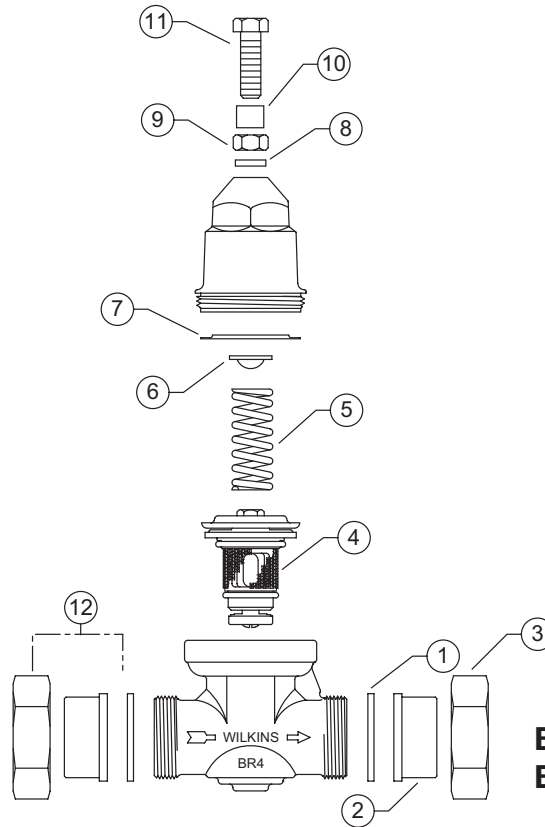
| Item No. | Description | 1/2" | 3/4" | 1" | BR4 | BR4C | BR4DU | BR4DUC | BR4DULU | BR4SC | BR4EC | BR5 | |
|----------|----------------------|----------------|------------|------------|-----|------|-------|--------|---------|-------|-------|-----|---|
| 1 | UNION GASKET | 62-13 | 62-13 | 63-13 | ● | ● | ● | ● | | ● | ● | ● | |
| 2 | TAILPIECE (FNPT) | 751-19XL | 602-19XL | 63-19XL | ● | | ● | | | ● | ● | ● | |
| | TAILPIECE (FC) | 751C-19XL | 602C-19 | 63C-19 | | ● | | ● | | | | | |
| 3 | UNION NUT | 62-9-010F | 62-9-010F | 63-9-010F | ● | ● | ● | ● | | ● | ● | ● | |
| 4 | CARTRIDGE | BR2-CARTXL | BR2-CARTXL | BR3-CARTXL | ● | ● | ● | ● | ● | ● | ● | ● | ★ |
| 5 | SPRING | BR2-33SS | BR2-33SS | BR3-33SS | ● | ● | ● | ● | ● | ● | ● | ● | ★ |
| 6 | SPRING DISC | BR2-80A | BR2-80A | BR3-80A | ● | ● | ● | ● | ● | ● | ● | ● | ★ |
| 7 | FRICTION RING | BR2-80C | BR2-80C | BR3-80C | ● | ● | ● | ● | ● | ● | ● | ● | ★ |
| 8 | WASHER | 606C-12 | 606C-12 | 606C-12 | | | | | | ● | | | |
| 9 | LOCKNUT | 501B-9 | 501B-9 | 501B-9 | ● | ● | ● | ● | ● | ● | ● | ● | |
| 10 | SPACER | BR2-12P | BR2-12P | BR2-12P | ● | ● | ● | ● | ● | ● | | ● | |
| 11 | ADJUSTMENT BOLT | 602A-11A | 602A-11A | 602A-11A | ● | ● | ● | ● | ● | | | | |
| | ADJUSTMENT BOLT | BR2-11S | BR2-11S | BR2-11S | | | | | | | ● | | |
| | ADJUSTMENT BOLT | 602A-11ASS | 602A-11ASS | 602A-11ASS | | | | | | ● | | ● | |
| 12 | TAILPIECE KIT NPT | 12 X 34-TPKXL | 34-TPKXL | 1-TPKXL | ● | | ● | | | ● | ● | | |
| | TAILPIECE KIT COPPER | 12 X 34-TPKXLC | 34-TPKXLC | 1-TPKXLC | | ● | | ● | | | | | |

| Item No. | Description | 1-1/4" | 1-1/2" | 2" | BR4 | BR4C | BR4DU | BR4DUC | BR4DULU | BR4SC | BR4EC | BR5 |
|----------|------------------------|---------------|---------------|---------------|-----|------|-------|--------|---------|-------|-------|-----|
| 1 | UNION GASKET | 604-13 | 605-13 | 606-13 | ● | ● | ● | ● | | ● | | |
| 2 | TAILPIECE NPT (FEM) | 604-19XL-010F | 605-19XL-010F | 606-19XL-010F | ● | | ● | | | ● | | |
| | TAILPIECE COPPER (FEM) | 604C-19 | 605C-19 | 606C-19 | | ● | | ● | | | | |
| 3 | UNION NUT | 604-9-010F | 605-9-010F | 606-9-010F | ● | ● | ● | ● | | ● | | |
| 4 | CARTRIDGE O-RING | 149N | 154N | 154N | ● | ● | ● | ● | ● | ● | | ★ |
| 5 | CARTRIDGE | BR4-CART | BR5-CART | BR5-CART | ● | ● | ● | ● | ● | ● | | ★ |
| 6 | SPRING | 604-33 | 605-33B | 605-33B | ● | ● | ● | ● | ● | ● | | ★ |
| 7 | SPRING DISC | BR3-80A | 505A-80 | 505A-80 | ● | ● | ● | ● | ● | ● | | |
| 8 | FRICTION RING | 604B-12 | 505B-12 | 505B-12 | ● | ● | ● | ● | ● | ● | | ★ |
| 9 | WASHER | 606C-12 | 508C-12 | 508C-12 | | | | | | ● | | |
| 10 | LOCKNUT | 501B-9 | 505B-9A | 505B-9A | ● | ● | ● | ● | ● | ● | | |
| 11 | ADJUSTMENT BOLT | 62A-11 | 605A-11A | 605A-11A | ● | ● | ● | ● | ● | | | |
| | ADJUSTMENT BOLT | 62A-11SS | 605A-11ASS | 605A-11ASS | | | | | | ● | | |
| 12 | TAILPIECE KIT NPT | 114-TPKXL | 112-TPKXL | 2-TPKXL | ● | | ● | | | ● | | |
| | TAILPIECE KIT COPPER | 114-TPKXLC | 112-TPKXLC | 2-TPKXLC | | ● | | ● | | | | |

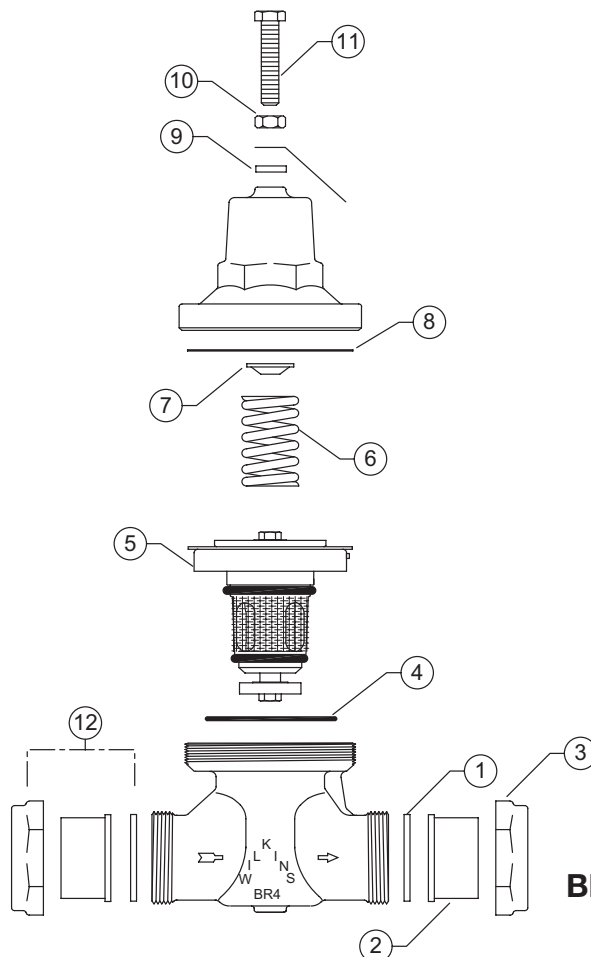
- Item included in specified Model
- ★ Repair kit items (all ★ items in kit)

MODEL BR4/BR4EC/BR5

Parts Drawing



BR4 (1/2", 3/4" & 1")
BR5 (3/4" & 1")



BR4 (1 1/4", 1 1/2" & 2")

MODEL BR4XL

1/2", 3/4", 1", 1-1/4", 1-1/2" & 2"



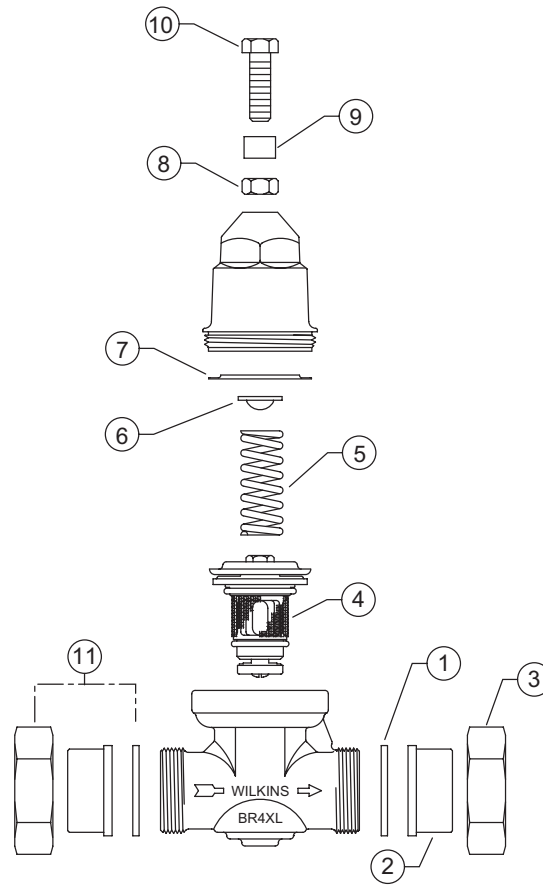
| Item No. | Description | 1/2" | 3/4" | 1" | BR4XL | BR4XLC | BR4XLDU | BR4XLDUC | BR4XLDULU | BR4XLEC |
|----------|----------------------|--------------|------------|------------|-------|--------|---------|----------|-----------|---------|
| 1 | UNION GASKET | 62-13 | 62-13 | 63-13 | ● | ● | ● | ● | | ● |
| 2 | TAILPIECE (FNPT) | 751-19XL | 602-19XL | 63-19XL | ● | | ● | | | ● |
| | TAILPIECE (FC) | 751C-19XL | 602C-19 | 63C-19 | | ● | | ● | | |
| 3 | UNION NUT | 62-9-010F | 62-9-010F | 63-9-010F | ● | ● | ● | ● | | ● |
| 4 | CARTRIDGE | BR2-CARTXL | BR2-CARTXL | BR3-CARTXL | ● | ● | ● | ● | ● | ● ★ |
| 5 | SPRING | BR2-33SS | BR2-33SS | BR3-33SS | ● | ● | ● | ● | ● | ● ★ |
| 6 | SPRING DISC | BR2-80A | BR2-80A | BR3-80A | ● | ● | ● | ● | ● | ● ★ |
| 7 | FRICTION RING | BR2-80C | BR2-80C | BR3-80C | ● | ● | ● | ● | ● | ● ★ |
| 8 | LOCKNUT | 501B-9 | 501B-9 | 501B-9 | ● | ● | ● | ● | ● | ● |
| 9 | SPACER | BR2-12P | BR2-12P | BR2-12P | ● | ● | ● | ● | ● | |
| 10 | ADJUSTMENT BOLT | NR3-11A | NR3-11A | NR3-11A | ● | ● | ● | ● | ● | ● |
| 11 | TAILPIECE KIT NPT | 12X34-TPKXL | 34-TPKXL | 1-TPKXL | ● | | ● | | | ● |
| | TAILPIECE KIT COPPER | 12X34-TPKXLC | 34-TPKXLC | 1-TPKXLC | | ● | | ● | | |

| Item No. | Description | 1-1/4" | 1-1/2" | 2" | BR4XL | BR4XLC | BR4XLDU | BR4XLDUC | BR4XLDULU | BR4XLEC |
|----------|------------------------|---------------|---------------|---------------|-------|--------|---------|----------|-----------|---------|
| 1 | UNION GASKET | 604-13 | 605-13 | 606-13 | ● | ● | ● | ● | | |
| 2 | TAILPIECE NPT (FEM) | 604-19XL-010F | 605-19XL-010F | 606-19XL-010F | ● | | ● | | | |
| | TAILPIECE COPPER (FEM) | 604C-19 | 605C-19 | 606C-19 | | ● | | ● | | |
| 3 | UNION NUT | 604-9-010F | 605-9-010F | 606-9-010F | ● | ● | ● | ● | | |
| 4 | CARTRIDGE | BR3-CARTXL | BR5-CART-XL | BR5-CART-XL | ● | ● | ● | ● | ● | |
| 5 | SPRING | NR4-33 | BR5-33XL | BR5-33XL | ● | ● | ● | ● | ● | ● ★ |
| 6 | SPRING DISC | BR3-80A | BR3-80A | BR3-80A | ● | ● | ● | ● | ● | ● ★ |
| 7 | FRICTION RING | BR3-80C | BR5-80CXL | BR5-80CXL | ● | ● | ● | ● | ● | ● ★ |
| 8 | LOCKNUT | 501B-9 | 501B-9 | 501B-9 | ● | ● | ● | ● | ● | |
| 9 | ADJUSTMENT BOLT | NR4-11A | 602A-11A | 602A-11A | ● | ● | ● | ● | ● | |
| 10 | TAILPIECE KIT NPT | 114-TPKXL | 112-TPKXL | 2-TPKXL | ● | | ● | | | |
| | TAILPIECE KIT COPPER | 114-TPKXLC | 112-TPKXLC | 2-TPKXLC | | ● | | ● | | |

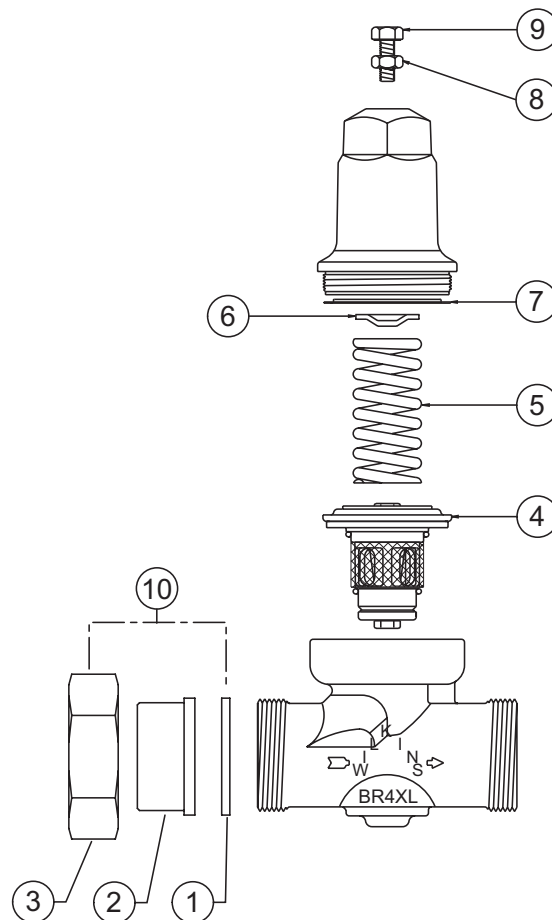
- Item included in specified Model
- ★ Repair kit items (all ★ items in kit)

MODEL BR4XL

Parts Drawing



BR4XL (1/2", 3/4" & 1")



BR4XL (1 1/4", 1 1/2" & 2")

MODEL NR3XL & NR3

1/2", 3/4", 1", 1-1/4", 1-1/2" & 2"



| Item No. | Description | 1/2" | 3/4" | 1" | NR3XL | NR3XLC | NR3XLDU | NR3XLDUC | NR3XLDULU | NR3XLSC | NR3XLEC | NR3XLHRSCT |
|----------|------------------------------|----------------|------------|------------|-------|--------|---------|----------|-----------|---------|---------|------------|
| 1 | UNION GASKET | 62-13 | 62-13 | 63-13 | ● | ● | ● | ● | | ● | ● | ● |
| 2 | TAILPIECE XL (FNPT) | 751-19XL | 602-19XL | 63-19XL | ● | | ● | | | ● | ● | ● |
| | TAILPIECE XL COPPER (FC) | 751C-19XL | 602C-19 | 63C-19 | | ● | | ● | | | | |
| 3 | UNION NUT | 62-9-010F | 62-9-010F | 63-9-010F | ● | ● | ● | ● | | ● | ● | |
| 4 | CARTRIDGE | BR2-CARTXL | BR2-CARTXL | BR2-CARTXL | ● | ● | ● | ● | ● | ● | ● | ● |
| 5 | SPRING SS | BR2-33SS | BR2-33SS | BR2-33SS | ● | ● | ● | ● | ● | ● | ● | ● |
| 6 | SPRING DISC | BR2-80A | BR2-80A | BR2-80A | ● | ● | ● | ● | ● | | ● | |
| | SPRING DISC SS | BR2-80ASS | BR2-80ASS | BR2-80ASS | | | | | | ● | | ● |
| 7 | FRICTION RING | BR2-80C | BR2-80C | BR2-80C | ● | ● | ● | ● | ● | ● | ● | ● |
| 8 | WASHER | 606C-12 | 606C-12 | 606C-12 | | | | | | ● | | ● |
| 9 | LOCKNUT | 501B-9 | 501B-9 | 501B-9 | ● | ● | ● | ● | ● | | ● | |
| | LOCKNUT SS | 501B-9SS | 501B-9SS | 501B-9SS | | | | | | ● | | ● |
| 10 | ADJUSTMENT BOLT | NR3-11A | NR3-11A | NR3-11A | ● | ● | ● | ● | ● | | ● | |
| | ADJUSTMENT BOLT SS | NR3-11ASS | NR3-11ASS | NR3-11ASS | | | | | | ● | | |
| | ADJUSTMENT BOLT SS | 602A-11ASS | 602A-11ASS | 602A-11ASS | | | | | | | | ● |
| | SPACER | BR2-12P | BR2-12P | BR2-12P | | | | | | | | ● |
| 11 | XL TAILPIECE KIT NPT | 12 X 34-TPKXL | 34-TPKXL | 1-TPKXL | ● | | ● | | | ● | ● | ● |
| | XL TAILPIECE KIT COPPER (FC) | 12 X 34-TPKXLC | 34-TPKC | 1-TPKC | | ● | | ● | | | | |

| Item No. | Description | 1-1/4" | 1-1/2" | 2" | NR3XL | NR3XLC | NR3XLDU | NR3XLDUC | NR3XLDULU | NR3XLSC | NR3XLEC | NR3XLHRSCT |
|----------|---------------------------|---------------|---------------|---------------|-------|--------|---------|----------|-----------|---------|---------|------------|
| 1 | UNION GASKET | 604-13 | 605-13 | 606-13 | ● | ● | ● | ● | | ● | | ● |
| 2 | TAILPIECE XL (FNPT) | 604-19XL-010F | 605-19XL-010F | 606-19XL-010F | ● | | ● | | | ● | | ● |
| | TAILPIECE COPPER (FC) | 604C-19 | 605C-19 | 606C-19 | | ● | | ● | | | | |
| 3 | UNION NUT | 604-9-010F | 605-9-010F | 606-9-010F | ● | ● | ● | ● | | ● | | ● |
| 4 | CARTRIDGE | BR3-CARTXL | BR5-CART-XL | BR5-CART-XL | ● | ● | ● | ● | ● | ● | | ● |
| 5 | SPRING | NR4-33 | BR5-33XL | BR5-33XL | ● | ● | ● | ● | ● | | | ● |
| | SPRING SS | BR3-33SS | BR5-33XLSS | BR5-33XLSS | | | | | | ● | | ● |
| 6 | SPRING DISC | BR3-80A | BR3-80A | BR3-80A | ● | ● | ● | ● | ● | | | ● |
| | SPRING DISC SS | BR3-80ASS | BR3-80ASS | BR3-80ASS | | | | | | ● | | ● |
| 7 | FRICTION RING | BR3-80C | BR5-80CXL | BR5-80CXL | ● | ● | ● | ● | ● | ● | | ● |
| 8 | WASHER | 606C-12 | 606C-12 | 606C-12 | | | | | | ● | | ● |
| 9 | LOCKNUT | 501B-9 | 501B-9 | 501B-9 | ● | ● | ● | ● | ● | | | |
| | LOCKNUT SS | 501B-9SS | 505B-9SS | 505B-9SS | | | | | | ● | | ● |
| 10 | ADJUSTMENT BOLT | NR4-11A | 602A-11A | 602A-11A | ● | ● | ● | ● | ● | | | |
| | ADJUSTMENT BOLT SS | NR4-11ASS | 602A-11ASS | 602A-11ASS | | | | | | ● | | |
| | ADJUSTMENT BOLT SS | 602A-11ASS | N/A | N/A | | | | | | | | ● |
| | SPACER | BR2-12P | N/A | N/A | | | | | | | | ● |
| 11 | XL TAILPIECE KIT (NPT) | 114-TPKXL | 112-TPKXL | 2-TPKXL | ● | | ● | | | ● | | ● |
| | TAILPIECE KIT COPPER (FC) | 114-TPKXLC | 112-TPKXLC | 2-TPKXLC | | ● | | ● | | | | |

- Item included in specified Model
- ★ Repair kit items (all ★ items in kit)

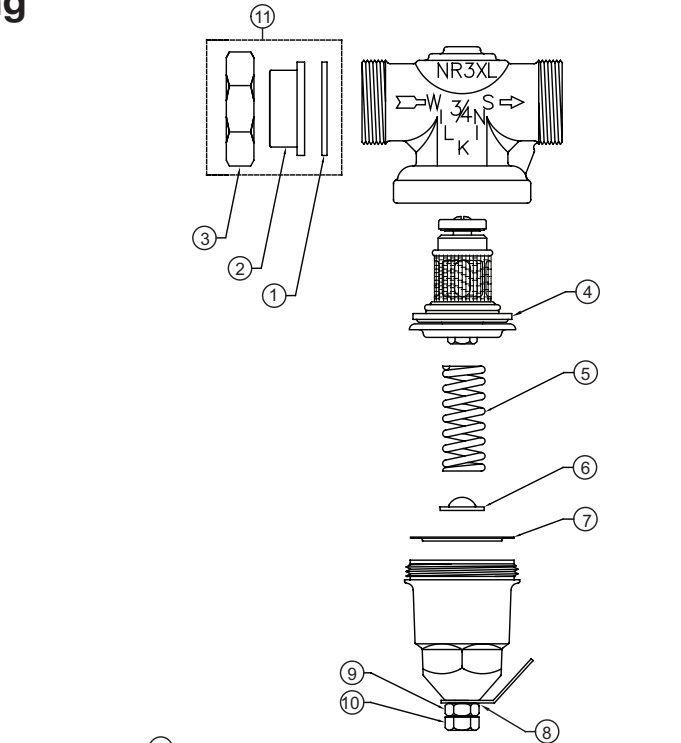
†NR3HRSC AVAILABLE 1/2" - 1-1/4" ONLY

MODEL NR3XL & NR3

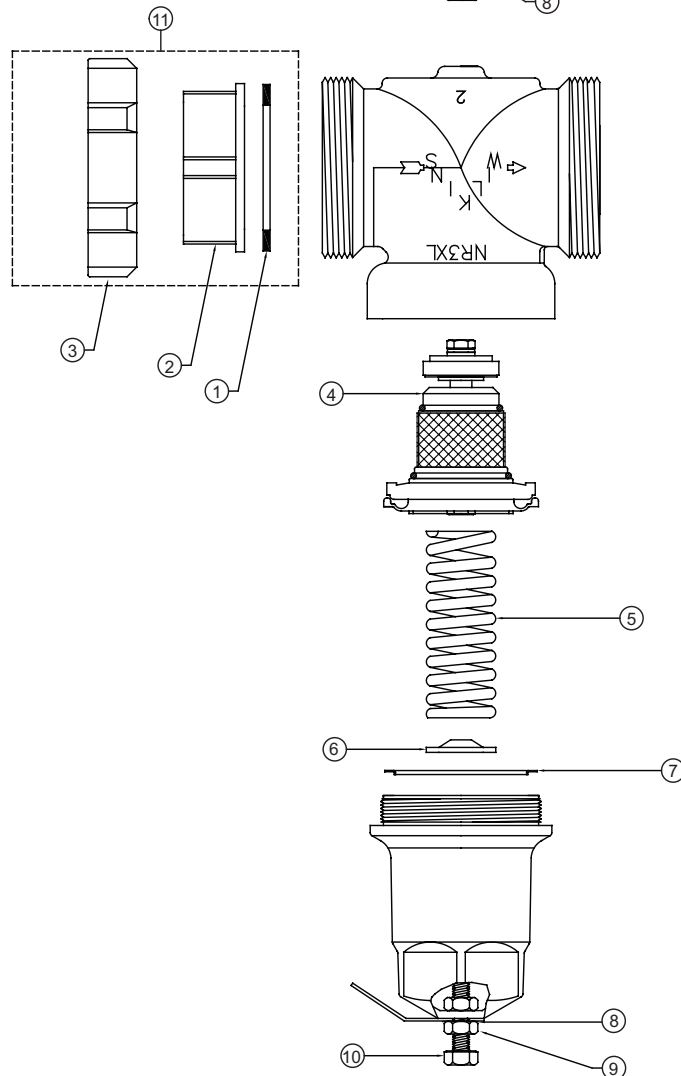
Parts Drawing



NR3XL (1/2", 3/4" & 1")



NR3XL (1 1/4", 1 1/2" & 2")



MODEL 70

1/2"

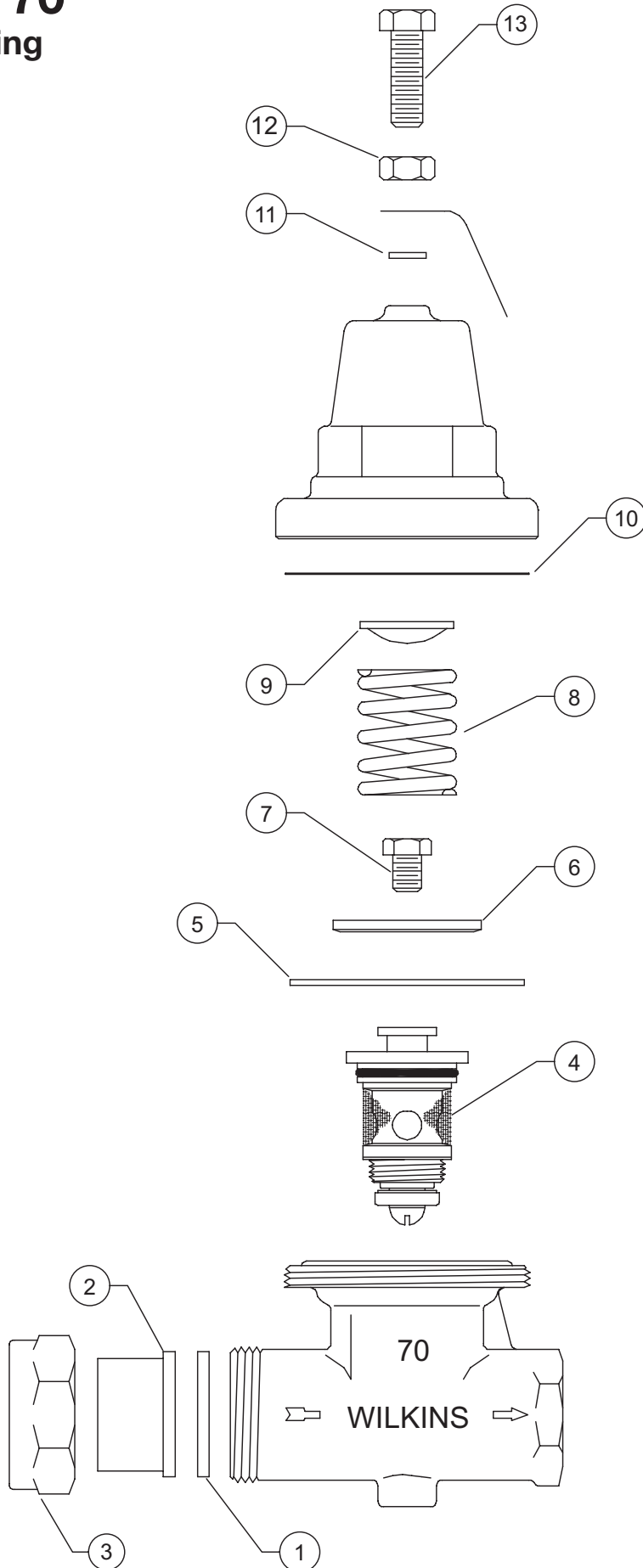


| Item No. | Description | 1/2" | 70 | 70C | 70SC | 70SS | |
|----------|---------------------------|------------|----|-----|------|------|---|
| 1 | UNION GASKET | 601-13 | ● | ● | ● | ● | ★ |
| 2 | TAILPIECE NPT (FEMALE) | 601-19XL | ● | | ● | ● | |
| | TAILPIECE COPPER (FEMALE) | 601C-19 | | ● | | | |
| 3 | UNION NUT | 601-9-010F | ● | ● | ● | ● | |
| 4 | CARTRIDGE | 71-CARTSS | ● | ● | ● | ● | ★ |
| 5 | DIAPHRAGM | 72-43 | ● | ● | ● | ● | ★ |
| 6 | DIAPHRAGM DISC | 72-80 | ● | ● | ● | | ★ |
| | DIAPHRAGM DISC SS | 72-80SS | | | | ● | ★ |
| 7 | BOLT | 72-11 | ● | ● | ● | | ★ |
| | BOLT SS | 72-11SS | | | | ● | ★ |
| 8 | SPRING | 62-33 | ● | ● | ● | | ★ |
| | SPRING SS | 62-33SS | | | | ● | ★ |
| 9 | SPRING DISC | 602A-80 | ● | ● | ● | | ★ |
| | SPRING DISC SS | 602A-80SS | | | | ● | ★ |
| 10 | FRICITION RING | 602B-12 | ● | ● | ● | | ★ |
| | FRICITION RING SS | 602B-12SS | | | | ● | ★ |
| 11 | WASHER | 606C-12 | | | ● | | |
| 12 | LOCKNUT | 501B-9 | ● | ● | | | |
| | LOCKNUT SS | 501B-9SS | | | ● | ● | |
| 13 | ADJUSTMENT BOLT | 62A-11 | ● | ● | | | |
| | ADJUSTMENT BOLT SS | 62A-11SS | | | ● | ● | |

- Item included in specified Model
- ★ Repair kit items (all ★ items in kit)

MODEL 70

Parts Drawing



MODEL 70XL & 70

3/4", 1"

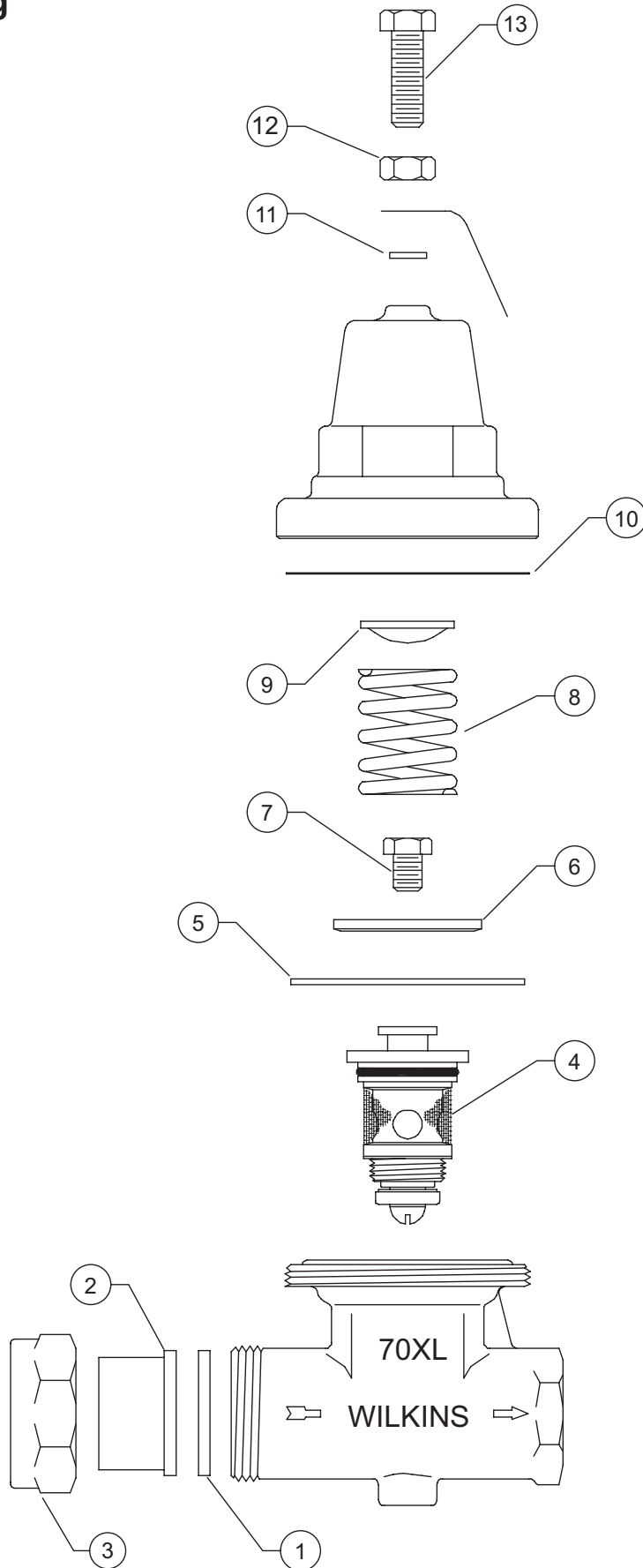


| Item No. | Description | 3/4" | 1" | 70XL | 70XC | 70XCM | 70XDU | 70XDJC | 70XLLP | 70XLS | 70XLS | 70XLHT | |
|----------|-------------------------|-------------|------------|------|------|-------|-------|--------|--------|-------|-------|--------|---|
| 1 | UNION GASKET | 62-13 | 63-13 | ● | ● | ● | ● | ● | ● | ● | ● | ● | ★ |
| 2 | TAILPIECE XL (FNPT) | 602-19XL | 63-19XL | ● | | | ● | | ● | ● | ● | ● | |
| | TAILPIECE COPPER (FC) | 602C-19 | 63C-19 | | ● | | | ● | | | | | |
| | TAILPIECE XL CXC (MALE) | 602CM-19XL | 63CM-19XL | | | ● | | | | | | | |
| 3 | UNION NUT | 62-9-010F | 63-9-010F | ● | ● | ● | ● | ● | ● | ● | ● | ● | |
| 4 | CARTRIDGE | 72-CARTSS | 73-CARTSS | ● | ● | ● | ● | ● | ● | ● | ● | ● | ★ |
| 5 | DIAPHRAGM | 72-43 | 73-43 | ● | ● | ● | ● | ● | ● | ● | ● | ● | ★ |
| | DIAPHRAGM | 72-43HT | — | | | | | | | | | ● | |
| 6 | DIAPHRAGM DISC | 72-80 | 73-80 | ● | ● | ● | ● | ● | ● | ● | | ● | ★ |
| | DIAPHRAGM DISC SS | 72-80SS | 73-80SS | | | | | | | | ● | | |
| 7 | BOLT | 72-11 | 72-11 | ● | ● | ● | ● | ● | ● | ● | | ● | ★ |
| | BOLT SS | 72-11SS | 72-11SS | | | | | | | | ● | | |
| 8 | SPRING | 62-33 | 603-33 | ● | ● | ● | ● | ● | | ● | | ● | ★ |
| | SPRING | 1100-33-150 | — | | | | | | ● | | | | |
| | SPRING SS | 62-33SS | 603-33SS | | | | | | | | ● | | |
| 9 | SPRING DISC | 602A-80 | 602A-80 | ● | ● | ● | ● | ● | | | | ● | ★ |
| | SPRING DISC | BR2-80A | — | | | | | | ● | | | | |
| | SPRING DISC SS | 602A-80SS | 602A-80SS | | | | | | | ● | ● | | |
| 10 | FRICTION RING | 602B-12 | 603B-12 | ● | ● | ● | ● | ● | ● | ● | | ● | ★ |
| | FRICTION RING SS | 602B-12SS | 603B-12SS | | | | | | | | ● | | |
| 11 | WASHER | 606C-12 | 606C-12 | | | | | | | ● | | | |
| 12 | LOCKNUT | 501B-9 | 501B-9 | ● | ● | ● | ● | ● | ● | | | ● | |
| | LOCKNUT SS | 501B-9SS | 501B-9SS | | | | | | | ● | ● | | |
| 13 | ADJUSTMENT BOLT | 62A-11 | 602A-11A | ● | ● | ● | ● | ● | ● | | | ● | |
| | ADJUSTMENT BOLT SS | 62A-11SS | 602A-11ASS | | | | | | | ● | ● | | |

- Item included in specified Model
- ★ Repair kit items (all ★ items in kit)

MODEL 70XL & 70

Parts Drawing



MODEL 70DU

1-1/4", 1-1/2", 2"

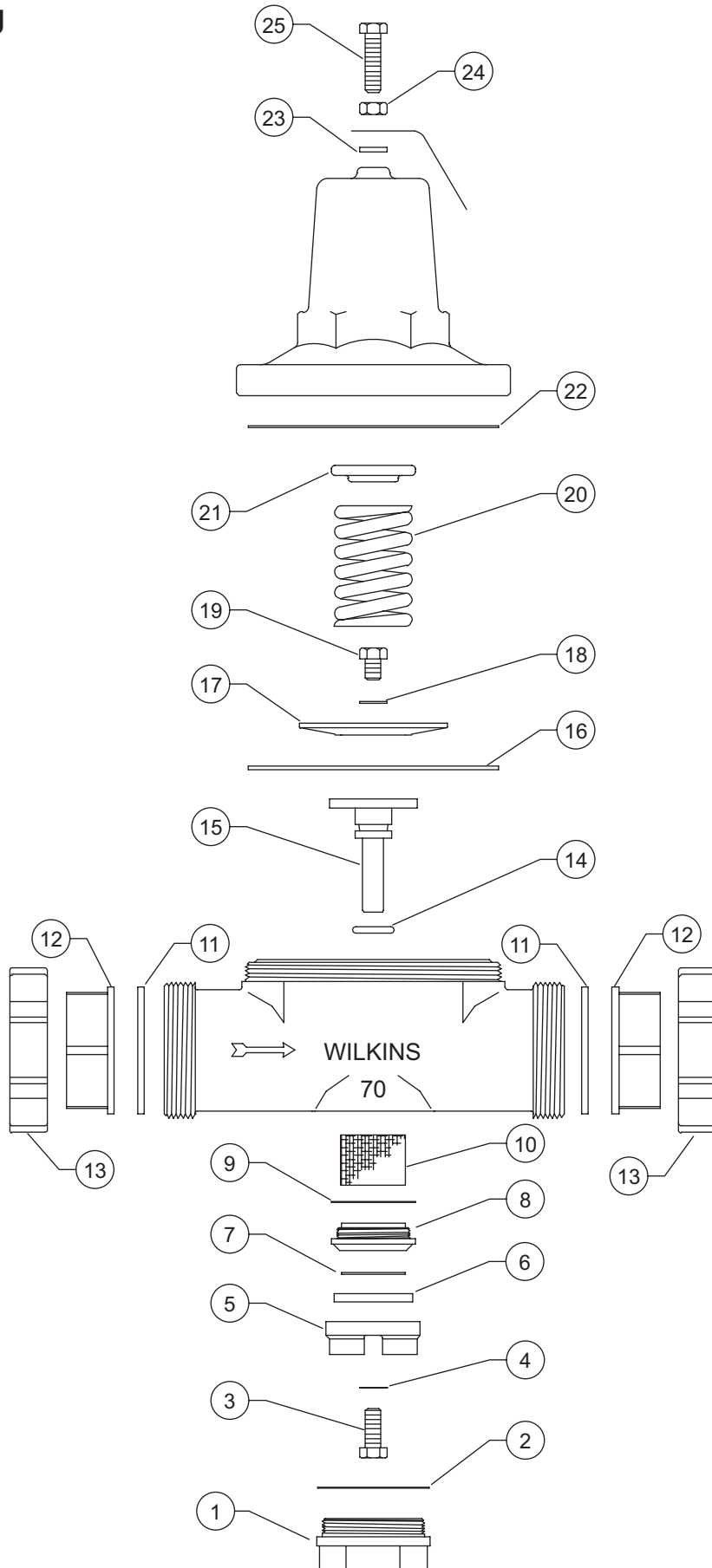


| Item No. | Description | 1-1/4" | 1-1/2" | 2" | 70DU | 70DUC | 70DUSC | 70DUHR |
|----------|---------------------------|---------------|---------------|---------------|------|-------|--------|--------|
| 1 | MAIN CAP | 604-3XL-010F | 604-3XL-010F | 606-3XL-010F | ● | ● | ● | ● |
| 2 | CAP WASHER | 604A-12 | 604A-12 | 606A-12 | ● | ● | ● | ● ★ |
| 3 | BOLT | 604B-11 | 606B-11 | 606B-11 | ● | ● | ● | ● ★ |
| 4 | WASHER | 604C-12 | 606C-12 | 606C-12 | ● | ● | ● | ● |
| 5 | PLUNGER | 604-34XL | 605-34XL-010F | 606-34XL-010F | ● | ● | ● | ● |
| 6 | SEAT WASHER | 604-12 | 605-12 | 506-12 | ● | ● | ● | ● ★ |
| 7 | WASHER | 504-14 | 505-14 | 606-14 | ● | ● | ● | ● ★ |
| 8 | SEAT | 604-18 | 605-18 | 606-18 | ● | ● | ● | ● |
| 9 | SEAT GASKET | 504A-13 | 505A-13 | 506A-13 | ● | ● | ● | ● |
| 10 | SCREEN | 74-41 | 75-41 | 76-41 | ● | ● | ● | ● |
| 11 | UNION GASKET | 604-13 | 605-13 | 606-13 | ● | ● | ● | ● ★ |
| 12 | TAILPIECE NPT (FEMALE) | 604-19XL-010F | 605-19XL-010F | 606-19XL-010F | ● | | ● | ● |
| | TAILPIECE COPPER (FEMALE) | 604C-19 | 605C-19 | 606C-19 | | ● | | |
| 13 | UNION NUT | 604-9-010F | 605-9-010F | 606-9-010F | ● | ● | ● | ● |
| 14 | O-RING | 110N | 115N | 115N | ● | ● | ● | ● ★ |
| 15 | STEM | 604-5XL | 606-5XL-010F | 606-5XL-010F | ● | ● | ● | ● ★ |
| 16 | DIAPHRAGM | 504-43 | 505-43 | 606-43 | ● | ● | ● | ● ★ |
| 17 | DIAPHRAGM DISC | 604-80 | 505-80BR | 505-80BR | ● | ● | ● | ● ★ |
| 18 | WASHER | — | 605-14 | — | ● | ● | ● | ● ★ |
| 19 | BOLT | 503-11 | 505-11 | 505-11 | ● | ● | ● | ● ★ |
| 20 | SPRING | 604-33 | 605-33B | 606-33 | ● | ● | ● | ● ★ |
| | SPRING (HIGH RANGE) | 1005-33 | 605-33HR | 606-33HR | | | | ● ★ |
| 21 | SPRING DISC | 602A-80 | 505A-80 | 505A-80 | ● | ● | ● | |
| | SPRING DISC (HIGH RANGE) | | | 507A-80 | | | | ● |
| 22 | FRICTION RING | 604B-12 | 505B-12 | — | ● | ● | ● | ● ★ |
| 23 | WASHER | 606C-12 | 508C-12 | 508C-12 | | | ● | |
| 24 | LOCKNUT | 501B-9 | 505B-9A | 505B-9A | ● | ● | | ● |
| | LOCKNUT SS | 501B-9SS | 505B-9ASS | 505B-9ASS | | | ● | |
| 25 | ADJUSTMENT BOLT | 62A-11 | 605A-11A | 605A-11A | ● | ● | | ● |
| | ADJUSTMENT BOLT | 62A-11SS | 605A-11ASS | 507A-11 | | | ● | |

- Item included in specified Model
- ★ Repair kit items (all ★ items in kit)

MODEL 70DU

Parts Drawing



MODEL 90

3/4", 1"

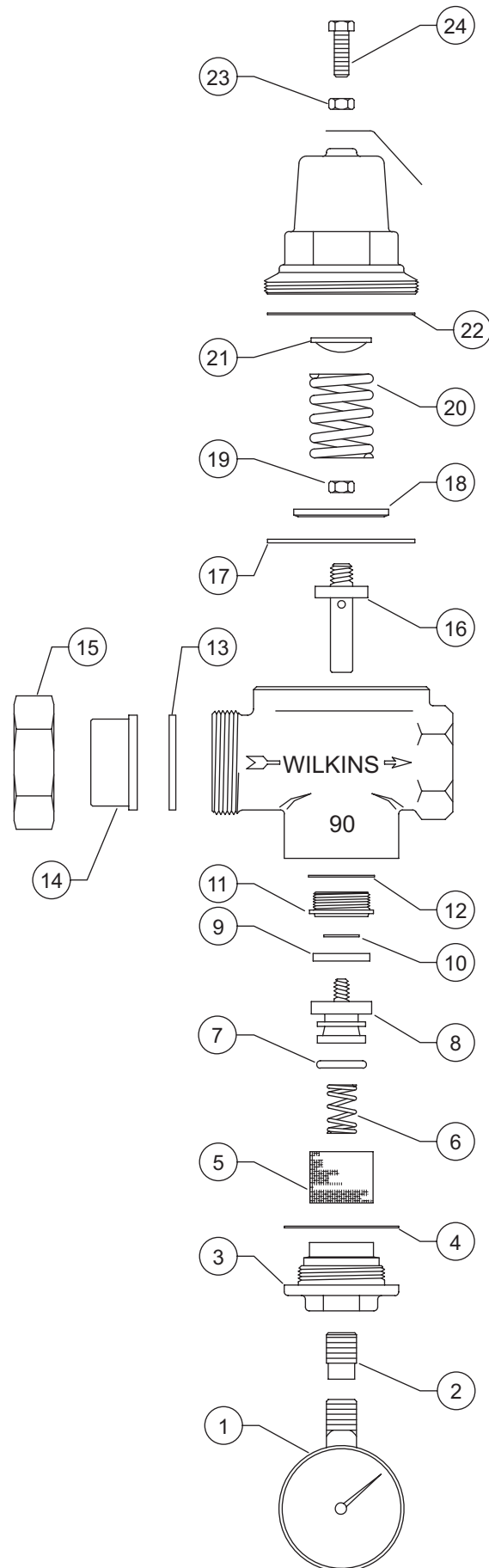


| Item No. | Description | 3/4" | 1" | |
|----------|---------------------------|------------|------------|---|
| 1 | GAUGE | 92-25 | 92-25 | |
| 2 | PLUG | 2-7 | 2-7 | |
| 3 | MAIN CAP | 62-3-010F | 62-3-010F | |
| | MAIN CAP (TAPPED) | 91-3-020F | 91-3-020F | |
| 4 | CAP WASHER | 62A-12 | 62A-12 | ★ |
| 5 | SCREEN | 62-41 | 63-41 | ★ |
| 6 | SPRING | 602-33LPVS | 602-33LPVS | |
| 7 | O-RING | 114N | 114N | ★ |
| 8 | PLUNGER | 62-34 | 63-34 | |
| 9 | SEAT WASHER | 62-12 | 62-12 | ★ |
| 10 | WASHER | 62-14 | 62-14 | ★ |
| 11 | SEAT | 62-18 | 62-18 | |
| 12 | SEAT GASKET | 62A-13 | 62A-13 | |
| 13 | UNION GASKET | 62-13 | 63-13 | |
| 14 | TAILPIECE NPT (FEMALE) | 602-19XL | 63-19XL | |
| | TAILPIECE NPT (MALE) | 602M-19XL | 63M-19XL | |
| | TAILPIECE COPPER (FEMALE) | 602C-19 | 63C-19 | |
| | TAILPIECE COPPER (MALE) | 602CM-19XL | 63CM-19XL | |
| 15 | UNION NUT | 62-9-010F | 63-9-010F | |
| 16 | STEM | 62-5 | 62-5 | |
| 17 | DIAPHRAGM | 62-43 | 62-43 | ★ |
| 18 | DIAPHRAGM DISC | 602-80 | 602-80 | |
| 19 | NUT | 501B-9 | 501B-9 | |
| 20 | SPRING | 62-33 | 62-33 | ★ |
| 21 | SPRING DISC | 602A-80 | 602A-80 | ★ |
| 22 | FRICITION RING | 62B-12 | 62B-12 | ★ |
| 23 | LOCKNUT | 501B-9 | 501B-9 | |
| 24 | ADJUSTMENT BOLT | 602A-11A | 602A-11A | |

★ Repair kit items (all ★ items in kit)

MODEL 90

Parts Drawing



MODEL 500XL & 500

1/2", 3/4", 1"

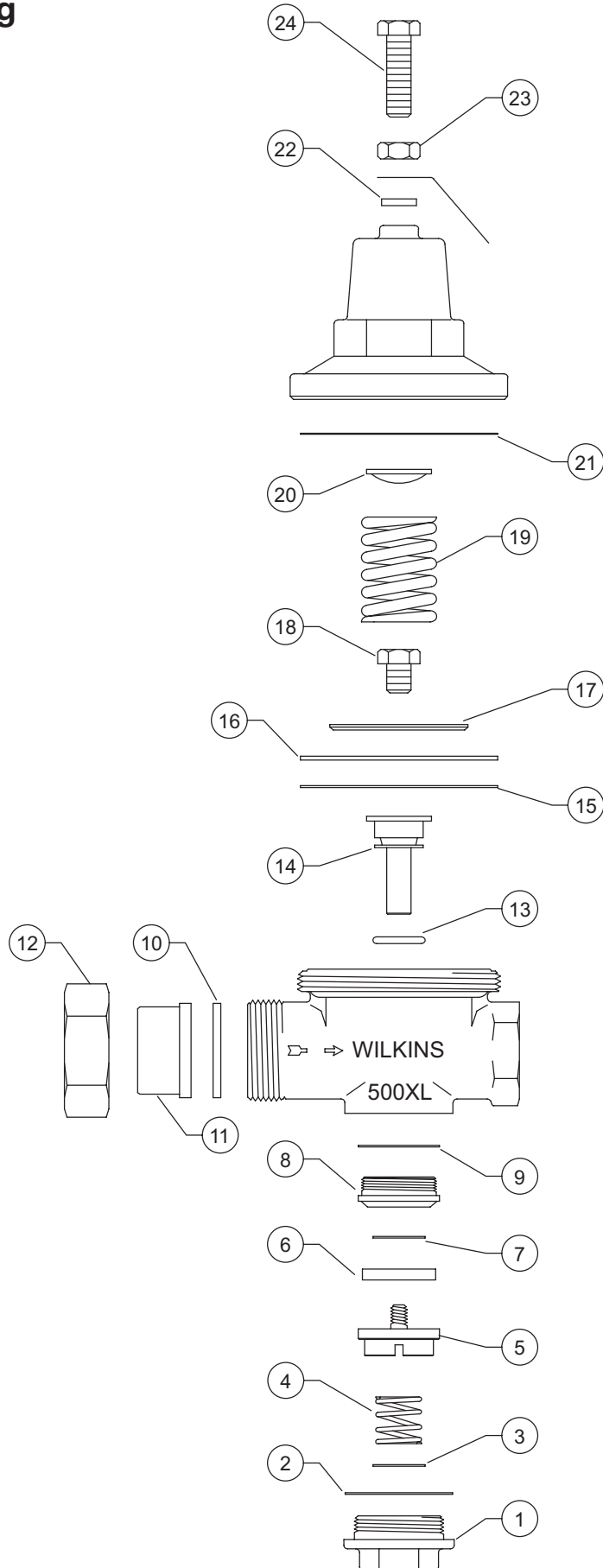


| Item No. | Description | 1/2" | 3/4" | 1" | 500XL | 500XLLPC | 500XLLPV | 500XLHT | 500XLHR | 500XLHLR | 500XLSC | 500XLSSW | 510XL |
|----------|-------------------------|------------------------------|------------------------------|------------------------------|-------|----------|----------|---------|---------|----------|---------|----------|-------|
| 1 | MAIN CAP | 501-3XL-010F | 602-3XL | 603-3AXL-010F | ● | ● | ● | ● | ● | ● | ● | ● | ● |
| 2 | CAP WASHER | 501A-12 | 503A-13 | 603A-12A | ● | ● | ● | ● | ● | ● | ● | ● | ● |
| 3 | WASHER | — | — | 204-14A | | ● | ● | | | ● | | | |
| 4 | SPRING | 602-33LPVS | 602-33LPVS | 602-33LPVS | | ● | ● | | | ● | | | |
| 5 | PLUNGER | 602-34XL | 602-34XL | 603-34XL | ● | | | ● | ● | | ● | | |
| | PLUNGER | 602-34XLLP | 602-34XLLP | 603-34XLLP | | ● | ● | | | ● | | | |
| | PLUNGER | 612-34XL,604C-12, 602B-11 | 612-34XL,604C-12, 602B-11 | 613-34XL,604C-12, 602B-11 | | | | | | | | | ● |
| | PLUNGER | 602-34XLCH | 602-34XLCH | 603-34XLCH | | | | | | | | ● | |
| 6 | SEAT WASHER | 502-12 | 502-12 | 603-12A | ● | ● | ● | ● | ● | ● | ● | ● | ● |
| 7 | WASHER | 601-14 | 502-14 | 62-14 | ● | ● | ● | ● | ● | ● | ● | ● | ● |
| 8 | SEAT | 601-18 | 602-18 | 603-18 | ● | ● | ● | ● | ● | ● | ● | ● | ● |
| 9 | SEAT GASKET | 501A-13 | 502A-13 | 603A-13 | ● | ● | ● | ● | ● | ● | ● | ● | ● |
| 10 | UNION GASKET | 601-13 | 62-13 | 63-13 | ● | ● | ● | ● | ● | ● | ● | ● | ● |
| 11 | TAILPIECE NPT (FEMALE) | 601-19XL | 602-19XL | 63-19XL | ● | ● | ● | ● | ● | ● | ● | ● | ● |
| | TAILPIECE NPT (MALE) | — | 602M-19XL | 63M-19XL | ● | ● | ● | ● | ● | ● | ● | ● | ● |
| | TAILPIECE COPPER (FEM) | — | 602C-19 | 63C-19 | ● | ● | ● | ● | ● | ● | ● | ● | ● |
| | TAILPIECE COPPER (MALE) | — | 602CM-19XL | 63CM-19XL | ● | ● | ● | ● | ● | ● | ● | ● | ● |
| 12 | UNION NUT | 601-9-010F | 62-9-010F | 63-9-010F | ● | ● | ● | ● | ● | ● | ● | ● | ● |
| 13 | O-RING | 011N | WK-111N | 113N | ● | | | ● | ● | ● | ● | ● | ● |
| | O-RING | 011N | 113N | 113N | | ● | ● | | | | | | |
| 14 | STEM | 501-5XL | 602-5XL | 603-5XL | ● | | | ● | ● | ● | ● | | ● |
| | STEM | 501-5XL | 602-5XLLP | 603-5XL | | ● | ● | | | | | | |
| | STEM | 501-5XLCH | 602-5XLCH | 603-5XLCH | | | | | | | | ● | |
| 15 | TEFLON DIAPHRAGM | 62-43HT | 62-43HT | 503-43HT | | | ● | ● | | | | | |
| 16 | DIAPHRAGM | 501-43 | 501-43 | 503-43 | ● | ● | ● | ● | ● | ● | ● | ● | |
| | DIAPHRAGM | 511-43 | 511-43 | 513-43 | | | | | | | | | ● |
| 17 | DIAPHRAGM DISC | 602-80 | 602-80 | 603-80 | ● | ● | ● | ● | ● | ● | ● | ● | ● |
| 18 | BOLT / NUT | 501B-9 | 501B-9 | 503-11 | ● | | | ● | ● | ● | ● | | ● |
| | BOLT / NUT | 501B-9 | 503-11 | 503-11 | | ● | ● | | | | | | |
| | BOLT / NUT | 501B-9SS | 501B-9SS | 503-11BR | | | | | | | | ● | ● |
| 19 | SPRING | 62-33 | 62-33 | 603-33 | ● | ● | ● | ● | | | ● | ● | |
| | SPRING | 601-33HR | 601-33HR | 503-33HR | | | | | ● | ● | | | ● |
| 20 | SPRING DISC | 602A-80 | 602A-80 | 602A-80 | ● | ● | ● | ● | ● | ● | ● | ● | ● |
| 21 | FRICITION RING | 602B-12 | 602B-12 | 603B-12 | ● | ● | ● | ● | ● | ● | ● | ● | ● |
| 22 | WASHER | 606C-12 | 606C-12 | 606C-12 | | | | | | | ● | | |
| 23 | LOCKNUT | 501B-9 | 501B-9 | 501B-9 | ● | ● | ● | ● | ● | ● | | | ● |
| | LOCKNUT SS | 501B-9SS | 501B-9SS | 501B-9SS | | | | | | | ● | ● | |
| 24 | ADJUSTMENT BOLT | 602A-11A | 602A-11A | 602A-11A | ● | ● | ● | ● | | | | | |
| | ADJUSTMENT BOLT | 602A-11A | 602A-11A | 603A-11AHR | | | | | ● | ● | | | ● |
| | ADJUSTMENT BOLT SS | 602A-11ASS | 602A-11ASS | 602A-11ASS | | | | | | | ● | ● | |

- Item included in specified Model
- ★ Repair kit items (all ★ items in kit)

MODEL 500XL & 500

Parts Drawing



MODEL 500XL & 500

1-1/4", 1-1/2", 2", 2-1/2", 3"

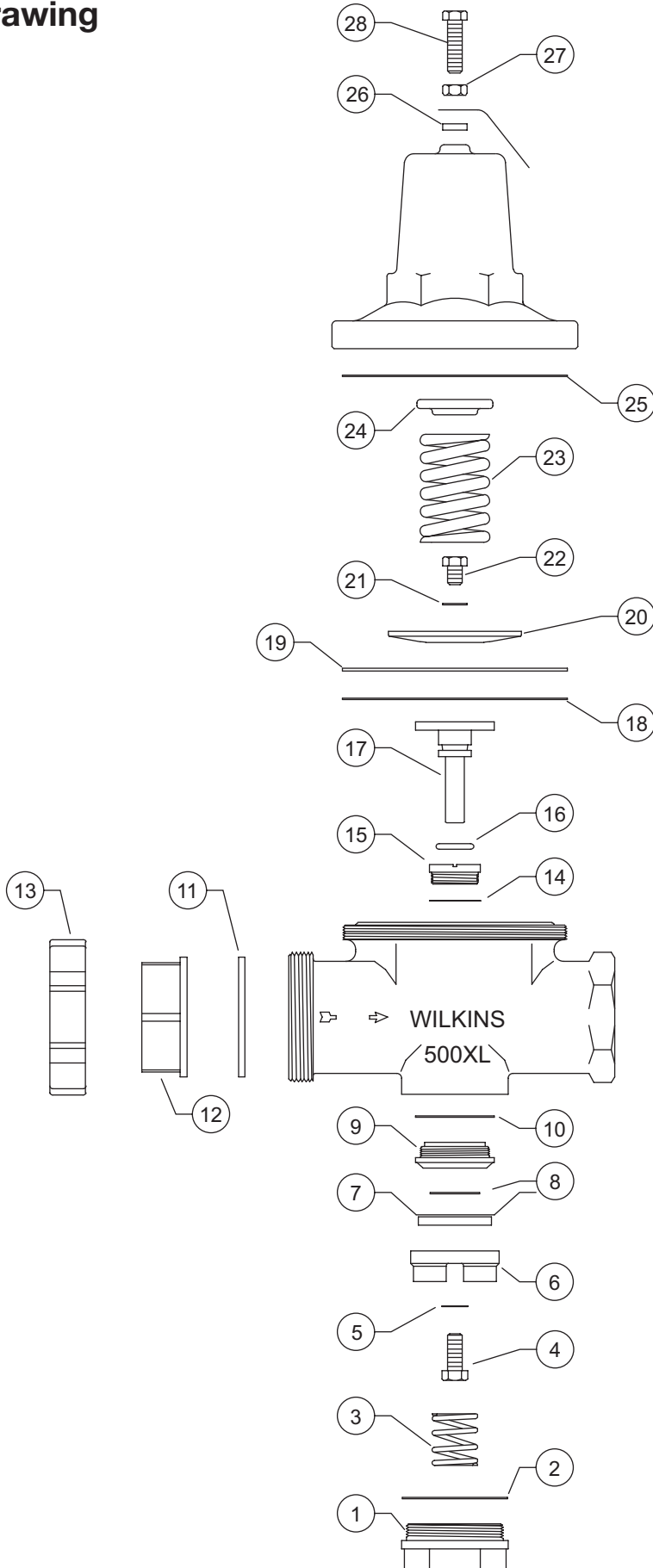


| Item No. | Description | 1-1/4" | 1-1/2" | 2" | 2-1/2" | 3" | 500XL | 500XLLPC | 500XLLPV | 500XLHT | 500XLHR | 500XLHLR | 500XLSL | 500XLSW | 510XL |
|----------|------------------------|---------------|---------------|---------------|----------------|---------------|-------|----------|----------|---------|---------|----------|---------|---------|-------|
| 1 | MAIN CAP | 604-3XL-010F | 604-3XL-010F | 606-3XL-010F | 507-3XL-010F | 508-3XL-010F | ● | ● | ● | ● | ● | ● | ● | ● | ● |
| 2 | CAP WASHER | 604A-12 | 604A-12 | 606A-12 | 507A-12 | 508A-12 | ● | ● | ● | ● | ● | ● | ● | ● | ★ |
| 3 | SPRING | 604-33LPVS | 605-33LPVS | 606-33LPVS | 507-33LPVS | 508-33LPVS | | ● | ● | | | ● | | | |
| 4 | BOLT | 604B-11 | 606B-11 | 606B-11 | 606B-11 | 959-11 | ● | ● | ● | ● | ● | ● | ● | ● | ● |
| 5 | WASHER | 604C-12 | 606C-12 | 606C-12 | 606C-12 | 508C-12 | ● | ● | ● | ● | ● | ● | ● | ● | ★ |
| 6 | PLUNGER | 604-34XL | 605-34XL-010F | 606-34XL-010F | 507-34AXL-010F | 508-34XL-010F | ● | ● | ● | ● | ● | ● | ● | | ● |
| | PLUNGER | 604-34XLCH | 605-34XLCH | 606-34XLCH | 507-34AXLCH | 508-34XLCH | | | | | | | | ● | |
| 7 | SEAT WASHER | 604-12 | 605-12 | 506-12 | 507-12 | 508-12 | ● | ● | ● | ● | ● | ● | ● | ● | ★ |
| 8 | WASHER | 504-14 | 505-14 | 606-14 | 507-14 | 508-14 | ● | ● | ● | ● | ● | ● | ● | ● | ★ |
| 9 | SEAT | 604-18 | 605-18 | 606-18 | 507-18 | 508-18 | ● | ● | ● | ● | ● | ● | ● | ● | ● |
| 10 | SEAT GASKET | 504A-13 | 505A-13 | 506A-13 | 507A-13 | 508A-13 | ● | ● | ● | ● | ● | ● | ● | ● | ● |
| 11 | UNION GASKET | 604-13 | 605-13 | 606-13 | — | — | ● | ● | ● | ● | ● | ● | ● | ● | ★ |
| 12 | TAILPIECE NPT (FEM) | 604-19XL-010F | 605-19XL-010F | 606-19XL-010F | — | — | ● | ● | ● | ● | ● | ● | ● | ● | ● |
| | TAILPIECE COPPER (FEM) | 604C-19 | 605C-19 | 606C-19 | — | — | ● | ● | ● | ● | ● | ● | ● | ● | ● |
| 13 | UNION NUT | 604-9-010F | 605-9-010F | 606-9-010F | — | — | ● | ● | ● | ● | ● | ● | ● | ● | ● |
| 14 | GASKET | — | — | — | — | 508A-13 | ● | ● | ● | ● | ● | ● | ● | ● | ● |
| 15 | SLEEVE | — | — | — | — | 508-2XL-010F | ● | ● | ● | ● | ● | ● | ● | ● | ● |
| 16 | O-RING | 110N | 115N | 115N | 222N | 333N | ● | ● | ● | ● | ● | ● | ● | ● | ★ |
| 17 | STEM | 604-5XL | 606-5XL-010F | 606-5XL-010F | 507-5BXL-010F | 508-5XL-010F | ● | ● | ● | ● | ● | ● | ● | ● | ★ |
| | STEM | 604-5XLCH | 606-5XLCH | 606-5XLCH | 507-5BXLCH | 508-5XLCH | | | | | | | | ● | ★ |
| 18 | TEFLON DIAPHRAGM | 504-43HT | 505-43HT | 606-43HT | 507-43HT | 507-43HT | | ● | ● | | | | | | ★ |
| 19 | DIAPHRAGM | 504-43 | 505-43 | 606-43 | 507-43 | 507-43 | ● | ● | ● | ● | ● | ● | ● | ● | ★ |
| | DIAPHRAGM | 514-43 | 515-43 | 606-43 | 507-43 | 507-43 | | | | | | | | | ● ★ |
| 20 | DIAPHRAGM DISC | 604-80 | 505-80BR | 505-80BR | 505-80BR | 505-80BR | ● | ● | ● | ● | ● | ● | ● | ● | ★ |
| 21 | WASHER | — | 605A-14 | — | — | — | ● | ● | ● | ● | ● | ● | ● | ● | ★ |
| 22 | BOLT | 503-11 | 505-11 | 505-11 | 505-11 | 505-11 | ● | ● | ● | ● | ● | ● | ● | ● | ★ |
| | BOLT | 503-11BR | 3004B-11 | 3004B-11 | 3004B-11 | 3004B-11 | | | | | | | | ● | ★ |
| 23 | SPRING | 604-33 | 605-33B | 606-33 | 507-33B | 507-33B | ● | ● | ● | ● | | | ● | ● | ★ |
| | SPRING | 1005-33 | 605-33HR | 606-33HR | 507-33HR | 507-33HR | | | | | ● | ● | | | ● ★ |
| 24 | SPRING DISC | 602A-80 | 505A-80 | 505A-80 | 505A-80 | 505A-80 | ● | ● | ● | ● | | | ● | | |
| | SPRING DISC | 604A-80 | — | — | — | — | | | | | ● | ● | | | ● ★ |
| | SPRING DISC | 602A-80 | 505A-80BR | 505A-80BR | 505A-80BR | 505A-80BR | | | | | | | | ● | ◇ |
| | SPRING DISC | — | 505A-80 | 507A-80 | 505A-80 | 505A-80 | | | | | ● | ● | | | ● |
| 25 | FRICITION RING | 604B-12 | 505B-12 | — | — | — | ● | ● | ● | ● | ● | ● | ● | ● | ★ |
| 26 | WASHER | 606C-12 | 508C-12 | 508C-12 | 508C-12 | 508C-12 | | | | | | | | ● | |
| 27 | LOCKNUT | 501B-9 | 505B-9A | 505B-9A | 505B-9A | 505B-9A | ● | ● | ● | ● | ● | ● | | | ● |
| | LOCKNUT SS | 501B-9SS | 505B-9ASS | 505B-9ASS | 505B-9ASS | 505B-9ASS | | | | | | | | ● | ● |
| 28 | ADJUSTMENT BOLT | 62A-11 | 605A-11A | 605A-11A | 507A-11A | 507A-11A | ● | ● | ● | ● | ● | ● | | | ● |
| | ADJUSTMENT BOLT | 62A-11SS | 605A-11ASS | 507A-11 | 507A-11 | 507A-11 | | | | | | | | ● | ● |

- Item included in specified Model
- ★ Repair kit items (all ★ items in kit)
- ◇ Repair kit items (all ◇ items in kit), 1-1/4" ONLY

MODEL 500XL & 500

Parts Drawing



MODEL 500XLC & 500FC

2", 2-1/2", 3"

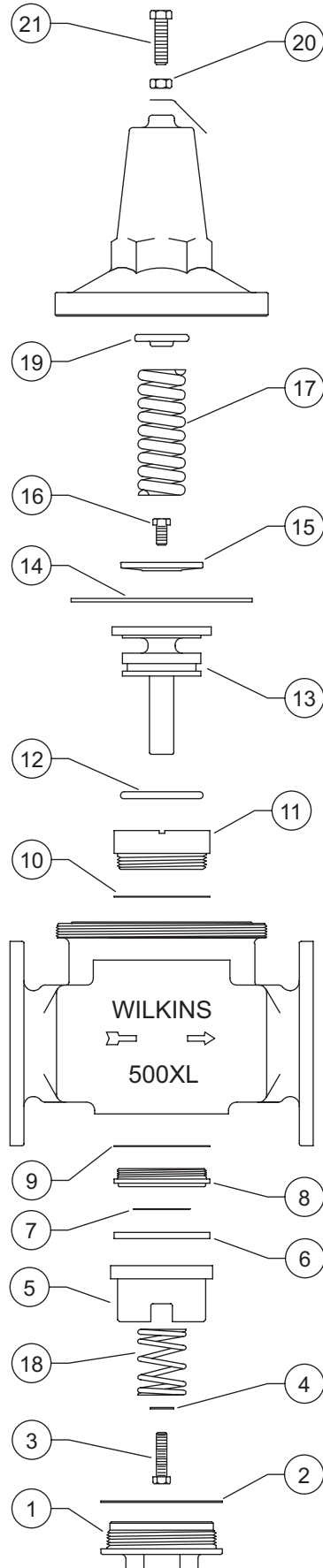


| Item No. | Description | 2" | 2-1/2" | 3" | 500XLC | 500XLC SW | 500XLC HR | 500XLC HLR |
|----------|-----------------|----------------|----------------|---------------|--------|-----------|-----------|------------|
| 1 | MAIN CAP | 507-3XL-010F | 507-3XL-010F | 508-3XL-010F | ● | ● | ● | ● |
| 2 | CAP WASHER | 507A-12 | 507A-12 | 508A-12 | ● | ● | ● | ● ★ |
| 3 | BOLT | 606B-11 | 606B-11 | 959-11 | ● | ● | ● | ● |
| 4 | WASHER | 606C-12 | 606C-12 | 508C-12 | ● | ● | ● | ● ★ |
| 5 | PLUNGER | 507-34AXL-010F | 507-34AXL-010F | 508-34XL-010F | ● | | ● | ● |
| | PLUNGER | 507-34AXLCH | 507-34AXLCH | 508-34XLCH | | ● | | |
| 6 | SEAT WASHER | 507-12 | 507-12 | 508-12 | ● | ● | ● | ● ★ |
| 7 | WASHER | 606-14 | 507-14 | 508-14 | ● | ● | ● | ● ★ |
| 8 | SEAT | 506-18 | 507-18 | 508-18 | ● | ● | ● | ● |
| 9 | SEAT GASKET | 506A-13 | 507A-13 | 508A-13 | ● | ● | ● | ● |
| 10 | SLEEVE GASKET | 603A-13 | 603A-13 | 508A-13 | ● | ● | ● | ● |
| 11 | SLEEVE | 606-2 | 606-2 | 508-2XL-010F | ● | | ● | ● |
| | SLEEVE | 606-2 | 606-2 | 508-2XLCH | | ● | | |
| 12 | O-RING | 115N | 115N | 333N | ● | ● | ● | ● ★ |
| 13 | STEM | 507-5XL-010F | 507-5XL-010F | 508-5XL-010F | ● | | ● | ● ★ |
| | STEM | 507-5XLCH | 507-5XLCH | 508-5XLCH | | ● | | ● ★ |
| 14 | DIAPHRAGM | 507-43 | 507-43 | 507-43 | ● | ● | ● | ● ★ |
| 15 | DIAPHRAGM DISC | 505-80BR | 505-80BR | 505-80BR | ● | ● | ● | ● ★ |
| 16 | BOLT | 505-11 | 505-11 | 505-11 | ● | | ● | ● ★ |
| | BOLT | 3004B-11 | 3004B-11 | 3004B-11 | | ● | | |
| 17 | SPRING | 507-33B | 507-33B | 507-33B | ● | ● | | ● ★ |
| | SPRING | 507-33HR | 507-33HR | 507-33HR | | | ● | ● ★ |
| 18 | SPRING | 507-33LPVS | 507-33LPVS | 508-33LPVS | | | | ● ★ |
| 19 | SPRING DISC | 505A-80 | 505A-80 | 505A-80 | ● | ● | | ● ★ |
| | SPRING DISC | 507A-80 | 507A-80 | 507A-80 | | | ● | ● ★ |
| 20 | LOCKNUT | 505B-9A | 505B-9A | 505B-9A | ● | | ● | ● |
| | LOCKNUT SS | 505B-9ASS | 505B-9ASS | 505B-9ASS | | ● | | |
| 21 | ADJUSTMENT BOLT | 507A-11 | 507A-11 | 507A-11 | ● | ● | ● | ● |

- Item included in specified Model
- ★ Repair kit items (all ★ items in kit)

MODEL 500XLFC & 500FC

Parts Drawing



MODEL 600XL & 600

1/2", 3/4", 1"

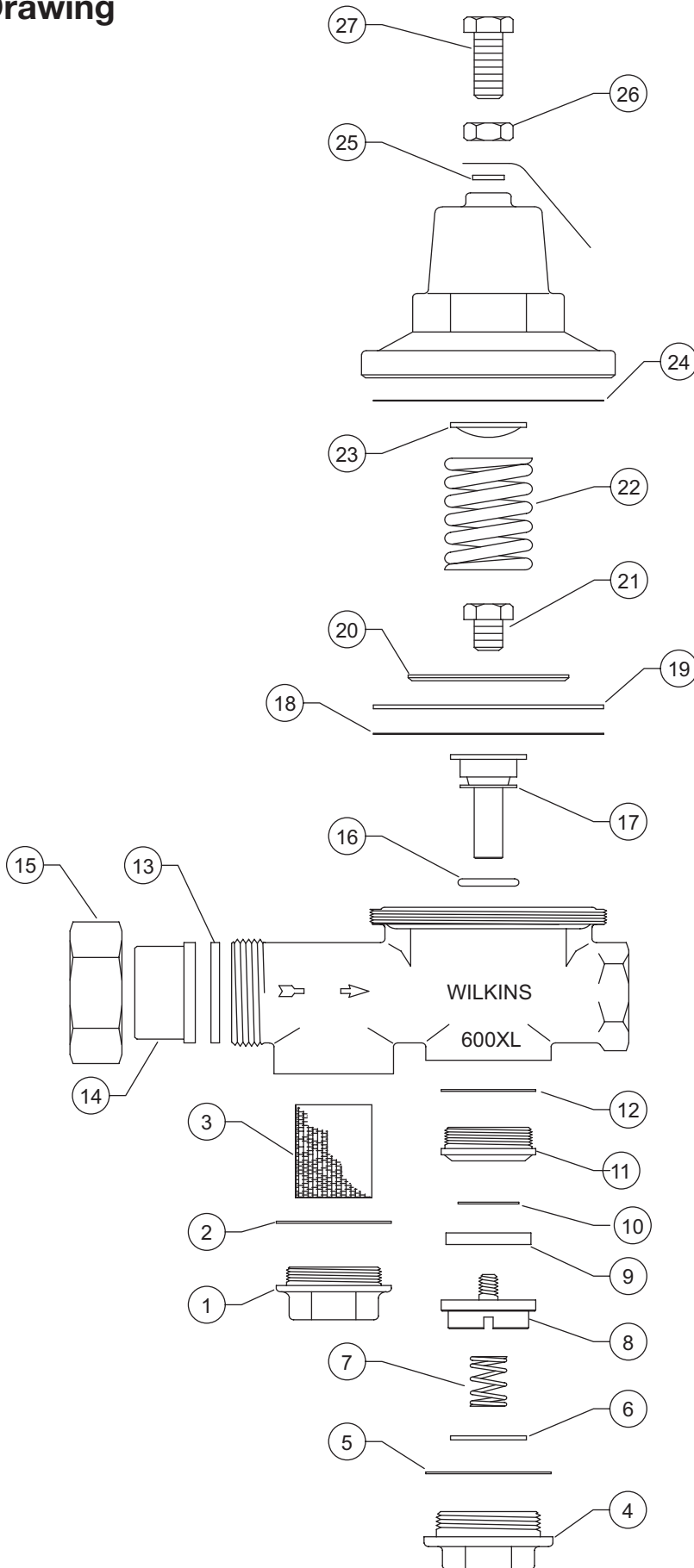


| Item No. | Description | 1/2" | 3/4" | 1" | 600XL | 600XLLPC | 600XLLPV | 600XLHT | 600XLHR | 600XLSC | 610XL | 600XLHLR |
|----------|---------------------------|----------------------------|----------------------------|----------------------------|-------|----------|----------|---------|---------|---------|-------|----------|
| 1 | STRAINER CAP | 601-3XL | 602-3XL | 501-3XL-010F | ● | ● | ● | ● | ● | ● | ● | ● |
| 2 | CAP WASHER | 601A-12 | 503A-13 | 501A-12 | ● | ● | ● | ● | ● | ● | ● | ● ★ |
| 3 | SCREEN | 601-41 | 602-41B | 603-41 | ● | ● | ● | ● | ● | ● | ● | ● ★ |
| 4 | MAIN CAP | 601-3XL | 602-3XL | 603-3AXL-010F | ● | | | ● | ● | ● | ● | |
| | MAIN CAP | 601-3XLLP | 602-3XL | 603-3AXL-010F | | ● | ● | | | | | ● ★ |
| 5 | CAP WASHER | 601A-12 | 503A-13 | 603A-12A | ● | ● | ● | ● | ● | ● | ● | ● |
| 6 | WASHER | — | — | 204-14A | | ● | ● | | | | | ● |
| 7 | SPRING | 602-33LPVS | 602-33LPVS | 602-33LPVS | | ● | ● | | | | | ● |
| 8 | PLUNGER | 601-34XL | 602-34XL | 603-34XL | ● | | | ● | ● | ● | | |
| | PLUNGER | 601-34XLLP | 602-34XLLP | 603-34XLLP | | ● | ● | | | | | ● |
| | PLUNGER | 611-34XL, 604C-12, 602B-11 | 612-34XL, 604C-12, 602B-11 | 613-34XL, 604C-12, 602B-11 | | | | | | | ● | |
| 9 | SEAT WASHER | 601-12A | 502-12 | 603-12A | ● | ● | ● | ● | ● | ● | ● | ● ★ |
| 10 | WASHER | 601-14 | 502-14 | 62-14 | ● | ● | ● | ● | ● | ● | ● | ● ★ |
| 11 | SEAT | 601-18 | 602-18 | 603-18 | ● | ● | ● | ● | ● | ● | ● | ● |
| 12 | SEAT GASKET | 501A-13 | 502A-13 | 603A-13 | ● | ● | ● | ● | ● | ● | ● | ● |
| 13 | UNION GASKET | 601-13 | 62-13 | 63-13 | ● | ● | ● | ● | ● | ● | ● | ● |
| 14 | TAILPIECE NPT (FEMALE) | 601-19XL | 602-19XL | 63-19XL | ● | ● | ● | ● | ● | ● | ● | ● |
| | TAILPIECE NPT (MALE) | — | 602M-19XL | 63M-19XL | ● | ● | ● | ● | ● | ● | ● | ● |
| | TAILPIECE COPPER (FEMALE) | 601C-19 | 602C-19 | 63C-19 | ● | ● | ● | ● | ● | ● | ● | ● |
| | TAILPIECE COPPER (MALE) | — | 602CM-19XL | 63CM-19XL | ● | ● | ● | ● | ● | ● | ● | ● |
| 15 | UNION NUT | 601-9-010F | 62-9-010F | 63-9-010F | ● | ● | ● | ● | ● | ● | ● | ● ★ |
| 16 | O-RING | 011N | WK-111N | 113N | ● | | | ● | ● | ● | ● | ● ★ |
| | O-RING | 011N | 113N | 113N | | ● | ● | | | | | ● ★ |
| 17 | STEM | 601-5XL | 602-5XL | 603-5XL | ● | | | ● | ● | ● | ● | ● ★ |
| | STEM | 601-5XL | 602-5XLLP | 603-5XL | | ● | ● | | | | | ● ★ |
| 18 | TEFLON DIAPHRAGM | 62-43HT | 62-43HT | 503-43HT | | | ● | ● | | | | ● ★ |
| 19 | DIAPHRAGM | 501-43 | 501-43 | 503-43 | ● | ● | ● | ● | ● | ● | | ● ★ |
| | DIAPHRAGM | 511-43 | 511-43 | 513-43 | | | | | | | ● | ● ★ |
| 20 | DIAPHRAGM DISC | 602-80 | 602-80 | 603-80 | ● | ● | ● | ● | ● | ● | ● | ● ★ |
| 21 | BOLT / NUT | 501B-9 | 501B-9 | 503-11 | ● | | | ● | ● | ● | ● | ● ★ |
| | BOLT / NUT | 501B-9 | 503-11 | 503-11 | | ● | ● | | | | | ● ★ |
| 22 | SPRING | 62-33 | 62-33 | 603-33 | ● | ● | ● | ● | | ● | | ● ★ |
| | SPRING | 601-33HR | 601-33HR | 503-33HR | | | | | ● | | ● | ● ★ |
| 23 | SPRING DISC | 602A-80 | 602A-80 | 602A-80 | ● | ● | ● | ● | ● | ● | ● | ● ★ |
| 24 | FRICTION RING | 602B-12 | 602B-12 | 603B-12 | ● | ● | ● | ● | ● | ● | ● | ● ★ |
| 25 | WASHER | 606C-12 | 606C-12 | 606C-12 | | | | | | ● | | |
| 26 | LOCKNUT | 501B-9 | 501B-9 | 501B-9 | ● | ● | ● | ● | ● | | ● | ● ★ |
| | LOCKNUT SS | 501B-9SS | 501B-9SS | 501B-9SS | | | | | | ● | | |
| 27 | ADJUSTMENT BOLT | 602A-11A | 602A-11A | 602A-11A | ● | ● | ● | ● | | | | |
| | ADJUSTMENT BOLT | 602A-11A | 602A-11A | 603A-11AHR | | | | | ● | | ● | ● |
| | ADJUSTMENT BOLT SS | 602A-11ASS | 602A-11ASS | 602A-11ASS | | | | | | ● | | |

- Item included in specified Model
- ★ Repair kit items (all ★ items in kit)

MODEL 600XL & 600

Parts Drawing



MODEL 600XL & 600

1-1/4", 1-1/2", 2"

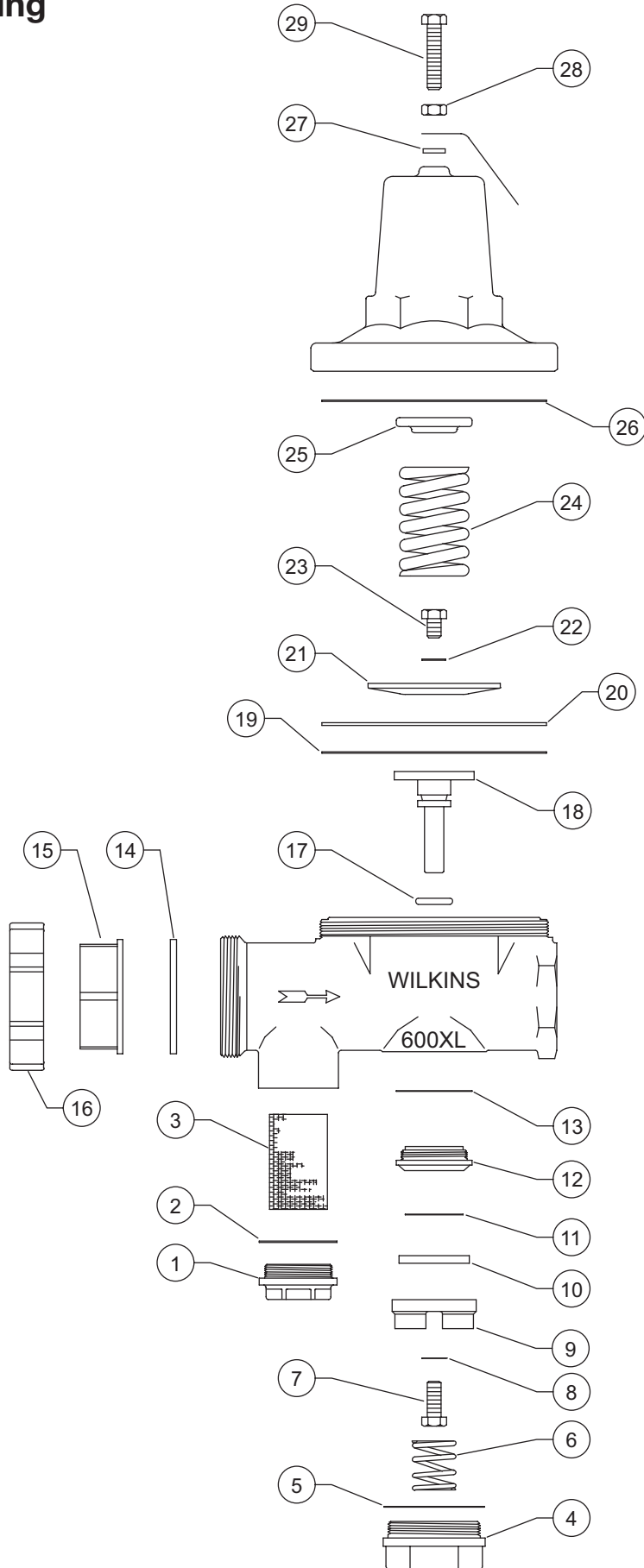


| Item No. | Description | 1-1/4" | 1-1/2" | 2" | 600XL | 600XLLPC | 600XLLPV | 600XLHT | 600XLHR | 600XLLSC | 610XL | 600XLHLR | |
|----------|---------------------------|---------------|----------------|---------------|-------|----------|----------|---------|---------|----------|-------|----------|---|
| 1 | STRAINER CAP | 603-3AXL-010F | 605A-3AXL-010F | 606A-3XL-010F | ● | ● | ● | ● | ● | ● | ● | ● | |
| 2 | GASKET | 603A-12A | 603A-12A | 604A-12 | ● | ● | ● | ● | ● | ● | ● | ● | ★ |
| 3 | SCREEN | 603-41 | 505-41 | 606-41 | ● | ● | ● | ● | ● | ● | ● | ● | ★ |
| 4 | MAIN CAP | 604-3XL-010F | 604-3XL-010F | 606-3XL-010F | ● | ● | ● | ● | ● | ● | ● | ● | |
| 5 | GASKET | 604A-12 | 604A-12 | 606A-12 | ● | ● | ● | ● | ● | ● | ● | ● | ★ |
| 6 | SPRING | 604-33LPVS | 605-33LPVS | 606-33LPVS | | ● | ● | | | | | ● | |
| 7 | BOLT | 604B-11 | 606B-11 | 606B-11 | ● | ● | ● | ● | ● | ● | ● | ● | |
| 8 | WASHER | 604C-12 | 606C-12 | 606C-12 | ● | ● | ● | ● | ● | ● | ● | ● | ★ |
| 9 | PLUNGER | 604-34XL | 605-34XL-010F | 606-34XL-010F | ● | ● | ● | ● | ● | ● | ● | ● | |
| 10 | SEAT WASHER | 604-12 | 605-12 | 506-12 | ● | ● | ● | ● | ● | ● | ● | ● | ★ |
| 11 | WASHER | 504-14 | 505-14 | 606-14 | ● | ● | ● | ● | ● | ● | ● | ● | ★ |
| 12 | SEAT | 604-18 | 605-18 | 606-18 | ● | ● | ● | ● | ● | ● | ● | ● | |
| 13 | SEAT GASKET | 504A-13 | 505A-13 | 506A-13 | ● | ● | ● | ● | ● | ● | ● | ● | |
| 14 | UNION GASKET | 604-13 | 605-13 | 606-13 | ● | ● | ● | ● | ● | ● | ● | ● | ★ |
| 15 | TAILPIECE NPT (FEMALE) | 604-19XL-010F | 605-19XL-010F | 606-19XL-010F | ● | ● | ● | ● | ● | ● | ● | ● | |
| | TAILPIECE COPPER (FEMALE) | 604C-19 | 605C-19 | 606C-19 | ● | ● | ● | ● | ● | ● | ● | ● | |
| 16 | UNION NUT | 604-9-010F | 605-9-010F | 606-9-010F | ● | ● | ● | ● | ● | ● | ● | ● | |
| 17 | O-RING | 110N | 115N | 115N | ● | ● | ● | ● | ● | ● | ● | ● | ★ |
| 18 | STEM | 604-5XL | 606-5XL-010F | 606-5XL-010F | ● | ● | ● | ● | ● | ● | ● | ● | ★ |
| 19 | TEFLON DIAPHRAGM | 504-43HT | 505-43HT | 606-43HT | | | ● | ● | | | | | ★ |
| 20 | DIAPHRAGM | 504-43 | 505-43 | 606-43 | ● | ● | ● | ● | ● | ● | | ● | ★ |
| | DIAPHRAGM | 514-43 | 515-43 | 606-43 | | | | | | | ● | | ★ |
| 21 | DIAPHRAGM DISC | 604-80 | 505-80BR | 505-80BR | ● | ● | ● | ● | ● | ● | ● | ● | ★ |
| 22 | WASHER | — | 605A-14 | — | ● | ● | ● | ● | ● | ● | ● | ● | ★ |
| 23 | BOLT | 503-11 | 505-11 | 505-11 | ● | ● | ● | ● | ● | ● | ● | ● | ★ |
| 24 | SPRING | 604-33 | 605-33B | 606-33 | ● | ● | ● | ● | | ● | | | ★ |
| | SPRING | 1005-33 | 605-33HR | 606-33HR | | | | | ● | | ● | ● | ★ |
| 25 | SPRING DISC | 602A-80 | 505A-80 | 505A-80 | ● | ● | ● | ● | | ● | | | |
| | SPRING DISC | 604A-80 | 505A-80 | 507A-80 | | | | | ● | | ● | ● | |
| 26 | FRICTION RING | 604B-12 | 505B-12 | — | ● | ● | ● | ● | ● | ● | ● | ● | ★ |
| 27 | WASHER | 606C-12 | 508C-12 | 508C-12 | | | | | | ● | | | |
| 28 | LOCKNUT | 501B-9 | 505B-9A | 505B-9A | ● | ● | ● | ● | ● | | ● | ● | |
| | LOCKNUT SS | 501B-9SS | 505B-9SS | 505B-9ASS | | | | | | ● | | | |
| 29 | ADJUSTMENT BOLT | 62A-11 | 605A-11A | 605A-11A | ● | ● | ● | ● | ● | | ● | ● | |
| | ADJUSTMENT BOLT SS | 62A-11SS | 605A-11ASS | 605A-11ASS | | | | | | ● | | | |

- Item included in specified Model
- ★ Repair kit items (all ★ items in kit)

MODEL 600XL & 600

Parts Drawing



MODEL 625XL

3/4", 1"

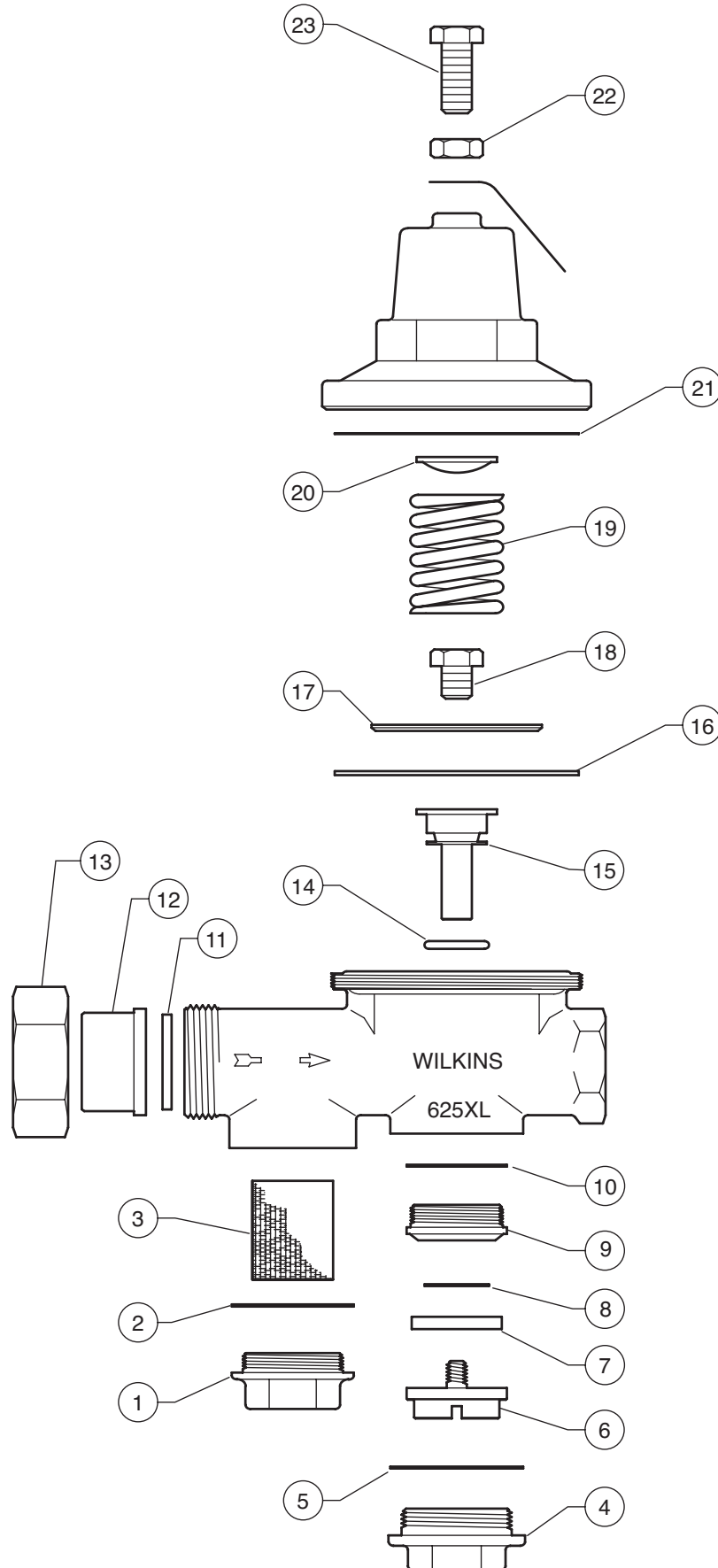


| Item No. | Description | 3/4" | 1" | 625XL | |
|----------|---------------------------|-------------|---------------|-------|---|
| 1 | STRAINER CAP | 602-3XL | 501-3XL-010F | ● | |
| 2 | STRAINER CAP GASKET | 503A-13 | 501A-12 | ● | ★ |
| 3 | SCREEN | 602-41B | 603-41 | ● | ★ |
| 4 | MAIN CAP | 602-3XL | 603-3AXL-010F | ● | |
| 5 | MAIN CAP GASKET | 503A-13 | 603A-12A | ● | ★ |
| 6 | PLUNGER | 602-34XL | 603-34XL | ● | |
| 7 | SEAT WASHER | 502-12 | 603-12A | ● | ★ |
| 8 | WASHER | 502-14 | 62-14 | ● | ★ |
| 9 | SEAT | 602-18 | 603-18 | ● | |
| 10 | SEAT GASKET | 502A-13 | 603A-13 | ● | |
| 11 | UNION O-RING | 121N | 126N | ● | ★ |
| 12 | TAILPIECE NPT (FEMALE) | 602-19XLRW | 63-19XLRW | ● | |
| | TAILPIECE COPPER (FEMALE) | 602C-19 | 63C-19XLRW | ● | |
| 13 | UNION NUT | 62-9RW-010F | 63-9RW-010F | ● | |
| 14 | O-RING | WK-111N | 113N | ● | ★ |
| 15 | STEM | 602-5XL | 603-5XL | ● | ★ |
| 16 | DIAPHRAGM | 501-43 | 503-43 | ● | ★ |
| 17 | DIAPHRAGM DISC | 602-80 | 603-80 | ● | ★ |
| 18 | BOLT / NUT | 501B-9 | 503-11 | ● | ★ |
| 19 | SPRING | 62-33 | 603-33 | ● | ★ |
| 20 | SPRING DISC | 602A-80 | 602A-80 | ● | ★ |
| 21 | FRICTION RING | 602B-12 | 603B-12 | ● | ★ |
| 22 | LOCKNUT | 501B-9 | 501B-9 | ● | |
| 23 | ADJUSTMENT BOLT | 602A-11A | 602A-11A | ● | |

- Item included in specified Model
- ★ Repair kit items (all ★ items in kit)

MODEL 625XL

Parts Drawing



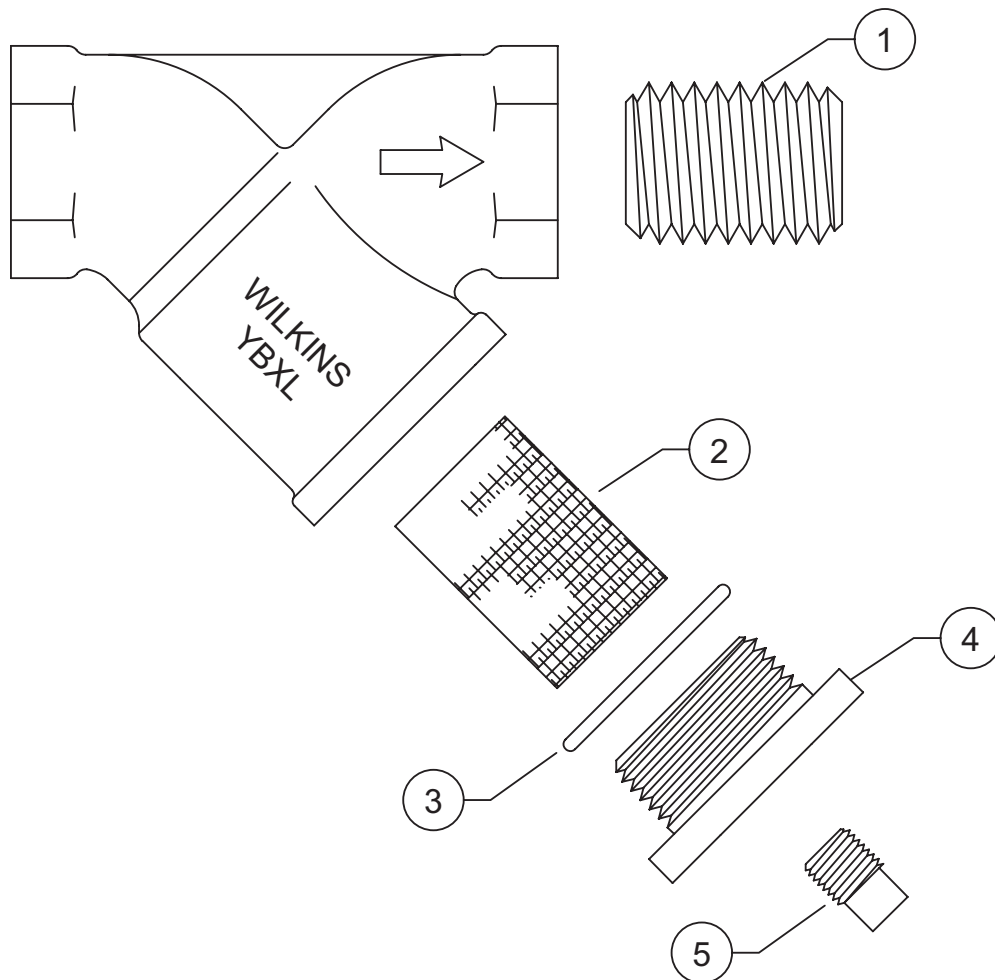
MODEL YBXL & YB

1/2, 3/4", 1", 1-1/4", 1-1/2", 2", 2-1/2", 3"



| Item No. | Description | 1/2" | 3/4" | 1" | 1-1/4" | 1-1/2" | 2" | 2-1/2" | 3" | |
|----------|-------------------|---------|---------|---------|---------|---------|---------|--------------|--------------|---|
| 1 | NIPPLE | 101-21B | 102-21B | 103-21B | 104-21B | 105-21B | 106-21B | 107-21B | 108-21B | |
| 2 | SCREEN (20MESH) | 111-41 | 112-41 | 113-41 | 114-41 | 115-41 | 116-41 | 107-41 | 108-41 | ★ |
| 3 | CAP O-RING | 120N | WK-125N | 132N | 140N | 146N | 234N | 237N | 244N | ★ |
| 4 | CAP | 111-3XL | 112-3XL | 113-3XL | 114-3XL | 115-3XL | 116-3XL | 107-3XL-010F | 108-3XL-010F | |
| 5 | PLUG (YBXLP ONLY) | 101-7B | 558-7 | 5510-7 | 5510-7 | 5510-7 | 5510-7 | 558-7 | 558-7 | |

★ Repair kit items (all ★ items in kit)

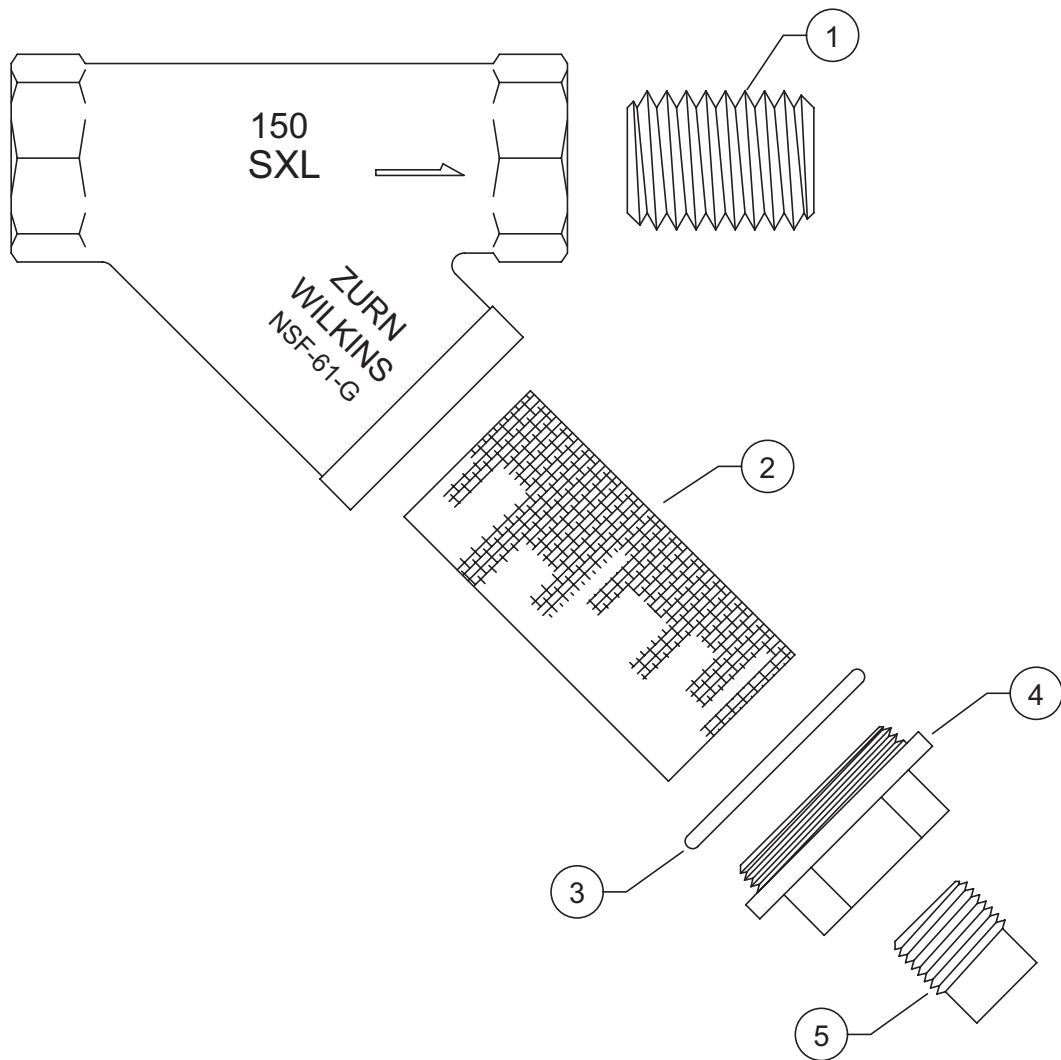


MODEL SXL & S

1/2, 3/4", 1", 1-1/4", 1-1/2", 2", 2-1/2", 3"



| Item No. | Description | 1/2" | 3/4" | 1" | 1-1/4" | 1-1/2" | 2" | 2-1/2" | 3" |
|----------|-----------------|---------|---------|---------|---------|---------|---------|---------|---------|
| 1 | NIPPLE | 101-21B | 102-21B | 103-21B | 104-21B | 105-21B | 106-21B | 107-21B | 108-21B |
| 2 | SCREEN (20MESH) | 101-41S | 102-41S | 103-41S | 104-41S | 105-41S | 106-41S | 107-41S | 108-41S |
| 3 | O-RING | 119N | 124N | 127N | 133N | 142N | 231N | 235N | 238N |
| 4 | CAP | N/A | N/A | N/A | N/A | N/A | N/A | N/A | N/A |
| 5 | PLUG | 101-7B | 101-7B | 558-7 | 558-7 | 558-7 | 558-7 | 558-7 | 558-7 |

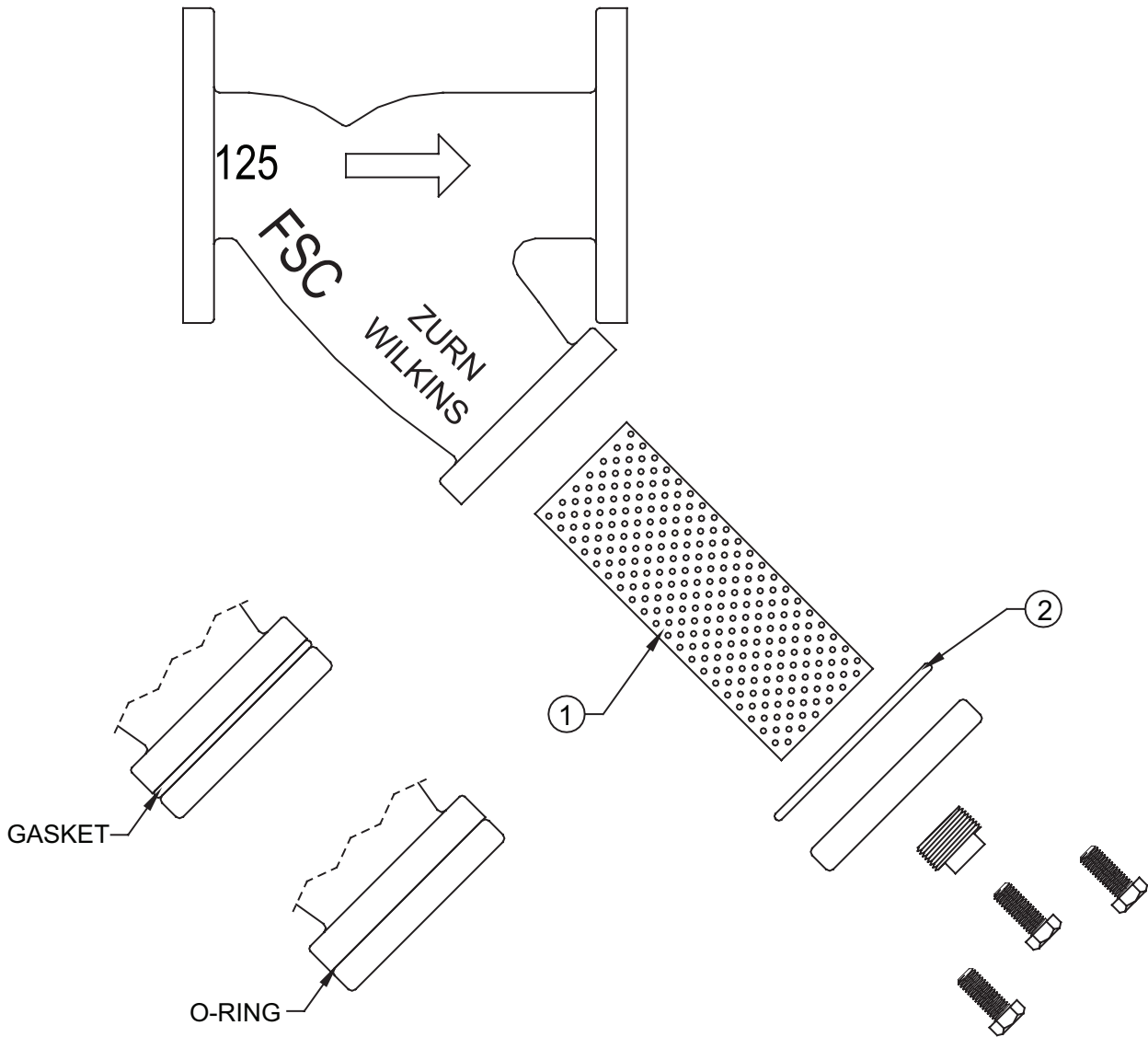


MODEL FSC

2-1/2", 3", 4", 6", 8", 10"



| Item No. | Description | 2-1/2" | 3" | 4" | 6" | 8" | 10" |
|----------|-------------|--------|--------------|--------|---------|---------|---------|
| 1 | SCREEN | FS7-41 | FS8-41 | FS9-41 | FS10-41 | FS11-41 | FS12-41 |
| 2 | GASKET | FS7-13 | FS8-13 | FS9-13 | FS10-13 | FS11-13 | N/A |
| 2 | O-RING | N/A | N/A <td 249N | 263N | 377N | FS12-13 | |



VERIFY WHETHER A GASKET OR O-RING ARE NEEDED ON 4", 6" AND 8" SIZES

NOTES





ZURN WILKINS
1747 Commerce Way, Paso Robles, CA 93446, 1-855-663-9876
In Canada:
ZURN INDUSTRIES LIMITED
3544 Nashua Drive, Mississauga, Ontario L4V 1L2, 905-405-8272

1.855.ONE.ZURN
www.zurn.com

ZMKTG480-46 Rev. 2/17