

# MODEL 375XL and 375

## Reduced Pressure Principle – Backflow Preventers 1-1/4" to 2"



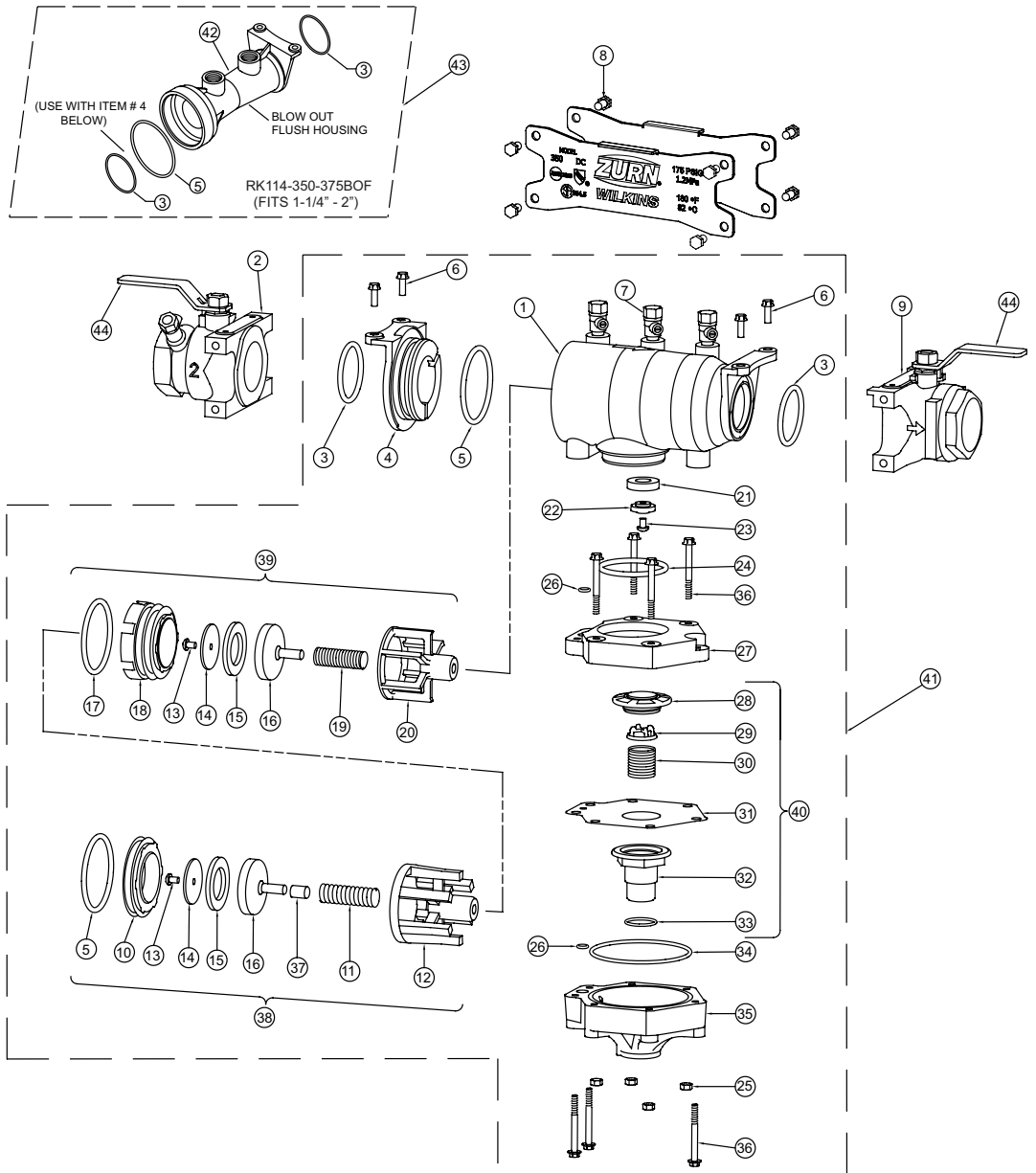
Item Number	Description	1-1/4" Product Number	1-1/2" Product Number	2" Product Number
1	HOUSING	374-1	374-1	374-1
1	INTEGRAL INLET BV, 375XL	374-48AXL	375-48AXL	376-48AXL
2	INTEGRAL INLET BV, 375	374-48A	375-48A	376-48A
3	O-RING	331N	331N	331N
4	SLEEVE	374-2	374-2	374-2
5	O-RING	337N	337N	337N
6	BOLT	352-11	352-11	352-11
7	TEST COCKS	14-860XL	14-860XL	14-860XL
8	BOLT	959-11B	959-11B	959-11B
9	INTEGRAL OUTLET BV, 375XL	374-48BXL	375-48BXL	376-48BXL
9	INTEGRAL OUTLET BV, 375	374-48B	375-48B	376-48B
10	SEAT, #1	374-18A	374-18A	374-18A
11	SPRING, #1	374-33A	374-33A	374-33A
12	SPRING RETAINER, #1	374-80A	374-80A	374-80A
13	BOLT	374-11A	374-11A	374-11A
14	SEAL RETAINER	374-14A	374-14A	374-14A
15	SEAL WASHER	374-12A	374-12A	374-12A
16	POPPET	374-30	374-30	374-30
17	O-RING	336N	336N	336N
18	SEAT, #2	374-18B	374-18B	374-18B
19	SPRING, #2	374-33B	374-33B	374-33B
20	SPRING RETAINER, #2	374-80B	374-80B	374-80B
21	SEAL WASHER	374-12	374-12	374-12
22	SEAL RETAINER	374-14CU	374-14CU	374-14CU
23	BOLT	952-11	952-11	952-11
24	O-RING	334N	334N	334N
25	NUT	5752-9	5752-9	5752-9
26	O-RING	WK-109N	WK-109N	WK-109N
27	BODY, RV	374-1CU	374-1CU	374-1CU
28	SEAT, RV	374-18CU	374-18CU	374-18CU
29	SPRING GUIDE	374-80CU	374-80CU	374-80CU
30	SPRING, RV	374-33CU	374-33CU	374-33CU
31	DIAPHRAGM	374-43	374-43	374-43
32	PLUNGER, RV	374-34	374-34	374-34
33	O-RING	123N	123N	123N
34	O-RING	243N	243N	243N
35	COVER	374-3	374-3	374-3
36	BOLT	374-11	374-11	374-11
37	SPACER	374-2A	374-2A	-
38	#1 CHECK ASSY	374-300A	374-300A	374-300A
39	#2 CHECK ASSY	374-300B	374-300B	374-300B
40	RELIEF VALVE STEM ASSY	374-50	374-50	374-50
41	VESSEL W/CHECKS and RV	RK114-375V	RK114-375V	RK114-375V
42	BODY, BLOW OUT FLUSH	374-1BOF	374-1BOF	374-1BOF
43	HOUSING, BLOW OUT/FLUSH	RK114-350-375BOF	RK114-350-375BOF	RK114-350-375BOF
44	GREEN BALL VALVE HANDLE and NUT	374-6XL	375-6XL	376-6XL
44	BLUE BALL VALVE HANDLE and NUT	374-6	375-6	376-6

### Repair Kit, Ball Valve Handles

RK114-375XLBVHD Size 1 1/4" 375XL/350XL					RK112-375XLBVHD Size 1 1/2" 375XL/350XL					RK2-375XLBVHD Size 2" 375XL/350XL				
Item	Part Number	Qty.	Description		Item	Part Number	Qty.	Description		Item	Part Number	Qty.	Description	
44	374-6XL	2	GREEN BALL VLV. HANDLE & NUT		44	375-6XL	2	GREEN BALL VLV. HANDLE & NUT		44	376-6XL	2	GREEN BALL VLV. HANDLE & NUT	
RK114-375BVHD Size 1 1/4" 375/350					RK112-375BVHD Size 1 1/2" 375/350					RK2-375BVHD Size 2" 375/350				
Item	Part Number	Qty.	Description		Item	Part Number	Qty.	Description		Item	Part Number	Qty.	Description	
44	374-6	2	BLUE BALL VLV. HANDLE & NUT		44	375-6	2	BLUE BALL VLV. HANDLE & NUT		44	376-6	2	BLUE BALL VLV. HANDLE & NUT	

# MODEL 375XL and 375 – 1-1/4" to 2"

## Parts Drawing



### Repair Kit

REPAIR KIT, RUBBER				REPAIR KIT, COMPLETE				REPAIR KIT, VESSEL																			
RK114-375R Size 1-1/4"-2"				RK114-375 Size 1-1/4"-2"				RK114-375V Size 1-1/4"-2"																			
Item	Part Number	Qty.	Description	Item	Part Number	Qty.	Description	Item	Part Number	Qty.	Description																
3	331N	2	O-RING	3	331N	2	O-RING	41	RK114-375V	1	VESSEL W/CHECKS and RV																
5	337N	2	O-RING	5	337N	1	O-RING	<b>REPAIR KIT, BLOW OUT/FLUSH</b> <b>RK114-350-375BOF</b> <b>Size 1-1/4"-2"</b>																			
15	374-12A	2	SEAL WASHER	38	374-300A	1	#1 CHECK ASSY																				
17	336N	1	O-RING	39	374-300B	1	#2 CHECK ASSY	42	374-1BOF	1	BODY, BLOW OUT FLUSH																
21	374-12	1	SEAL WASHER	21	374-12	1	SEAL WASHER	3	331N	2	O-RING																
24	334N	1	O-RING	22	374-14CU	1	SEAL RETAINER	5	337N	1	O-RING																
26	WK-109N	2	O-RING	24	334N	1	O-RING	<table border="1"> <thead> <tr> <th>Item</th> <th>Part Number</th> <th>Qty.</th> <th>Description</th> </tr> </thead> <tbody> <tr> <td>26</td> <td>WK-109N</td> <td>2</td> <td>O-RING</td> </tr> <tr> <td>34</td> <td>243N</td> <td>1</td> <td>O-RING</td> </tr> <tr> <td>40</td> <td>374-50</td> <td>1</td> <td>RELIEF VLV. STEM ASSY</td> </tr> </tbody> </table>				Item	Part Number	Qty.	Description	26	WK-109N	2	O-RING	34	243N	1	O-RING	40	374-50	1	RELIEF VLV. STEM ASSY
Item	Part Number	Qty.	Description																								
26	WK-109N	2	O-RING																								
34	243N	1	O-RING																								
40	374-50	1	RELIEF VLV. STEM ASSY																								
31	374-43	1	DIAPHRAGM	26	WK-109N	2	O-RING																				
33	123N	1	O-RING	34	243N	1	O-RING																				
34	243N	1	O-RING	40	374-50	1	RELIEF VLV. STEM ASSY																				