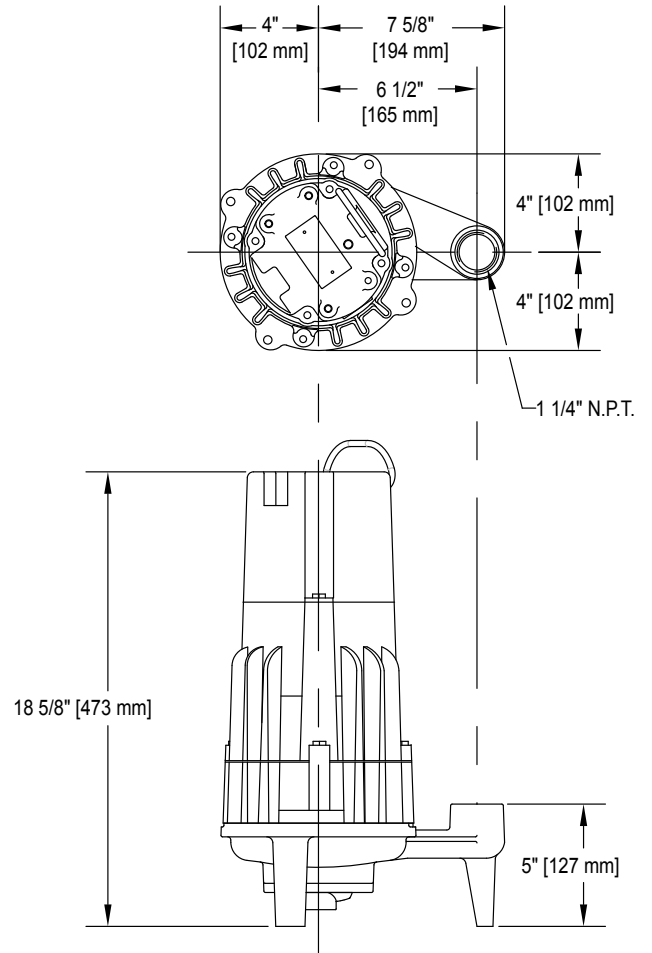


Product information presented here reflects conditions at time of publication. Consult factory regarding discrepancies or inconsistencies.

TECHNICAL DATA SHEET SHARK GRINDER Model 818/819/820 Single Seal Grinder Pumps

PRODUCT SPECIFICATIONS

MOTOR	Horse Power	1.0 - 2.0
	Voltage	115*/200/230
	Phase	1 Ph
	Hertz	60 Hz
	RPM	3450
	Type	Capacitor start / capacitor run
	Insulation	Class B
	Amps	7.7 - 15.5
PUMP	Operation	Automatic or nonautomatic
	Auto On / Off	Variable level float switch, customer sets
	Discharge Size	1-1/4" NPT vertical discharge
	Cord Length	20' (6 m) standard
	Cord Type	SOW or SOOW multi-wire neoprene
	Max. Head	107' (32.6 m)
	Max. Flow Rate	46 GPM (174 LPM)
	Max. Operating Temp.	130°F (54°C)
	Cooling	Oil filled
	Motor Protection	Auto reset thermal overload
MATERIALS	Cap	Cast iron
	Motor Housing	Cast iron
	Adapter	Cast iron
	Pump Housing	Cast iron
	Upper Bearing	Ball bearing
	Lower Bearing	Ball bearing
	Mechanical Seals	Carbon/ceramic
	Impeller Type	Vortex
	Impeller	Engineered plastic
	Hardware	Stainless steel
	Motor Shaft	Stainless steel
	Gasket & Square Ring	Neoprene
	Cutter	Type 440C stainless steel hardened to a Rockwell C55-60



SK1621

NOTE: See model comparison chart for specific details.

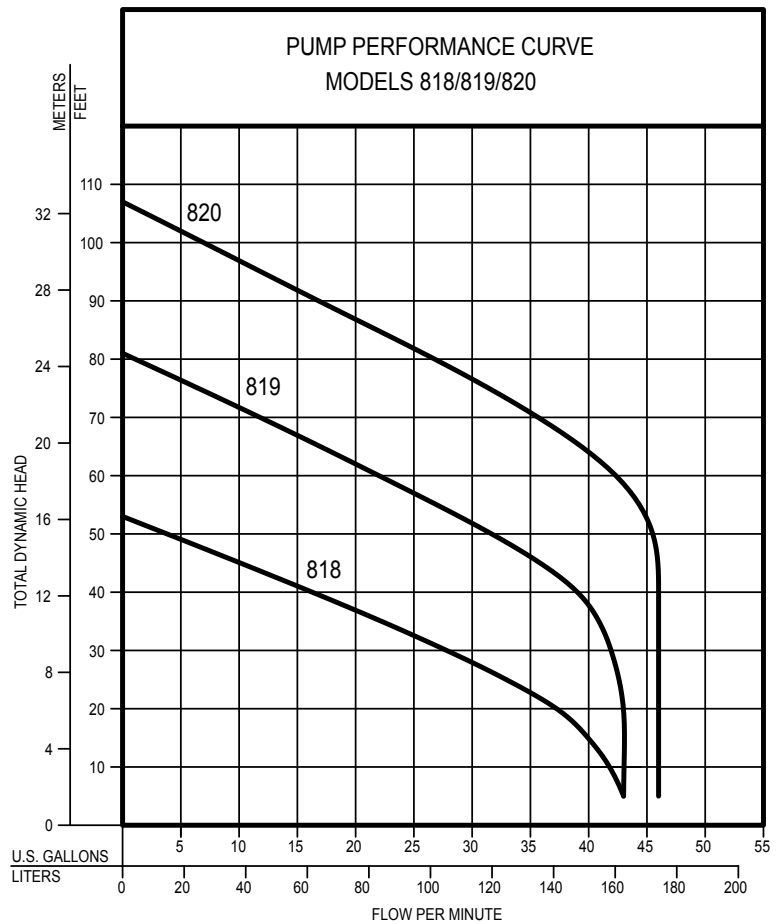
*115 Volt is for model 818 only



TOTAL DYNAMIC HEAD FLOW PER MINUTE

MODEL		818		819		820	
Feet	Meters	Gal.	Liters	Gal.	Liters	Gal.	Liters
5	1.5	43	163	43	163	46	174
10	3.0	42	159	43	163	46	174
15	4.6	40	151	43	163	46	174
20	6.1	37	140	43	163	46	174
25	7.6	33	125	43	163	46	174
30	9.1	28	106	42	159	46	174
35	10.7	22	83	41	155	46	174
40	12.2	16.5	62	39	148	46	174
50	15.2	-	-	32	121	46	174
60	18.3	-	-	22	83	43	163
70	21.3	-	-	12	45	36	136
80	24.4	-	-	-	-	27	102
90	27.4	-	-	-	-	16.7	63
100	30.5	-	-	-	-	7	26
Shut-off Head:		53 ft. (16.2m)		81 ft. (24.7m)		107 ft. (32.6m)	

154108



MODEL 818/819/820 GRINDER PUMPS, 1.0/1.5/2.0 HP, 1.25" NPT VERTICAL DISCHARGE, 20' CORDS

Model	MODEL COMPARISON								
	P/N	Mode	Volts	Ph	Amps	HP	Hz	Lbs	Kg
WM818	818-0006	Auto	115	1	13.6	1.0	60	89	40.3
N818	818-0002	Non	115	1	13.6	1.0	60	88	39.9
WH818	818-0008	Auto	200-208	1	7.7	1.0	60	89	40.3
I818	818-0005	Non	200-208	1	7.7	1.0	60	88	39.9
WD818	818-0007	Auto	230	1	8.5	1.0	60	89	40.3
E818	818-0004	Non	230	1	8.5	1.0	60	88	39.9
WH819	819-0007	Auto	200-208	1	12.0	1.5	60	89	40.3
I819	819-0005	Non	200-208	1	12.0	1.5	60	88	39.9
WD819	819-0006	Auto	230	1	10.8	1.5	60	89	40.3
E819	819-0004	Non	230	1	10.8	1.5	60	88	39.9
WH820	820-0005	Auto	200-208	1	15.5	2.0	60	89	40.3
I820	820-0006	Non	200-208	1	15.5	2.0	60	88	39.9
WD820	820-0011	Auto	230	1	13.7	2.0	60	89	40.3
E820	820-0004	Non	230	1	13.7	2.0	60	88	39.9



All installation of controls, protection devices and wiring should be done by a qualified licensed electrician. All electrical and safety codes should be followed including the most recent National Electrical Code (NEC) and the Occupational Safety and Health Act (OSHA).

PUMP SYSTEM COMPONENTS

(A) GRINDER PUMP STANDARD FEATURES:

- Tri-slice® two-bladed, high-torque cutter
- Scissorized cutting action shreds solids down to 7/32" and smaller
- 1-1/4" NPT vertical discharge
- Carbon/ceramic seal
- Thermal overload protection
- Engineered, glass-filled plastic impeller with stainless steel insert
- Stainless steel cutter plate/cutter
- Stainless steel motor shaft
- Stainless steel hardware
- 20' (6 m) power cord

Options:

- Extra length cords
 _____ 25' _____ 35' _____ 50'

(B) CONTROL PANELS & ALARM SYSTEMS STANDARD PANEL FEATURES:

- NEMA 4x
- H.O.A. switch
- Lockable hasp
- Audible and visual alarm, dry contacts
- Alarm silence switch
- Test switch for alarm and light
- 3 floats with 20' cords and mounting clamp
- UL listed

SIMPLEX PANELS:

- P/N 10-1037 7.0-15.0 Amps
 P/N 10-1038 15.0-20.0 Amps

DUPLEX PANELS:

- P/N 10-1044 7.0-15.0 Amps
 P/N 10-1045 15.0-20.0 Amps

HIGH WATER ALARMS:

- P/N 10-0412 indoor only.
 P/N 10-0623 outdoor.
 P/N 10-0126 outdoor w/ dry alarm contacts.

(C) FLOAT SWITCHES

Note: Control panels listed in section B are equipped with 3 floats with 20' cords.

SIMPLEX SYSTEM:

- P/N 10-0689 Weight required for indoor alarm system switch, field installed
 P/N 10-1878 Outdoor package requiring 35' cords; 3 required
 P/N 10-1879 Outdoor package requiring 50' cords; 3 required

DUPLEX SYSTEM:

- P/N 10-0689 Weights required for indoor package floats
 P/N 10-0744 Additional 20' float for 4-float duplex system
 P/N 10-1878 Float(s) with 35' cord; 3 or 4 required
 P/N 10-1879 Float(s) with 50' cord; 3 or 4 required

(D) JUNCTION BOXES (optional)

SIMPLEX SYSTEM:

- P/N 10-0579 Qwik Box, 115 Volt, 15 Amp
 P/N 10-0580 Qwik Box, 230 Volt, 15 or 20 Amp
 P/N 10-0647 For 3-float outdoor package

DUPLEX SYSTEM:

- P/N 10-0648 For 3-float systems
 P/N 10-0649 For 4-float systems

(E) INDOOR BASIN, COVER, AND HARDWARE - PREPACKAGED STANDARD EQUIPMENT

- Fiberglass basin
- Rust-resistant steel cover (epoxy coated)
- Inspection plate
- Pump access cover
- 3" Adaptaflex vent seal
- 1-1/4" Adaptaflex discharge pipe seal
- Cord seal
- 1-4" rubber inlet pipe seal - field-installed
- Pump support hardware
- 1-1/4" NPT cast iron check valve
- 1-1/4" PVC Ball valve

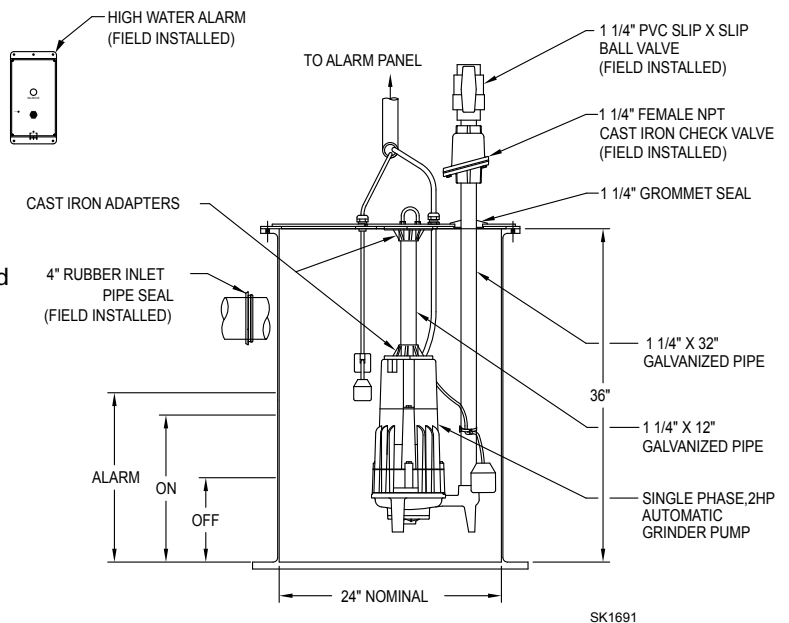
SIMPLEX SYSTEM:

- P/N 32-0011 Automatic models
 24" x 36" WGT. 107 lb (48.5 kg)

DUPLEX SYSTEM:

- P/N 32-0009 3 float
 30" x 36" WGT. 107 lb (70.3 kg)
 P/N 32-0010 4 float
 30" x 36" WGT. 107 lb (70.3 kg)

TYPICAL SIMPLEX INDOOR SYSTEM



PREPACKAGED AND JOB READY SYSTEMS - INDOOR	
	REQ.
Grinder (auto or nonauto)	P/N _____ (A)
Alarm system (optional)	P/N _____ (B)
Weight only (required if alarm is used)	P/N 10-0689 _____ (C)
Junction Box (optional)	P/N _____ (D)
Basin, cover and hardware	P/N _____ (E)

(F) OUTDOOR BASIN, COVER, AND Z-RAIL® SYSTEM ASSEMBLIES - STANDARD EQUIPMENT

- Fiberglass basin with anti-flotation ring
- 2" Schedule 80 PVC discharge piping
- 1-1/4" x 2" Z-rail® P/N 39-0134 disconnect system, epoxy coated ductile iron
- 3/4" Galvanized rail pipes
- Stainless steel lifting cable and bail
- 2" PVC ball valve
- 2" cast iron check valve
- PVC float tree
- 1-4" rubber inlet pipe seal (field inst.)
- 1-2" pipe seal (field inst.) for electrical conduit
- Solid fiberglass cover with Zoeller imprint

SIMPLEX

- 24" x 48" (61 x 122 cm) P/N 33-1660
- 24" x 60" (61 x 152 cm) P/N 33-1661
- 24" x 72" (61 x 183 cm) P/N 33-1662
- 24" x 84" (61 x 213 cm) P/N 33-1663
- 24" x 96" (61 x 244 cm) P/N 33-1664

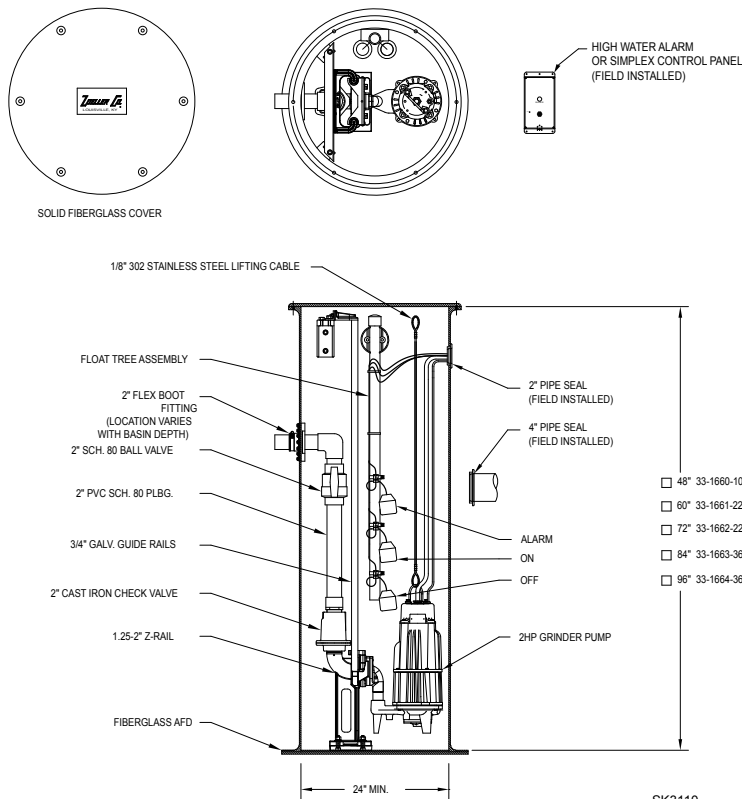
DUPLEX

- 36" x 48" (91 x 122 cm) P/N 33-1665
- 36" x 60" (91 x 152 cm) P/N 33-1666
- 36" x 72" (91 x 183 cm) P/N 33-1667
- 36" x 84" (91 x 213 cm) P/N 33-1668
- 36" x 96" (91 x 244 cm) P/N 33-1669

OPTIONS

- Stainless steel rail pipe.
 - Anti-siphon device.
 - Pre-wired conduit (consult factory).
- *Other sizes available (consult factory).

TYPICAL SIMPLEX OUTDOOR SYSTEM



FIELD-ASSEMBLED SYSTEM COMPONENTS

Z-Rail® Disconnect System for 1-1/4" pump discharges (Rail System discharge is 2" NPT male thread)

- Ductile iron constructions
 - P/N 39-0134 WGT. 43 lb (19.5 kg)
- With stainless steel upper rail support
 - P/N 39-0135 WGT. 43 lb (19.5 kg)

Stainless Steel Lifting Bail

- P/N 10-0789 Required

Intermediate Stabilizer Bracket for every 12' (3.7 m) of depth

- Ductile iron constructions
 - P/N 39-0139 WGT. 6 lb (2.7 kg)

Check Valves

- 1-1/4" Cast iron NPT female
 - P/N 30-0163 WGT. 7.5 lb (3.4 kg)
- 2" Cast iron NPT female
 - P/N 30-0152 WGT. 10 lb (4.5 kg)

Ball Valves

- 1-1/4" Slip to slip
 - P/N 30-0165 WGT. 2 lb (0.9 kg)
- 2" Slip to slip
 - P/N 30-0167 WGT. 2.5 lb (1.1 kg)

Stainless Steel Lifting Cable

- 8' (2.4 m)
 - P/N 39-0031 WGT. 1 lb (0.5 kg)
- 12' (3.7 m)
 - P/N 39-0032 WGT. 1 lb (0.5 kg)
- 16' (4.9 m)
 - P/N 39-0033 WGT. 1 lb (0.5 kg)
- 20' (6 m)
 - P/N 39-0034 WGT. 1 lb (0.5 kg)
- 24' (7.3 m)
 - P/N 39-0035 WGT. 1 lb (0.5 kg)

Piggyback Float Switch

- P/N 10-0063
 - 115 V, 13 Amp, 20' (6 m) cord
- P/N 10-0706
 - 230 V, 13 Amp, 20' (6 m) cord
- P/N 10-0559
 - 230 V, 15 Amp, 20' (6 m) cord

Pump Control Switch

- P/N 10-0748
 - 115/200/230 V, 20 Amp, 25' (7.6 m) cord

PREPACKAGED AND JOB READY SYSTEMS - OUTDOOR

	REQ.
Grinder (auto or nonauto)	P/N _____ (A)
Control panel/alarm system w/ 3 floats	P/N _____ (B)
Float switch(es) (if 4th required)	P/N _____ (C)
Junction Box (optional)	P/N _____ (D)
Basin, cover and rail system	P/N _____ (F)