

Product information presented here reflects conditions at time of publication. Consult factory regarding discrepancies or inconsistencies.

TECHNICAL DATA SHEET

HIGH HEAD WASTE-MATE SERIES

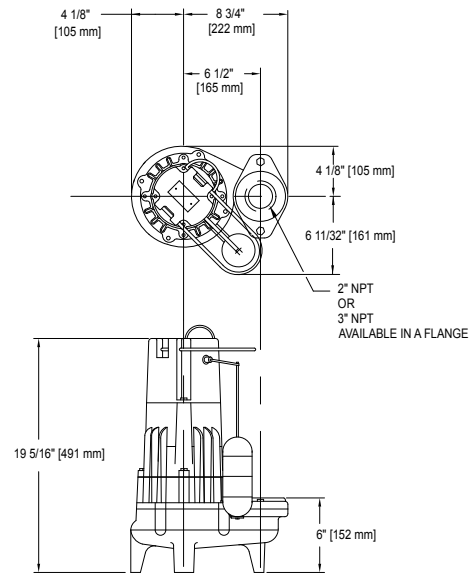
Models 292/4292, 293/4293, 294/4294, 295/4295

Submersible Sewage Pumps

PRODUCT SPECIFICATIONS

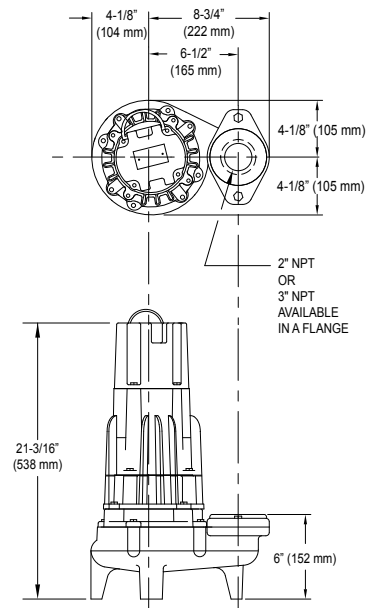
MOTOR	Horse Power	1/2 (292/4292), 1 (293/4293), 1-1/2 (294/4294), 2 (295/4295)
	Voltage	115 - 575
	Phase	1 or 3 Ph
	Hertz	60 Hz
	RPM	3450
	Type	Permanent split capacitor or 3 Ph
	Insulation	Class B:292-293 and 4292-4293, Class F:294-295 and 4294-4295
	Amps	2.4 - 20.5
PUMP	Operation	Automatic or nonautomatic
	Auto On/Off Points	15-3/4" (400 mm) / 5-1/4" (133 mm)
	Discharge Size	2" or 3" NPT female, flanged vertical
	Solids Handling	2" (50 mm) spherical solids
	Cord Length	20' (6 m) standard
	Cord Type	1 Ph-UL listed 3-wire neoprene cord and plug 3 Ph-4-wire with no plug
	Max. Head	75' (22.9 m)
	Max. Flow Rate	214 GPM (810 LPM)
	Max. Operating Temp.	130° F (54° C)
	Cooling	Oil filled
	Motor Protection	Auto reset thermal overload (1 Ph)
	MATERIALS	Upper Bearing
Lower Bearing		Ball bearing
Mechanical Seals		Carbon and ceramic
Impeller Type		Non-clogging vortex
Impeller		Cast iron, optional bronze
Hardware		Stainless steel
Gasket		Neoprene square ring and gasket

SINGLE SEAL



SK863

DOUBLE SEAL



SK1415

*Single seal models are built with a carbon steel motor shaft, and double seal models are built with a stainless steel motor shaft.

All Class 30 cast iron construction.

NOTE: The sizing of effluent systems normally requires variable level float(s) controls and properly sized basins to achieve required pumping cycles or dosing timers with nonautomatic pumps.

NOTE: See model comparison chart for specific details.

CAUTION Model 293 should not be subjected to less than 15' (5 m) TDH.



C US
Tested to Standard UL778 and
Certified to CSA
Standard C22.2 No. 108



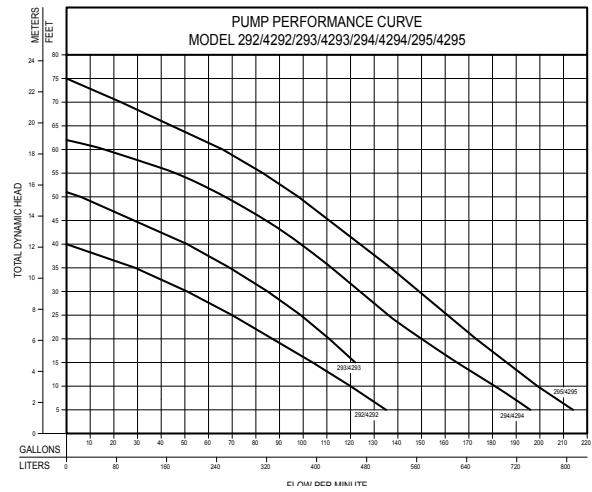
TOTAL DYNAMIC HEAD FLOW PER MINUTE

MODEL		292/4292		293/4293		294/4294		295/4295	
Feet	Meters	Gal.	Liters	Gal.	Liters	Gal.	Liters	Gal.	Liters
5	1.5	135	511	--	--	196	742	214	810
10	3.0	120	454	--	--	181	685	199	753
15	4.6	104	394	122	462	165	625	186	704
20	6.1	87	329	111	420	150	568	173	655
25	7.6	70	265	99	375	136	515	161	609
30	9.1	51	193	85	322	124	469	149	564
35	10.7	29	110	69	261	112	424	137	519
40	12.2	--	--	51	193	99	375	124	469
50	15.2	--	--	6	23	67	254	98	371
55	16.8	--	--	--	--	46	174	83	314
60	18.3	--	--	--	--	16	61	66	250
70	21.3	--	--	--	--	--	--	23	87
Shut-off Head:		40 ft. (12.2 m)		51 ft. (15.5 m)		62 ft. (18.9 m)		75 ft. (22.9 m)	

009919



Model 293 should not be subjected to less than 15' (5 m) TDH.



Model	MODEL COMPARISON											CERTIFICATIONS	
	Seal	Mode	Volts	Ph	Amps	HP	Hz	Lbs	Kg	Simplex	Duplex	cCSAus	UL
M292	Single	Auto	115	1	15.0	1/2	60	86	39	1	---	Y	Y ⁽¹⁾
N292/N4292	Single/Double	Non	115	1	15.0	1/2	60	85/93	38/42	2 or 3	2 or 3	Y	Y ⁽¹⁾
BN292	Single	Auto	115	1	15.0	1/2	60	87	39	---	---	Y	N
D292	Single	Auto	230	1	7.5	1/2	60	88	39	1	---	Y	Y
E292	Single	Non	230	1	7.5	1/2	60	88	39	2 or 3	3	Y	Y
* H292	Single	Auto	200	1	8.8	1/2	60	88	39	1	---	Y	N
* I292/I4292	Single/Double	Non	200	1	8.8	1/2	60	88	39	2 or 3	3	Y	N
* F292/F4292	Single/Double	Non	230	3	5.2	1/2	60	88	39	3	3	Y	Y
* J292/J4292	Single/Double	Non	200	3	6.4	1/2	60	88/95	39/43	3	3	Y	Y
* G292/G4292	Single/Double	Non	230	3	2.9	1/2	60	88/95	39/43	3	3	Y	Y
* BA292/BA4292	Single/Double	Non	575	3	2.4	1/2	60	88/95	39/43	3	3	Y	N
D293	Single	Auto	230	1	10.2	1	60	86	39	1	---	Y	Y
E293/E4293	Single/Double	Non	230	1	10.2	1	60	86/94	39/42	2 or 3	3	Y	Y
* H293	Single	Auto	200	1	12.0	1	60	90	40	1	---	Y	N
* I293/I4293	Single/Double	Non	200	1	12.0	1	60	89/96	40/43	2 or 3	3	Y	N
* F293/F4293	Single/Double	Non	230	3	7.6	1	60	89/96	40/43	3	3	Y	Y
* J293/J4293	Single/Double	Non	200	3	8.2	1	60	89/96	40/43	3	3	Y	Y
* G293/G4293	Single/Double	Non	460	3	4.0	1	60	89/96	40/43	3	3	Y	Y
* BA293/BA4293	Single/Double	Non	575	3	3.3	1	60	89	40	3	3	Y	Y
BE293	Single	Auto	230	1	10.2	1	60	88	40	---	---	Y	Y
D294	Single	Auto	230	1	13.7	1-1/2	60	87	39	1	---	Y	Y ⁽¹⁾
E294/E4294	Single/Double	Non	230	1	13.7	1-1/2	60	86/94	39/42	1	---	Y	Y ⁽¹⁾
* H294	Single	Auto	200	1	17.8	1-1/2	60	90	40	1	---	Y	N
* I294/I4294	Single/Double	Non	200	1	17.8	1-1/2	60	89/96	40/43	2 or 3	3	Y	N
* F294/F4294	Single/Double	Non	230	3	9.5	1-1/2	60	89/96	40/43	3	3	Y	Y
* J294/J4294	Single/Double	Non	200	3	10.8	1-1/2	60	89/96	40/43	3	3	Y	Y
* G294/G4294	Single/Double	Non	460	3	4.8	1-1/2	60	89/96	40/43	3	3	Y	Y
* BA294/BA4294	Single/Double	Non	575	3	3.8	1-1/2	60	89	40	3	3	Y	N
BE294	Single	Auto	230	1	13.7	1-1/2	60	88	40	---	---	Y	N
D295	Single	Auto	230	1	17.1	2	60	89	40	1	---	Y ⁽²⁾	Y ⁽¹⁾
E295/E4295	Single/Double	Non	230	1	17.1	2	60	88/97	39/43	2 or 3	3	Y ⁽²⁾	Y ⁽¹⁾
WD295	Single	Auto	230	1	17.1	2	60	88	39	2 or 3	3	Y	N
* H295	Single	Auto	200	1	20.5	2	60	92	41	1	---	Y	N
* I295/I4295	Single/Double	Non	200	1	20.5	2	60	91/99	41/44	2 or 3	3	Y	N
* F295/F4295	Single/Double	Non	230	3	12.2	2	60	91/99	41/44	3	3	Y	Y
* J295/J4295	Single/Double	Non	200	3	14.3	2	60	91/99	41/44	3	3	Y	Y
* G295/G4295	Single/Double	Non	460	3	6.1	2	60	91/99	41/44	3	3	Y	Y
* BA295/BA4295	Single/Double	Non	575	3	4.9	2	60	91	41	3	3	Y	N

Additional cord lengths are available in 25' (8 m), 35' (11 m) and 50' (15 m). * no molded plug. (1) UL Listed unit available with 20 Amp plug. (2) CSA Approval with 20 Amp plug.

SELECTION GUIDE

1. Integral float operated mechanical switch, no external control required.
2. For automatic use single piggyback variable level float switch or double piggyback variable level float switch. Refer to FM0477.
3. See FM1228 for correct model of simplex control panel or see FM0712 for duplex control panel.