

SLIDE DIMMER CONTROLS

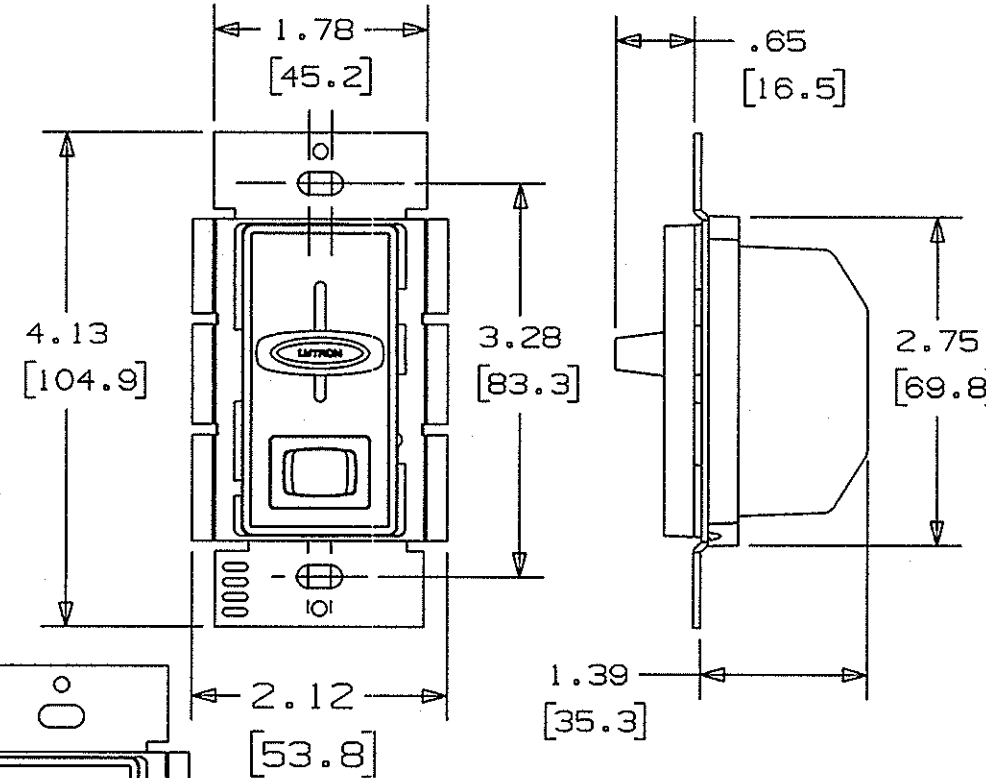
M-10549

4

- FEATURES:
1. ELECTROSTATIC DISCHARGE PROTECTION
 2. MECHANICAL AIR-GAP SWITCH TO DISCONNECT LOAD POWER
 3. DERATING REQUIRED IF GANGED
 4. UL LISTED & CSA CERTIFIED
 5. INCHES [MM]
 6. 6" LONG, #14 AWG LEADS PROVIDED FOR ALL 1000 WATT DIMMERS. ALL OTHERS ARE #18 AWG

SINGLE POLE CATALOG NO.	THREE-WAY CATALOG NO.	COLOR	RATING
RS10PAL	RS103PAL	ALMOND	1000W 120V AC
RS10PI	RS103PI	IVORY	
RS10PLA	RS103PLA	LIGHT ALMOND	
RS10PW	RS103PW	WHITE	
RS600PAL	RS603PAL	ALMOND	600W 120V AC
RS600PI	RS603PI	IVORY	
RS600PLA	RS603PLA	LIGHT ALMOND	
RS600I	-----	IVORY	
RS600W	-----	WHITE	
RS600LA	-----	LIGHT ALMOND	
-----	RS613PI	IVORY	600VA (450W) 120V AC
-----	RS613PW	WHITE	
-----	RS613PLA	LIGHT ALMOND	
RS600PW	RS603PW	WHITE	
RSLV600PAL	RSLV603PAL	ALMOND	
RSLV600PI	RSLV603PI	IVORY	
RSLV600PLA	RSLV603PLA	LIGHT ALMOND	300W 120V AC
RSLV600PW	RSLV603PW	WHITE	
*RSELV300PAL	*RSELV303PAL	ALMOND	
*RSELV300PI	*RSELV303PI	IVORY	
*RSELV300PLA	*RSELV303PLA	LIGHT ALMOND	
*RSELV300PW	*RSELV303PW	WHITE	

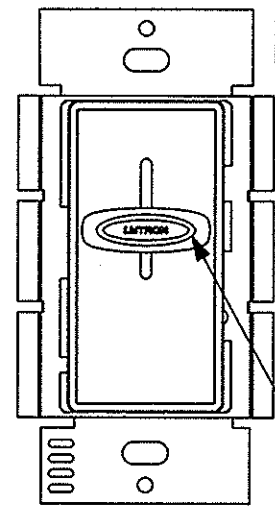
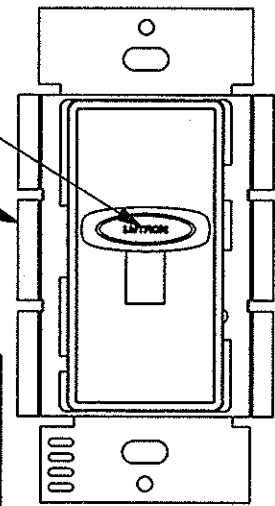
WATTAGE INDICATES
MAXIMUM LAMP LOAD



* REQUIRES NEUTRAL WIRE

PUSH ON/OFF

ALL MODELS HAVE
SAME OVERALL
DIMENSIONS



MODELS
RS613PI
RS613PW
RS613PLA

MODELS
RS600I
RS600W
RS600LA

SLIDE KNOB
ON/OFF

SLIDE FAN SPEED CONTROLS

SINGLE POLE CATALOG NO.	COLOR	RATING
RSFSQFAL	ALMOND	1.5A 120V AC
RSFSQFI	IVORY	
RSFSQFLA	LIGHT ALMOND	
RSFSQFW	WHITE	
+RS2LFSQAL	ALMOND	300W 1.5A 120V AC
+RS2LFSQI	IVORY	
+RS2LFSQLA	LIGHT ALMOND	
+RS2LFSQW	WHITE	

+ FAN/LIGHT CONTROLS REQUIRE TWO SWITCHED
HOT WIRES BETWEEN CONTROL AND THE FAN/LIGHT

DERATING CHART

SINGLE GANG	2-GANG	3-GANG
600W	500W	300W
1000W	800W	650W
300W	250W	200W
600VA (450W)	500VA (400W)	400VA (300W)
1.5A	1.5A	1.5A
1.5A/300W	1.5A/300W	1.5A/300W

LIST OF PARTS

DESCRIPTION	MATERIAL	FINISH
SLIDER	PLASTIC	SEE TABLE
BASE	PLASTIC	BLACK
BUTTON	PLASTIC	SEE TABLE
HEAT SINK	ALUMINUM	

SYM	REVISIONS	APP	DATE
4	ADDED NOTE 6; REMOVED "6" LONG #14 AWG LEADS..." CALL-OUT; IN TABLE: "600W 120V AC" WAS "600W 1230V AC" PER DCN 1768B FCM	DJP	6/3/11
3	SWAPPED MODEL #'S BETWEEN 2 VIEWS PER DCN 17585 MJZ	TLS	4/1/11
2	ADDED CAT.NO. RS600PI, RS600PW & RS600PLA. RS613PI, RS613PW & RS613PLA. DELETED MODEL RF51. REVISED WIRE NOTE. ADDED 5A DERATING INFORMATION PER DCN #16815 MJZ	TLS	7/13/10
1	RELEASED PER DCN 13766	RDK	2/15/07

THE DESIGN AND DIMENSIONS OF THE
PRODUCT SHOWN ON THIS DRAWING ARE
SUBJECT TO CHANGE WITHOUT NOTICE

TITLE
SLIDE DIMMERS
& FAN CONTROLS

TOLERANCES UNLESS
OTHERWISE SPECIFIED
FRACTIONS ± 1/64
DECIMALS ± .005
ANGLES ± 2°

WIRING DEVICE-KELLEMS
HUBBELL INCORPORATED
BRIDGEPORT, CT
DR. BY AMZ APP. BY RDK
TR. BY SCALE NONE
CHK'D BY RDK DATE 12/30/06