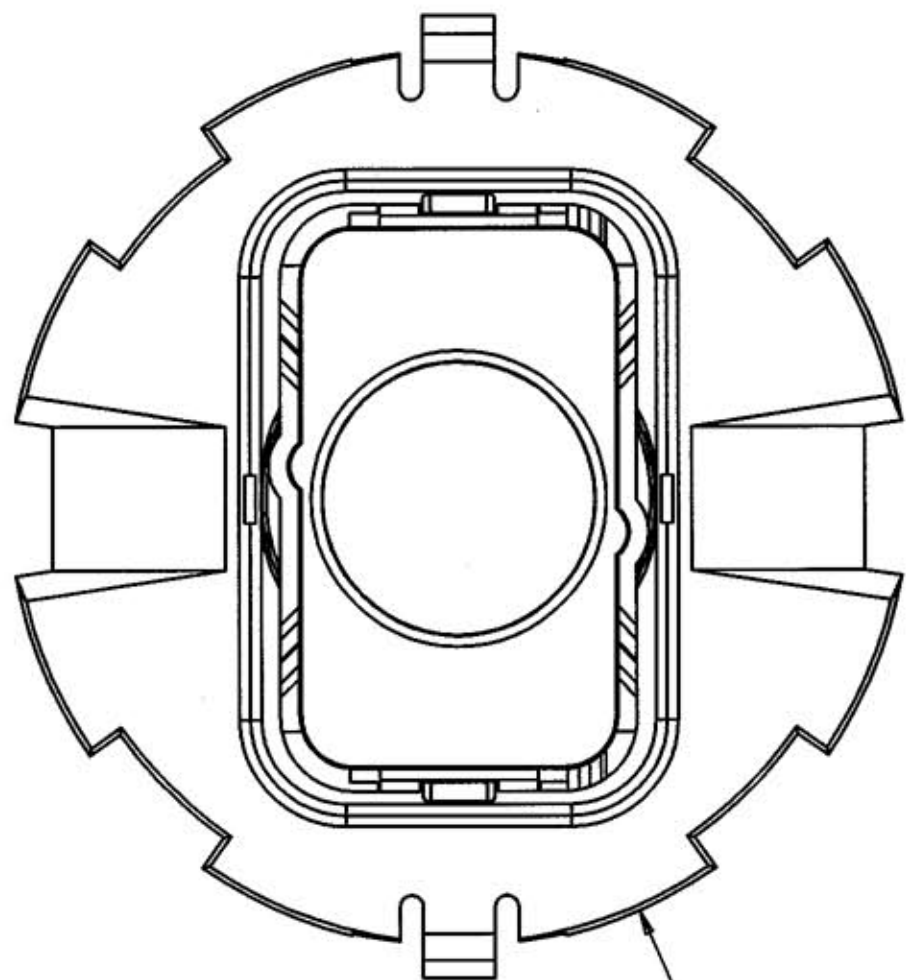
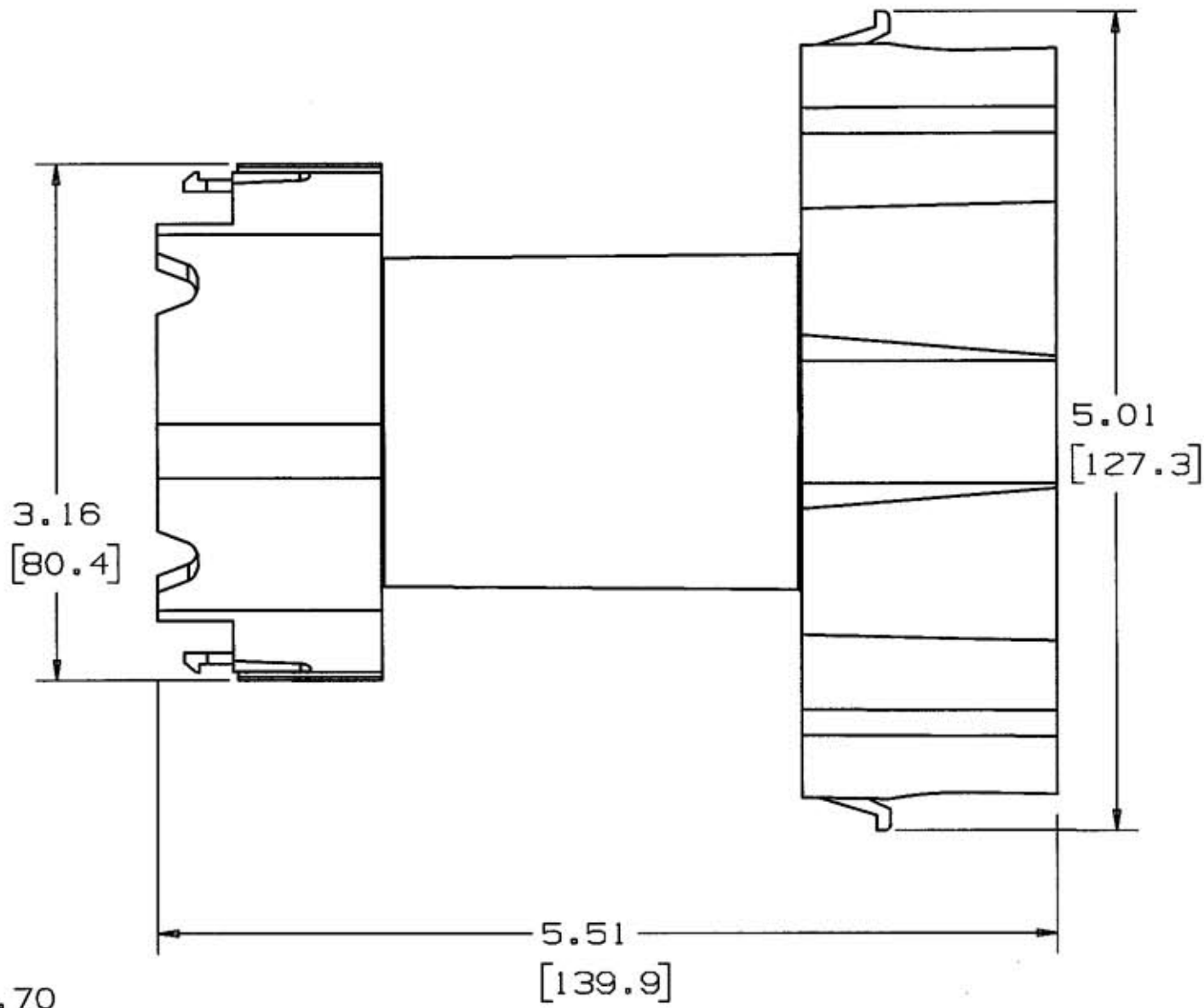


M-8834 1



Ø 4.70
[119.4]



LIST OF PARTS

DESCRIPTION	MATERIAL	FINISH
INSULATOR	PVC	GRAY
ENCLOSURE, WIRING	PVC	GRAY

DIMENSION SHEET FOR CAT. NO.

PEBT1A

REPAIRABLE

NON-REPAIRABLE

B

M-8834

1

1	INITIAL RELEASE DCN. 9494	SM	5-29-02
SYM	REVISIONS	APP	DATE

THE DESIGN AND DIMENSIONS OF THE PRODUCT SHOWN ON THIS DRAWING ARE SUBJECT TO CHANGE WITHOUT NOTICE

TITLE
LOW VOLTAGE DIVIDER FOR PLASTIC FLOOR BOX

TOLERANCES UNLESS OTHERWISE SPECIFIED
 FRACTIONS ±1/64
 DECIMALS ±.005
 ANGLES ±2°

WIRING DEVICE-KELLEMS
 HUBBELL INCORPORATED
 BRIDGEPORT, CT
 DR. BY TJV APP. BY SM
 TR. BY SCALE 1:1
 CHK'D BY SM DATE 5-15-02