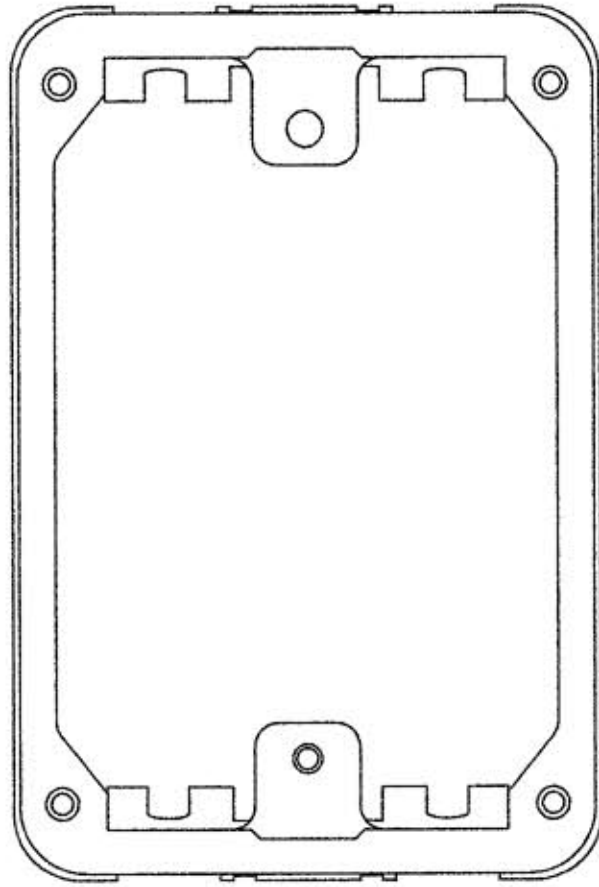
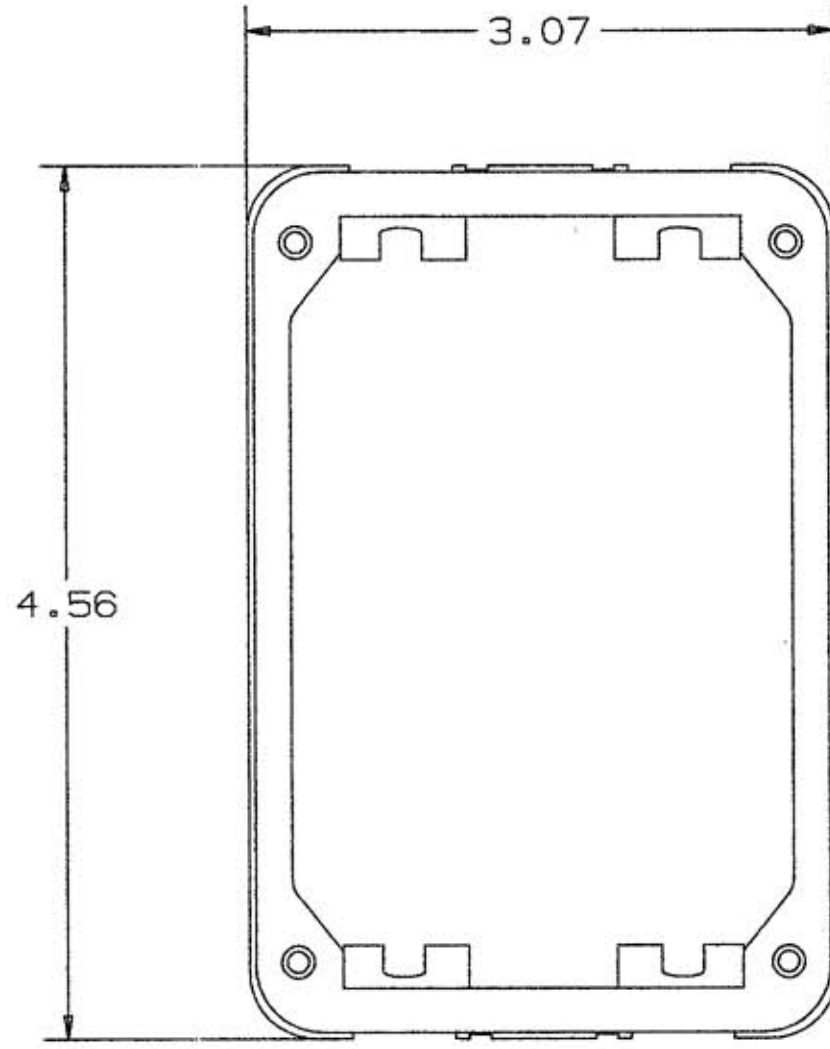


M-7770



PFBRMC



PFBRAC



LIST OF PARTS		
DESCRIPTION	MATERIAL	FINISH
MOUNTING COLLAR	PVC	
SCREW, PAN HEAD	STEEL	ZINC PLATE
CLIP RETAINER	STEEL	ZINC PLATE

DIMENSION SHEET FOR CMT. NO.  SEE FIELD OF DRAWING REPAIRABLE  NON-REPAIRABLE

1	INITIAL RELEASE CN. 5616	CP	11-20-97
SYM	REVISIONS	APP	DATE

THE DESIGN AND DIMENSIONS OF THE PRODUCT SHOWN ON THIS DRAWING ARE SUBJECT TO CHANGE WITHOUT NOTICE

TITLE  
MOUNTING COLLAR

TOLERANCES UNLESS OTHERWISE SPECIFIED FRACTIONS ± 1/64 DECIMALS ± .005 ANGLES ± 2°	WIRING DEVICE DIVISION HUBBELL, INCORPORATED BRIDGEPORT, CT	
	DR. BY T.J.V.	APP. BY
	TR. BY	SCALE 1:1
	CHK'D BY	DATE 5-6-97

B M-7770