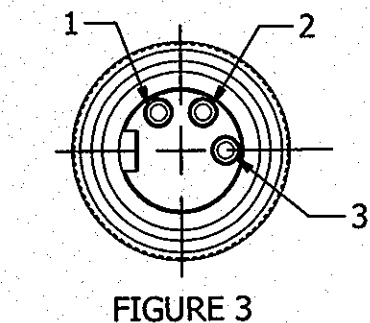
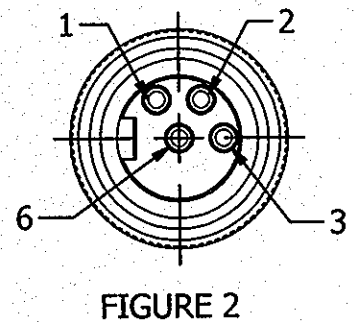
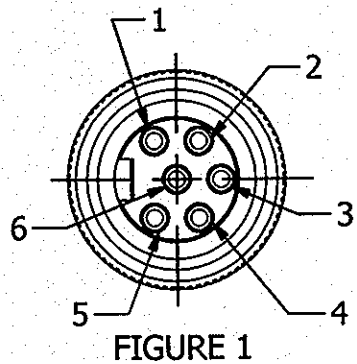


M-9240

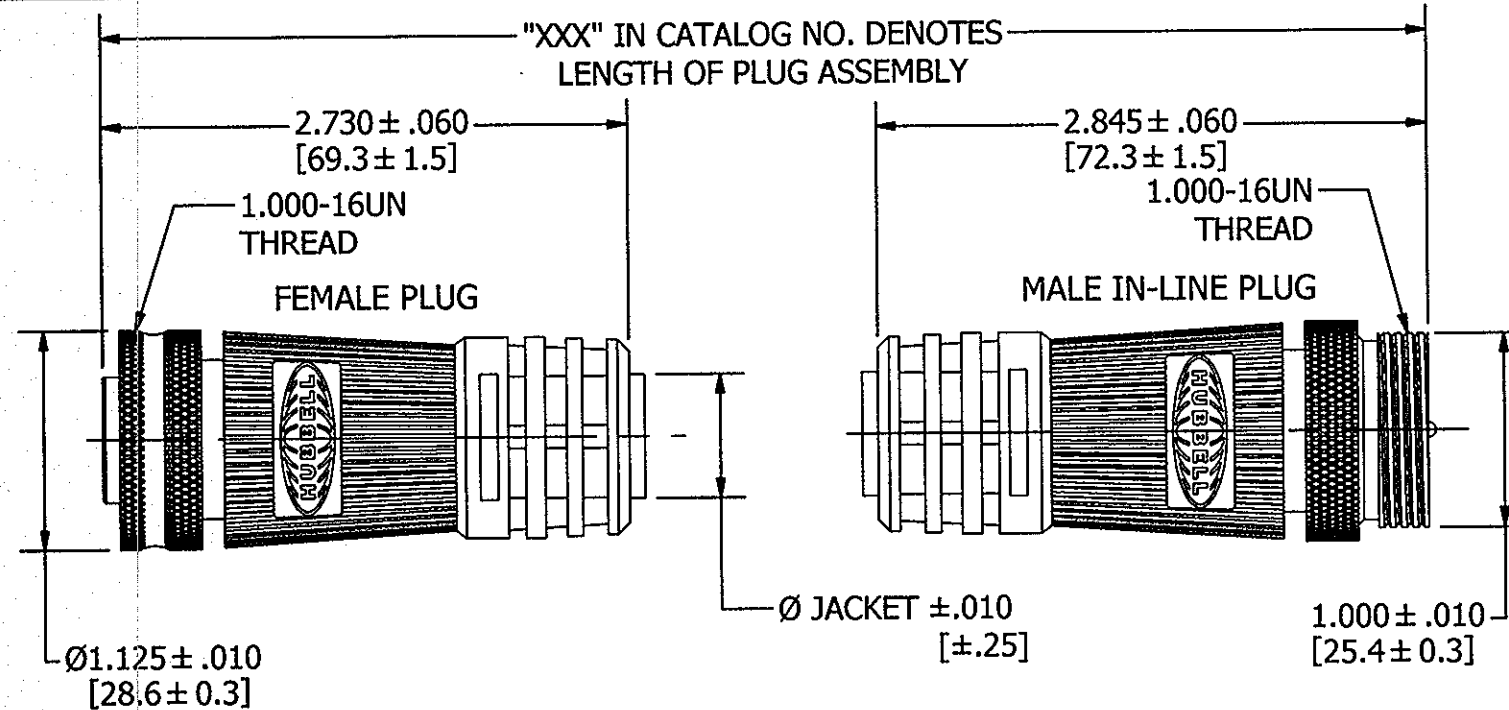
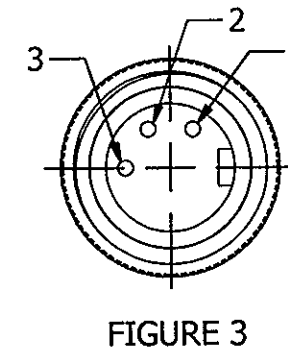
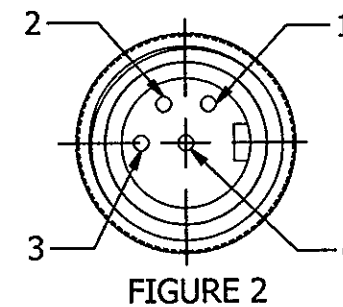
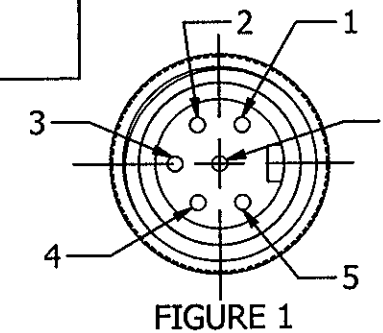
8

CATALOG NO. (XXX INDICATES LENGTH)	FIGURE NO.	WIRE NO.	WIRE COLOR	NUMBER OF POLES	CABLE JACKET DIA.
PH2306PBXXX	1	1	BLACK	6	.770
		2	WHITE		
		3	GREEN/YELLOW		
		4	BLACK		
		5	BLACK		
		6	GREEN/YELLOW		
PH2304PBXXX	2	1	BLACK	4	.645
		2	WHITE		
		3	GREEN/YELLOW		
		6	GREEN/YELLOW		
PH2303PBXXX	3	1	BLACK	3	.595
PF2303PBXXX (FEMALE PLUG END ONLY)		2	WHITE		
PM2303PBXXX (MALE PLUG END ONLY)		3	GREEN/YELLOW		
PH2304PAXXX	2	1	BLACK	4	.645
		2	BLACK		
		3	GREEN/YELLOW		
		6	GREEN/YELLOW		

FEMALE PLUG END



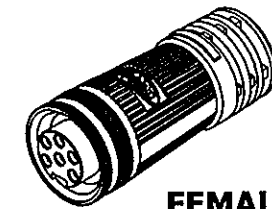
MALE PLUG END



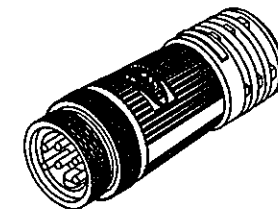
NOTES: UNLESS OTHERWISE SPECIFIED:

- UL LISTED (PRODUCT CATEGORY CYJV). NOT FOR CURRENT INTERRUPT, RATING 20A/600V. CABLE - LISTED (QPOR) POWER AND CONTROL TRAY CABLE, 600V TYPE TC-ER.
- DIMENSIONS ARE IN INCHES [mm].
- THESE DEVICES SHALL CONFORM TO LINKOSITY SPECIFICATIONS - 0015, -0177
- LINKOSITY™ IS A TRADEMARK OF LOCKHEED MARTIN.

LIST OF PARTS		
DESCRIPTION	MATERIAL	FINISH
COUPLING NUT	BRASS	NICKEL PLATED
INSULATOR, SOCKET	NYLON	WHITE
O RING	RUBBER	BLACK
O RING	SILICONE	GREEN
SOCKET CONTACT	COPPER ALLOY	GOLD OVER PD/NI
OVERMOLD	POLYURETHANE	GRAY
CABLE #12, #10	PVC	GRAY
PIN CONTACT	BRASS	GOLD OVER PD/NI
INSULATOR, PIN	NYLON	WHITE



FEMALE PLUG



MALE IN-LINE PLUG

CATALOG NO. PH2306PBXXX
NOT SHOWN TO SCALE

8	REDRAWN WITH EMBEDDED CAD MODEL WITH NO CHANGES TO PART GEOMETRY. PER DCN 21895 SPN	DJP	2/5/16
REV	DESCRIPTION	APP	DATE

THE DESIGN AND DIMENSIONS OF THE PRODUCT SHOWN ON THIS DRAWING ARE SUBJECT TO CHANGE WITHOUT NOTICE

TITLE
20A STRAIGHT EXTENSION CABLE, LINKOSITY™ SNIG 12/5 & 10/1 AWG TC-ER CABLE

TOLERANCES UNLESS OTHERWISE SPECIFIED		WIRING DEVICE-KELLEMS HUBBELL INCORPORATED SHELTON, CT	
.XX = ± .01	.XXX = ± .005	DR. BY MJM	APP. BY RDK
ANGLES = ± 2°		TR. BY	SCALE 1:1
		CHK. BY RDK	DATE 12/11/03

DIMENSION SHEET FOR CAT. NO. SEE TABLE

REPAIRABLE NON-REPAIRABLE

B

M-9240

8