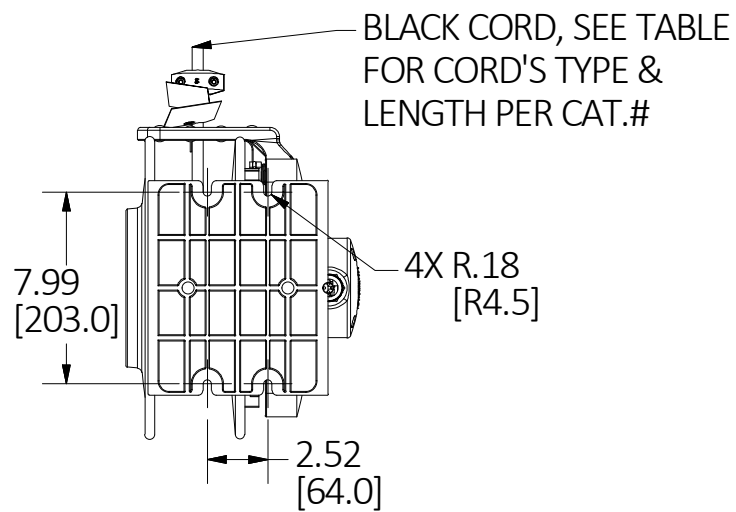
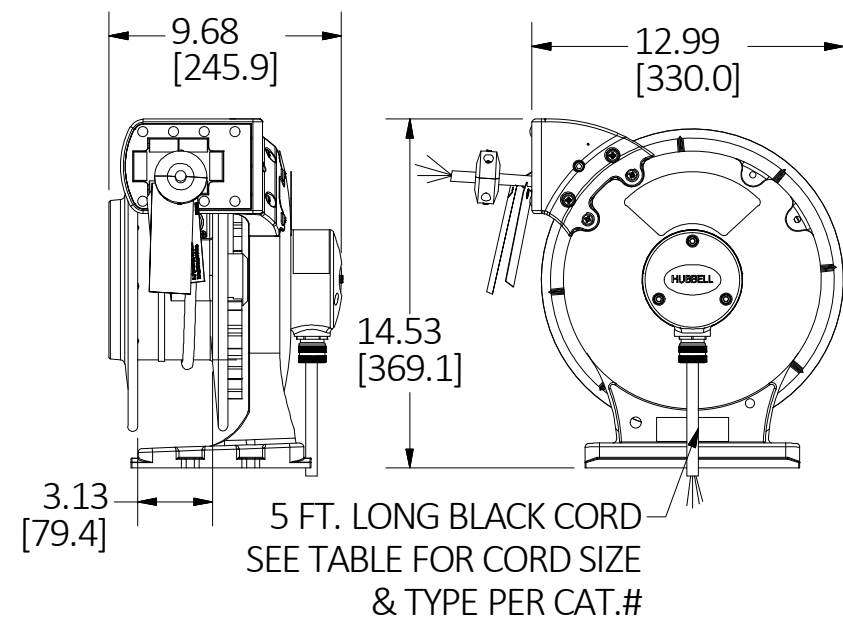


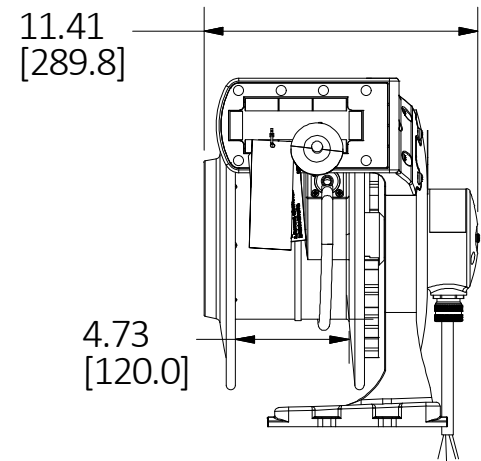
M-13840

1

NOTES:
1. DIMENSIONS ARE IN INCHES [mm]
EXCEPT CORD LENGTH IN FEET.



3.0" REEL



4.75" REEL IS THE SAME AS 3" REEL EXCEPT THE WIDTH AS SHOWN, SEE 3" REEL FOR OTHER DETAIL.

4.75" REEL

CAGE CODE 74545

CATALOG	DESCRIPTION	RATING	CORD LENGTH	CORD TYPE	REEL SIZE	REEL COLOR	APPROX. WEIGHT
HBLI45163	IND REEL, UL TYPE 1, 45' SJO, 16/3, 10A MAX. 250V	10A 250V	45 FT.	16/3, SJO	3"	WHITE	22.9 LB [10.4KG]
HBLI35163	IND REEL, UL TYPE 1, 35' SJO, 16/3, 10A MAX. 250V	10A 250V	35 FT.	16/3, SJO	3"	WHITE	22.0 LB [10.0KG]
HBLI25163	IND REEL, UL TYPE 1, 25' SJO, 16/3, 10A MAX. 250V	10A 250V	25 FT.	16/3, SJO	3"	WHITE	21.2 LB [9.6 KG]
HBLI45164	IND REEL, UL TYPE 1, 45' SJO, 16/4, 10A MAX. 250V	10A 250V	45 FT.	16/4, SJO	3"	WHITE	23.6 LB [10.7 KG]
HBLI35164	IND REEL, UL TYPE 1, 35' SJO, 16/4, 10A MAX. 250V	10A 250V	35 FT.	16/4, SJO	3"	WHITE	22.7 LB [10.3 KG]
HBLI25164	IND REEL, UL TYPE 1, 25' SJO, 16/4, 10A MAX. 250V	10A 250V	25 FT.	16/4, SJO	3"	WHITE	21.8 LB [9.9 KG]
HBLI45143	IND REEL, UL TYPE 1, 45' SJO, 14/3, 15A MAX. 250V	15A 250V	45 FT.	14/3, SJO	3"	WHITE	24.0 LB [10.9 KG]
HBLI35143	IND REEL, UL TYPE 1, 35' SJO, 14/3, 15A MAX. 250V	15A 250V	35 FT.	14/3, SJO	3"	WHITE	22.9 LB [10.4 KG]
HBLI25143	IND REEL, UL TYPE 1, 25' SJO, 14/3, 15A MAX. 250V	15A 250V	25 FT.	14/3, SJO	3"	WHITE	21.8 LB [9.9 KG]
HBLI45144	IND REEL, UL TYPE 1, 45' SJO, 14/4, 15A MAX. 250V	15A 250V	45 FT.	14/4, SJO	3"	WHITE	25.4 LB [11.5 KG]
HBLI35144	IND REEL, UL TYPE 1, 35' SJO, 14/4, 15A MAX. 250V	15A 250V	35 FT.	14/4, SJO	3"	WHITE	24.0 LB [10.9 KG]
HBLI25144	IND REEL, UL TYPE 1, 25' SJO, 14/4, 15A MAX. 250V	15A 250V	25 FT.	14/4, SJO	3"	WHITE	22.7 LB [10.3 KG]
HBLI45123	IND REEL, UL TYPE 1, 45' SJO, 12/3, 20A MAX. 250V	20A 250V	45 FT.	12/3, SJO	3"	WHITE	26.5 LB [12.0 KG]
HBLI35123	IND REEL, UL TYPE 1, 35' SJO, 12/3, 20A MAX. 250V	20A 250V	35 FT.	12/3, SJO	3"	WHITE	24.9 LB [11.3 KG]
HBLI25123	IND REEL, UL TYPE 1, 25' SJO, 12/3, 20A MAX. 250V	20A 250V	25 FT.	12/3, SJO	3"	WHITE	23.4 LB [10.6 KG]
HBLI45124	IND REEL, UL TYPE 1, 45' SJO, 12/4, 20A MAX. 250V	20A 250V	45 FT.	12/4, SJO	4.75"	WHITE	29.8 LB [13.5 KG]
HBLI35124	IND REEL, UL TYPE 1, 35' SJO, 12/4, 20A MAX. 250V	20A 250V	35 FT.	12/4, SJO	3"	WHITE	26.5 LB [12.0 KG]
HBLI25124	IND REEL, UL TYPE 1, 25' SJO, 12/4, 20A MAX. 250V	20A 250V	25 FT.	12/4, SJO	3"	WHITE	24.5 LB [11.1 KG]
HBLI45103	IND REEL, UL TYPE 1, 45' SJO, 10/3, 30A MAX. 250V	30A 250V	45 FT.	10/3, SJO	4.75"	WHITE	32.4 LB [14.7 KG]
HBLI35103	IND REEL, UL TYPE 1, 35' SJO, 10/3, 30A MAX. 250V	30A 250V	35 FT.	10/3, SJO	4.75"	WHITE	30.0 LB [13.6 KG]
HBLI25103	IND REEL, UL TYPE 1, 25' SJO, 10/3, 30A MAX. 250V	30A 250V	25 FT.	10/3, SJO	3"	WHITE	26.0 LB [11.8 KG]
HBLI40104	IND REEL, UL TYPE 1, 40' SJO, 10/4, 30A MAX. 250V	30A 250V	40 FT.	10/4, SJO	4.75"	WHITE	33.7 LB [15.3 KG]
HBLI35104	IND REEL, UL TYPE 1, 35' SJO, 10/4, 30A MAX. 250V	30A 250V	35 FT.	10/4, SJO	4.75"	WHITE	32.2 LB [14.6 KG]
HBLI25104	IND REEL, UL TYPE 1, 25' SJO, 10/4, 30A MAX. 250V	30A 250V	25 FT.	10/4, SJO	4.75"	WHITE	29.1 LB [13.2 KG]
HBLI45163Y	YL, IND REEL, UL TYPE 1, 45' SJO, 16/3, 10A MAX. 250V	10A 250V	45 FT.	16/3, SJO	3"	YELLOW	22.9 LB [10.4KG]
HBLI35163Y	YL, IND REEL, UL TYPE 1, 35' SJO, 16/3, 10A MAX. 250V	10A 250V	35 FT.	16/3, SJO	3"	YELLOW	22.0 LB [10.0KG]
HBLI25163Y	YL, IND REEL, UL TYPE 1, 25' SJO, 16/3, 10A MAX. 250V	10A 250V	25 FT.	16/3, SJO	3"	YELLOW	21.2 LB [9.6 KG]
HBLI45164Y	YL, IND REEL, UL TYPE 1, 45' SJO, 16/4, 10A MAX. 250V	10A 250V	45 FT.	16/4, SJO	3"	YELLOW	23.6 LB [10.7 KG]
HBLI35164Y	YL, IND REEL, UL TYPE 1, 35' SJO, 16/4, 10A MAX. 250V	10A 250V	35 FT.	16/4, SJO	3"	YELLOW	22.7 LB [10.3 KG]
HBLI25164Y	YL, IND REEL, UL TYPE 1, 25' SJO, 16/4, 10A MAX. 250V	10A 250V	25 FT.	16/4, SJO	3"	YELLOW	21.8 LB [9.9 KG]
HBLI45143Y	YL, IND REEL, UL TYPE 1, 45' SJO, 14/3, 15A MAX. 250V	15A 250V	45 FT.	14/3, SJO	3"	YELLOW	24.0 LB [10.9 KG]
HBLI35143Y	YL, IND REEL, UL TYPE 1, 35' SJO, 14/3, 15A MAX. 250V	15A 250V	35 FT.	14/3, SJO	3"	YELLOW	22.9 LB [10.4 KG]
HBLI25143Y	YL, IND REEL, UL TYPE 1, 25' SJO, 14/3, 15A MAX. 250V	15A 250V	25 FT.	14/3, SJO	3"	YELLOW	21.8 LB [9.9 KG]
HBLI45144Y	YL, IND REEL, UL TYPE 1, 45' SJO, 14/4, 15A MAX. 250V	15A 250V	45 FT.	14/4, SJO	3"	YELLOW	25.4 LB [11.5 KG]
HBLI35144Y	YL, IND REEL, UL TYPE 1, 35' SJO, 14/4, 15A MAX. 250V	15A 250V	35 FT.	14/4, SJO	3"	YELLOW	24.0 LB [10.9 KG]
HBLI25144Y	YL, IND REEL, UL TYPE 1, 25' SJO, 14/4, 15A MAX. 250V	15A 250V	25 FT.	14/4, SJO	3"	YELLOW	22.7 LB [10.3 KG]
HBLI45123Y	YL, IND REEL, UL TYPE 1, 45' SJO, 12/3, 20A MAX. 250V	20A 250V	45 FT.	12/3, SJO	3"	YELLOW	26.5 LB [12.0 KG]
HBLI35123Y	YL, IND REEL, UL TYPE 1, 35' SJO, 12/3, 20A MAX. 250V	20A 250V	35 FT.	12/3, SJO	3"	YELLOW	24.9 LB [11.3 KG]
HBLI25123Y	YL, IND REEL, UL TYPE 1, 25' SJO, 12/3, 20A MAX. 250V	20A 250V	25 FT.	12/3, SJO	3"	YELLOW	23.4 LB [10.6 KG]
HBLI45124Y	YL, IND REEL, UL TYPE 1, 45' SJO, 12/4, 20A MAX. 250V	20A 250V	45 FT.	12/4, SJO	4.75"	YELLOW	29.8 LB [13.5 KG]
HBLI35124Y	YL, IND REEL, UL TYPE 1, 35' SJO, 12/4, 20A MAX. 250V	20A 250V	35 FT.	12/4, SJO	3"	YELLOW	26.5 LB [12.0 KG]
HBLI25124Y	YL, IND REEL, UL TYPE 1, 25' SJO, 12/4, 20A MAX. 250V	20A 250V	25 FT.	12/4, SJO	3"	YELLOW	24.5 LB [11.1 KG]
HBLI45103Y	YL, IND REEL, UL TYPE 1, 45' SJO, 10/3, 30A MAX. 250V	30A 250V	45 FT.	10/3, SJO	4.75"	YELLOW	32.4 LB [14.7 KG]
HBLI35103Y	YL, IND REEL, UL TYPE 1, 35' SJO, 10/3, 30A MAX. 250V	30A 250V	35 FT.	10/3, SJO	4.75"	YELLOW	30.0 LB [13.6 KG]
HBLI25103Y	YL, IND REEL, UL TYPE 1, 25' SJO, 10/3, 30A MAX. 250V	30A 250V	25 FT.	10/3, SJO	3"	YELLOW	26.0 LB [11.8 KG]
HBLI40104Y	YL, IND REEL, UL TYPE 1, 40' SJO, 10/4, 30A MAX. 250V	30A 250V	40 FT.	10/4, SJO	4.75"	YELLOW	33.7 LB [15.3 KG]
HBLI35104Y	YL, IND REEL, UL TYPE 1, 35' SJO, 10/4, 30A MAX. 250V	30A 250V	35 FT.	10/4, SJO	4.75"	YELLOW	32.2 LB [14.6 KG]
HBLI25104Y	YL, IND REEL, UL TYPE 1, 25' SJO, 10/4, 30A MAX. 250V	30A 250V	25 FT.	10/4, SJO	4.75"	YELLOW	29.1 LB [13.2 KG]

LIST OF PARTS		
DESCRIPTION	MATERIAL	FINISH
SPOOL WITH RATCHET	ALUMINIUM	POWDER COATING
SPOOL	ALUMINIUM	POWDER COATING
WIRING CHAMBER COVER	ALUMINIUM	POWDER COATING
SPRING BOX COVER	STEEL	ZINC PLATE
CLOCKWORK SPRING	SPRING STEEL	
GUIDE ARM	ALUMINIUM	POWDER COATING
GUIDE FRAME	THERMOPLASTIC	
HARDWARE	STEEL	ZINC PLATE
SPINDLE	STEEL	ZINC PLATE
CORD	COPPER	
BALL STOPPER	THERMOPLASTIC	
INTERNAL TERMINALS	COPPER ALLOY	
FITTING	ALUMINIUM	

1	NEW RELEASE PER DCN #24214. D.LI		8/7/2018
REV	DESCRIPTION	APP	DATE

THE DESIGN AND DIMENSIONS OF THE PRODUCT SHOWN ON THIS DRAWING ARE SUBJECT TO CHANGE WITHOUT NOTICE. DIMENSIONS ARE IN INCHES [mm].

TITLE
REEL WITH OPEN CORD END, UL TYPE 1



WIRING DEVICE-KELLEMS
HUBBELL INCORPORATED
SHELTON, CT

TOLERANCES UNLESS OTHERWISE SPECIFIED .XX = ±.01 .XXX = ±.005 ANGLE TOL. ±2°	DR. BY VD	SCALE 1:8
	CHK. BY MA	DATE 02/02/2018

DIMENSION SHEET FOR CAT. NO. SEE TABLE

B

M-13840

1