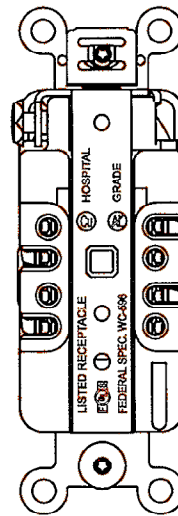
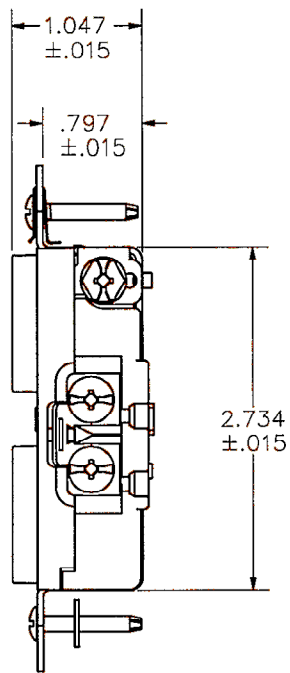
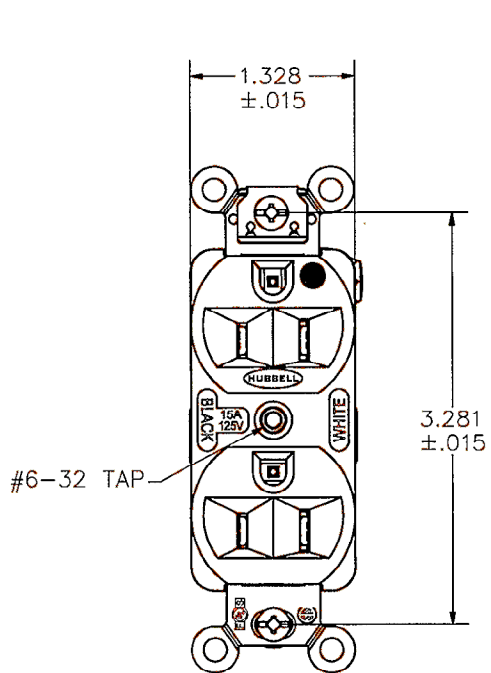


M-6917

7



CATALOG NUMBERS								LISTINGS				
BROWN	IVORY	GRAY	WHITE	RED	ALMOND	LT. ALMOND	GREEN	CONFIGURATION	RATING	FS	UL	CSA
HBL8200H	HBL8200HI	HBL8200HG	HBL8200HW	HBL8200HRED	-	HBL8200HLA	-		15A 125V	X		X
HBL8300H	HBL8300HI	HBL8300HG	HBL8300HW	HBL8300HRED	HBL8300HAL	HBL8300HLA	HBL8300HGN		20A 125V	X		X

LIST OF PARTS		
DESCRIPTION	MATERIAL	FINISH
TOP**	THERMOPLASTIC POLYESTER	SEE CHART
BASE	POLYESTER	BLACK
CONT. SP. BIND PLATE	.031 BRASS	
GR. CONT. SP.	.031 BRASS	
WIRE CLAMP	.062 CRS	NICKEL PL.
BRIDGE	STEEL	GALVANIZED
GROUNDING SPRING	ST. STEEL	
BINDING SCREWS	BRASS	*
HEX HD. BIND SC.	BRASS	GREEN
MOUNTING SCREW	STEEL	ZINC. PLATE
WASHER	FIBER	
CENTER RIVET	BRASS	

* = WHITE FINISH ON NEUTRAL PARTS WHEN USED
 ** = RED DEVICES- NYLON TOP

7	REPLACED DRAWING FORMAT TO INVENTOR. IN LIST OF PARTS TABLE, BRIDGE MATERIAL, STEEL WAS BRASS. IN CAT. NOS. TABLE, ADDED GREEN CAT. NO. PER DCN 19850 DDL	DJP	05/28/13
---	---	-----	----------

REV	DESCRIPTION	APP	DATE
	THE DESIGN AND DIMENSIONS OF THE PRODUCT SHOWN ON THIS DRAWING ARE SUBJECT TO CHANGE WITHOUT NOTICE		

TITLE 3 WIRE GROUNDING STRAIGHT BLADE DUPLEX RECEPTACLE SIDE & BACK WIRED FOR HOSPITAL USE

TOLERANCES UNLESS OTHERWISE SPECIFIED		WIRING DEVICE-KELLEMS HUBBELL INCORPORATED SHELTON, CT	
.XX = ± .01	.XXX = ± .005	DR. BY	APP. BY
ANGLES = ± 2'		TR. BY	SCALE
		CHK. BY	DATE

DIMENSION SHEET FOR CAT. NO. M-6917
 SEE TABLE
 REPAIRABLE NON-REPAIRABLE
 B
 7