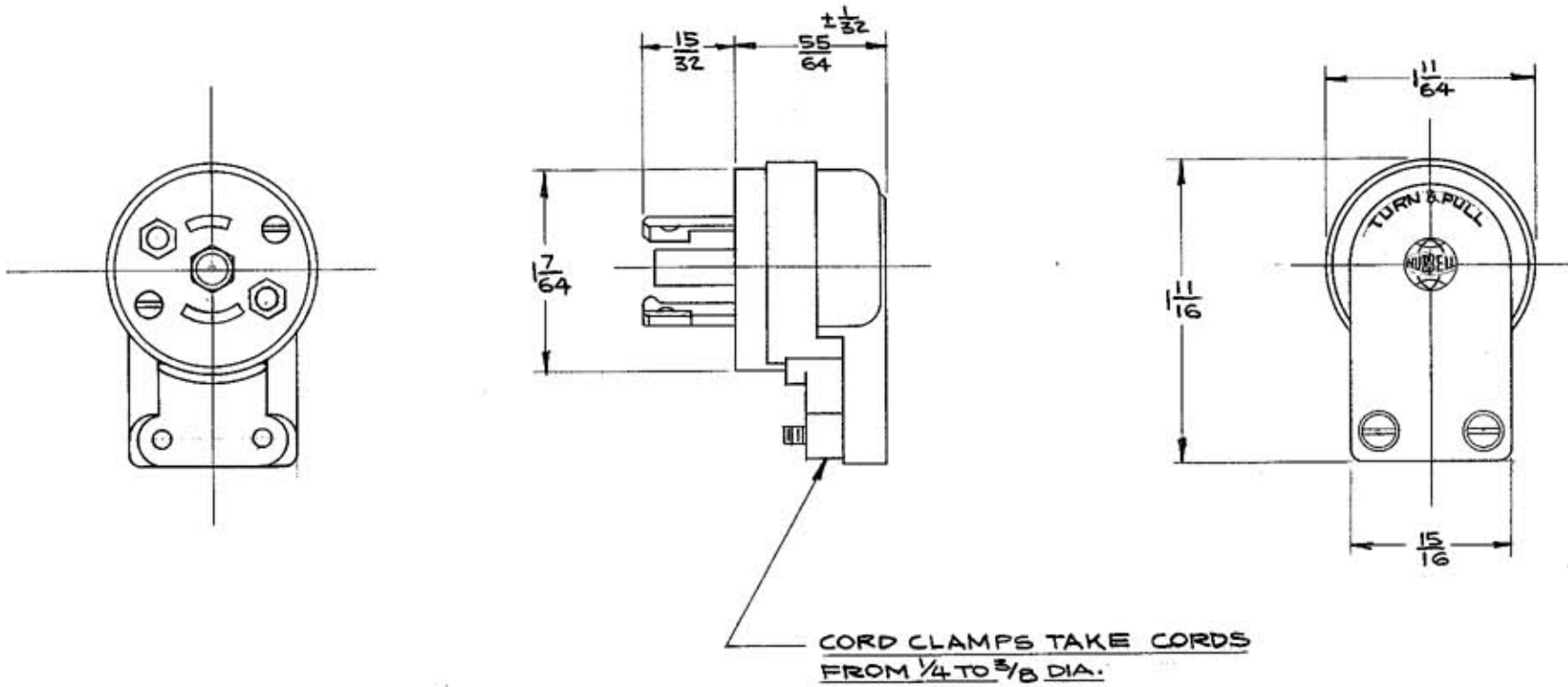


M-4559



LIST OF PARTS

DESCRIPTION	MATERIAL	FINISH
BODY	BAKELITE	BLACK
ANGLE CORD BASE	NYLON	BLACK
CORD CLAMP	NYLON	BLACK
GR. CONT. SLEEVE	BRASS	
CONT. BLADES	BRASS	1 WHITE
BINDING SCREWS	BRASS	1 WHITE
HEX. HD BIND. SCREW	BRASS	GREEN
INSULATOR	OSI FIBRE	RED

DIMENSION SHEET FOR CAT. NO. 7570

REPAIRABLE NON-REPAIRABLE

B

M-4559

SYM	REVISIONS	APP	DATE

TITLE
 15A. 125V.- 2- POLE 3- WIRE GROUNDING
 MIDGET TWIST-LOCK CAP WITH NYLON
 ANGLE CORD GRIPS.

TOLERANCES UNLESS OTHERWISE SPECIFIED
 FRACTIONS ± 1/64
 DECIMALS ± .005
 ANGLES ± 2°

HARVEY HUBBELL, INC.
 BRIDGEPORT, CONN.
 DR. BY D.J.R. APP. BY _____
 TR. BY _____ SCALE FULL
 CHK'D. BY _____ DATE 10-6-66