





M-7151

9

CHEM-MARINE CAT. NO. (YELLOW COVER & INSERT) [B]	CAT. NO. (YELLOW COVER & INSERT)	CAT. NO. (BLACK COVER & INSERT)	ALL BLACK [C]	CONFIGURATION	RATING	IEC RATING COLOR	U.L.	C.S.A.
HBL47CM20C	-----	HBL4720C	HBL4720CBK	NEMA 5-15P 	15A 125V	YELLOW	YES	YES
HBL45CM70C	-----	HBL4570C		NEMA 6-15P 	15A 250V	BLUE	YES	YES
HBL47CM70C	-----	HBL4770C		NEMA 7-15P 	15A 277VAC	GRAY	YES	YES
-----	HBL7567CY	HBL7567C		3-POLE 3-WIRE 	15A 125V 10A 250V	BLACK	NO	NO

LIST OF PARTS		
DESCRIPTION	MATERIAL	FINISH
[C] BLADE HOLDER	NYLON	NATURAL
RETAINER	POLYCARBONATE	CLEAR
COVER	NYLON	
INSERT	NYLON	
[C] CORD CLAMP	NYLON	NATURAL
WIRE CLAMP	.062 CRS	NICKEL PLATE
[A] CONTACT BLADES	.060 BRASS	
[A] BINDING SCREWS	BRASS	
GROUND HEX. HEAD BINDING SCREW	BRASS	GREEN
CORD CLAMP	STEEL	ZINC PLATE
ASSY SCREWS	STEEL	ZINC PLATE

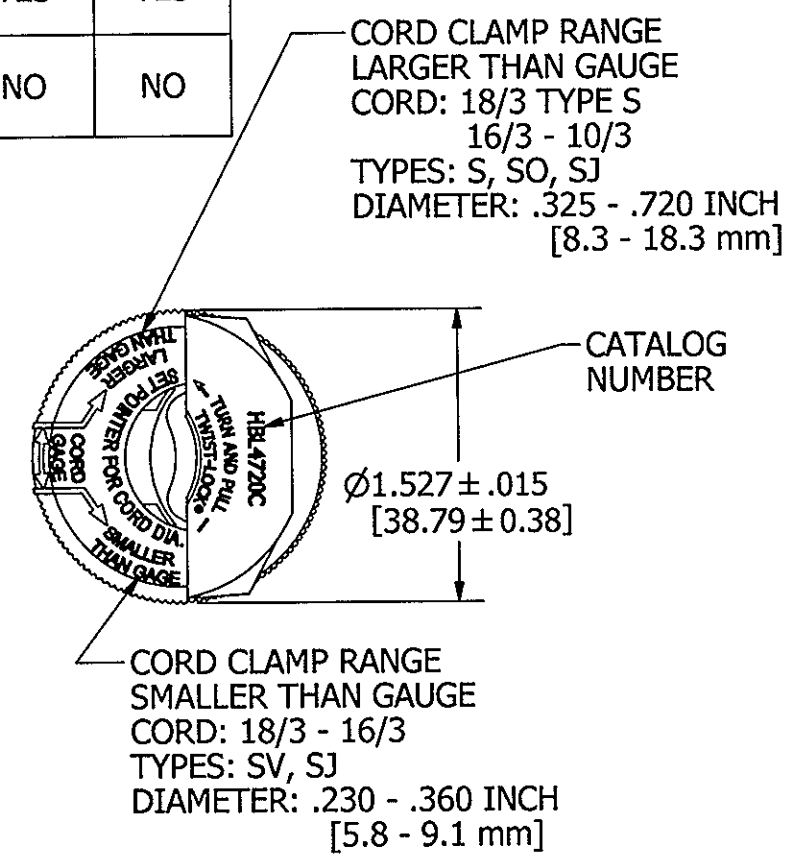
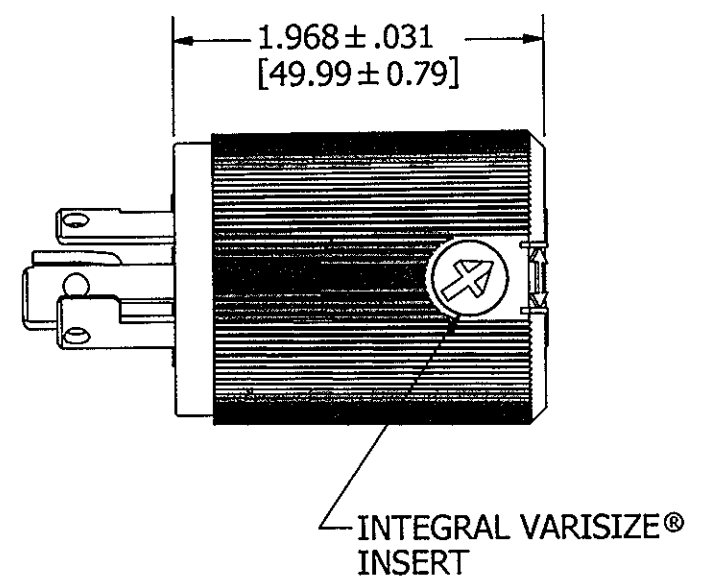
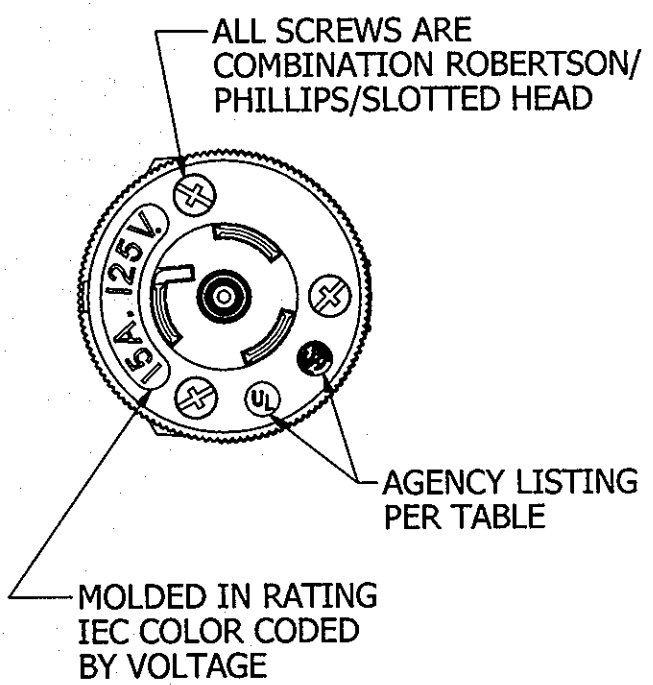
DIMENSION SHEET FOR CAT. NO. SEE TABLE

REPAIRABLE NON-REPAIRABLE

B

M-7151

9



9	REVISED PER DCN22024 SPN	DJP	5/19/16
8	REDRAWN WITH EMBEDDED CAD MODEL WITH NO CHANGES TO PART GEOMETRY. PER DCN 21895 SPN	DJP	2/5/16
REV	DESCRIPTION	APP	DATE

THE DESIGN AND DIMENSIONS OF THE PRODUCT SHOWN ON THIS DRAWING ARE SUBJECT TO CHANGE WITHOUT NOTICE

TITLE			
INSULGRIP® 2 POLE 3 WIRE GROUNDING TWIST-LOCK® PLUGS			
TOLERANCES UNLESS OTHERWISE SPECIFIED		WIRING DEVICE-KELLEMS HUBBELL INCORPORATED SHELTON, CT	
.XX = ± .01	.XXX = ± .005	DR. BY RCM	APP. BY VFL
ANGLES = ± 2'		TR. BY	SCALE 1:1
		CHK. BY ZMM	DATE 6/30/93

NOTES:

- DIMENSIONS ARE IN INCHES [mm].
- COMPONENT FINISHES:
 - [A] WHITE FINISH ON NEUTRAL CONTACT WHEN USED.
 - [B] CM DEVICES SAME AS ABOVE EXCEPT:
COVER & CORD CLAMP- YELLOW
TERMINAL SCREWS & CONTACT- NICKEL PLATED
WIRE CLAMPS - BRASS, NICKEL PLATE
ASSEM FASTENERS - STAINLESS STEEL
 - [C] BK DEVICES ARE SAME AS ABOVE EXCEPT ALL BLACK