

# SECTION K



## Table of Contents



Weatherproof Cable Reels and Industrial Power Cord Reels



Industrial and Commercial Lighted Cord Reels



Air/Water Hose Reels and Static Discharge Reels



Product	Page
Weatherproof Cable Reels	K-2
Industrial Power Cord Reels	K-3
Industrial and Commercial Lighted Cord Reels	K-4
Commercial Cord Reels	K-5
Air/Water Hose Reels and Static Discharge Reels	K-6



## Features and Benefits

### Weatherproof Cable Reels

- Powder coated, solid steel construction
- Multi-position roller guide can be mounted in four different positions
- Ratchet lock can be disengaged in field for constant tension application
- UL Type 4X enclosure protects spring motor, junction box, slip ring assembly and cable entrance from hosedown or corrosion
- Optional pivot base allows 340° rotation of reel and increases range of cable to nearly any direction



**HBL501242W**  
with HBL16PB

### Weatherproof Cable Reels, 50 Ft. (15.2m)



**HBL501242W**  
with HBL16PB

Description	Cable Type	Amps	Volts AC	Weight Lbs. (kg)	Catalog Number
14" weatherproof reel.	#14/3 SOW-A	15	600	55 (24.9)	<b>HBL501431W*</b>
16" weatherproof reel.	#12/3 SOW-A	20	600	80 (36.3)	<b>HBL501232W*</b>
16" weatherproof reel, (white reel housing).	#12/3 SOW-A	20	600	80 (36.3)	<b>HBL501232WM1*</b>
16" weatherproof reel.	#12/4 SOW-A	16	600	86 (39.0)	<b>HBL501242W*</b>
16" weatherproof reel.	#10/3 SOW-A	25	600	86 (39.0)	<b>HBL501032W*</b>
16" weatherproof reel, (white reel housing).	#10/3 SOW-A	25	600	86 (39.0)	<b>HBL501032WM1*</b>
16" weatherproof reel.	#10/4 SOW-A	20	600	92 (41.7)	<b>HBL501042W*</b>

Note: \*All weatherproof cable reels are supplied with wire leads and 3/4" NPT hub feed. Power supply cable not supplied.



**HBL14PB**

### Accessories

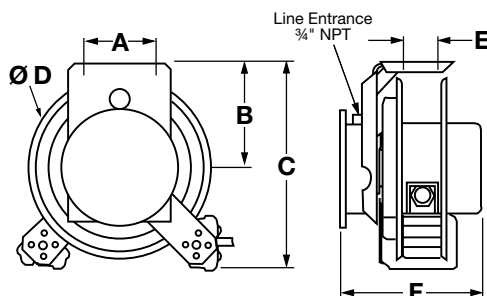
Description	Weight Lbs. (kg)	Description
14" pivot base.	5 (2.3)	<b>HBL14PB</b>
16" pivot base.	13 (5.9)	<b>HBL16PB</b>
Replacement stop.	.2 (.09)	<b>HBLWPBS</b>

### Specifications

Listing/Certification	UL 355 and CSA, C22.2 No. 21.
Environment	Type 4X enclosure, CAN/CSA - C22.2 No. 21. Dry, indoor and wet and damp outdoor non-hazardous location.

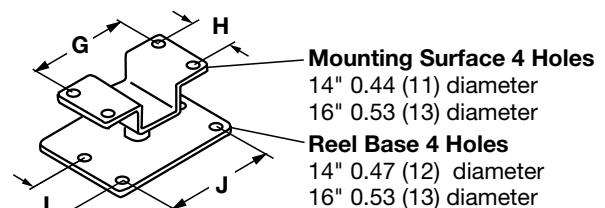
### Dimensions

Inch (mm)	A	B	C	D	E	F	G	H	I	J
14" Reel	6.50" (165)	8.12" (206)	16.25" (413)	13.75" (349)	3.00" (76)	12.19" (310)	3.00" (76)	3.00" (76)	3.00" (76)	6.50" (165)
16" Reel	6.50" (165)	9.12" (232)	18.25" (464)	15.75" (400)	3.00" (76)	14.19" (360)	6.00" (152)	6.00" (152)	4.94" (125)	6.50" (165)



### Pivot Base

#### 340° Pivot Base (Optional)



Note: Pivot base for use only with Weatherproof Cable Reel.

Dimensions in Inches (mm)

# Cable, Cord and Hose Reels



## Features and Benefits

### Industrial Power Cord Reels

- Durable, corrosion resistant steel construction design with yellow or white powder coat finish
- Multi-position guide arm
- Positive-latch mechanism automatically maintains desired cord length
- 12 AWG cord for greater current carrying capacity
- Plug-in 5 ft. long power cord requires no electrical wiring



HBL45123TL20

### Industrial Power Cord Reels

Cord End	Cable Feet (m)	Cable Type	NEMA Style	Amps	Volts AC	Weight Lbs. (kg)	Catalog Number
Without cord ends.	50 (15.2)	#16/3 SJ	—	10	125	20 (9.1)	<b>HBL50163</b>
Without cord ends.	45 (13.7)	#12/3 SJ	—	20	125	21 (9.5)	<b>HBL45123</b>
HBL5269C connector.	45 (13.7)	#12/3 SJ	5-15R	15	125	28 (12.7)	<b>HBL45123C</b>
HBL5369C connector.	45 (13.7)	#12/3 SJ	5-20R	20	125	28 (12.7)	<b>HBL45123C20</b>
Same as above with white reel housing.							<b>HBL45123C20W</b>
HBL2313 connector.	45 (13.7)	#12/3 SJ	L5-20R	20	125	28 (12.7)	<b>HBL45123TL20</b>
Same as above with white reel housing.							<b>HBL45123TL20W</b>
Portable outlet box with (1) gray duplex receptacle.	45 (13.7)	#12/3 SJ	5-15R	15	125	29 (13.2)	<b>HBL45123R</b>
Same as above except white.	45 (13.7)	#12/3 SJ	5-20R	20	125	29 (13.2)	<b>HBL45123R20</b>
Black portable outlet box with (1) gray duplex receptacle.	45 (13.7)	#12/3 SJ	5-20R	20	125	29 (13.2)	<b>HBL45123R20WM1</b>
Portable outlet box with (2) gray duplex receptacles.	45 (13.7)	#12/3 SJ	5-20R	20	125	29 (13.2)	<b>HBL45123R220</b>
Same as above except white.							<b>HBL45123R220W</b>
Black portable outlet box with (2) gray duplex receptacles, white reel housing.	45 (13.7)	#12/3 SJ	5-20R	20	125	29 (13.2)	<b>HBL45123R220WM1</b>
Portable outlet box with (1) ground fault protected gray duplex receptacle.	45 (13.7)	#12/3 SJ	5-15R	15	125	29 (13.2)	<b>HBL45123GF15</b>
Same as above, with white reel housing.	45 (13.7)	#12/3 SJ	5-20R	20	125	29 (13.2)	<b>HBL45123GF20</b>
Black portable outlet box with (2) ground fault protected gray duplex receptacles, white reel housing.	45 (13.7)	#12/3 SJ	5-20R	20	125	25 (11.3)	<b>HBL45123GF220WM1</b>

Note: 15 Amp: Supplied with 5 ft. power supply cord with HBL5266C, 15A straight blade plug. 20 Amp: Supplied with 5 ft. power supply cord with HBL5366C, 20A straight blade plug. Ground fault protected reels supplied with (1) GFM20 and (1) HBLP26FS.



HBL45123C



HBL45123TL20



HBL45123R



HBL45123R20WM1



HBL45123GF15



HBL45123GF20WM1



HBL340PB

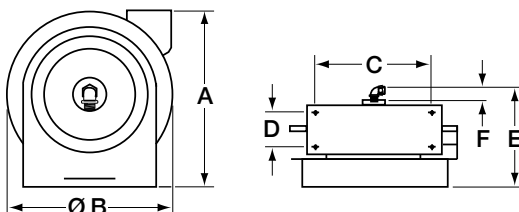
Dimensions in Inches (mm)

### Accessories

Description	Weight Lbs. (kg)	Catalog Number
Pivot base 340° rotation fits all industrial models.	5 (2.3)	<b>HBL340PB</b>
Replacement stop.	.2 (.09)	<b>HBL12BS</b>

### Dimensions

Inch (mm)	A	B	C	D	E	F
	13.00"	12.38"	8.00"	2.50"	9.75"	1.25"
	(330)	(314)	(203)	(64)	(248)	(32)



Note: All models have four .625" (15.9) diameter mounting holes.

### Listing/Certification

UL 355  
CSA C22.2 No. 21.

### Environment

Dry, indoor, non-hazardous locations.

### Mounting Positions

Wall mount.  
Ceiling mount.  
Bench mount.



**HBL50162LED**

## Industrial Lighted Cord Reels, 50 Ft. (15.2m) - 16/3 AWG SJEO Cable



Cord End	Watts (Max)	Amps	Volts AC	Weight Lbs. (kg)	Catalog Number
LED hand lamp, with end light.	8 + 1	0.07	120	21 (9.5)	<b>HBL50162LED</b>
Fluorescent hand lamp.	13	0.3	120	21 (9.5)	<b>HBL50162FL</b>
Incandescent hand lamp.	100	0.8	125	21 (9.5)	<b>HBL50163IN</b>

Note: Supplied with 5 ft. power supply cord with HBL5266C, 15A straight blade plug.

### Accessories



**HBLC25143IN**

Description	Watts (Max)	Amps	Volts AC	Weight Lbs. (kg)	Catalog Number
Replacement stop.	—	—	—	.2 (.09)	<b>HBL16BS</b>
Replacement LED hand lamp.	8 + 1	0.07	120	1 (.5)	<b>HBL16LEDR*</b>
Replacement fluorescent hand lamp.	13	0.3	120	1 (.5)	<b>HBL16FLR</b>
Replacement incandescent hand lamp.	100	0.8	125	1 (.5)	<b>HBL16INR</b>

Note: \*ETL Listed by INTERTEK.



**HBLC40182LED**



**HBL50162FL**



**HBL50163IN**

## Commercial Lighted Cord Reels



Description	Cable Feet (m)	Cable Type	Watts (Max)	Amps	Volts AC	Weight Lbs. (kg)	Catalog Number
Reel with LED hand lamp, with flashlight end, white	40 (12.2)	#18/2 SJTOW	8 + 1	0.65	125	8.2 (3.7)	<b>HBLC40182LED</b>
Reel with non-metallic incandescent hand lamp and automatic shut off switch, yellow.	25 (7.6)	#16/3 SJT	75	0.6	125	9.0 (4.1)	<b>HBLC25163AIN**</b>
Reel with metallic incandescent hand lamp with receptacle, yellow.	25 (7.6)	#14/3 SJT	1,625	13	125	9.5 (4.3)	<b>HBLC25143IN</b>
Reel with fluorescent hand lamp and automatic shut off switch, white.	40 (12.2)	#18/2 SJTOW	13	0.3	120	8.2 (3.7)	<b>HBLC40182AFL**</b>
Reel with fluorescent hand lamp and in-line receptacle, white.	40 (12.2)	#16/3 SJT	1,200	10	120	9.0 (4.1)	<b>HBLC40163FL</b>

Note: \*\*Allows the electrical cord reel installation to conform to Article 511 of the National Electric Code concerning installation of electrical devices in commercial garages, repair facilities and storage locations by positioning the switch above the defined area where hazardous fumes may collect.



**HBLC40182AFL**



**HBLC40163FL**

INTERTEK and the Intertek logo are registered trademarks of Intertek Group plc.



## Features and Benefits

### Commercial Cord Reels

- Durable steel construction for commercial and general purpose applications
- Compact size, flexible mounting options for ceiling, wall or bench
- Automatic ratchet lock holds cord at desired length and provides easy, smooth retraction of cord
- 12 AWG cord for greater current carrying capacity
- Attached plug for power cord requires no wiring



### Commercial Cord Reels

- Durable light weight non-metallic housing
- Removable bracket allows reel to be disengaged from mount providing portability
- 40 Ft. of #12/3 cord for greater current carrying capacity
- Triple tap outlet with supplemental over current protection

### Commercial Cord Reels

Description	Cable Feet (m)	Cable Type	Watts (Max)	Amps	Volts AC	Weight Lbs. (kg)	Catalog Number
Reel with triple tap outlet, black.	40 (12.2)	#12/3 SJTW	1,875	15	125	9.0 (4.1)	<b>HBLC40123TT</b>
Reel with wire leads, black.	40 (12.2)	#12/3 SJTW	1,875	15	125	9.0 (4.1)	<b>HBLC40123</b>
Reel with triple tap outlet, with white cord.	30 (9.1)	#16/3 SJT	1,250	10	125	8.5 (3.9)	<b>HBLC30163TT</b>
Reel with a Hubbell HBL5969VBLK connector, yellow.	25 (7.6)	#16/3 SJT	1,250	10	125	8.5 (3.9)	<b>HBLC25163C</b>
Reel with wire leads, yellow.	25 (7.6)	#16/3 SJT	1,250	10	125	8.5 (3.9)	<b>HBLC25163**</b>
Replacement mounting bracket for 12/3 cable, commercial cord reels HBLC40123(TT).	—	—	—	—	—	.3 (.17)	<b>HBLC12MB</b>

Note: Reels supplied with 2 ft. power supply cord and molded on straight blade 15A plug.  
 \*\*UL Listed only.



HBLC40123TT

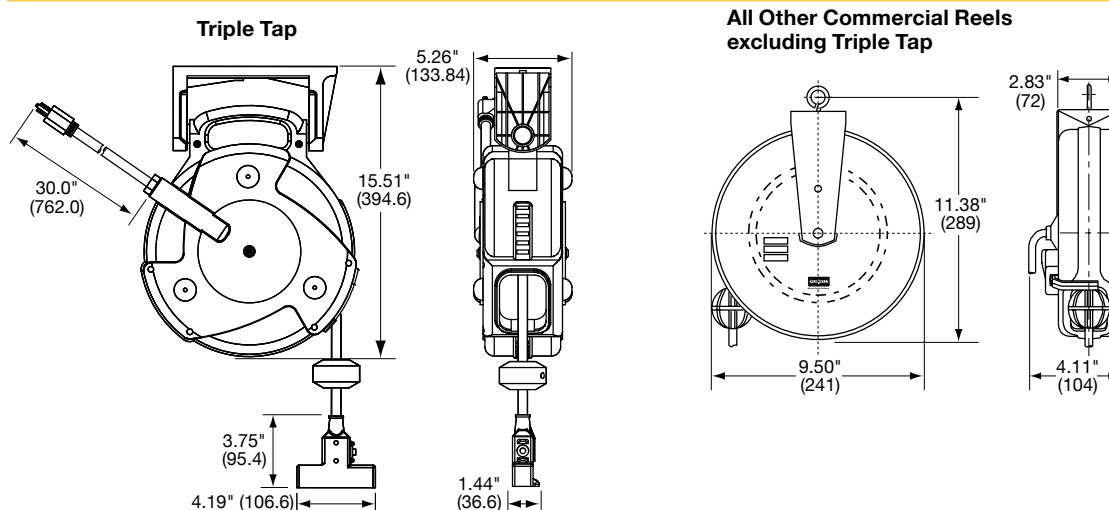


HBLC25163C

### Specifications

Listing/Certification	UL 355.
Environment	Dry, indoor, non-hazardous locations.
Incandescent Lamp	75 watt max., auto switch, no receptacle; 100 watt max. bulb, with receptacle.
Fluorescent Lamp	10A/1200W max. with in-line receptacle; 13 watt without receptacle.

### Dimensions



Dimensions in Inches (mm)



## Features and Benefits

### Air/Water Hose Reels

- Constructed of rugged steel, baked polyester finish components
- Multi-position four roller guide and adjustable hose stop
- Spring rewind and ratchet lock
- Full flow shafts and swivels assure maximum product delivery



HBLHR2535



HBL50SD

### Static Discharge Reels

- Steel construction
- Compact design minimizes required installation space
- Available with steel or nylon coated steel cable
- Large grounding jaw clamp provides low resistant ground termination

### Air/Water Hose Reels



HBLHR2535

Description	Cable Feet (m)	Max Pressure Psi	Frame Size	Input Hose Fitting (NPTF)	O.D. Inch (mm)	Weight Lbs. (kg)	Catalog Number
Low pressure ¼" ID.	35 (10.7)	300	A	1/4	0.51 (13.0)	24 (10.9)	<b>HBLHR2535</b>
	50 (15.2)	300	B	1/4	0.51 (13.0)	26 (11.8)	<b>HBLHR2550</b>
Low pressure ⅜" ID.	25 (7.6)	300	A	3/8	0.65 (16.5)	23 (10.4)	<b>HBLHR3825</b>
	50 (15.2)	300	C	3/8	0.65 (16.5)	36 (16.3)	<b>HBLHR3850</b>
	70 (21.3)	300	E	3/8	0.65 (16.5)	50 (22.7)	<b>HBLHR3870</b>
Low pressure ½" ID.	35 (10.7)	300	C	3/8	0.77 (19.6)	38 (17.2)	<b>HBLHR5035</b>
	50 (15.2)	300	E	3/8	0.77 (19.6)	44 (20.0)	<b>HBLHR5050</b>

### Static Discharge Reels



HBL50SD

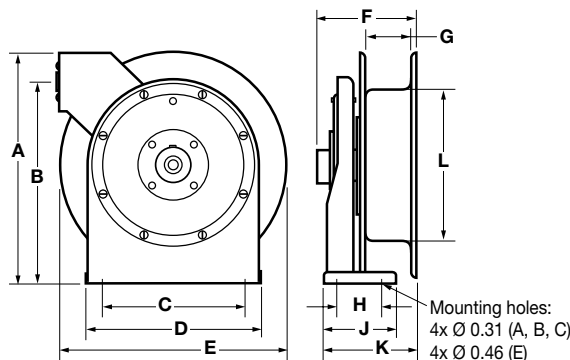
Description	Cable Feet (m)	Cable Type	Weight Lbs. (kg)	Catalog Number
Static discharge reel.	50 (15.2)	Single ⅜" Steel	12 (5.4)	<b>HBL50SD</b>
Static discharge reel.	50 (15.2)	Single ⅜" Steel Nylon Coated	13 (5.9)	<b>HBL50SDN</b>
Static discharge reel.	50 (15.2)*	Dual (Y) ⅜" Steel	13 (5.9)	<b>HBL50YSD</b>

Note: \*35 ft. (10.6m) + Dual 15 ft. (4.5m) for "Y".

### Dimensions

Frame size	A	B	C	D	E	F	G	H	J	K	L	M
A	12.88 (327)	11.25 (286)	8.00 (203)	9.88 (250)	12.13 (308)	5.50 (140)	2.50 (64)	2.50 (64)	4.00 (102)	5.09 (132)	8.38 (213)	—
B	14.50 (368)	12.81 (325)	9.75 (248)	11.25 (285)	13.75 (349)	6.19 (157)	3.16 (80)	2.50 (64)	4.00 (102)	5.88 (149)	8.38 (213)	—
C	17.50 (445)	15.63 (286)	9.75 (248)	11.25 (285)	16.50 (419)	6.19 (157)	3.16 (80)	2.50 (64)	4.00 (102)	5.88 (149)	10.25 (260)	—
E	20.38 (518)	18.12 (460)	7.88 (200)	9.45 (240)	19.00 (483)	6.63 (168)	3.35 (85)	3.86 (98)	5.43 (138)	6.10 (155)	11.00 (280)	9.5 (241)

### Air/Water Hose Reels



Dimensions in Inches (mm)

### Static Discharge Reel

