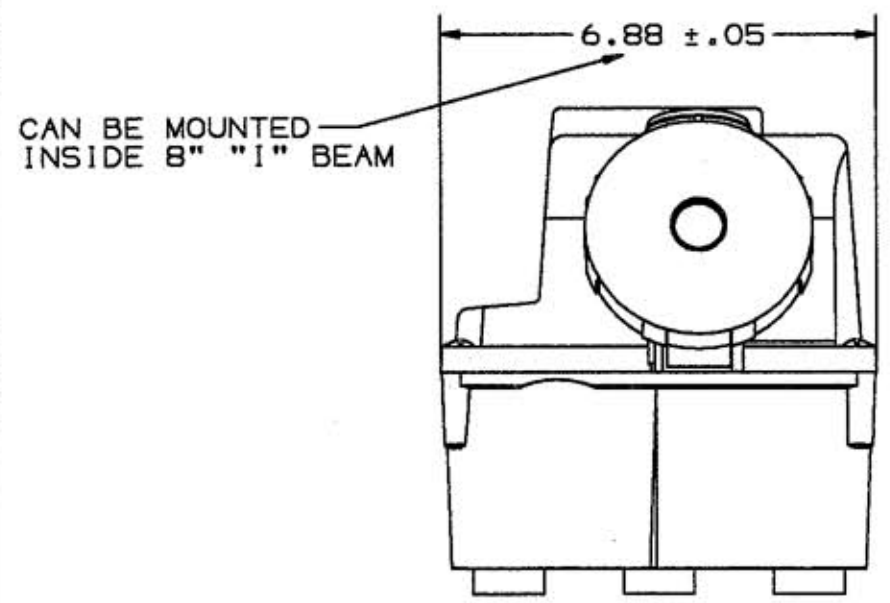
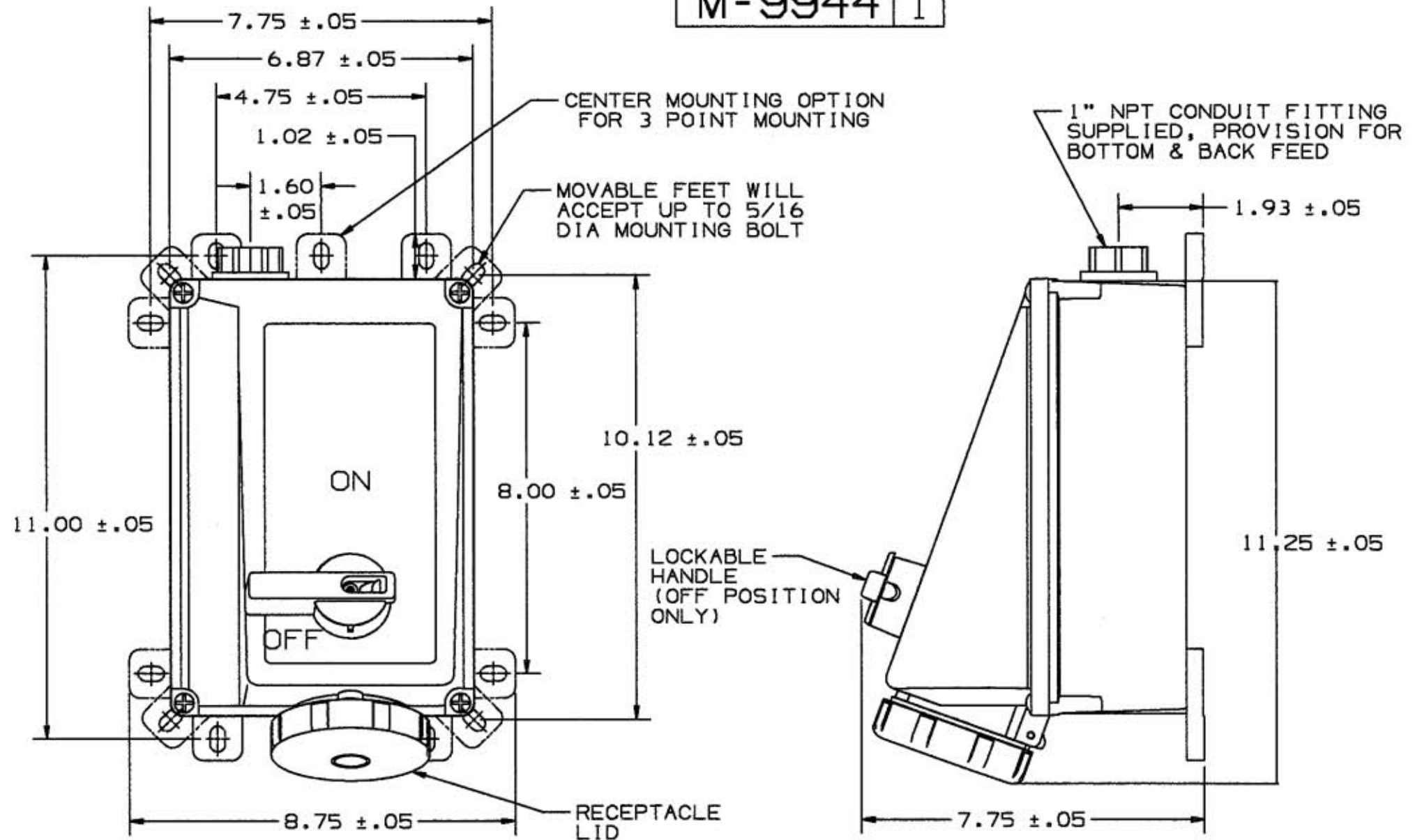


M-9944 1



CAT. NOS.	AMPS	RATING	HORSEPOWER	POLES	WIRES
HBL420M15W	20	600VAC 3Ø	10	3	4
HBL420M17W	20	480VAC 3Ø	10	3	4
HBL420M19W	20	240VAC 3Ø	5	3	4
HBL420M112W	20	120/240VAC	2 (208-240VAC L-L)	3	4

- NOTES: (UNLESS OTHERWISE SPECIFIED)
1. INTERPRET THIS DRAWING IN ACCORDANCE WITH ANSI Y14.5M-1982.
 2. ENCLOSURE TYPE 4X & 12K.
 3. UL 508 LISTED & CSA CERTIFIED.
 4. RECEPTACLE IS IEC 309-1 & 2 PIN & SLEEVE

LIST OF PARTS		
DESCRIPTION	MATERIAL	FINISH
ALL EXTERNAL PLASTIC PARTS	UV STABILIZED POLYESTER BLEND	
ALL EXTERNAL SCREWS	STAINLESS STEEL	
THREADED HUB	DIE CAST	
INSULATED THROAT	ZINC	

DIMENSION SHEET FOR CAT. NO. SEE TABLE

REPAIRABLE NON-REPAIRABLE

B

M-9944

1

1	RELEASED PER DCN 12859 GPH	APP	2/3/06
SYM	REVISIONS	APP	DATE

THE DESIGN AND DIMENSIONS OF THE PRODUCT SHOWN ON THIS DRAWING ARE SUBJECT TO CHANGE WITHOUT NOTICE

TITLE
DIMENSION SHEET FOR
20A MECHANICAL INTERLOCK

TOLERANCES UNLESS OTHERWISE SPECIFIED FRACTIONS ±1/64 DECIMALS ±.005 ANGLES ±2°	WIRING DEVICE-KELLEMS HUBBELL INCORPORATED BRIDGEPORT, CT	
	DR. BY GPH	APP. BY G.H.
	TR. BY	SCALE H
	CHK'D BY G.H.	DATE 10/20/05