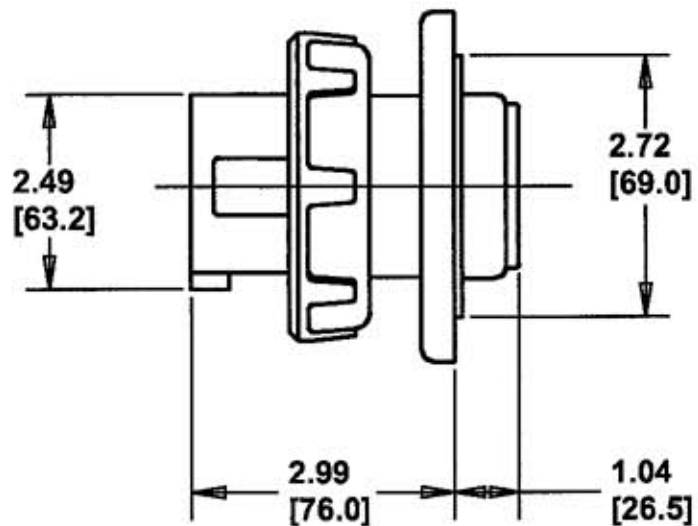
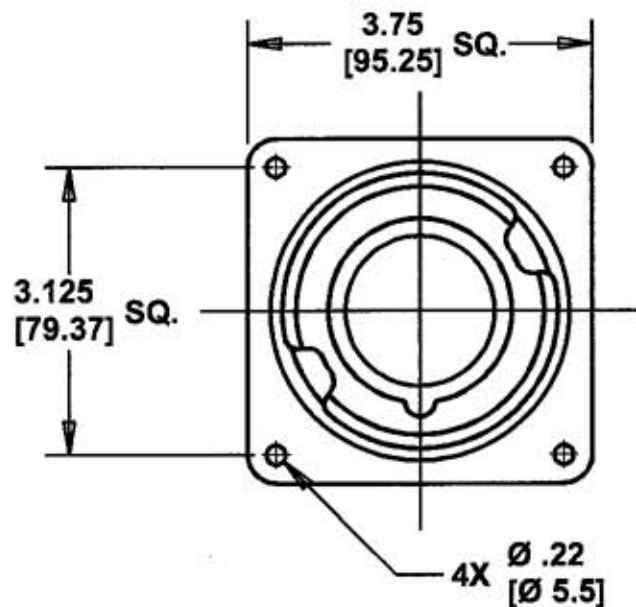


M-6058 3



LIST OF PARTS

DESCRIPTION	MATERIAL	FINISH
HOUSING	SEE TABLE	
GASKET	NEOPRENE	
LOCK RING	POLYESTER	
INTERIOR	THERMOSET	
PINS	BRASS	
TERMINAL SCREWS	ST. STEEL	
FLANGE	NYLON	
ASSEMBLY SCREWS	ST. STEEL	

DIMENSION SHEET FOR CAT. NO. SEE TABLE

REPAIRABLE NON-REPAIRABLE

CAT. NO.	CONFIGURATION	RATING	COMMENTS	HOUSING		CAT. NO.	CONFIGURATION	RATING	COMMENTS	HOUSING	
				MATERIAL	COLOR					MATERIAL	COLOR
						HBL330B7W		30 A 480 VDC		NYLON	RED
HBL330B4W		30 A 250 VAC		NYLON	YELLOW						
HBL332B4W		32 A 100-130 VAC									
HBL330B6W		30 A 250 VAC		NYLON	BLUE						
HBL332B6W		32 A 220-240 VAC									

4 REDRAWN ON CAD WITH CHANGES. ADDED NOTES 1 & 2, "32A" TO DWG. TITLE, "HOUSING" AND "COMMENTS" COLUMNS TO TABLE, AND RATINGS FOR CAT. NO.'S HBL332B4W & HBL332B6W. "Ø" WAS "DIA." AND "[XX.X]" WAS "MM". REMOVED CAT. NO.'S 330B3W & HBL330B5W FROM TABLE. IN LIST OF PARTS, "SEE TABLE" WAS "NYLON" AND "NEOPRENE" WAS "RUBBER". .22 DIM. WAS 7/32. SUPERSEDES DWG. DATED 5/5/80 PER DCN #12944. JMN

DJP 5/23/06

SYM	REVISIONS	APP	DATE

THE DESIGN AND DIMENSIONS OF THE PRODUCT SHOWN ON THIS DRAWING ARE SUBJECT TO CHANGE WITHOUT NOTICE

TITLE 30A & 32A 2 POLE 3 WIRE PIN AND SLEEVE INLETS

NOTES (UNLESS OTHERWISE SPECIFIED)
 1) TOLERANCES ARE:
 DECIMALS ± .03
 ANGLES ± 2°
 2) DIMENSIONS ARE: INCHES [MILLIMETERS]

TOLERANCES UNLESS OTHERWISE SPECIFIED FRACTIONS 1/64 DECIMALS ± .005 ANGLES ± 2°	WIRING DEVICE—KELLEMS HUBBELL INCORPORATED BRIDGEPORT, CT	
	DR. BY W.T.C.	APP. BY DJP
	TR. BY JMN	SCALE NONE
	CHK'D BY DJP	DATE 5/23/06

M-6058