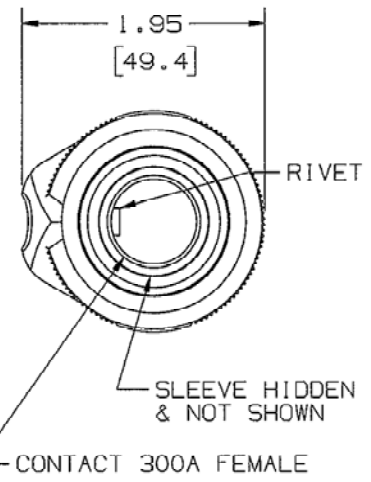
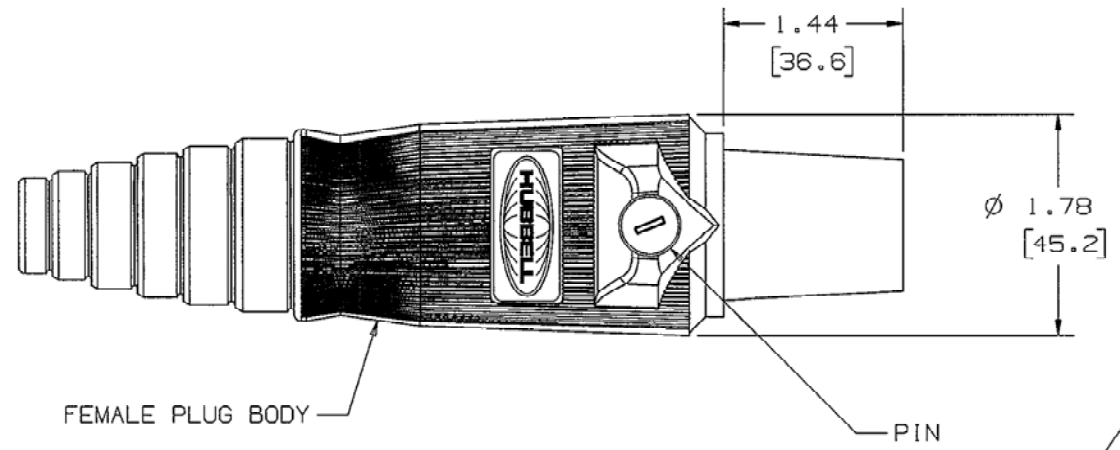
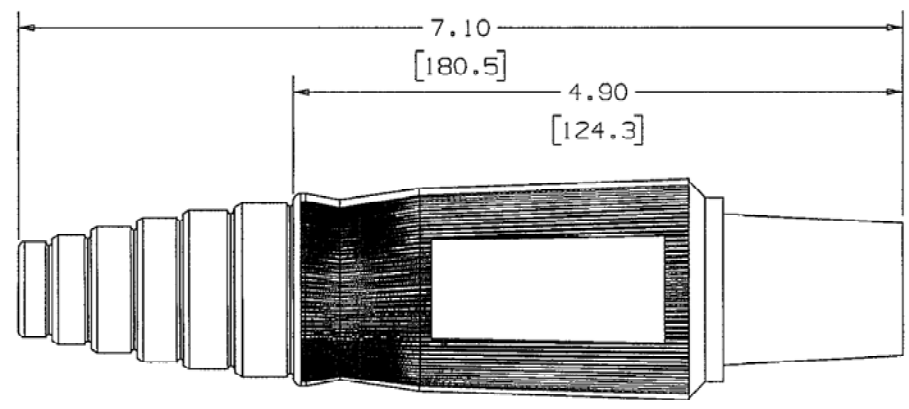


M-8909 3



- NOTES:
1. DIMENSIONS ARE INCHES ±.02
[mm] ±.5
 2. CABLE SIZE: #6 AWG - 2/0, COPPER ONLY
 3. RATING 600VAC/250VDC 300 AMPS
 4. UL/c-UL ENCLOSURE TYPES 3R, 4X, 12, SEE INSTRUCTION SHEET
 5. 1/2-20 UNF-2A X 1/2 LG. 7/32 SOCKET HEAD SET SCREWS, LEAD WIRE & COPPER SHEET NOT SHOWN.

HUBBELL CAT. NO.	COLOR
HBL300FBK	BLACK
HBL300FW	WHITE
HBL300FGN	GREEN
HBL300FR	RED
HBL300FBL	BLUE
HBL300FO	ORANGE
HBL300FBN	BROWN
HBL300FY	YELLOW

LIST OF PARTS		
DESCRIPTION	MATERIAL	FINISH
FEMALE PLUG BODY	TPC	SEE TABLE
SLEEVE	NYLON	BLACK
CONTACT 300A FEMALE	BRASS	
RIVET	BRASS	
PIN	NYLON	BLACK
SET SCREW	STEEL	NICKEL
LEAD WIRE	COPPER	
COPPER SHEET	COPPER	

3	3-21-12 DIM. 7.10 WAS 6.84 (ADDED 6th RING TO BODY) PER DCN 18725 CZH CZH	3/21/12
2	REMOVE MOLDED IN TEXT FROM VIEWS, ADDING REFERENCE SET TO THIS DRAWING & FILE D-58727-01 REMOVE Ø1.06 [27.0] & Ø1.22 [31.0] ADD CONTACT 300A FEMALE CALL-OUT ADD ±.02 & ±.5 TO NOTE 1 CHANGED NOTE 4 LIST OF PARTS DESCRIPTION FEMALE PLUG BODY WAS FEMALE PLUG PER DCN 11484 TwB	TWB 12/15/04
1	RELEASED PER DCN 10992 MJM	TWB 6/26/03
SYM	REVISIONS	APP DATE

THE DESIGN AND DIMENSIONS OF THE PRODUCT SHOWN ON THIS DRAWING ARE SUBJECT TO CHANGE WITHOUT NOTICE

TITLE
SINGLE POLE 300A FEMALE PLUGS

TOLERANCES UNLESS OTHERWISE SPECIFIED	WIRING DEVICE-KELLEMS HUBBELL INCORPORATED BRIDGEPORT, CT	
FRACTIONS 1/64	DR. BY MJM	APP. BY TWB
DECIMALS ±.005	TR. BY	SCALE 1:1
ANGLES ± 2°	CHK'D BY TWB	DATE 6/11/03

CODE 74545

DIMENSION SHEET FOR CAT. NO. M-8909
 REPAIRABLE NON-REPAIRABLE
 SEE TABLE