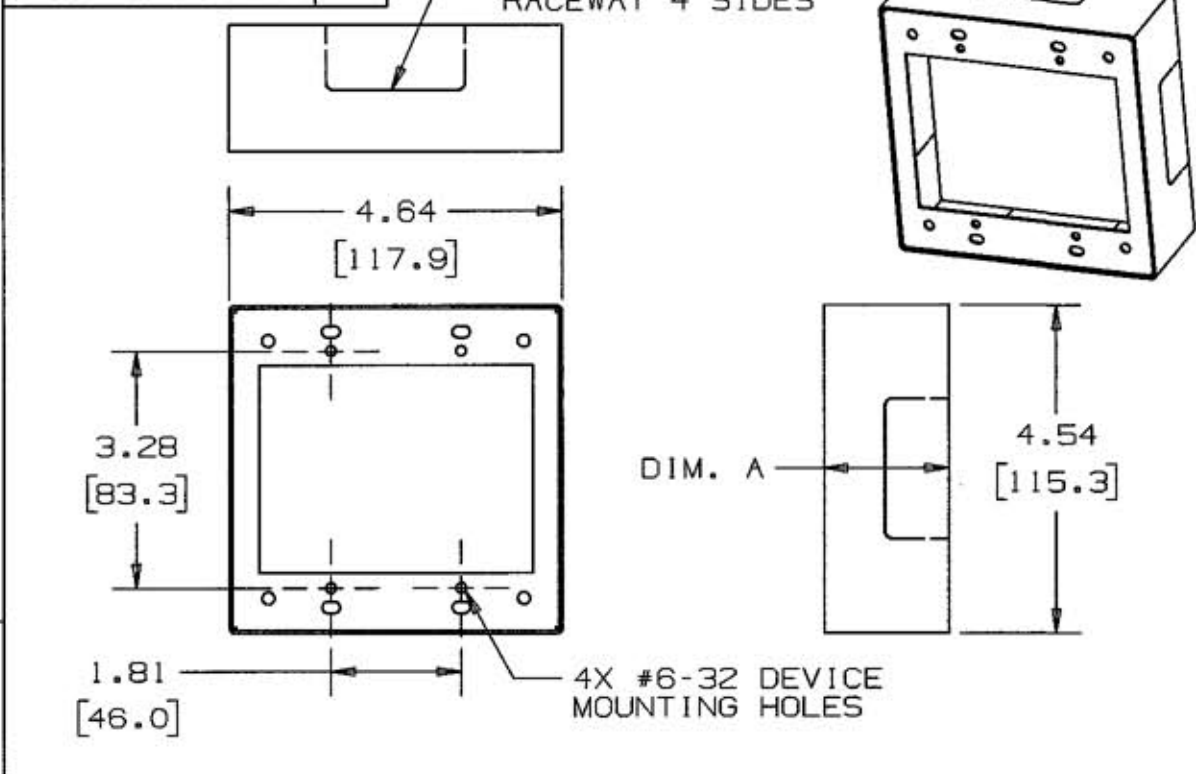


DIMENSION SHEET FOR CAT. NO. **M-10331**  
 REPAIRABLE  NON-REPAIRABLE

LIST OF PARTS

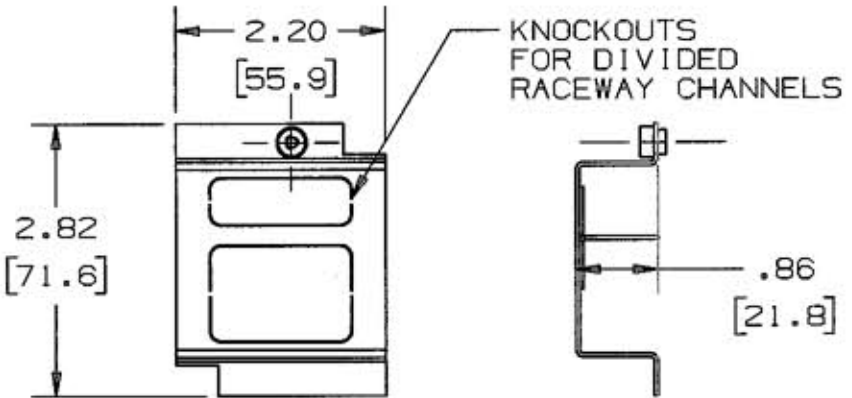
| DESCRIPTION | MATERIAL | FINISH     |
|-------------|----------|------------|
| BOX COVER   | STEEL    | PAINTED    |
| BOX BASE    | STEEL    | GALVANIZED |
| BOX CLAMP   | STEEL    | GALVANIZED |
| BOX TUNNEL  | STEEL    | GALVANIZED |
|             |          |            |
|             |          |            |
|             |          |            |
|             |          |            |
|             |          |            |
|             |          |            |
|             |          |            |
|             |          |            |
|             |          |            |
|             |          |            |
|             |          |            |

**M-10331**



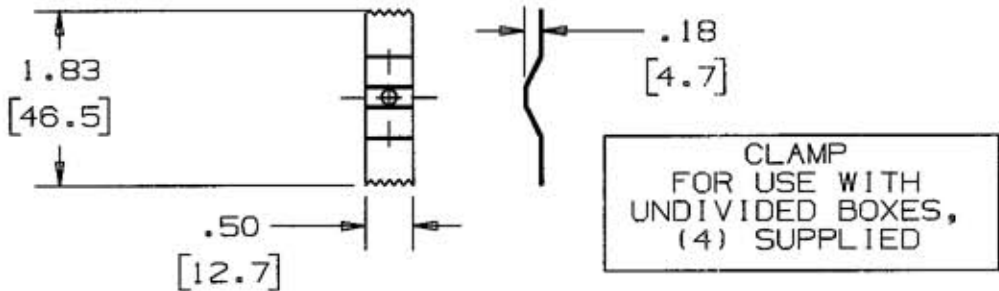
BOX COVER

| CAT. NO.                 | COLOR | DIM. A      | VOLUME                                                           |
|--------------------------|-------|-------------|------------------------------------------------------------------|
| HBL24482IV               | IVORY | 1.75 [44.5] | 34.0 in <sup>3</sup> [556.9 cm <sup>3</sup> ]                    |
| HBL2442IV & HBL2444D2AIV | IVORY | 2.75 [69.8] | 54.0 in <sup>3</sup> [884.5 cm <sup>3</sup> ]<br>WITHOUT TUNNELS |

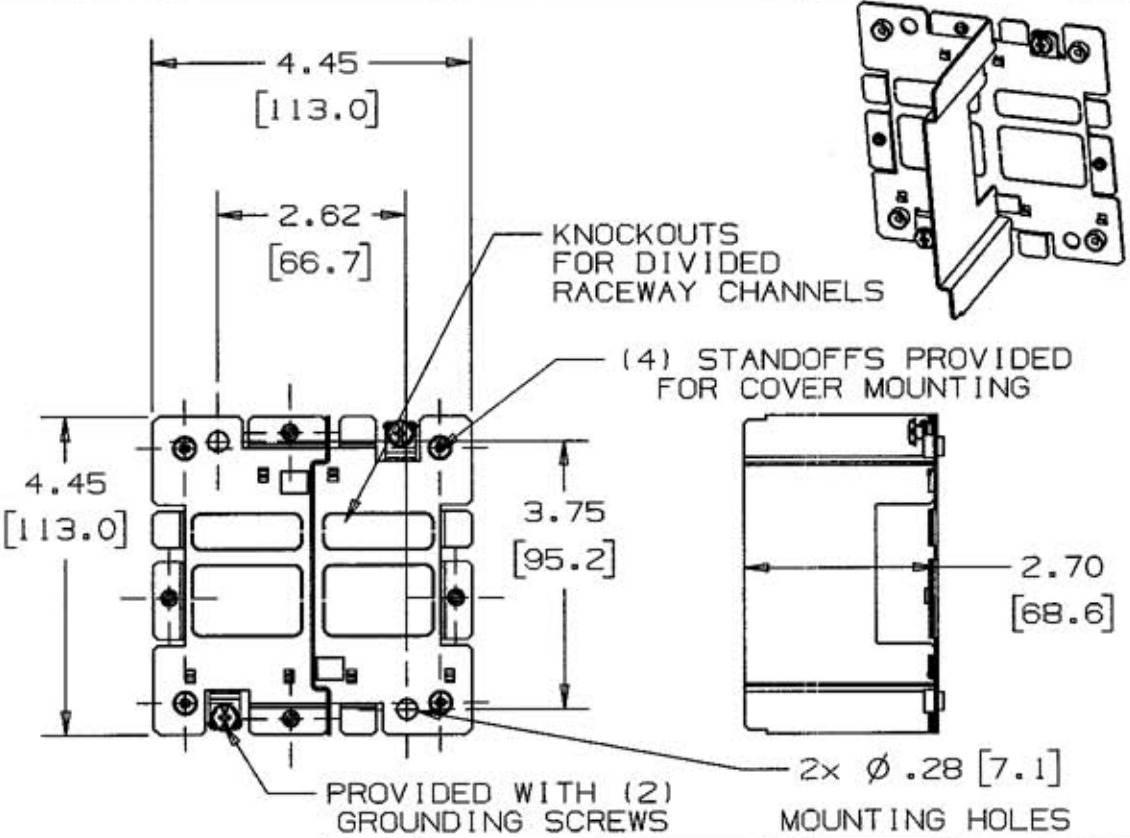


TUNNEL  
FOR USE WITH  
DIVIDED BOX

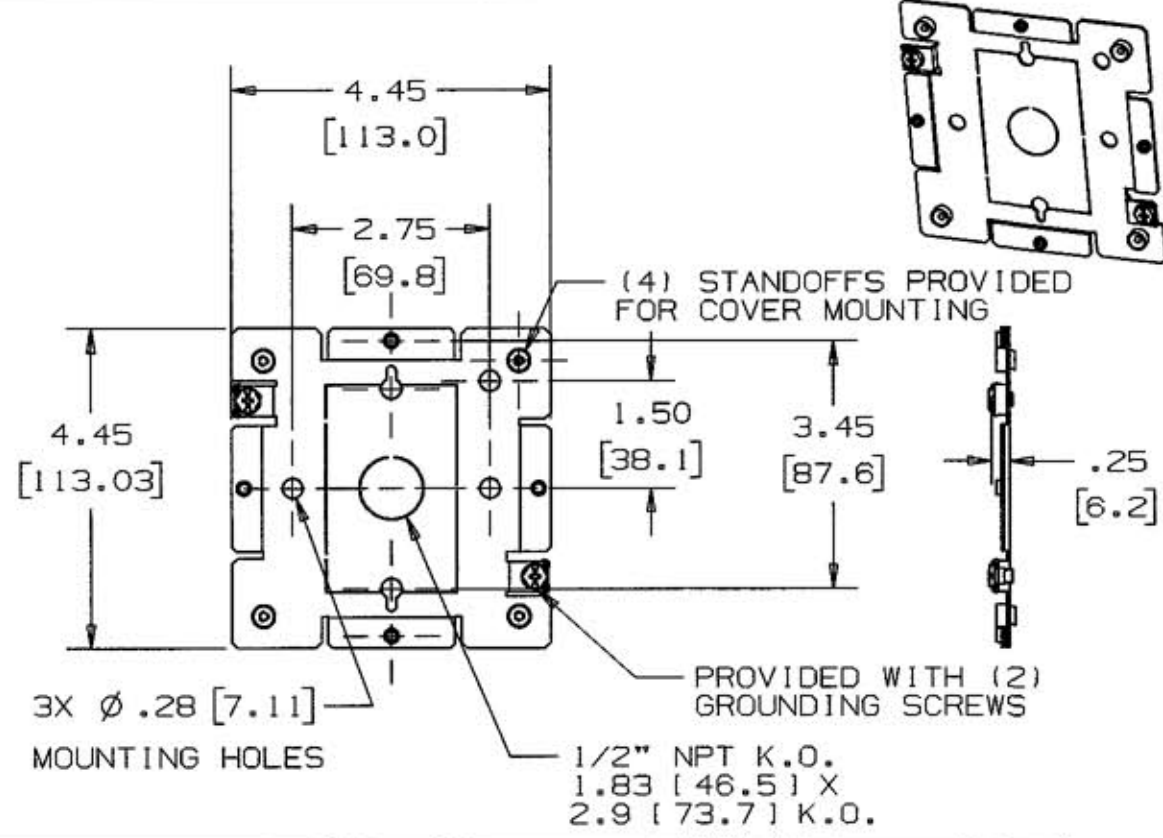
WHEN IN PLACE, EACH TUNNEL  
REDUCES BOX VOLUME BY  
3.8 IN<sup>3</sup> 62.6 cm<sup>3</sup>



CLAMP  
FOR USE WITH  
UNDIVIDED BOXES,  
(4) SUPPLIED



BOX BASE, DIVIDED  
CAT. NO. HBL2444D2AIV



BOX BASE, UNDIVIDED  
CAT. NO. HBL24442IV & HBL24482IV

NOTE: ALL DIMENSIONS IN INCHES  
AND [MM]

|     |                       |     |        |
|-----|-----------------------|-----|--------|
| 1   | RELEASED PER DCN13354 | SRE | 3/5/07 |
| SYM | REVISIONS             | APP | DATE   |

THE DESIGN AND DIMENSIONS OF THE  
PRODUCT SHOWN ON THIS DRAWING ARE  
SUBJECT TO CHANGE WITHOUT NOTICE

TITLE  
BOX COVERS & BASES  
TWO GANG  
HBL2400 & HBL2400D SERIES

|                                       |                                                           |                   |
|---------------------------------------|-----------------------------------------------------------|-------------------|
| TOLERANCES UNLESS OTHERWISE SPECIFIED | WIRING DEVICE-KELLEMS HUBBELL INCORPORATED BRIDGEPORT, CT |                   |
| FRACTIONS ± 1/64                      | DR. BY SRE                                                | APP. BY <i>fn</i> |
| DECIMALS ± .005                       | TR. BY                                                    | SCALE 1:1         |
| ANGLES ± 2°                           | CHK'D BY <i>fn</i>                                        | DATE 3/5/07       |