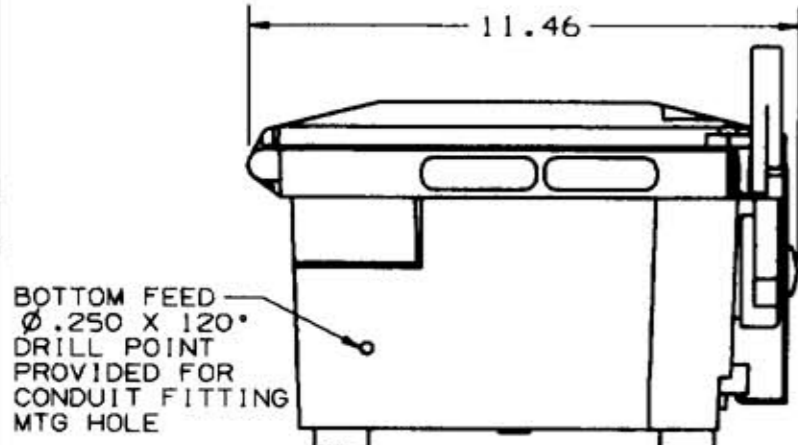
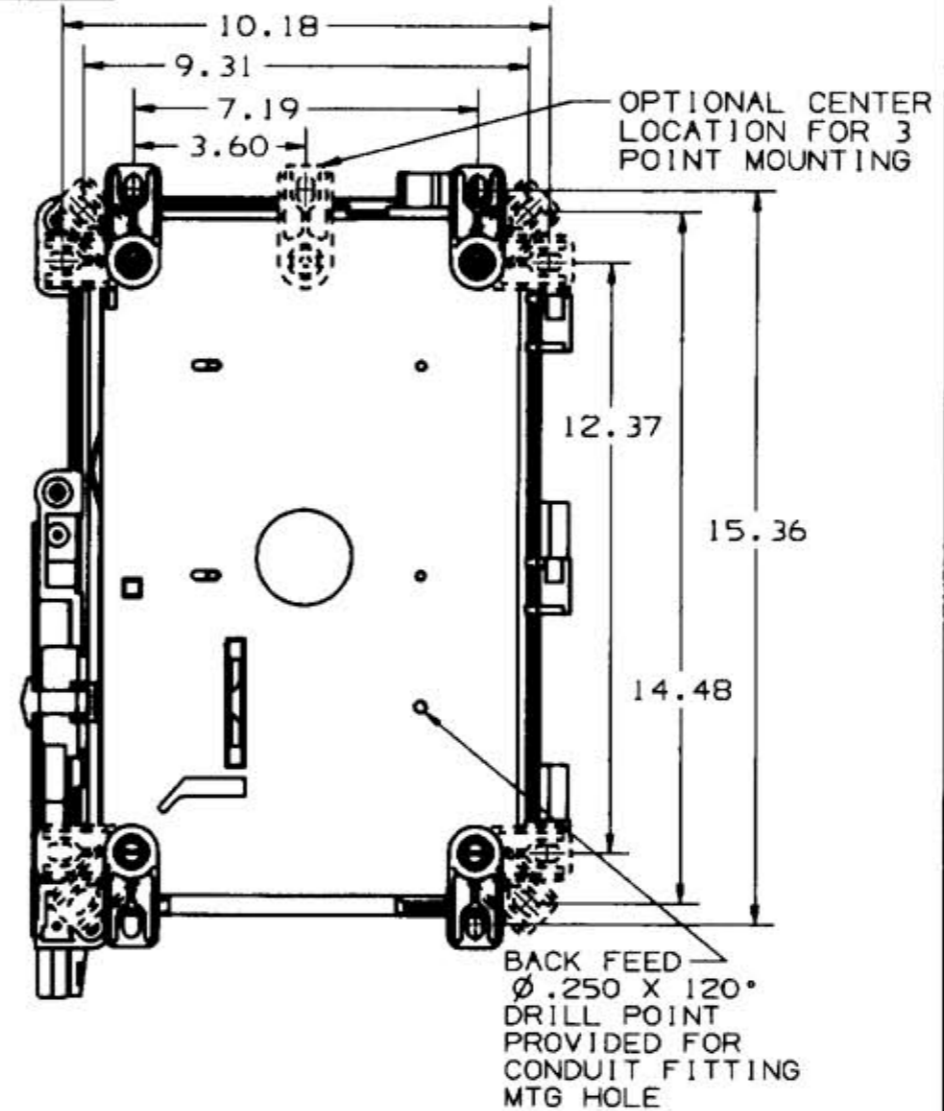
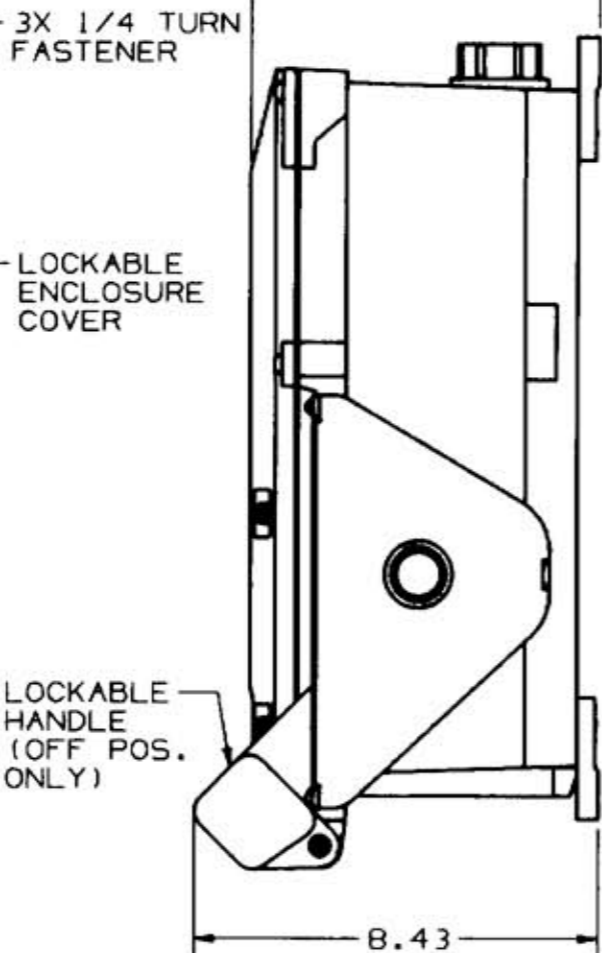
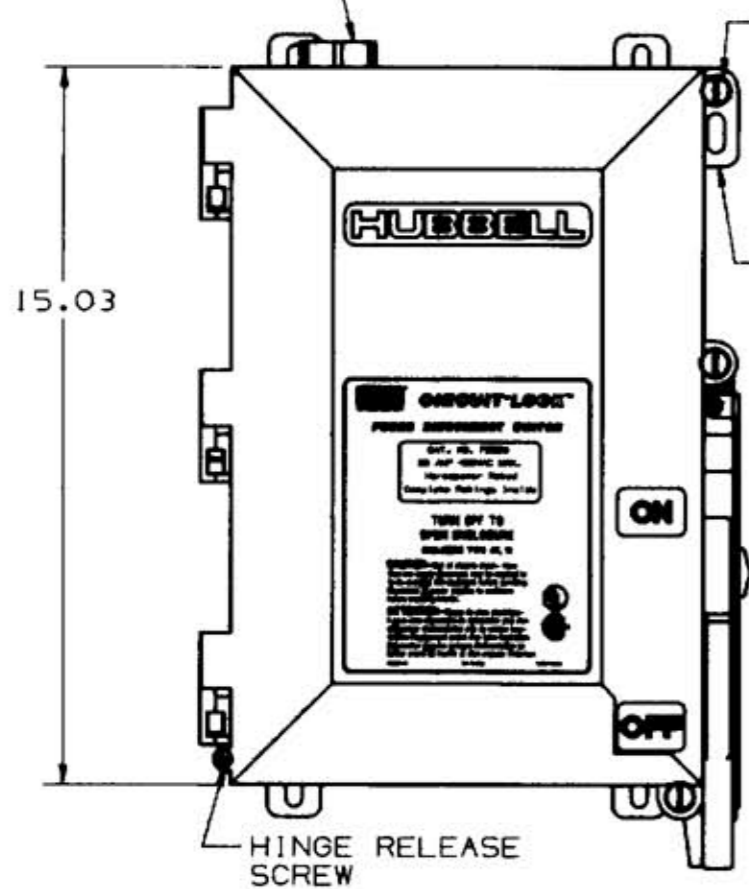


M-7125 1

2 CONDUIT FITTINGS SUPPLIED.
30A - 1" NPT, 60A - 1 1/4" NPT.
PROVISION FOR TOP, BOTTOM AND
BACK FEED. CUSTOMER TO DRILL OR
PIERCE CONDUIT MOUNTING HOLE.



NOTES: UNLESS OTHERWISE SPECIFIED,
1. ENCLOSURE TYPE OUTDOOR/INDOOR (4X WATERTIGHT, CORROSION RESISTANT) & INDOOR (12K DUSTTIGHT).
2. UL LISTED AND CSA CERTIFIED.

HORSEPOWER RATING				
CAT. No.	AMP RATINGS	VOLTS	STD HP	MAX. HP
FDS30	30 AMP 600VAC MAX	120VAC 1Ø	0.5	2.0
		208-240VAC 1Ø	1.5	3.0
		240VAC 3Ø	3.0	7.5
		480VAC 3Ø	5.0	15.0
		600VAC 3Ø	7.5	20.0
		120/208VAC 3ØY	3.0	5.0
		277/480VAC 3ØY	5.0	15.0
		347/600VAC 3ØY	7.5	20.0
FDS60	60 AMP 600VAC MAX	120VAC 1Ø	1.5	3.0
		208-240VAC 1Ø	3.0	7.5
		240VAC 3Ø	7.5	15.0
		480VAC 3Ø	15.0	30.0
		600VAC 3Ø	15.0	40.0
		120/208VAC 3ØY	7.5	15.0
		277/480VAC 3ØY	15.0	30.0
		347/600VAC 3ØY	15.0	40.0

LIST OF PARTS		
DESCRIPTION	MATERIAL	FINISH
ALL EXTERNAL	UV	
PLASTIC PARTS	STABILIZED	
	POLYESTER	
	BLEND	
ALL EXTERNAL	STAINLESS	
SCREWS	STEEL	
THREADED HUB	DIE CAST	
INSULATED THROAT	ZINC	

1	RELEASED PER DCN #1952	RCM	4/26/93
SYM	REVISIONS	APP	DATE

THE DESIGN AND DIMENSIONS OF THE PRODUCT SHOWN ON THIS DRAWING ARE SUBJECT TO CHANGE WITHOUT NOTICE

TITLE
DIMENSION SHEET FOR 30 & 60 AMP FUSED DISCONNECT SWITCH

TOLERANCES UNLESS OTHERWISE SPECIFIED	WIRING DEVICE DIVISION HUBBELL, INCORPORATED BRIDGEPORT, CT	
FRACTIONS ± 1/64	DR. BY RCM	APP. BY [Signature]
DECIMALS ± .005	TR. BY	SCALE 1:4
ANGLES ± 2°	CHK'D BY [Signature]	DATE 4/26/93

DIMENSION SHEET FOR CAT. NO. M-7125
 REPAIRABLE NON-REPAIRABLE B
 M-7125
 1