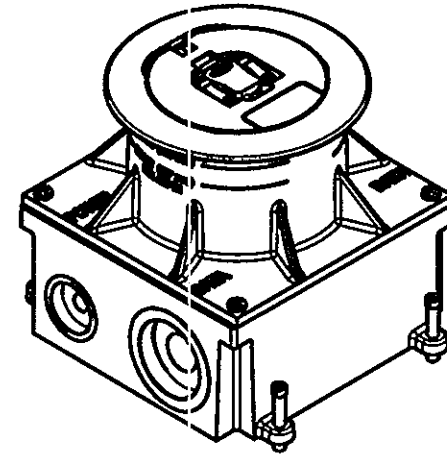
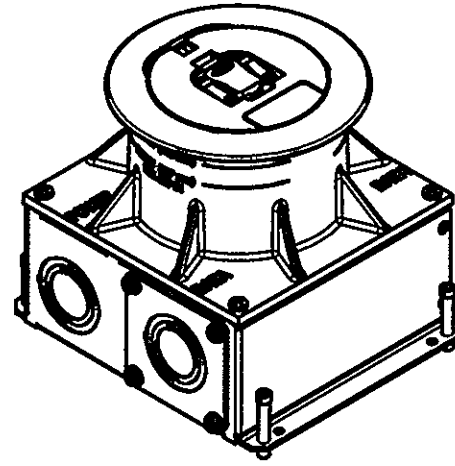
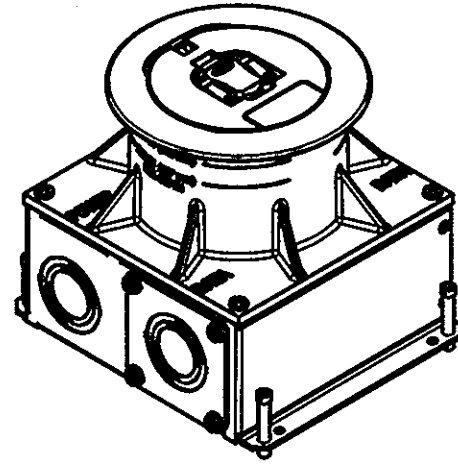
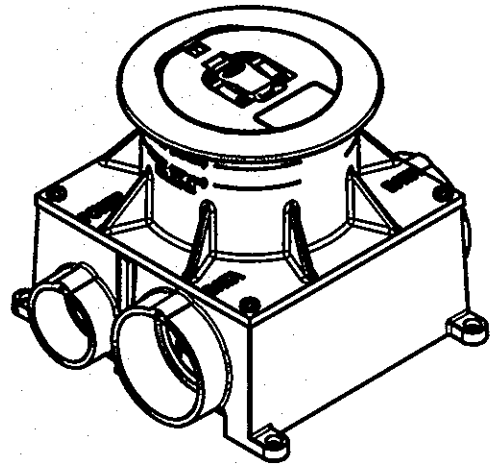




M-12866

1

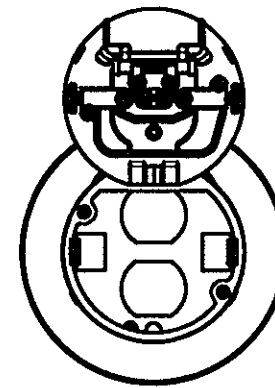
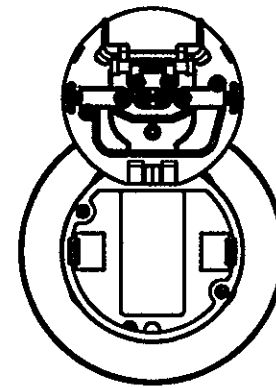
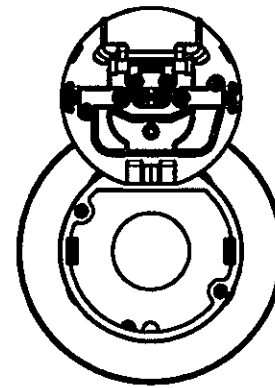
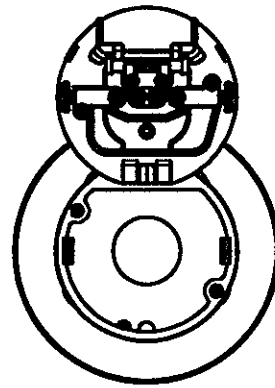
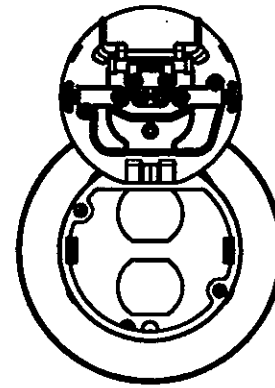
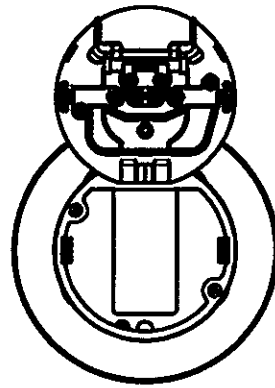
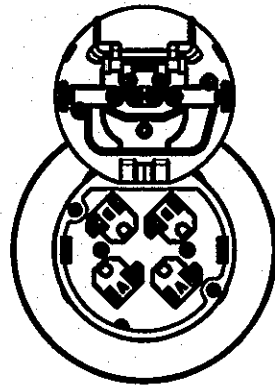


CFBS1R4PFB  
NON-METALLIC FLOOR BOX

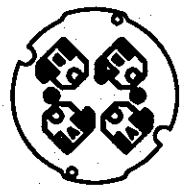
CFBS1R4SFB  
STAMPED STEEL FLOOR BOX

CFBS1R4SFBCR  
STAMPED STEEL FLOOR BOX  
PAINTED

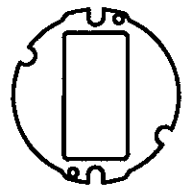
CFBS1R4CFB  
CAST IRON FLOOR BOX



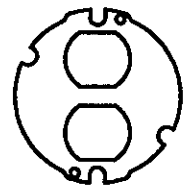
SHOWN BIRD'S EYE VIEW WITH COVER OPEN



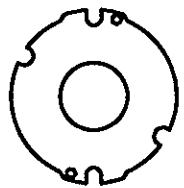
S1R4SPQUAD  
S1R4 SUB-PLATE  
20A QUAD  
RECEPTACLE  
(SINGLE SERVICE)



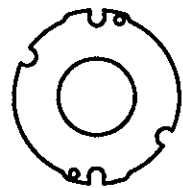
S1R4SPSTYLE  
S1R4 SUB-PLATE  
STYLELINE  
(SINGLE SERVICE)



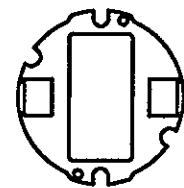
S1R4SPDUPLEX  
S1R4 SUB-PLATE  
DUPLEX  
(SINGLE SERVICE)



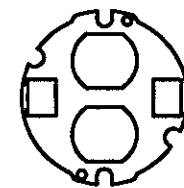
S1R4SPSIMPLEX  
S1R4 SUB-PLATE  
Ø1.40" SIMPLEX  
(SINGLE SERVICE)



S1R4SPTWIST  
S1R4 SUB-PLATE  
Ø1.56" TWIST LOCK  
(SINGLE SERVICE)



S1R4SP2X2STYLE  
S1R4 SUB-PLATE  
STYLELINE WITH  
2 KEYSTONE  
(MULTI-SERVICE)



S1R4SP2X2DUPLEX  
S1R4 SUB-PLATE  
DUPLEX WITH  
2 KEYSTONE  
(MULTI-SERVICE)

**CFBS1R4CUP REQUIRED FOR ALL APPLICATIONS, SOLD SEPARATELY.**

1	INITIAL RELEASE PER DCN 21188	SBW	6/16/2015
SYM	DESCRIPTION	APP	DATE

THE DESIGN AND DIMENSIONS OF THE PRODUCT SHOWN ON THIS DRAWING ARE SUBJECT TO CHANGE WITHOUT NOTICE

TITLE  
4 INCH RECESSED FLOOR BOX FAMILY

TOLERANCES UNLESS OTHERWISE SPECIFIED  
.XX = ± .01  
.XXX = ± .005  
ANGLES = ± 2°

WIRING DEVICE-KELLEMS  
HUBBELL INCORPORATED  
SHELTON, CT.

DR. BY	SBW	APP. BY	
TR. BY		SCALE	N.T.S.
CHK'D BY		DATE	5/1/2015