

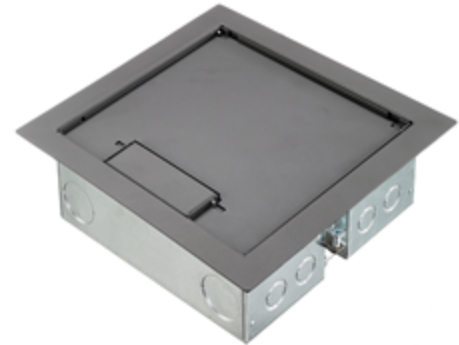
# Floor Boxes

## Unloaded Raised Access Floor Boxes



### Features

- Hinged cable egress port
- Pigtail terminates beneath raised floor
- Oversized opening provided with grommet for low-voltage



### Ordering Information

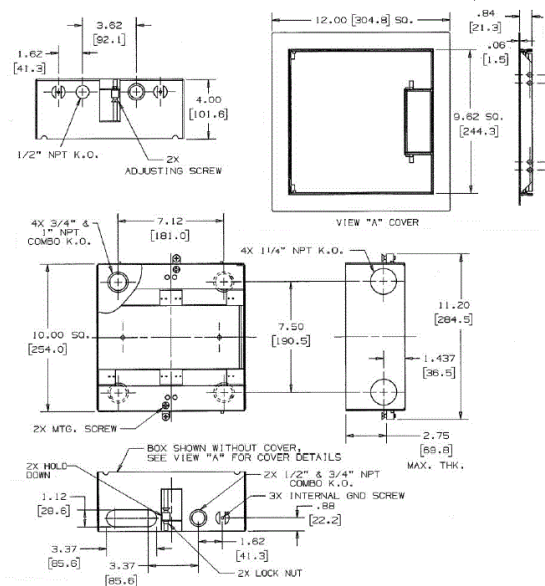
Description	Cover Color	UPC	Catalog Number
4-Gang Deep, Metallic	Gray	783585153001	AFB301GNT

### Listings

UL File #E197203  
CSA File #LR702145

### Specifications

Access Style	4-Gang Deep
Material	Stamped Steel
Max. Floor Thickness	2.75" (69.9)
Cubic Capacity	31.3 cu. in. (513 cm <sup>3</sup> )
Floor Tile Cut-Out	10.38" x 10.38"



### Online Resources

- Customer Use Drawing
- eCatalog
- Installation Instructions