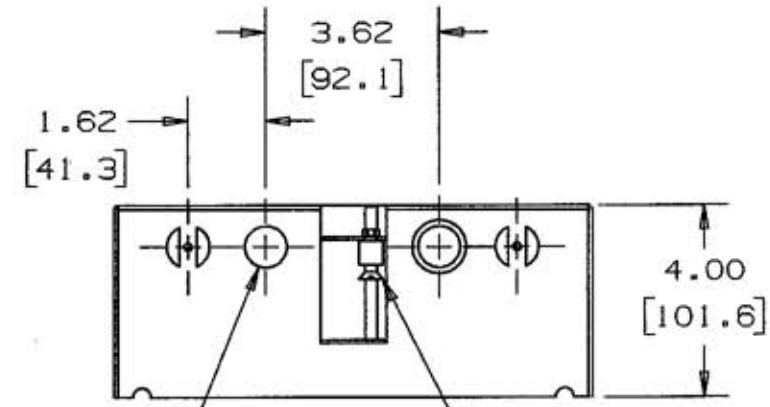


M-8601 5

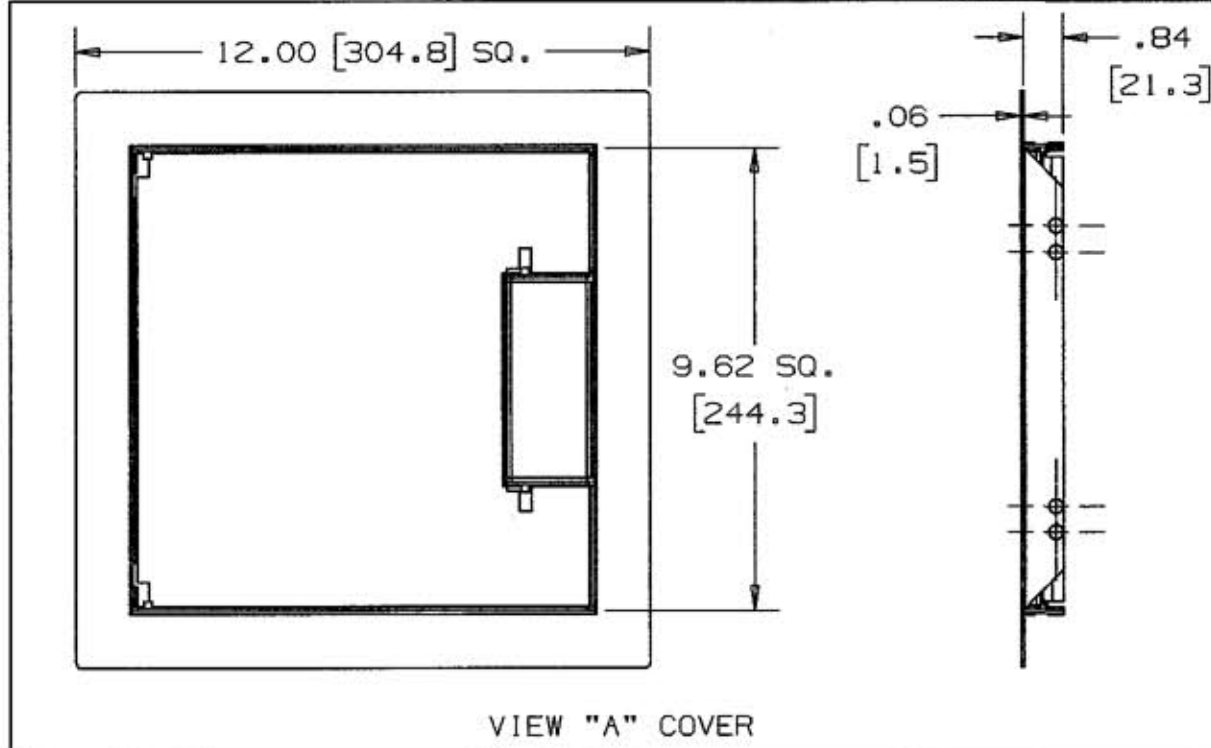
LIST OF PARTS

DESCRIPTION	MATERIAL	FINISH
BOX	STEEL .0625 THK	PRE-GALV.
FL. HD. ADJ. SCREW	STEEL	ZINC PL.
RD. HD. MTG. SCREW	STEEL	ZINC PL.
HOLD DOWN	ALUMINUM	
HEX LOCK NUT	STEEL	ZINC PL.
COVER	STEEL	PAINTED PRE-GALV.

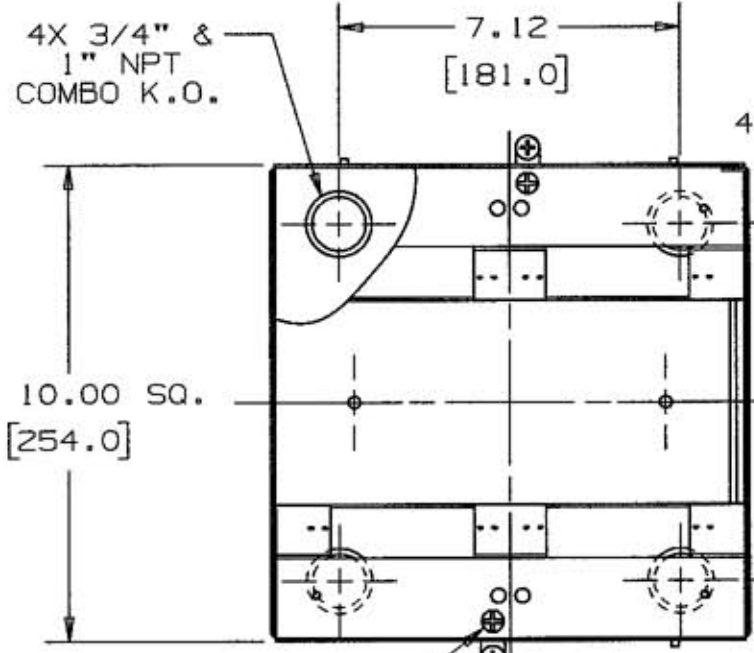
DIMENSION SHEET FOR CAT. NO. SEE TABLE



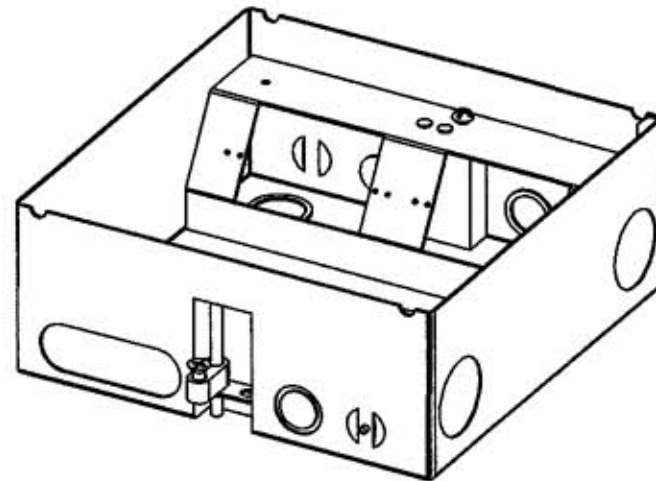
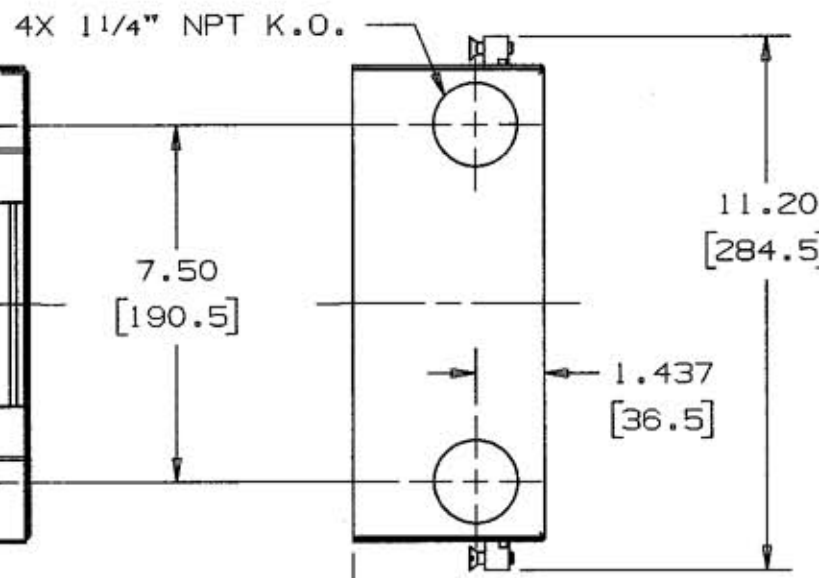
1/2" NPT K.O. 2X ADJUSTING SCREW



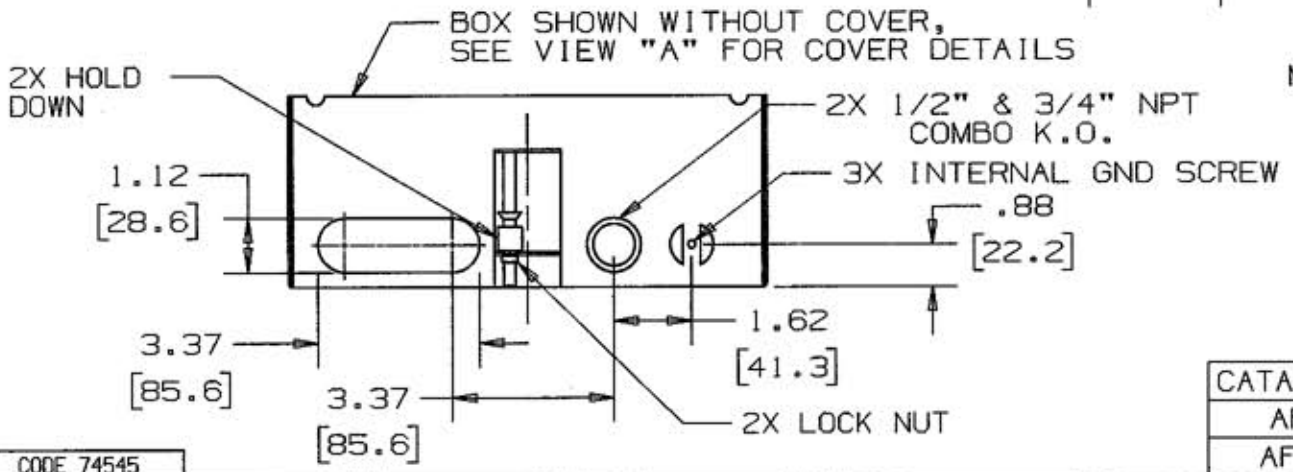
VIEW "A" COVER



4X 3/4" & 1" NPT COMBO K.O. 2X MTG. SCREW



ISOMETRIC VIEW SCALE: 1:4 (COVER NOT SHOWN)



BOX SHOWN WITHOUT COVER, SEE VIEW "A" FOR COVER DETAILS
 2X 1/2" & 3/4" NPT COMBO K.O.
 3X INTERNAL GND SCREW
 2X HOLD DOWN
 2X LOCK NUT

CATALOG NUMBER	COLOR OF COVER
AFB301BK	BLACK
AFB301GNT	GRANITE

DIM'S. INCHES [MM]

SYMBOL	REVISIONS	APP	DATE
5	ADDED ISOMETRIC VIEW; DIMS & SIDE VIEW RELOCATED; REMOVED NOTES PER DCN 14344 RCM	DJP	10/31/07
4	ADDED VIEW "A" WITH DETAILS. ADDED CALLOUT "BOX SHOWN WITHOUT COVER, SEE VIEW "A" FOR COVER DETAILS". REMOVED NOTE 4. ADDED TABLE. UPDATED TITLE. PER DCN 13324 SPN	JPP	8/14/06
3	REVISED VIEW OF BOX SHOWING NEW DESIGN; ADDED & RELOCATED K.O.'S; REMOVED NOTE 1; REVISED NOTE 4 PER DCN 13264 RCM	JPP	7/27/06
2	CHANGED KO SIZE FROM DECIMAL TO FRACTION. CHANGED NOTE-1 REMOV. HUBBELL CANADA #9171	JVD	12-18-01 PAC
1	INITIAL RELEASE #8998		9-20-01

REPAIRABLE NON-REPAIRABLE

B

THE DESIGN AND DIMENSIONS OF THE PRODUCT SHOWN ON THIS DRAWING ARE SUBJECT TO CHANGE WITHOUT NOTICE

TITLE
 RAISED ACCESS FLOOR BOX & COVER
 STAMPED STEEL, 4 GANG, DEEP

TOLERANCES UNLESS OTHERWISE SPECIFIED FRACTIONS ± 1/64 DECIMALS ± .005 ANGLES ± 2°	WIRING DEVICE-KELLEMS HUBBELL INCORPORATED BRIDGEPORT, CT	
	DR. BY PAC	APP. BY
	TR. BY	SCALE 1:4
	CHK'D BY JVD	DATE 9-20-01

M-8601

5