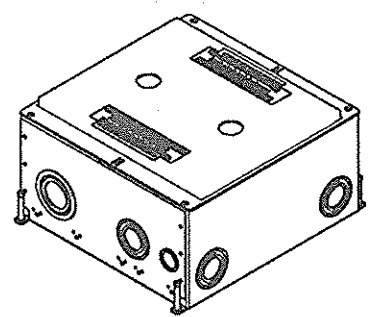
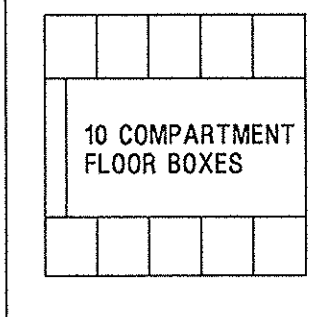
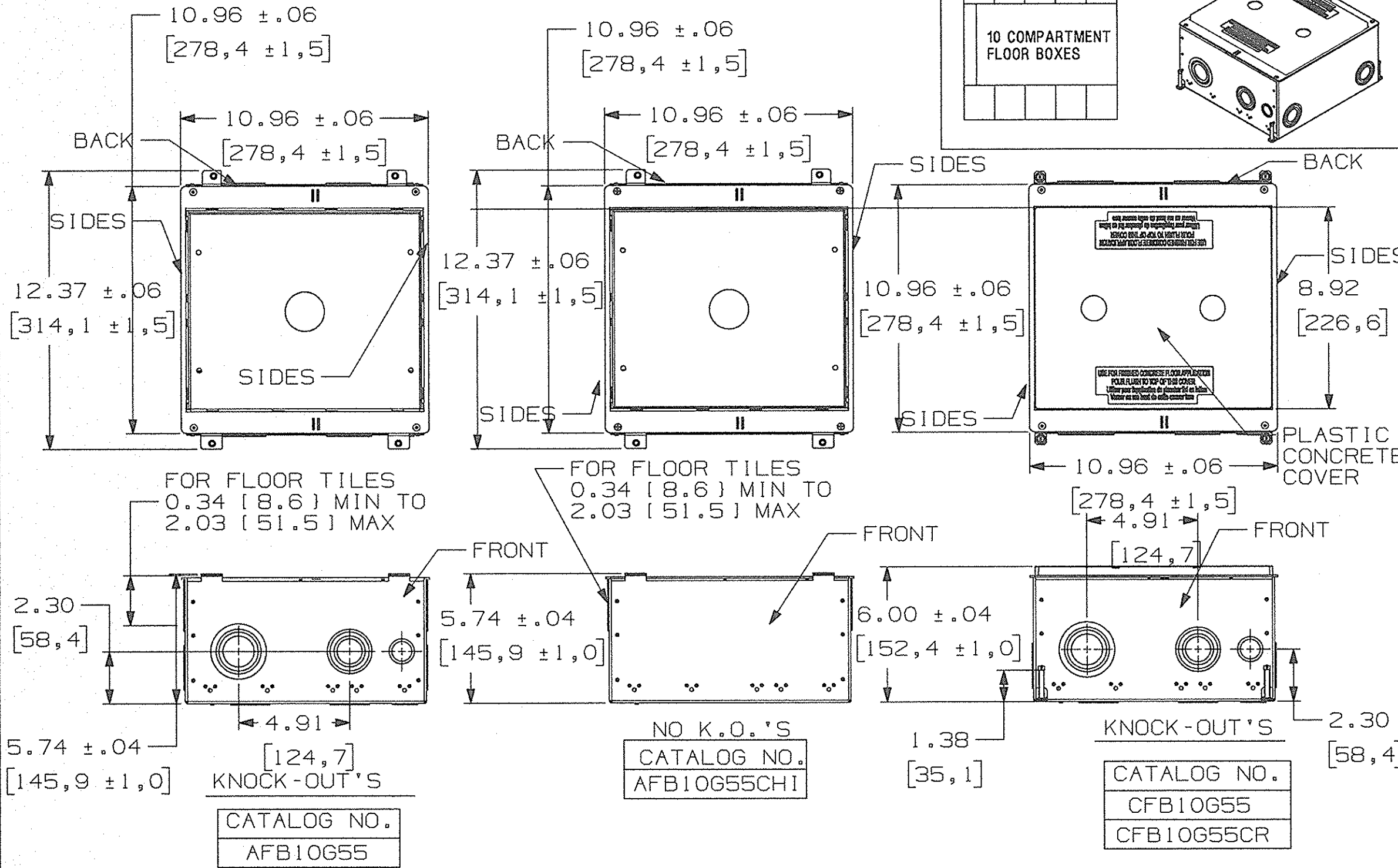


M-12141 4



LIST OF PARTS		
DESCRIPTION	MATERIAL	FINISH
FLOOR BOX	STEEL	PRE-GALVANIZED
WIRE BARRIER	STEEL	PRE-GALVANIZED
#6-32 BINDING SCREW	CRS	ZINC PLATE
TOP MOUNTING ASSY.	STEEL	ZINC PLATE
#8-32 FLAT HEAD SCREW	CRS	ZINC PLATE
#12 AWG GROUND WIRE & SCR ASSY.	COPPER	
PRE-POUR LEVELING SCREW	STEEL WIRE	ZINC PLATE
METAL CONCRETE COVER	STEEL	PRE-GALVANIZED
DIVIDER	PET	
PLASTIC CONCRETE COVER	POLYPROPYLENE	

SYM	REVISIONS	APP	DATE
4	09/16/14 UPDATED KO TABLES ON FLOOR BOXES PER DCN 20784 CAC	CAC	09/16/14
3	06/10/14 UPDATED BOXES ADDED 10 COMPARTMENT FLOOR BOXES PER DCN 20574 CAC		06/09/14
2	10/07/13 UPDATED BOXES & KO SIZES PER DCN 20073 CAC		10/07/13
1	1/19/12 RELEASE FOR PRODUCTION PER DCN 18427 MJM TLS	TLS	1/19/12

K.O. TRADE SIZE	LOCATION	QTY
1/2, 3/4	FRONT	1
3/4, 1, 1-1/4, 1-1/2	FRONT	1
1, 1-1/4, 1-1/2, 2	FRONT	1
1/2, 3/4	BACK	1
3/4, 1, 1-1/4, 1-1/2	BACK	1
1, 1-1/4, 1-1/2, 2	BACK	1
1/2, 3/4, 1, 1-1/4	BOTTOM	4
3/4, 1, 1-1/4, 1-1/2	SIDES	4

K.O. TRADE SIZE	LOCATION	QTY
1/2, 3/4	FRONT	1
3/4, 1, 1-1/4, 1-1/2	FRONT	1
1, 1-1/4, 1-1/2, 2	FRONT	1
1/2, 3/4	BACK	1
3/4, 1, 1-1/4, 1-1/2	BACK	1
1, 1-1/4, 1-1/2, 2	BACK	1
1/2, 3/4, 1, 1-1/4	BOTTOM	4
3/4, 1, 1-1/4, 1-1/2	SIDES	4

THE DESIGN AND DIMENSIONS OF THE PRODUCT SHOWN ON THIS DRAWING ARE SUBJECT TO CHANGE WITHOUT NOTICE

TITLE
**10 GANG BOX ASSY.
 AFB DEEP & CONCRETE**

TOLERANCES UNLESS OTHERWISE SPECIFIED
 .XX = ±.01
 .XXX = ±.005
 ANGLES = ±2°

WIRING DEVICE-KELLEMS HUBBELL INCORPORATED SHELTON, CT

DR. BY MJM	APP. BY
TR. BY	SCALE 1/4
CHK. BY	DATE 1/11/12

DIMENSION SHEET FOR CAT. NO. SEE FIELD OF DRAWING REPAIRABLE NON-REPAIRABLE M-12141 4