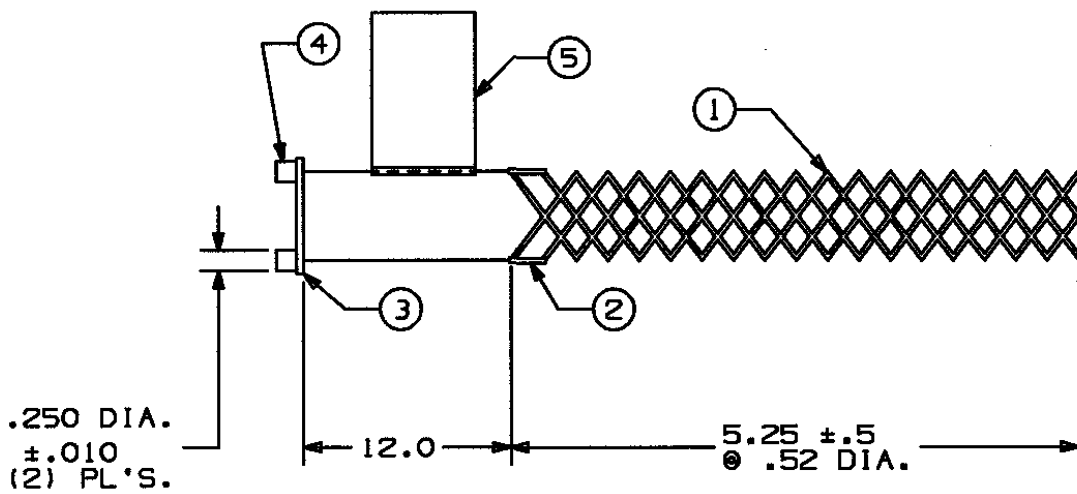


COMPONENT LIST

ITEM NO.	DESCRIPTION	MAT'L	COMPONENT NO.	QTY.
1	STRAND	T-BRZ	302-74-067	5
2	EQUALIZER	BRZ	362-47-001	2
3	LINK	BRZ	372-55-001	1
4	LUG	BRZ	462-52-003	2
5	TAG	MYLAR		1



IN ACCEPTING OUR DRAWINGS OR BLUEPRINTS FOR QUOTATION OR OTHER PURPOSES, YOU AGREE NOT TO DISCLOSE TO OTHERS THE IDEAS, INFORMATION, OR DESIGNS THEREIN SHOWN, AND THAT YOU WILL MAKE NO USE OF OUR DRAWINGS OR BLUEPRINTS OR OF THE IDEAS, INFORMATION, OR DESIGNS THEREIN SHOWN WITHOUT OUR PERMISSION.

TITLE GRIP-STANDARD SERVICE DROP
 CLOSED MESH - SINGLE WEAVE
 UNIVERSAL BALE DIA. RA. .46-.56
 DESCRIPTION: SU-8
 APP. BRK. STR. (LBS.) = 660

TOLERANCES UNLESS OTHERWISE SPECIFIED
 .X = ±.5
 .XX = ±.05
 .XXX = ±.015
 ANGLE TOL. ± 2°

HUBBELL INCORPORATED
 KELLEMS DIVISION
 STONINGTON, CT

PROJECT NO.	DR. BY KJW	APP. BY MLF
	TR. BY	SCALE NONE
	CHK. BY JLW	DATE 3/01/93

DR. NO.	REV.
022-16-020	K