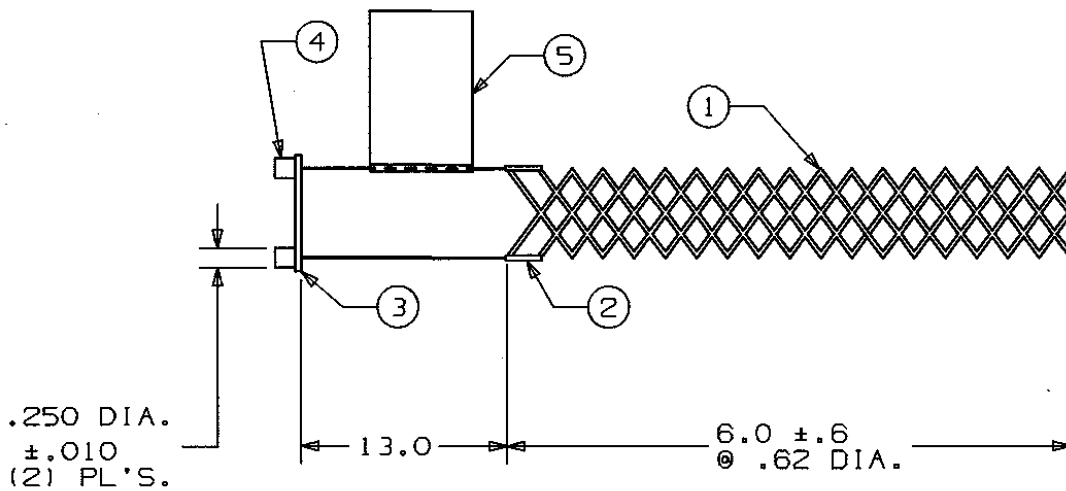


COMPONENT LIST

| ITEM NO. | DESCRIPTION | MAT'L | COMPONENT NO. | QTY. |
|----------|---------------|-------------|---------------|------|
| 1 | STRAND | GALV. STEEL | 373-01-003 | |
| 2 | STRAND EQUAL. | BRZ | 362-47-001 | 2 |
| 3 | LINK | BRZ | 372-55-001 | 1 |
| 4 | LUG | BRZ | 372-56-004 | 2 |
| 5 | TAG | MYLAR | | 1 |
| | | | | |
| | | | | |
| | | | | |
| | | | | |
| | | | | |



IN ACCEPTING OUR DRAWINGS OR BLUEPRINTS FOR QUOTATION OR OTHER PURPOSES, YOU AGREE NOT TO DISCLOSE TO OTHERS THE IDEAS, INFORMATION, OR DESIGNS THEREIN SHOWN, AND THAT YOU WILL MAKE NO USE OF OUR DRAWINGS OR BLUEPRINTS OR OF THE IDEAS, INFORMATION, OR DESIGNS THEREIN SHOWN WITHOUT OUR PERMISSION.

TITLEGRIP-BUS DROP-GALV. STEEL
 CLOSED MESH - SINGLE WEAVE
 UNIVERSAL BALE DIA. RA. .56-.73
 DESCRIPTION: BU-053
 APP. BRK. STR. (LBS.) = 1000

TOLERANCES UNLESS OTHERWISE SPECIFIED

.X = ±.5
 .XX = ±.05
 .XXX = ±.015

ANGLE TOL. ± 2°

HUBBELL INCORPORATED
 KELLEMS DIVISION
 STONINGTON, CT

DR. BY KJW APP. BY MLF

PROJECT NO. TR. BY SCALE NONE

CHK. BY DATE 3/01/93

| | |
|-------------|------|
| DR. NO. | REV. |
| 073-04-1286 | G |