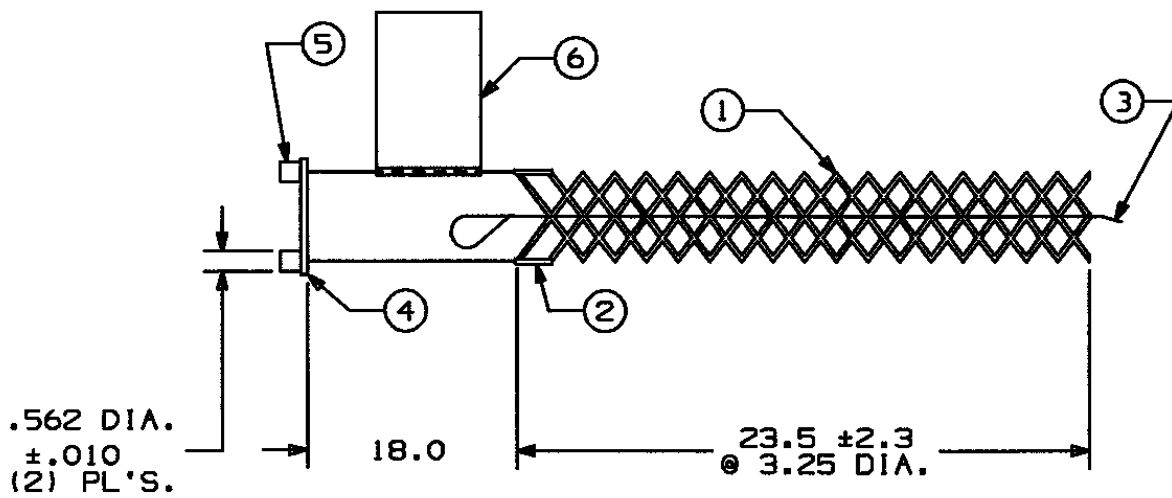


COMPONENT LIST

ITEM NO.	DESCRIPTION	MAT'L	COMPONENT NO.	QTY.
1	STRAND	T.BRZ	302-74-101	10
2	EQUALIZER	SST	304-48-011	2
3	ROD	SST	304-53-019	1
4	LINK	BRZ	462-48-007	1
5	LUG	BRZ	372-56-023	2
6	TAG	PLASTIC		1



IN ACCEPTING OUR DRAWINGS OR BLUEPRINTS FOR QUOTATION OR OTHER PURPOSES, YOU AGREE NOT TO DISCLOSE TO OTHERS THE IDEAS, INFORMATION, OR DESIGNS THEREIN SHOWN, AND THAT YOU WILL MAKE NO USE OF OUR DRAWINGS OR BLUEPRINTS OR OF THE IDEAS, INFORMATION, OR DESIGNS THEREIN SHOWN WITHOUT OUR PERMISSION.

TITLE
GRIP - STANDARD SUPPORT - T.BRZ
SPLIT MESH, ROD CLOSING, SINGLE WEAVE
UNIVERSAL BALE, DIA. RA. 3.00-3.50
DESCRIPTION: RRU 300-18"
APP. BRK. STR. (LBS.) = 5750

TOLERANCES UNLESS OTHERWISE SPECIFIED
.X = ±.5
.XX = ±.05
.XXX = ±.015
ANGLE TOL. ± 2°

HUBBELL INCORPORATED
KELLEMS DIVISION
STONINGTON, CT

DR. BY KJW	APP. BY MLF
TR. BY	SCALE NONE
CHK. BY JLW	DATE 3/19/93

DR. NO. 022-03-074	REV. R
---------------------------	---------------