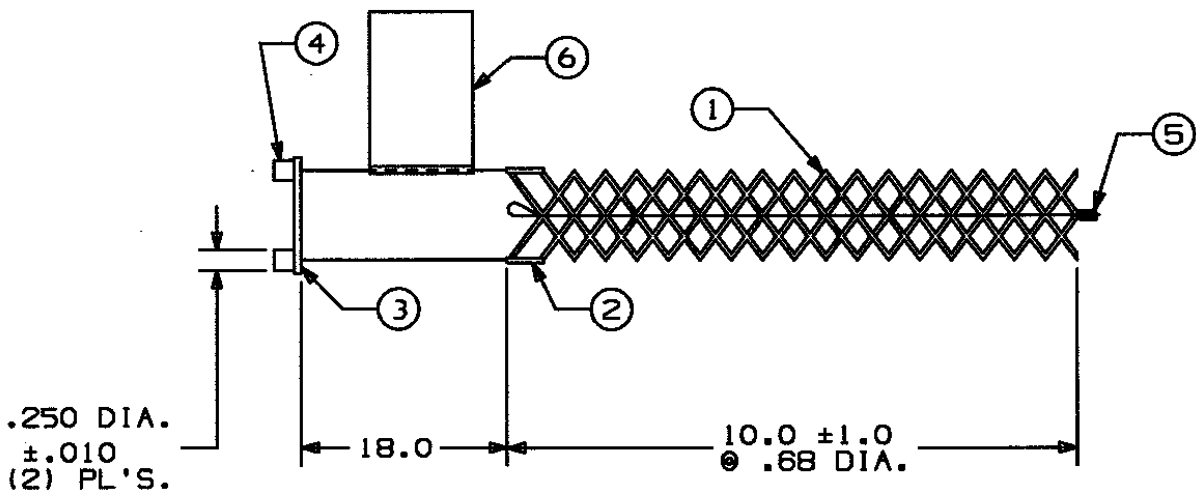


COMPONENT LIST

ITEM NO.	DESCRIPTION	MAT'L	COMPONENT NO.	QTY.
1	STRAND	T-BRZ	302-74-070	6
2	EQUALIZER	BRZ	362-47-002	2
3	LINK	BRZ	372-55-001	1
4	LUG	BRZ	372-56-007	2
5	LACE	T-BRZ	302-74-001	1
6	TAG	MYLAR		1



IN ACCEPTING OUR DRAWINGS OR BLUEPRINTS FOR QUOTATION OR OTHER PURPOSES, YOU AGREE NOT TO DISCLOSE TO OTHERS THE IDEAS, INFORMATION, OR DESIGNS THEREIN SHOWN, AND THAT YOU WILL MAKE NO USE OF OUR DRAWINGS OR BLUEPRINTS OR OF THE IDEAS, INFORMATION, OR DESIGNS THEREIN SHOWN WITHOUT OUR PERMISSION.

TITLE GRIP-STANDARD SUPPORT
SPLIT-LACE CLOSING, SINGLE WEAVE
UNIVERSAL BALE DIA. RA. .63-.74
DESCRIPTION: RSU-062-18
APP. BRK. STR. (LBS.) = 790

TOLERANCES UNLESS OTHERWISE SPECIFIED
.X = ±.5
.XX = ±.05
.XXX = ±.015
ANGLE TOL. ± 2°

HUBBELL INCORPORATED
KELLEMS DIVISION
STONINGTON, CT

DR. BY KJW	APP. BY MLF
TR. BY	SCALE NONE
CHK. BY TCM	DATE 3/01/93

DR. NO.

022-02-051

REV.

J

SHEET

OF