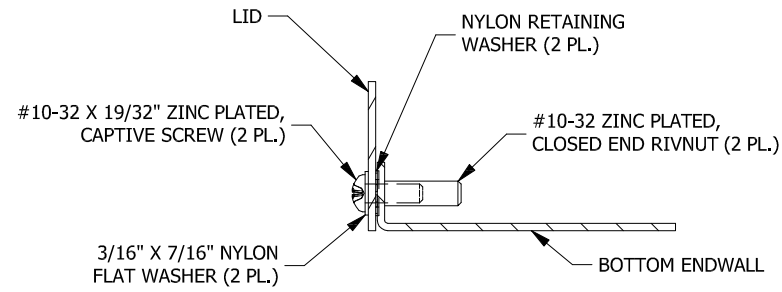
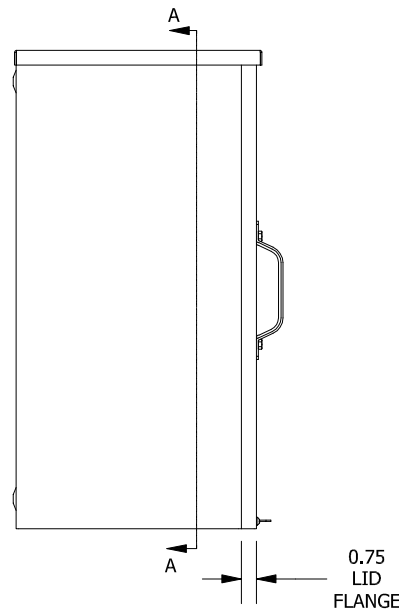
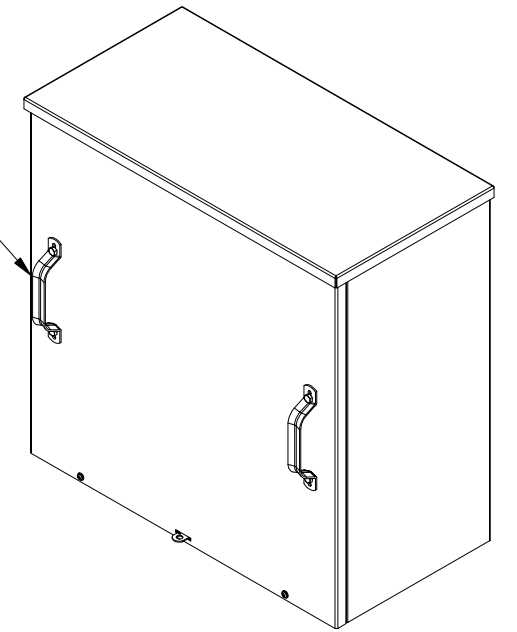


TOP VIEW

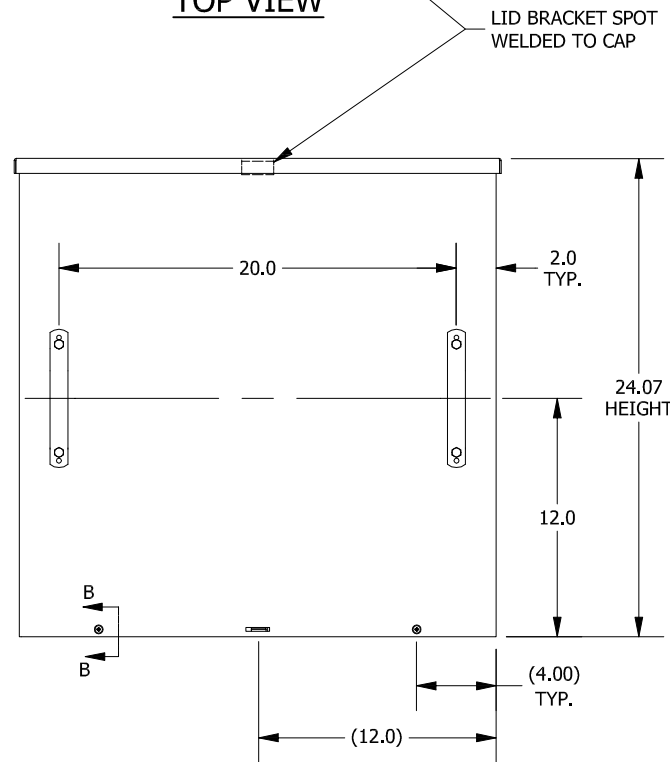


**SECTION B-B
(LID ATTACHMENT DETAIL)**

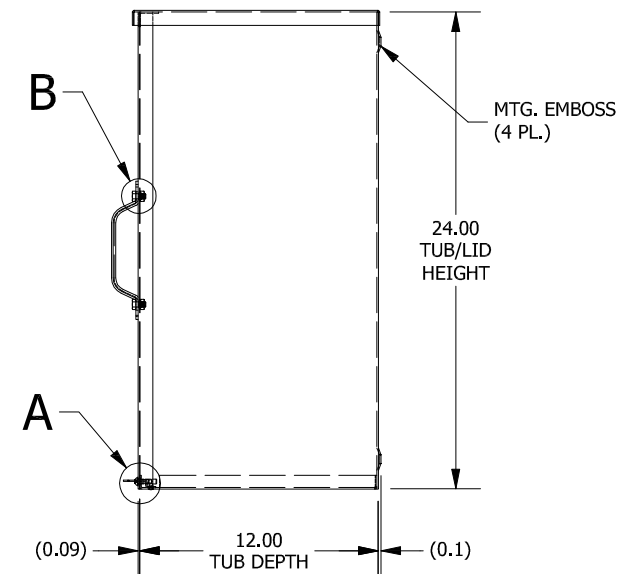
DOOR HANDLES
INSTALLED (2 PL.)



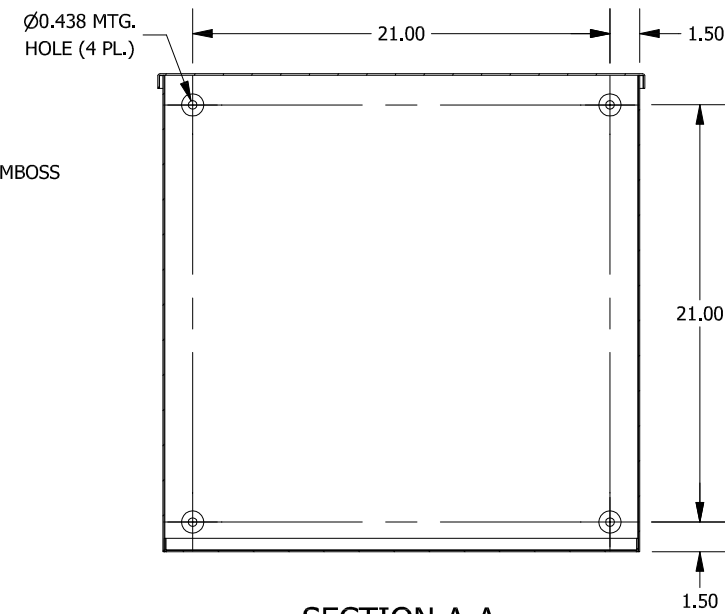
LEFT SIDE VIEW



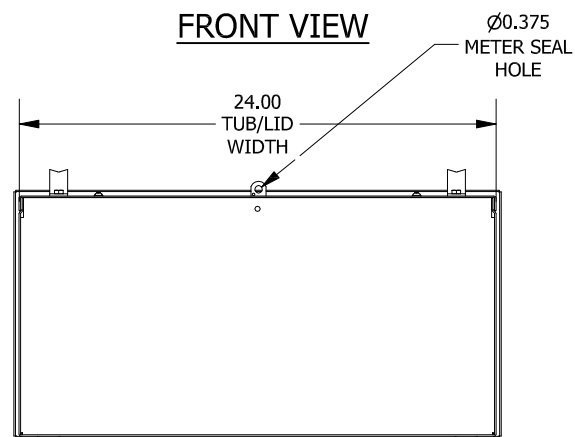
FRONT VIEW



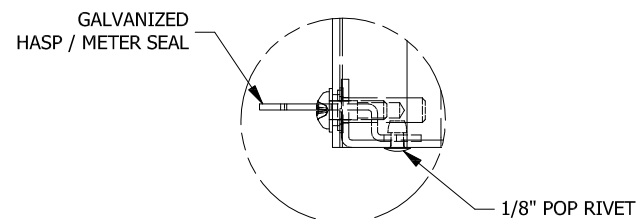
RIGHT SIDE VIEW



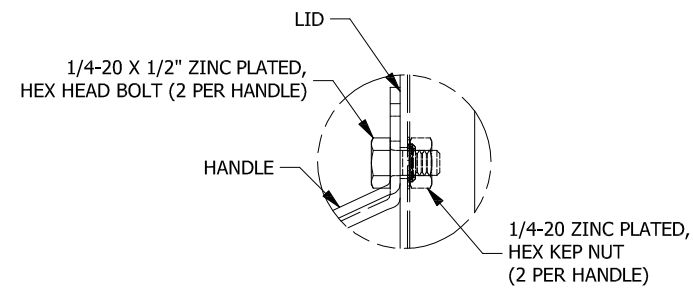
**SECTION A-A
(INSIDE BACK OF ENCL.)**



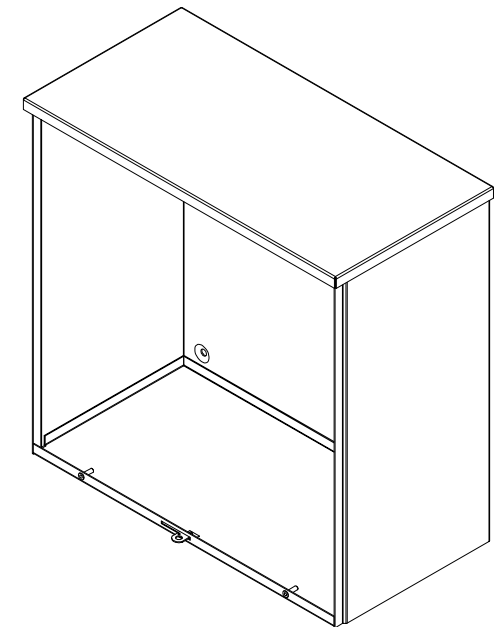
BOTTOM VIEW



**DETAIL A
(METER SEAL DETAIL)**



**DETAIL B
(HANDLE INSTALL DETAIL)**



PART#: WCT242412
(DATA SUBJECT TO CHANGE WITHOUT NOTICE)

THIS DRAWING IS PROPERTY OF HUBBELL INC. WIEGMANN
ALL INFORMATION IS PROPRIETARY AND NOT TO BE DUPLICATED