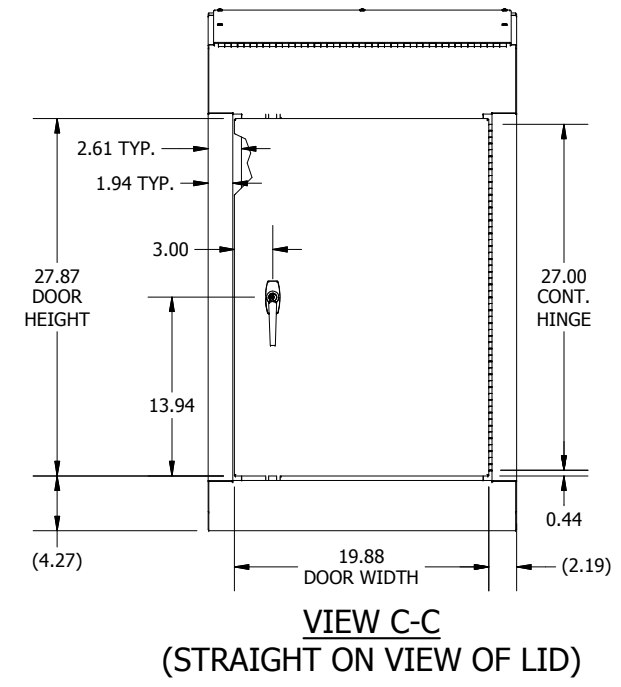
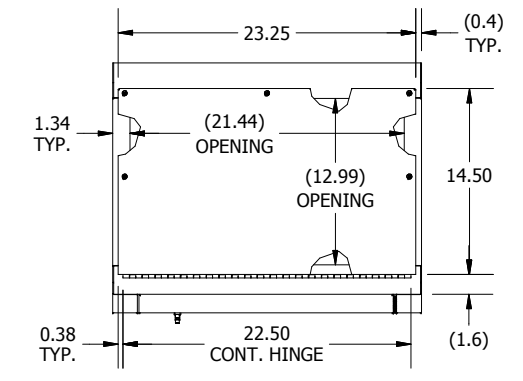
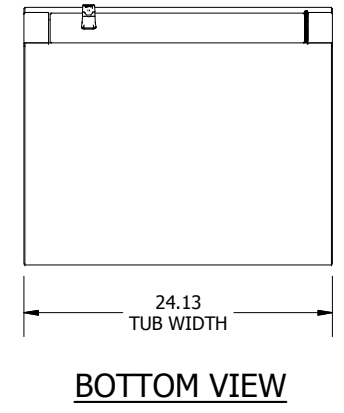
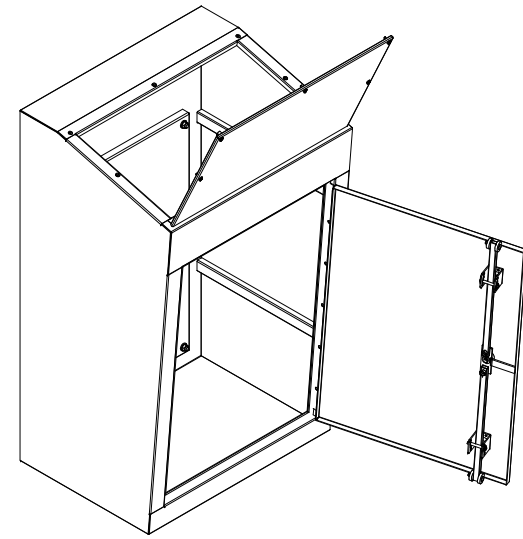
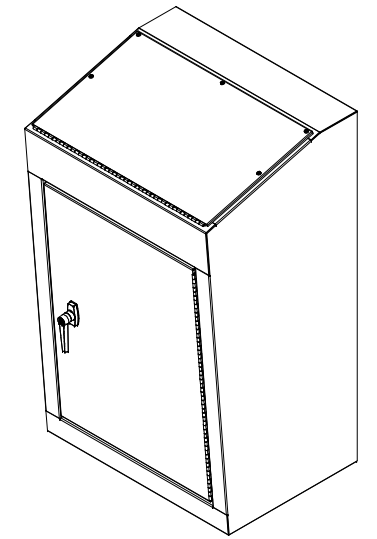
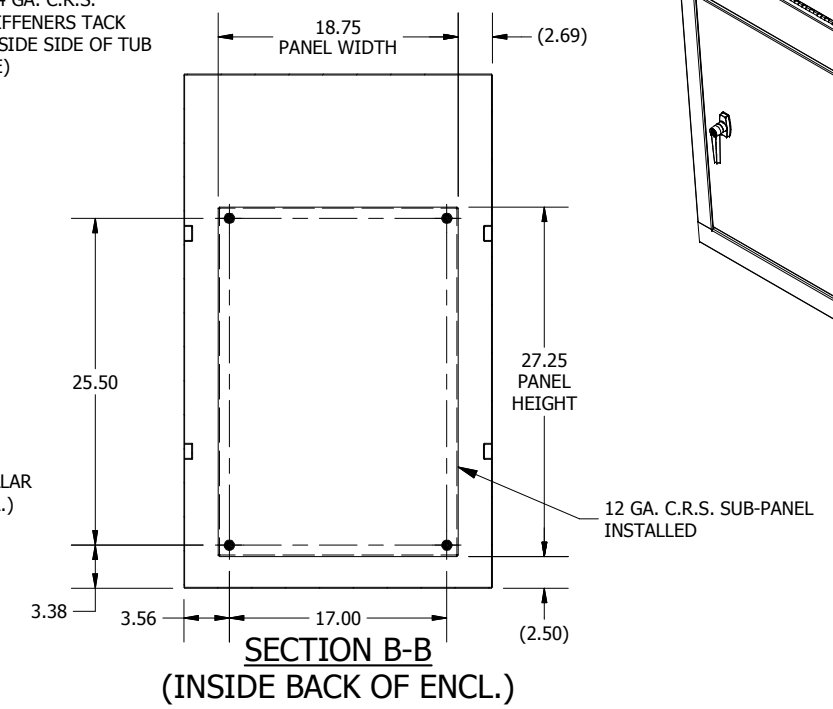
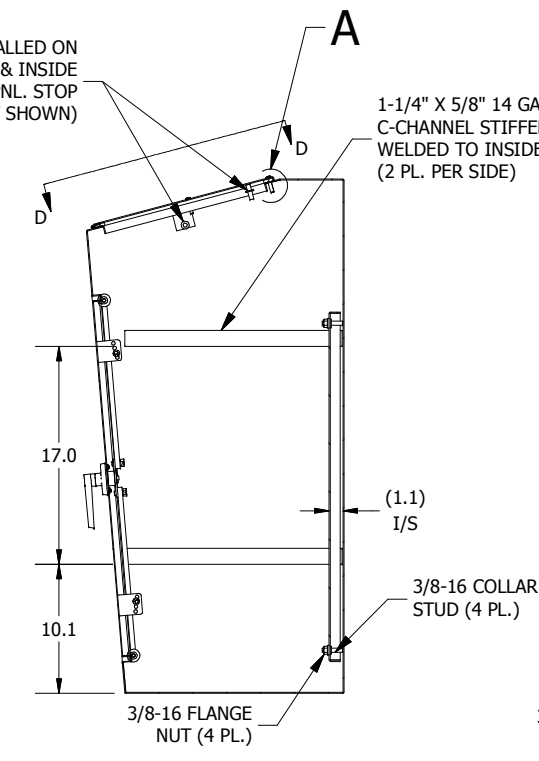


3/8-16 COLLAR STUD INSTALLED ON INSIDE FACE OF CONTROL PNL. & INSIDE LEFT OF TUB FOR INSTALLING PNL. STOP CHAIN (CHAIN INSTALLED, NOT SHOWN)



**PART #: WC10B
(DATA SUBJECT TO CHANGE WITHOUT NOTICE)**