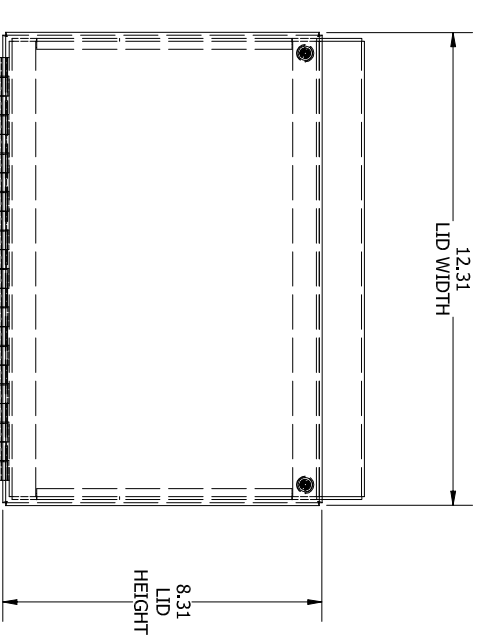
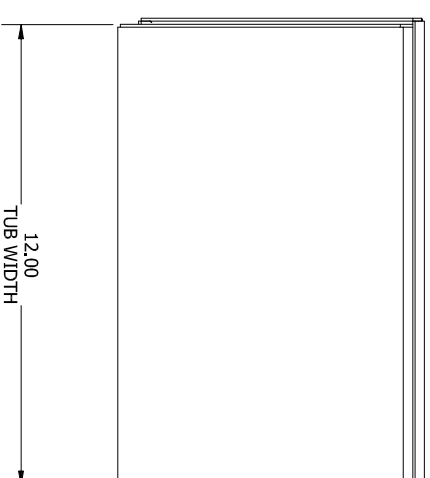
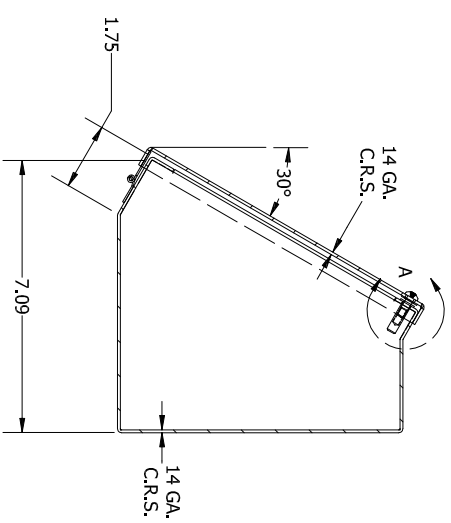
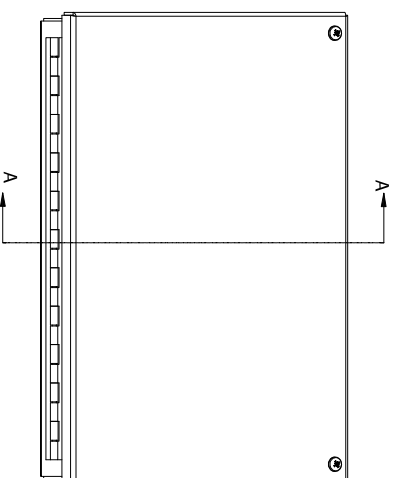
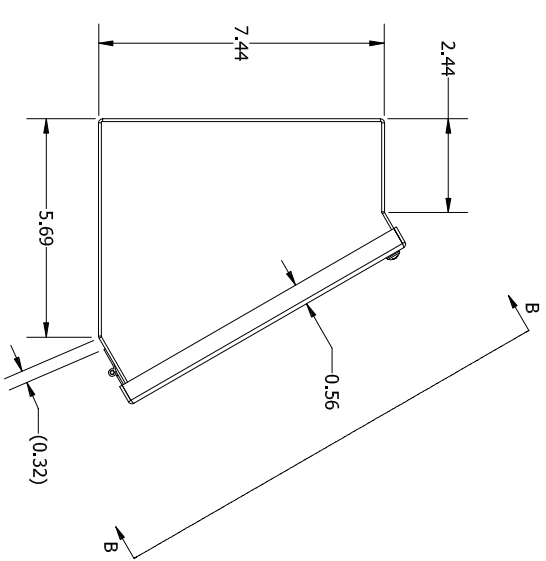


**VIEW B-B
(LID ASSM. REMOVED)**

**DETAIL A (2 PL.)
(LID ATTACHMENT DETAIL)**



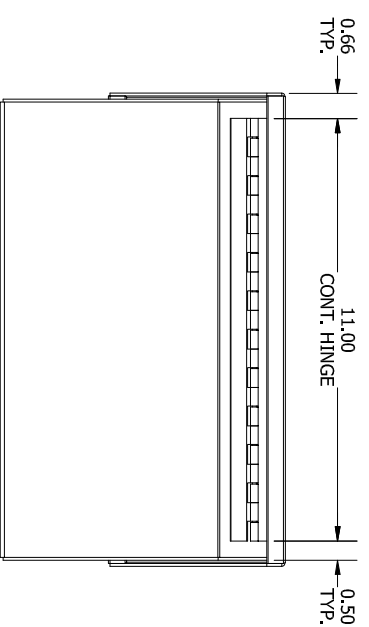
LEFT SIDE VIEW

FRONT VIEW

**SECTION A-A VIEW
(INSIDE LEFT OF ENCL.)**

BOTTOM VIEW

**SECTION B-B
(STRAIGHT AHEAD VIEW OF LID)**



REAR VIEW

PART#: WC08C12
(DATA SUBJECT TO CHANGE WITHOUT NOTICE)

THIS DRAWING IS PROPERTY OF HUBBELL INC. WIEGMANN
ALL INFORMATION IS PROPRIETARY AND NOT TO BE DUPLICATED