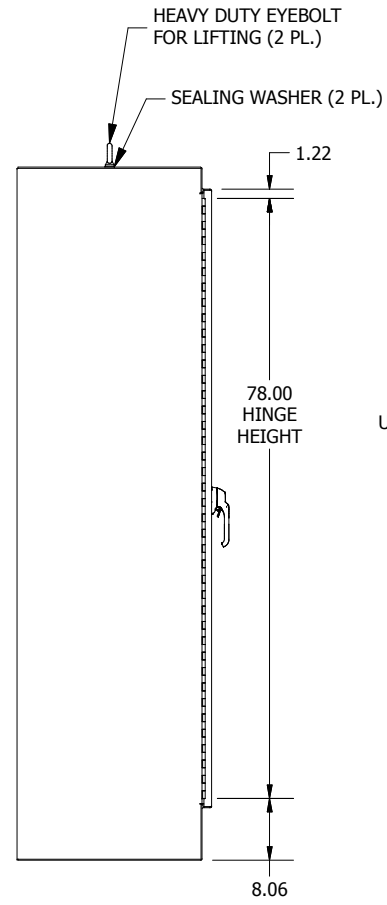
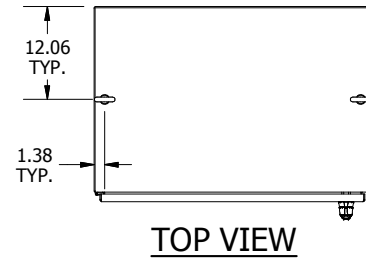
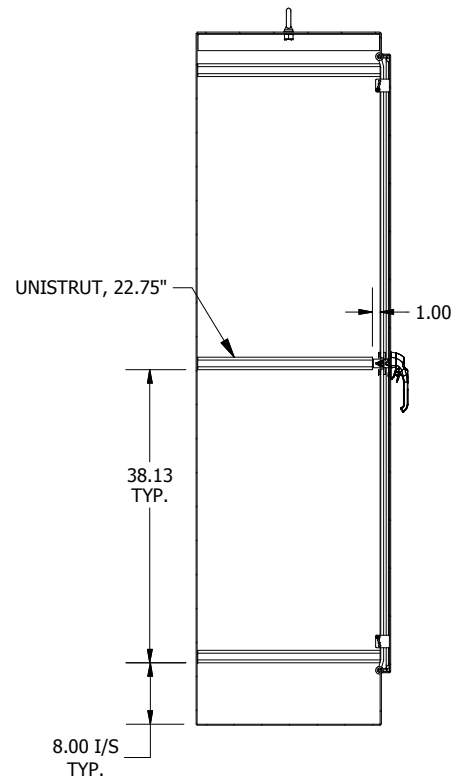


PART#: WA903624FS
(DATA SUBJECT TO CHANGE WITHOUT NOTICE)

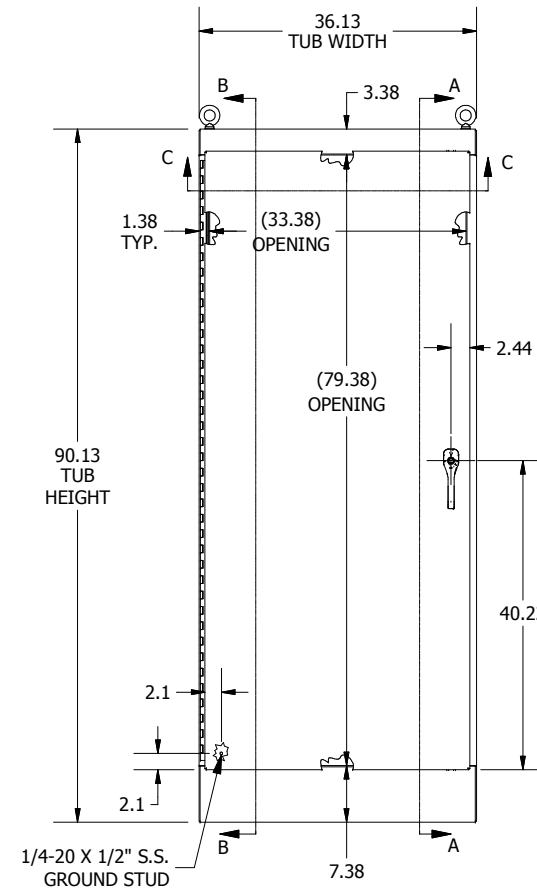
THIS DRAWING IS PROPERTY OF HUBBELL INC. WIEGMANN ALL INFORMATION IS PROPRIETARY AND NOT TO BE DUPLICATED



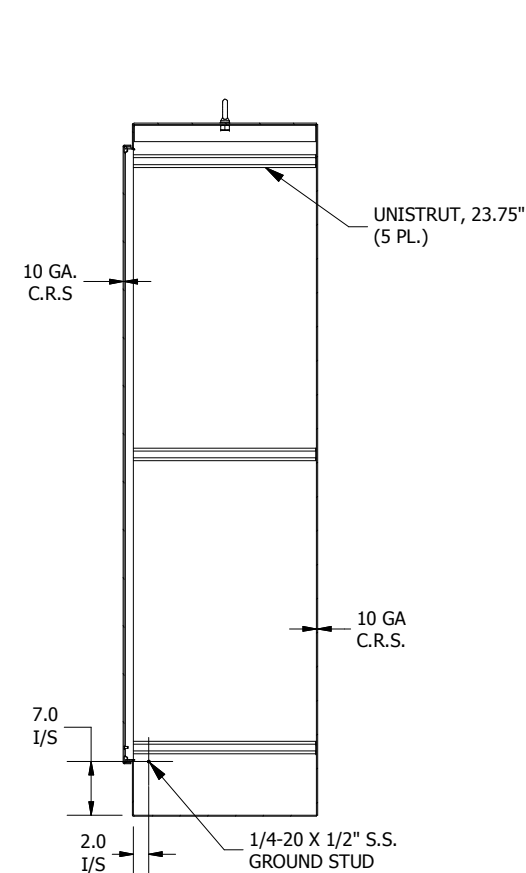
LEFT SIDE VIEW



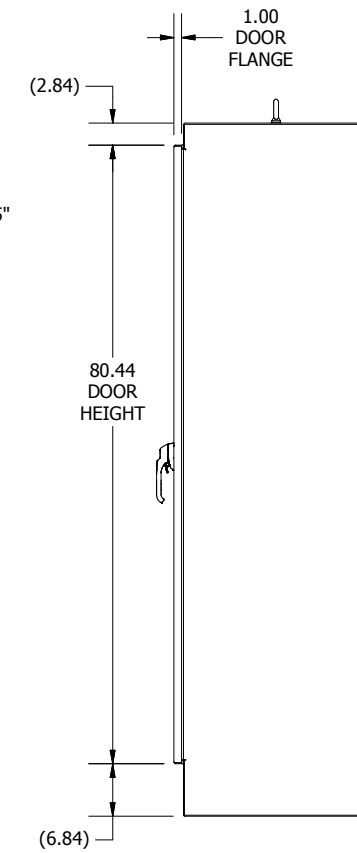
**SECTION A-A
(INSIDE RIGHT OF ENCL.)**



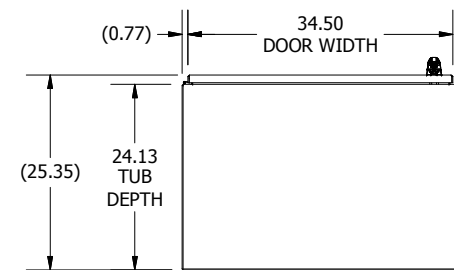
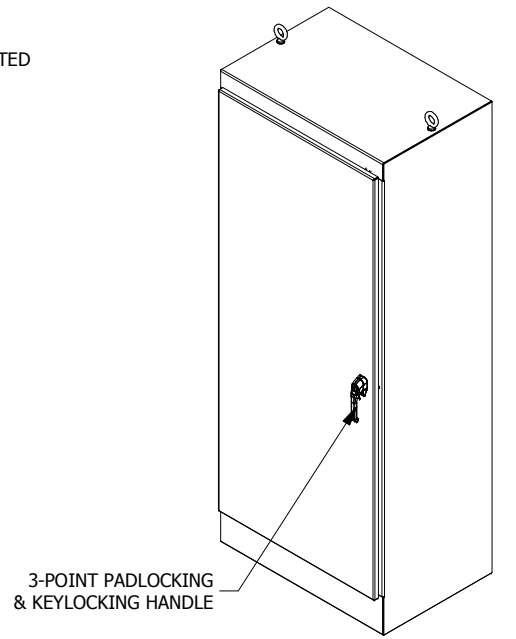
FRONT VIEW



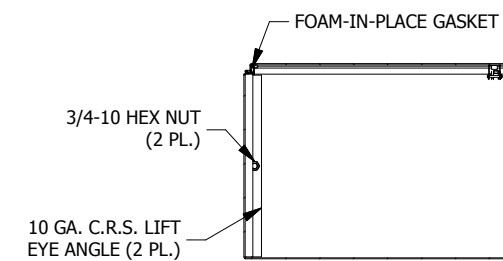
**SECTION B-B
(INSIDE LEFT OF ENCL.)**



RIGHT SIDE VIEW



BOTTOM VIEW



**SECTION C-C
(INSIDE TOP OF ENCL.)**

