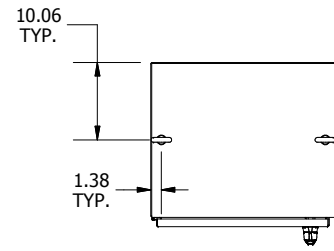
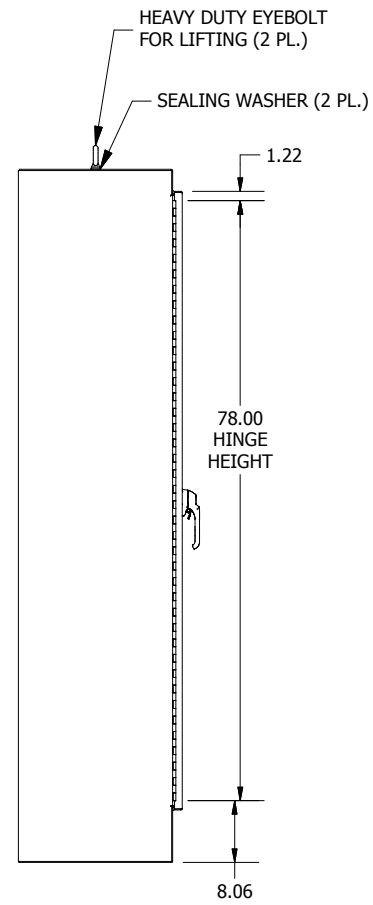


PART#: WA902420FS
(DATA SUBJECT TO CHANGE WITHOUT NOTICE)

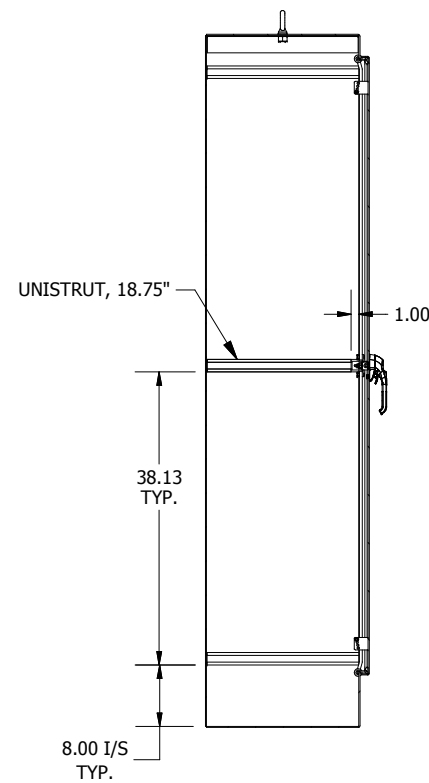
THIS DRAWING IS PROPERTY OF HUBBELL INC. WIEGMANN ALL INFORMATION IS PROPRIETARY AND NOT TO BE DUPLICATED



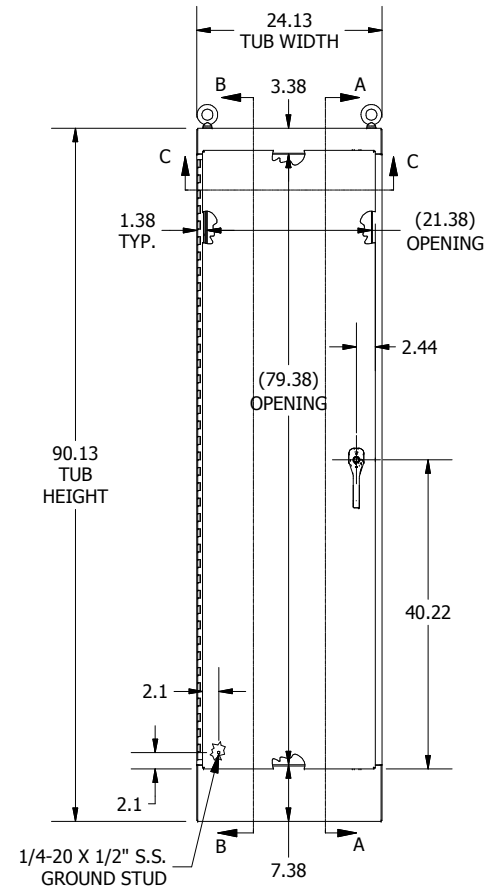
TOP VIEW



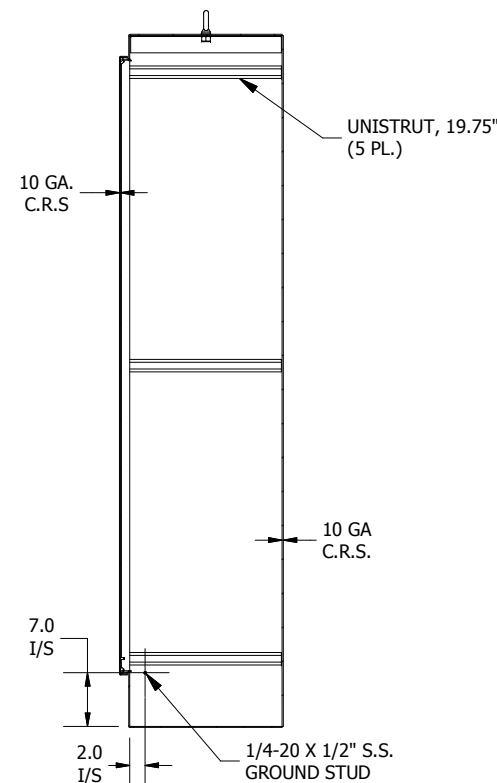
LEFT SIDE VIEW



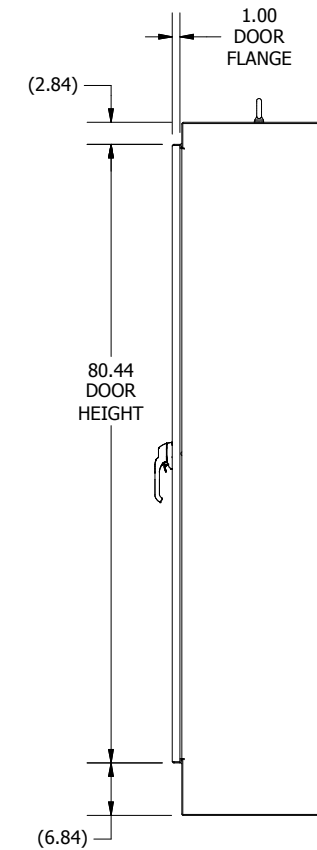
**SECTION A-A
(INSIDE RIGHT OF ENCL.)**



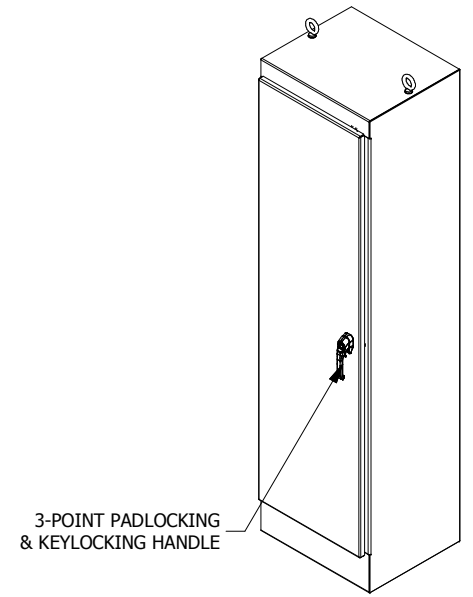
FRONT VIEW



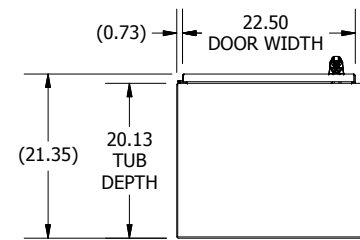
**SECTION B-B
(INSIDE LEFT OF ENCL.)**



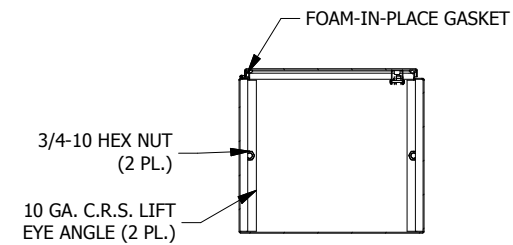
RIGHT SIDE VIEW



3-POINT PADLOCKING & KEYLOCKING HANDLE



BOTTOM VIEW



**SECTION C-C
(INSIDE TOP OF ENCL.)**

