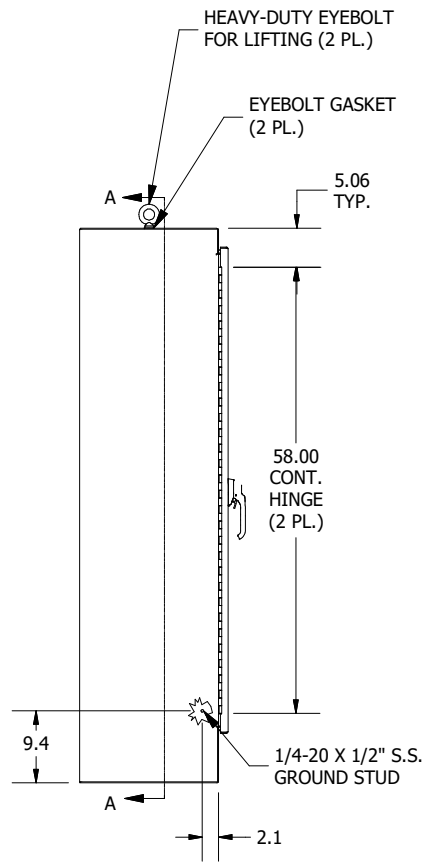
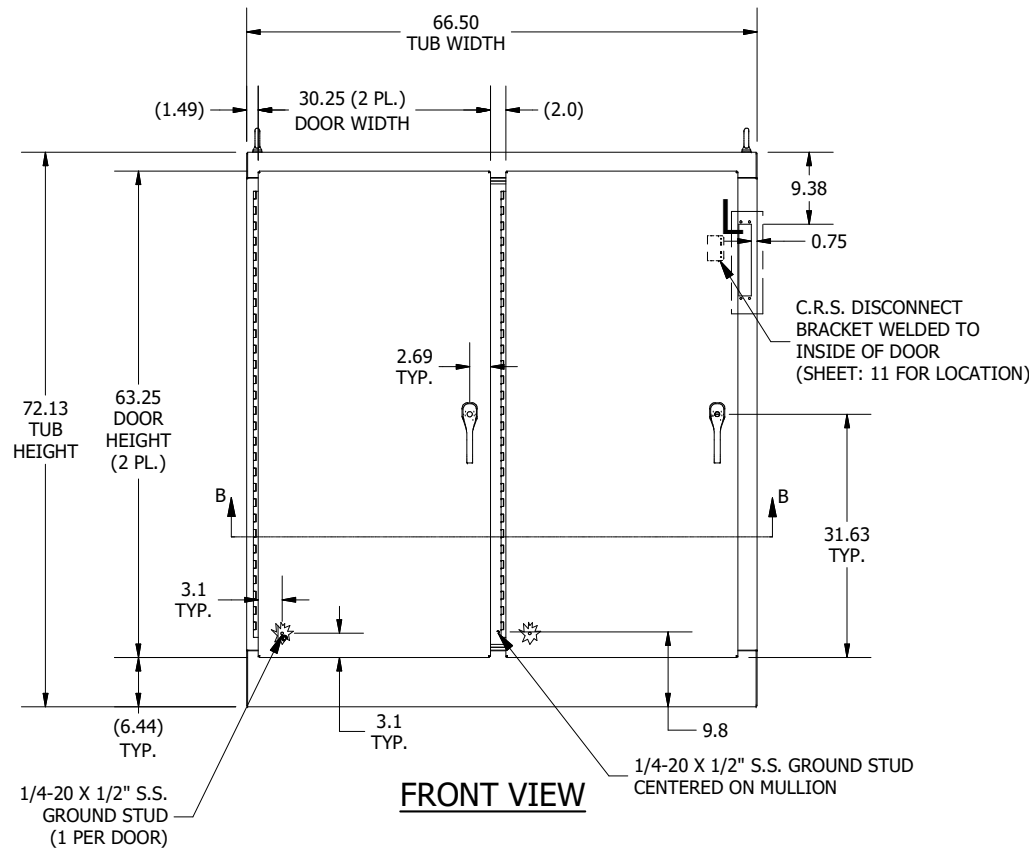


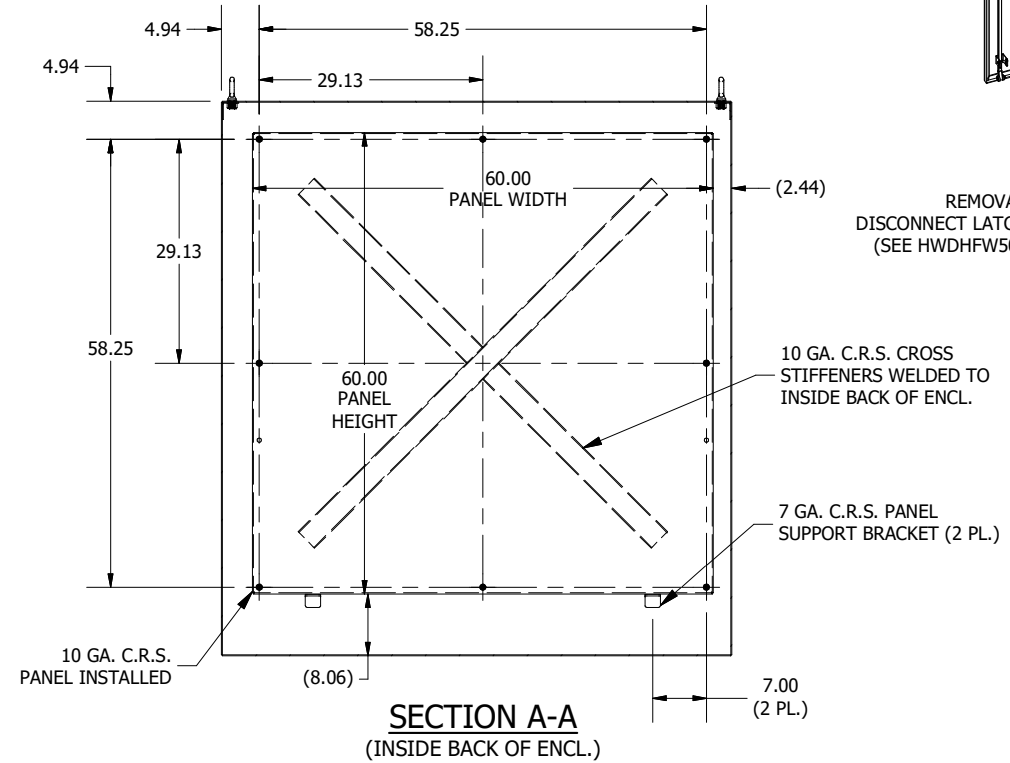
**TOP VIEW**



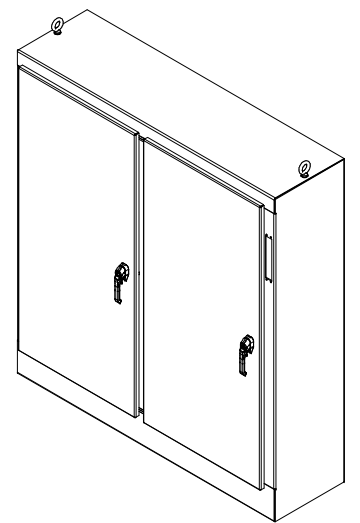
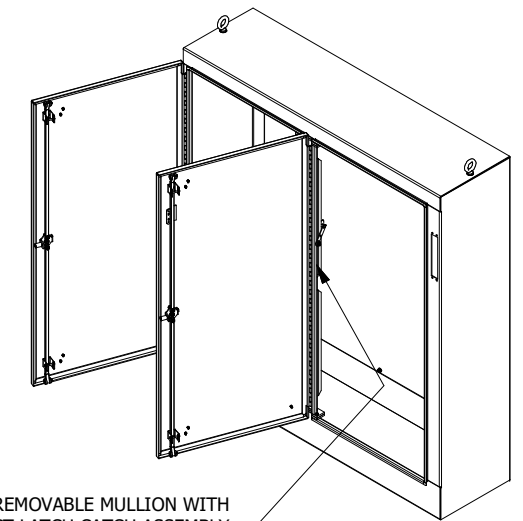
**LEFT SIDE VIEW**



**FRONT VIEW**



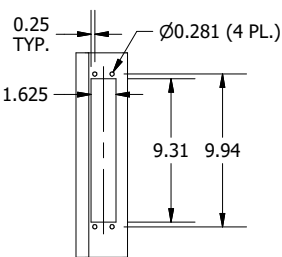
**SECTION A-A  
(INSIDE BACK OF ENCL.)**



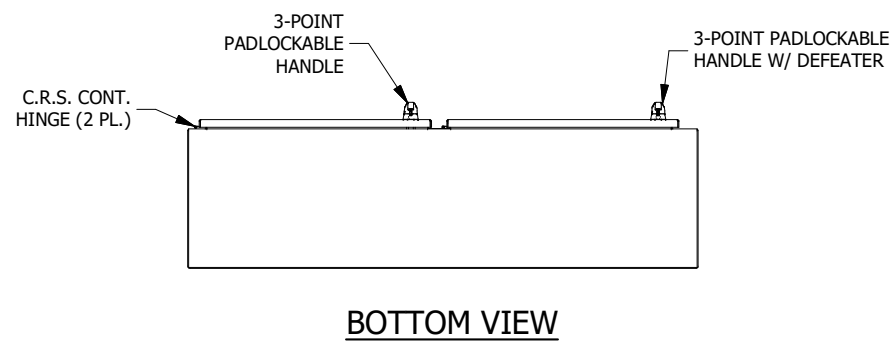
REMOVABLE MULLION WITH DISCONNECT LATCH CATCH ASSEMBLY (SEE HWDHFW500003 FOR DETAILS)

10 GA. C.R.S. CROSS STIFFENERS WELDED TO INSIDE BACK OF ENCL.

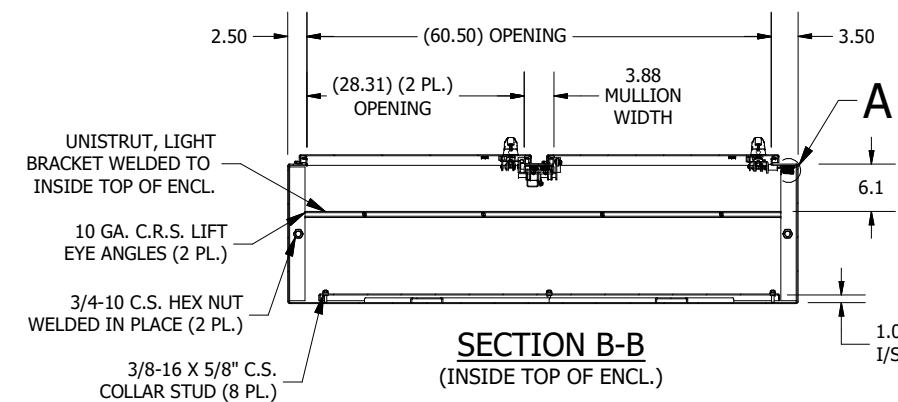
7 GA. C.R.S. PANEL SUPPORT BRACKET (2 PL.)



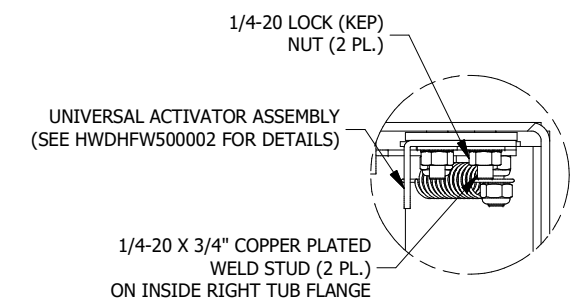
**DETAIL L  
DISCONNECT CUTOUT DETAIL**



**BOTTOM VIEW**



**SECTION B-B  
(INSIDE TOP OF ENCL.)**



**DETAIL A  
(UNIV. ACTIVATOR INSTALL)**

PART#: WA72XM6518U  
(DATA SUBJECT TO CHANGE WITHOUT NOTICE)