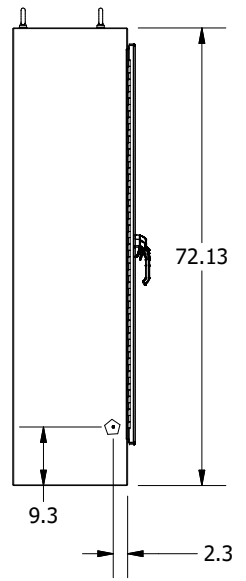
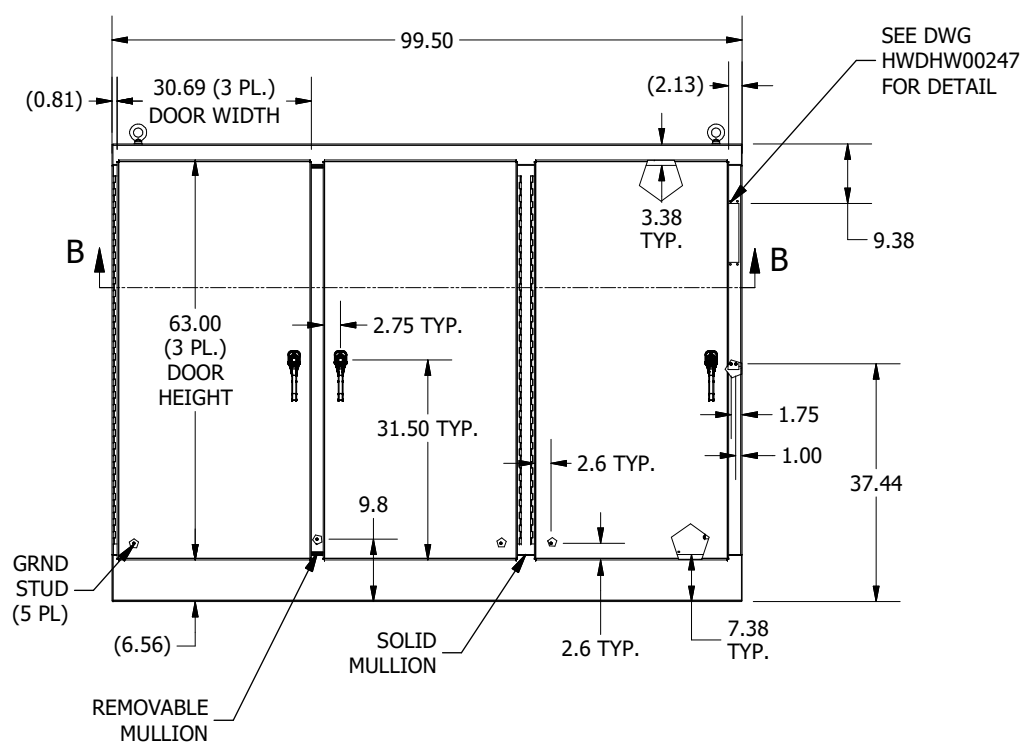


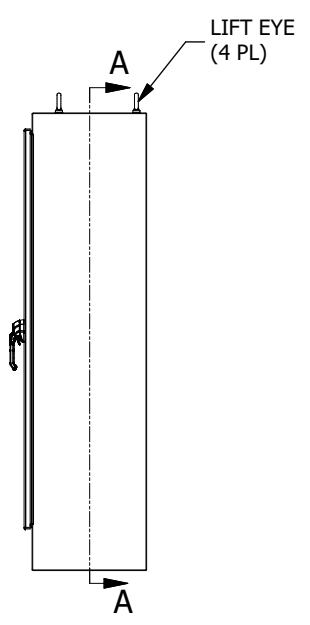
TOP VIEW



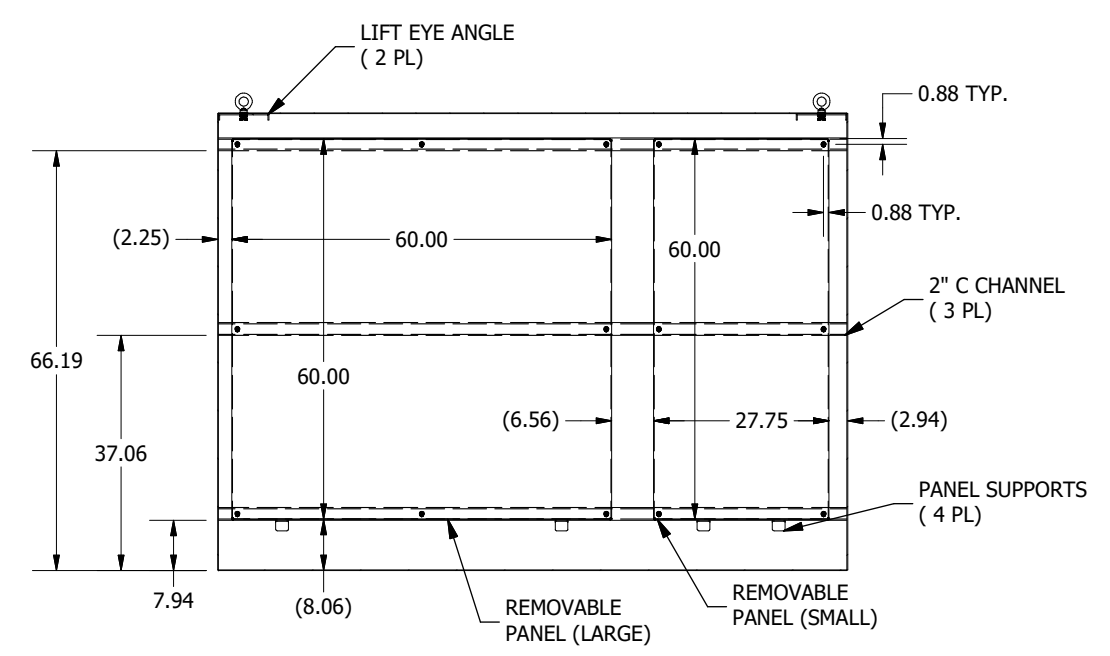
LEFT VIEW



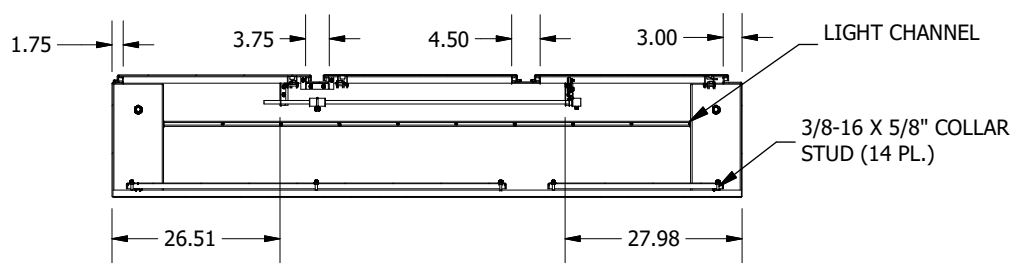
FRONT VIEW



RIGHT VIEW



SECTION A-A



SECTION B-B

PART#: WA72XM3EQ18U
(DATA SUBJECT TO CHANGE WITHOUT NOTICE)

THIS DRAWING IS PROPERTY OF HUBBELL INC. WIEGMANN
 ALL INFORMATION IS PROPRIETARY AND NOT TO BE DUPLICATED