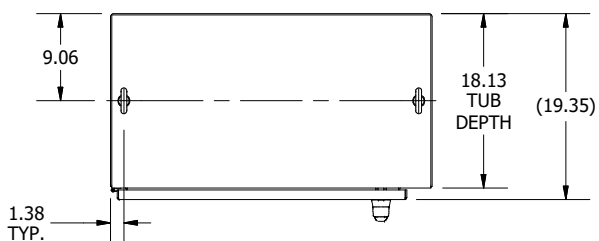
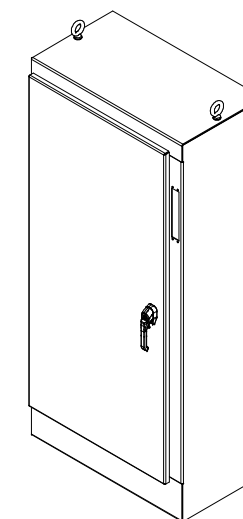
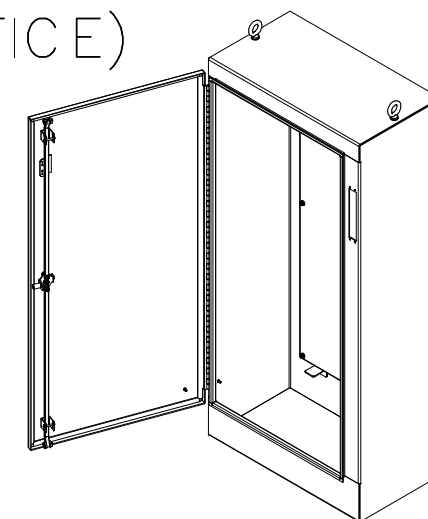
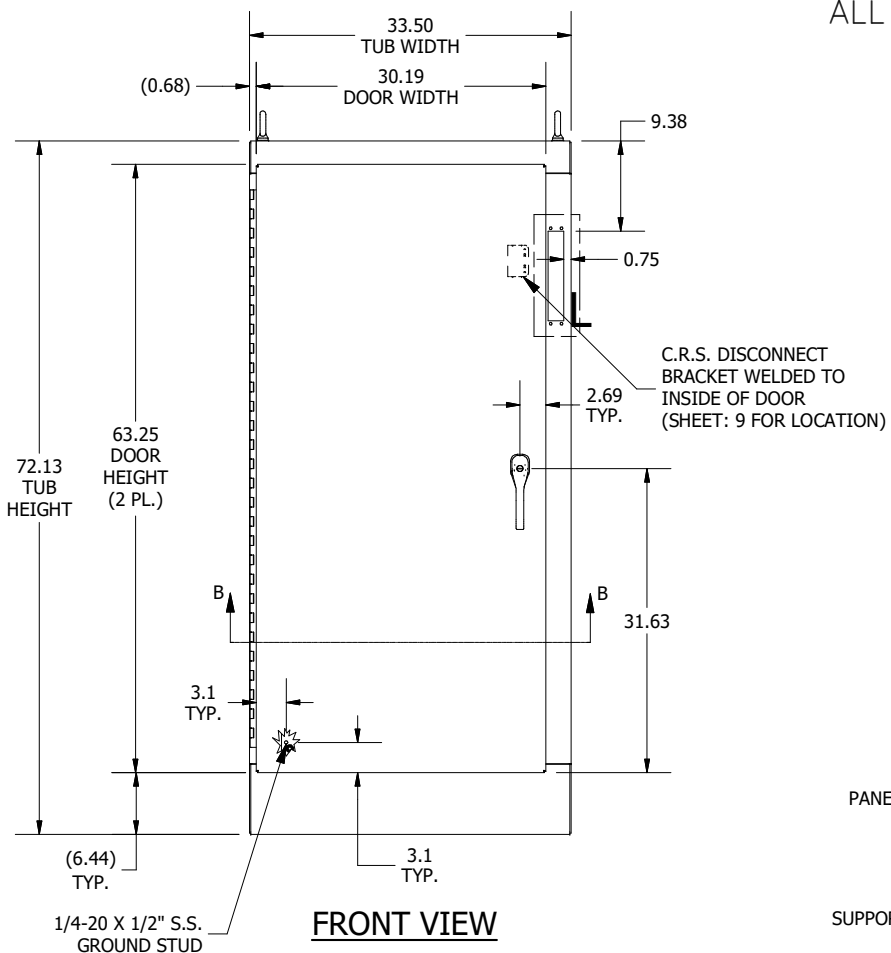


PART#: WA72XM3318U
 (DATA SUBJECT TO CHANGE WITHOUT NOTICE)

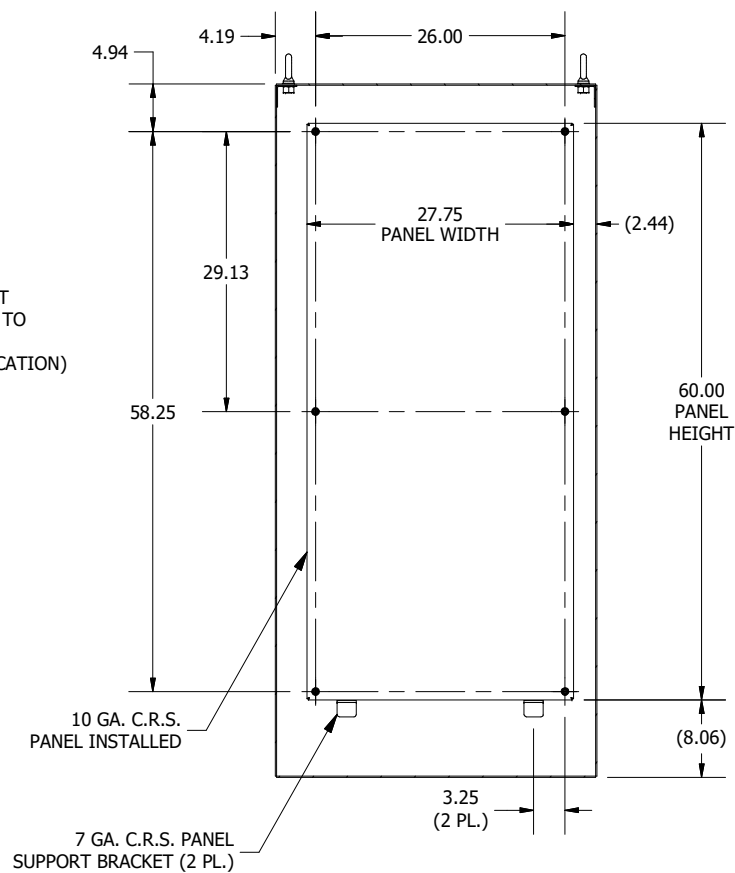
THIS DRAWING IS PROPERTY OF HUBBELL INC. WIEGMANN
 ALL INFORMATION IS PROPRIETARY AND NOT TO BE DUPLICATED



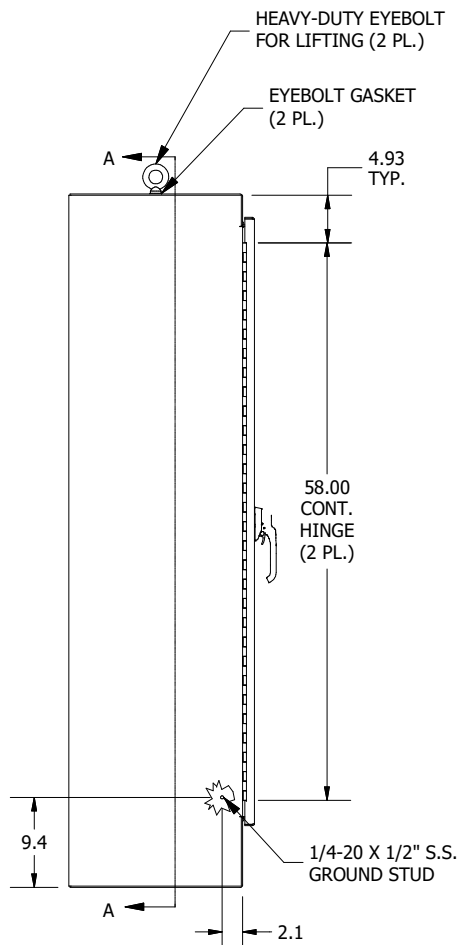
TOP VIEW



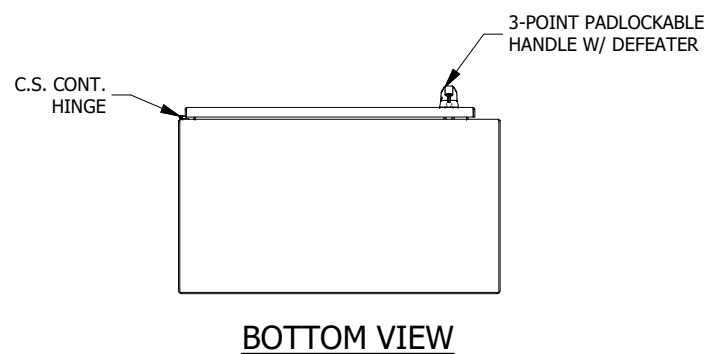
FRONT VIEW



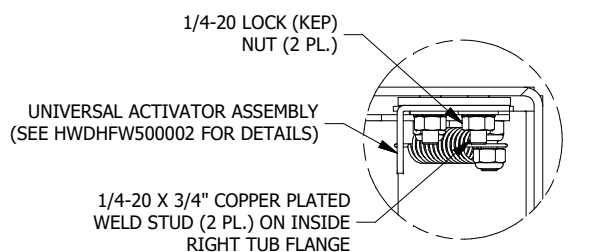
SECTION A-A
(INSIDE BACK OF ENCL.)



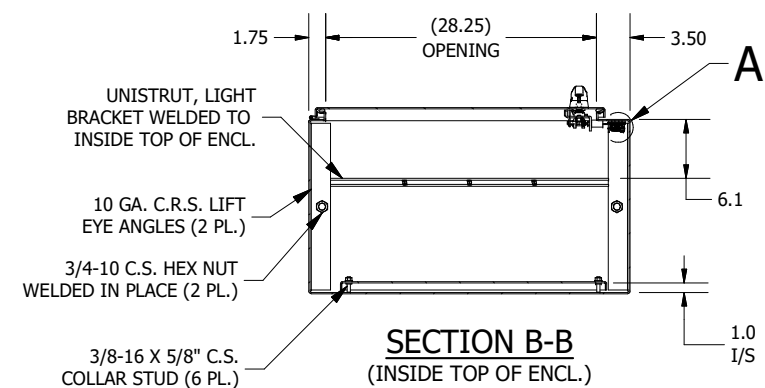
LEFT SIDE VIEW



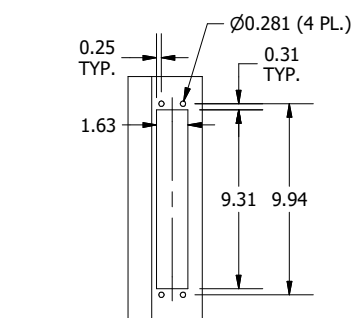
BOTTOM VIEW



DETAIL A
(UNIV. ACTIVATOR INSTALL)



SECTION B-B
(INSIDE TOP OF ENCL.)



DETAIL L
(DISCONNECT CUTOUT DETAIL)