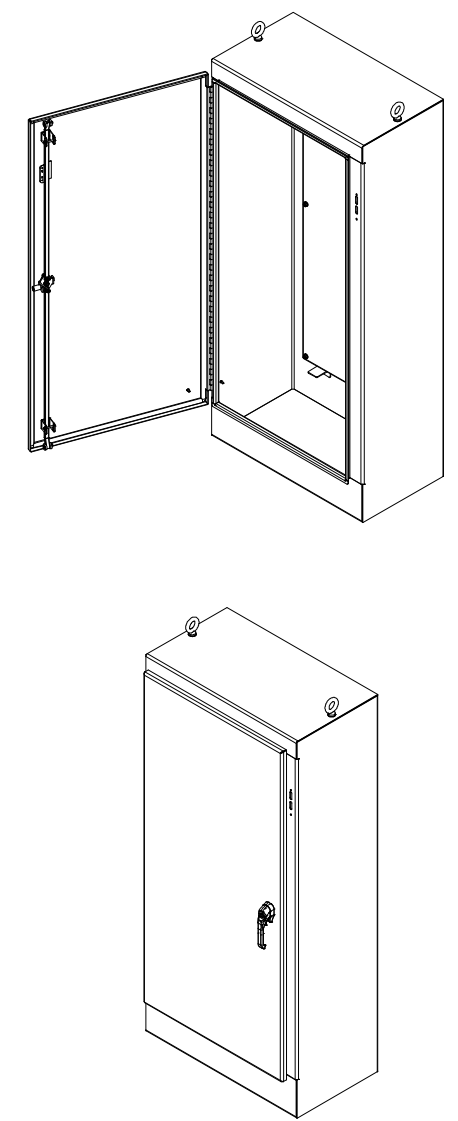
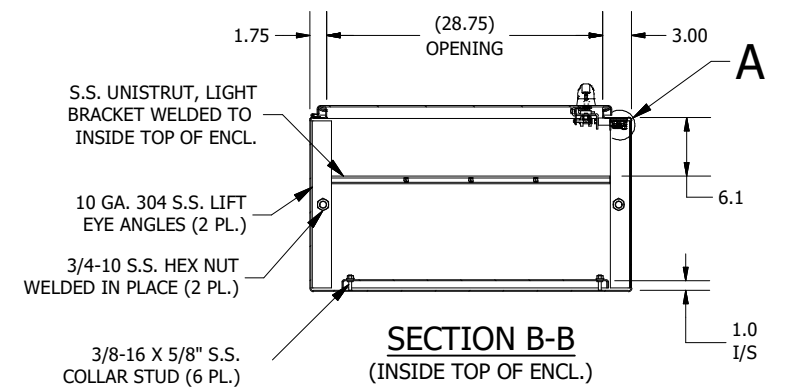
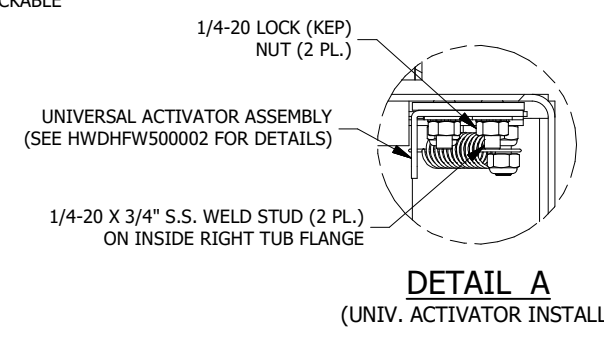
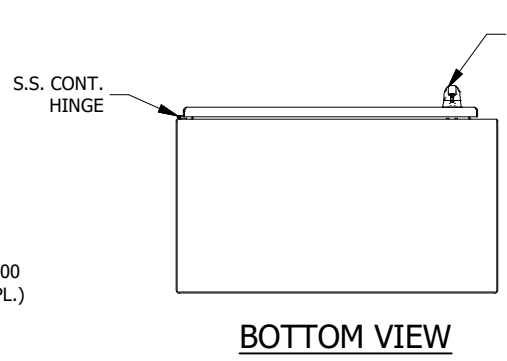
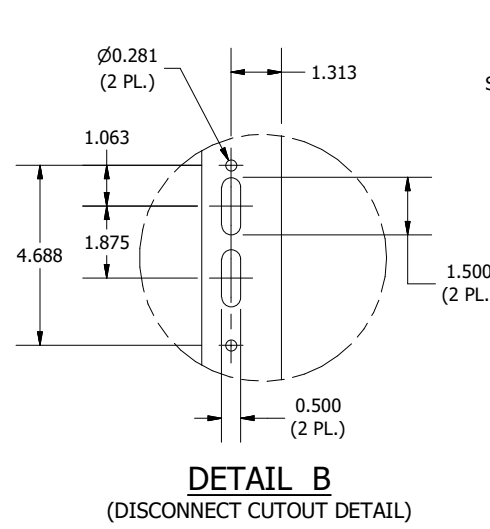
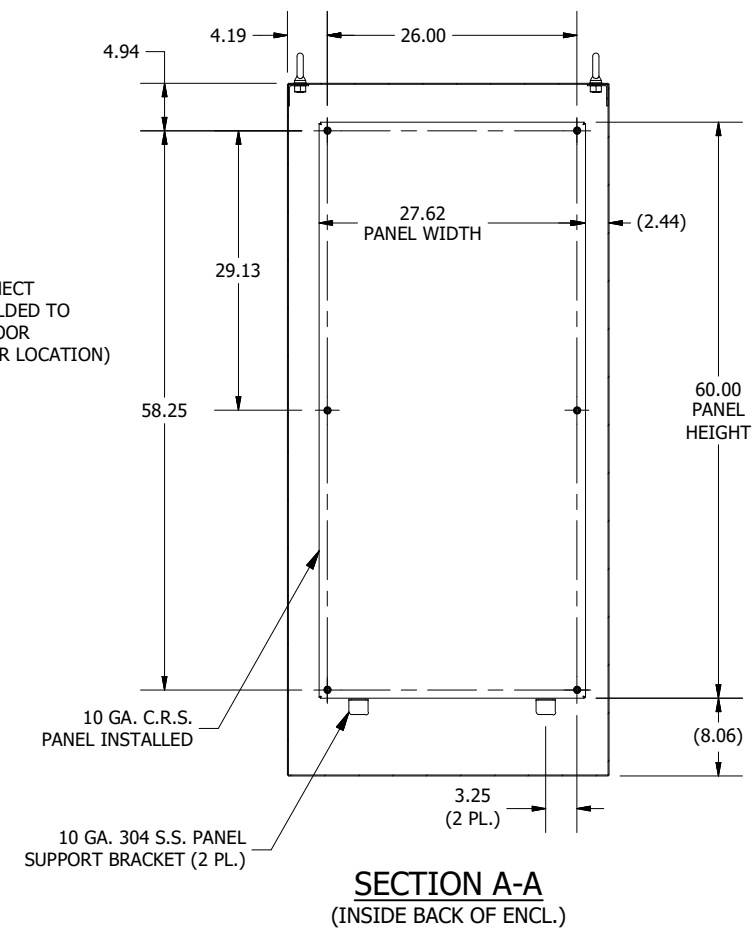
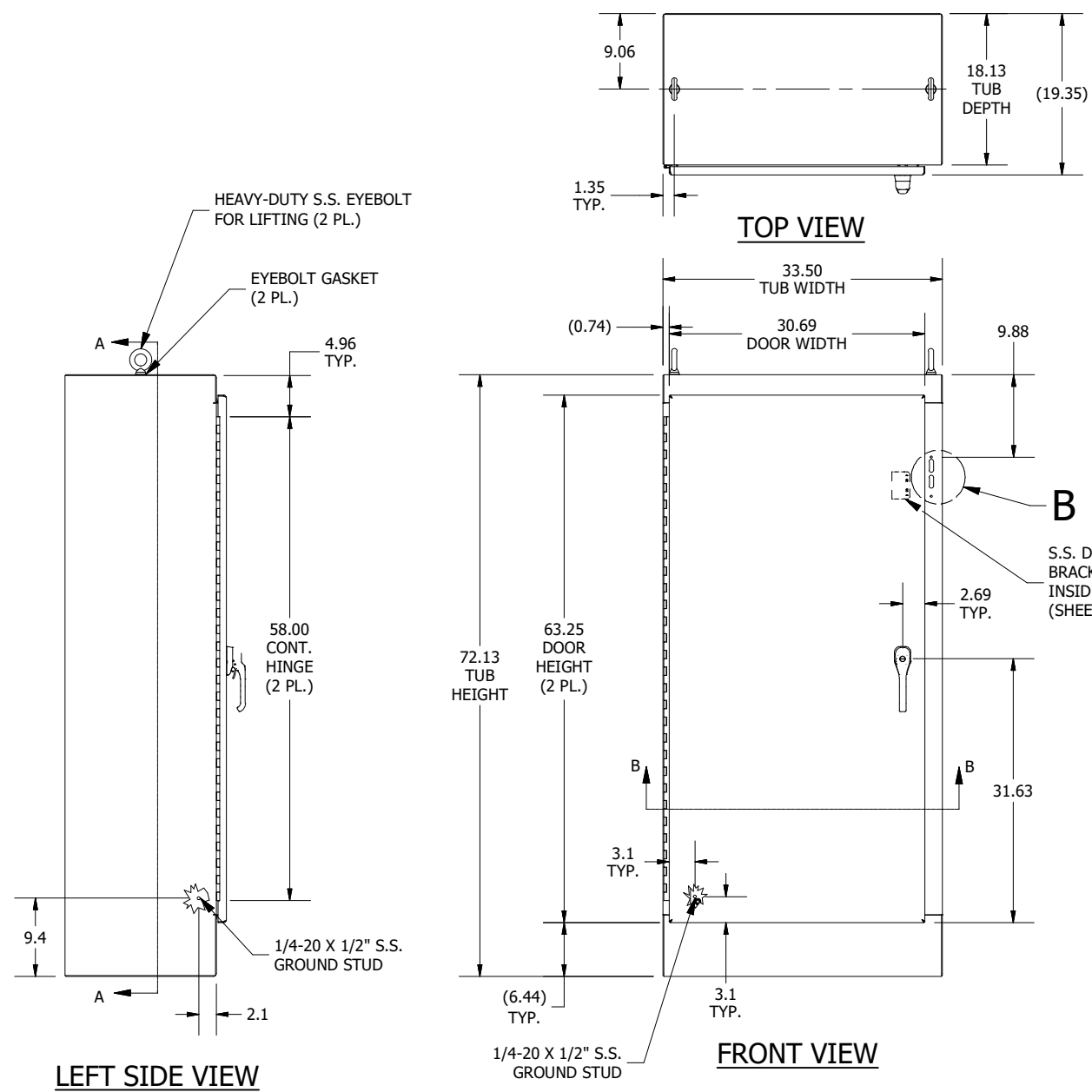


REVISION HISTORY			
REV	DESCRIPTION	BY	DATE
A	ECO# 20160606-1L	WF	05/09/2017

- NOTES:**
1. ALL DIMENSIONS ARE FROM OUTSIDE UNLESS OTHERWISE NOTED (I/S).
 2. ENCLOSURE IS FABRICATED FROM 12 GA. 304 STAINLESS STEEL.
 3. ALL SEAMS ARE CONTINUOUSLY WELDED & GROUND SMOOTH.
 4. DOOR IS SEALED WITH FOAM-IN-PLACE GASKET.
 5. DOOR IS SECURED SHUT WITH A 3-POINT 316 S.S. PADLOCKABLE HANDLE WITH BUILT IN DEFEATER.
 6. A 10 GA. CARBON STEEL BACK PANEL IS INSTALLED PER DRAWING.
 7. FINISH: EXTERIOR - STANDARD GRAINED FINISH.
INTERIOR - STANDARD COMMERCIAL FINISH.
PANEL - WHITE POLYESTER POWDER (SMOOTH).
 8. ENCLOSURE IS RATED UL TYPE 4X.



PART#: WA72XM3318SSN4
 (DATA SUBJECT TO CHANGE WITHOUT NOTICE)