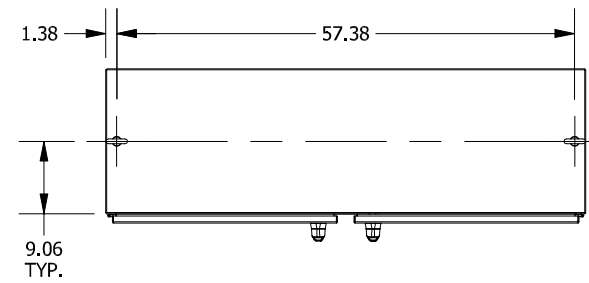
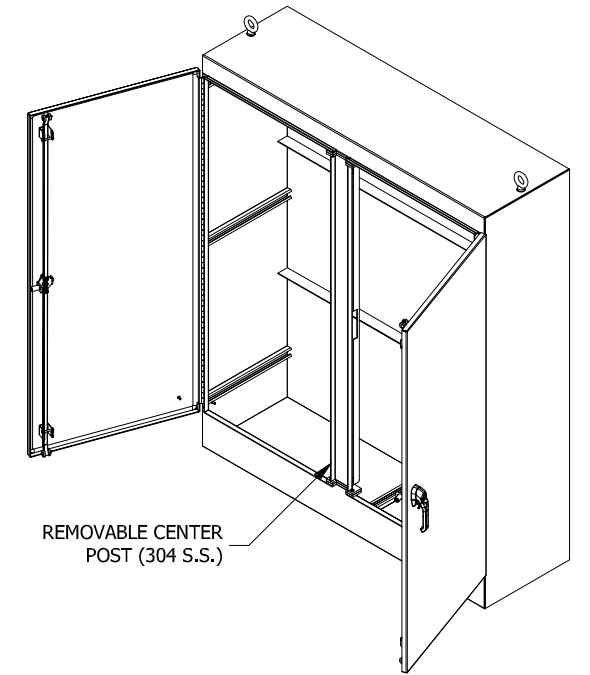


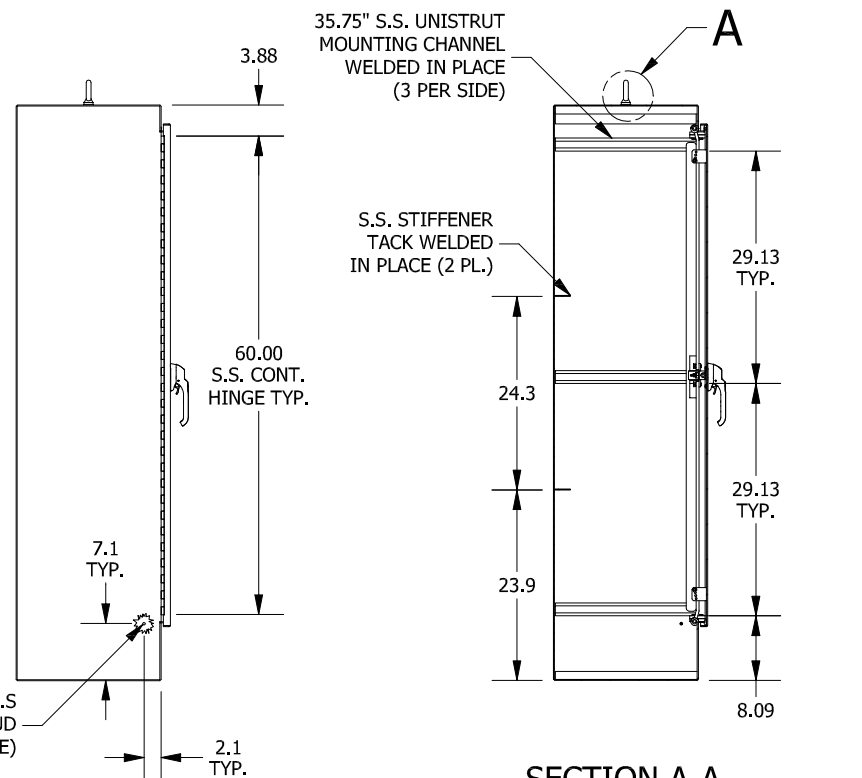
**DETAIL A (2 PL.)
(LIFT-EYE DETAIL)**



TOP VIEW

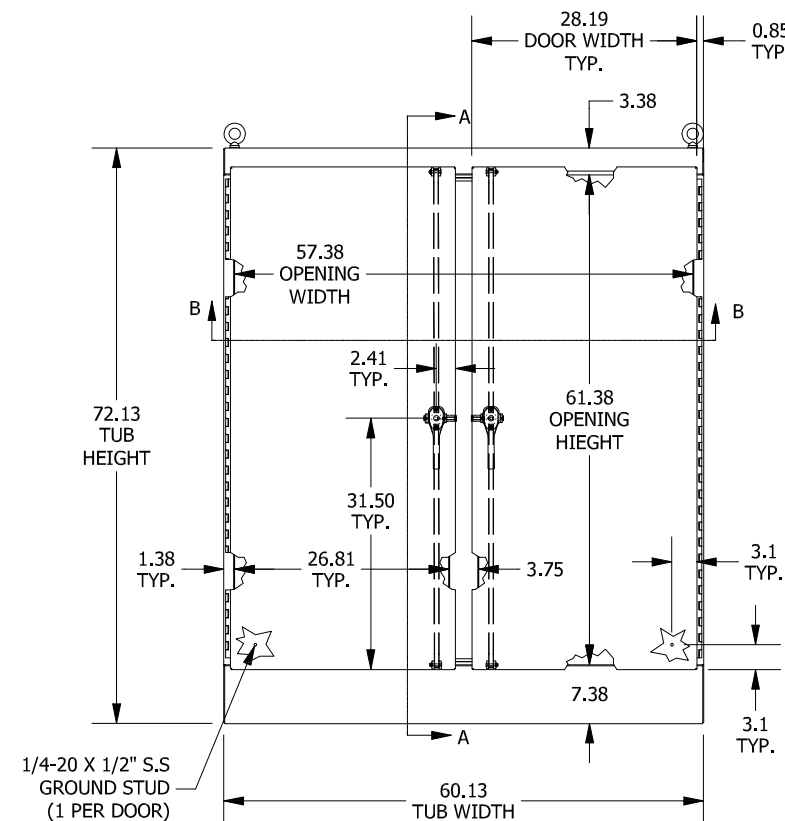


REMOVABLE CENTER POST (304 S.S.)

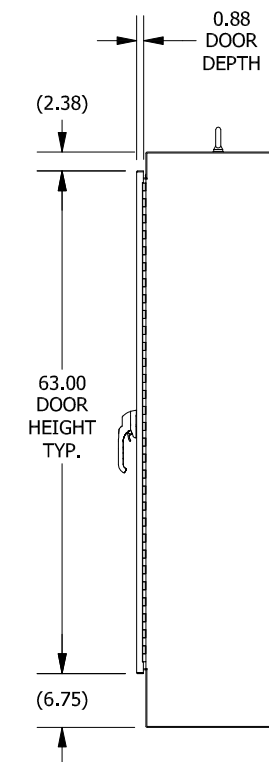


LEFT SIDE VIEW

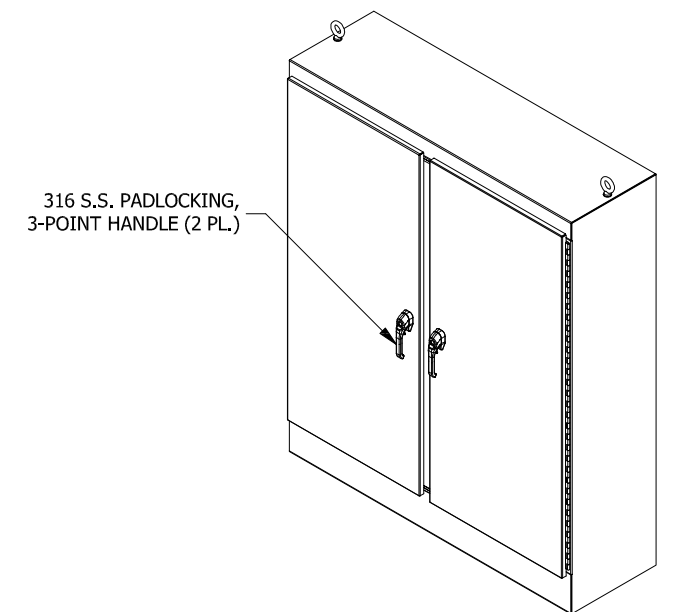
**SECTION A-A
(INSIDE RIGHT VIEW OF ENCL.)**



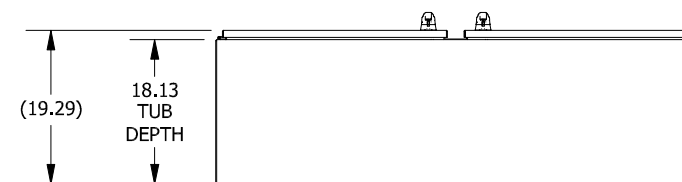
FRONT VIEW



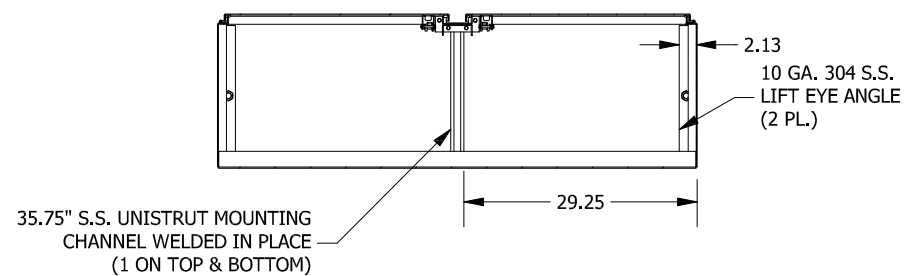
RIGHT SIDE VIEW



316 S.S. PADLOCKING, 3-POINT HANDLE (2 PL.)



BOTTOM VIEW



**SECTION B-B
(INSIDE TOP OF ENCL.)**

PART#: WA726018SSSFSDN43PT
(DATA SUBJECT TO CHANGE WITHOUT NOTICE)

THIS DRAWING IS PROPERTY OF HUBBELL INC. WIEGMANN
ALL INFORMATION IS PROPRIETARY AND NOT TO BE DUPLICATED