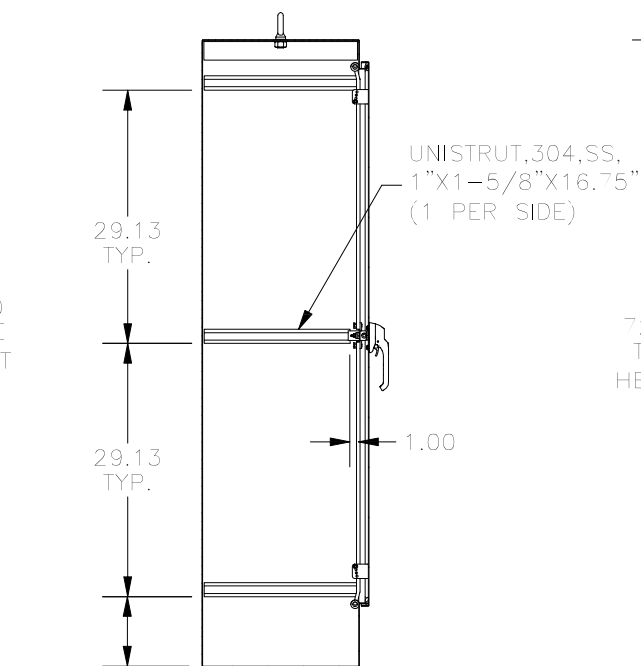
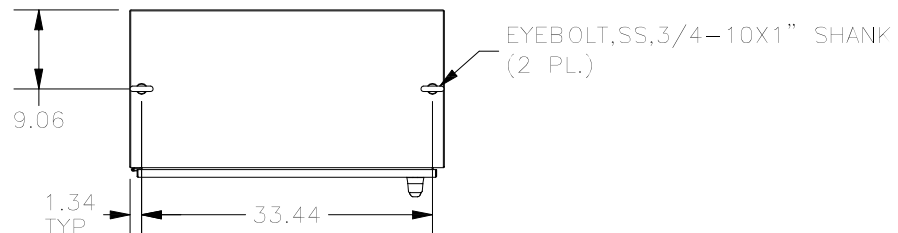


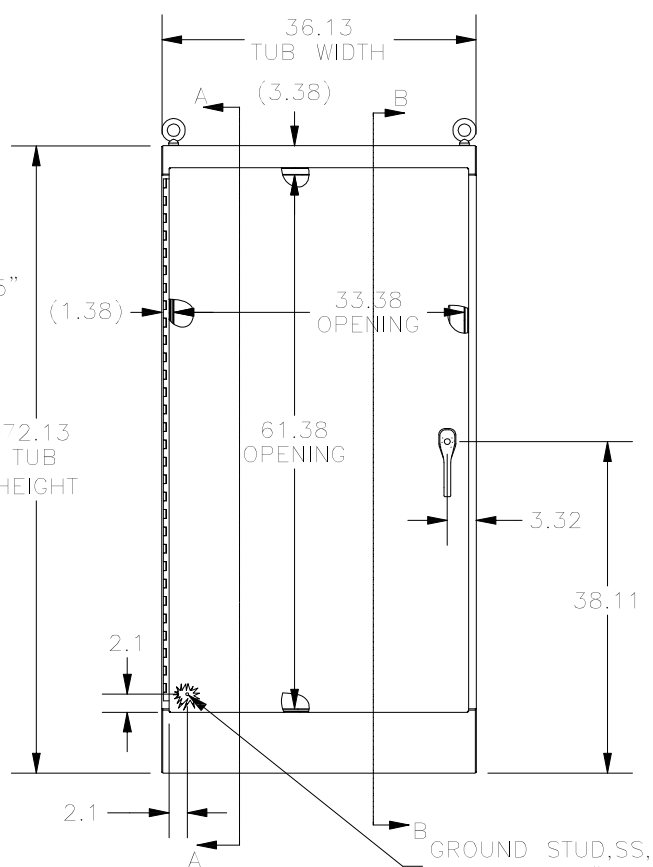
LEFT SIDE VIEW



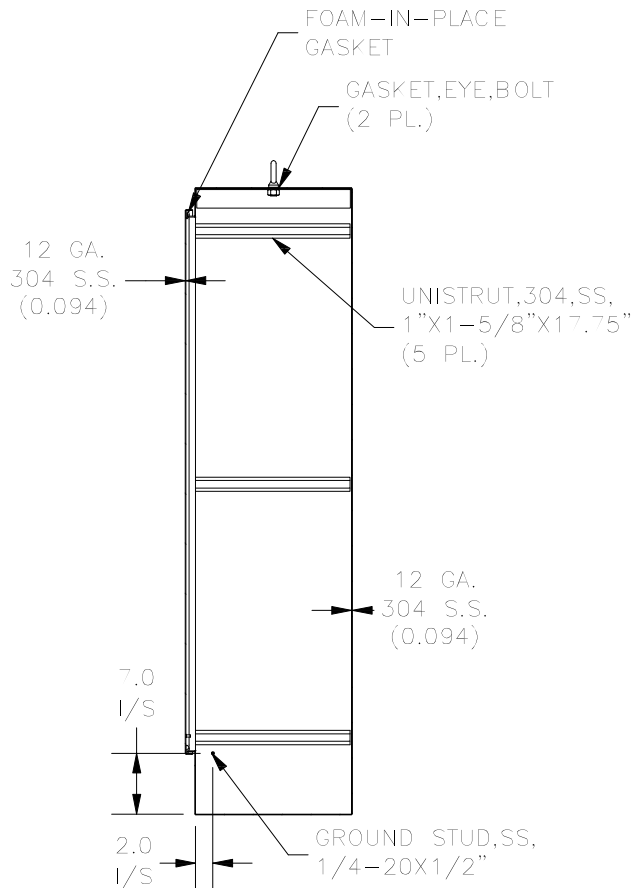
**SECTION B-B
(INSIDE RIGHT VIEW OF ENCLOSURE)**



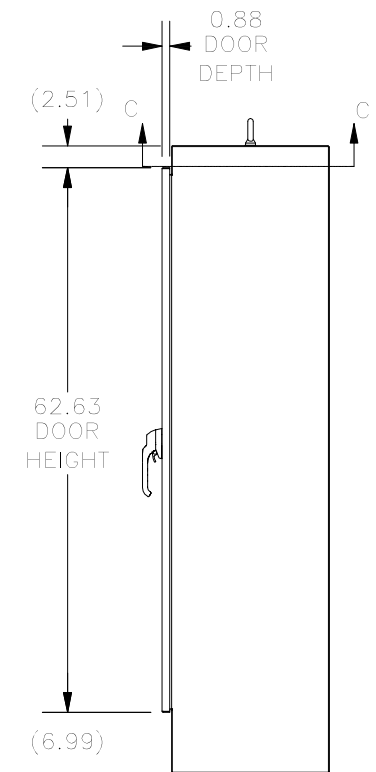
TOP VIEW



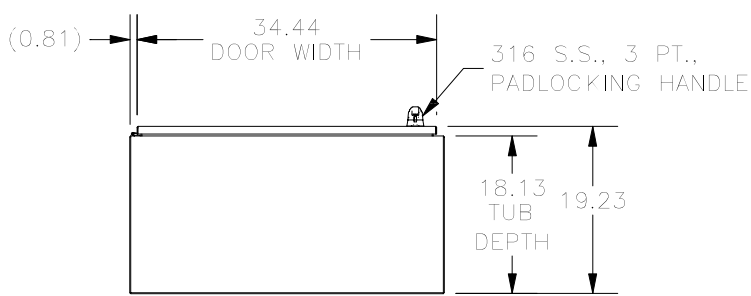
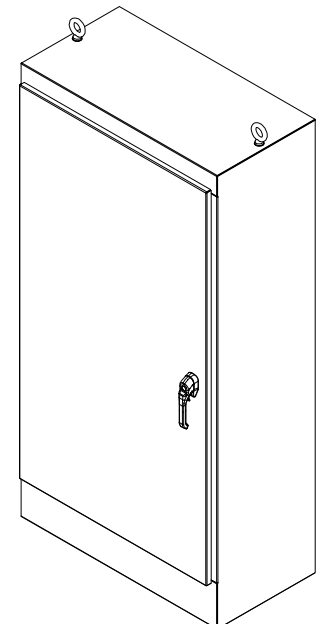
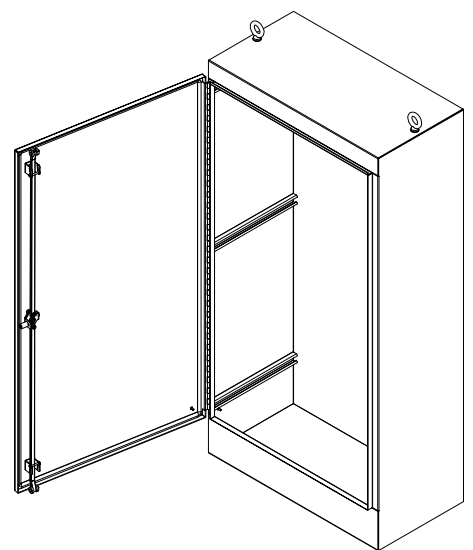
FRONT VIEW



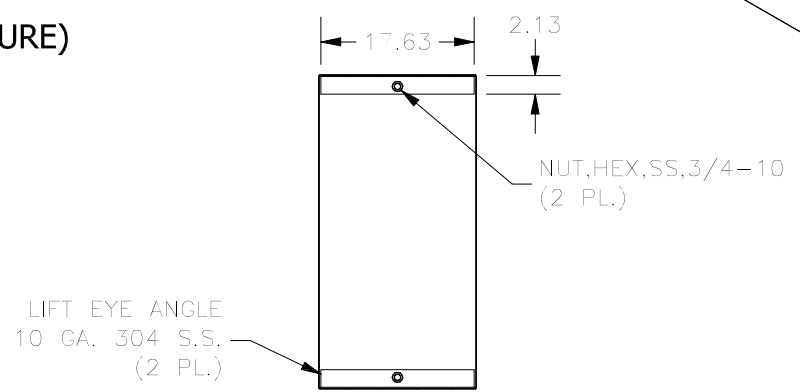
**SECTION A-A
(INSIDE LEFT VIEW OF ENCLOSURE)**



RIGHT SIDE VIEW



BOTTOM VIEW



**SECTION C-C
(INSIDE TOP VIEW OF ENCLOSURE)**

PART#: WA723618SSFSN43PT
(DATA SUBJECT TO CHANGE WITHOUT NOTICE)