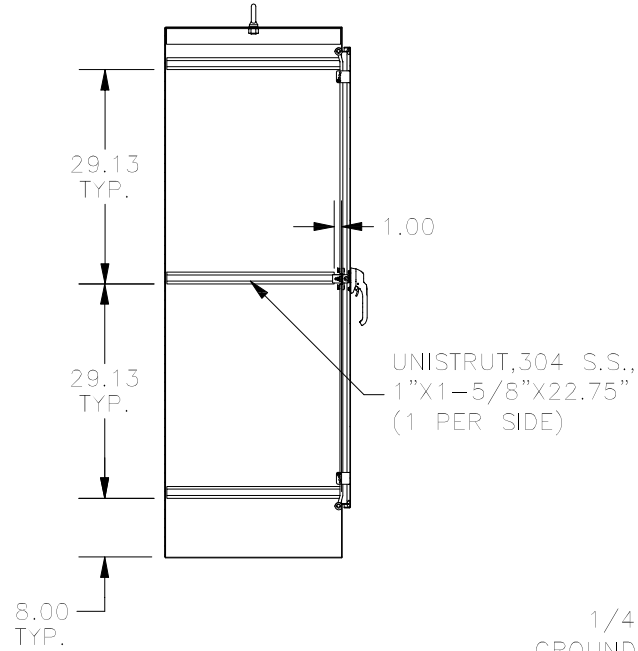
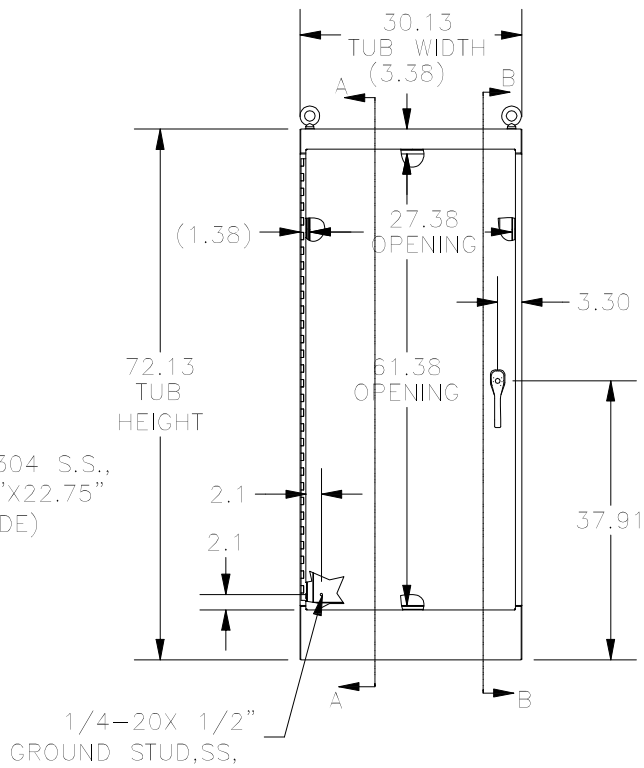


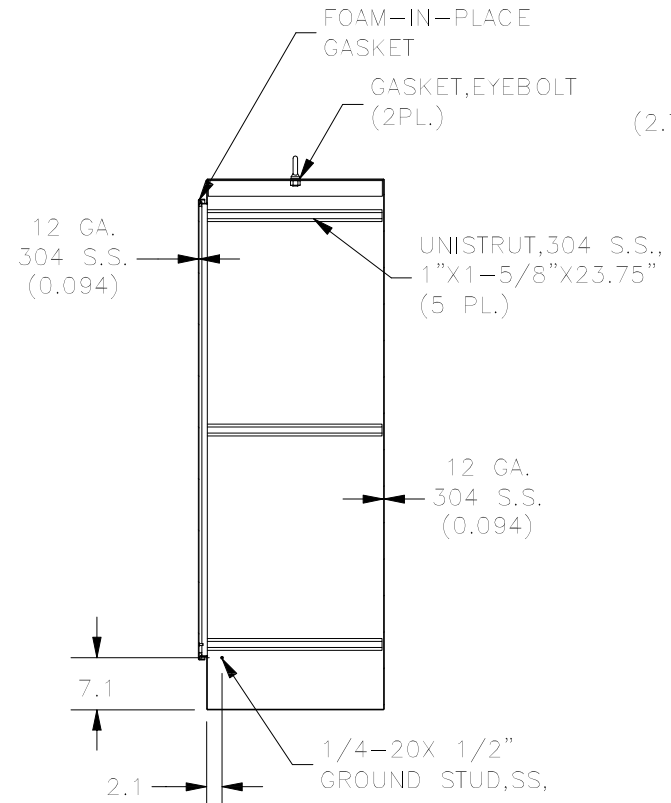
LEFT SIDE VIEW



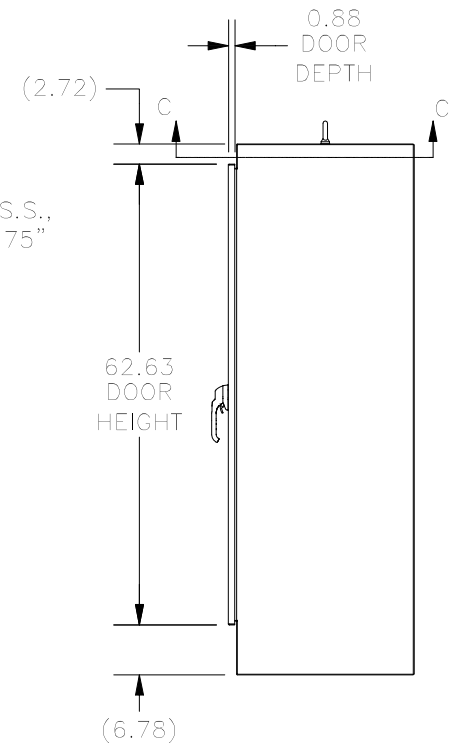
SECTION B-B (INSIDE RIGHT VIEW OF ENCLOSURE)



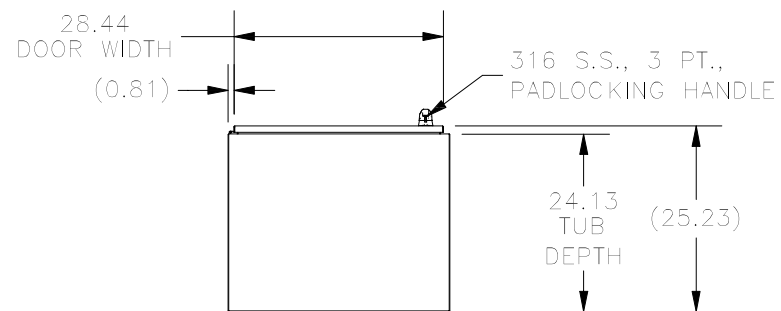
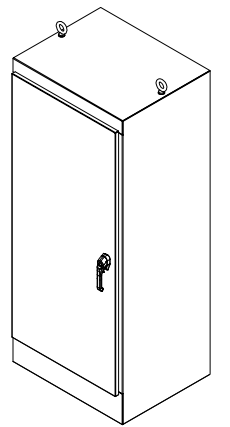
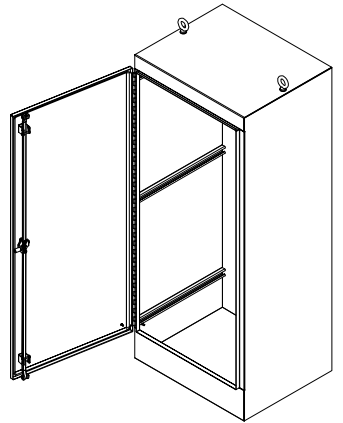
FRONT VIEW



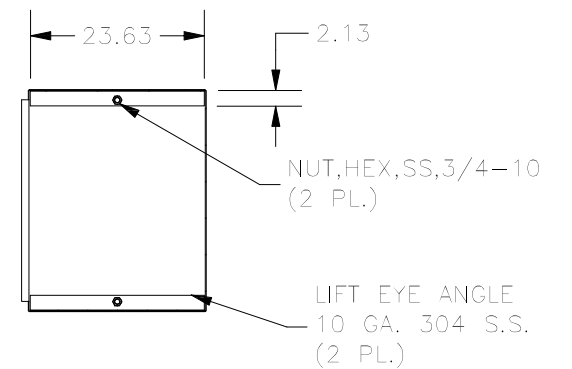
SECTION A-A (INSIDE LEFT VIEW OF ENCLOSURE)



RIGHT SIDE VIEW



BOTTOM VIEW



SECTION C-C (INSIDE TOP VIEW OF ENCLOSURE)

PART#: WA723024SSFSN43PT
 (DATA SUBJECT TO CHANGE WITHOUT NOTICE)