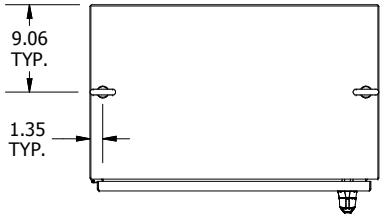
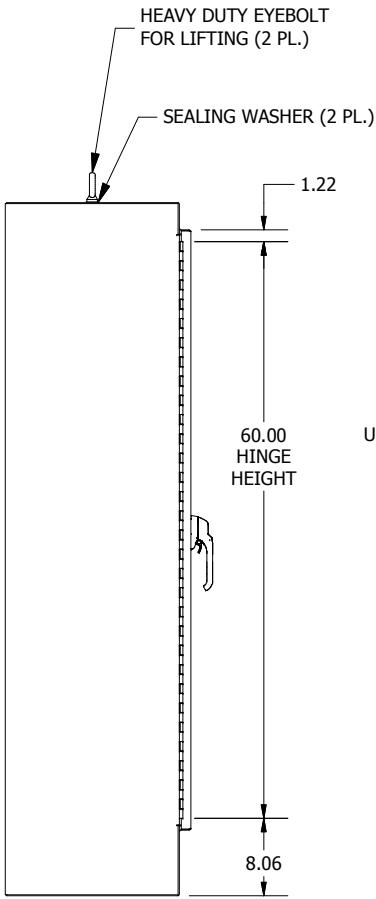


PART#: WA723018FS
(DATA SUBJECT TO CHANGE WITHOUT NOTICE)

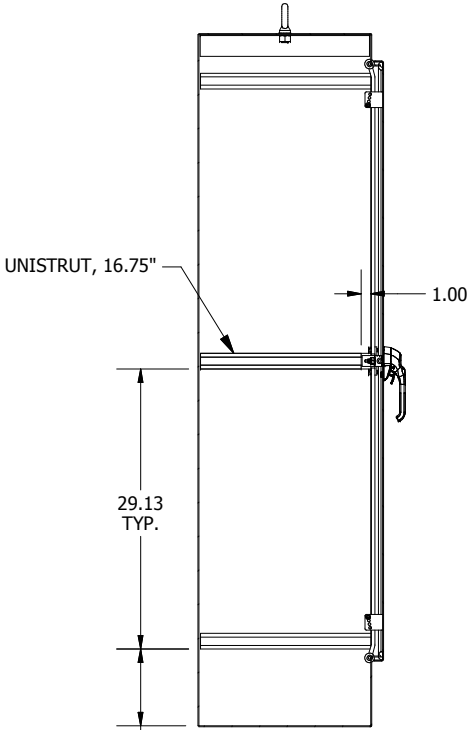
THIS DRAWING IS PROPERTY OF HUBBELL INC. WIEGMANN ALL INFORMATION IS PROPRIETARY AND NOT TO BE DUPLICATED



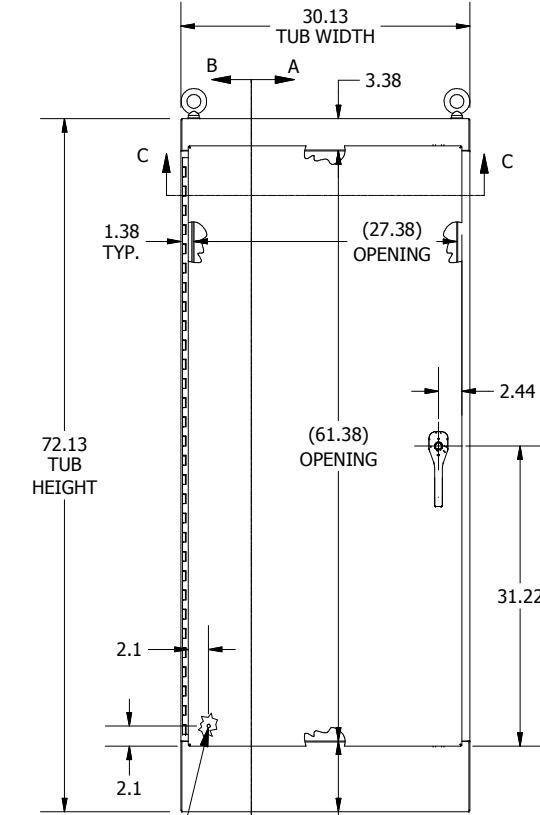
TOP VIEW



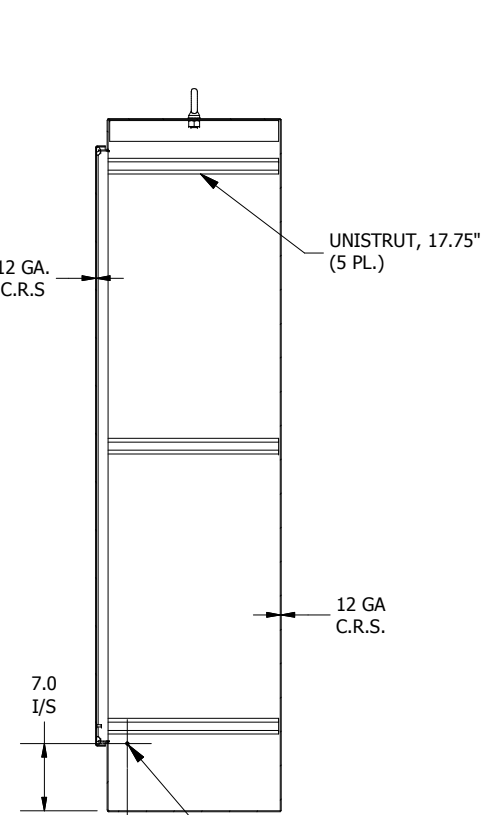
LEFT SIDE VIEW



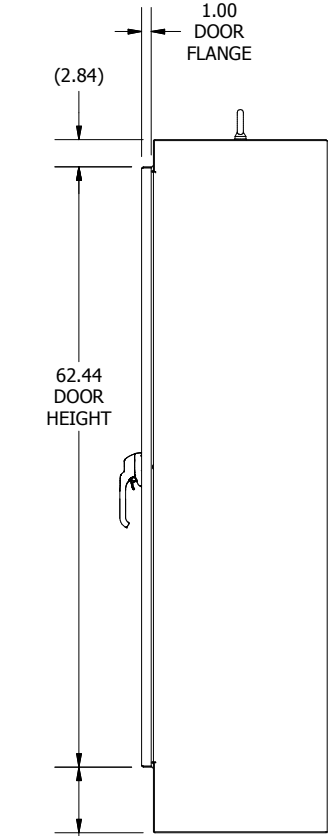
**SECTION A-A
 (INSIDE RIGHT OF ENCL.)**



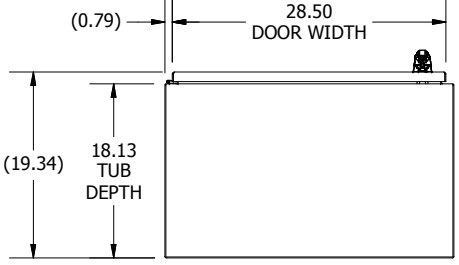
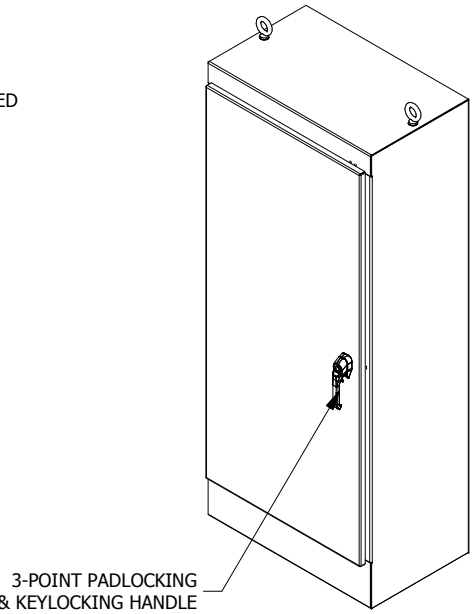
FRONT VIEW



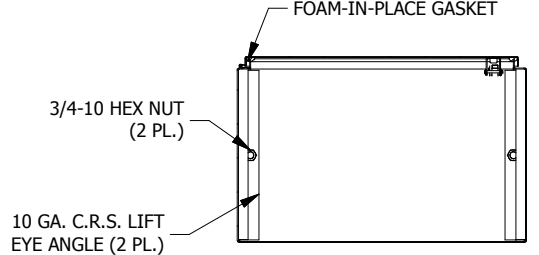
**SECTION B-B
 (INSIDE LEFT OF ENCL.)**



RIGHT SIDE VIEW



BOTTOM VIEW



**SECTION C-C
 (INSIDE TOP OF ENCL.)**

