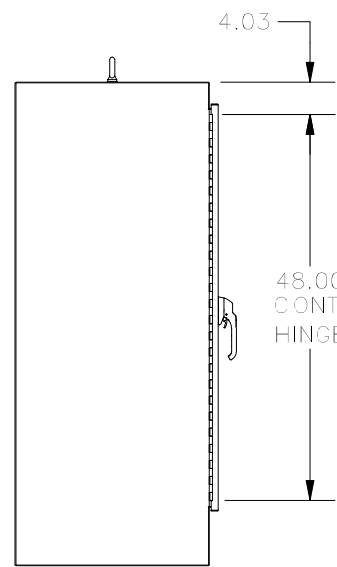
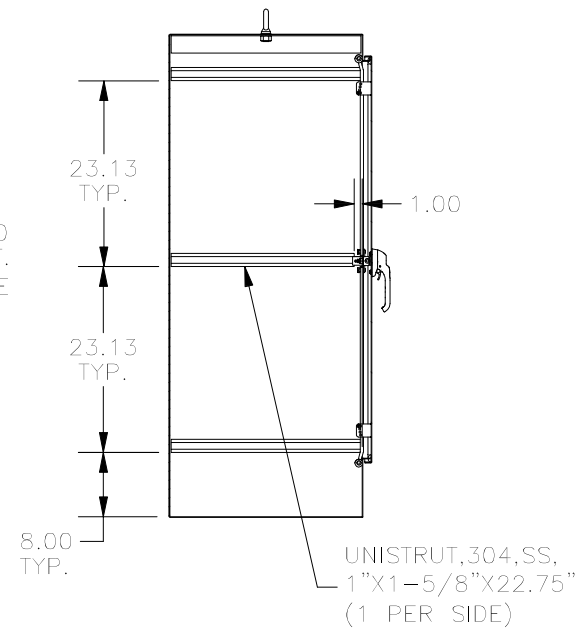


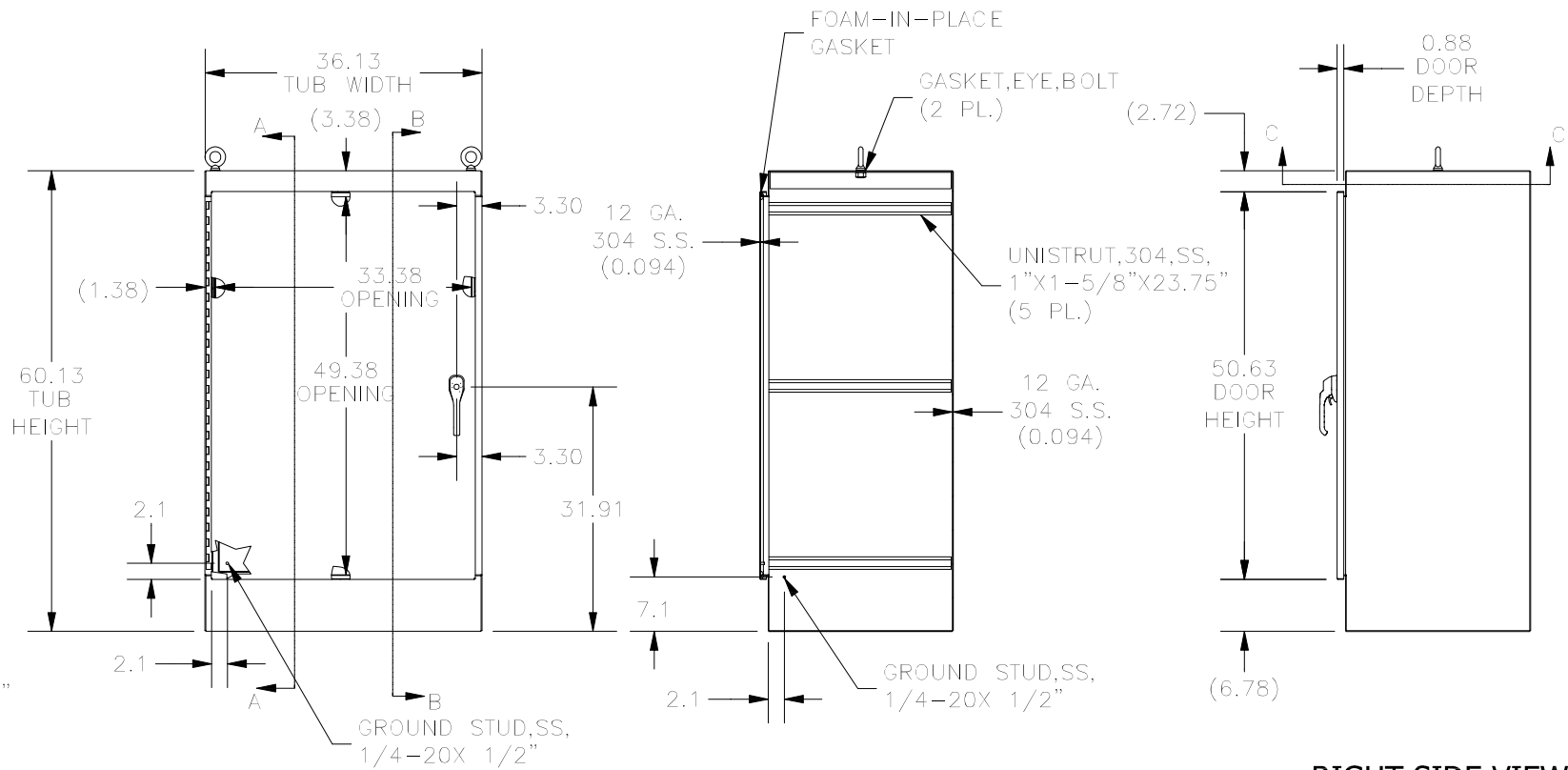
TOP VIEW



LEFT SIDE VIEW

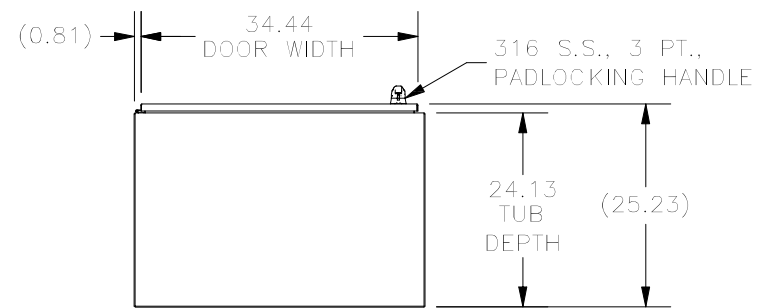
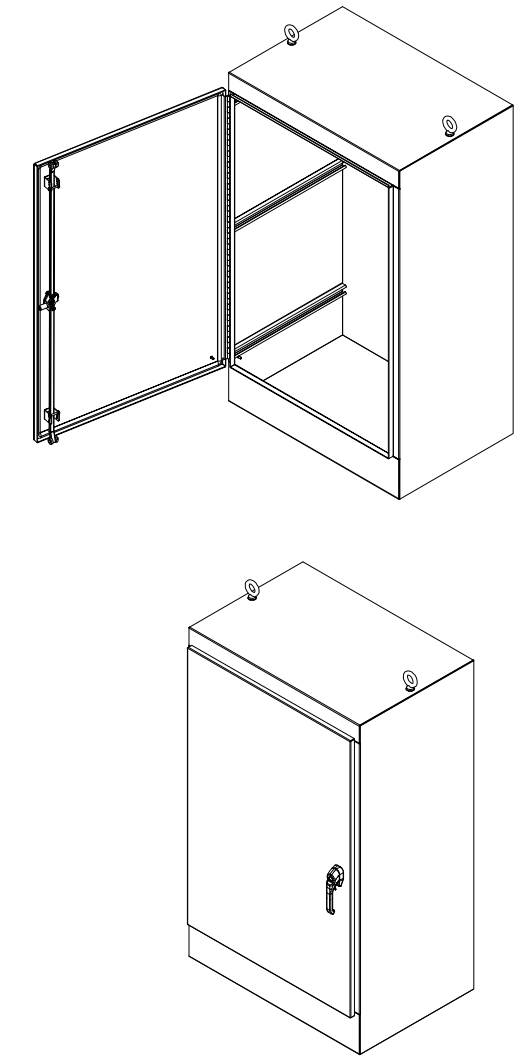


**SECTION B-B
(INSIDE RIGHT VIEW OF ENCLOSURE)**



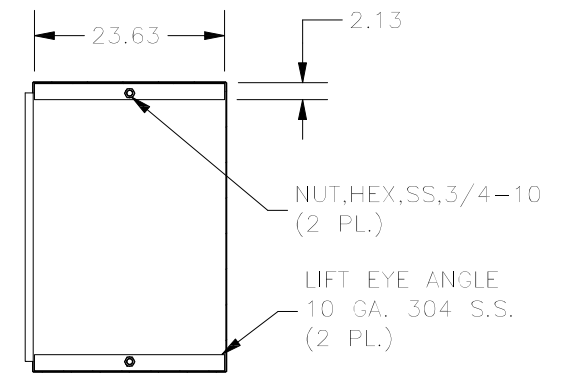
FRONT VIEW

**SECTION A-A
(INSIDE LEFT VIEW OF ENCLOSURE)**



BOTTOM VIEW

RIGHT SIDE VIEW



**SECTION C-C
(INSIDE TOP VIEW OF ENCLOSURE)**

PART#: WA603624SSFSN43PT
(DATA SUBJECT TO CHANGE WITHOUT NOTICE)