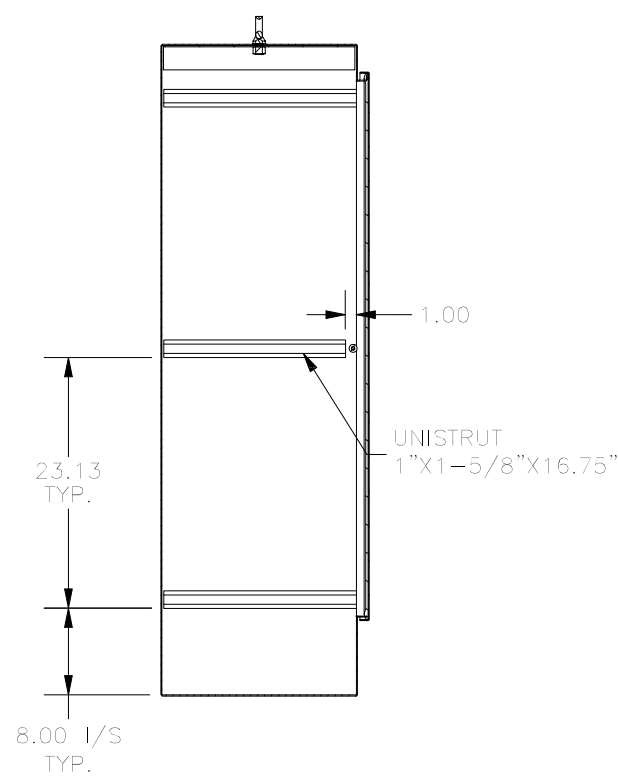
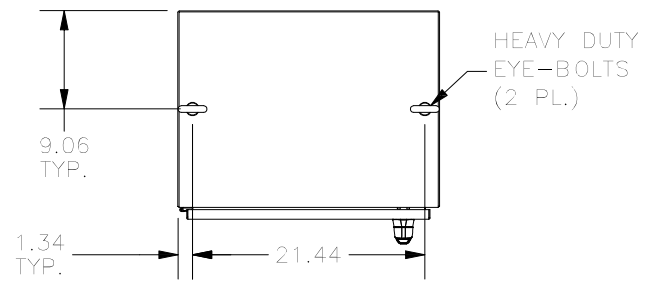


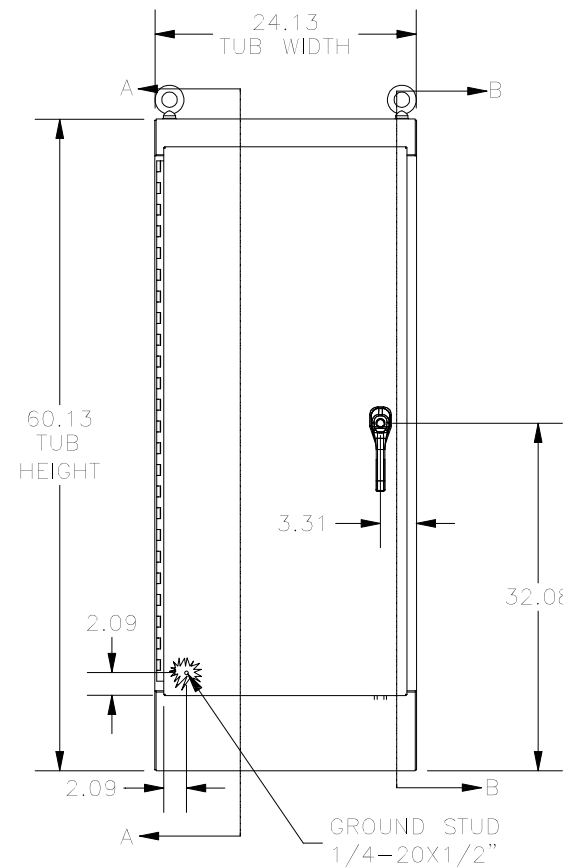
**LEFT SIDE VIEW**



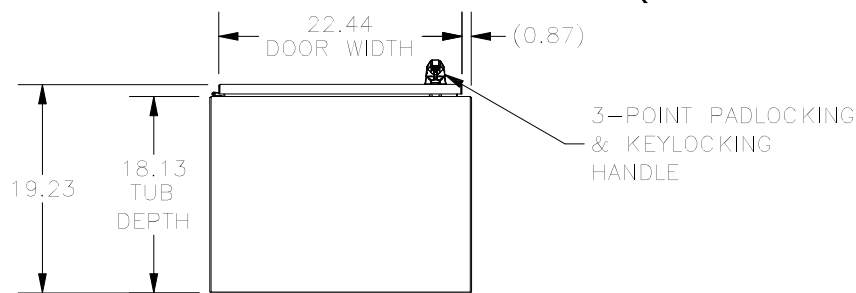
**SECTION B-B  
(INSIDE RIGHT VIEW OF ENCLOSURE)**



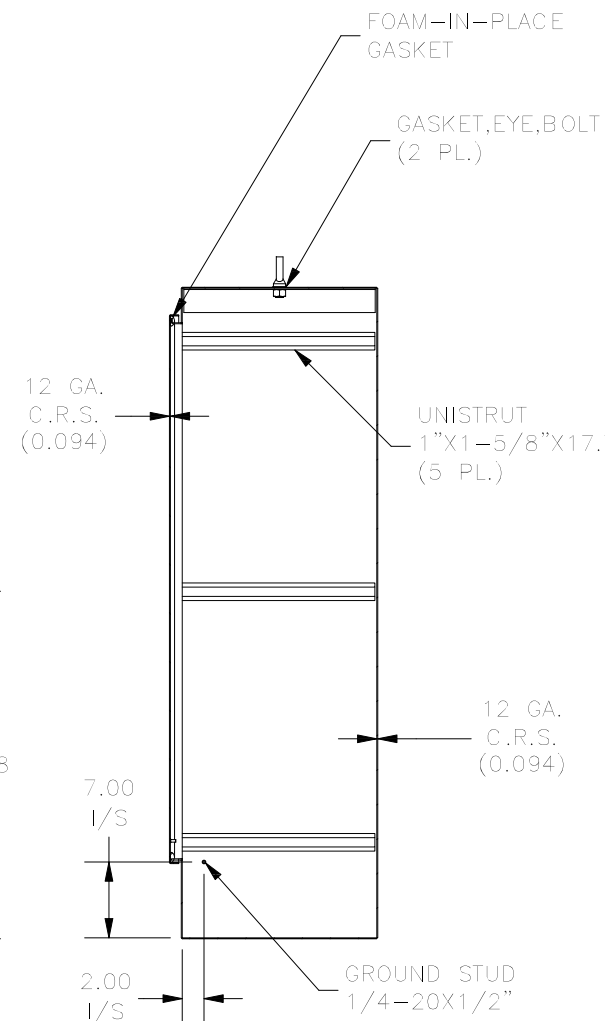
**TOP VIEW**



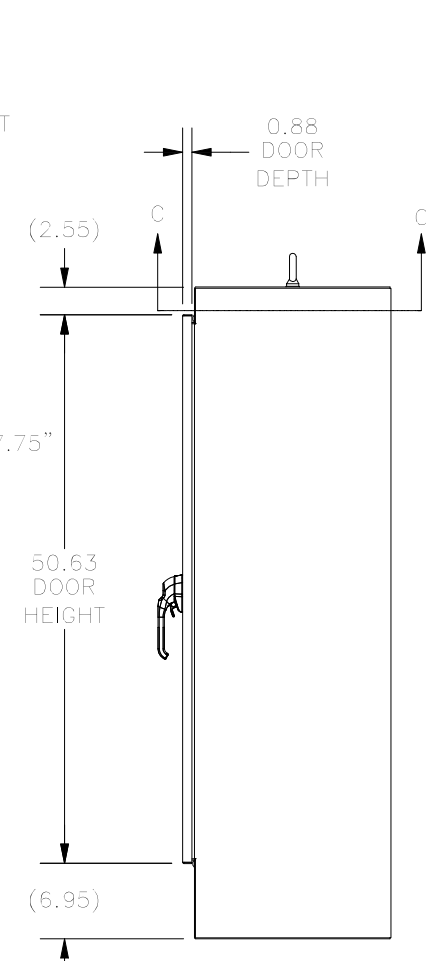
**FRONT VIEW**



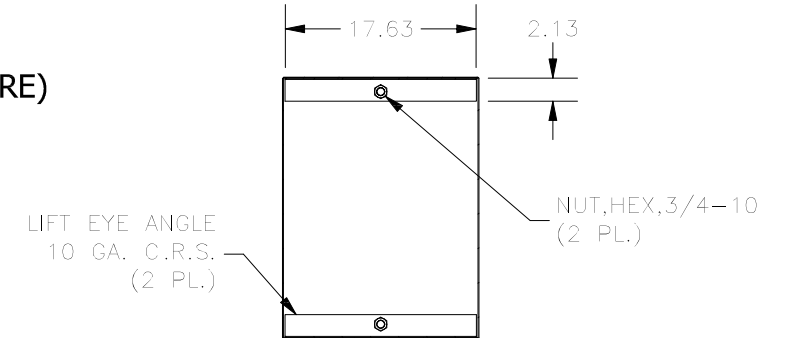
**BOTTOM VIEW**



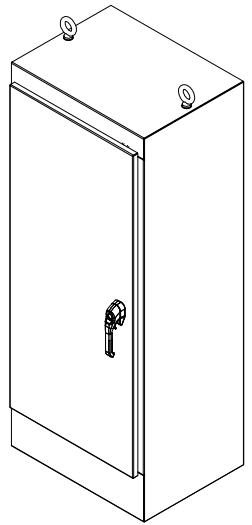
**SECTION A-A  
(INSIDE LEFT VIEW OF ENCLOSURE)**



**RIGHT SIDE VIEW**



**SECTION C-C  
(INSIDE TOP VIEW OF ENCLOSURE)**



PART#: WA602418FSN43PT  
(DATA SUBJECT TO CHANGE WITHOUT NOTICE)