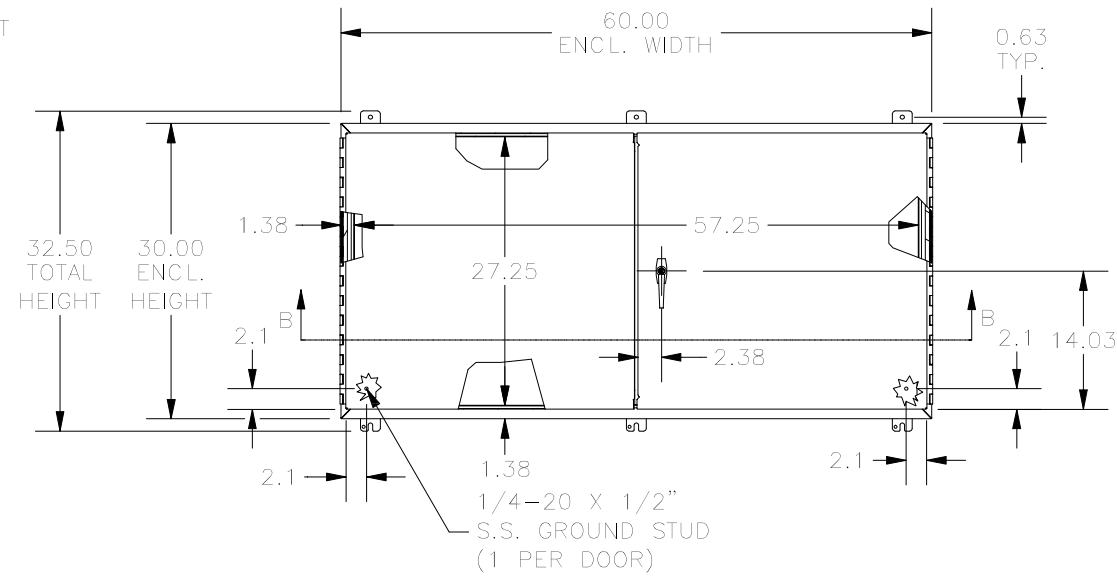
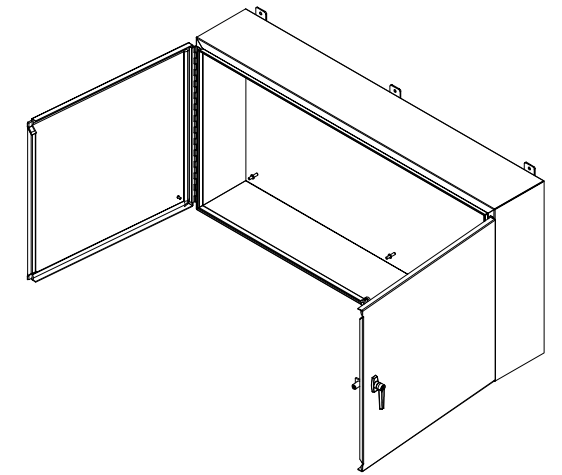
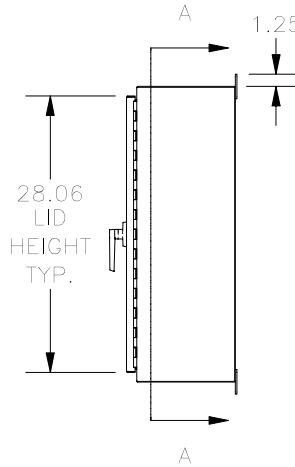


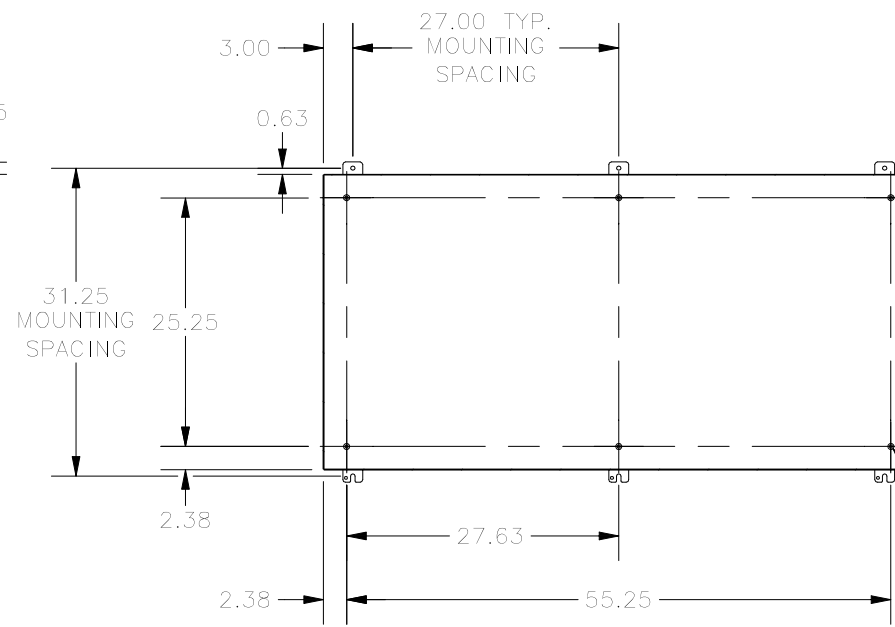
**TOP VIEW**



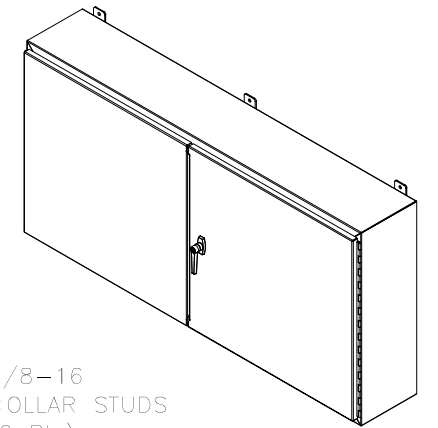
**FRONT VIEW**



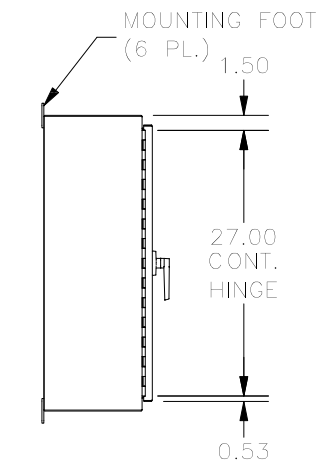
**RIGHT SIDE VIEW**



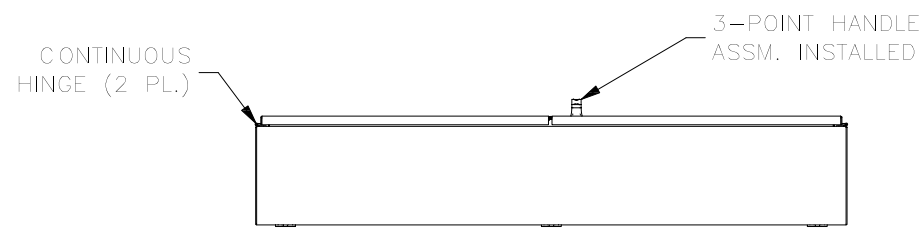
**SECTION A-A  
(INSIDE BACK VIEW OF ENCL.)**



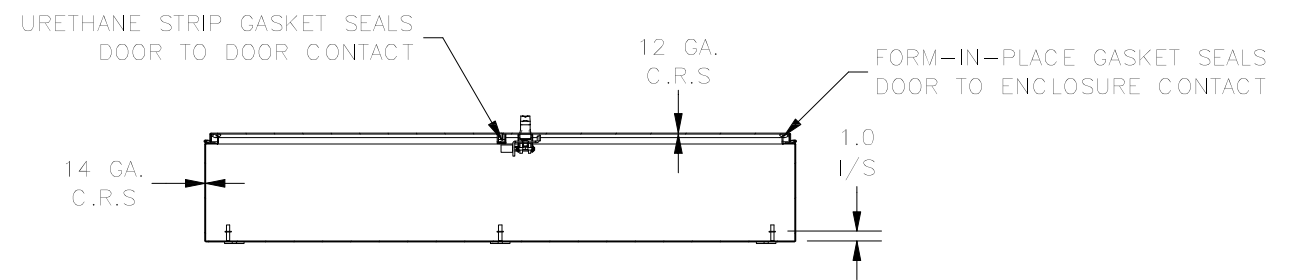
3/8-16  
COLLAR STUDS  
(6 PL.)



**LEFT SIDE VIEW**



**BOTTOM VIEW**



**SECTION B-B  
(INSIDE VIEW OF TOP)**

PART#: WA306010WF  
(DATA SUBJECT TO CHANGE WITHOUT NOTICE)

THIS DRAWING IS PROPERTY OF HUBBELL INC. WIEGMANN  
ALL INFORMATION IS PROPRIETARY AND NOT TO BE DUPLICATED