

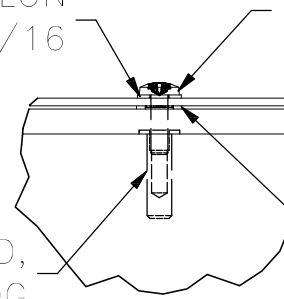
TOP VIEW

WASHER, NYLON
FLAT, 3/16 X 7/16

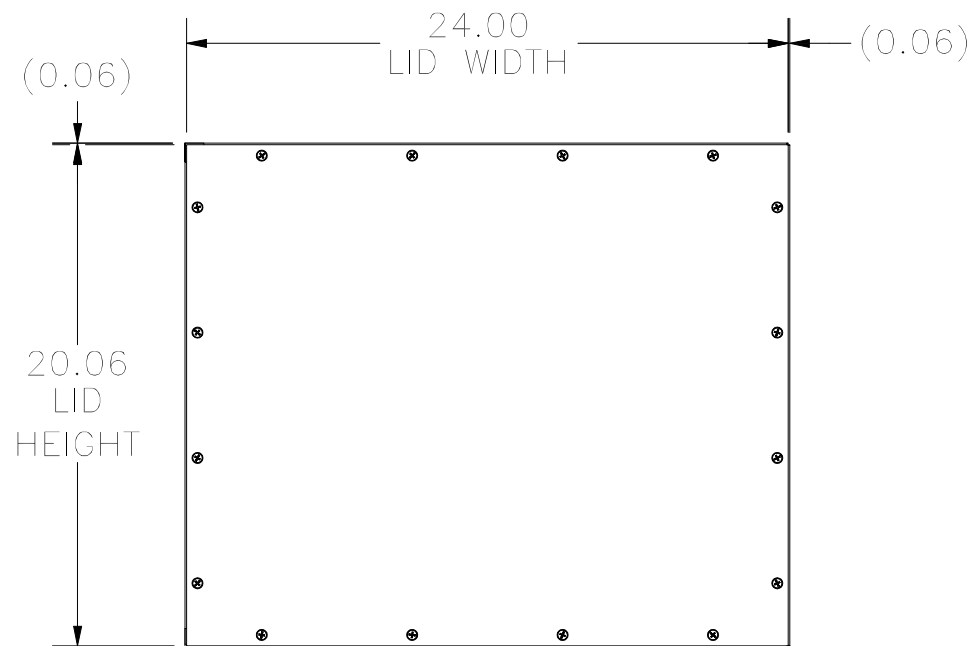
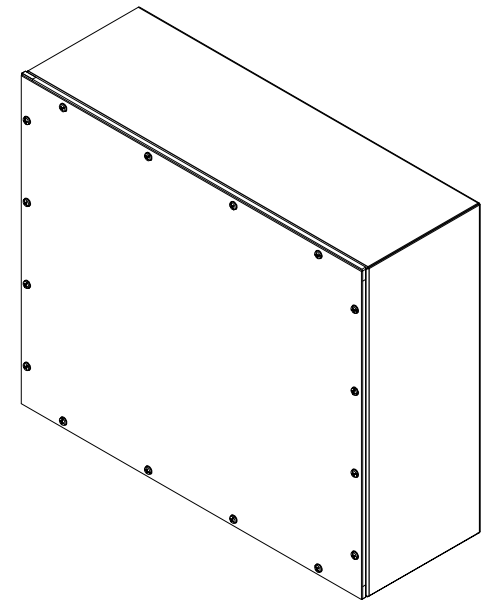
SCREW, SS, CAPTIVE
10-32 X 19/32

NUT, RIV C.END,
10-32 X .80-.130G

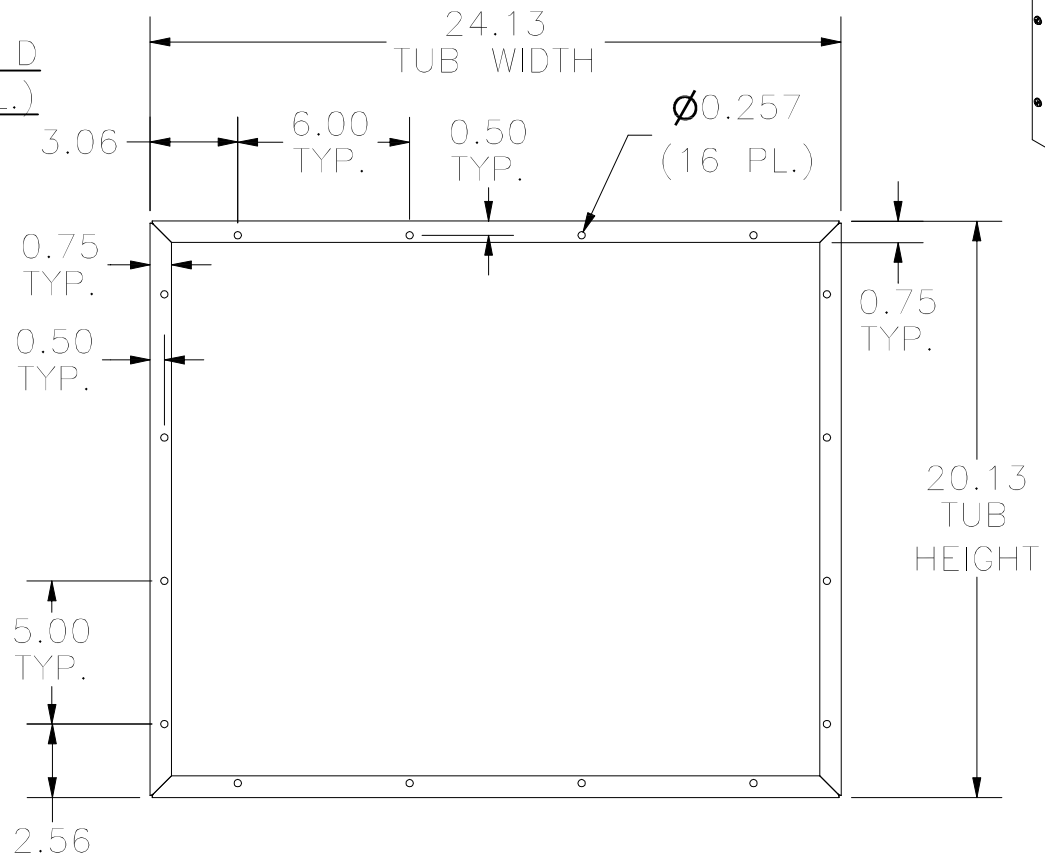
RETAINING WASHER
NYLON, .453 O.D.



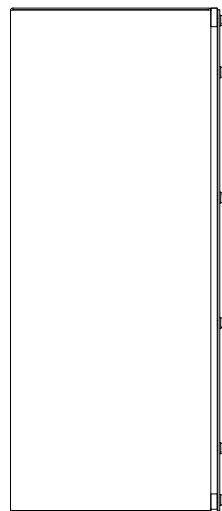
DETAIL D
(16 PL.)



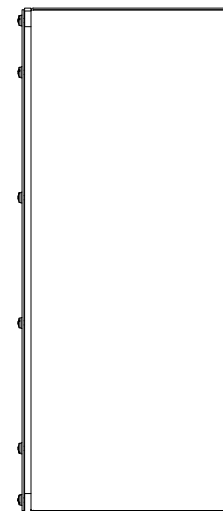
FRONT VIEW



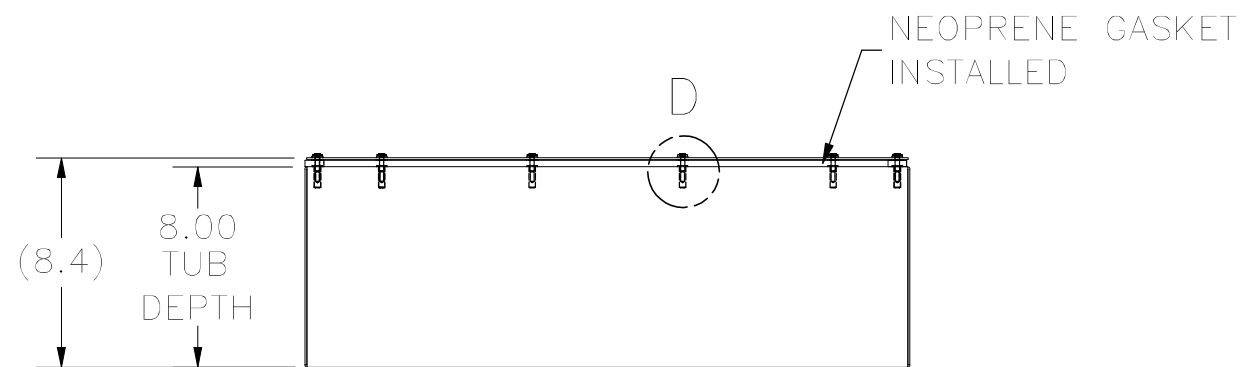
FRONT VIEW OF TUB



LEFT SIDE VIEW



RIGHT SIDE VIEW



BOTTOM VIEW

PART#: WA202408GSC
(DATA SUBJECT TO CHANGE WITHOUT NOTICE)

THIS DRAWING IS PROPERTY OF HUBBELL INC. WIEGMANN
ALL INFORMATION IS PROPRIETARY AND NOT TO BE DUPLICATED