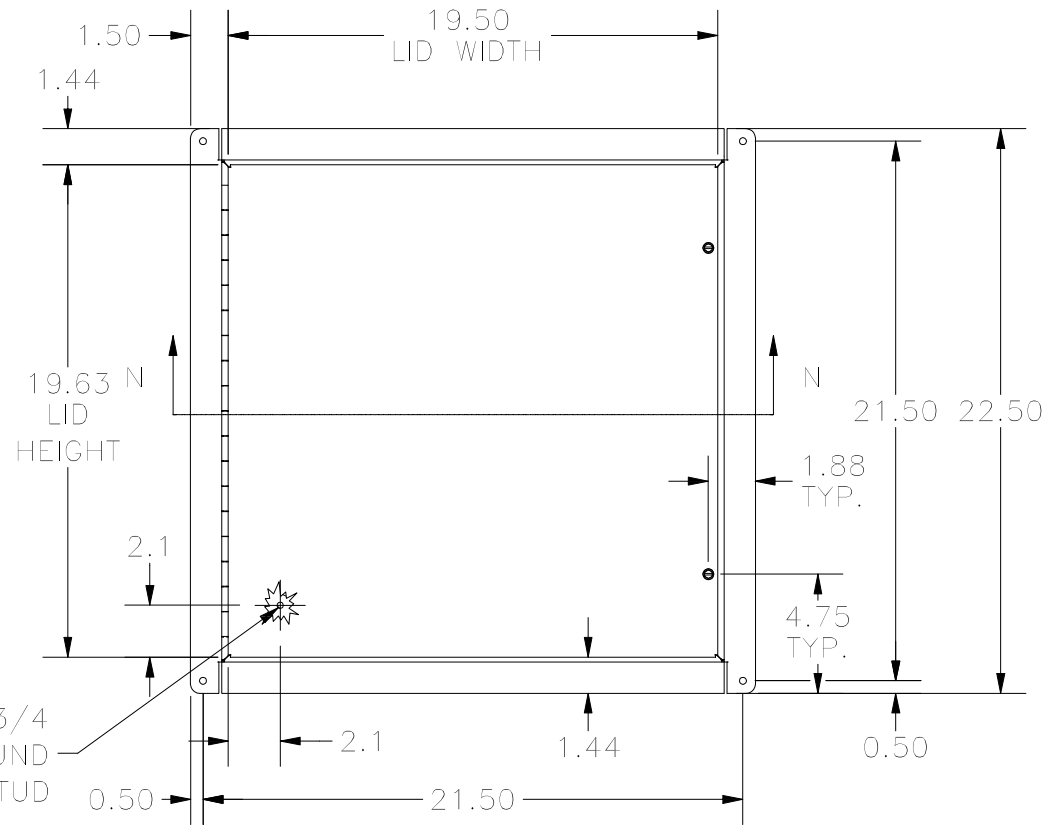
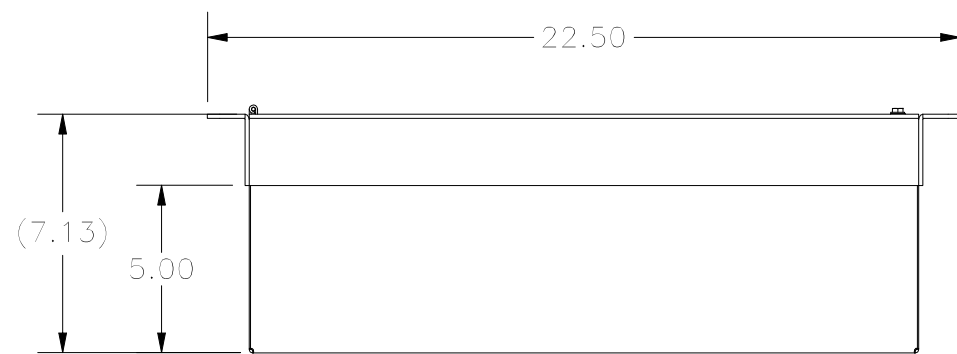


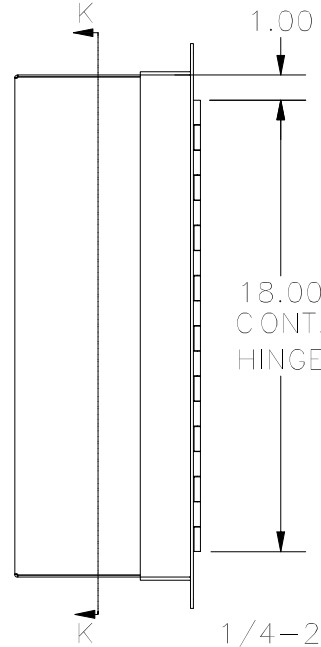
TOP VIEW



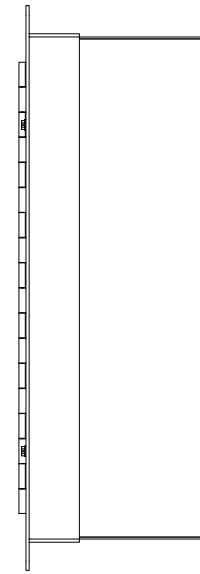
FRONT VIEW



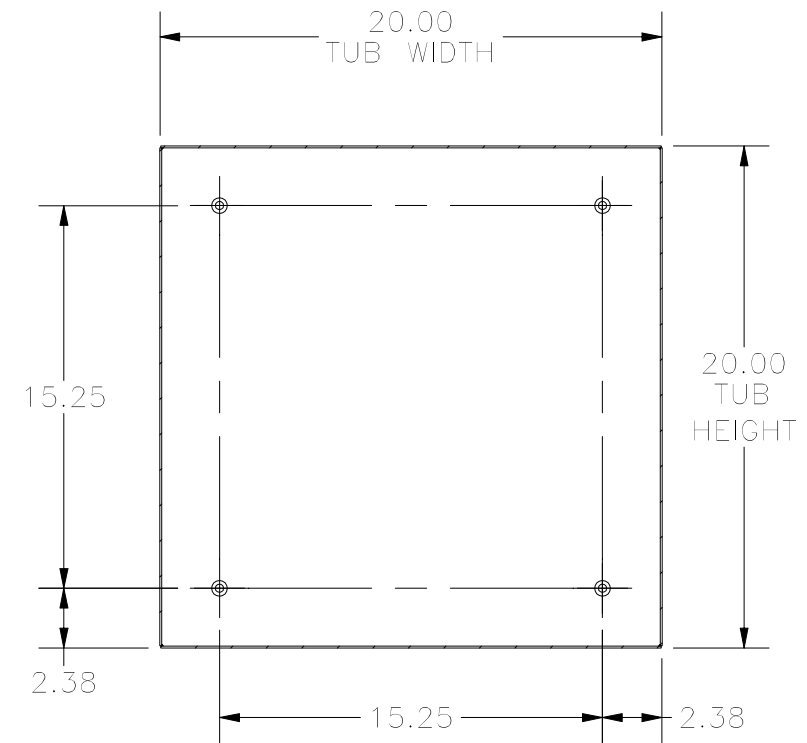
BOTTOM VIEW



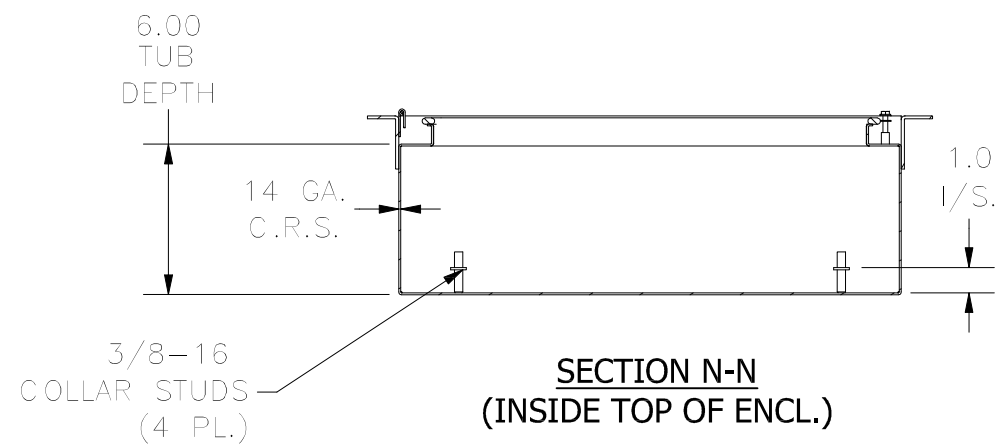
LEFT SIDE VIEW



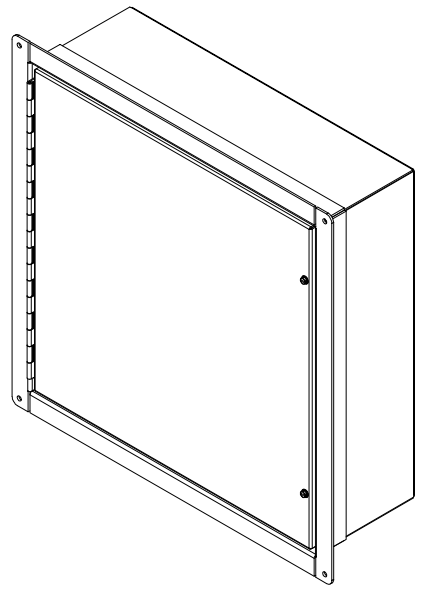
RIGHT SIDE VIEW



SECTION K-K
(INSIDE BACK OF ENCL.)



SECTION N-N
(INSIDE TOP OF ENCL.)



PART#: WA202006FM
(DATA SUBJECT TO CHANGE WITHOUT NOTICE)

THIS DRAWING IS PROPERTY OF HUBBELL INC. WIEGMANN
ALL INFORMATION IS PROPRIETARY AND NOT TO BE DUPLICATED