

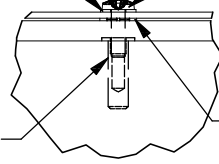
TOP VIEW

WASHER, NYLON
FLAT, 3/16 X 7/16

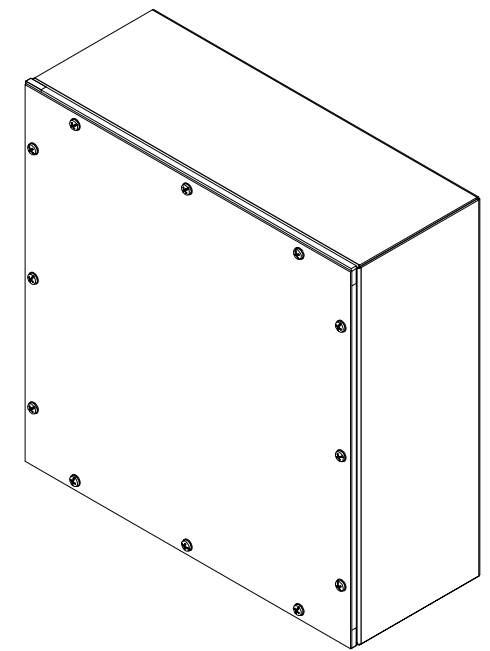
SCREW, S.S., CAPTIVE
10-32 X 19/32

NUT, RIV, C.END
10-32 X .80-.130G

RETAINING WASHER
NYLON, .453 O.D.

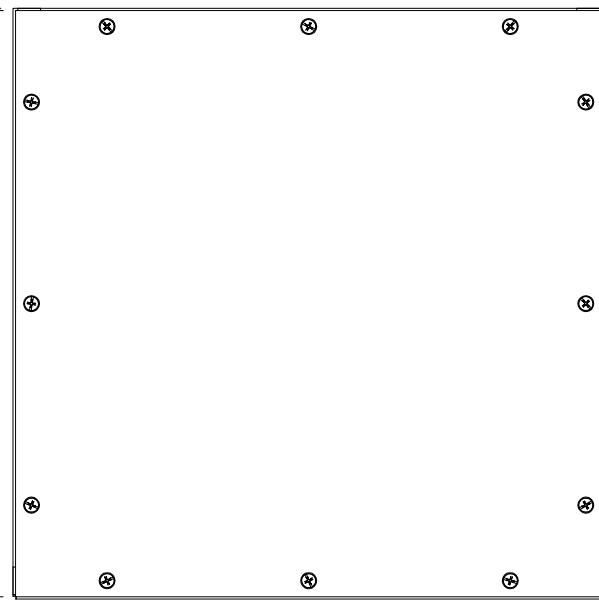
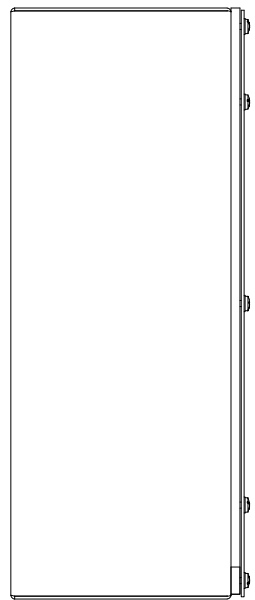


DETAIL D
(12 PL.)



(0.06)

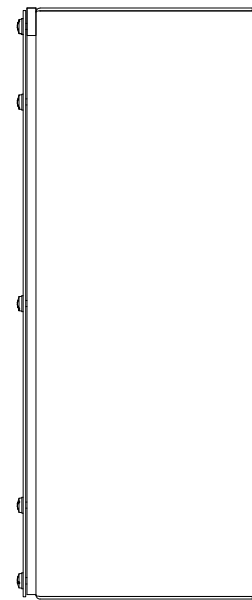
16.00
LID
HEIGHT



16.00
LID
WIDTH

(0.06)

FRONT VIEW



RIGHT SIDE VIEW

2.56
TYP.

5.50
TYP.

0.50
TYP.

2.56
TYP.

0.75
TYP.

16.13
TUB
HEIGHT

5.50
TYP.

0.50
TYP.

Ø0.257
(12 PL.)



0.75
TYP.

16.13
TUB
WIDTH

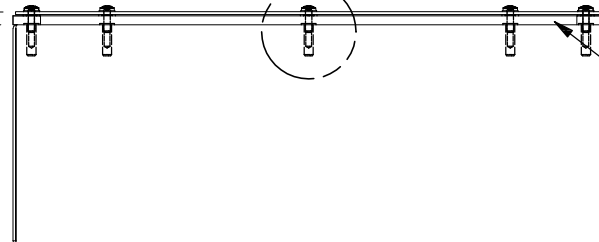
FRONT VIEW TUB

LEFT SIDE VIEW

D

(6.4)

6.00
TUB
DEPTH



NEOPRENE GASKET
INSTALLED

BOTTOM VIEW

PART#: WA161606GSC
(DATA SUBJECT TO CHANGE WITHOUT NOTICE)

THIS DRAWING IS PROPERTY OF HUBBELL INC. WIEGMANN
ALL INFORMATION IS PROPRIETARY AND NOT TO BE DUPLICATED