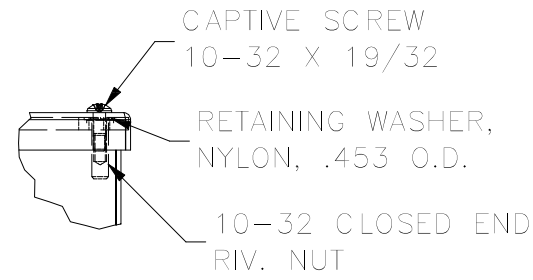
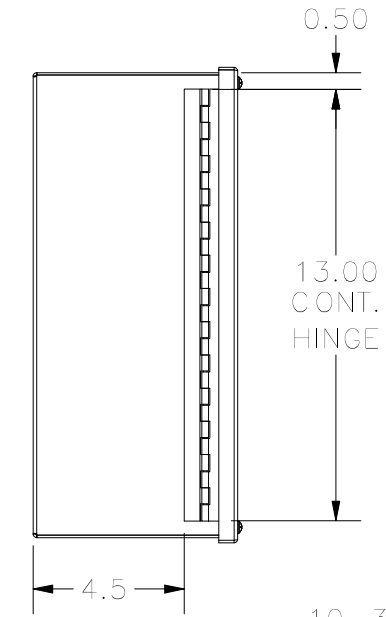
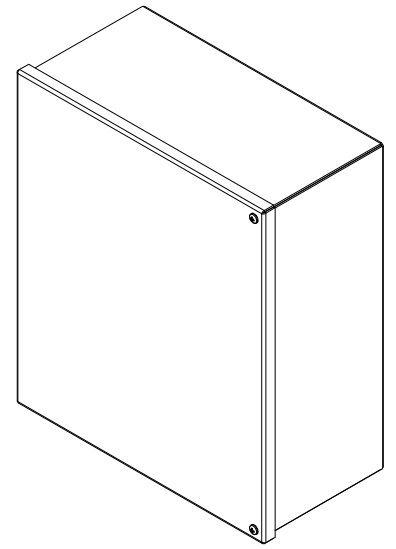


**TOP VIEW**

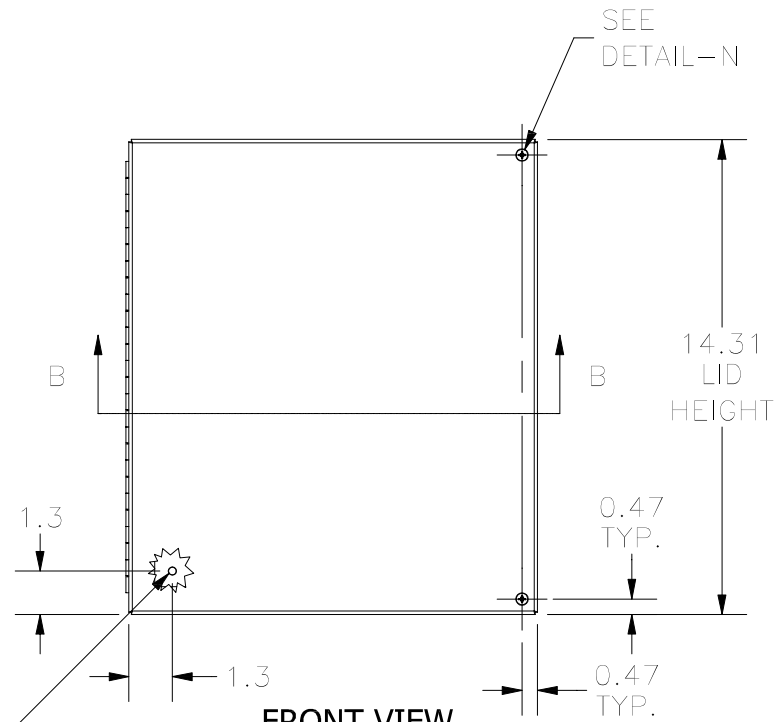


**DETAIL N  
(2 PL.)**

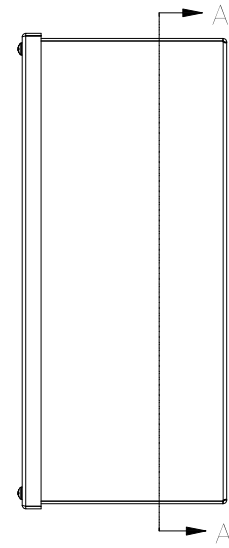


**LEFT SIDE VIEW**

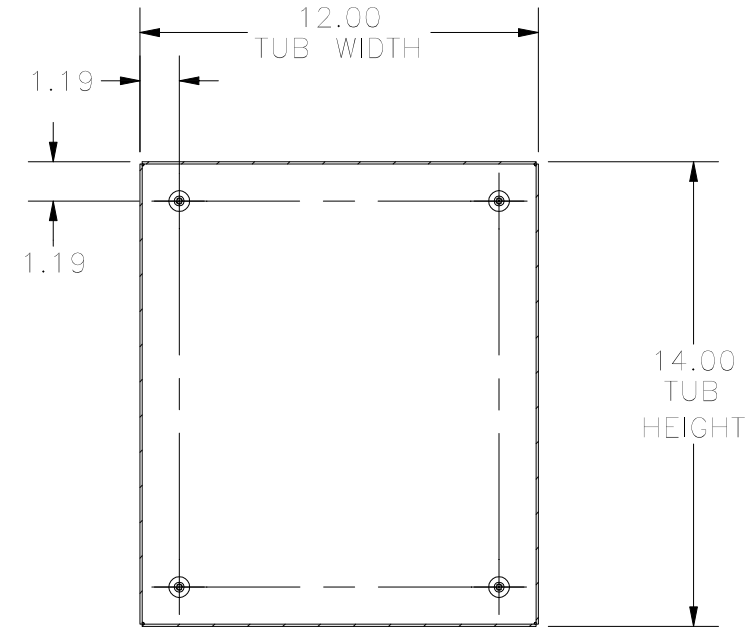
10-32 X 1/2  
COPPER  
GROUND STUD



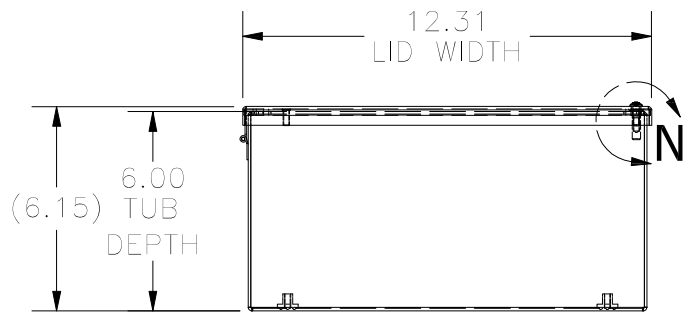
**FRONT VIEW**



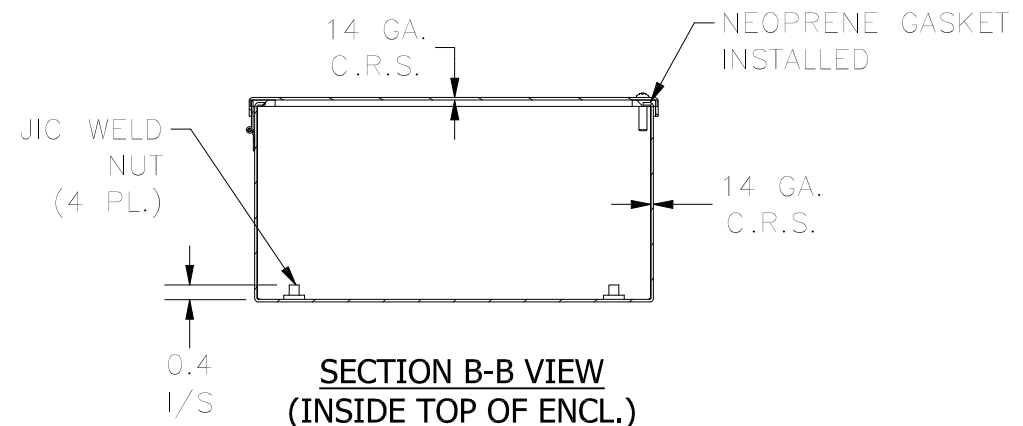
**RIGHT SIDE VIEW**



**SECTION A-A VIEW  
(INSIDE BACK OF ENCL.)**



**BOTTOM VIEW**



**SECTION B-B VIEW  
(INSIDE TOP OF ENCL.)**

PART#: WA141206GIE  
(DATA SUBJECT TO CHANGE WITHOUT NOTICE)

THIS DRAWING IS PROPERTY OF HUBBELL INC. WIEGMANN  
ALL INFORMATION IS PROPRIETARY AND NOT TO BE DUPLICATED