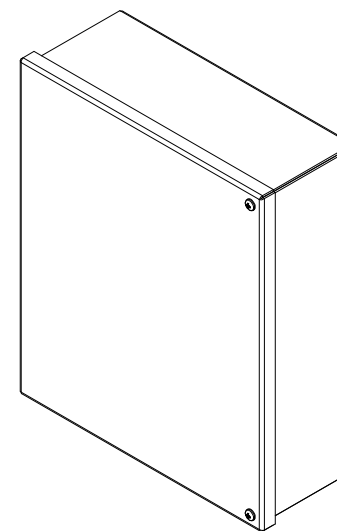
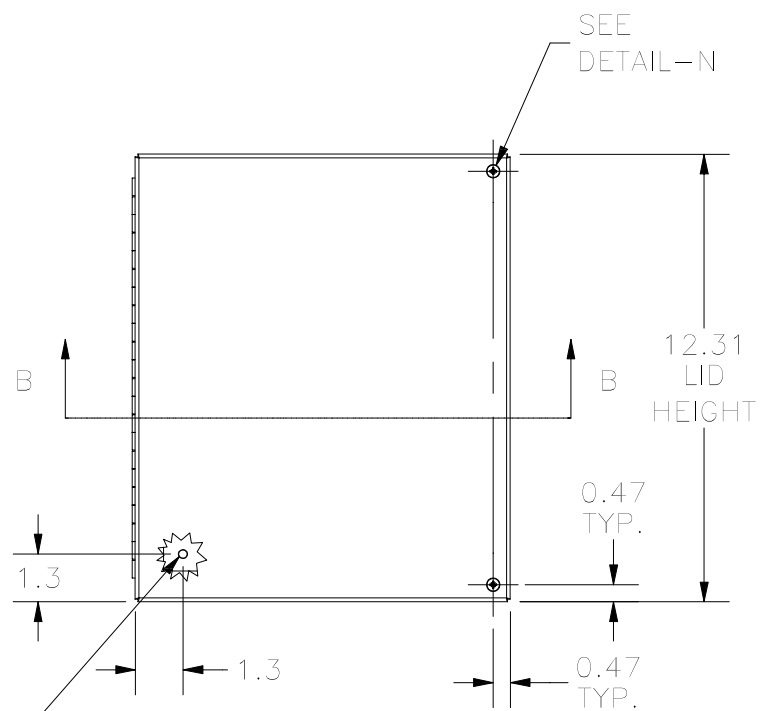


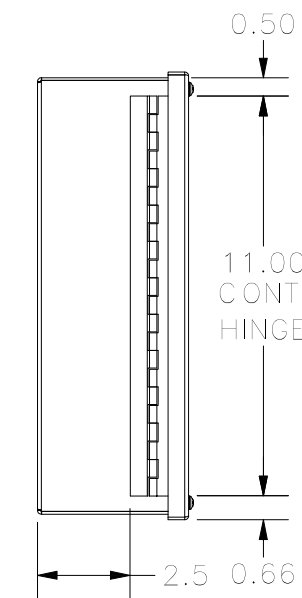
DETAIL N
(2 PL.)



TOP VIEW

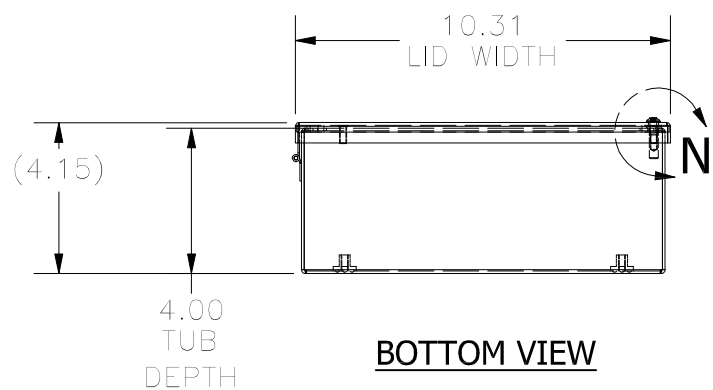


FRONT VIEW

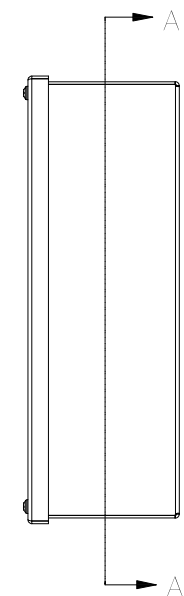


LEFT SIDE VIEW

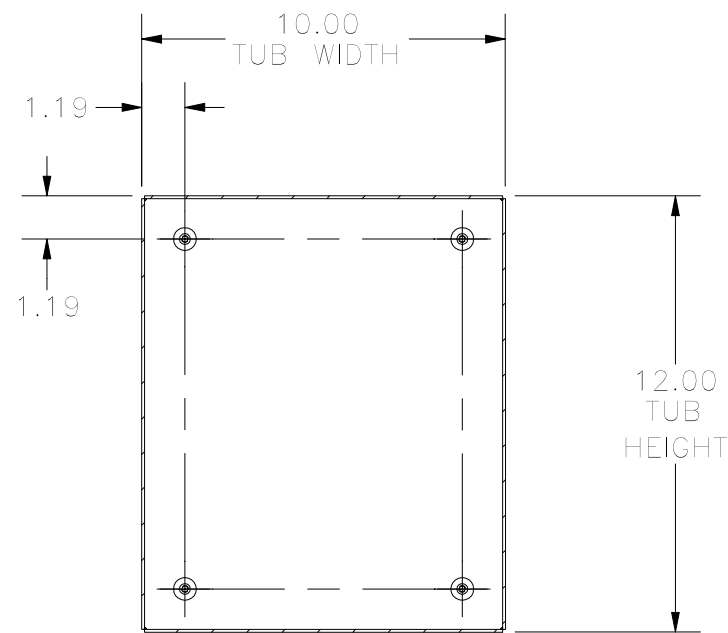
10-32 X 1/2
COPPER
GROUND STUD



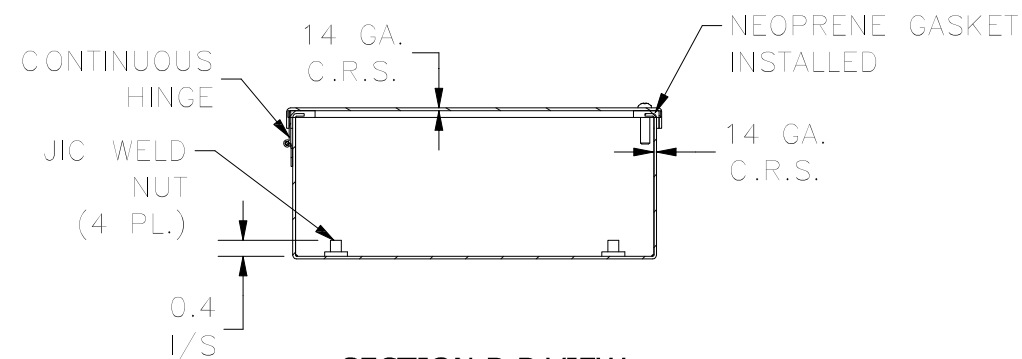
BOTTOM VIEW



RIGHT SIDE VIEW



SECTION A-A VIEW
(INSIDE BACK OF ENCL.)



SECTION B-B VIEW
(INSIDE TOP OF ENCL.)

PART#: WA121004GIE
(DATA SUBJECT TO CHANGE WITHOUT NOTICE)

THIS DRAWING IS PROPERTY OF HUBBELL INC. WIEGMANN
ALL INFORMATION IS PROPRIETARY AND NOT TO BE DUPLICATED