

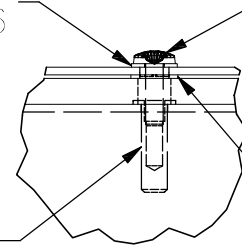
TOP VIEW

WASHER, NYLON,
FLAT, 3/16 X 7/16

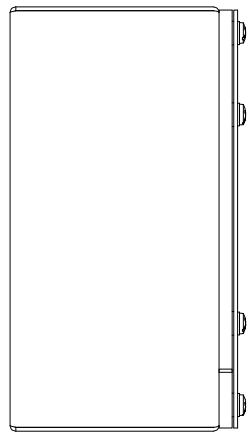
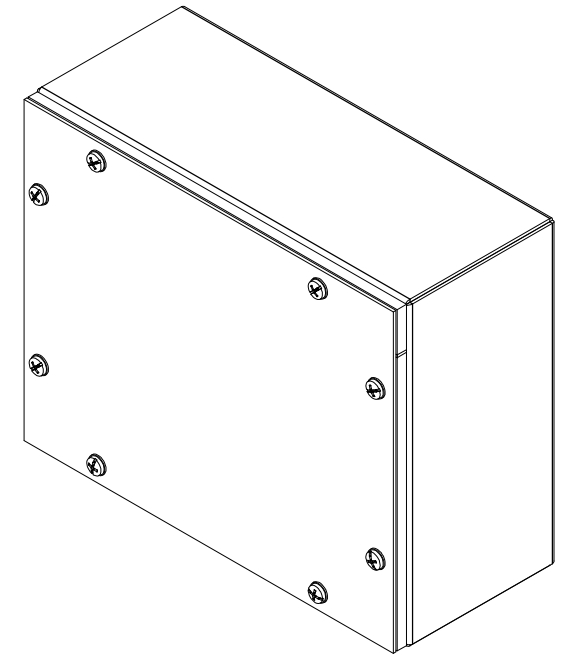
SCREW, S.S., CAPTIVE
10-32 X 19/32

NUT, RIV, C.END.
10-32 X 0.80-.130G

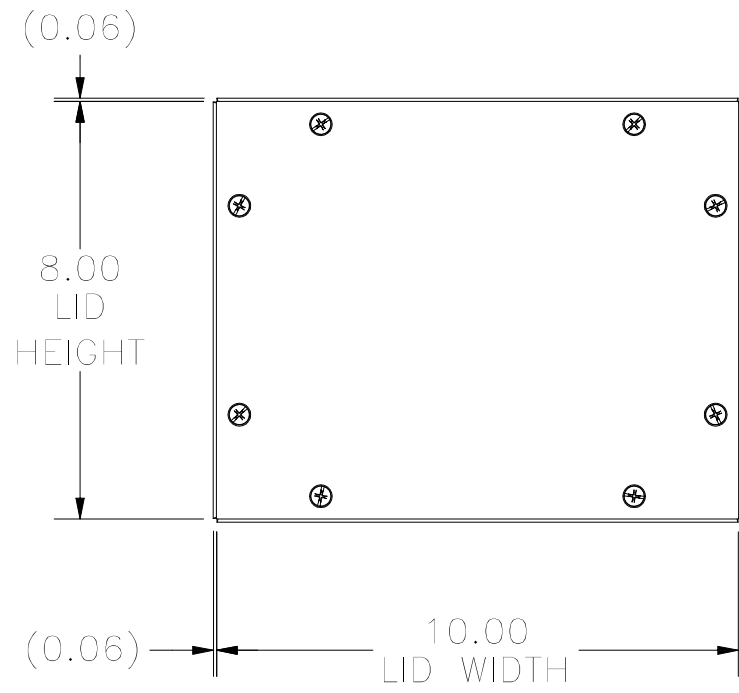
RETAINING WASHER,
NYLON, .453 O.D.



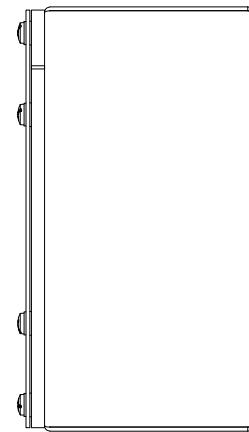
DETAIL D
(8 PL.)



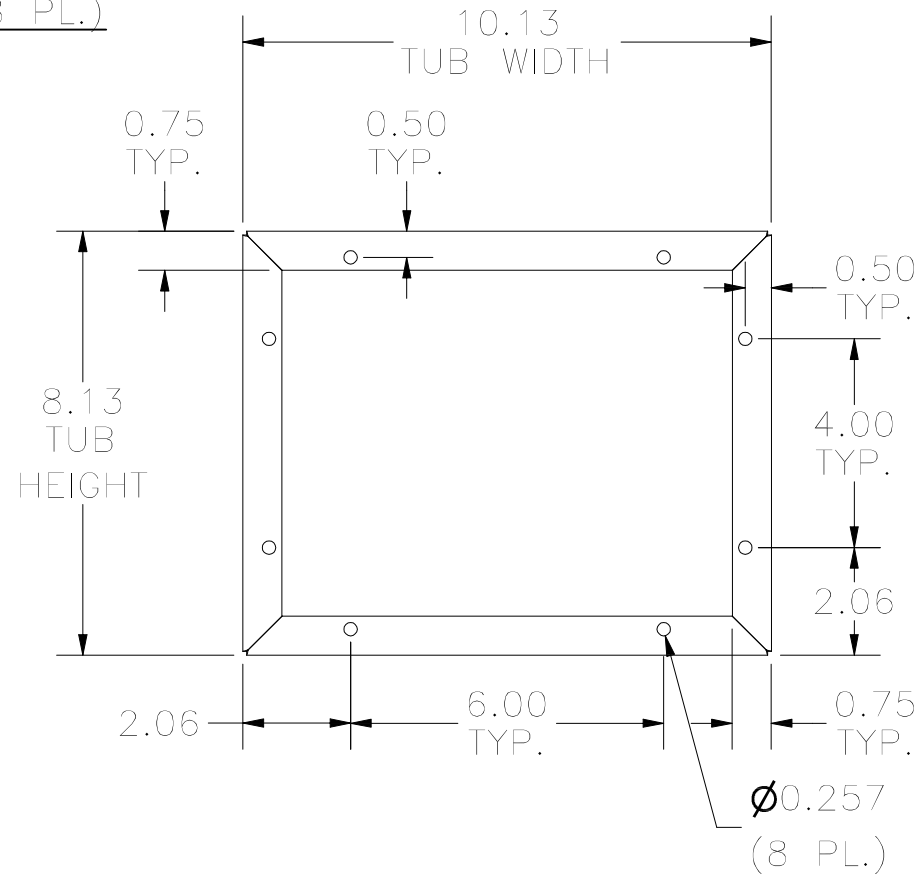
LEFT VIEW



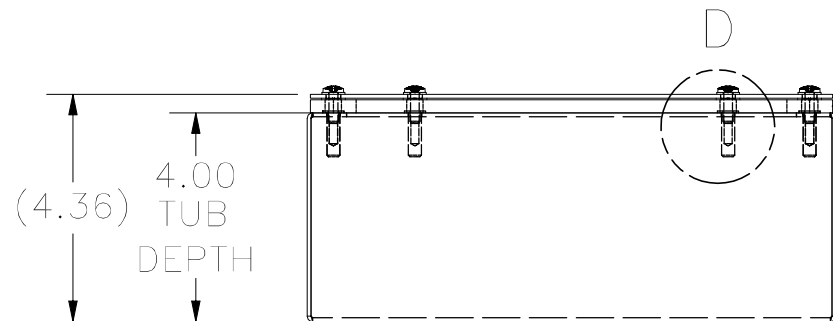
FRONT VIEW



RIGHT VIEW



FRONT VIEW TUB



BOTTOM VIEW

NEOPRENE GASKET
INSTALLED

PART#: WA081004GSC
(DATA SUBJECT TO CHANGE WITHOUT NOTICE)

THIS DRAWING IS PROPERTY OF HUBBELL INC. WIEGMANN
ALL INFORMATION IS PROPRIETARY AND NOT TO BE DUPLICATED