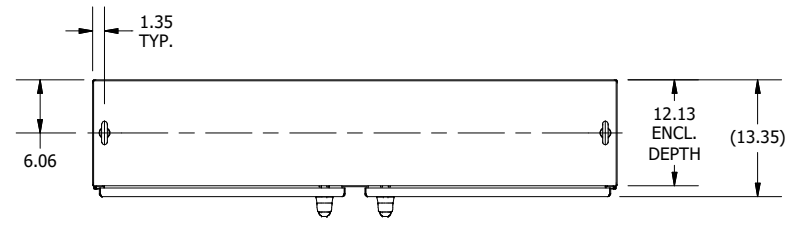
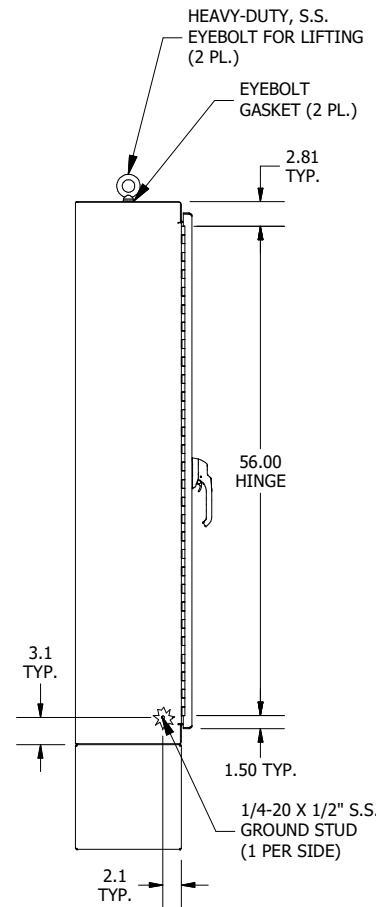


PART #: SSN4D6260123PT
(DATA SUBJECT TO CHANGE WITHOUT NOTICE)

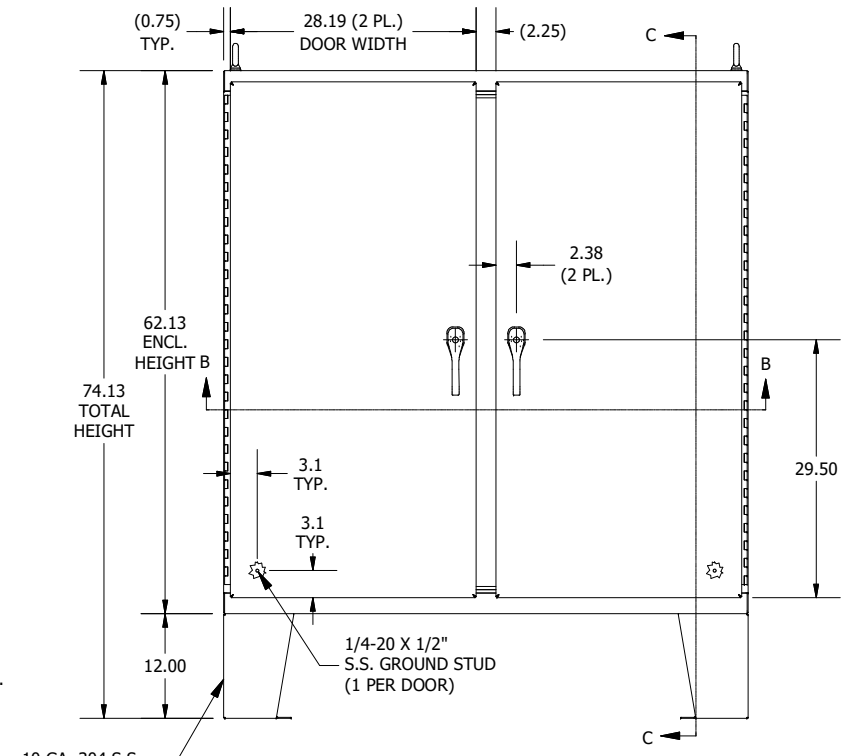
THIS DRAWING IS PROPERTY OF HUBBELL INC. WIEGMANN
 ALL INFORMATION IS PROPRIETARY AND NOT TO BE DUPLICATED



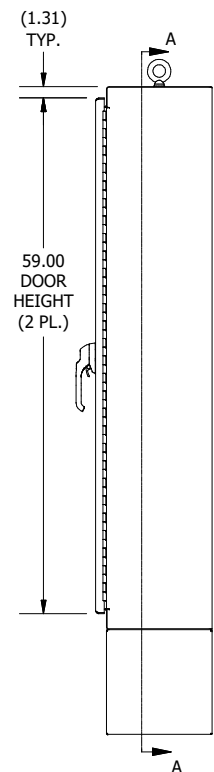
TOP VIEW



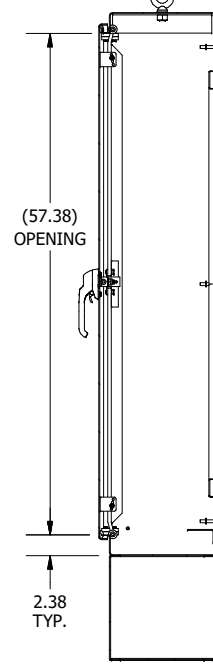
LEFT SIDE VIEW



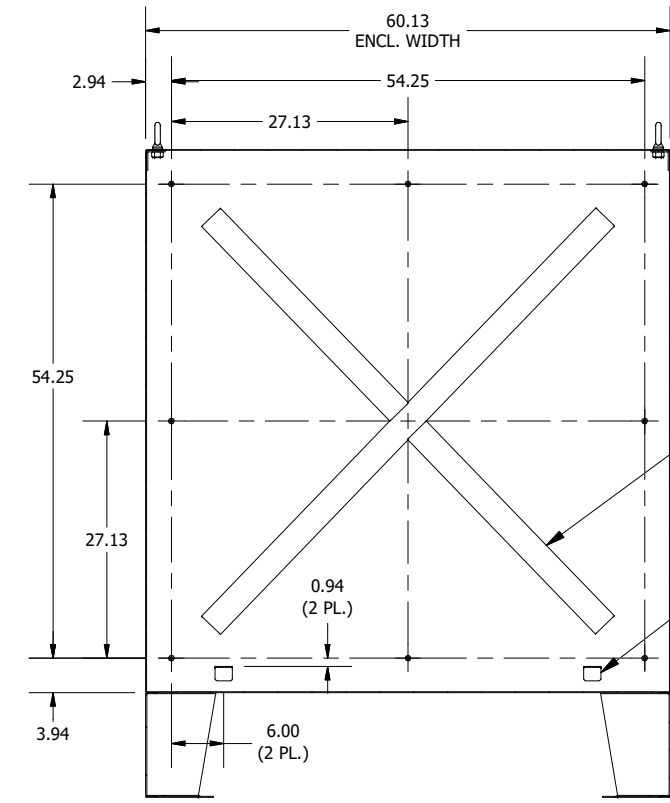
FRONT VIEW



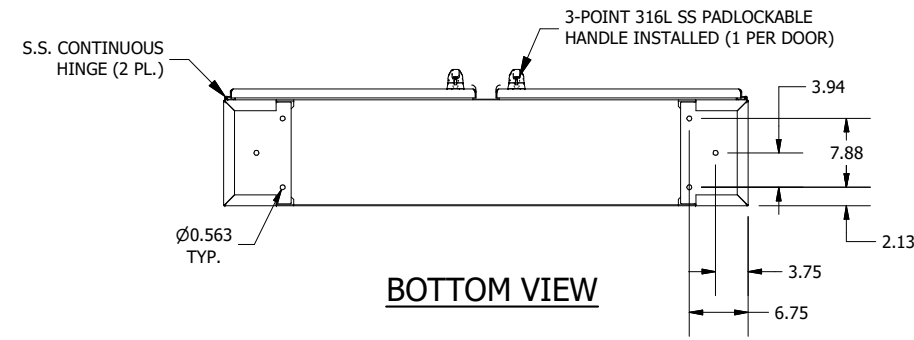
RIGHT SIDE VIEW



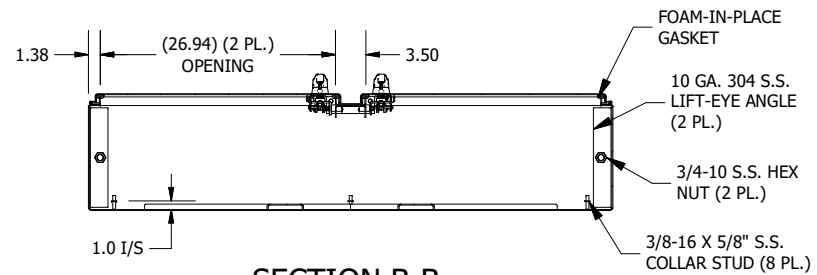
SECTION C-C
(INSIDE LEFT OF ENCL.)



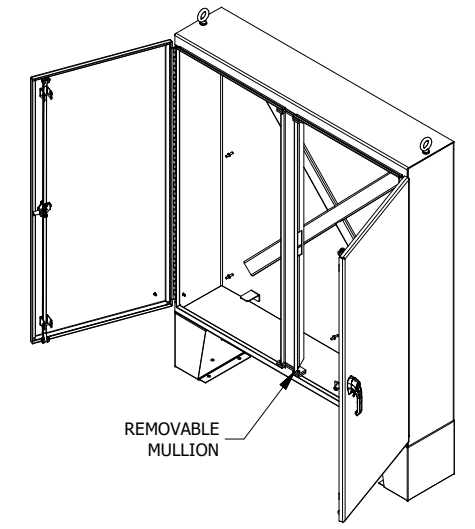
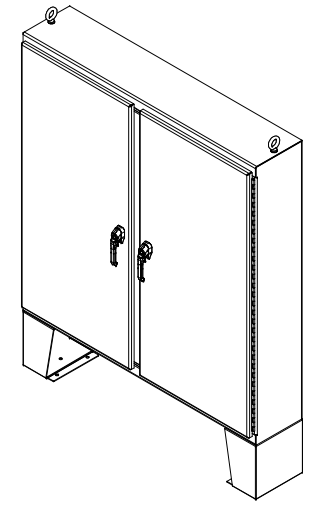
SECTION A-A
(INSIDE LEFT OF ENCL.)



BOTTOM VIEW



SECTION B-B
(INSIDE TOP OF ENCL.)



12 GA. S.S. CROSS STIFFENERS WELDED TO INSIDE BACK OF ENCL.

10 GA. S.S. PANEL SUPPORT BRACKET (2 PL.)

REMOVABLE MULLION